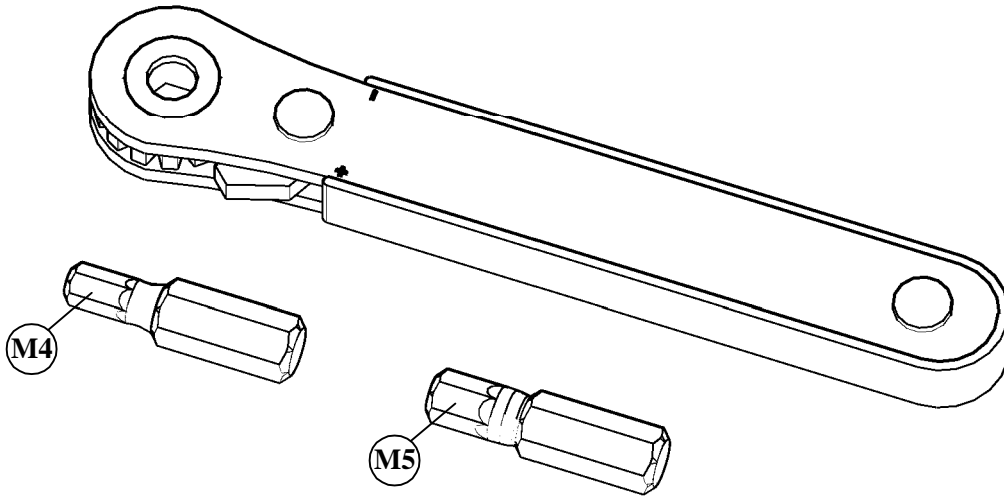
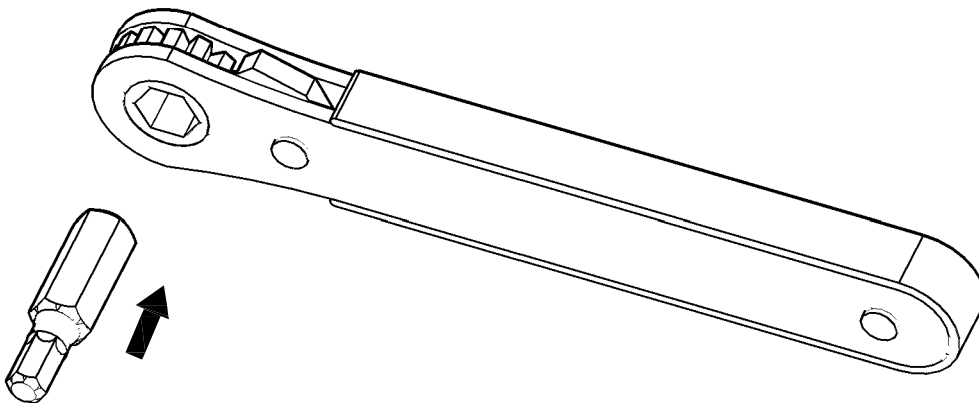


# ASSEMBLY INSTRUCTIONS

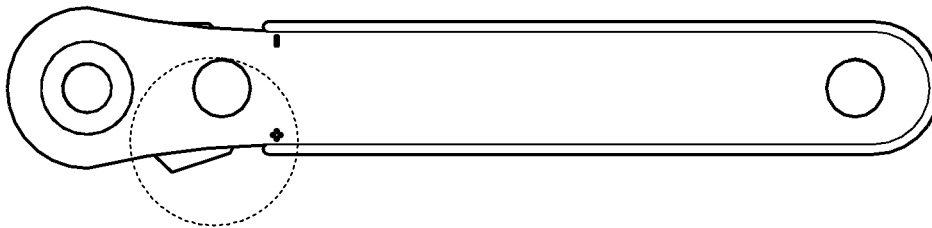
Remarks : Ratchet Tool has 2 type head:  
Bigger Head is M5 can tightened JCBB Bolts only.  
Smaller Head is M4 can tightened JCBC Bolts only.



Remarks : When want to assembly take the head push into Ratchet Tool.



Remarks : Positive sign mean is loosen bolts.



Remarks : Negative sign mean is tightened bolts.

