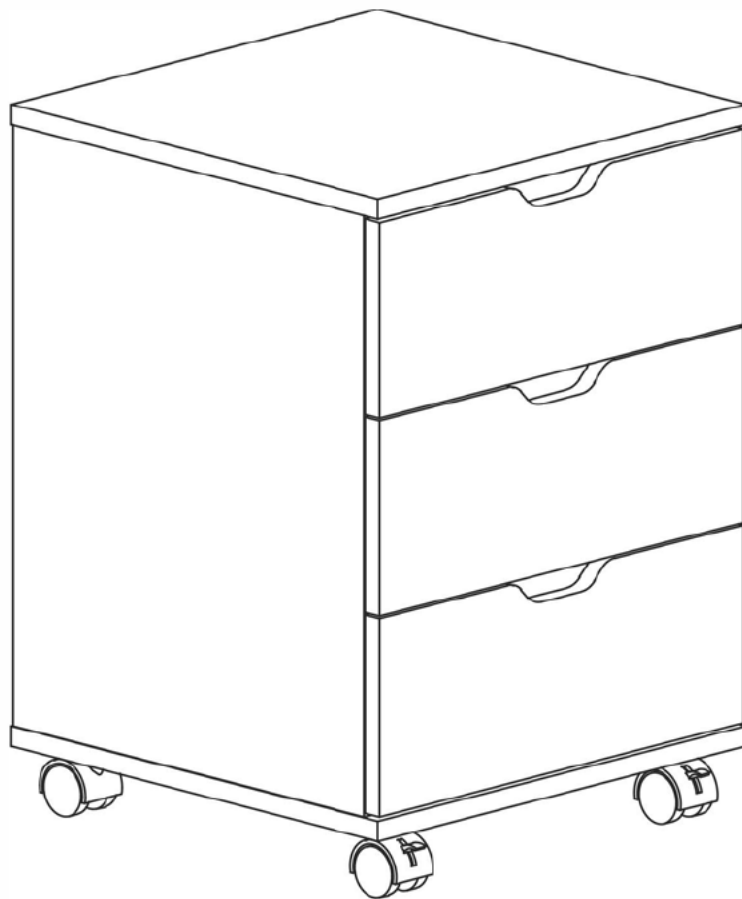


# Assembly Manual

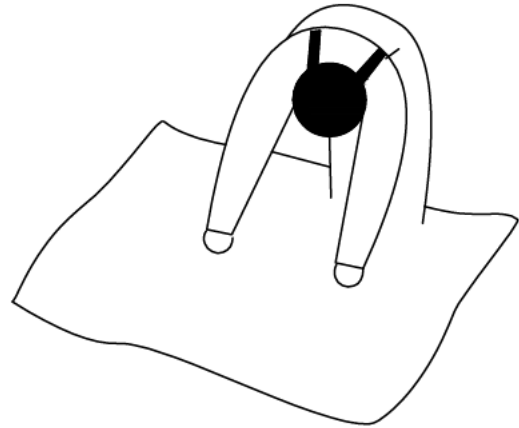
## 3 Drawer Pedestal



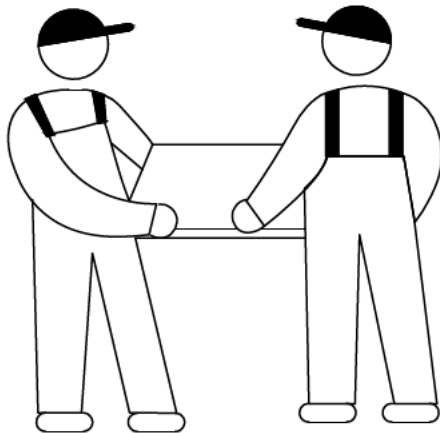
# Assembly note



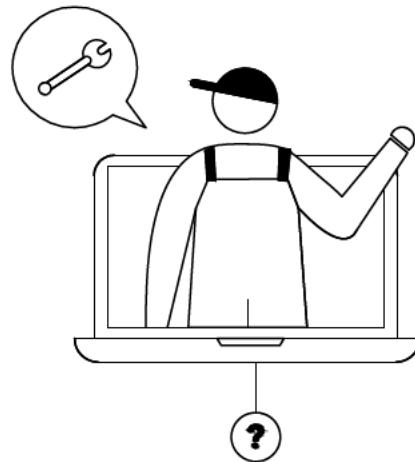
Put a protective mat on the ground and handle the product with care.




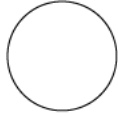
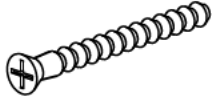
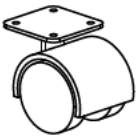







Two people are preferred.



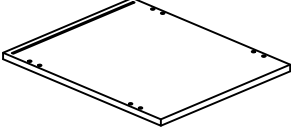
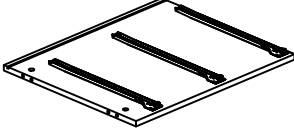
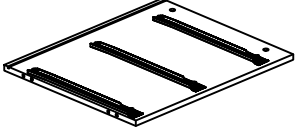
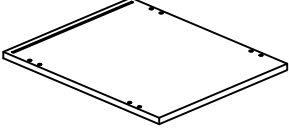
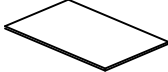

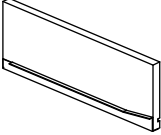

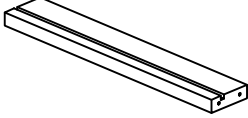
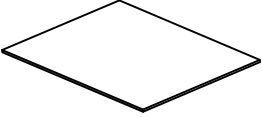
Contact us if you have any problems.



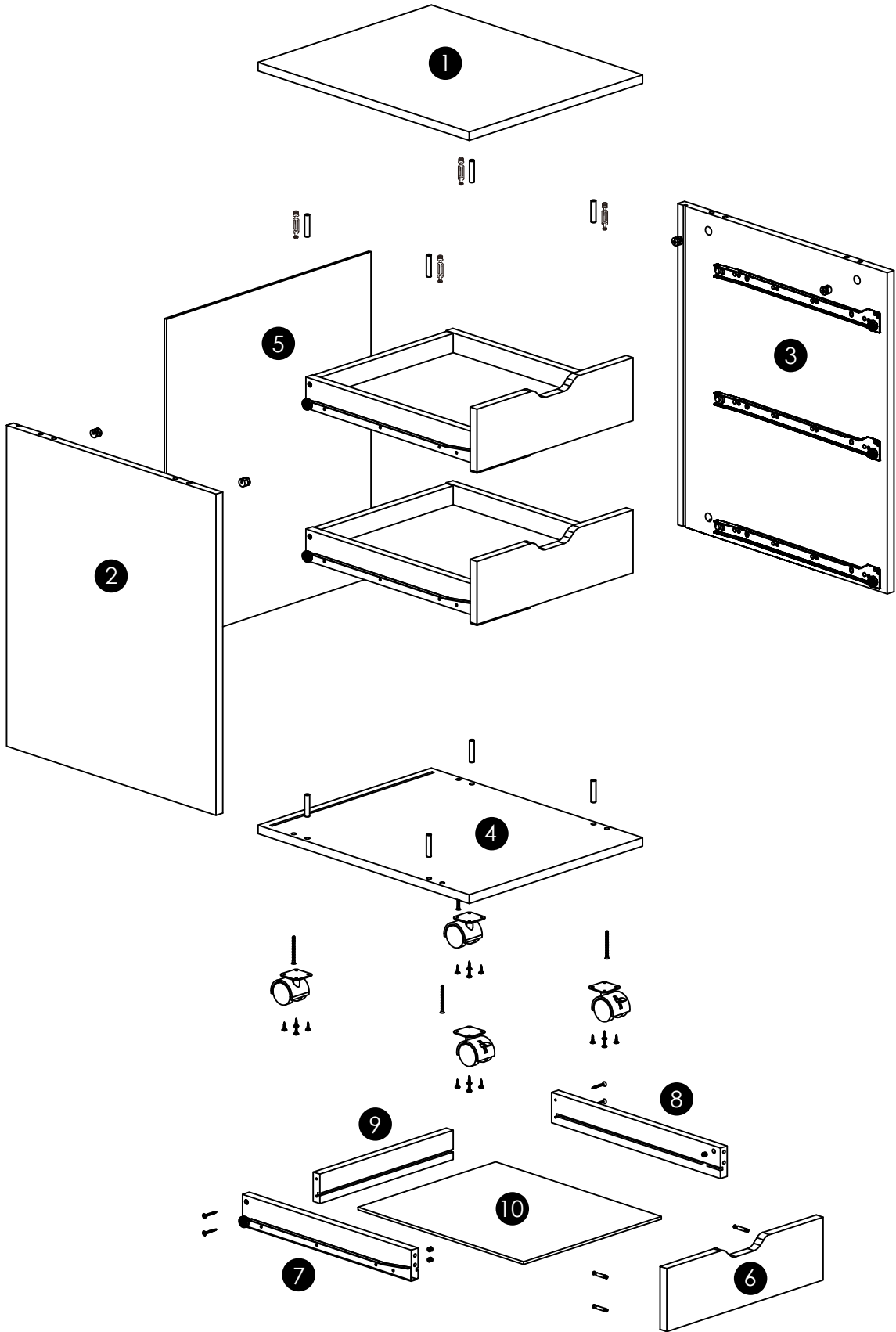
# Accessory List

<p><b>A</b></p> 	<p><b>B</b></p> 	<p><b>C</b></p> 
<p>Screw (3.5*14mm) 16 Pcs</p>	<p>Sticker for drawer 4 Pcs</p>	<p>Screw M7*38 4 Pcs</p>
<p><b>D</b></p> 	<p><b>E</b></p> 	<p><b>F</b></p> 
<p>Wheel 2 Pcs</p>	<p>Lockable Wheel 2 Pcs</p>	<p>Screw (35mm) 12 Pcs</p>
<p><b>G</b></p> 	<p><b>H</b></p> 	<p><b>I</b></p> 
<p>Large Wood Dowel - 8 Pcs</p>	<p>Small Cam Bolt 12 Pcs</p>	<p>Small Klix Cam 12 Pcs</p>
<p><b>J</b></p> 	<p><b>K</b></p> 	
<p>Large Cam Bolt 4 Pcs</p>	<p>Large Klix Cam 4 Pcs</p>	

# Parts List

<p>1</p> 	<p>2</p> 	<p>3</p> 
<p>Top Panel 1 Pc</p>	<p>Left Side Panel 1 Pc</p>	<p>Right Side Panel 1 Pc</p>
<p>4</p> 	<p>5</p> 	<p>6</p> 
<p>Bottom Panel 1 Pc</p>	<p>Back Panel 1 Pc</p>	<p>Front Panel (Drawer) 3 Pcs</p>
<p>7</p> 	<p>8</p> 	<p>9</p> 
<p>Left Panel (Drawer) 3 Pcs</p>	<p>Right Panel (Drawer) 3 Pcs</p>	<p>Back Panel (Drawer) 3 Pcs</p>
<p>10</p> 		
<p>Bottom Board 3 Pcs</p>		


# Exploded Gram



1. Attach the left and side panels to top panel.

1

**FUNCTION OF KLIX CAM**

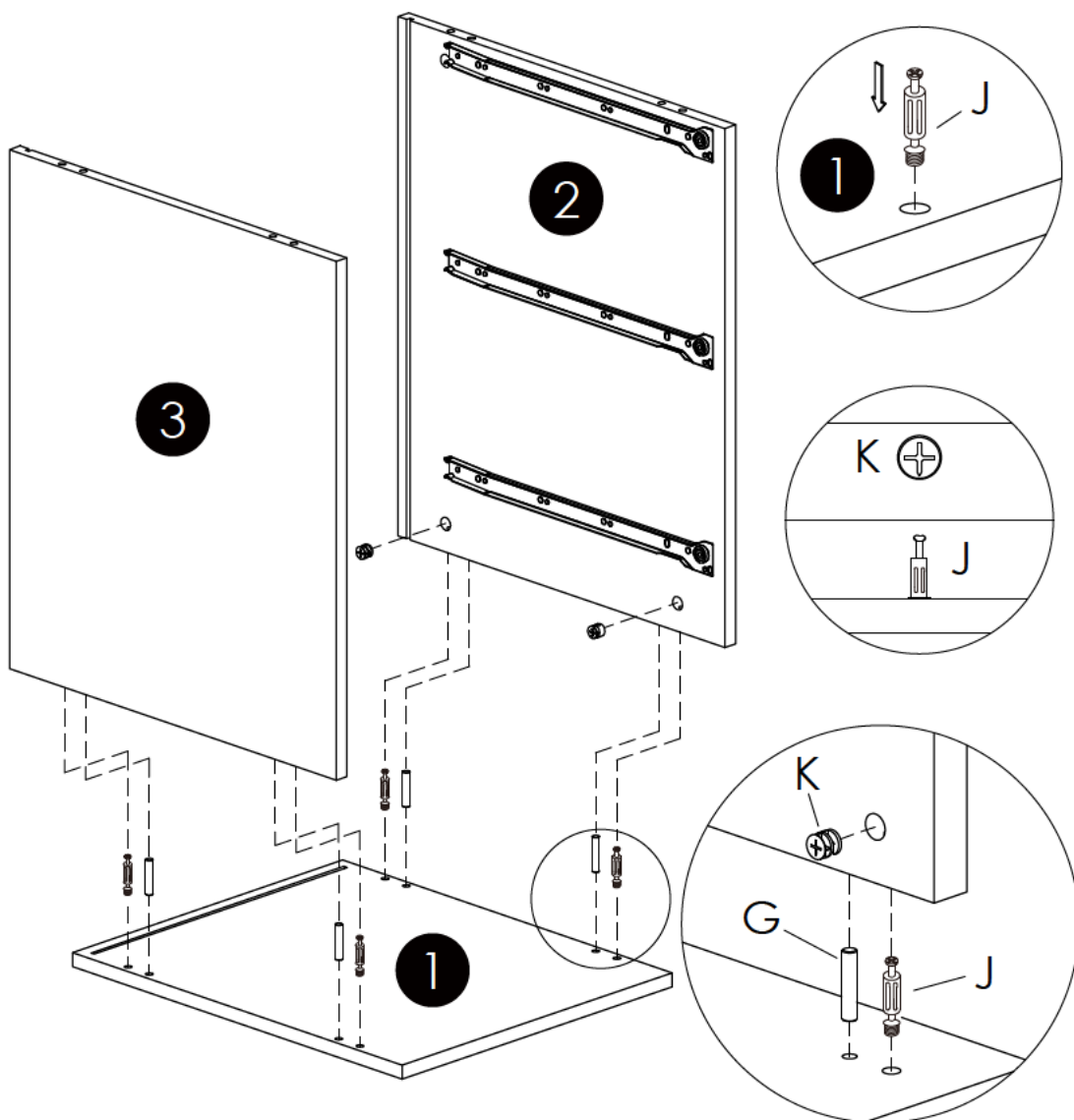


1/2 RIGHT  
TURN FOR  
LOCKING

MAKE SURE THE ARROW OVER AGAINST THE  
TOPSIDE OF CAM LOCK PIN BEFORE  
INSERTING INTO THE PANEL'S HOLE

**IMPORTANT!**

After 1/2 right turn, if there is a gap between the panels, please check whether the cam lock pin is tighten enough.

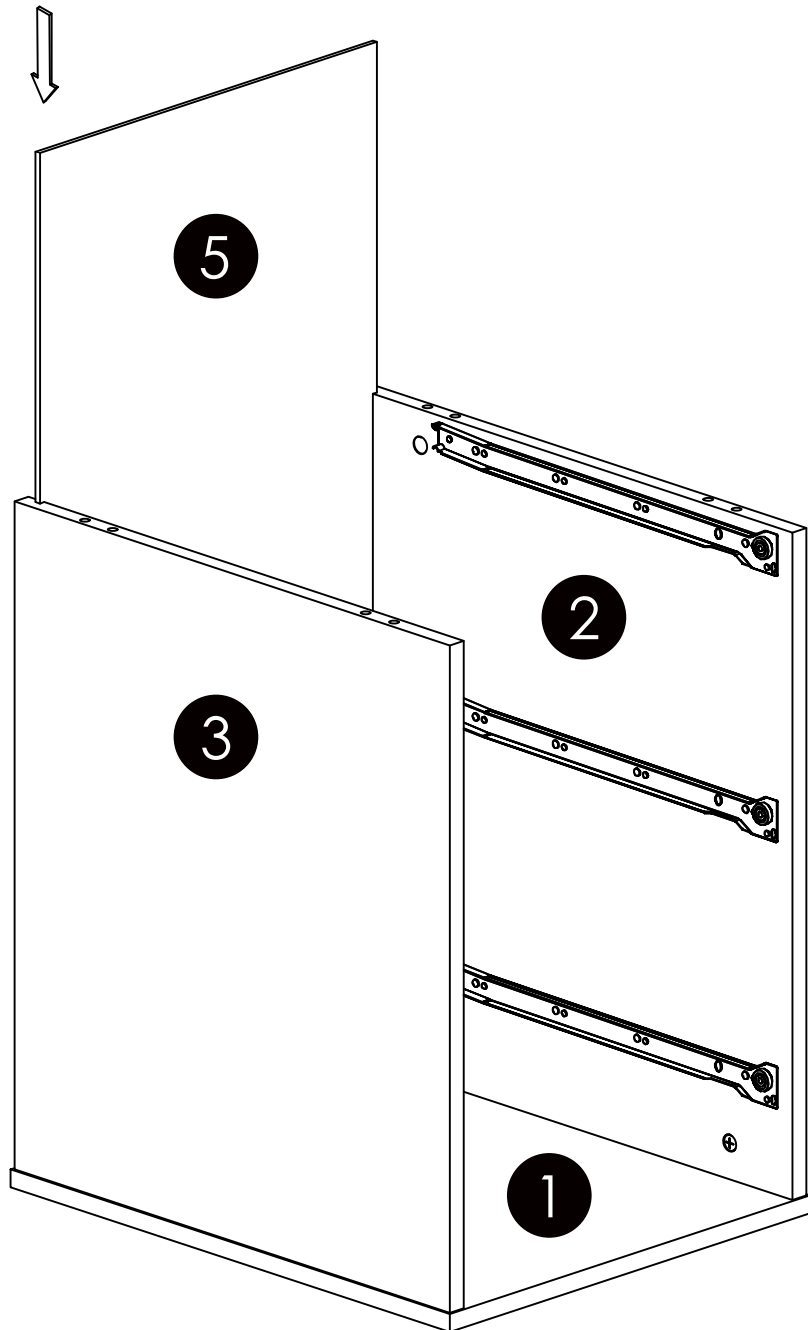


---

2. Insert the back panel into the side panels.

---

**2**

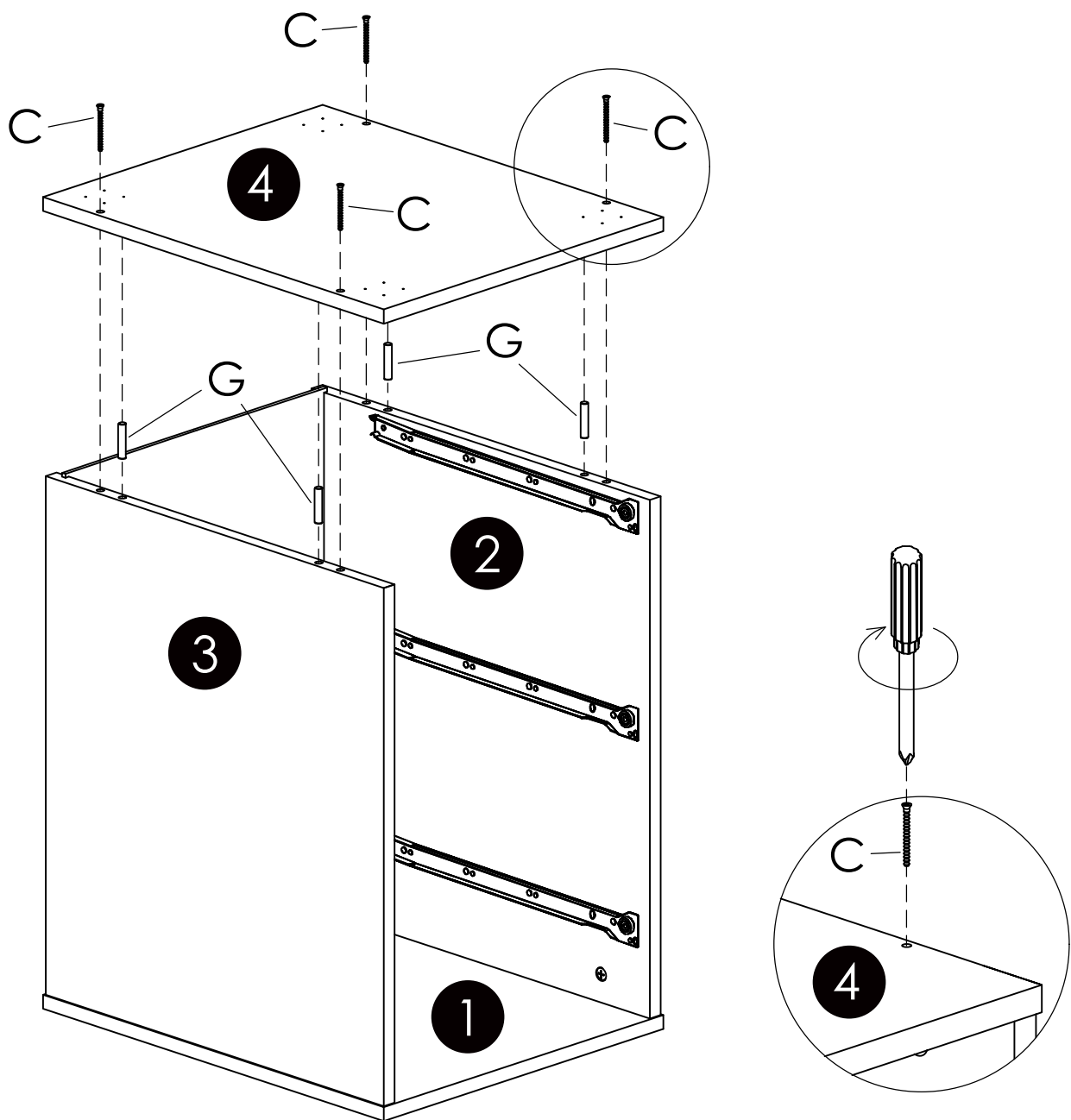


---

3. Attach the bottom panel to the side and back panels.

---

# 3

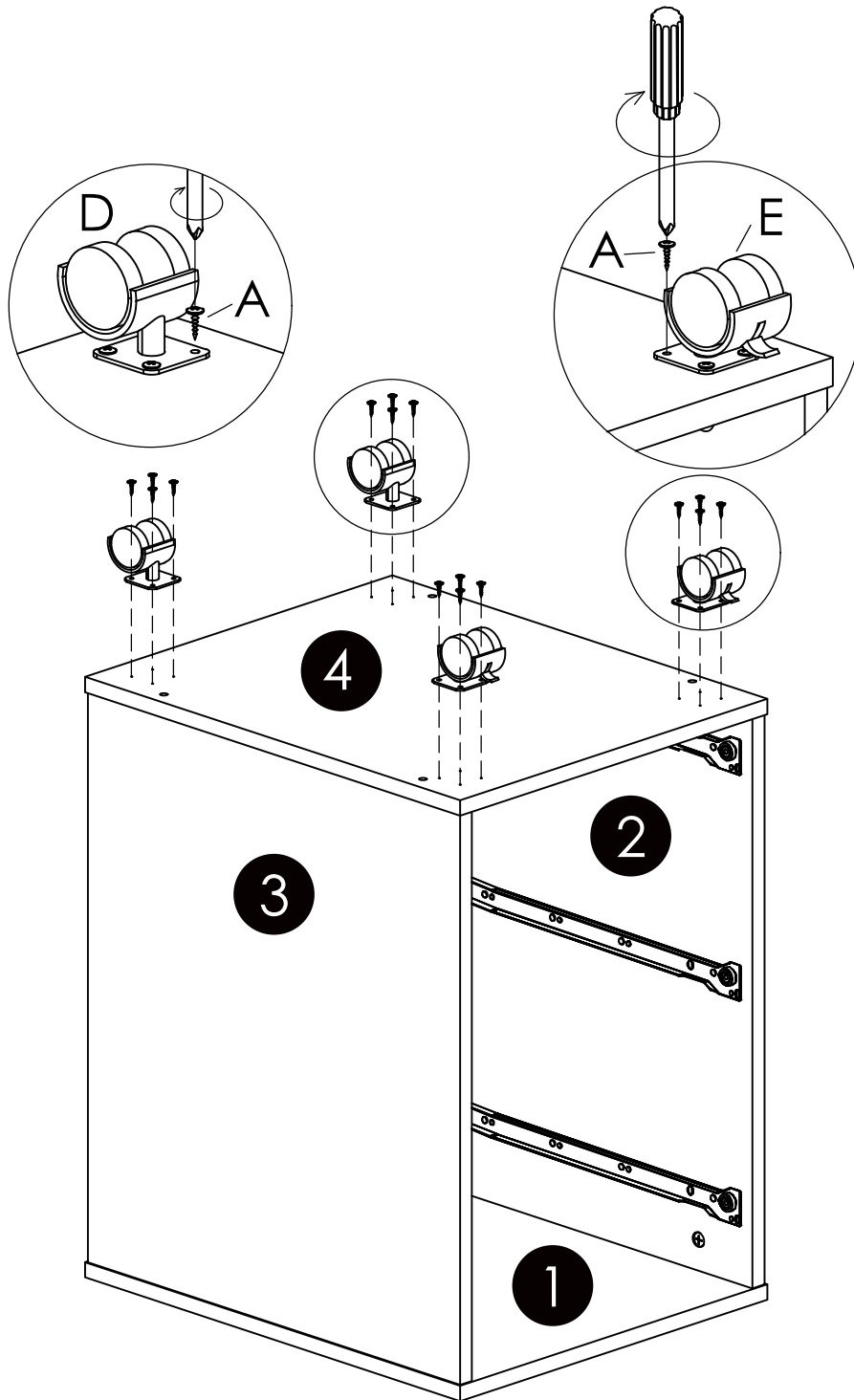


---

4. Install the normal wheel (back) and lockable wheel (front).

---

# 4

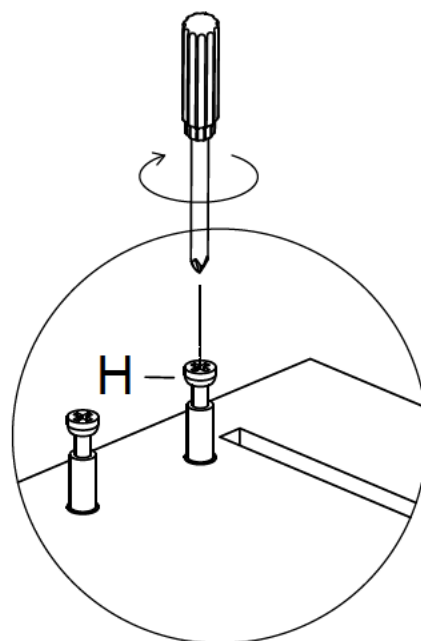
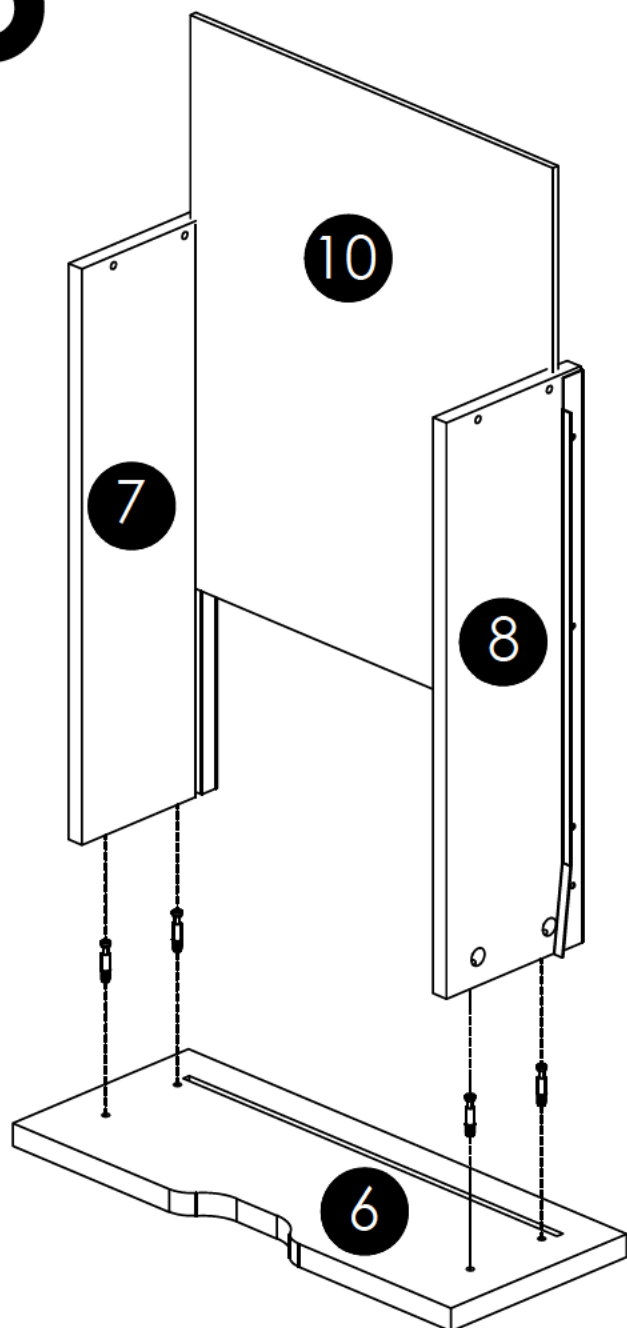


---

5. Attach the left and right panel(7&8) to the front panel(6) using small cam bolts(H), then insert the bottom board(10) to the gap between left and right panel.

---

# 5

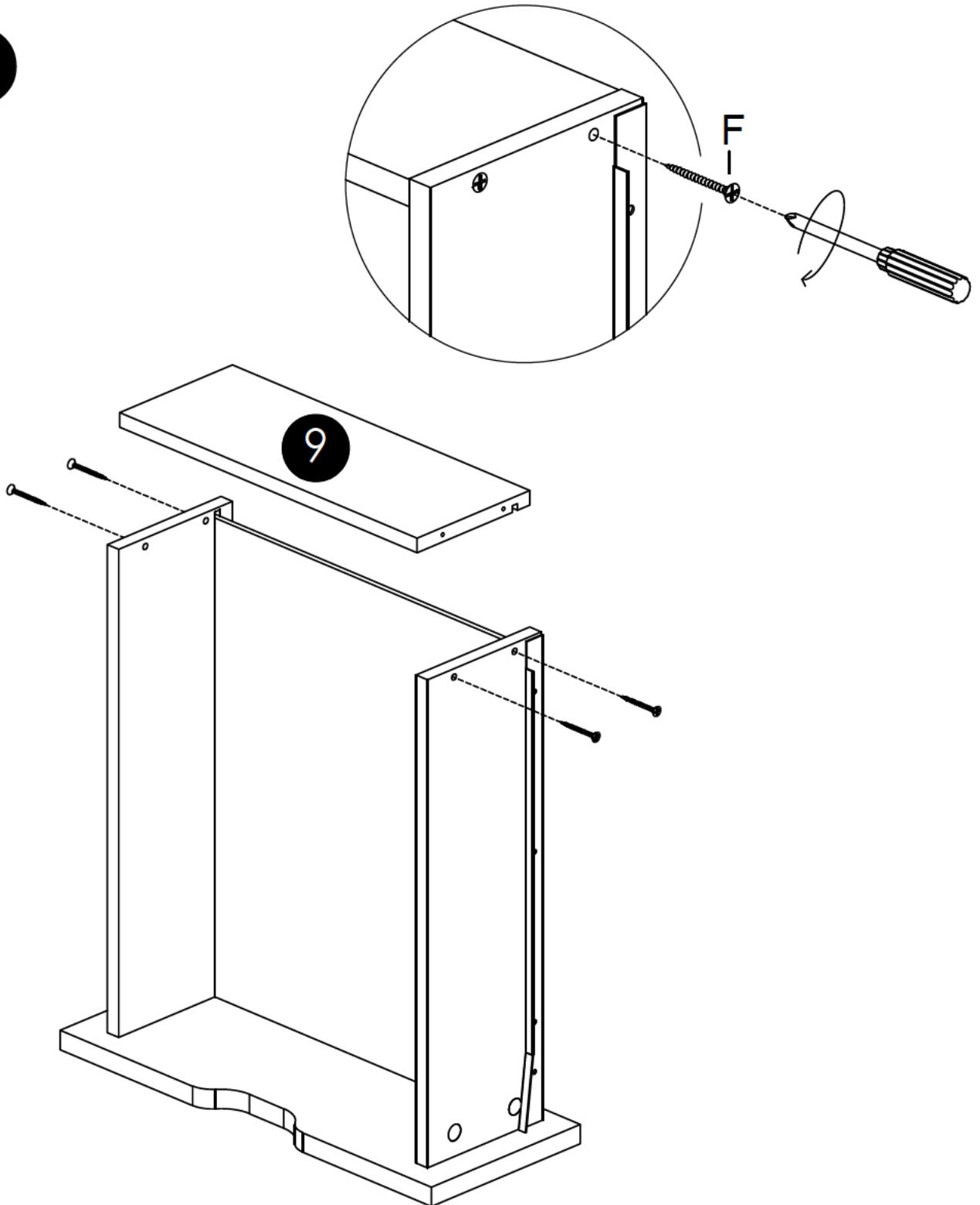


---

6. Attach the back panel(9) to the left and right panel using screws(F).

---

6

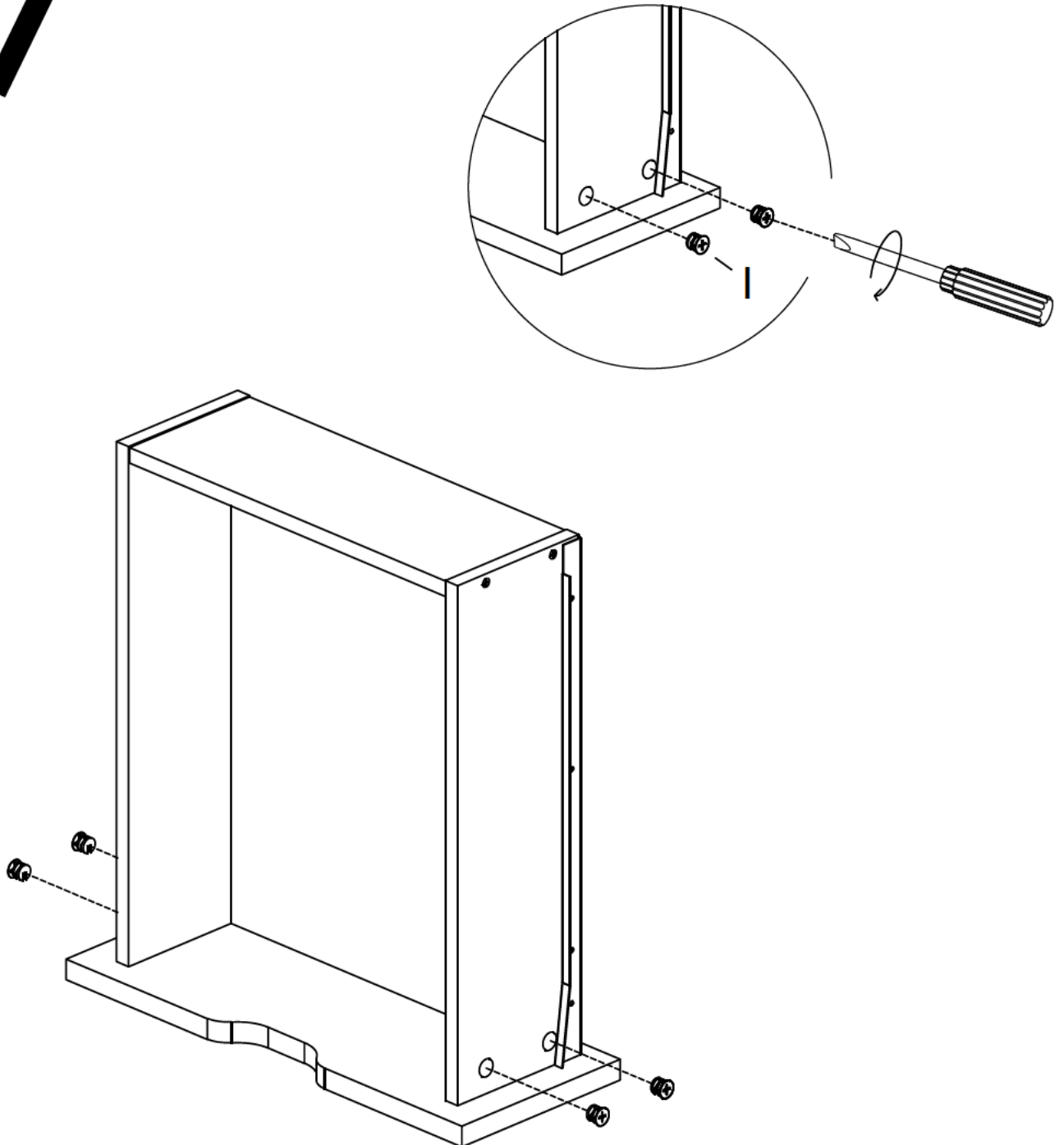


---

7. Put the small klix cam(I) into the hole of panel then lock the cam.

---

7

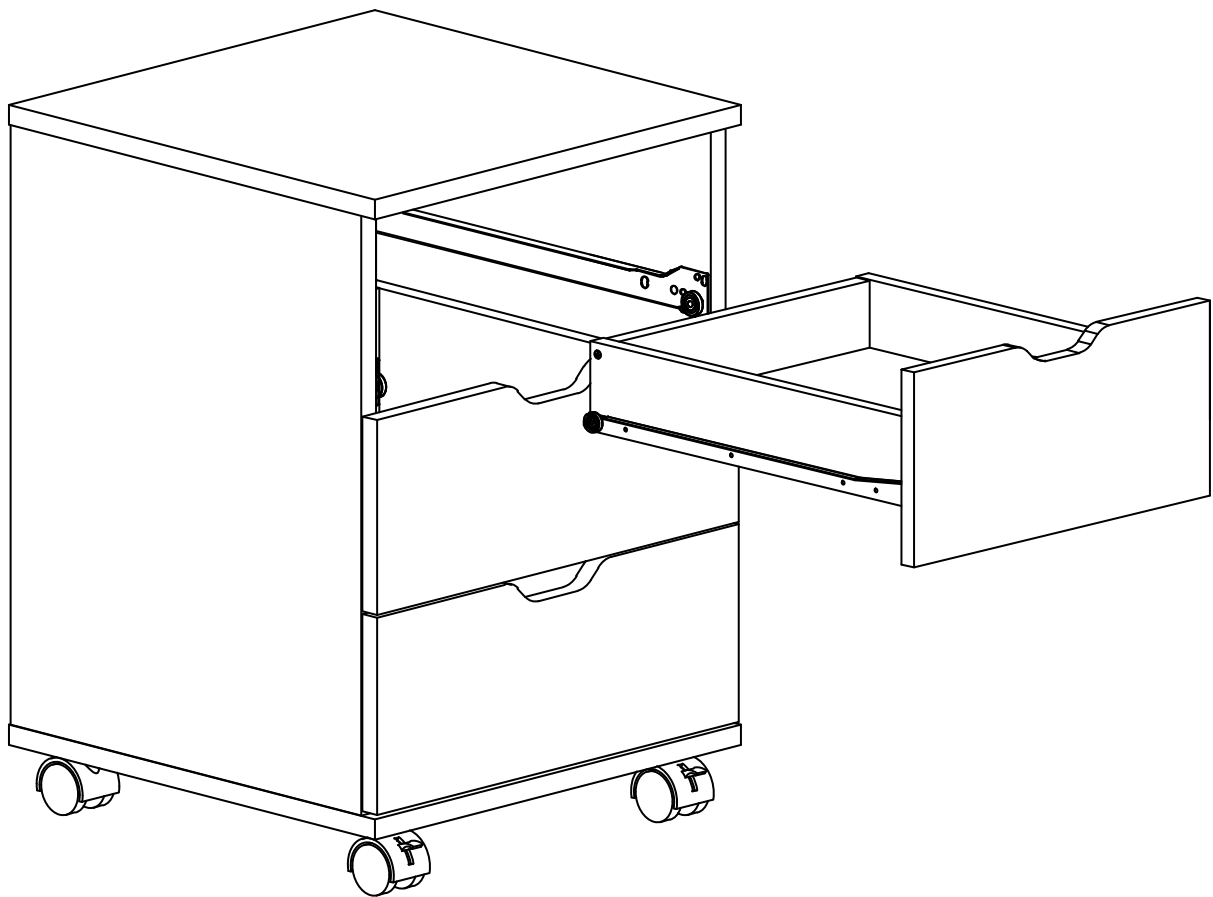


---

8. Put the drawer on the sliding rails.

---

8

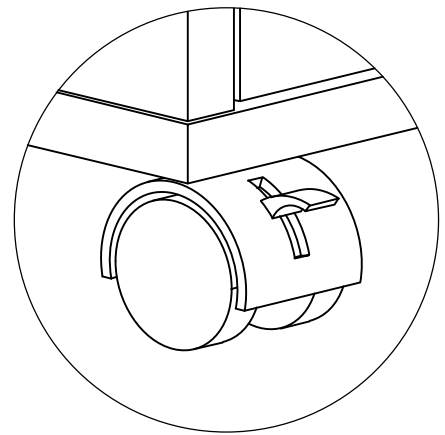
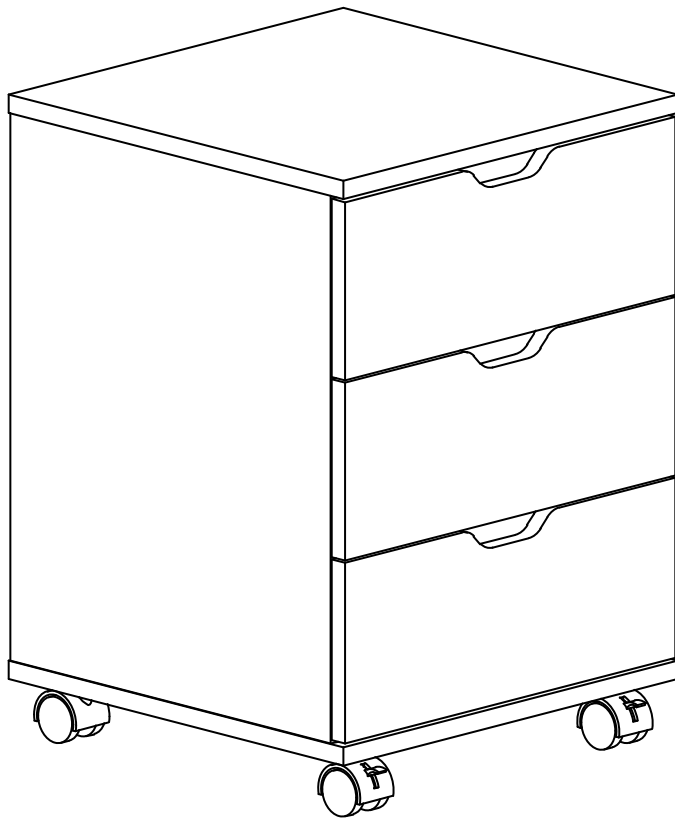


---

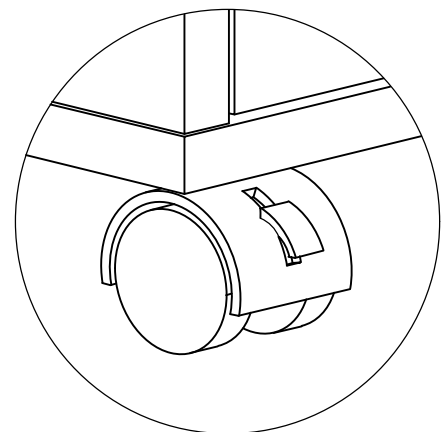
9. Lift the lever of the wheel to unlock and press the lever to lock.

---

9



Brake off



Brake on

## Important Note

- Place all laminated parts on a clean and smooth surface such as a rug or carpet to avoid the parts from being scratched.
- Check to be sure that you have all parts and hardware.
- Remove all wrapping materials, including staples and packing straps before you start to assemble.
- Don't tighten all screws/bolts until all the pieces are completely assembled.
- Keep all hardware parts out children's reach.
- It is recommended for 2 people to complete this assembly.