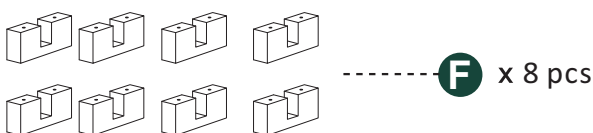
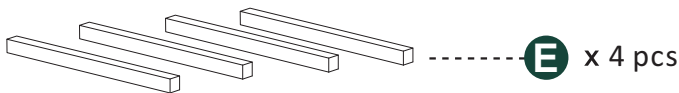
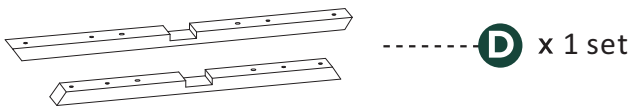
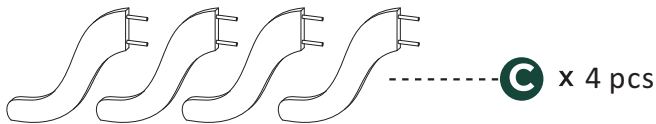
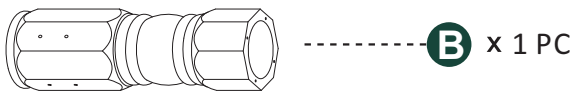
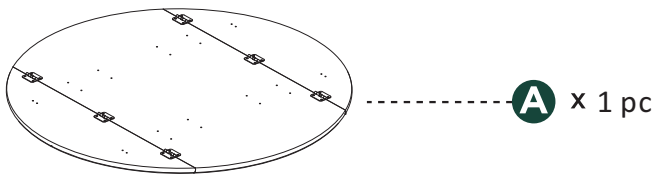


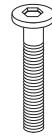
TABLE

Installation & Assembly

Components



Hardware



M6X40
4 pcs



5/16"
8 pcs



4 pcs



M3.5X16
8 pcs



M4X32
26 pcs



M8
8 pcs



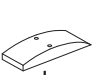
M8
8 pcs



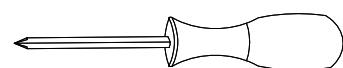
M4
1 pc



1 pc



4 pcs



PHILLIPS SCREWDRIVER
REQUIRED
(NOT INCLUDED)

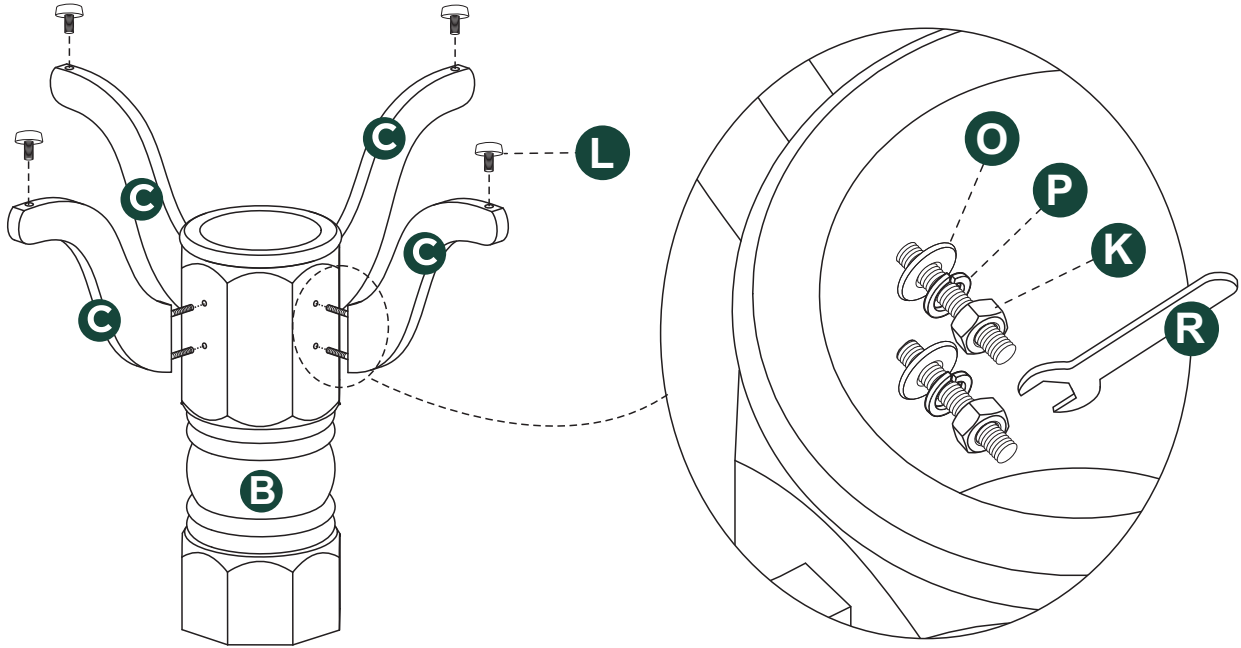
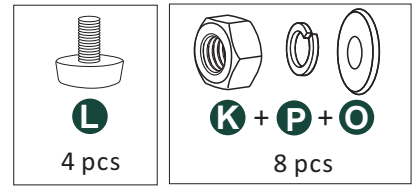
**PLEASE CONTACT US FOR RETURNS
AND OTHER QUESTIONS**

CAUTION:

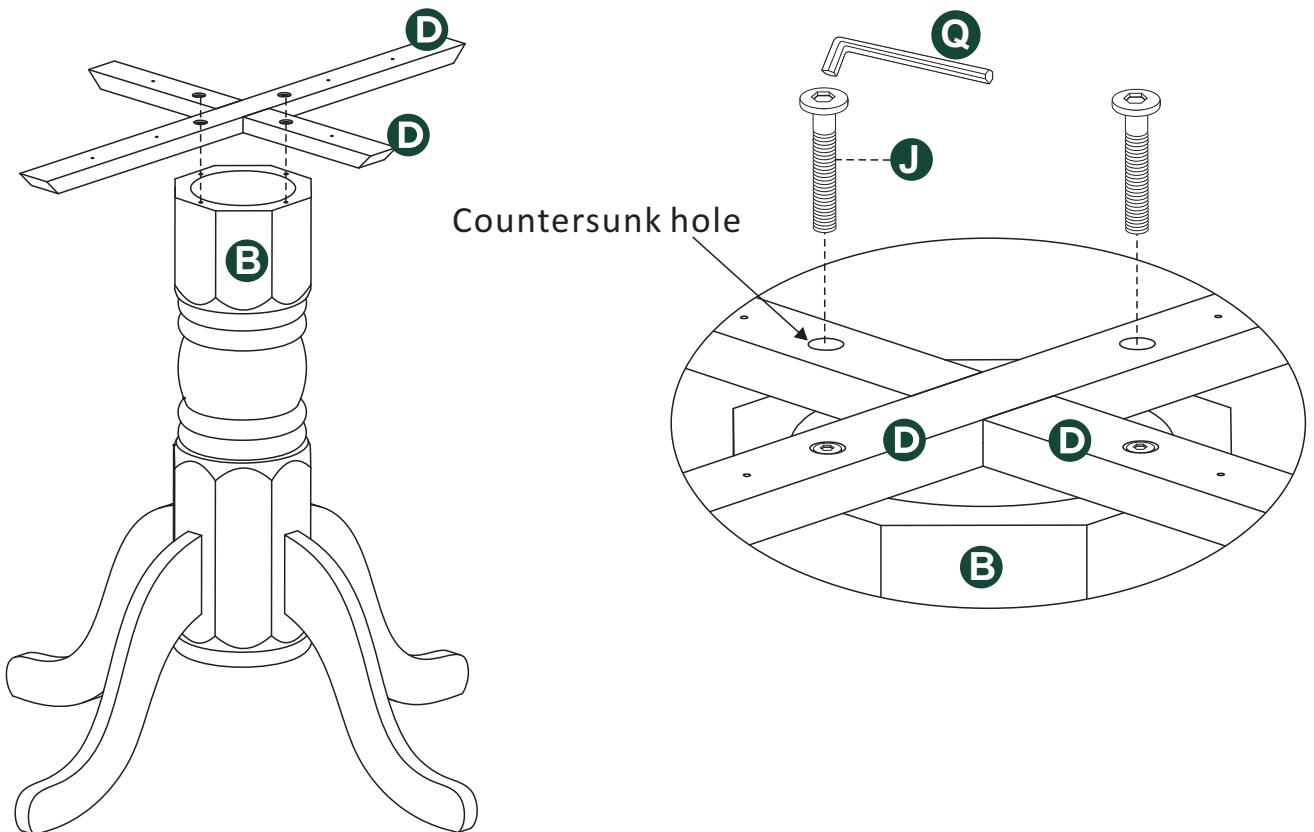
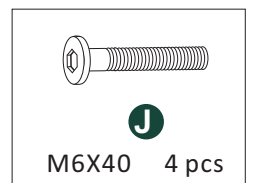
When placing furniture on non-carpeted flooring, we recommend the use of floor protection such as an area rug or furniture pads. Area rugs and padding not included with purchase.

1

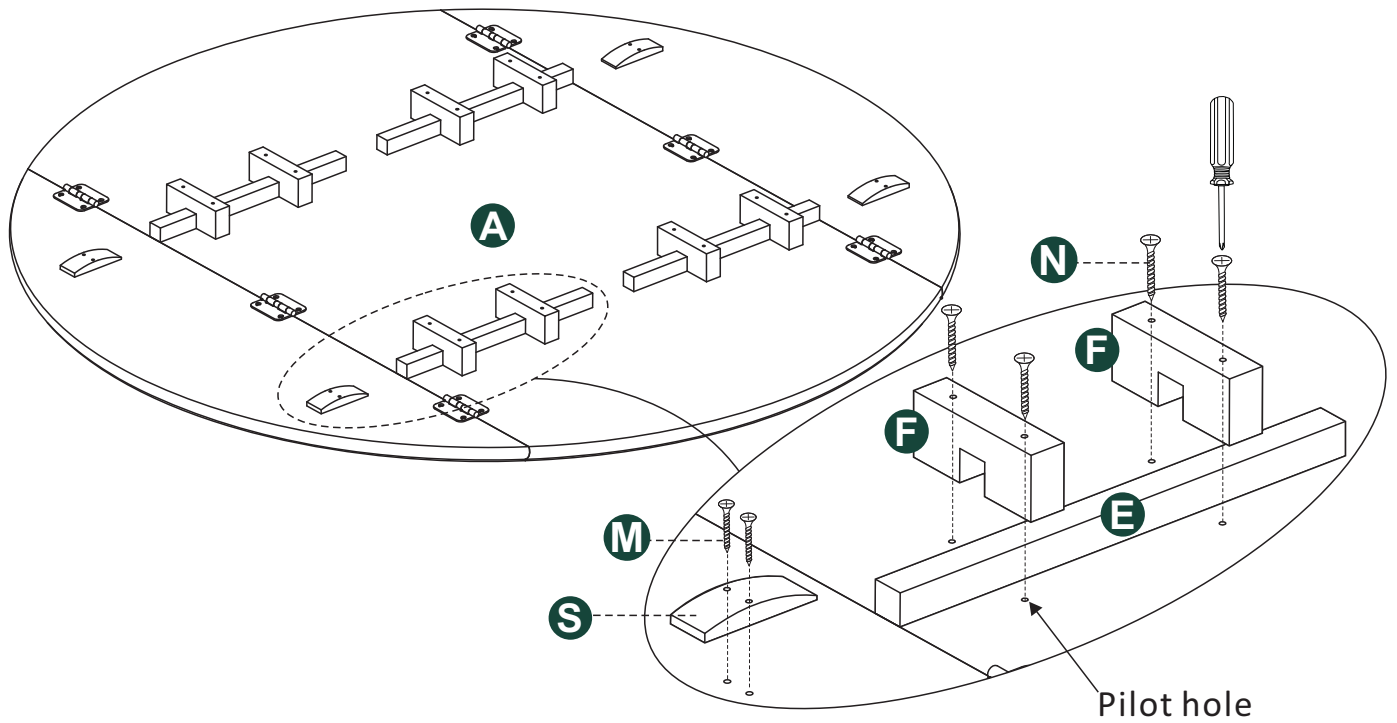
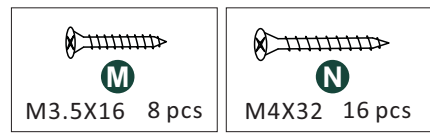
Connect the legs "C" to pedestal "B" through the holes. Attach "P" and "O" washers and "K" nuts to the bolts in the legs "C" from inside of pedestal to attach. Attach adjustable levelers "L" to bottom of legs "C".

**2**

Cross the supports "D" over each other as show below, with countersunk holes facing upward. Connect supports "D" to pedestal "B". Use the bolts "J" to attach.

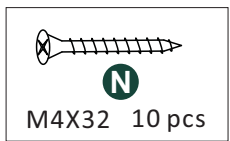


3 Place supports "E", cleat "F" and "S" to underside of top panel as show below. Line up the holes to pilot holes, Use screwdriver to install "N" screws from cleats "F" to top "A". And install "M" screws from cleats "S" to top "A".

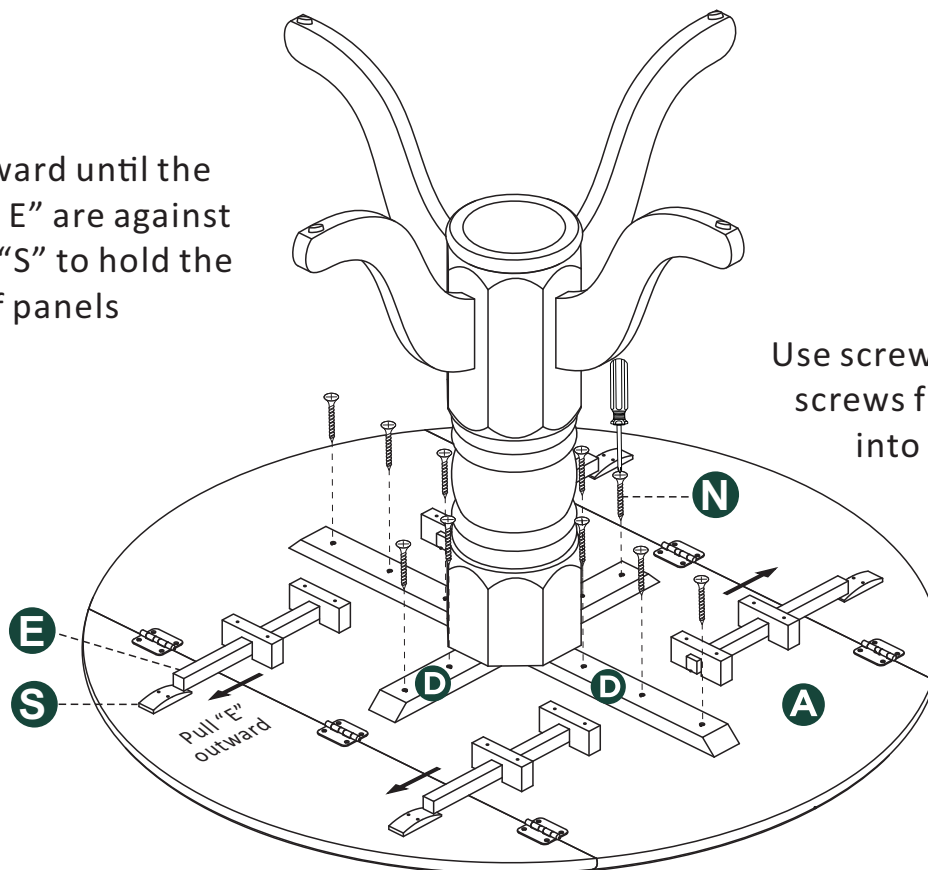


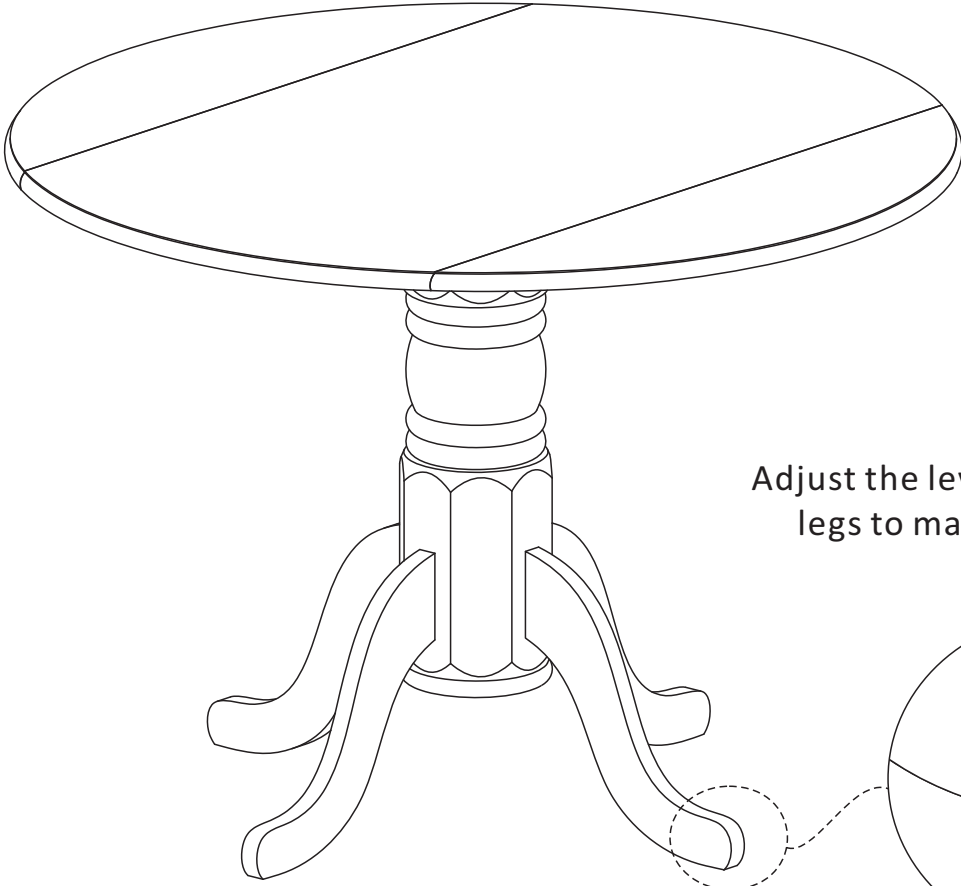
4

Pull outward until the supports "E" are against the cleats "S" to hold the leaf panels



Use screwdriver to install "N" screws from supports "D" into top panel "A".



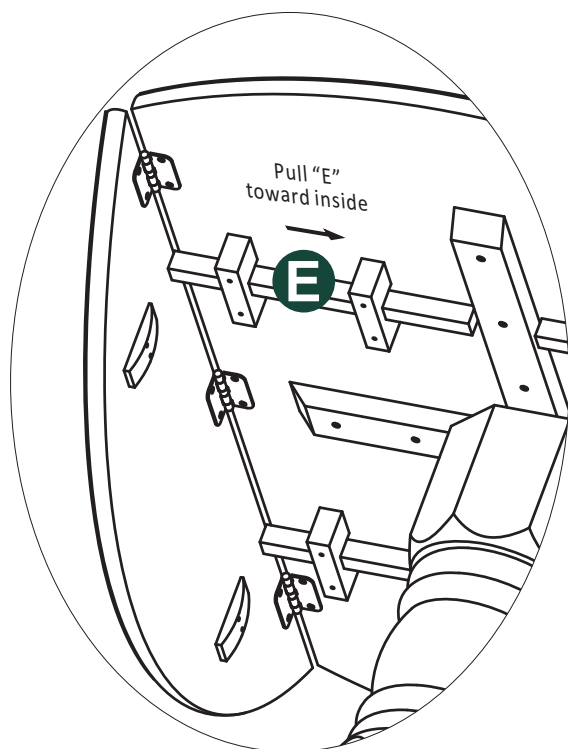


Adjust the levelers in the bottom of legs to make the table steady.

You're all finished!

See next page to fold drop leaf panels

Folding Drop Leaf Panels Instruction



Release the supports "E" to
make leaf panel folding freely.

