

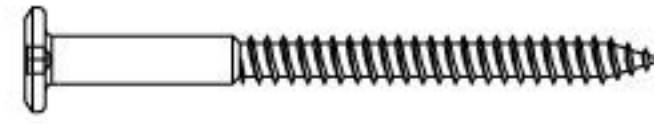
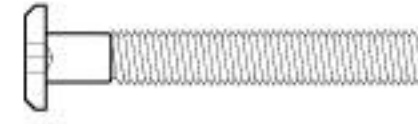


Patio Chair

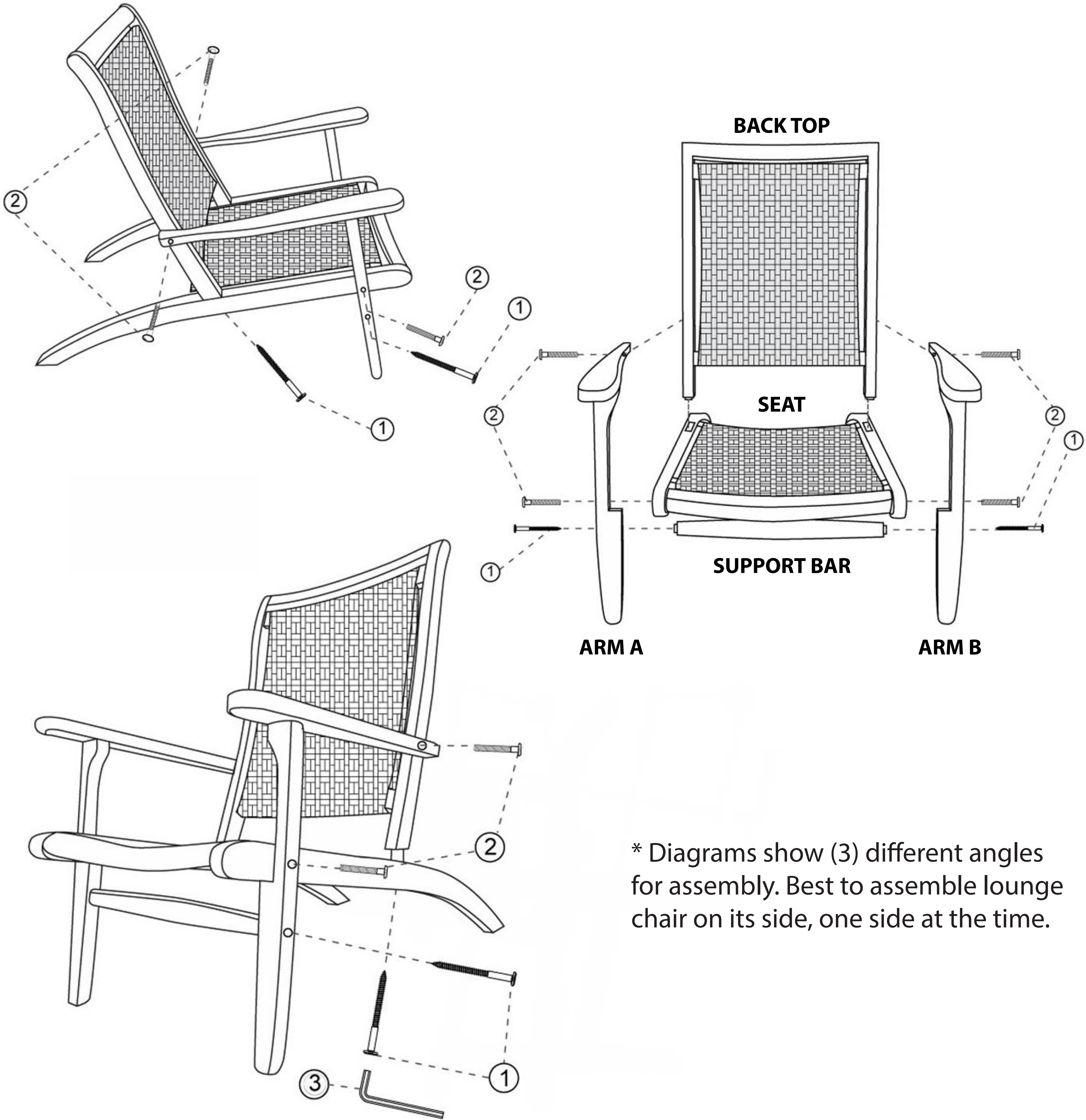
STOP! PLEASE READ FIRST:

Thank you for purchasing this item

Please verify all the hardware and components are included as you unpack the carton.
 Use a soft area or the empty box as a barrier on hard surfaces to assemble the item.
 Place the items in a safe area to avoid loss and damaging contents.

ASSEMBLY TIPS: Never over-tighten any screws or bolts. Assemble furniture on its side while following pictured instructions. It's best to assemble with 2 people.
 Never fully tighten any bolt/screw until all inserted on each side, Then tighten.

NO.	HARDWARE LIST	QTY.
1	Screw M7 x 90 mm 	4 PCS
2	Bolt M8 x 50 mm 	4 PCS
3	Allen Key 	1 PC
4	Portable Drill Bit 	1 PC



* Diagrams show (3) different angles for assembly. Best to assemble lounge chair on its side, one side at the time.