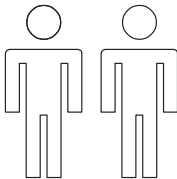


DRAWING DESK

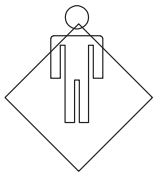
1hr

APPROXIMATE ASSEMBLY TIME

2 PERSON ASSEMBLY

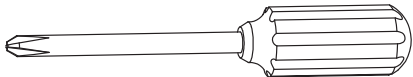


AREA
2M X 2M

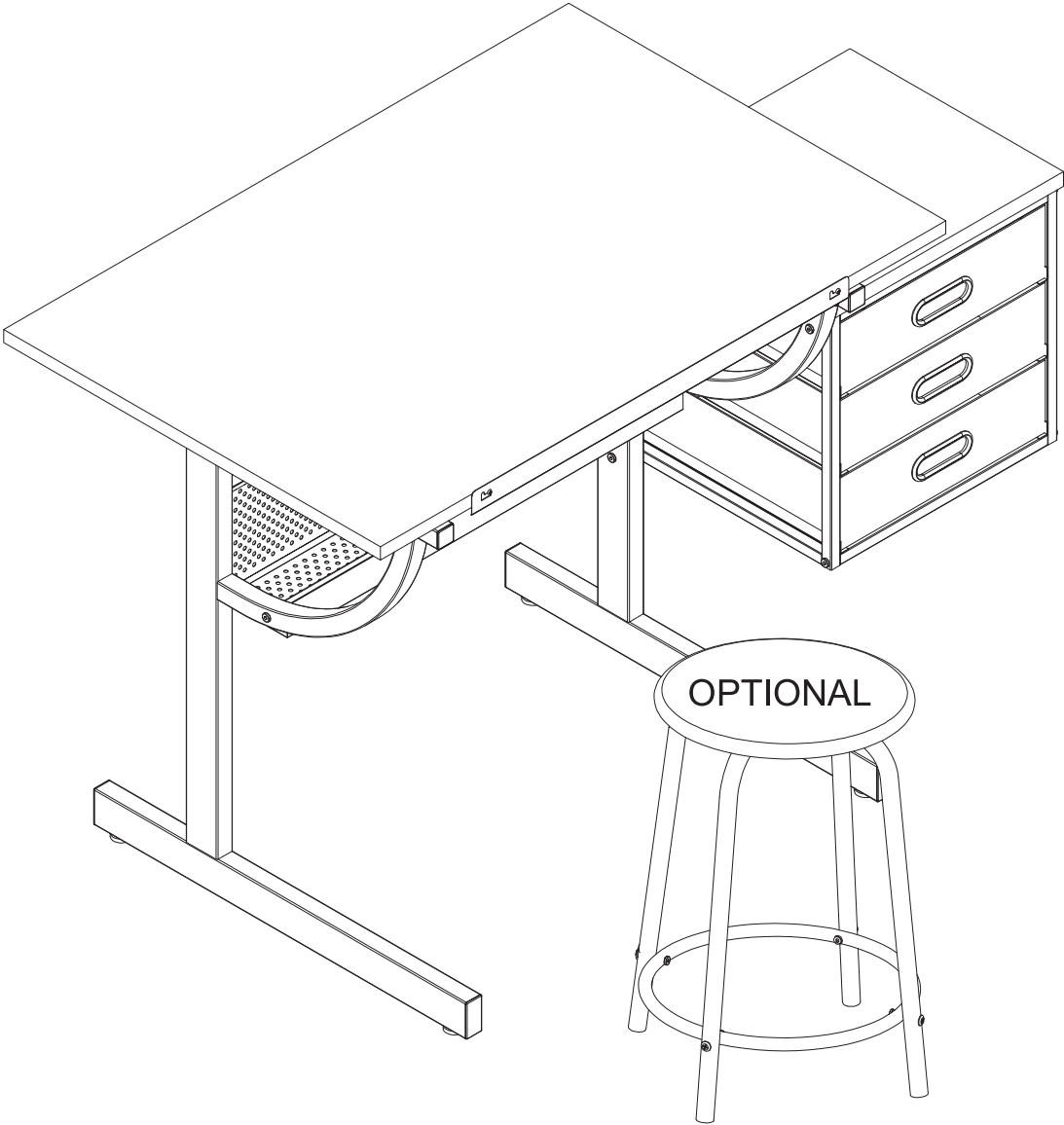


REQUIRED ASSEMBLY SPACE

REQUIRED TOOL

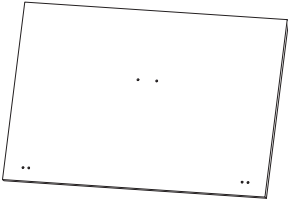
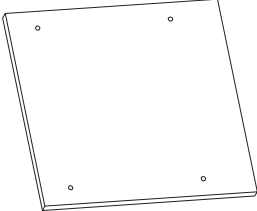
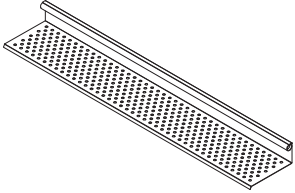
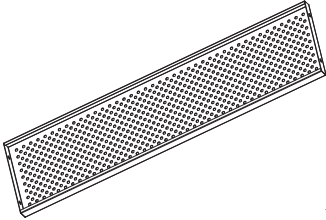
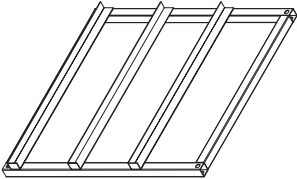
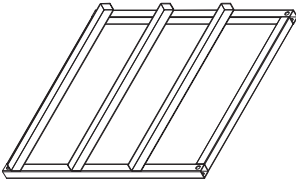
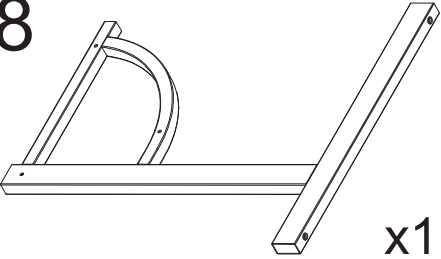
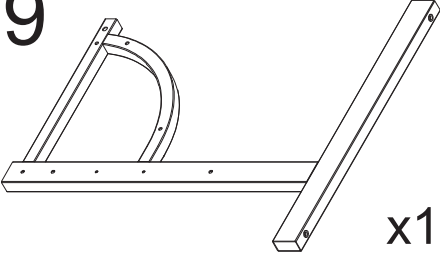
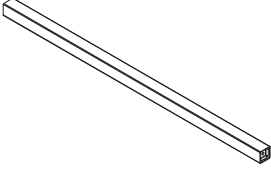
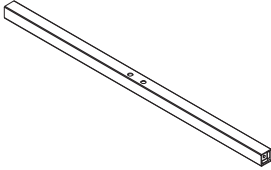

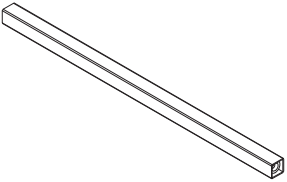
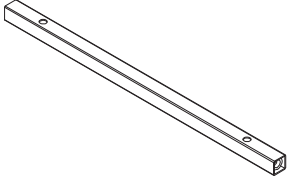
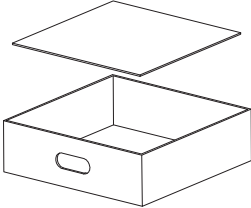
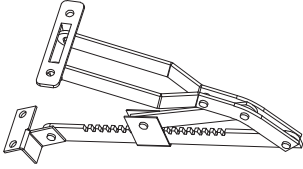
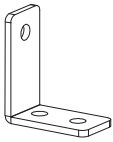
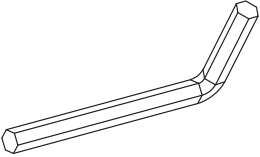
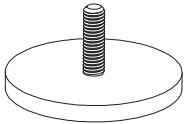


PHILLIPS SCREWDRIVER



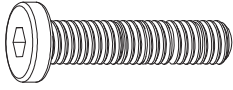
DRAWING DESK

PARTS LIST

1  x1	3  x1	4  x1
5  x1	6  x1	7  x1
8  x1	9  x1	10  x1
11  x1	12  x1	13  x2
14  x2	17  x3	18  x1
19  x2	20  x1	21  x4

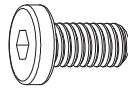
DRAWING DESK

PARTS LIST

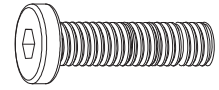


Bolt A X 4
M6X35MM

(A X 0 if stool not included)

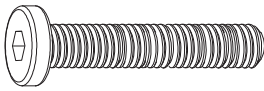


Bolt B X 12
M6X12MM

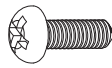


Bolt C X 9
M6X28MM

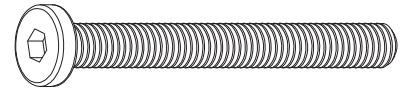
(C X 5 if stool not included)



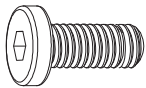
Bolt D X 6
M6X40MM



Screw E X 2
M4X12MM



Bolt F X 3
M6X55MM

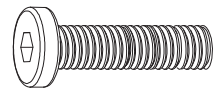


Bolt G X 2
M6X16MM



Bolt Insert H X 4
M6X12MM

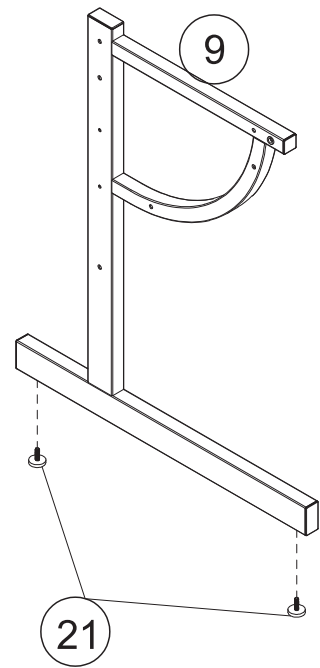
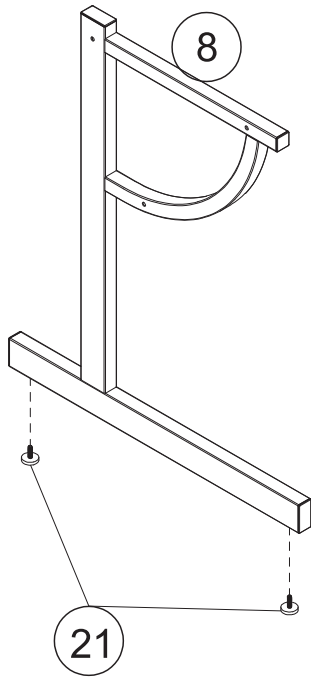
(H X 0 if stool not included)



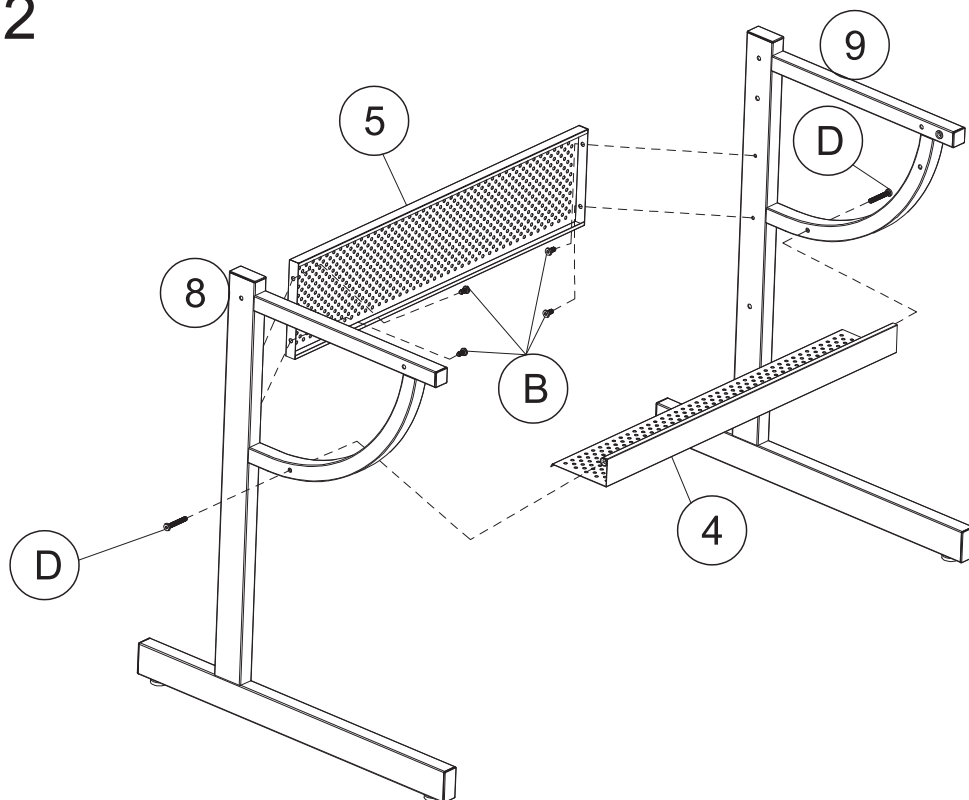
Bolt I X 4
M6X25MM

DRAWING DESK

STEP 1

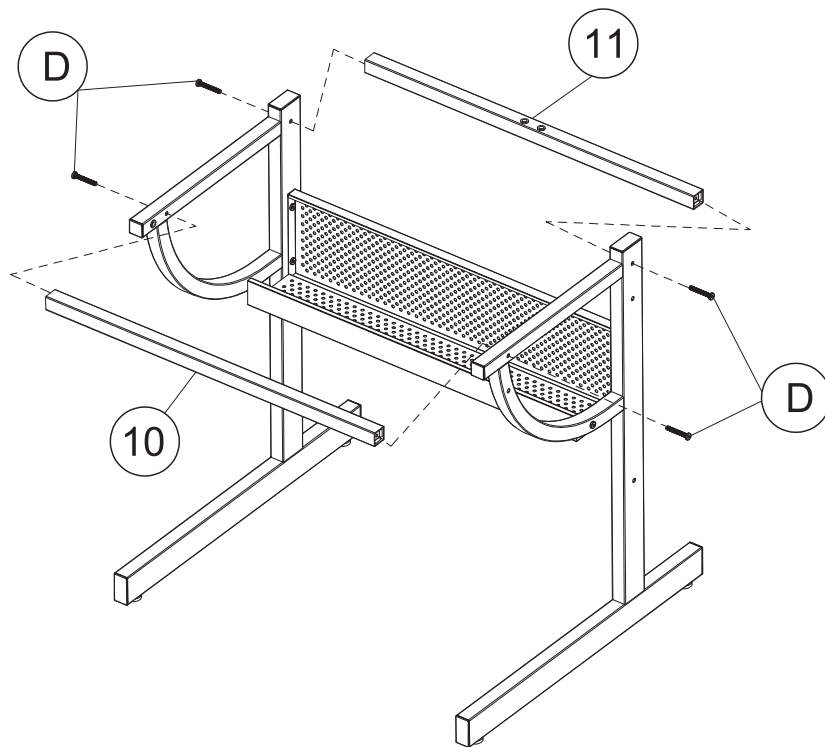


STEP 2

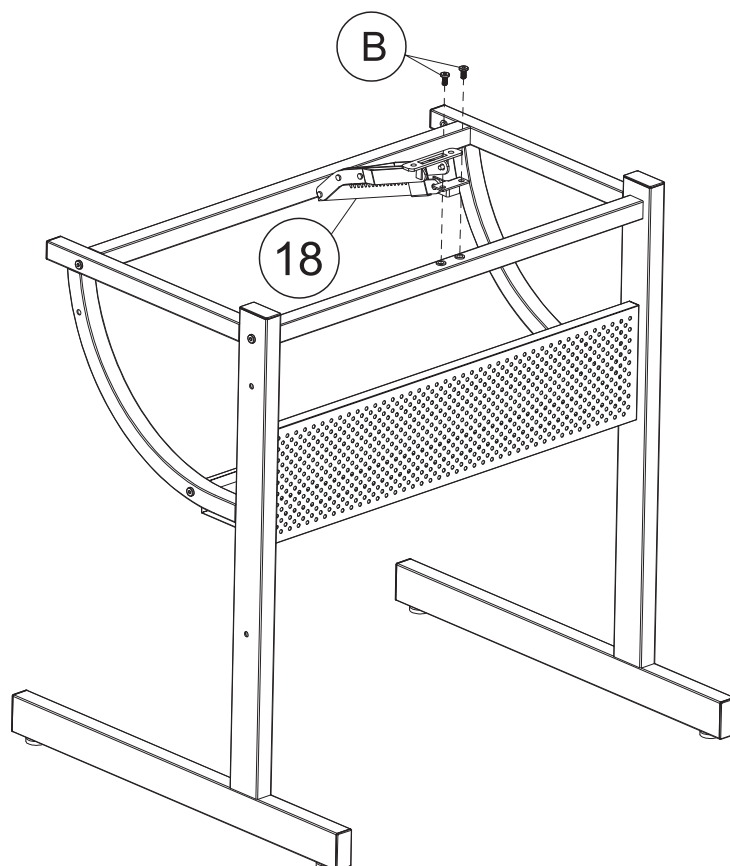


DRAWING DESK

STEP 3

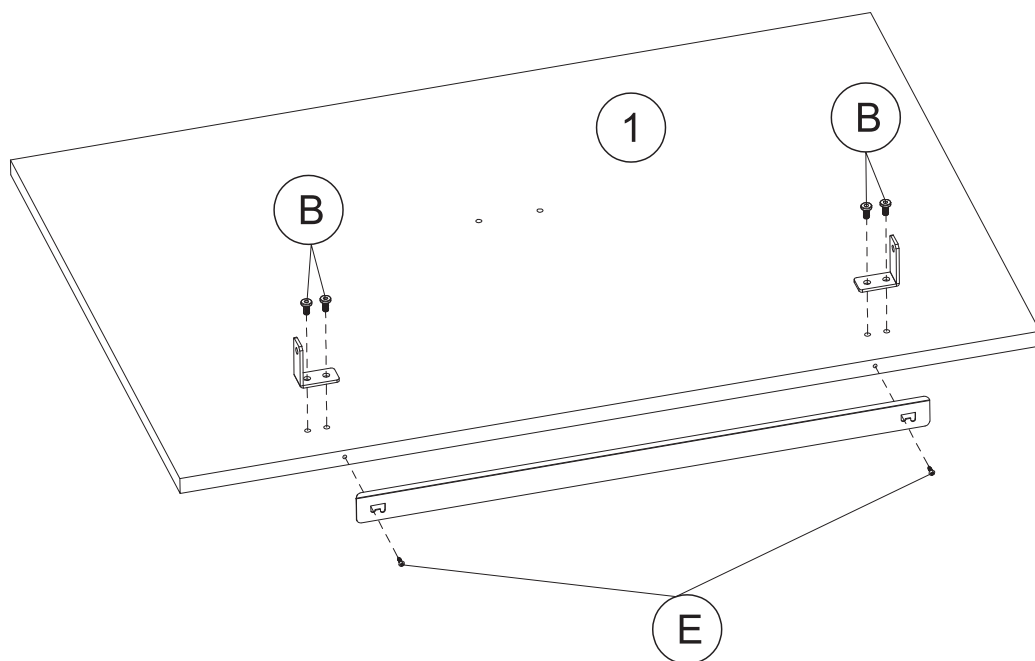


STEP 4

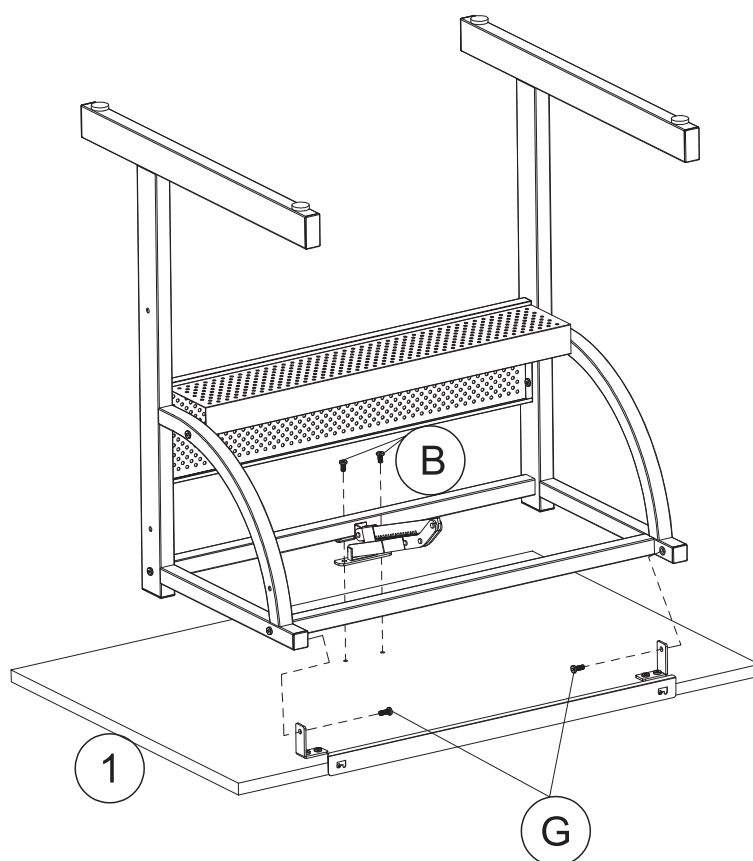


DRAWING DESK

STEP 5

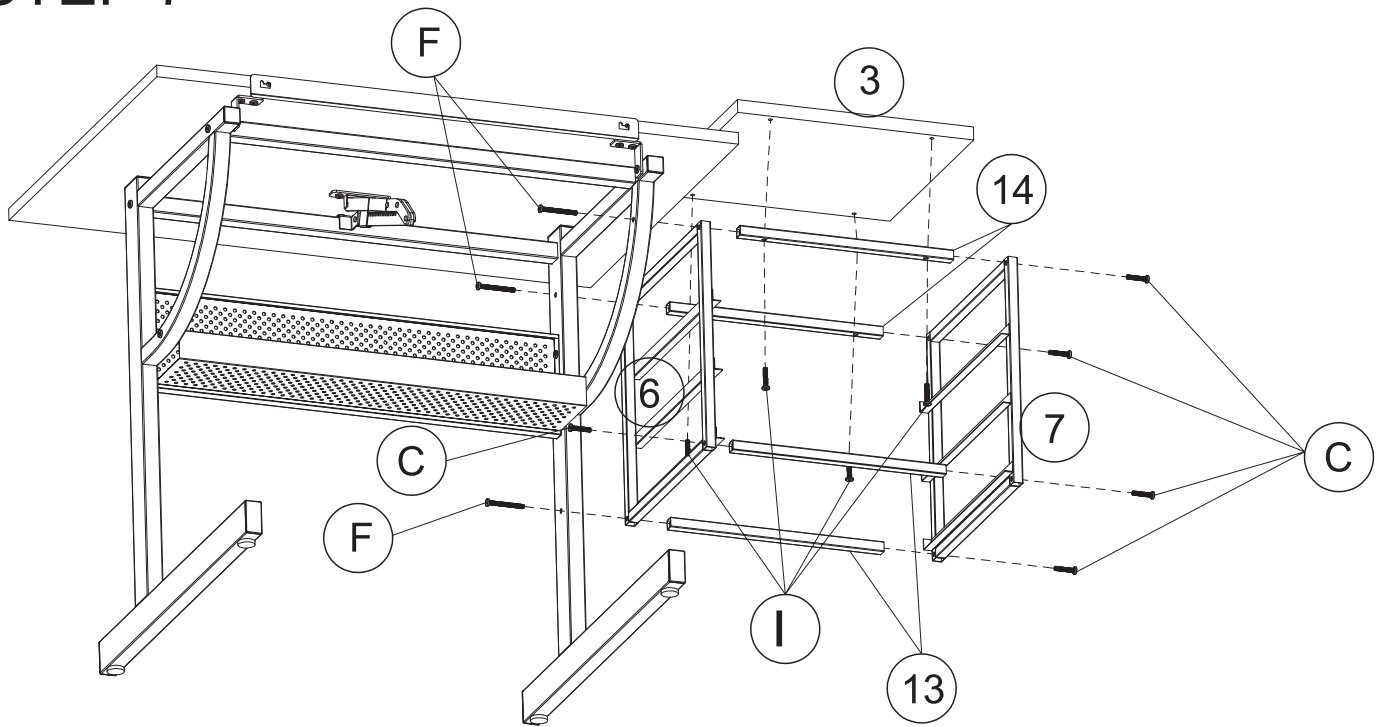


STEP 6

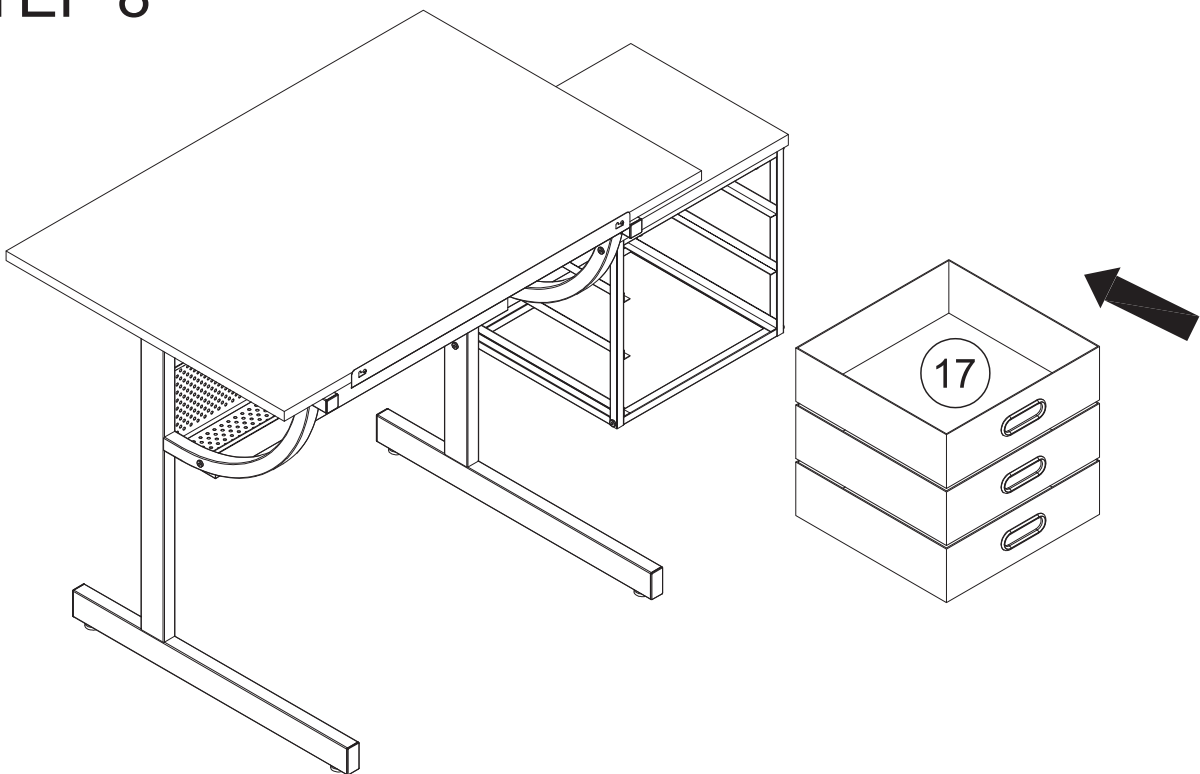


DRAWING DESK

STEP 7



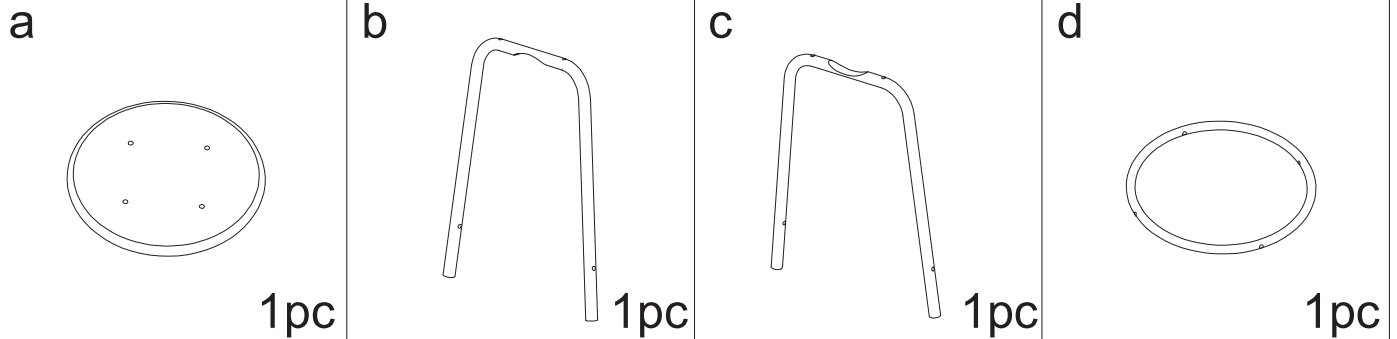
STEP 8



DRAWING DESK

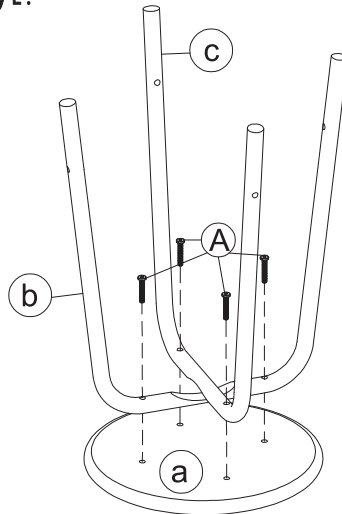
OPTIONAL STOOL ASSEMBLY INSTRUCTION

Attention: Do not tighten the bolts until you completed setup assembly.



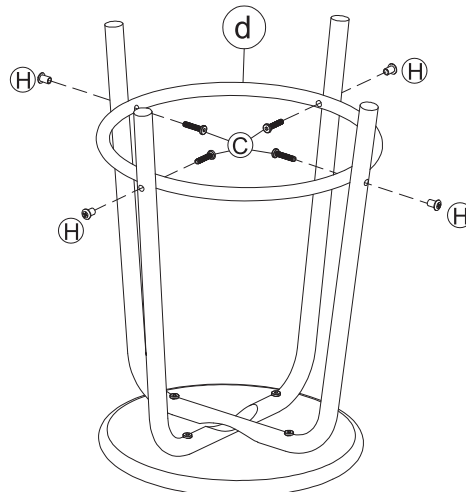
STEP 1

Fit part b and c to part a using bolts A and allen key L.



STEP 2

Fit part d to stool using bolts inserts H, bolts C and allen key L.



Maximum weight capacity for stool is 200 lbs.