



## **STOP**

We just wanted to thank you for allowing New Ridge Home to be a part of your home. If you love what you received, please take the time to write a review on the site you purchased from.

## **WAIT**

If there is any issue with your purchase, please contact us using the information found below. In many cases we have a part or hardware that will fix the issue without the hassle of having to return the item. To make a parts request, please note the following in your e-mail:

**SKU number on the box (starting with NR)**

**The part number or letter of the part on the instruction sheet**

**A brief description of the issue**

**Your name & address**

If possible, please also include a picture of the issue or the product.

Send request to: [kcovey@newridgehomegoods.com](mailto:kcovey@newridgehomegoods.com)

## **HOLD ON**

Don't forget to check out our website [www.newridgehomegoods.com](http://www.newridgehomegoods.com) where you will find our complete line of products, assembly instructions, and more.

From our entire team, Thank You for your business, we truly appreciate it!

# ASSEMBLY INSTRUCTIONS

## SWIVEL BARSTOOL



Do not fully tighten all screws until assembly is complete.


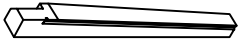
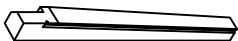


AFTER ASSEMBLY PLEASE WAIT 8 HOURS BEFORE USE FOR GLUE  
TO DRY PROPERLY





NR100152-FCS-WN  
NR100151-FBS-WN  
NR100121-PBS-EP  
NR100122-PCS-EP



NR100154-FCS-WG  
NR100153-FBS-WG  
NR100123-PBS-EP  
NR100124-PCS-EP

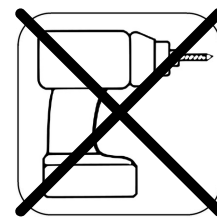
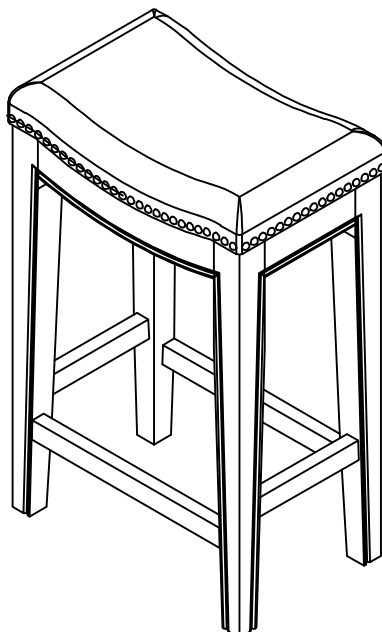
NR10034-FCS-AW  
NR100133-FBS-AW  
NR100127-PBS-EP  
NR100128-PCS-EP

NR100131-PBS-EP  
NR100132-PCS-EP

A	BR	BL	C	D
SEAT	LEG	LEG	STRETCHER (SHORT)	STRETCHER (LONG)
				
1 PC	2 PC	2 PC	2 PC	2 PC

<b>1</b>	<b>2</b>	<b>3</b>	<b>4</b>
LONG BOLT Ø1/4 x 12 x 2-3/8"	SPRING WASHER Ø1/4" x 10D x 1.5mm	FLAT WASHER Ø1/4" x 19D x 1.5mm	ALLEN KEY 2-1/4" x 4mm
			
8 PC	8 PC	8 PC	1 PC

<b>5</b>	<b>6</b>
WOOD SCREW M4 x 40mm	WHITE GLUE
	
8 PC	1 PC



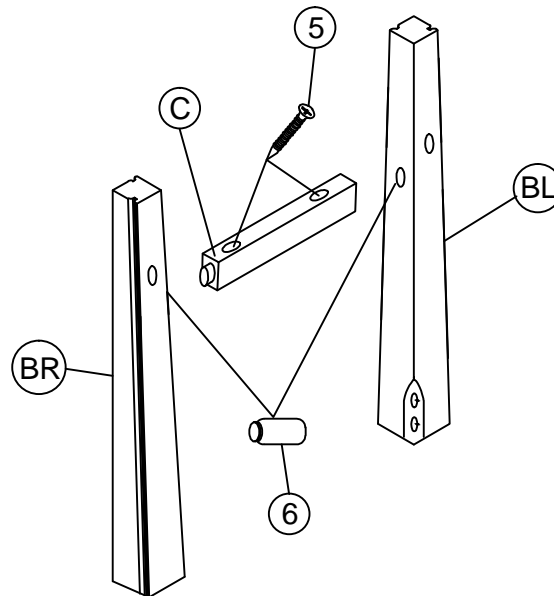
**No drills necessary.  
Do not use power  
screwdriver.**

This page lists all the contents included in the box. Please take the time to identify the hardware as well as the individual components to this product. As you unpack and prepare for assembly, place the contents on a carpeted or padded area to protect them from damage.

## STEP 1

Attach short stretcher (C) to legs (BR) and (BL) as shown on the picture. Apply white glue (6) to the joint holes on the legs and then secure stretcher with two screws (5) through the pocket holes into the legs.

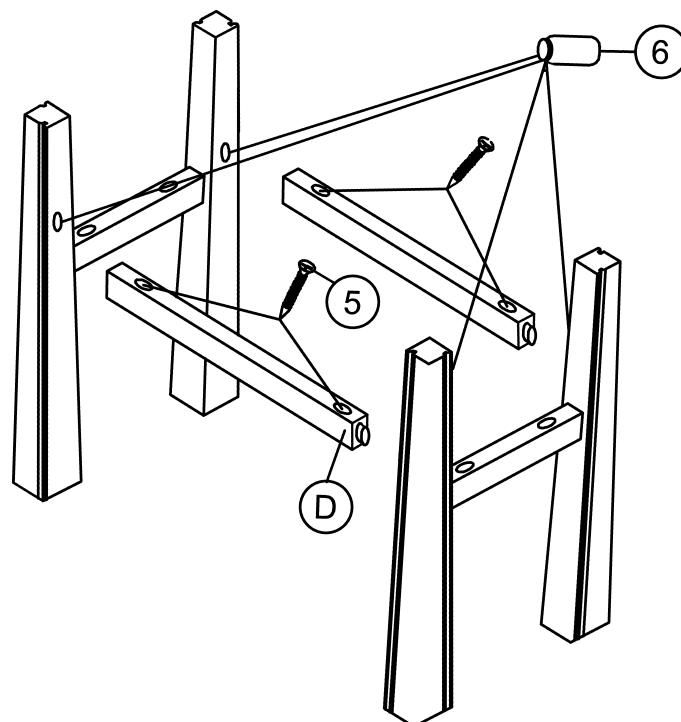
Important: Note position of the pocket holes. When properly inserted and stool is turned upright, pocket holes face toward the floor, hidden from the view.



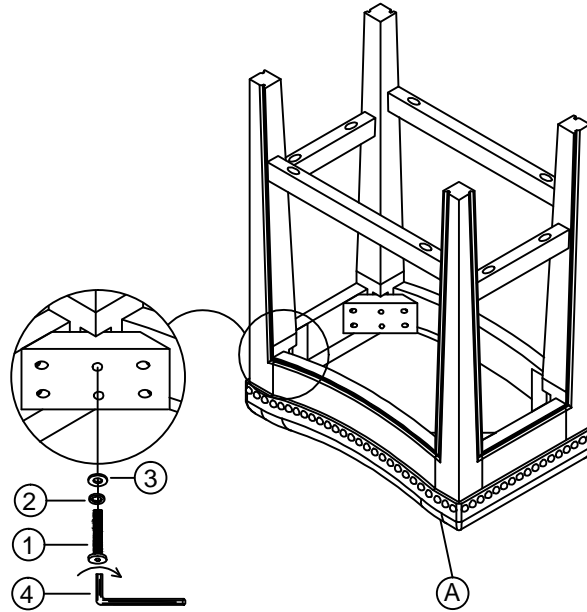
## STEP 2

Attach Long stretcher (D) to the legs (BR) and (BL) as shown on the picture. Apply wood glue (6) to the joint holes on the legs and then secure stretcher with two screws (5) through the pocket holes into the legs.

Important: Note position of the pocket holes. When properly inserted and stool is turned upright, pocket holes face toward the floor, hidden from the view.



**STEP 3** Attach legs (BR) and (BL) to the seat (A) with bolts (1), spring washers (2), and flat washers (3) using Allen key (4). Do not fully tighten bolts yet.



**STEP 4** Turn the stool over on a flat surface, align all 4 legs and tighten the bolts.

**COMPLETE**

