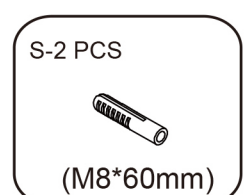
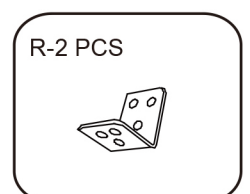
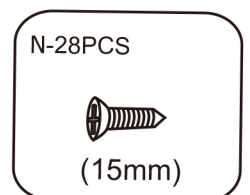
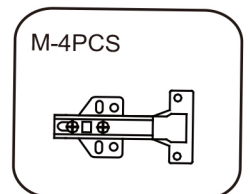
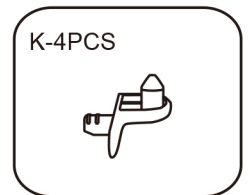
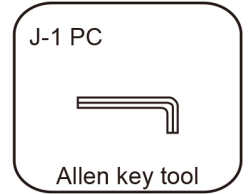
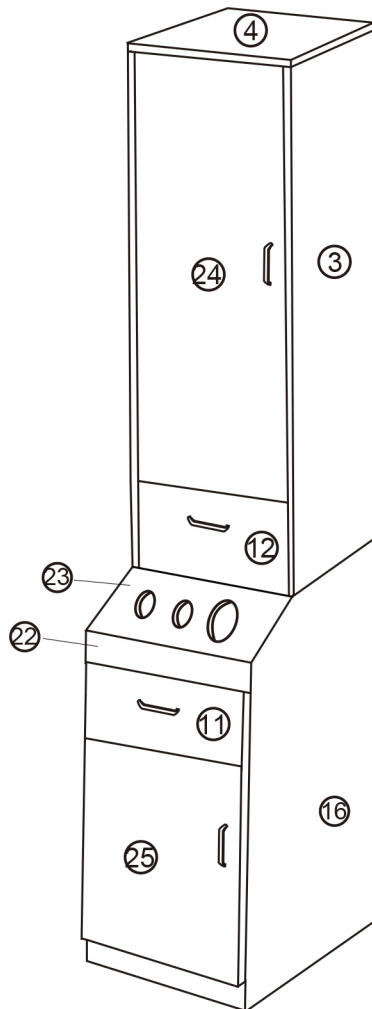
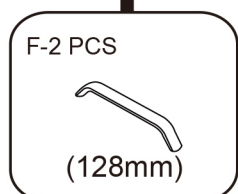
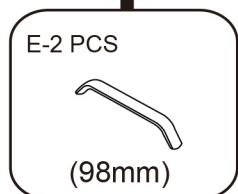
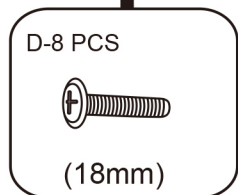
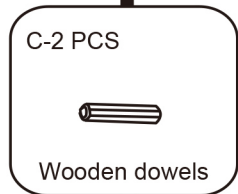
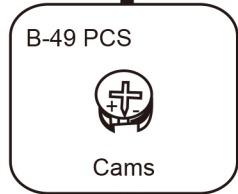
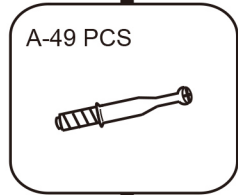
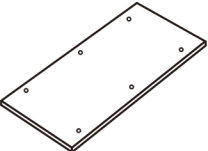
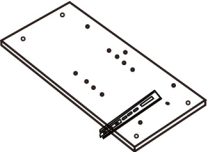
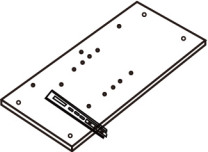
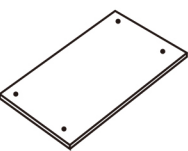
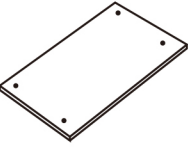
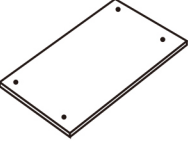
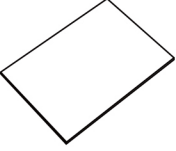
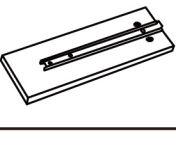
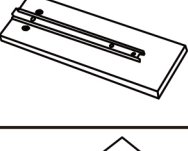
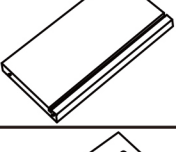
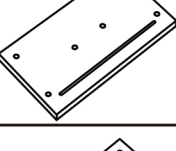
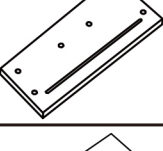
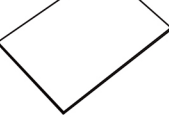
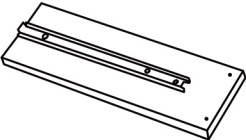
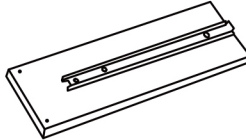

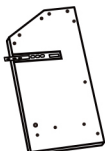
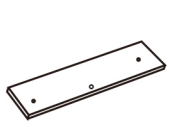
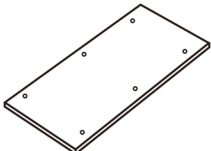
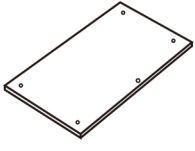
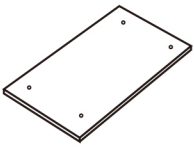
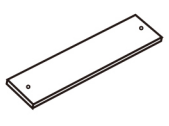
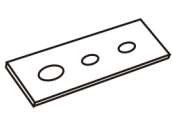
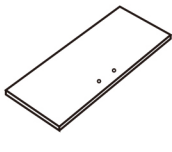
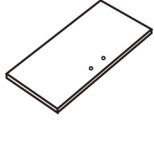


ASSEMBLY INSTRUCTIONS

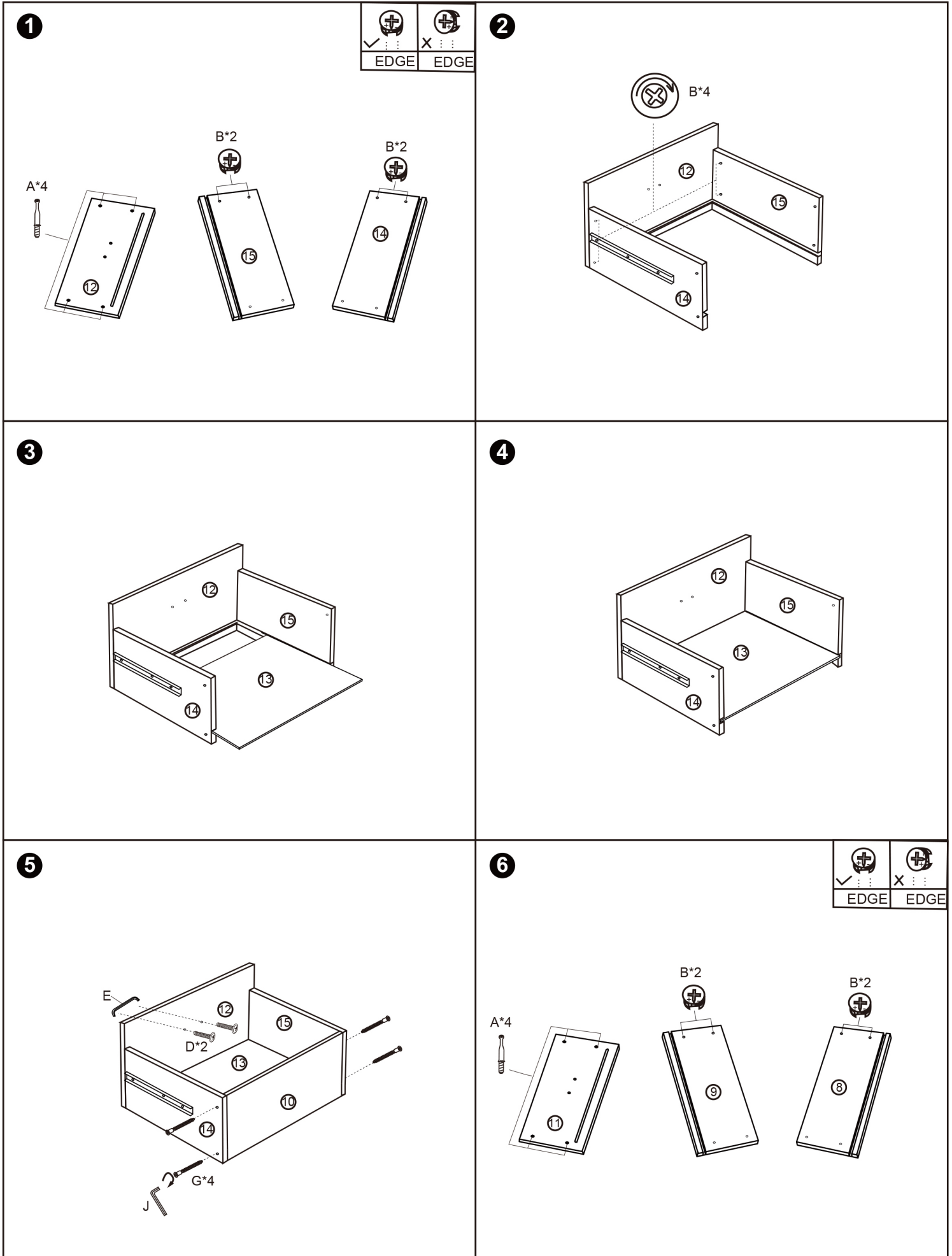


6154-3207

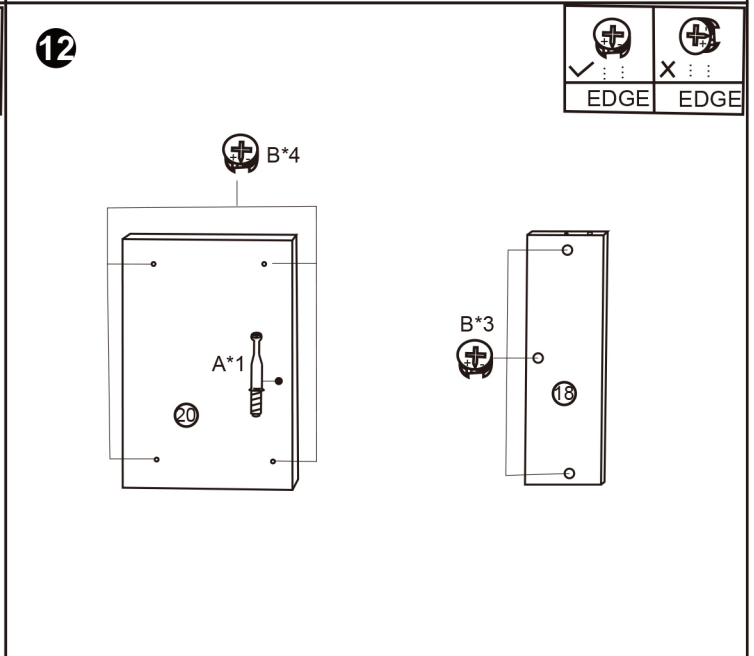
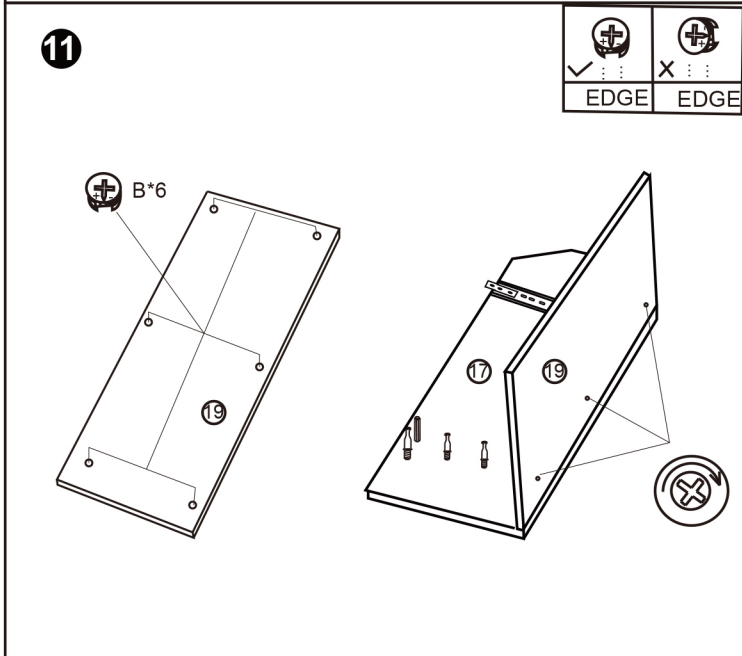
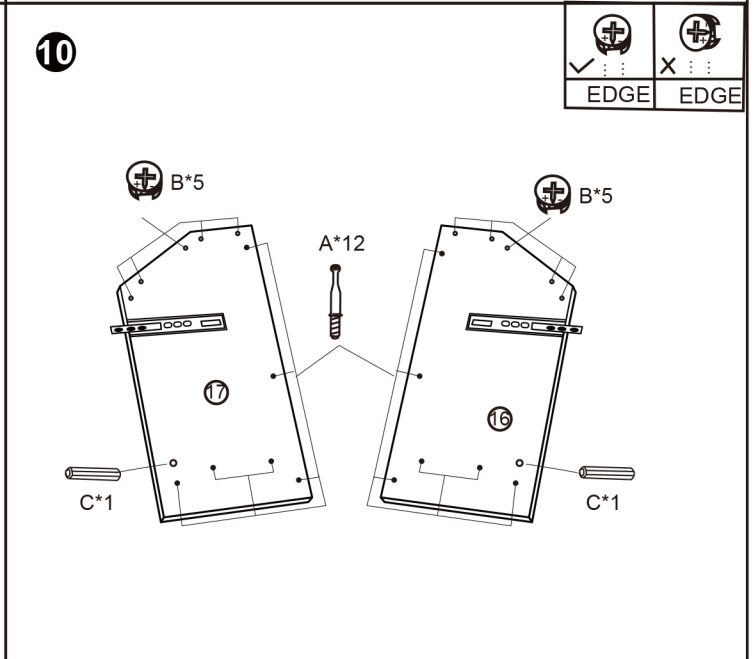
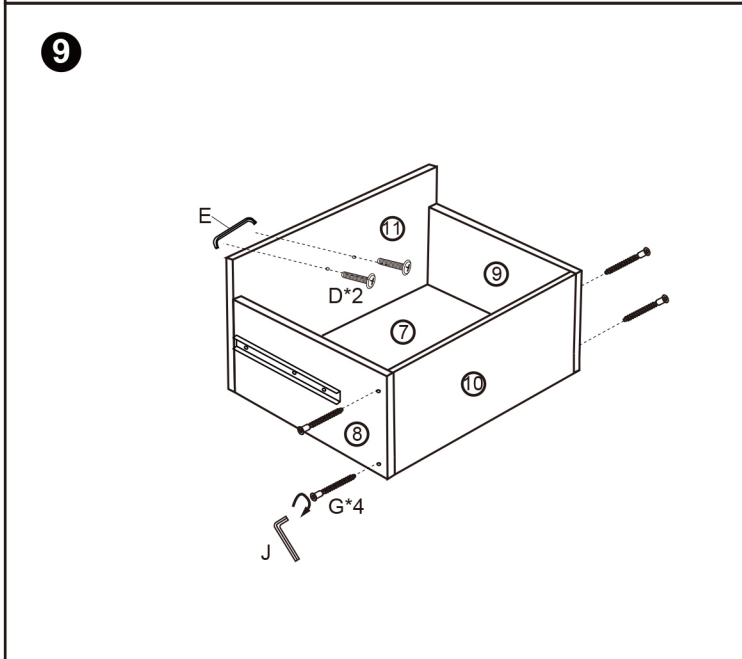
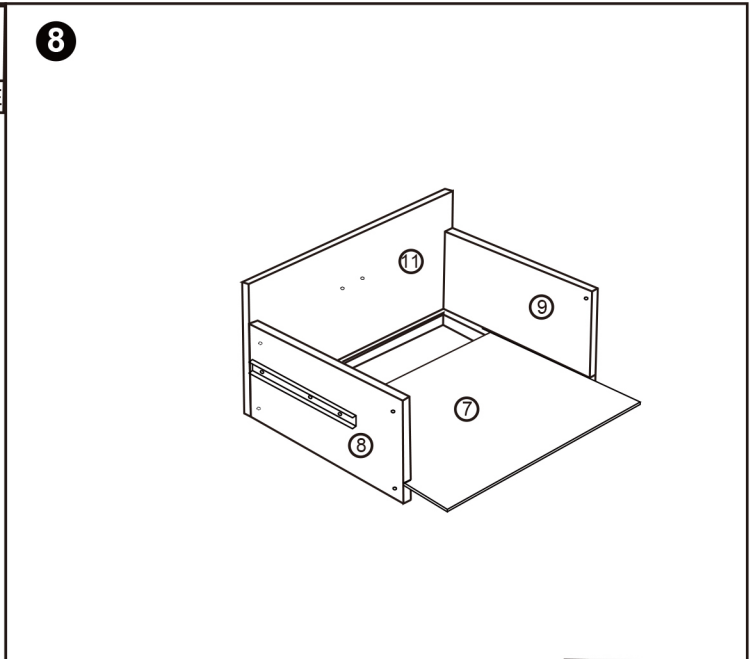
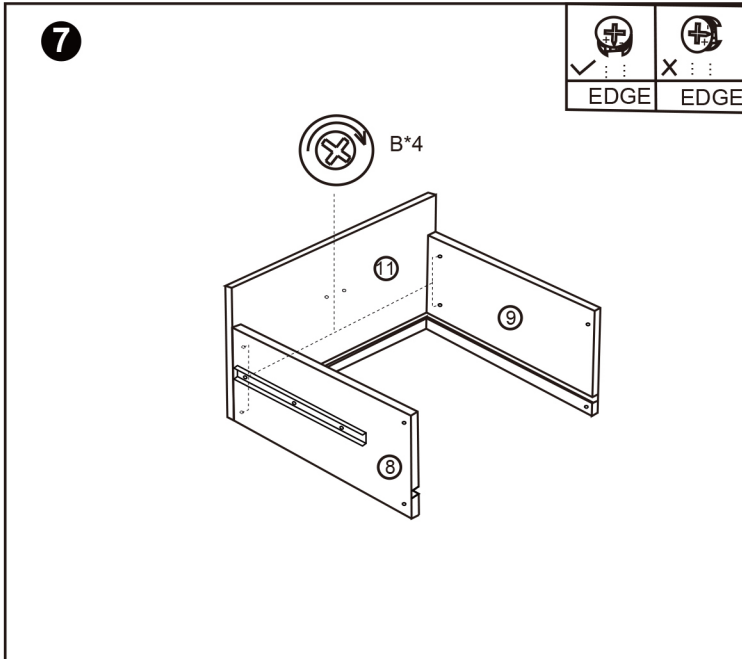
	985*368*16	1	①
	985*284*16	1	②
	985*284*16	1	③
	402*303*16	1	④
	368*265*16	1	⑤
	368*265*16	1	⑥
	319*244*5	1	⑦
	250*90*16	1	⑧
	250*90*16	1	⑨
	309*90*16	2	⑩
	399*150*16	1	⑪
	399*120*16	1	⑫
	300*90*16	1	⑬

	300*90*16	1	⑭
	319*294*5	1	⑮
	793*434*16	1	⑯
	793*434*16	1	⑰
	368*80*16	1	⑱
	793*368*16	1	⑲
	415*368*16	1	⑳
	402*303*16	1	㉑
	402*52*16	1	㉒
	402*182*16	1	㉓
	827*399*16	1	㉔
	440*399*16	1	㉕

**DO NOT USE A POWER DRILL TO TIGHTEN THE SCREWS
-TIGHTEN BY HAND WITH THE ALLEN KEY PROVIDED.
Before use please check all fixings are tightened fully.**



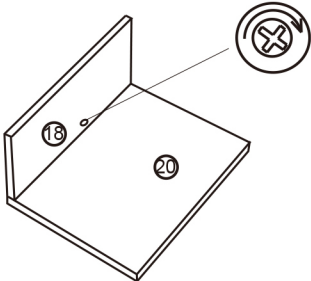
**DO NOT USE A POWER DRILL TO TIGHTEN THE SCREWS
 -TIGHTEN BY HAND WITH THE ALLEN KEY PROVIDED.
 Before use please check all fixings are tightened fully.**



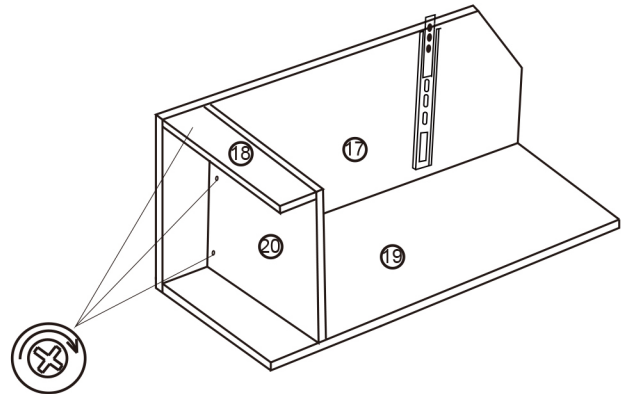
**DO NOT USE A POWER DRILL TO TIGHTEN THE SCREWS
 -TIGHTEN BY HAND WITH THE ALLEN KEY PROVIDED.
 Before use please check all fixings are tightened fully.**

EDGE	EDGE

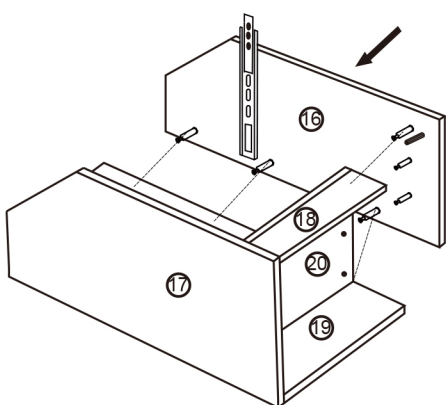
13



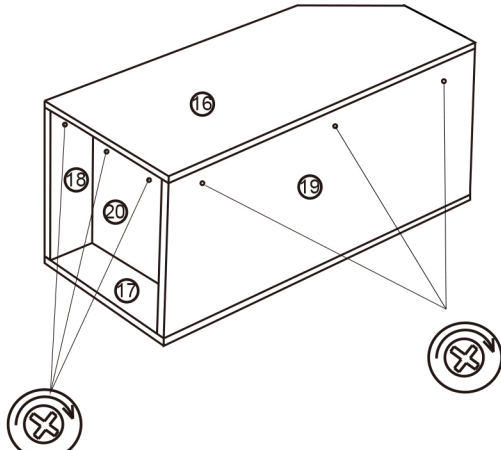
14



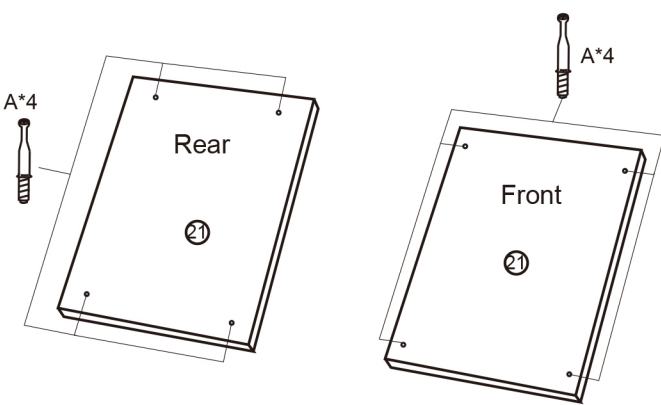
15



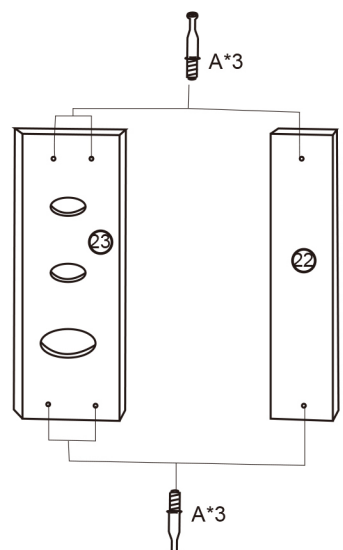
16



17

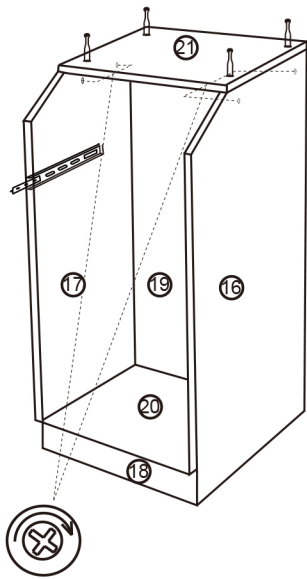


18

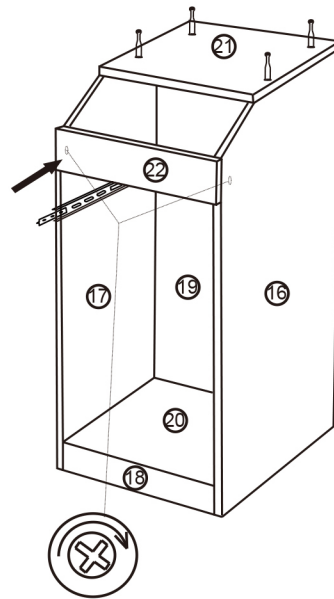


**DO NOT USE A POWER DRILL TO TIGHTEN THE SCREWS
 -TIGHTEN BY HAND WITH THE ALLEN KEY PROVIDED.
 Before use please check all fixings are tightened fully.**

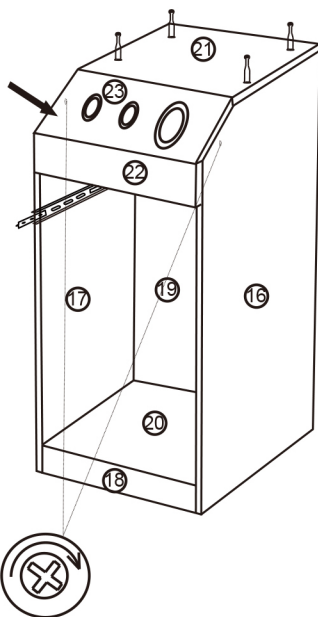
19



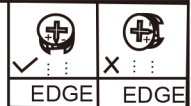
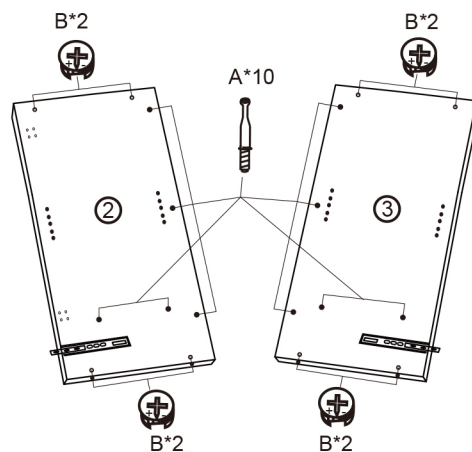
20



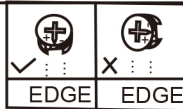
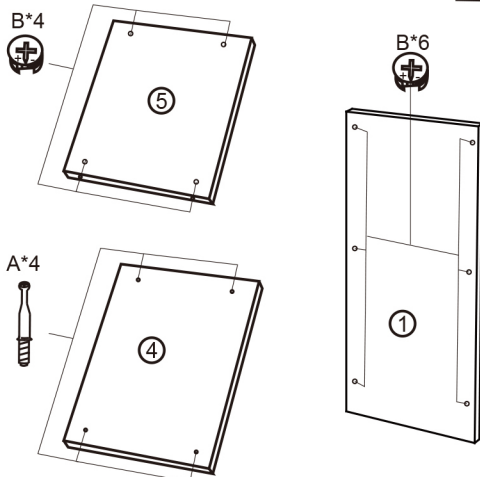
21



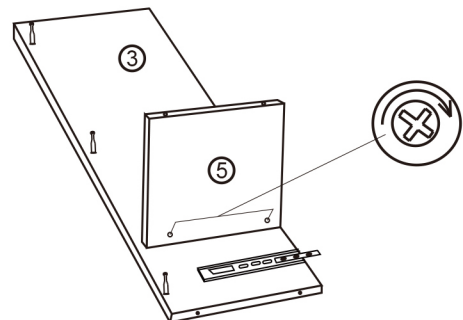
22



23

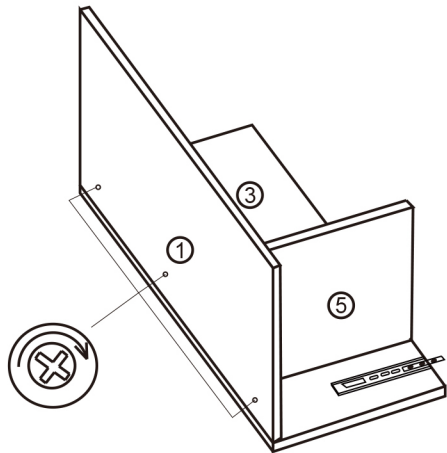


24

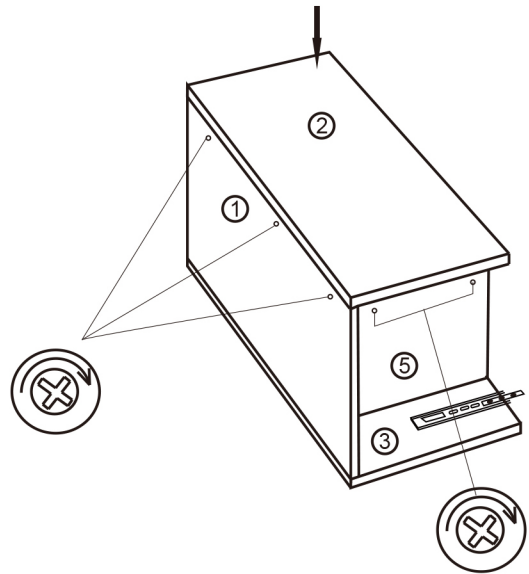


**DO NOT USE A POWER DRILL TO TIGHTEN THE SCREWS
 -TIGHTEN BY HAND WITH THE ALLEN KEY PROVIDED.
 Before use please check all fixings are tightened fully.**

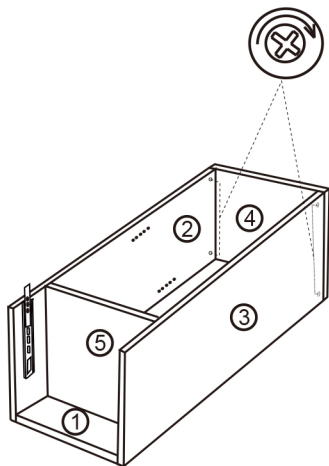
25



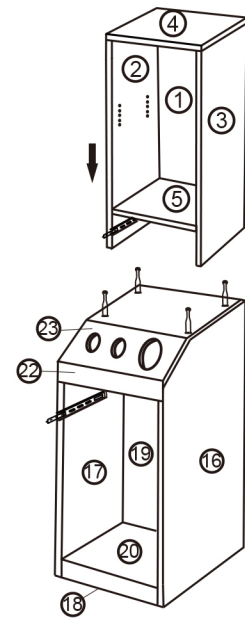
26



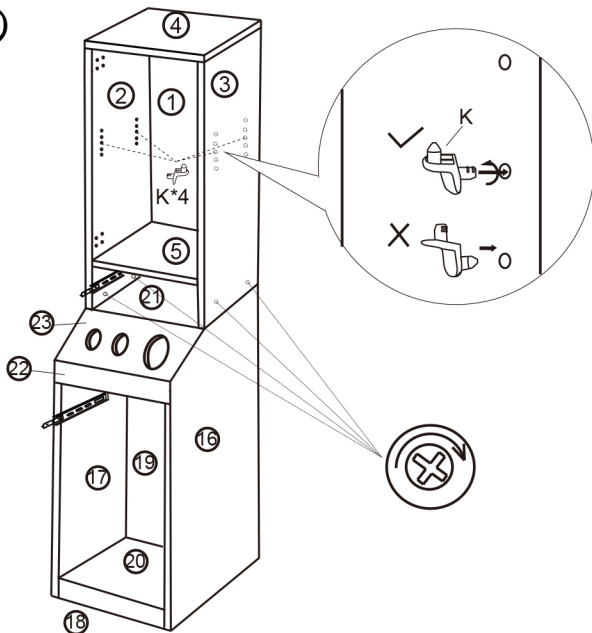
27



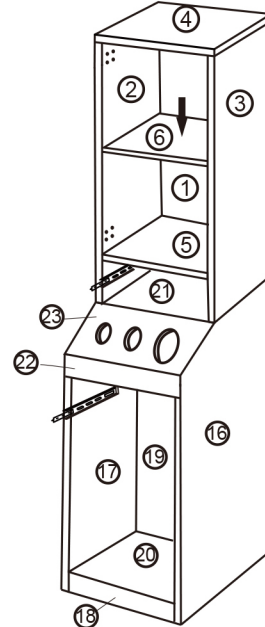
28



29

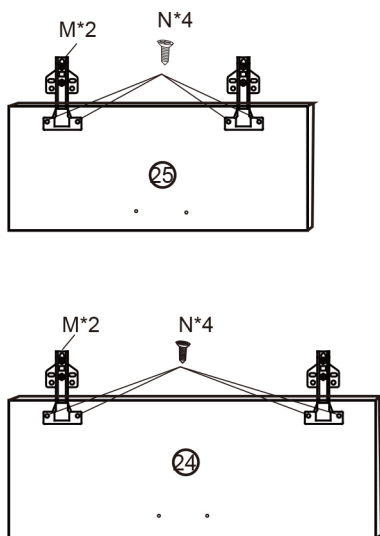


30

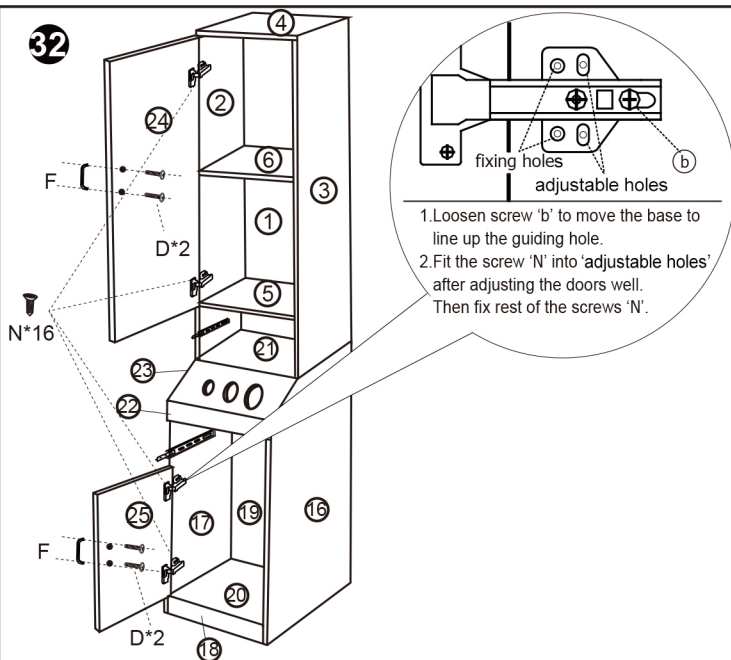


**DO NOT USE A POWER DRILL TO TIGHTEN THE SCREWS
-TIGHTEN BY HAND WITH THE ALLEN KEY PROVIDED.
Before use please check all fixings are tightened fully.**

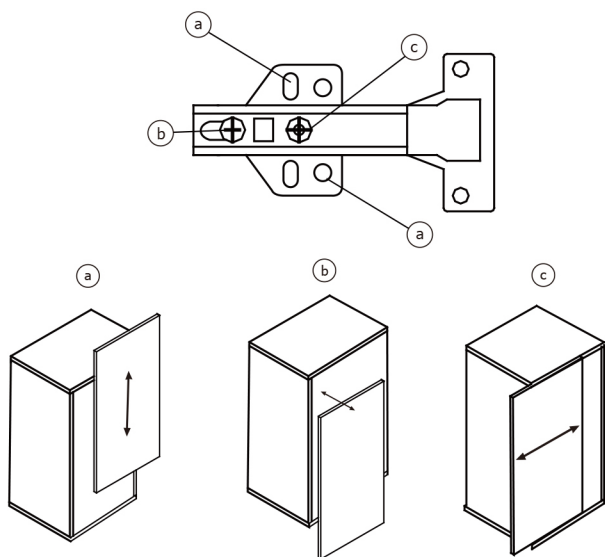
31



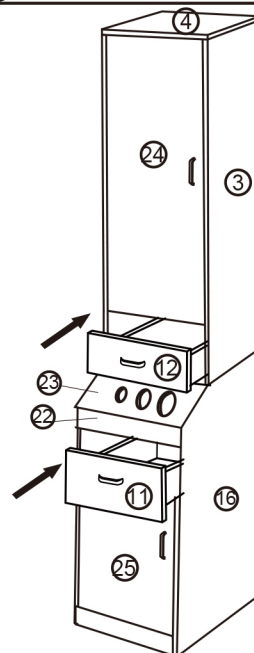
32



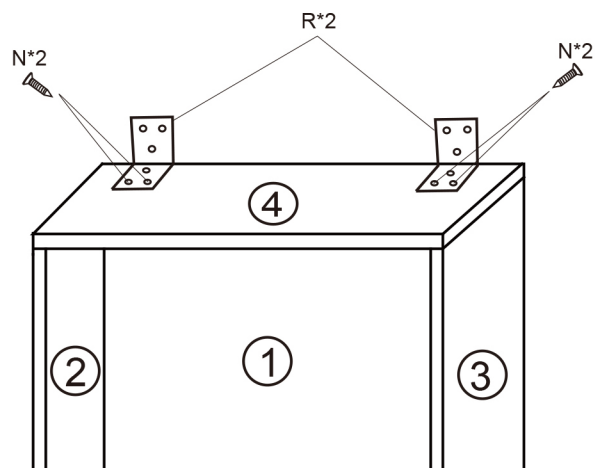
33 How to adjust the doors.



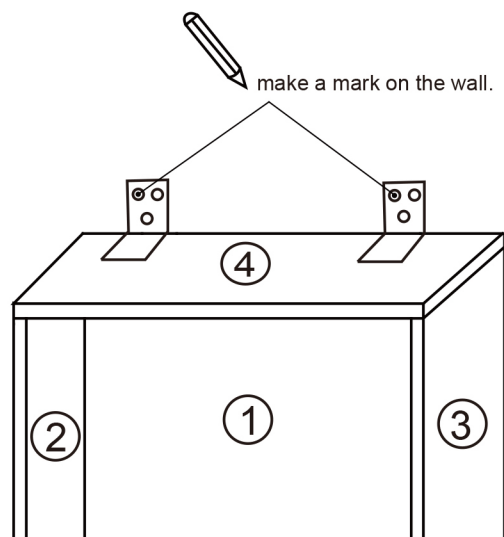
34



35

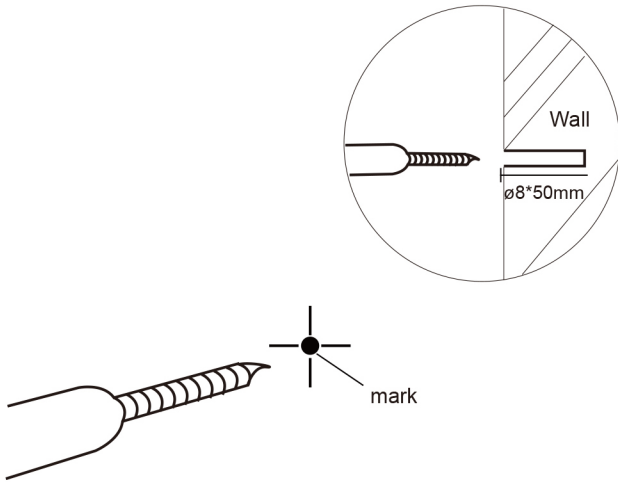


36 Lean the back against the wall, and mark the wall.

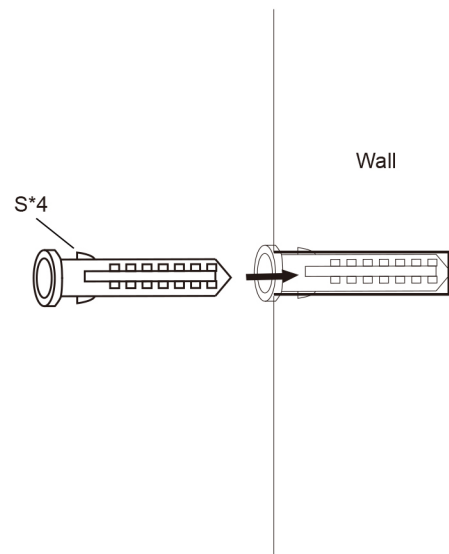


**DO NOT USE A POWER DRILL TO TIGHTEN THE SCREWS
-TIGHTEN BY HAND WITH THE ALLEN KEY PROVIDED.
Before use please check all fixings are tightened fully.**

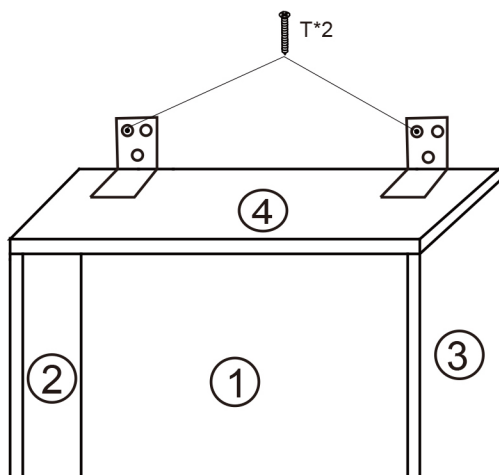
37 Drill into the wall.



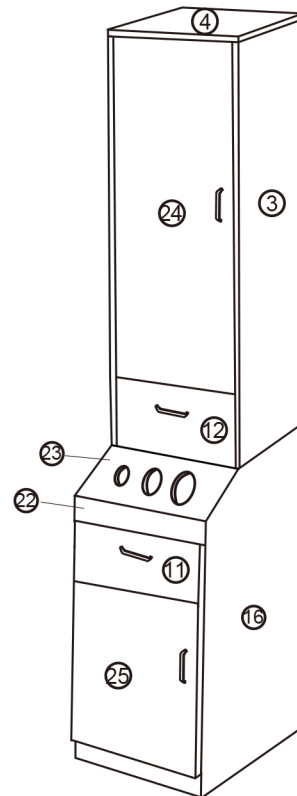
38



39



40



Note: Please fit cam covers (U) onto visible/exposed cams (B) to complete assembly.

Warranty Information

Limitations Applicable to All Warranties

All warranties are to the original purchaser from BarberPub® ONLY.

BarberPub® will replace the defective parts or send replacement chair provided that the warranty parts have not been subjected to misuse, abuse or improper service by the consumer, for example, damaged wire arising in consequence of negligence or improper operation.

Exclusions also include components with damage caused by:

- Contamination
- Abuse, misuse, accident, or negligence
- Commercial use, or use other than normal
- Improper operation, maintenance, or storage

BarberPub® will pay standard shipping rates on all warranted parts for the first year. We can also sell you replacement part for discount price when your chair is out of warranty policy.

Return/Replacement Policy

BarberPub® All of lift recliners come with a 90-day return/replace policy. During this time, we will cover the shipping cost of return and replacement for defective and damaged chair, through provide pre-paid return label or pick up service for customer's convenience. BarberPub® do not responsible for the returns that customer bought by mistake or changed their mind and other non-quality issues. The customer is responsible for freight costs unless the chair is defective. Chairs returned due to being refused by the customer or deemed undeliverable by freight carrier are subject to fees for freight both ways and a 20% restocking fee.

NOTICE: *If you have encountered any problems/issues in regards to your purchase, please contact us so we can address your concerns.*

WWW.BARBERPUB.COM

Tel: 1-323-597-1109

Email:sales@barberpub.com