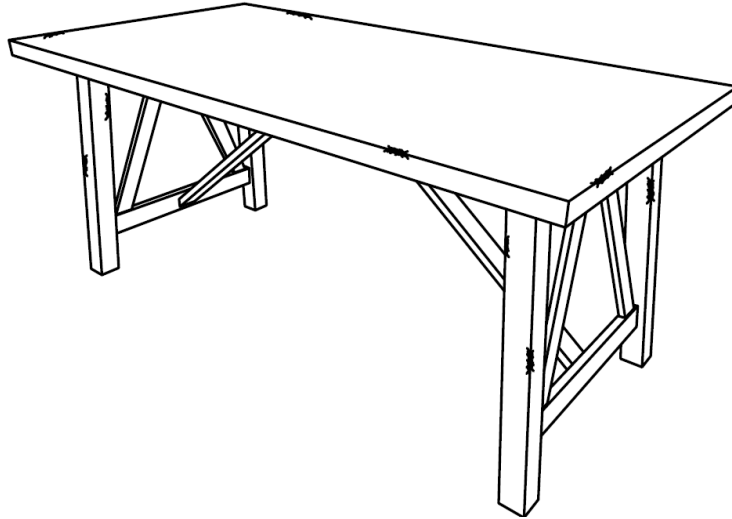


Assembly Instructions

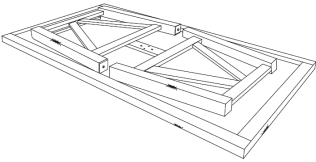
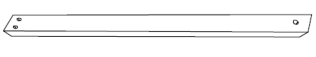
Caution: ● You must read this before you proceed.

● Set often ship in multiple boxes and may arrive a day or two apart.

Dining Table



Parts List

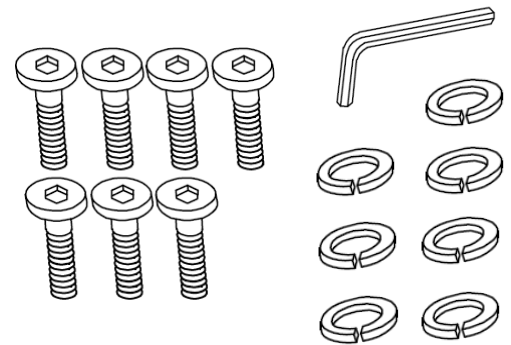
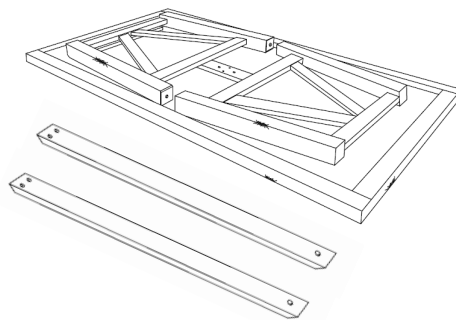
Label	Picture	Description	QTY
A		Top	1
B		Leg Support	2

Hardware

Label	Picture	Description	QTY
①		Allen Wrench	1
②		Bolt (M6 x 35mm)	7
③		Spring Washer (M6)	7

Assembly Preparation

Before Beginning Assembly :



- Read instructions, cover to cover-



- Have 2 adults on hand for assembly-



- Do not assemble on flooring or carpet-



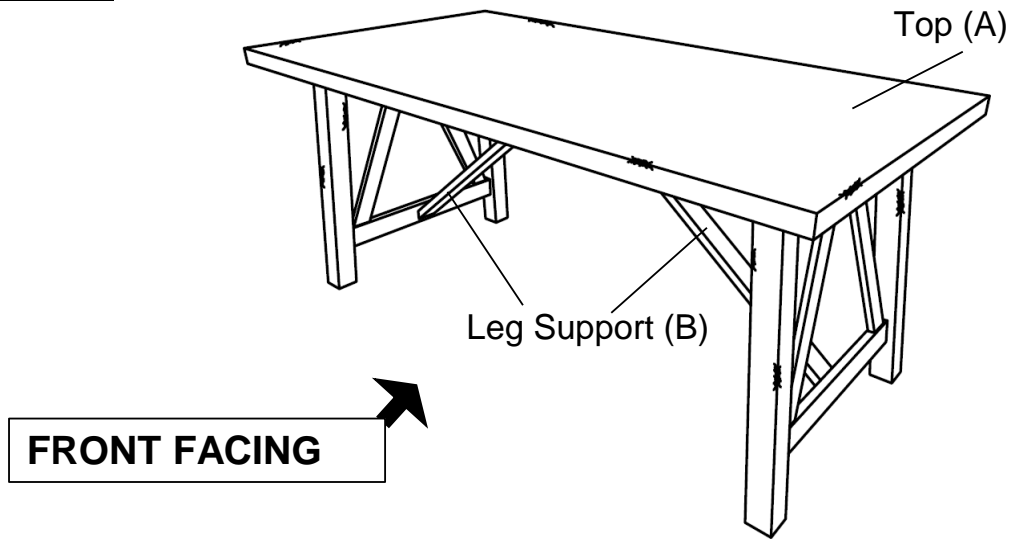
- Assemble on a clean non-marring surface (packing foam)-



- Save all packaging until finished-

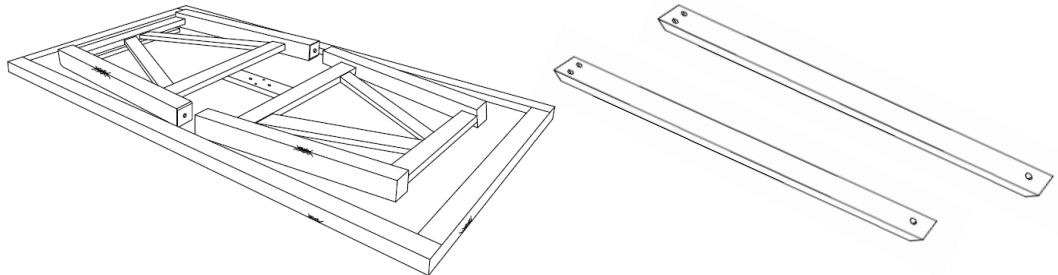
Assembly Steps

Overview



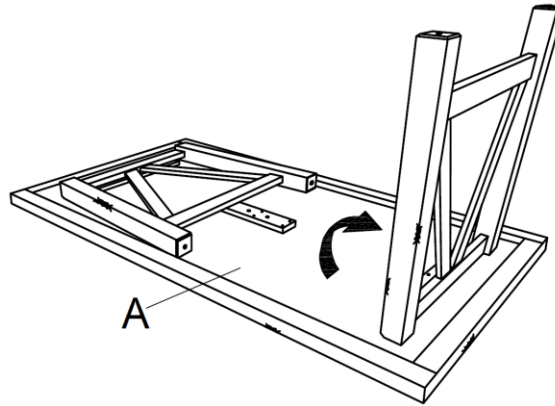
This Table has multiple parts and may require up to 30 minutes to assemble. To give you an overview of the Table parts, the above picture is to help you put the various parts into perspective. Please read through the instructions below to familiarise yourself with the parts and steps before assembly.

Step 1



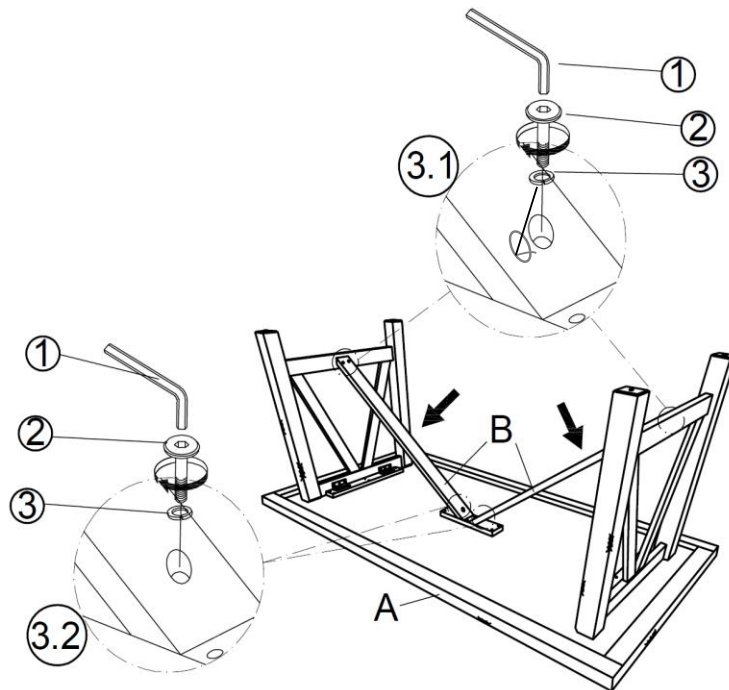
Unpack and place all parts on a clean, non-marring surface.

Step 2



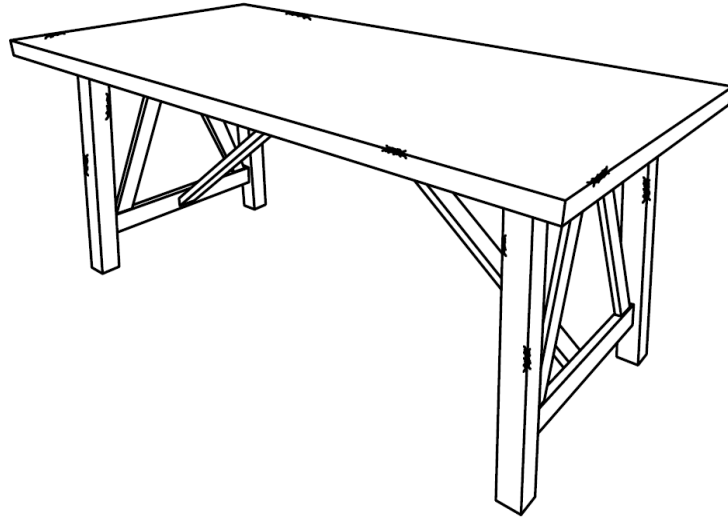
Turn out the Table Leg as shown above.

Step 3



Attach the Leg Support (B) to Table Leg using Bolt (②), and Spring Washer (③) with Allen Wrench(①). Then attach Leg Support (B) to the wooden block on Top (A) using Bolt (②), and Spring Washer (③) with Allen Wrench(①). Do not fully tighten the Bolts.

Step 4



Stand the Table up, with assistance from your partner.
EXPERT pressure, floorwards, onto the Table.
This pressure will help the Legs and Top reach alignment at all joints.
Check for wobbles on a level surface. If no
wobbles are found, in a sequential manner, gradually tighten all Bolts until
evenly secured.

**CAUTION 1: When tightening the Bolts, tighten sequentially.
DO NOT tighten any bolt fully and then towards the next one.
This would cause the frame to warp.**

**If there is still wobbles, loosen the Bolts and execute this same
process.**

**WARNING!! IF DINING TABLE IS NOT STABLE , IT COULD LEAD TO
DAMAGING THE PRODUCT.**

Ensure all bolts are fully locked into position.
The Dining Table is ready to be used.

Caution 2: This Dining Table can only be used on a flat, level surface.

Care & Maintenance



- Furniture may scratch floors. We recommend using furniture pads to protect your floors.



- Do not put hot items directly on furniture surface.



- Do not clean furniture with harsh cleansers or polish.



- Do not place furniture under direct sunlight.



- Do not place furniture near heating or cooling vents.



- Do not write on furniture without a padded barrier to protect the surface.



- Do not place furniture outside . For indoor use only.



- Not for commercial use. For residential use only.



- Stains may be removed with mild soap solution and damp cloth.



- Children should not climb or jump on the furniture.



- Dust and pick-up spills using a clean, non-colored, lint-free cloth.