






Examine all packaging material for small parts that may have come loose during shipment. Periodic checks are recommended to insure that all components are in proper position, tight and free from damage. Keep this assembly instruction for future reference. Adult assembly is required.

HARDWARE LIST

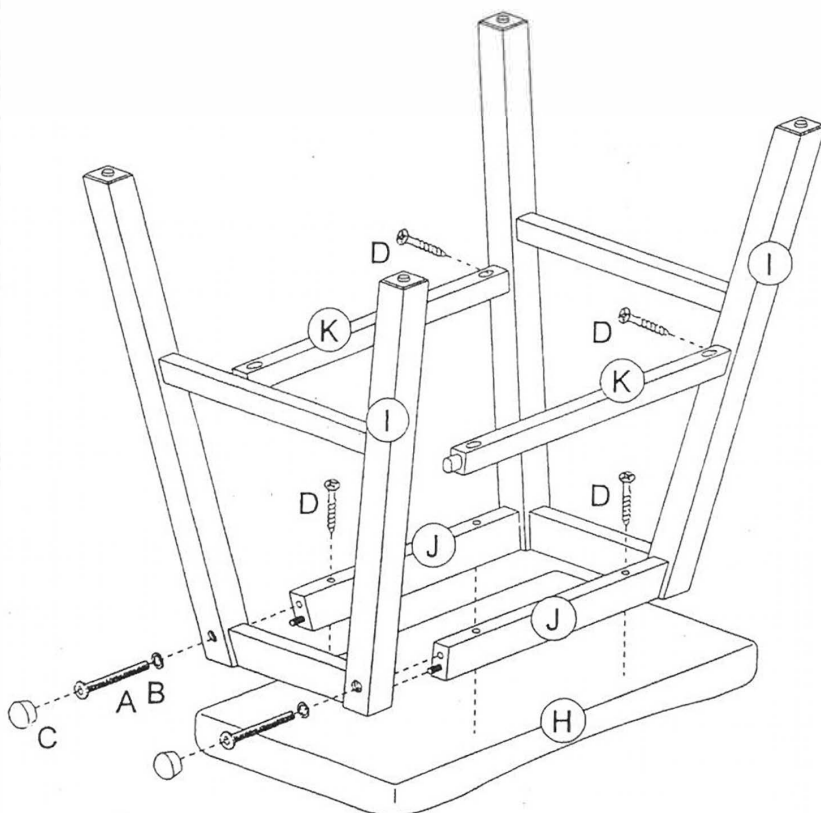
- A (4) Allen Bolts M6 x 40mm
- B (4) Spring Washers
- C (4) Wood Plug
- D (8) Wood Screws M4 x 32mm
- E (1) Allen Wrench

PARTS LIST

- H (1) Wood Seat
- I (2) Leg Panels
- J (2) Apron
- K (2) Stretchers

PART	QTY	HARDWARE	PART	QTY	HARDWARE
A	4		B	4	
C	4		D	8	
E	1				

This drawing is a generic drawing of the original item you purchased. All assembly remains the same.



STEP 1

Begin the assembly by attach each Leg Panel (I) to the Apron (J) by using 1 Allen Bolts (A) & 1 Spring Washers (B). Do Not Fully Tighten.

STEP 2

Attach each Stretcher (K) to Leg Panel (I) by securing with 1 Wood Screw (D) per each side. Tighten screws with a Philip head screwdriver (not included) and Bolts with Allen Wrench (E) provided.

STEP 3

Next insert 1 Wood Plug (C) to cover the Bolt head.

STEP 4

Attach Apron (J) to the Wood Seat (H) by using 4 Wood Screws (D) to secure in place. Tighten all screws. The assembly is now complete.

CARE & MAINTENANCE: The touch of a soft cloth is all the maintenance the finish will ever need. Please do not use harsh or abrasive cleaners for polishing, as they may cause damage to the finish. Periodic checks are recommended to make sure that all bolts, screws and nuts are securely tightened.