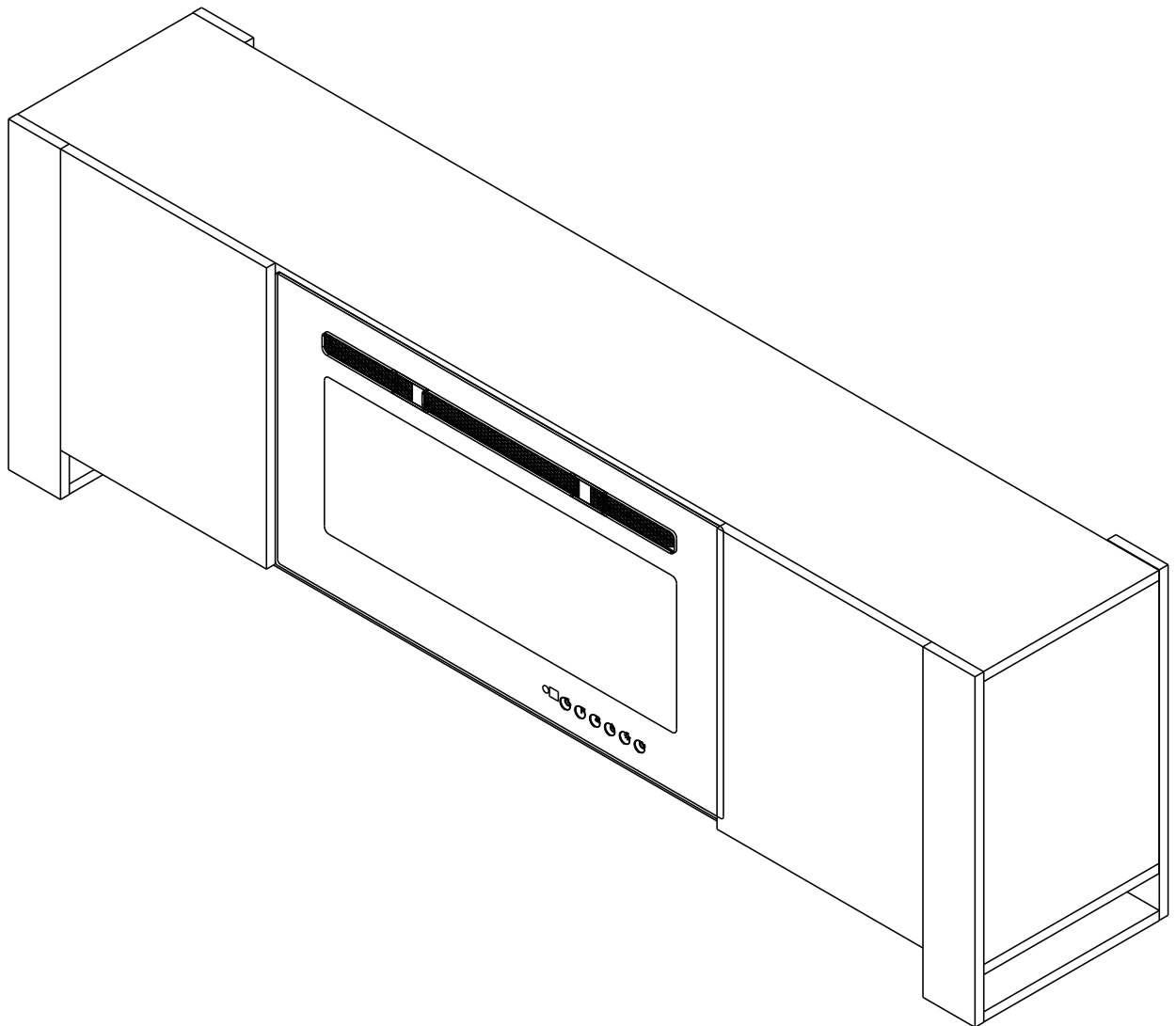
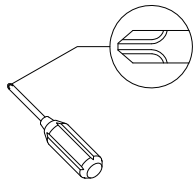


INSTRUCTION MANUAL

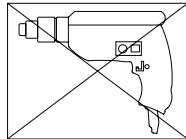


General Assembly Guidelines

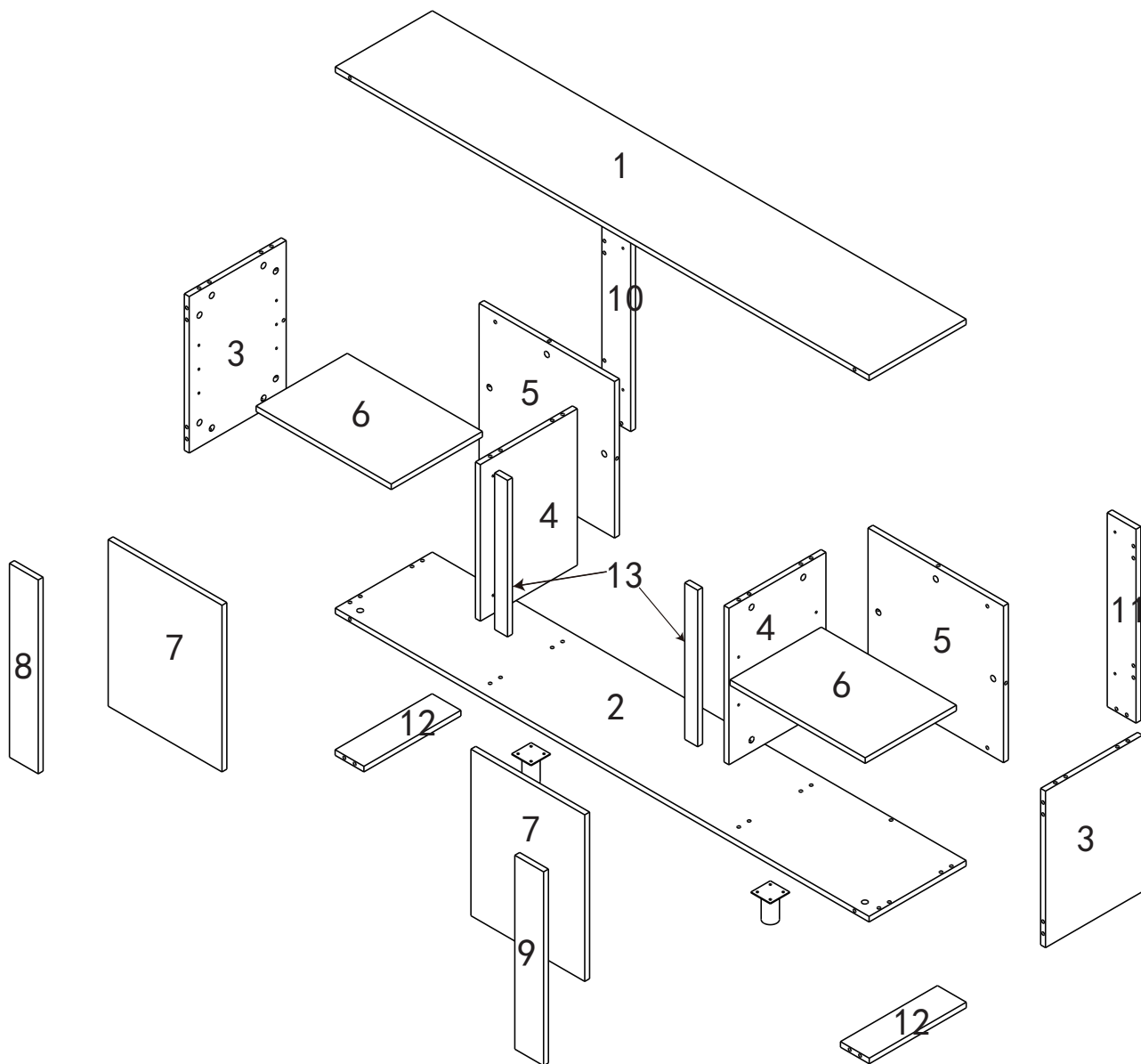
- I. Ensure that all parts and hardware are available before beginning assembly.
- II. Follow each step carefully to ensure the proper assembly of this product.
- III. Two people are recommended for ease in the assembly of this product.
- IV. The four main types of hardware used to assemble this product are: wood dowels, cam bolts and locks, bolts and screws.
- VI. A Phillips head screwdriver is required for the assembly of this product.



- VII. Power tools should not be used to assemble this product.



Partes List



Hardware List

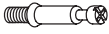

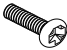

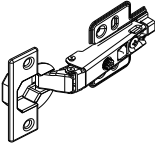

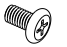



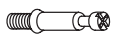
A			Cam lock	44 PCS
B			Cam bolt	44 PCS
C		Ø 6x24mm	Long bolt	4 PCS
D		Ø8x40mm	Wood dowel	24 PCS
E			Hinge	4 PCS
F			Adapting piece	4 PCS
G		Ø 6x14mm	Bolt	8 PCS
H		Ø 4x16mm	Medium screw	32 PCS
I			Partition bracket rivet	8 PCS
N			Adjustable Foot	2 PCS

Fig.1

A  10

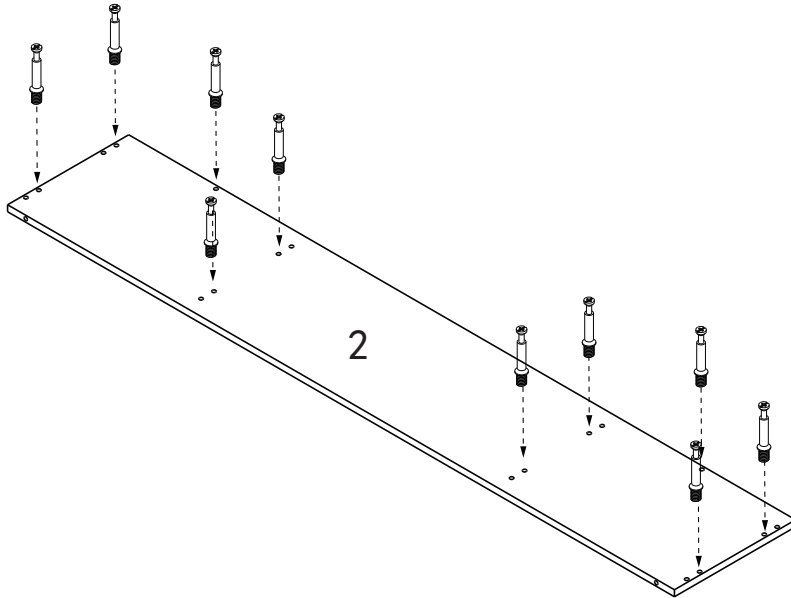
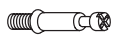


Fig.2

A  10

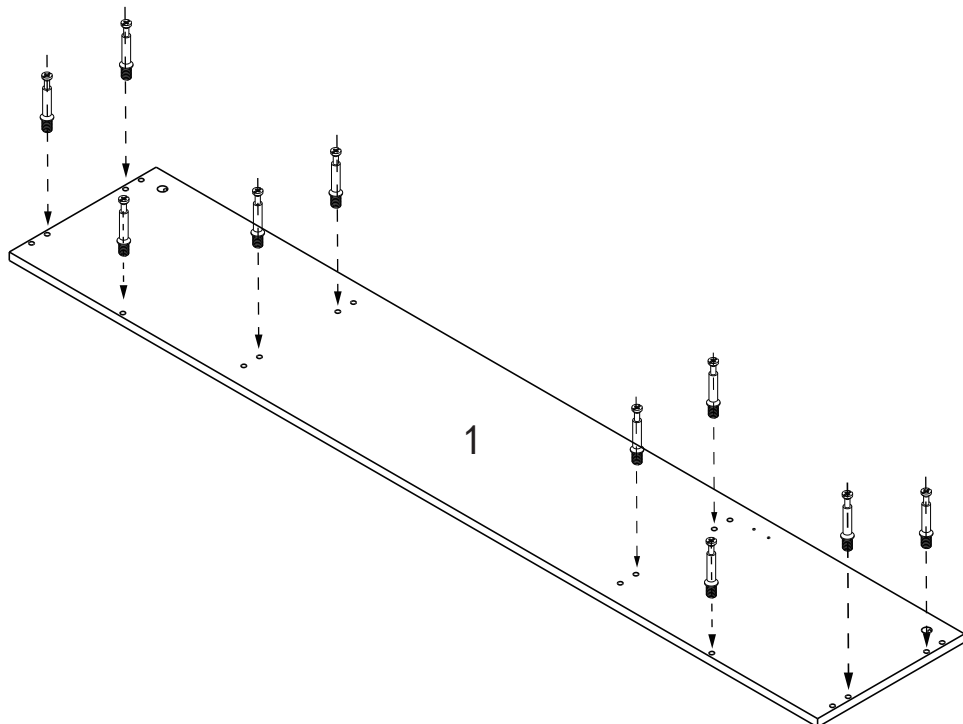


Fig.3

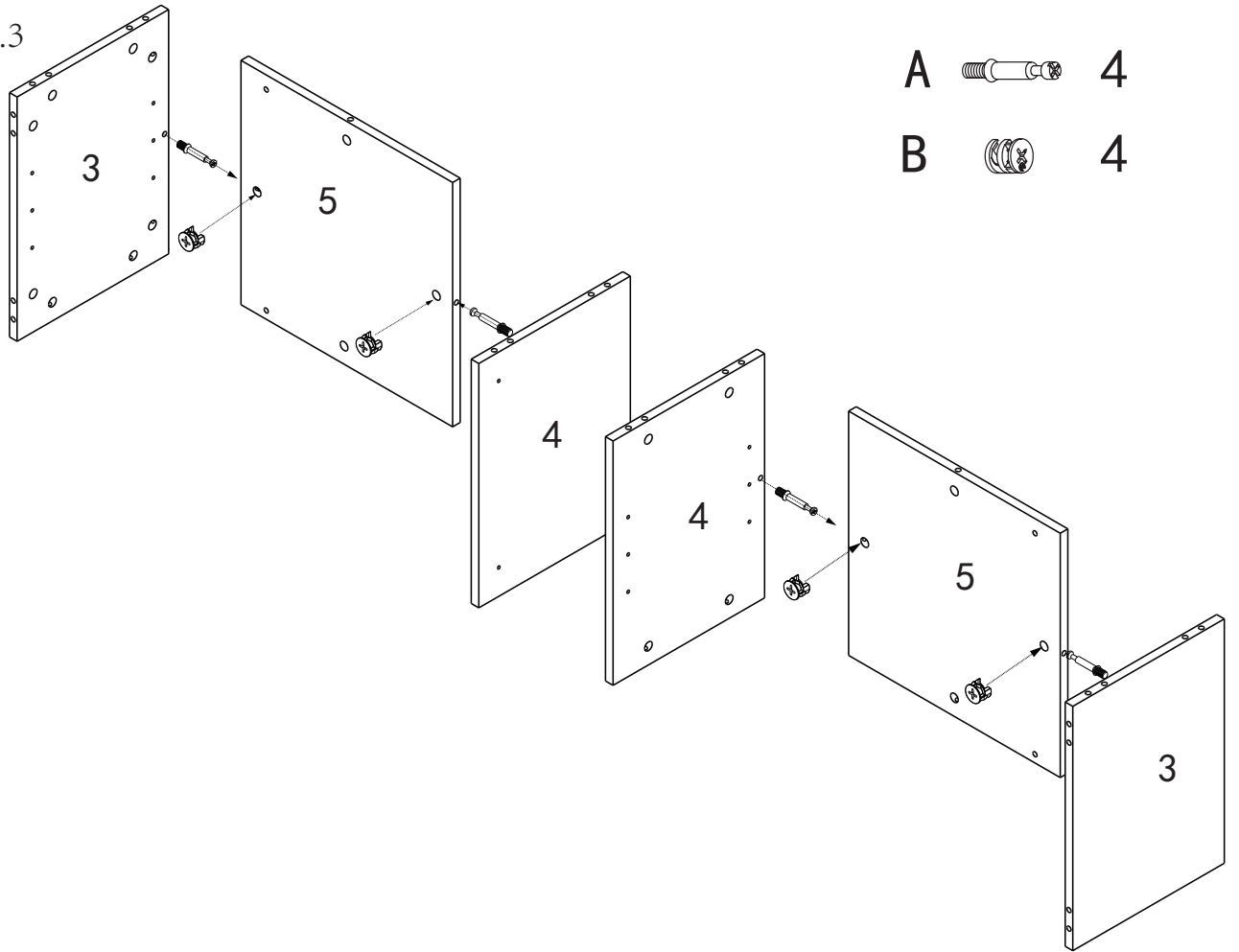


Fig.4

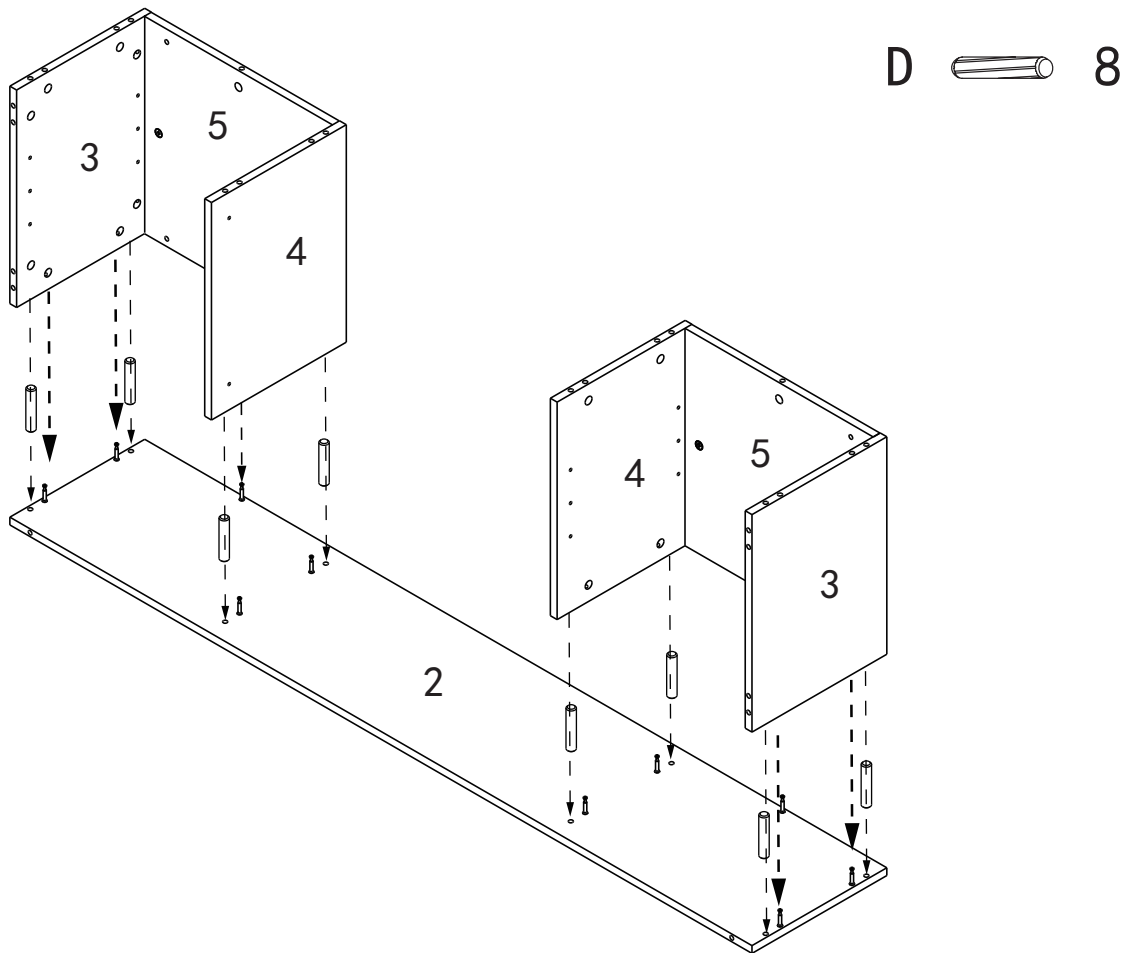


Fig.5

B  10

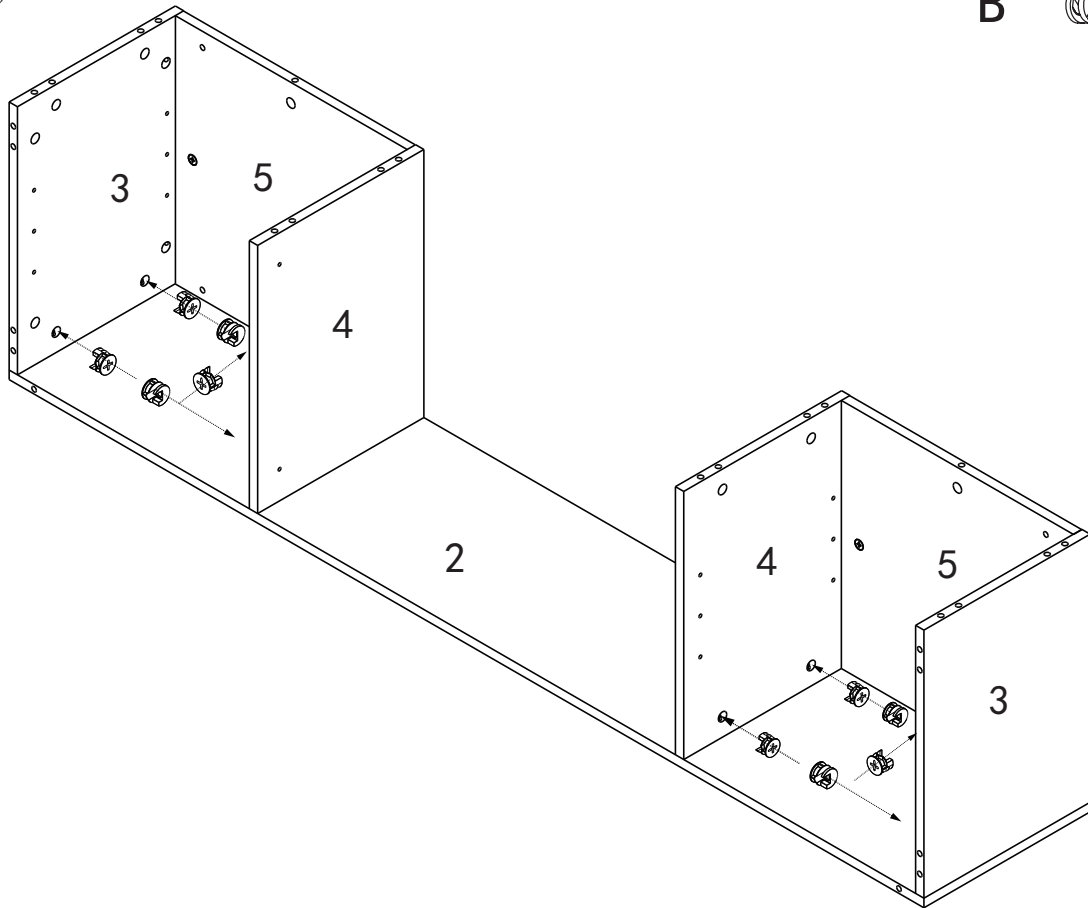


Fig.6

D  4

B  10

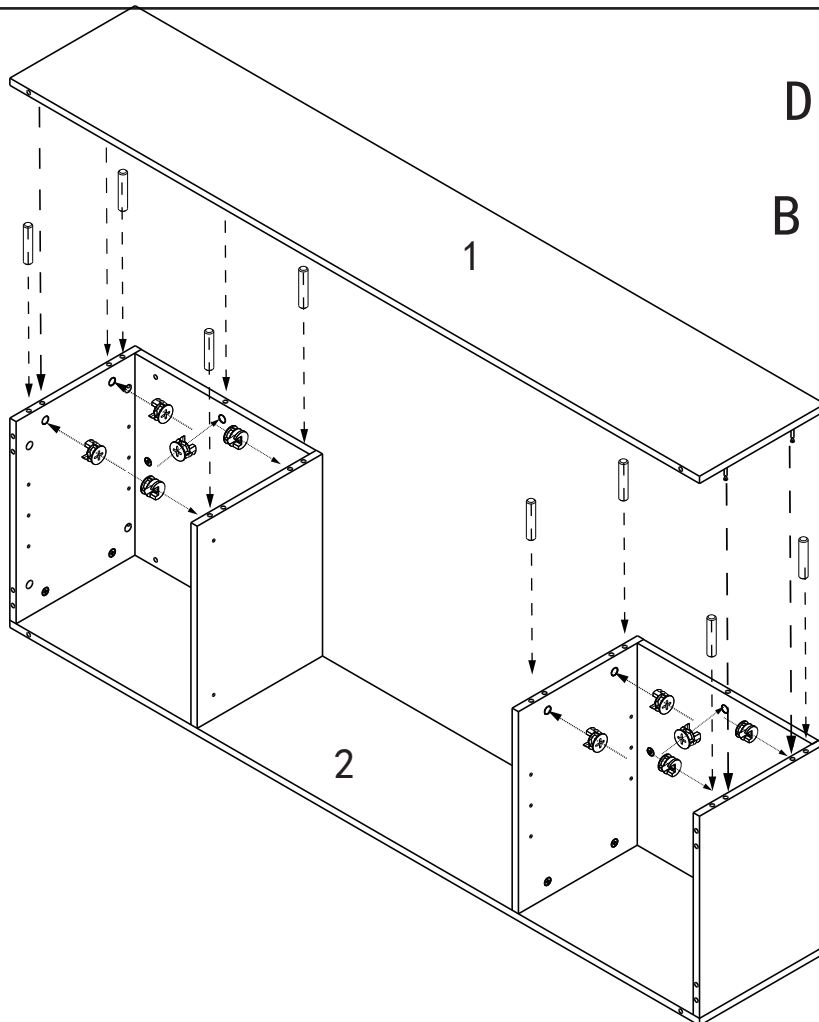
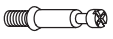

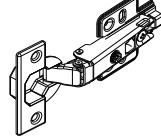


Fig.7

- A  12
- H  16
- E  4

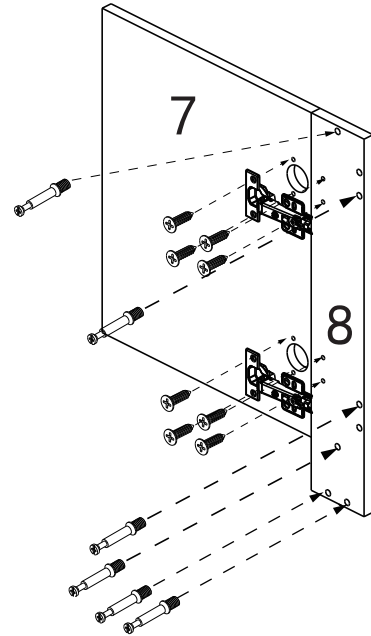
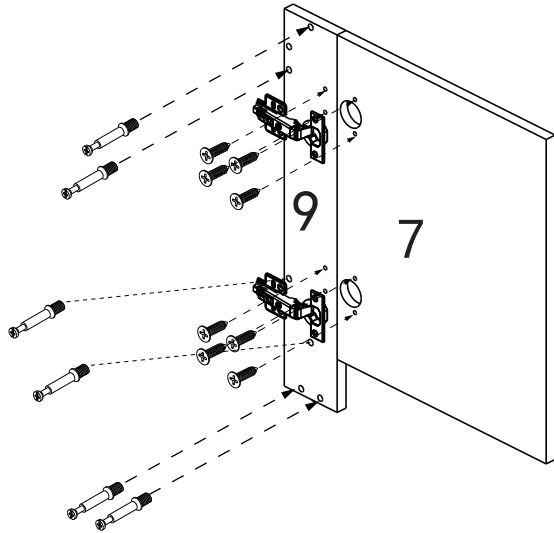

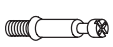


Fig.9

- B  4
- A  8

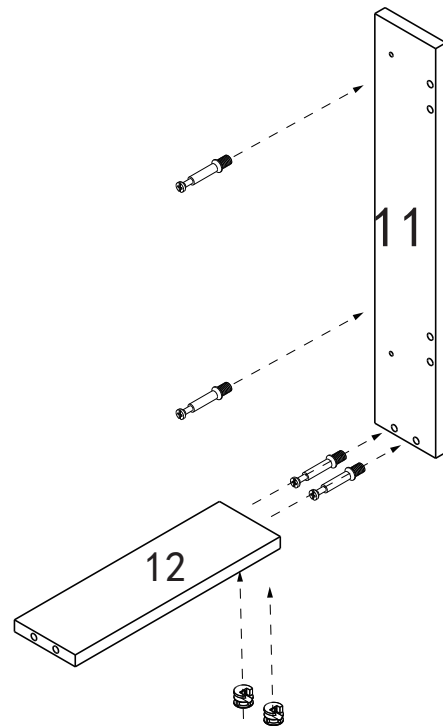
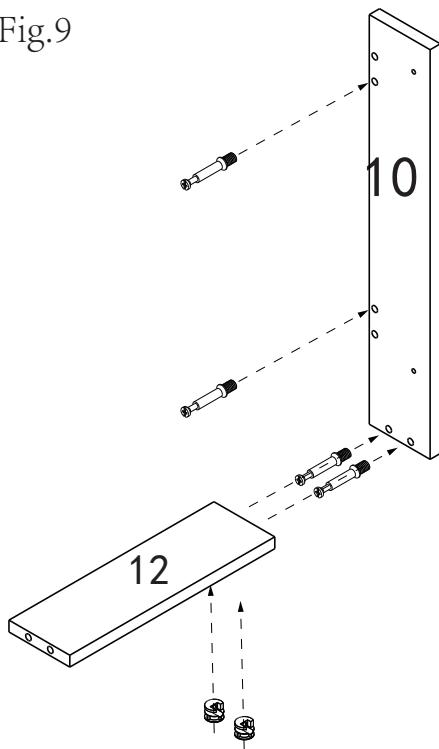


Fig.10

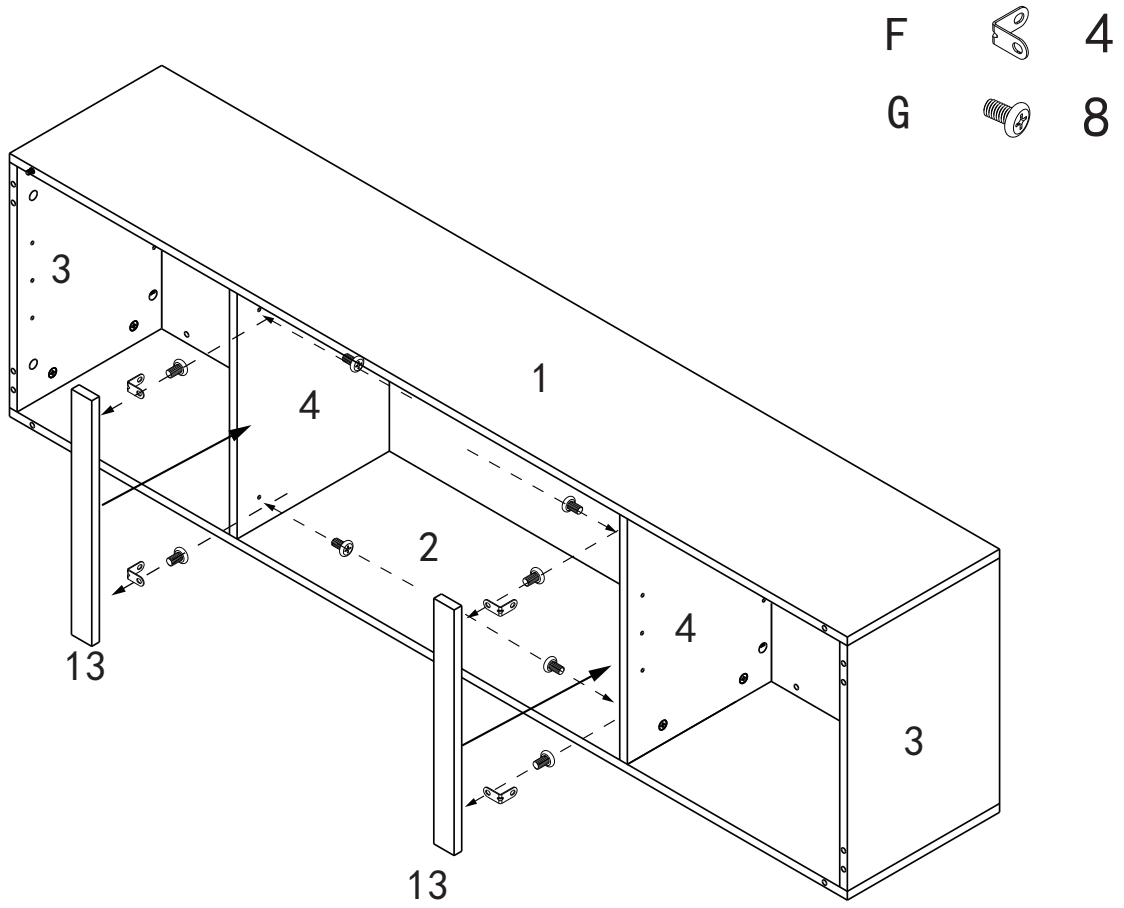


Fig.11

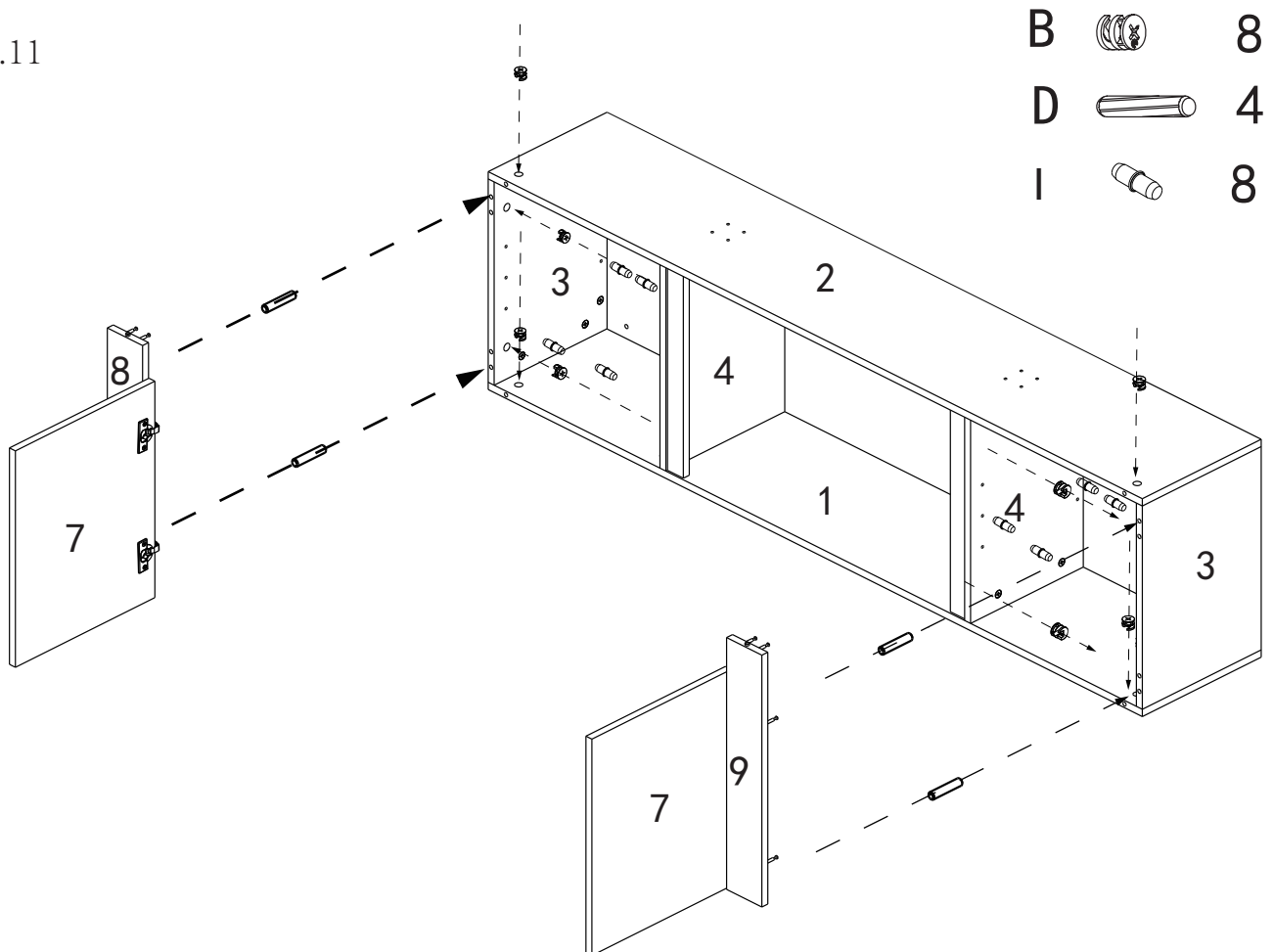


Fig.12

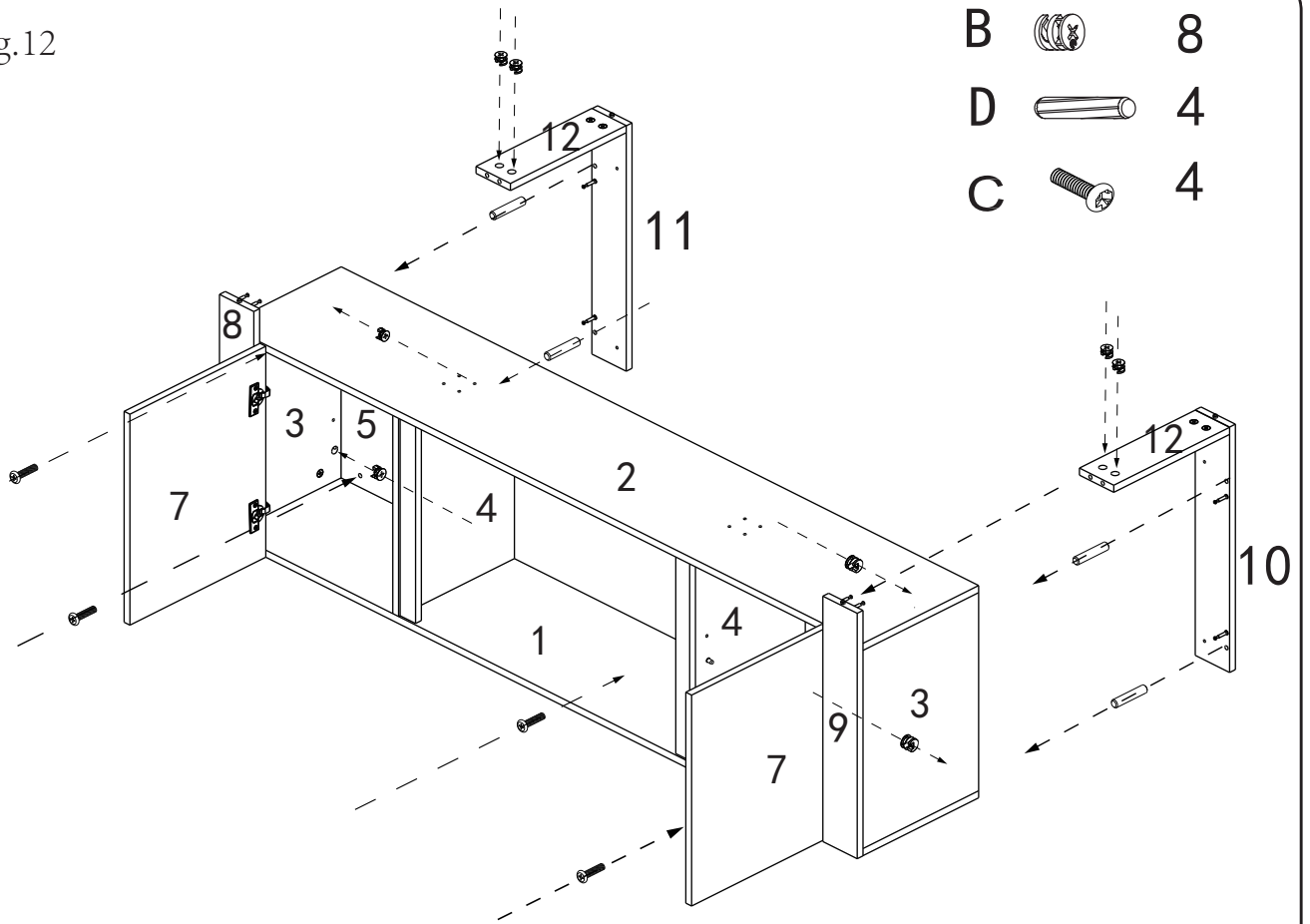


Fig.13

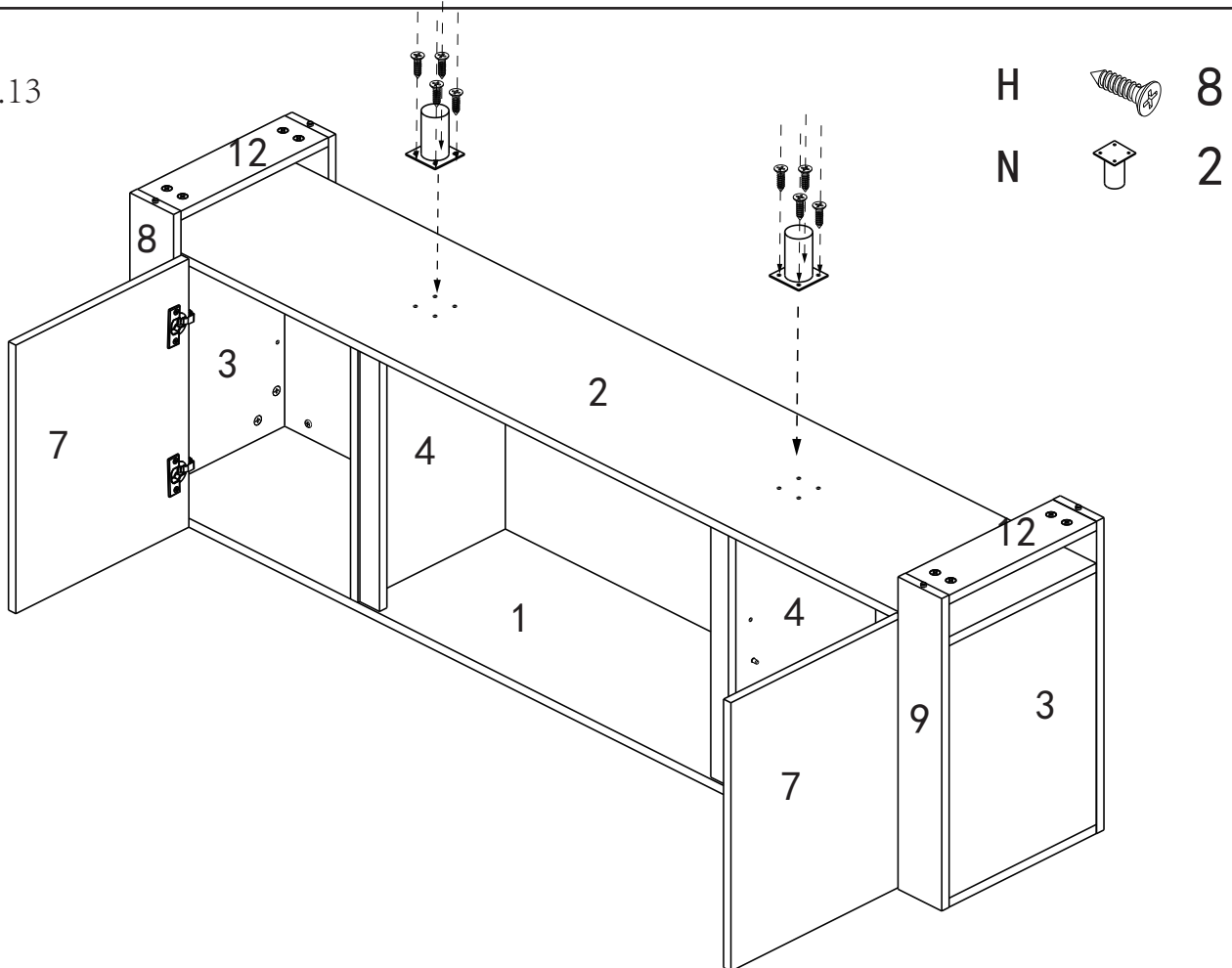


Fig.14

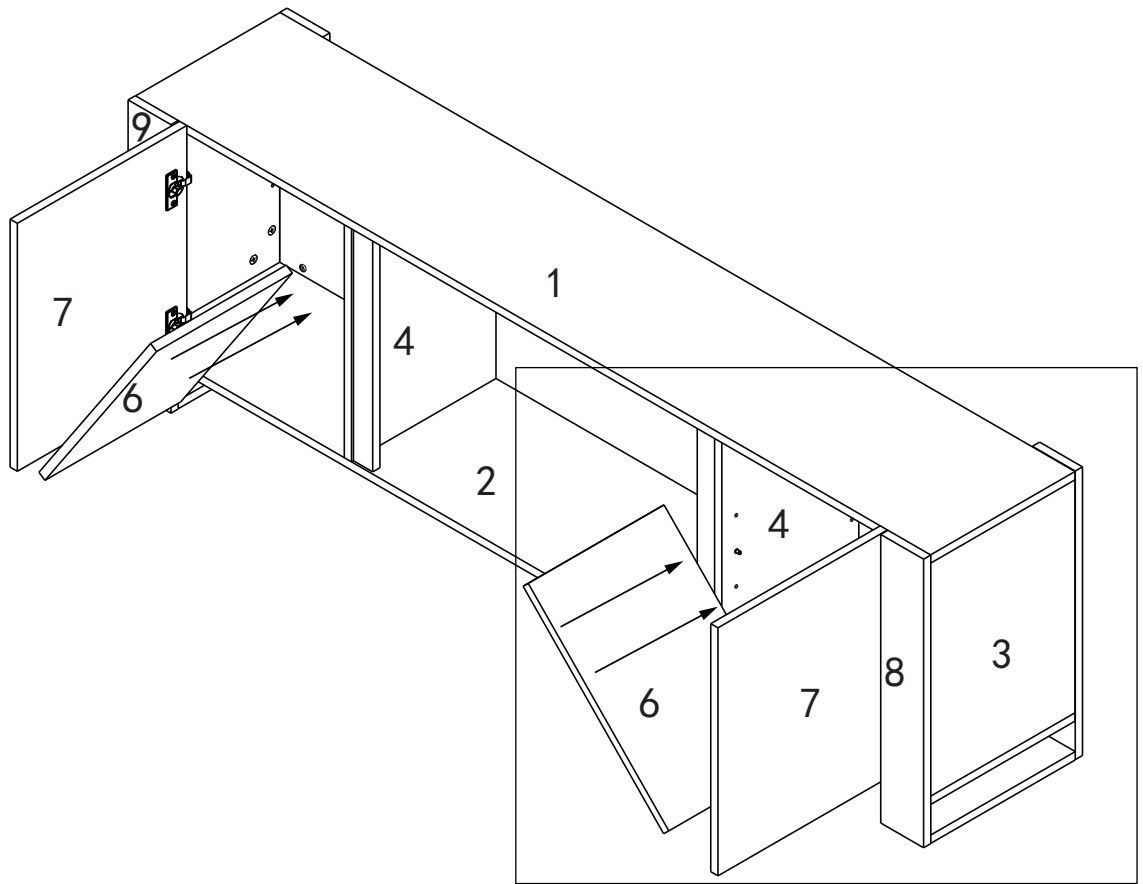
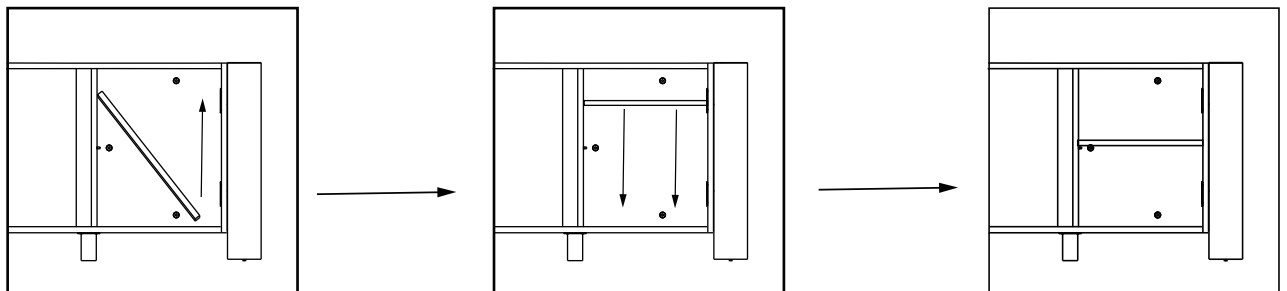
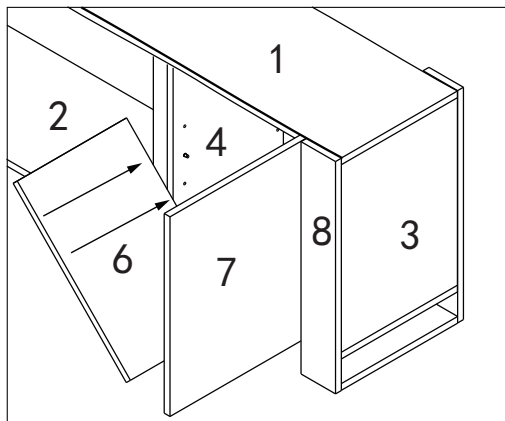
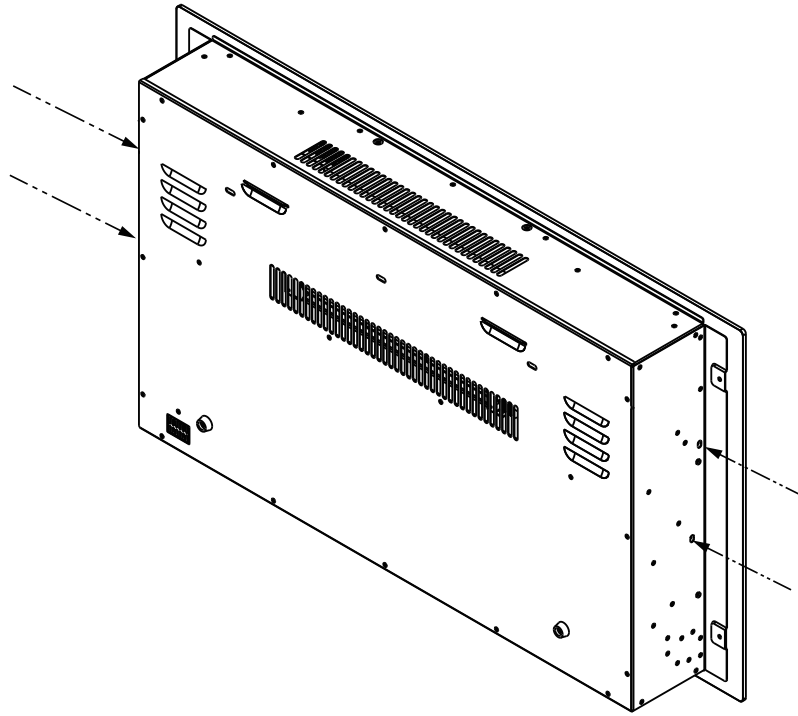
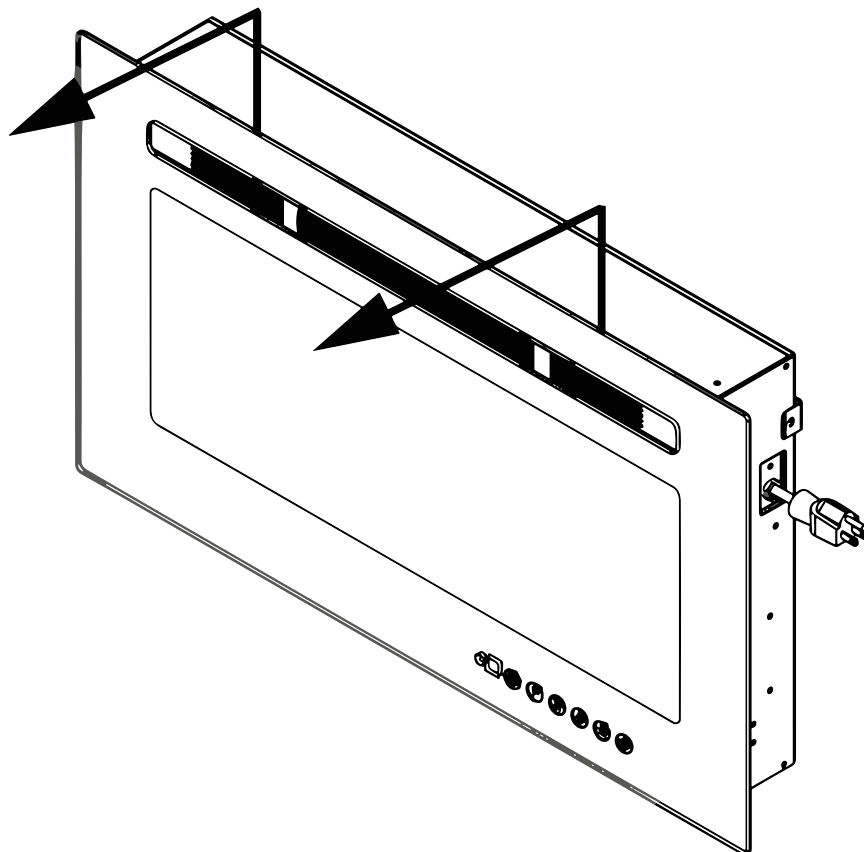


Fig.15





Take off the two screws in both sides of the fireplace



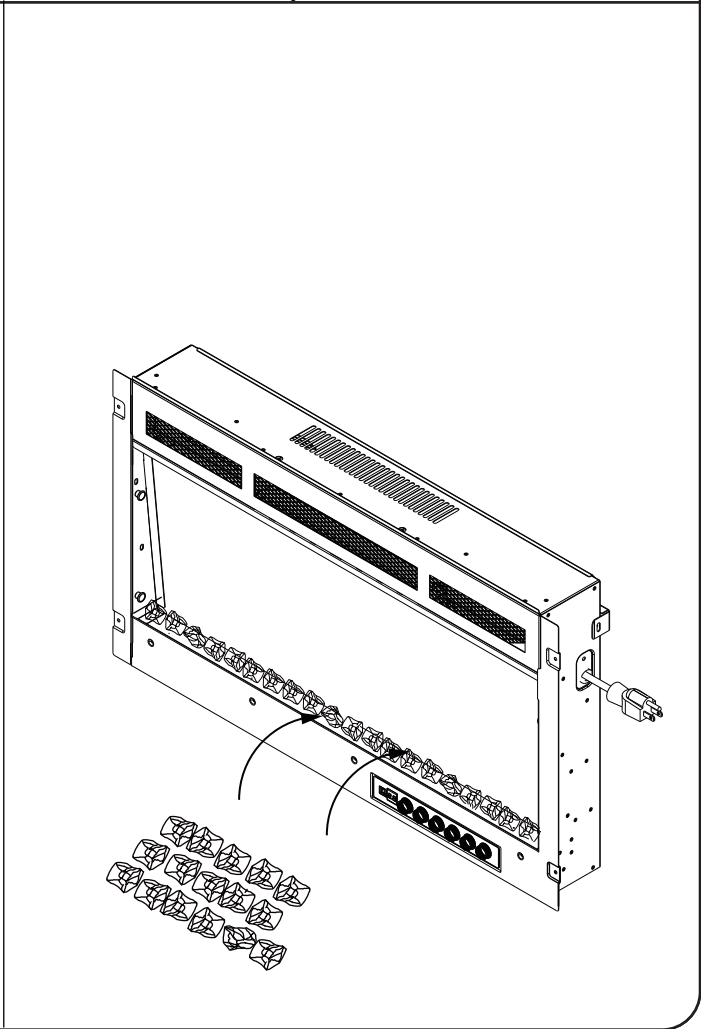
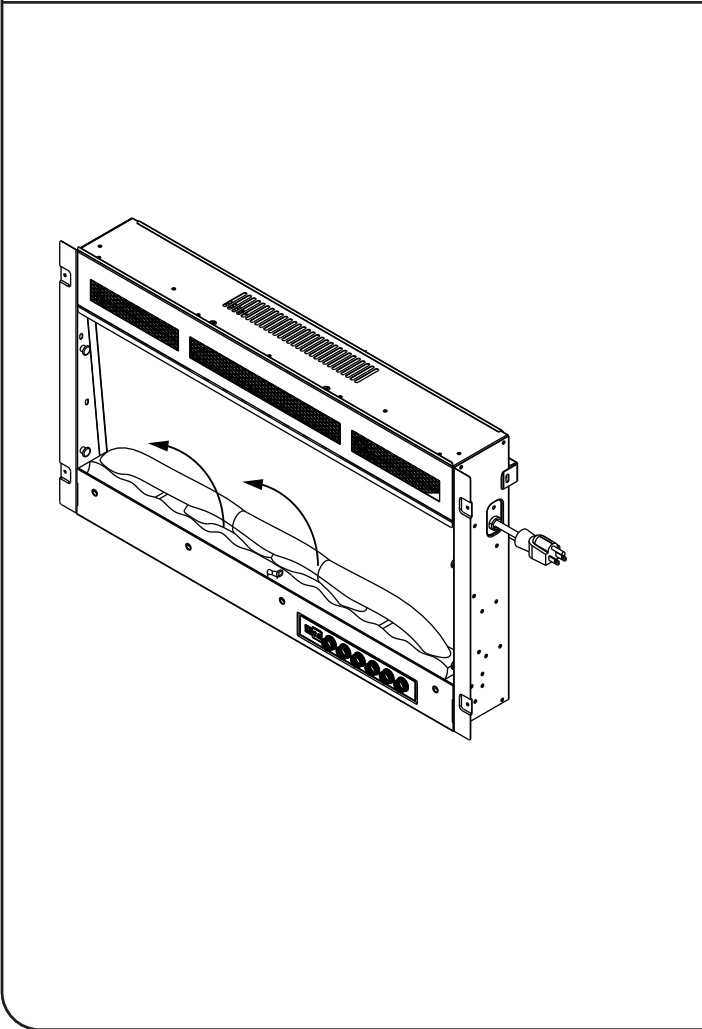
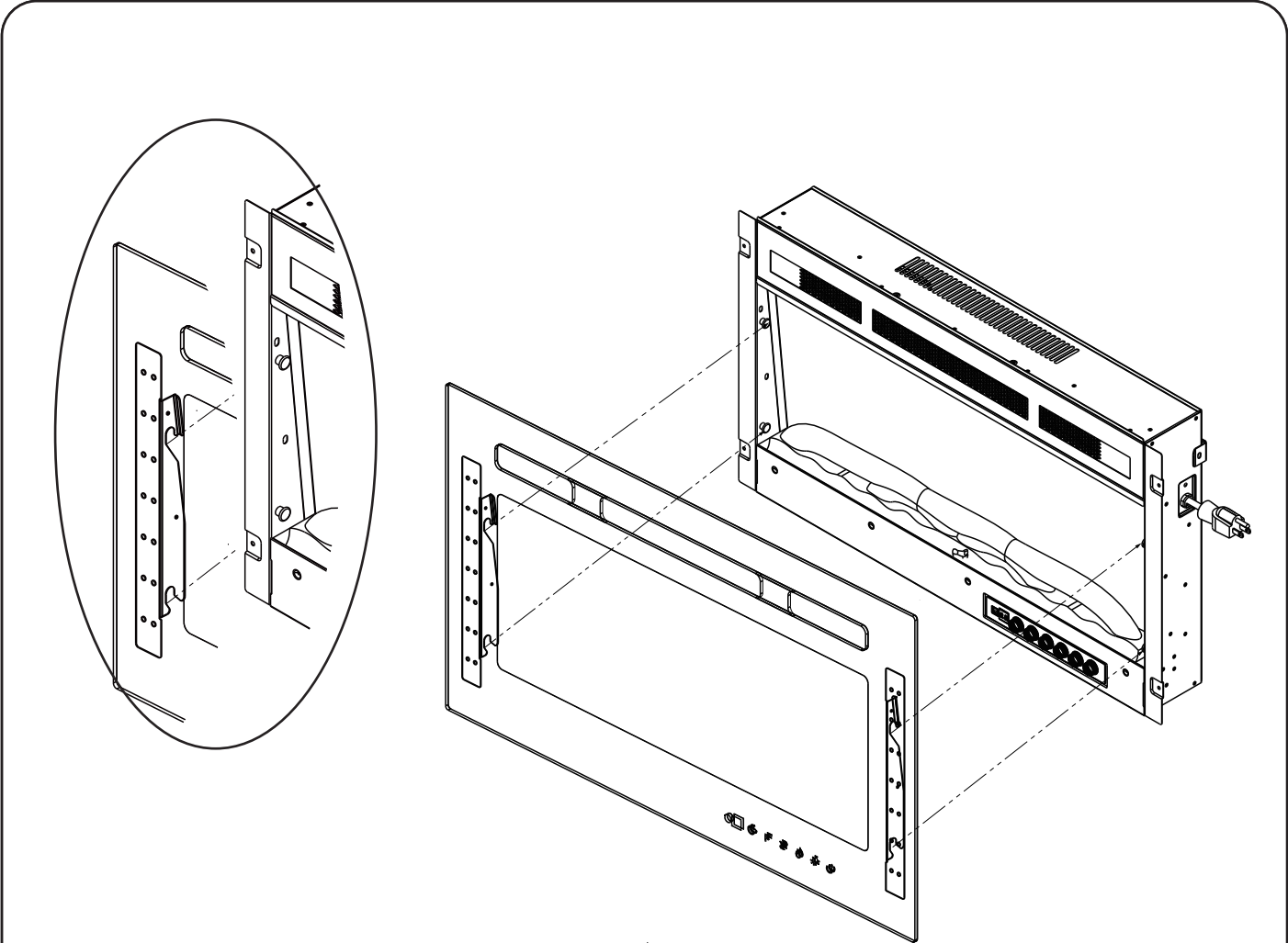


Fig.16

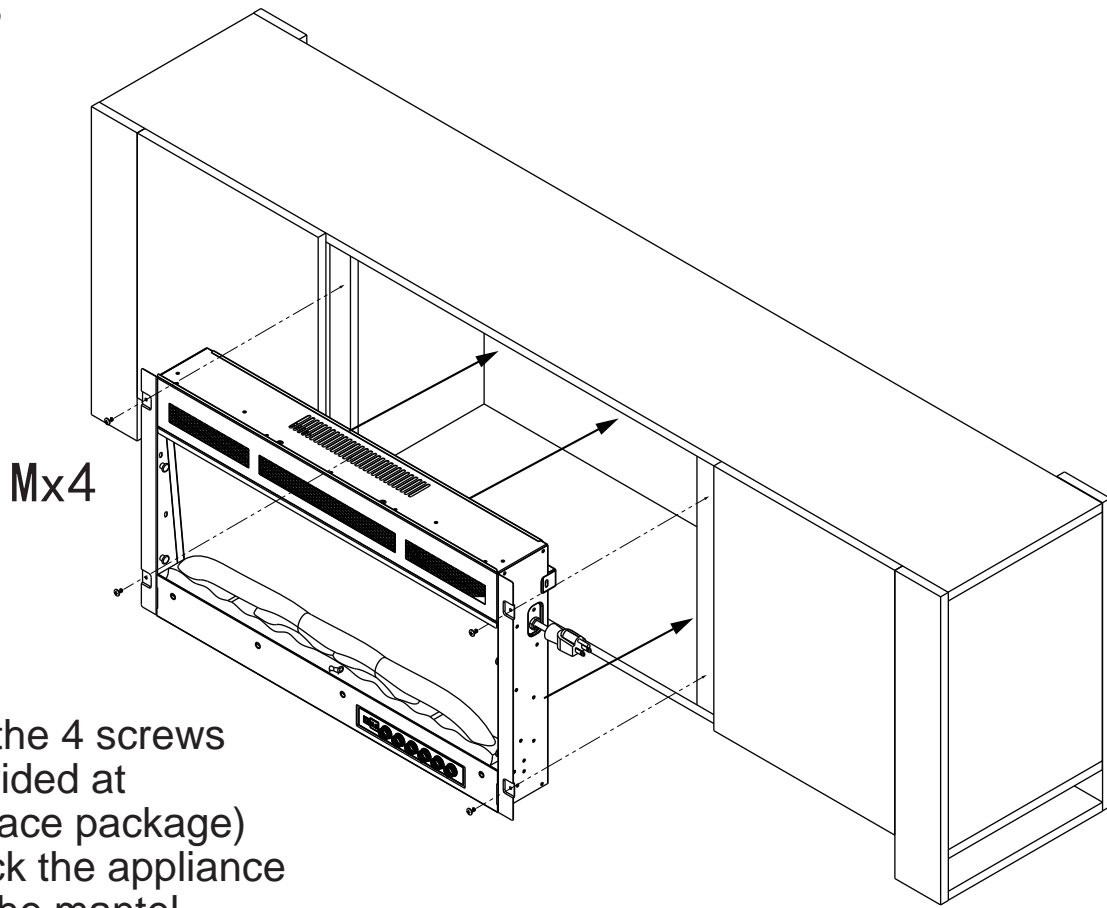
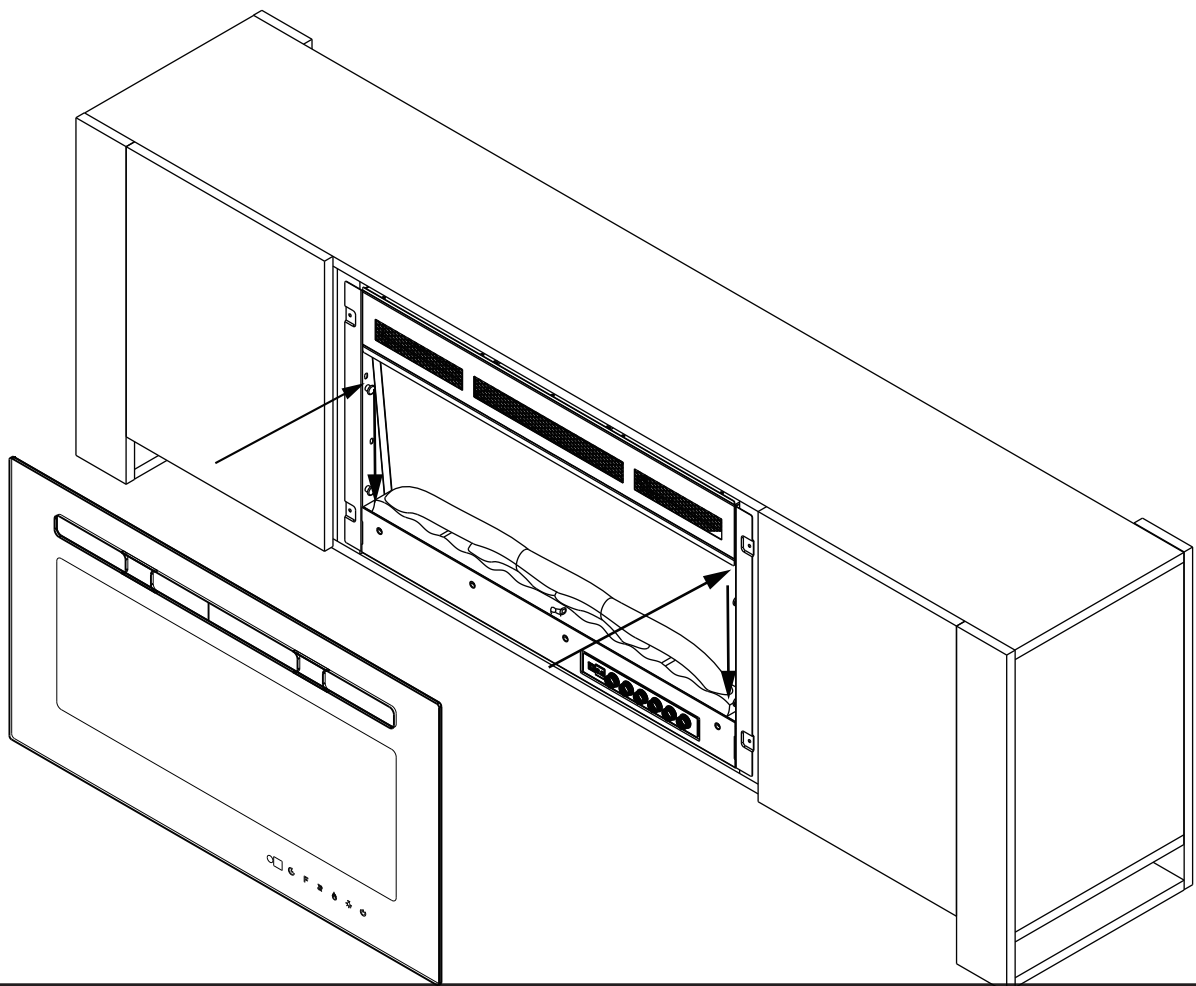
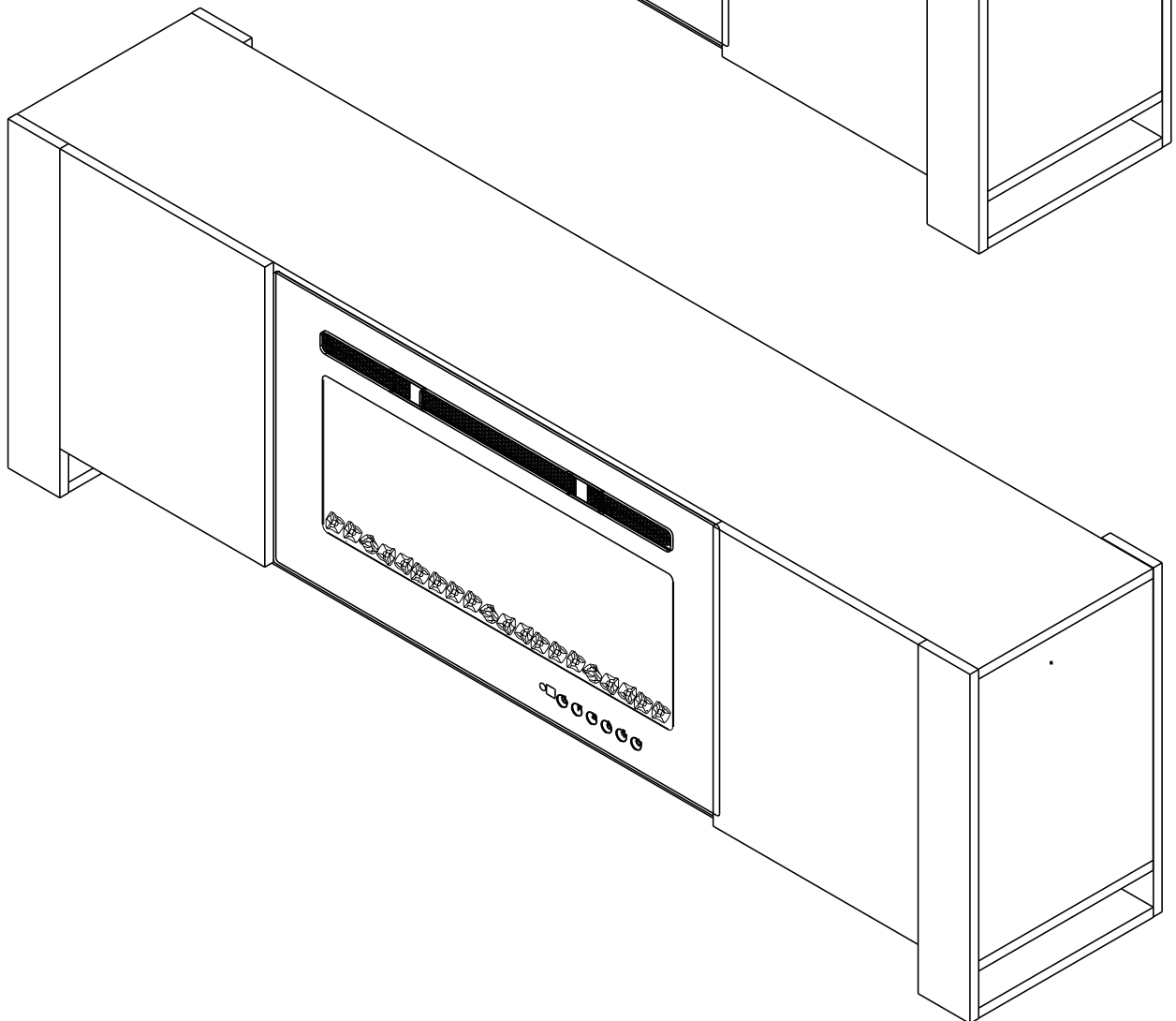
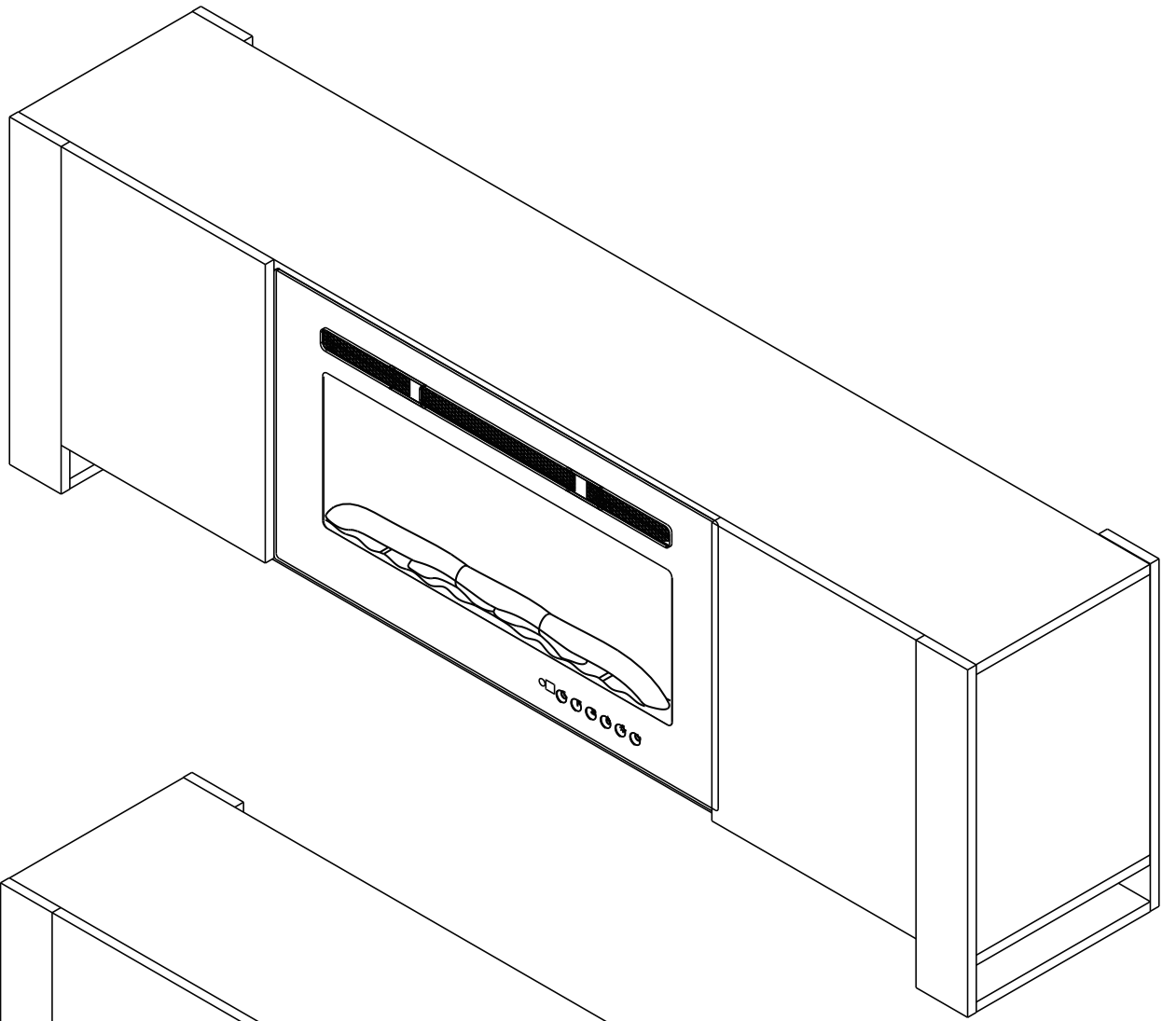
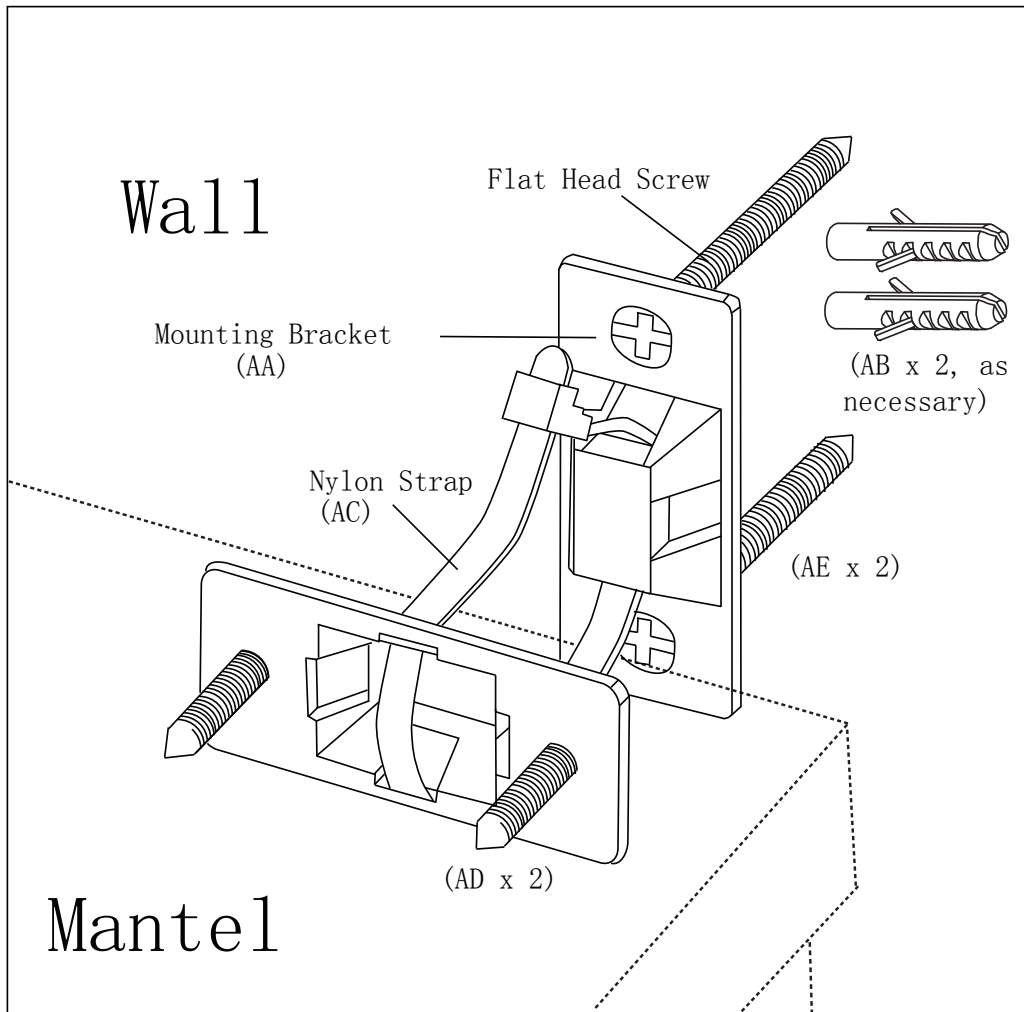


Fig.17





assembly
anchoring the media console



care and maintenance



- Do not use abrasive or chemical cleaners. Discolouring or damage to finish may result. To adjust door left or right, turn screws (b) on both hinges, in and out.

Clean media console with a non-abrasive cloth. Clean as often as necessary.

note:

Excessive sun exposure may cause discolouring or fading of media console finish.

