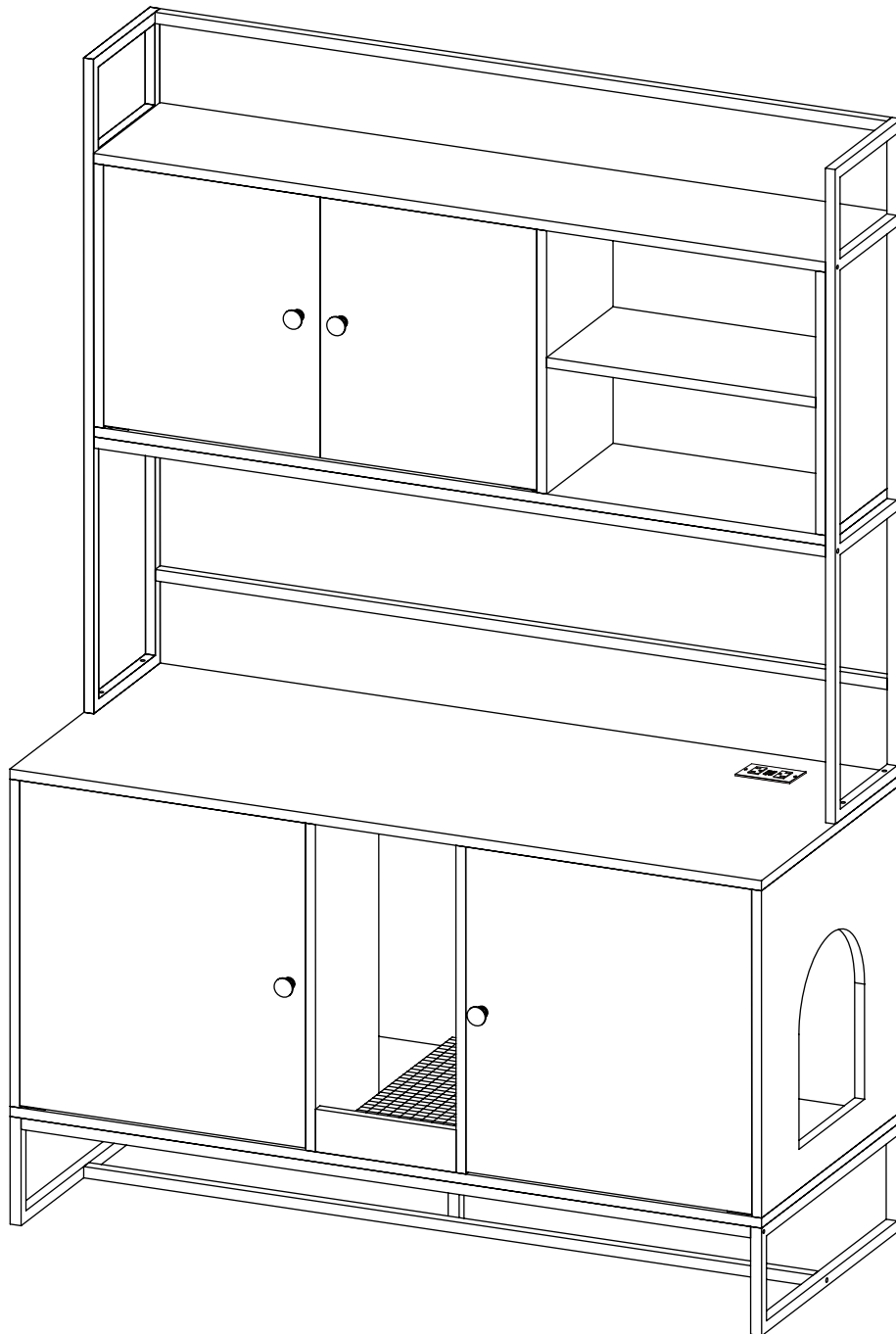
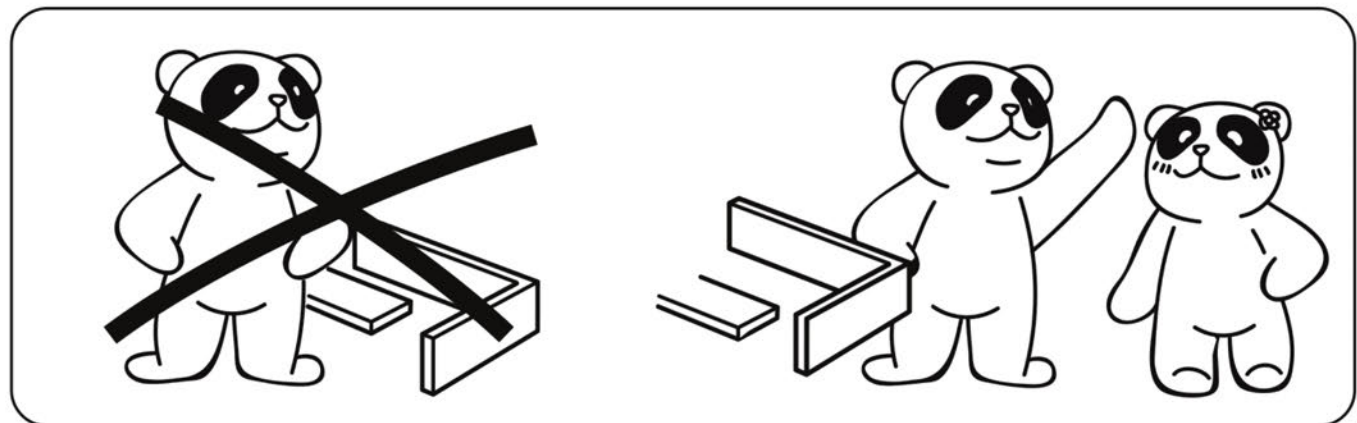
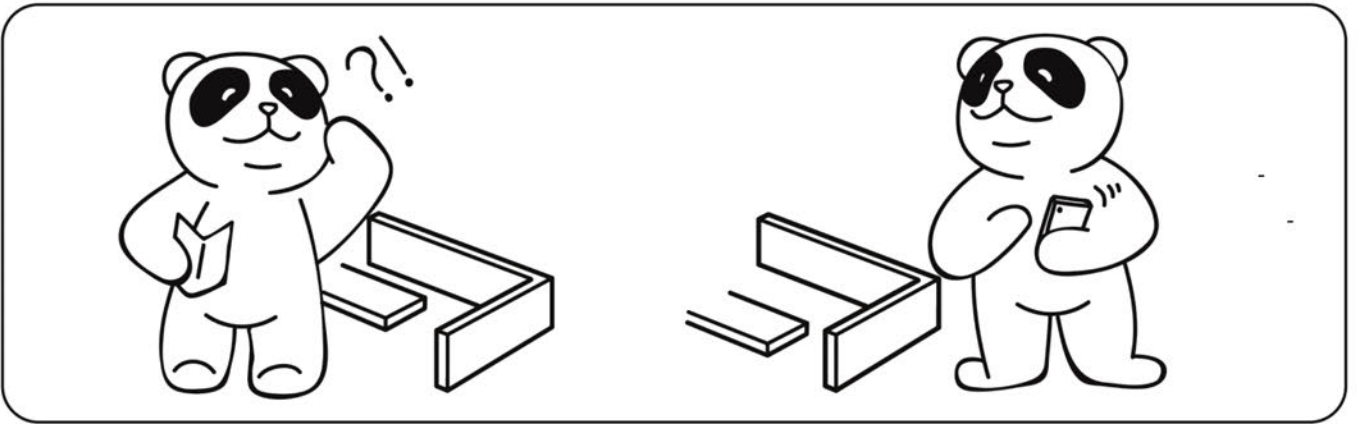
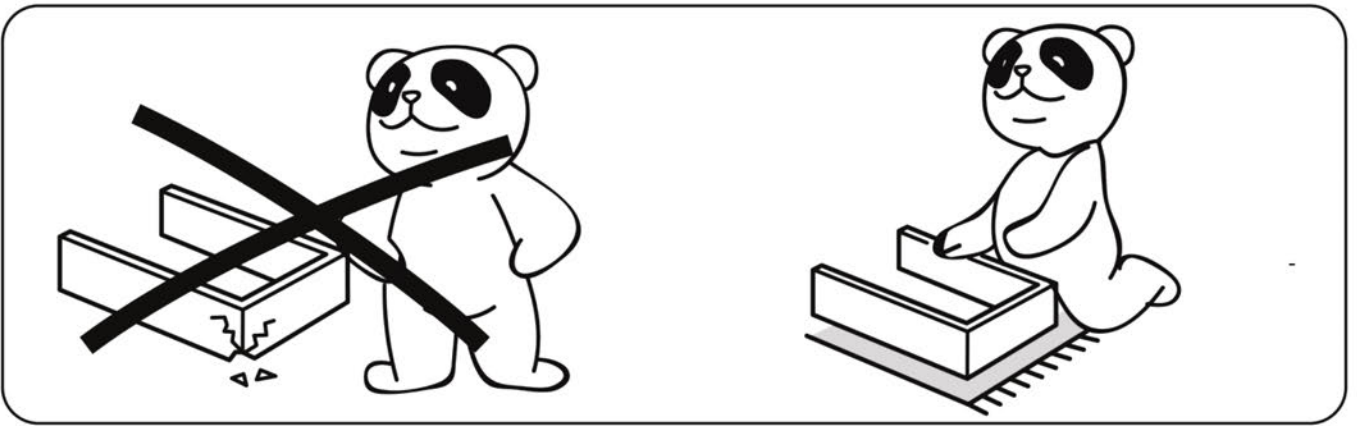
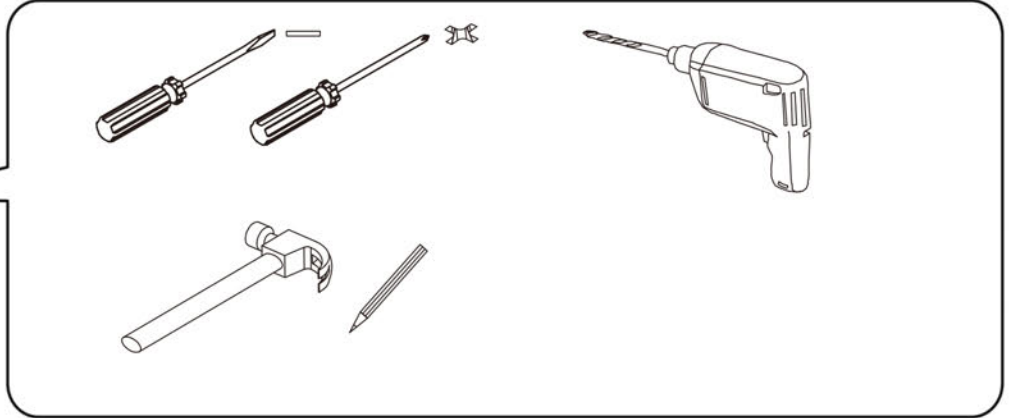


CAT LITTER BOX USER MANUAL



INTRODUCTION



PRECAUTIONS

1. There are many components and accessories in the package. Each component and accessory is labeled with a letter or a number, check carefully before using any of them. Keep them away from children to prevent accidents.

2. Please install the product on a clean and soft underlay (such as carpet or cardboard) to avoid scratching or damaging the surface of the product.

3. The main components of the product is relatively heavy. Please pay attention to safety during installation.

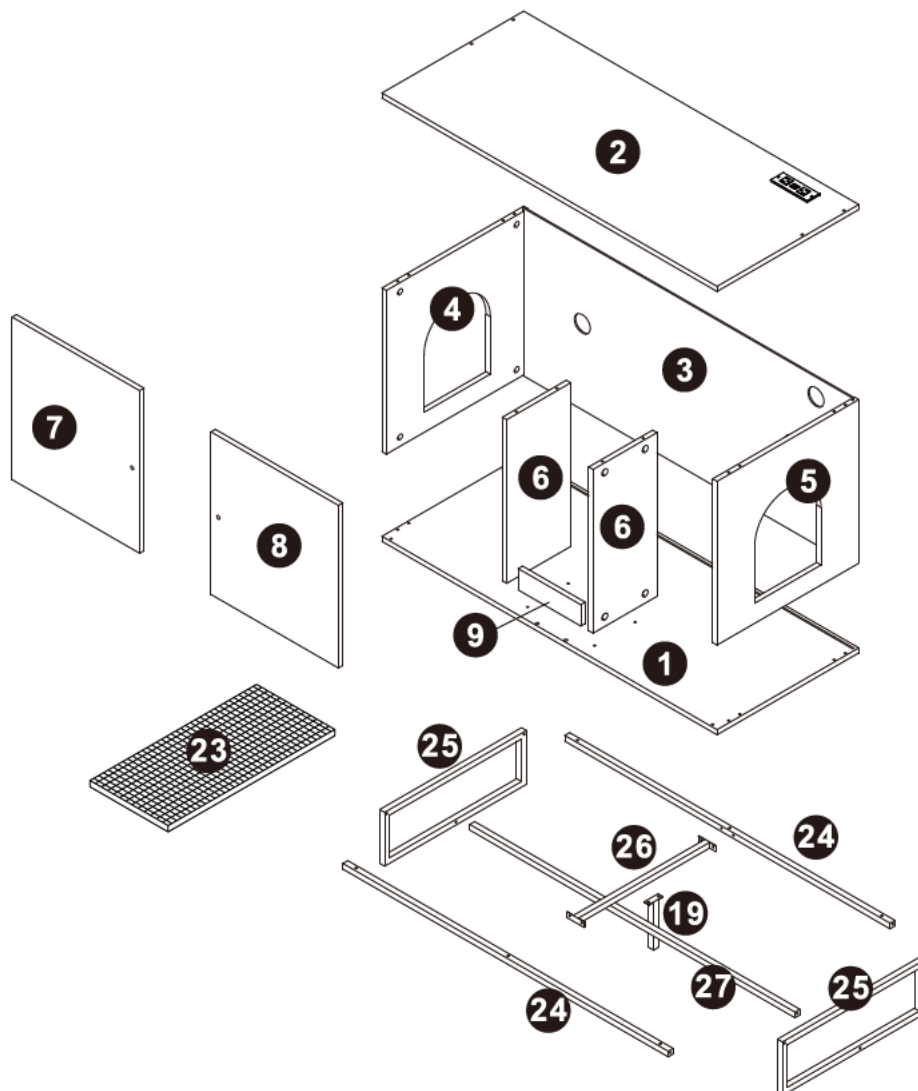
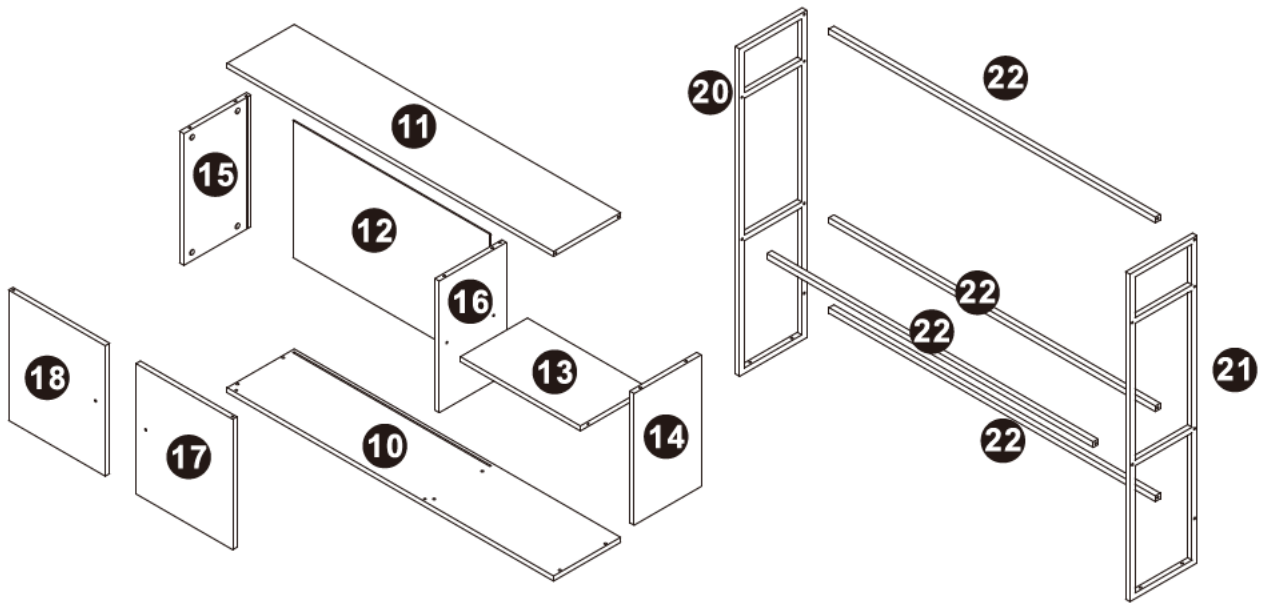
4. The product is not stable during installation. Please do not move it randomly before it is completely installed.

5. If you have any questions during installation, please contact the customer service in time.

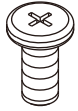
***PLEASE BE SURE TO FOLLOW THE INSTALLATION STEPS IN THE MANUAL TO AVOID UNNECESSARY LOSSES CAUSED BY IMPROPER INSTALLATION.**

***IF YOU NEED FUTHER ASSIATANCE, PLEASE CONTACT THE CUSTOMER SERVICE ONLINE.**

PANEL LAYOUT



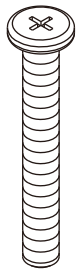
HARDWARE LIST



A

x6

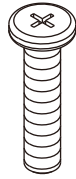
M6x10



B

x18

M6x30



C

x10

M6x25



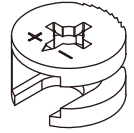
D

x8+1



E

x34+2



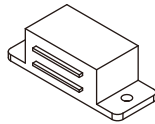
F

x34+2



G

x4



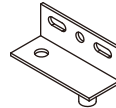
H

x4



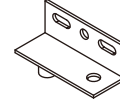
I

x30+2



J

x2



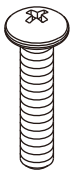
K

x2



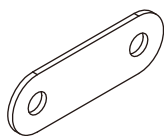
L

x4



M

x4



N

x4



P

x4



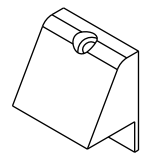
Q

x2



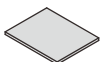
R

x2



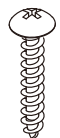
S

x10



T

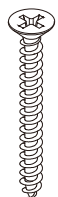
x4



U

x12+2

M3.5x20



V

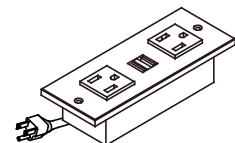
x2

M4x35



W

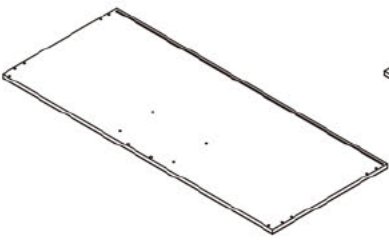
x34



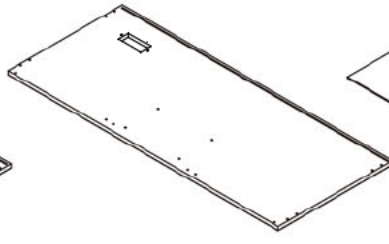
X

x1

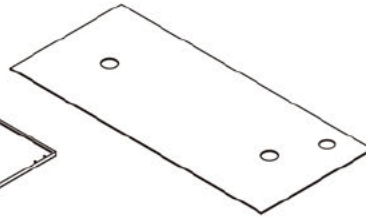
PANEL LIST



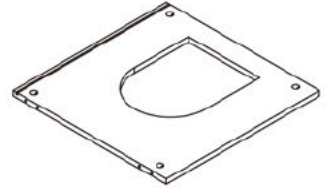
1
x1



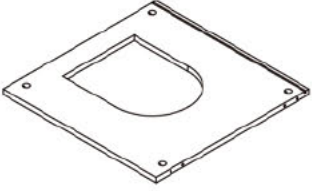
2
x1



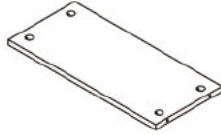
3
x1



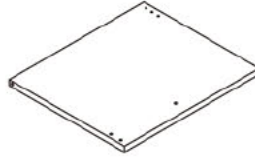
4
x1



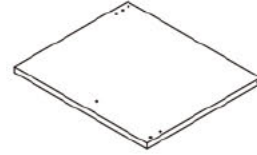
5
x1



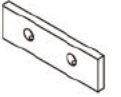
6
x2



7
x1



8
x1



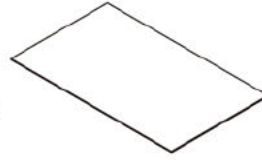
9
x1



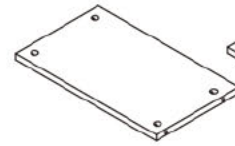
10
x1



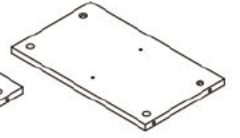
11
x1



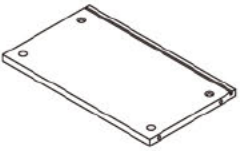
12
x1



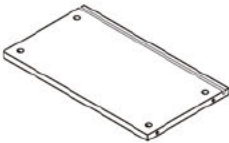
13
x1



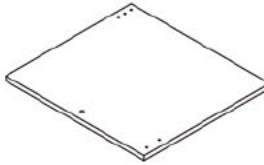
14
x1



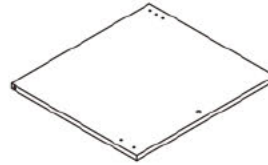
15
x1



16
x1



17
x1



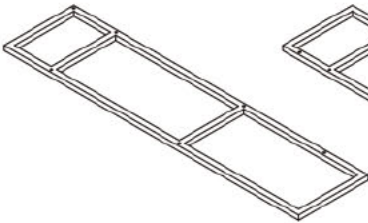
18
x1



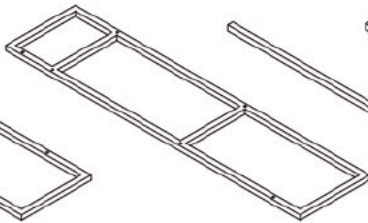
19
x1



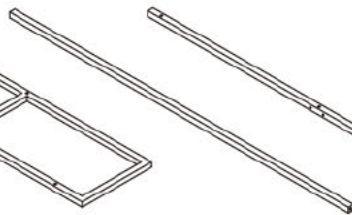
23
x1



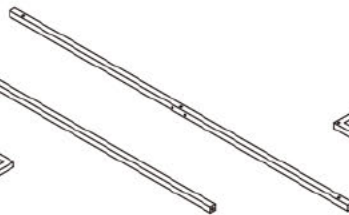
20
x1



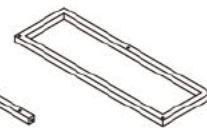
21
x1



22
x4



24
x2



25
x2



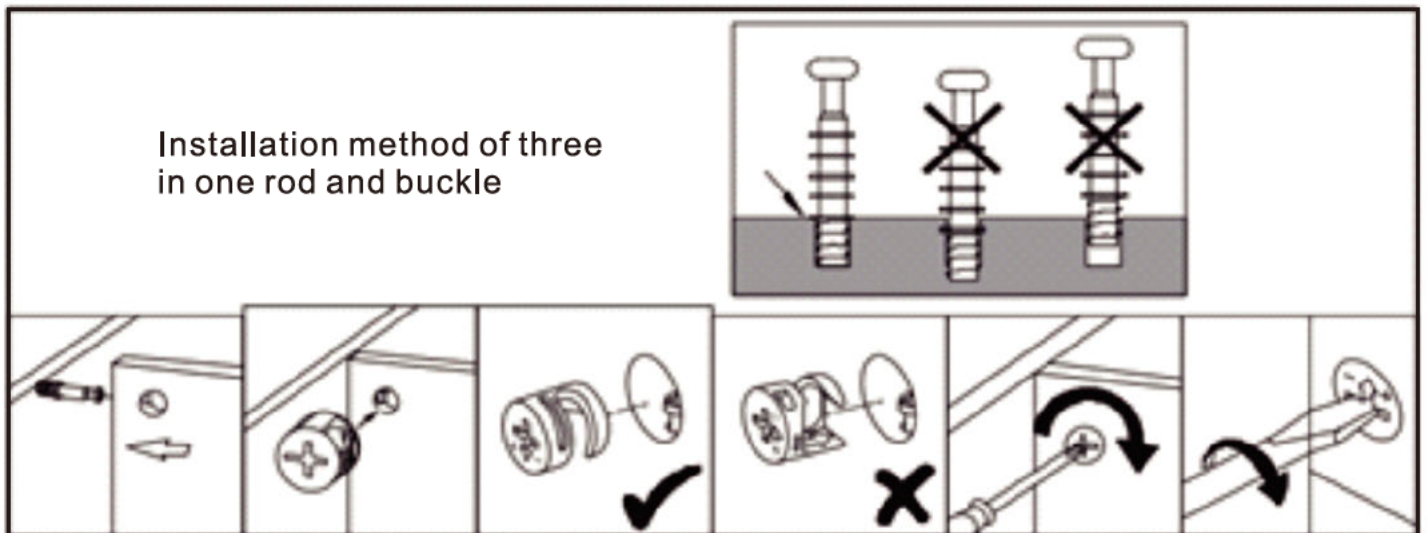
26
x1



27
x1

TIPS

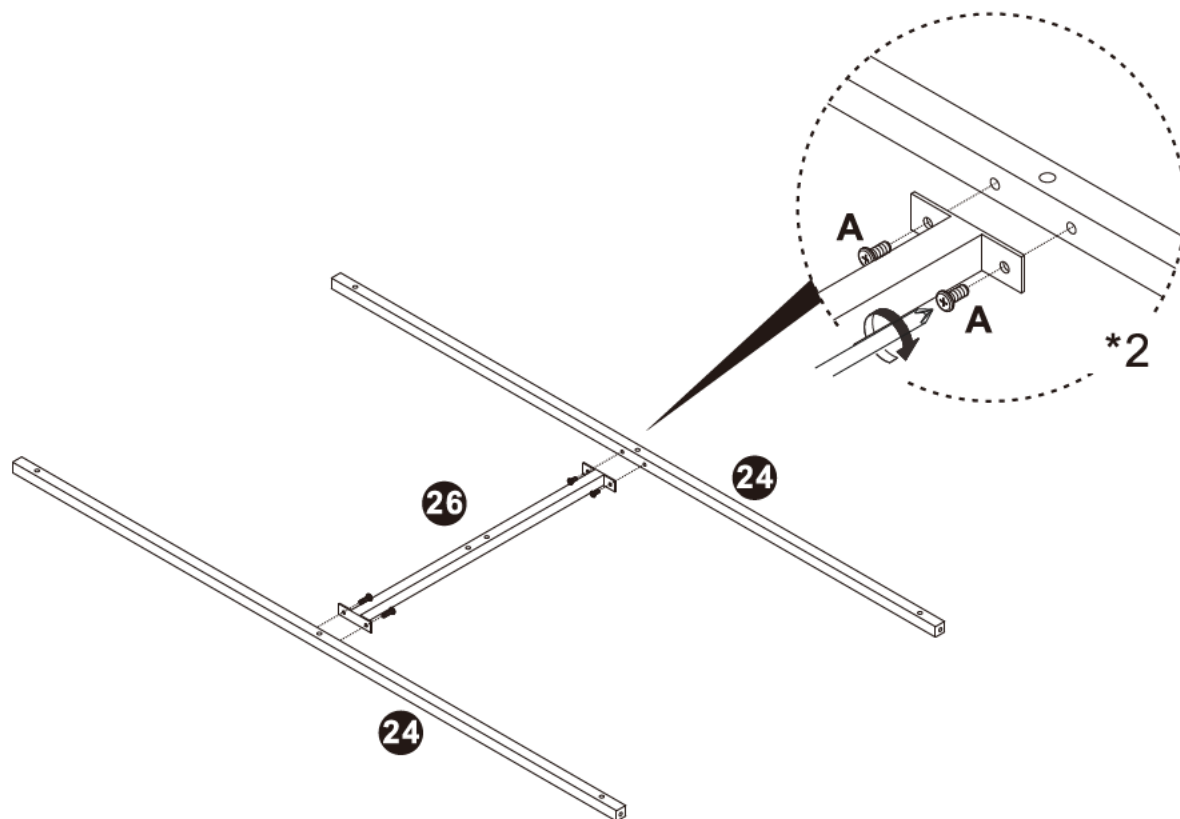
1. When installing the product, use a soft surface (such as a carpet or cardboard) to avoid scratching or damaging the surface of the product.
2. Please try to use a manual screwdriver instead of an electric screw driver. A manual screwdriver can be used to better control the tightness of the screws.
3. Do not use any glue.
4. The product is unstable before it is assembled. Please pay attention to the product installation sequence, and align all screws and screw holes before tightening.
5. The structure of this product can not meet the requirements of children climbing.



INSTALLATION STEPS

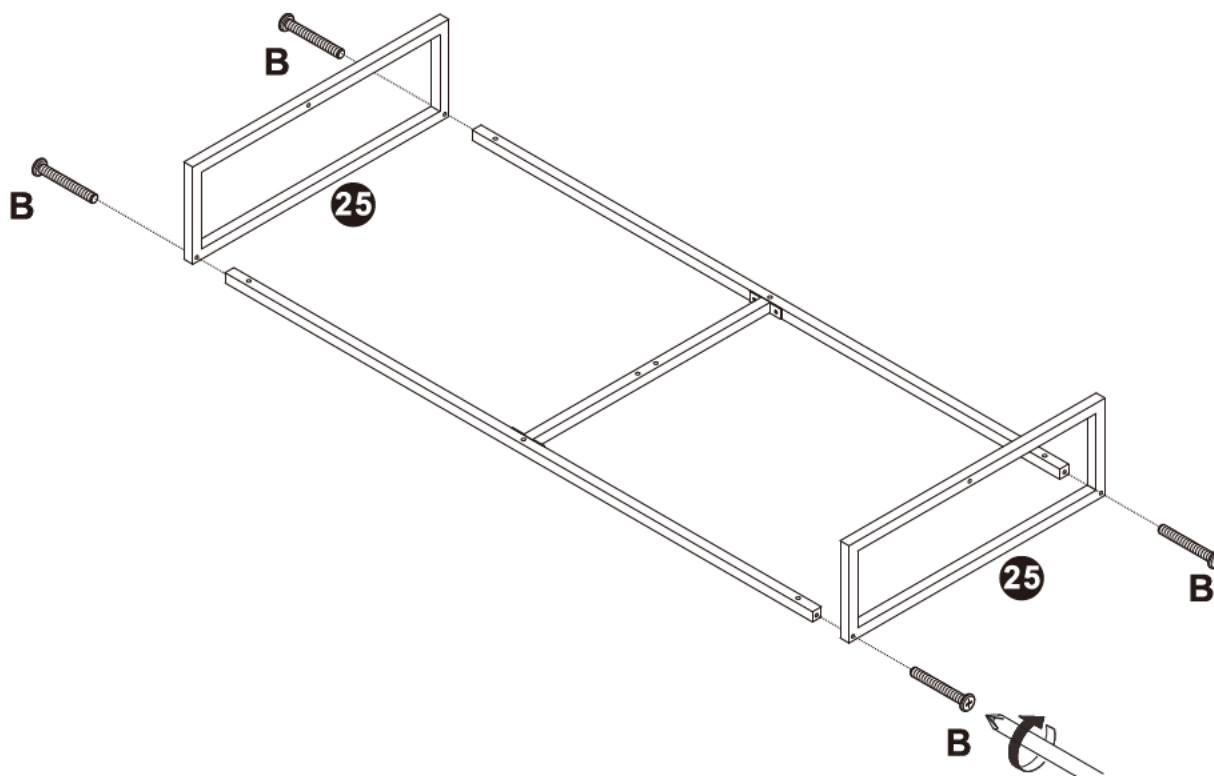
1

Ax4



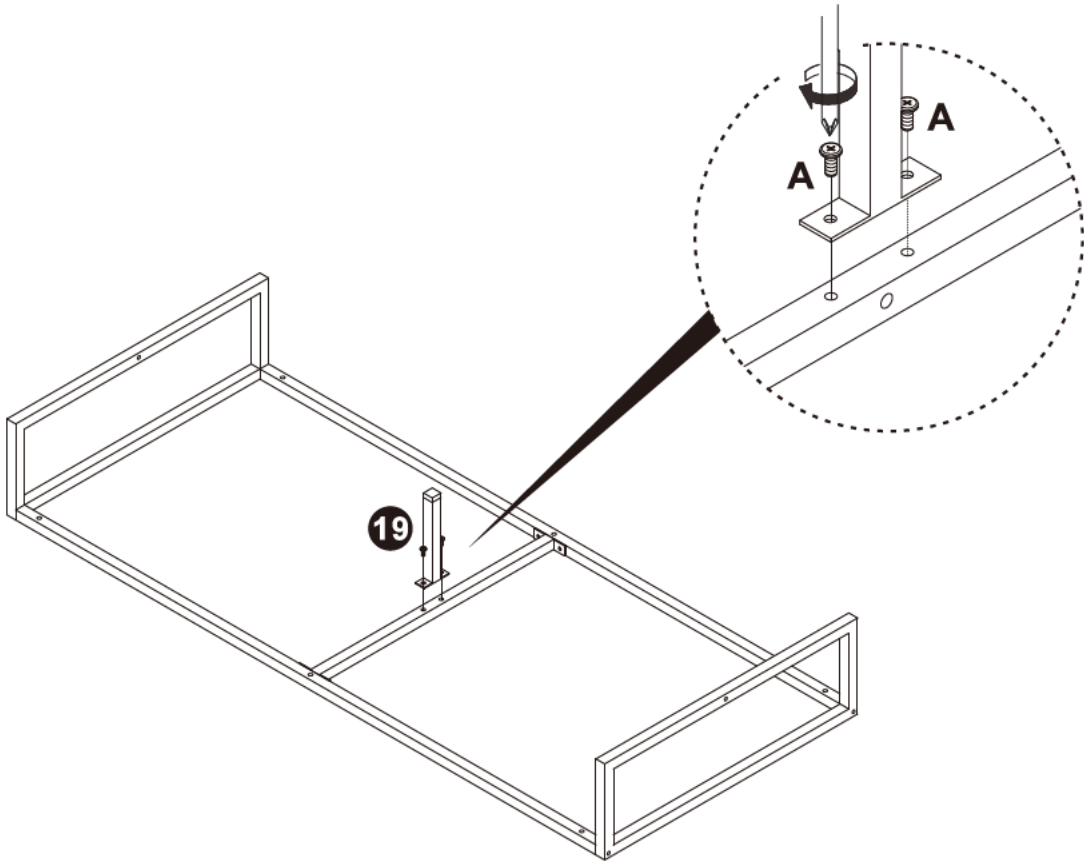
2

Bx4



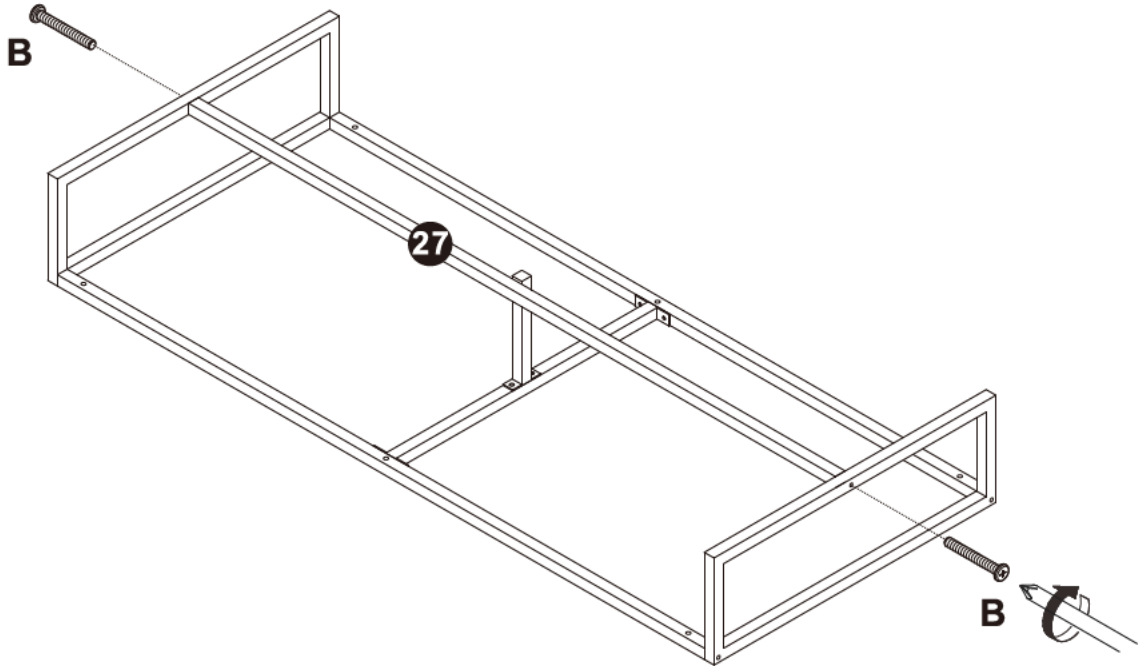
3

Ax2



4

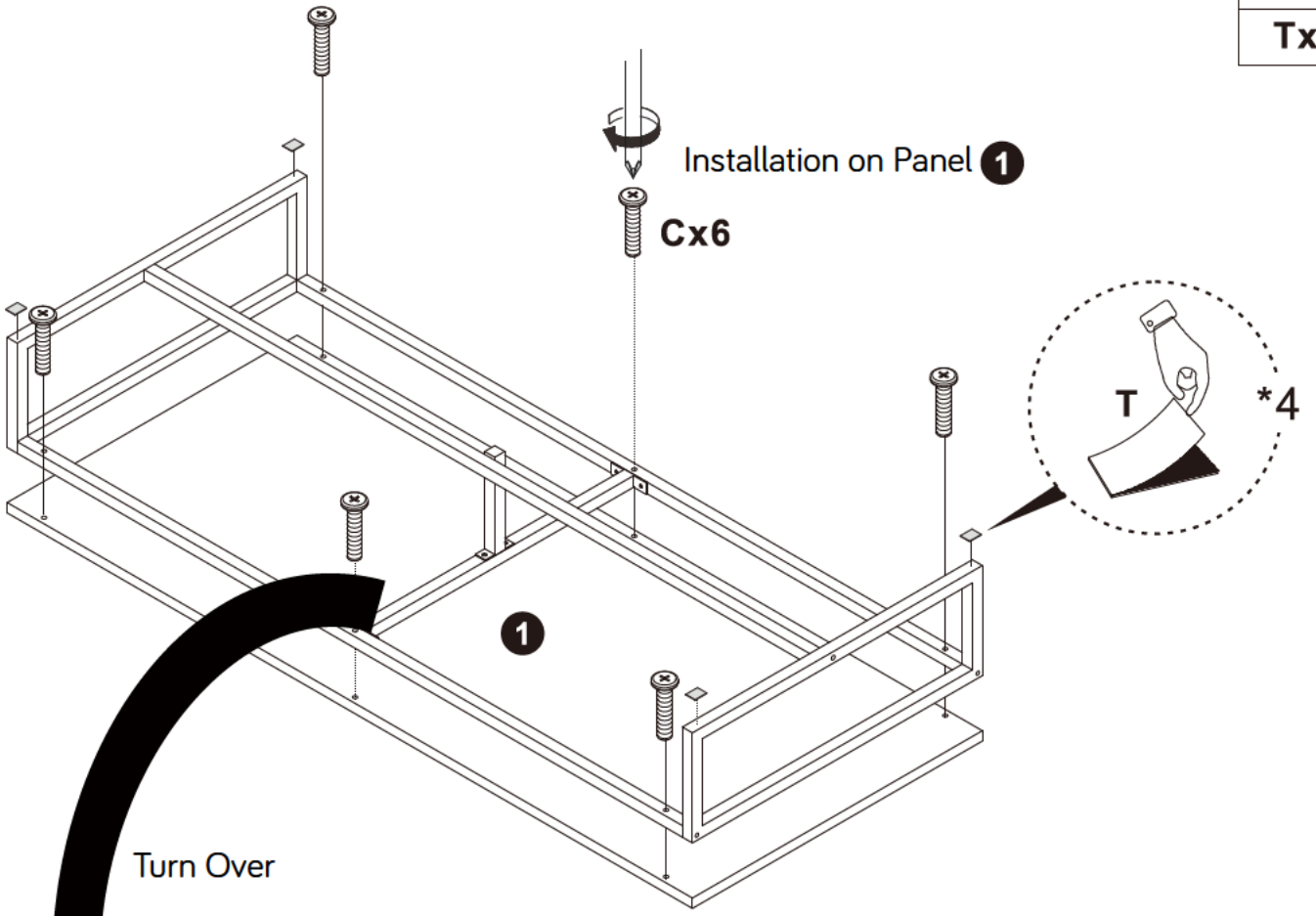
Bx2



5

Cx6

Tx4

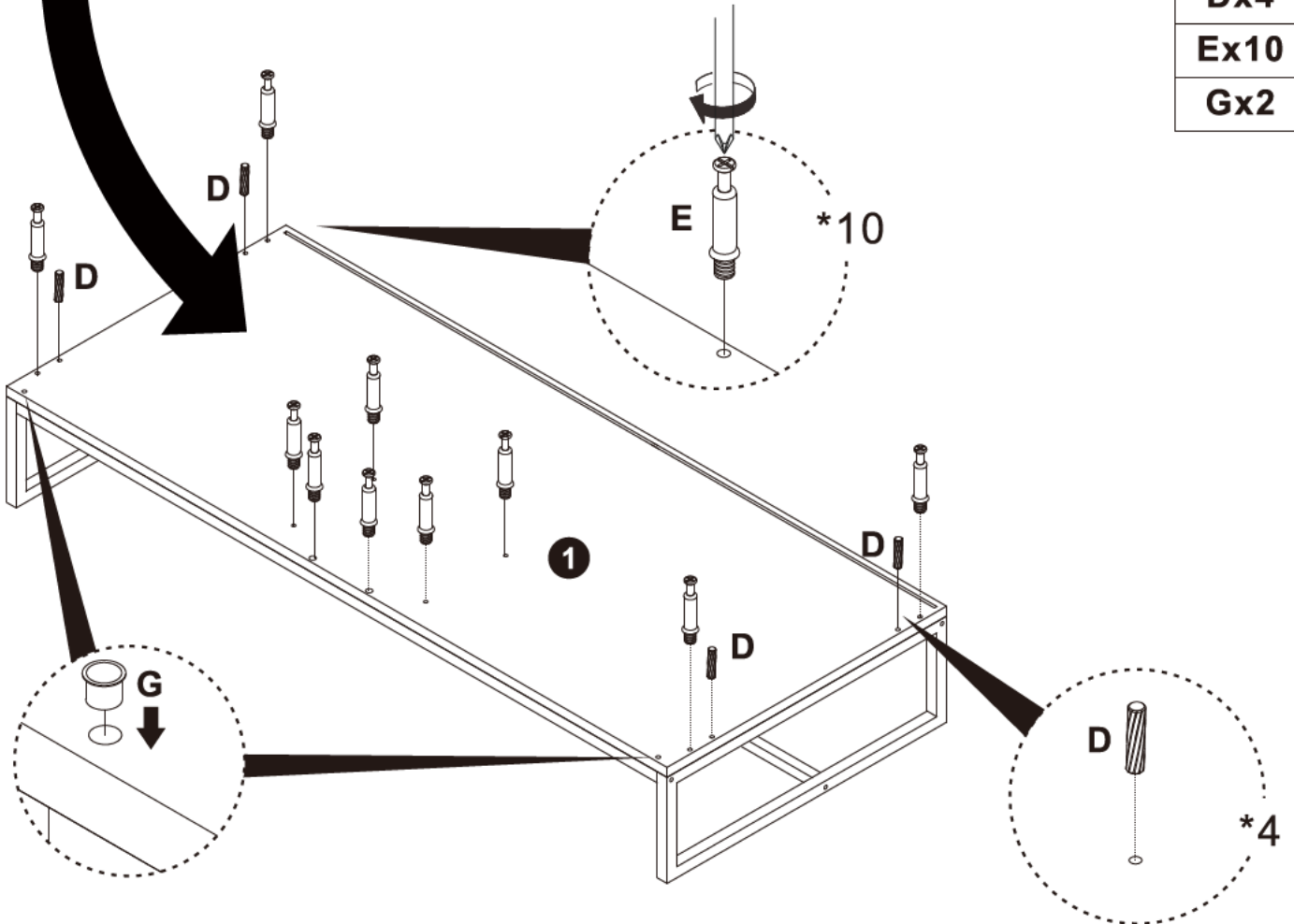


6

Dx4

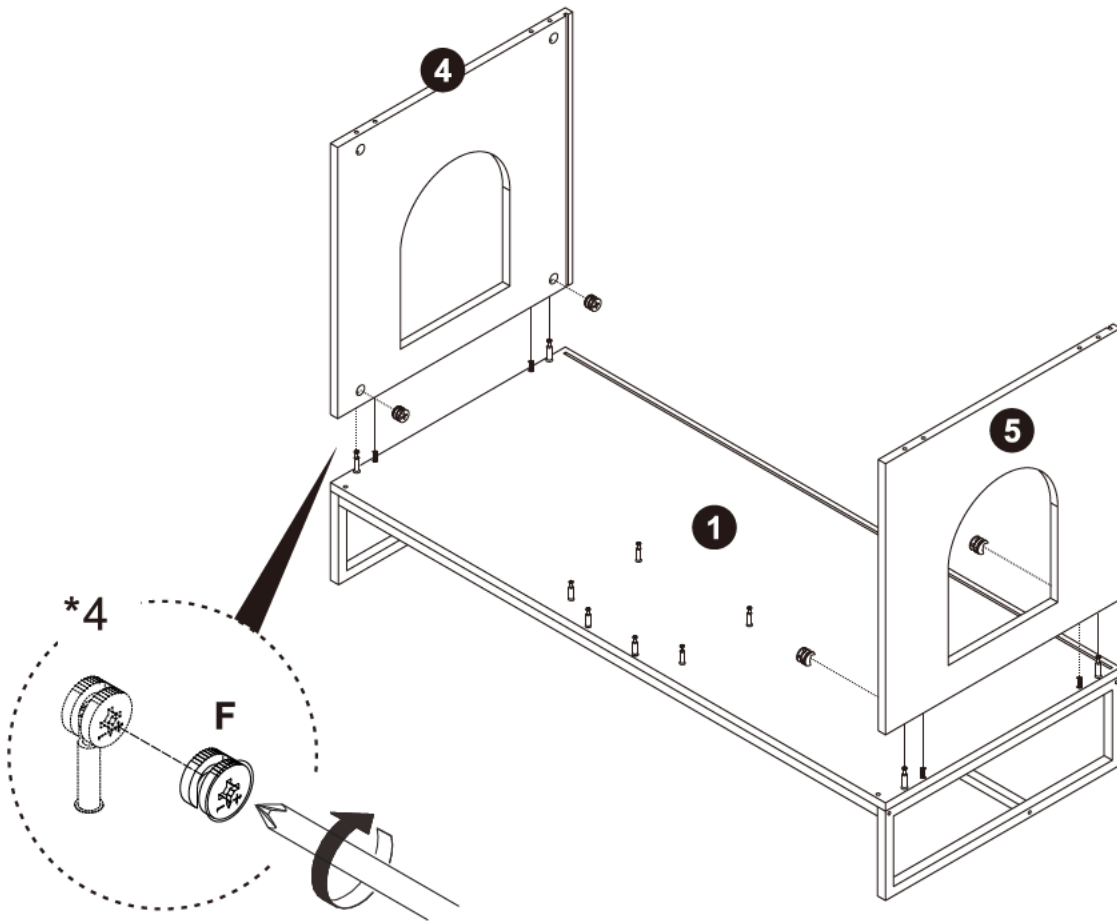
Ex10

Gx2



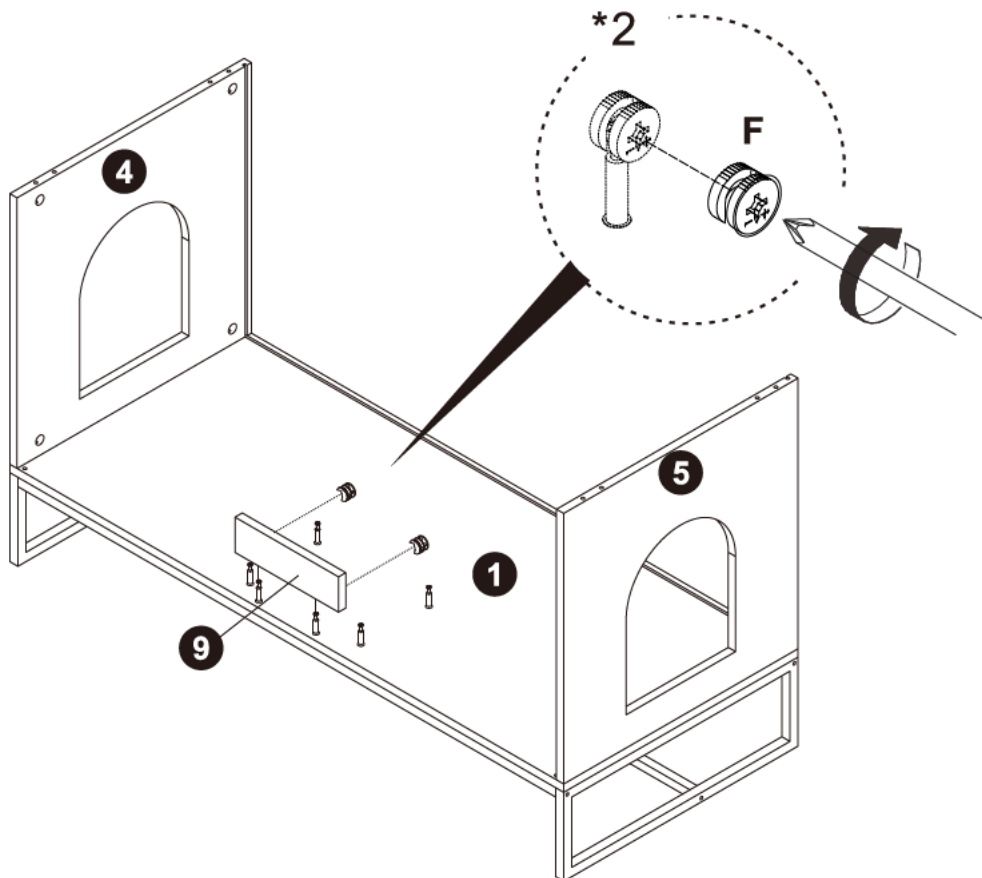
7

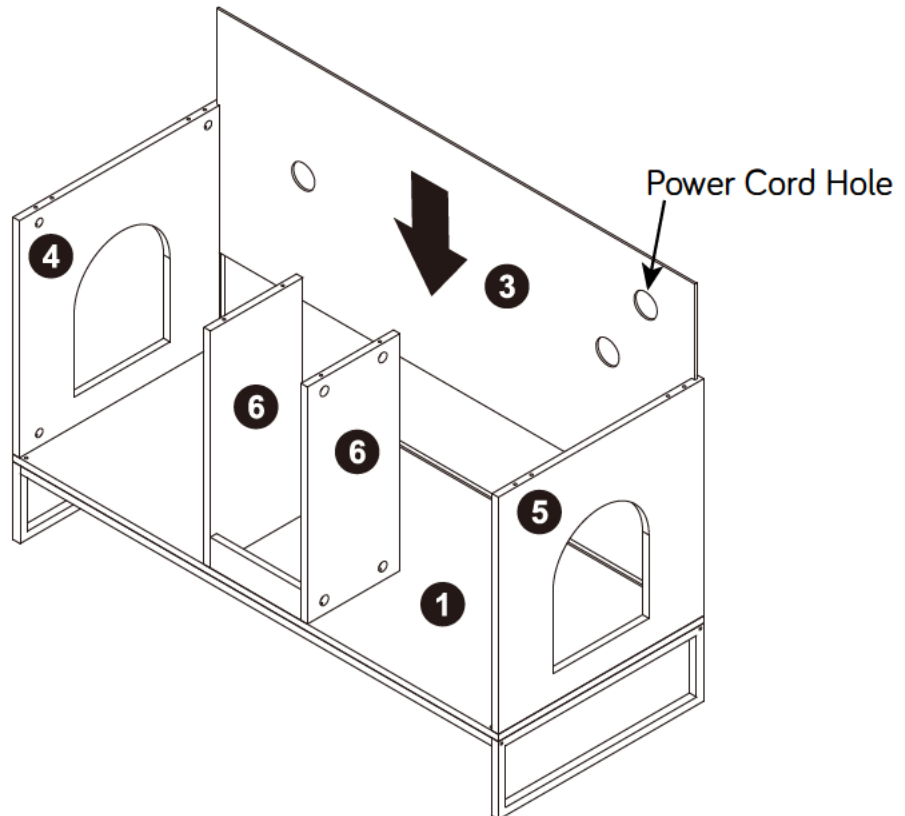
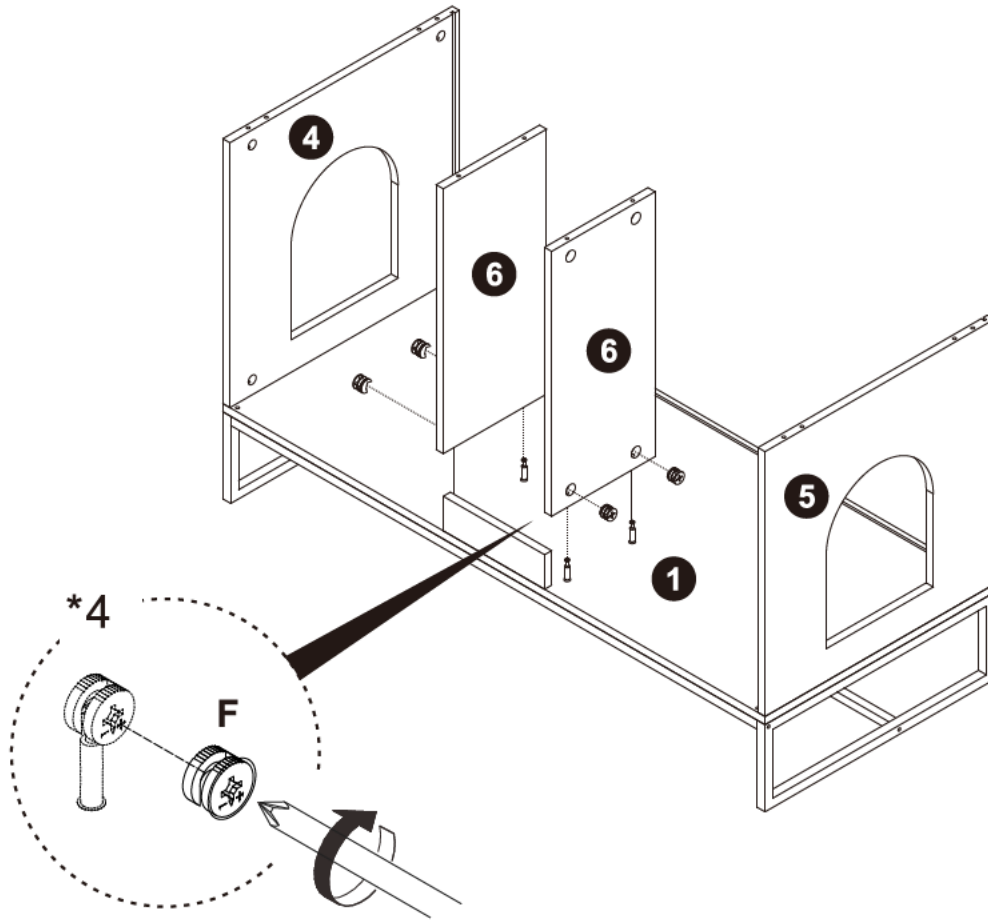
Fx4



8

Fx2





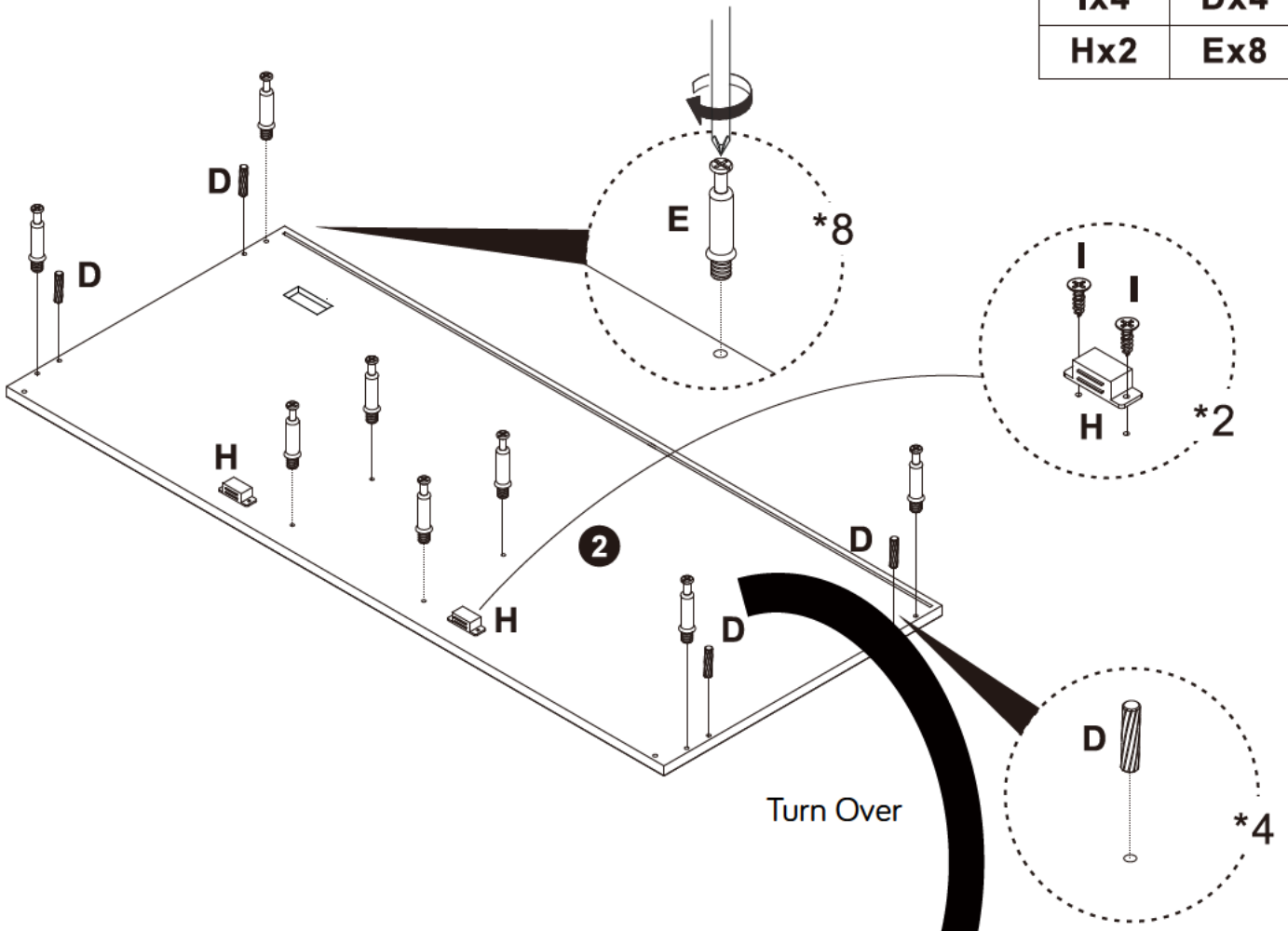
11

Ix4

Dx4

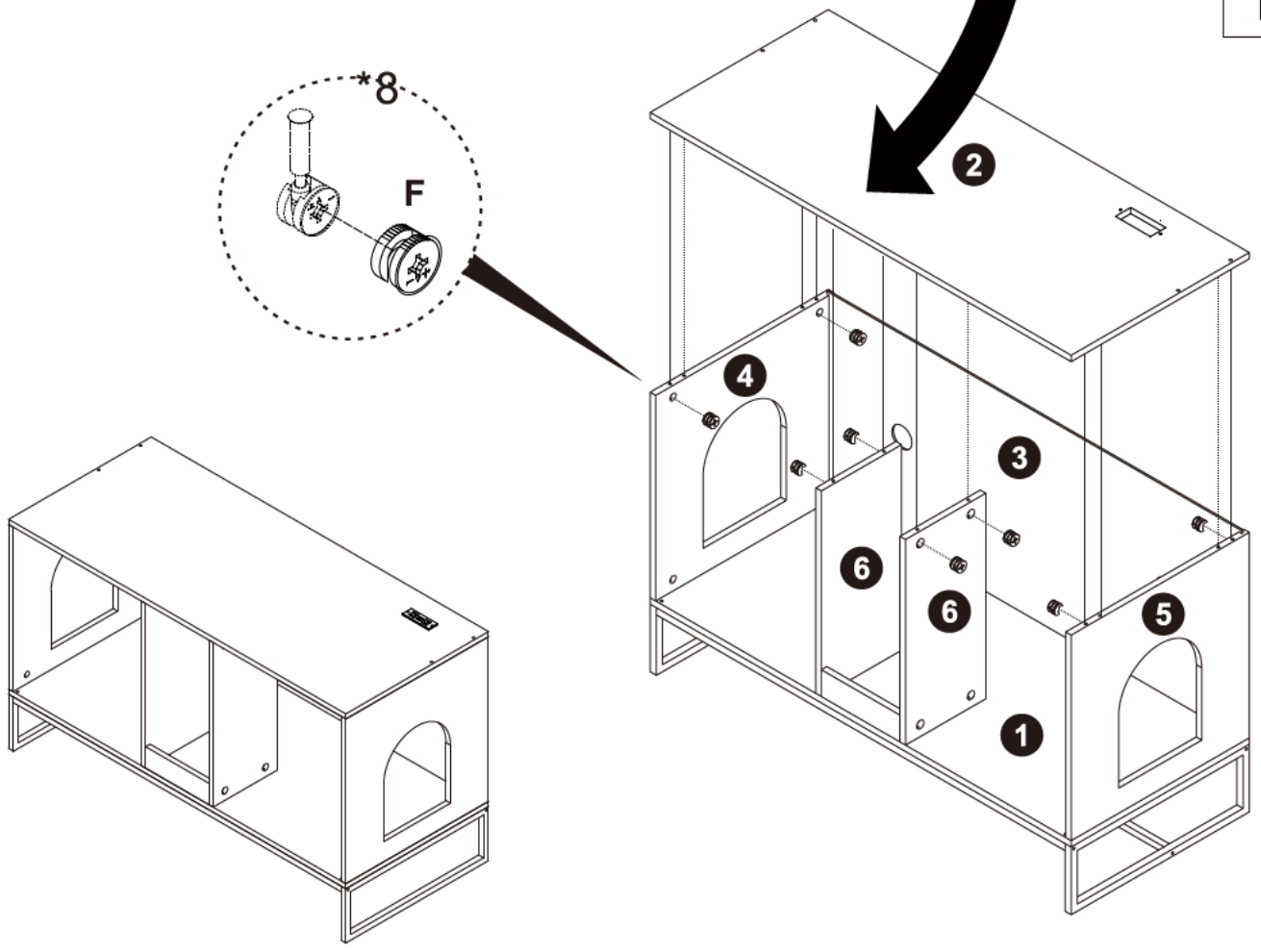
Hx2

Ex8

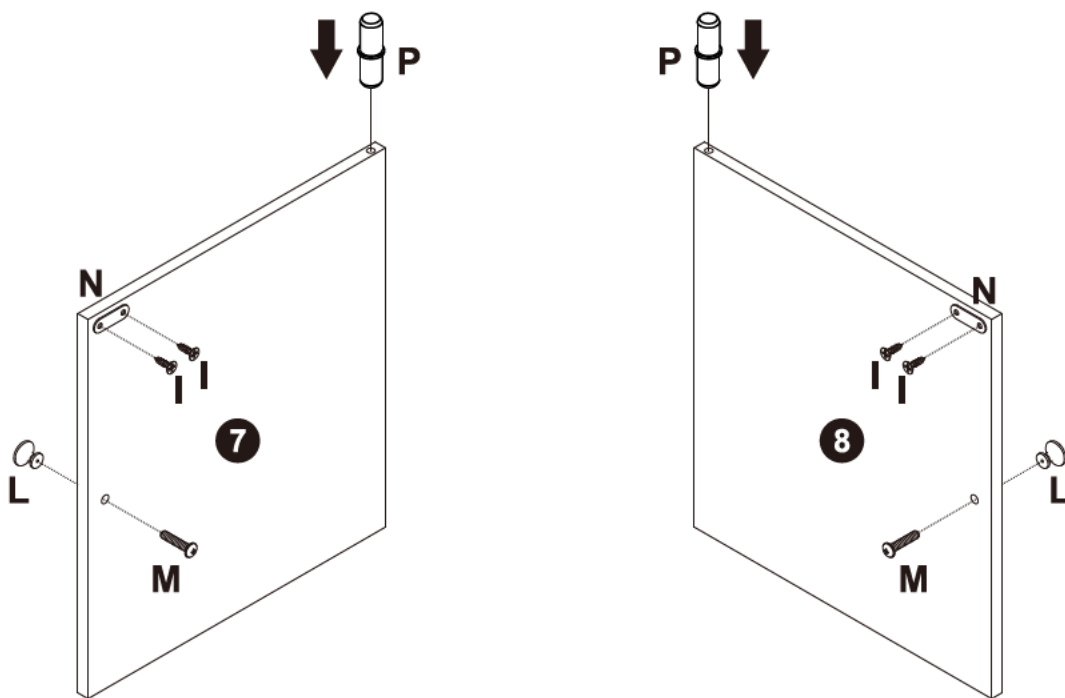


12

Fx8



13



Nx2

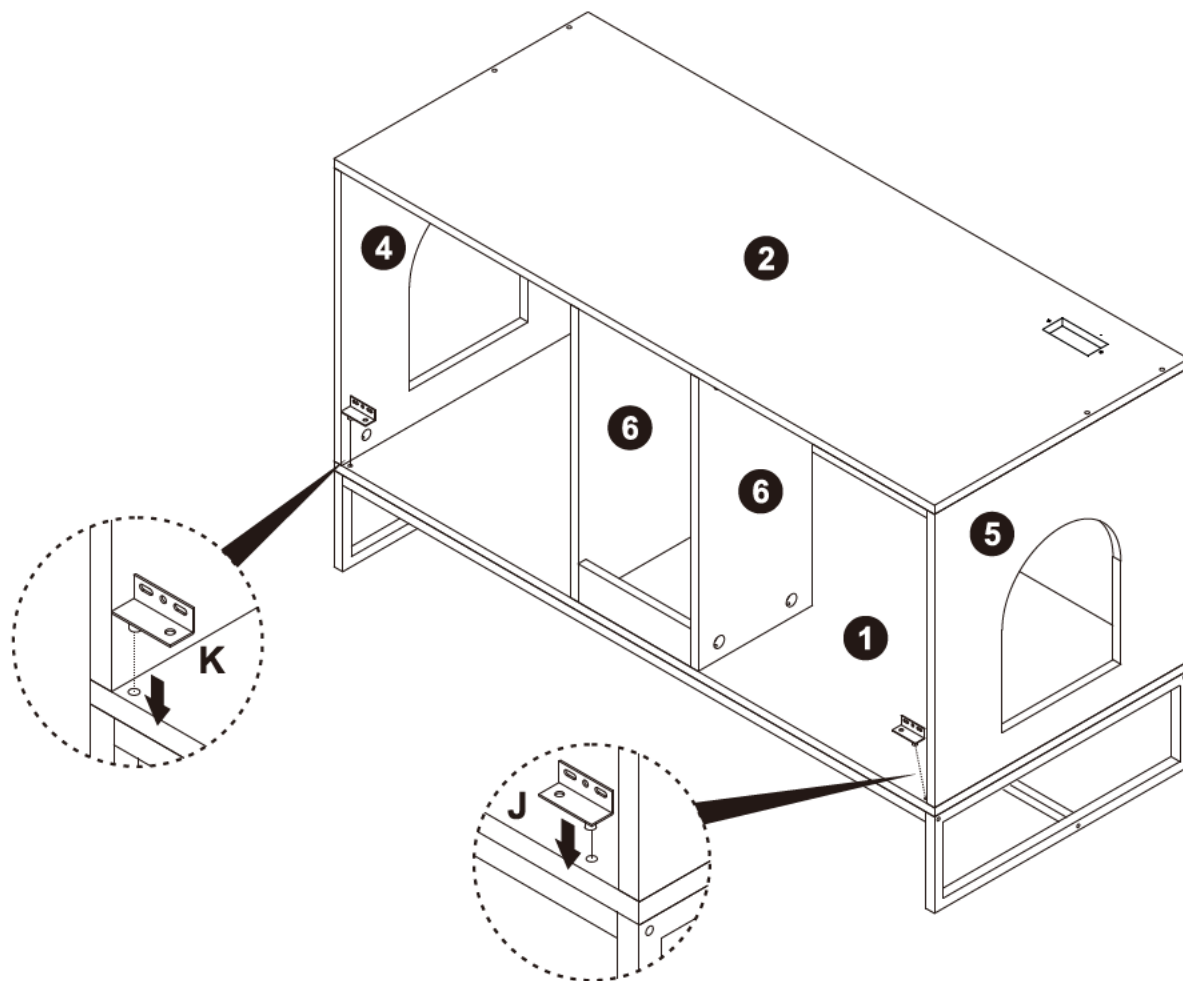
Ix4

Px2

Lx2

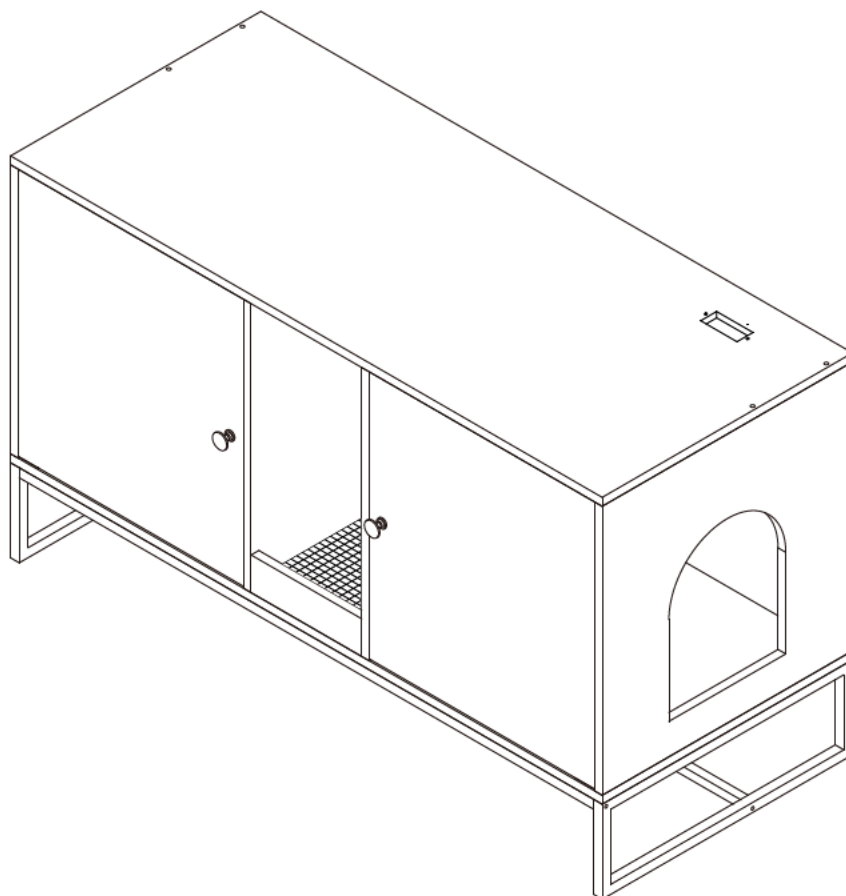
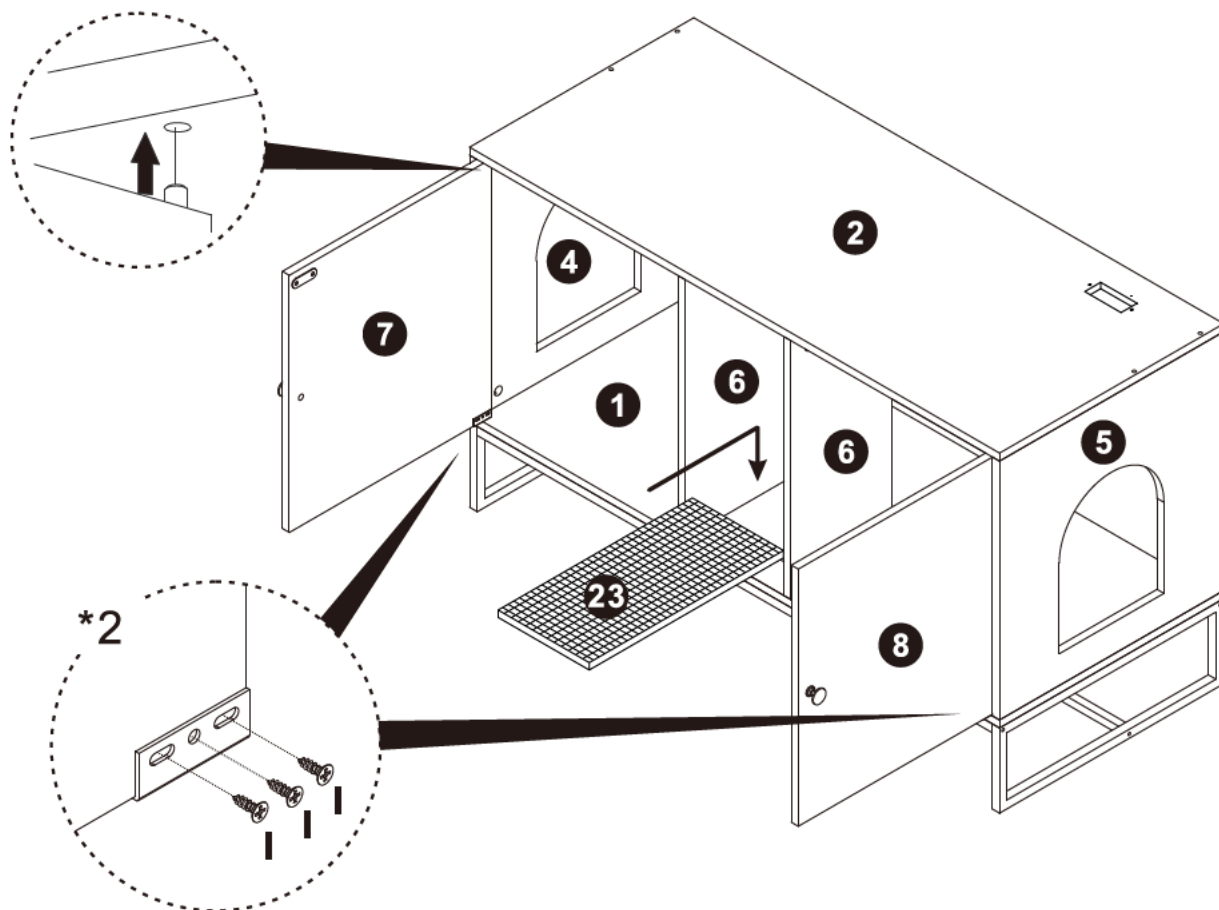
Mx2

14



Jx1

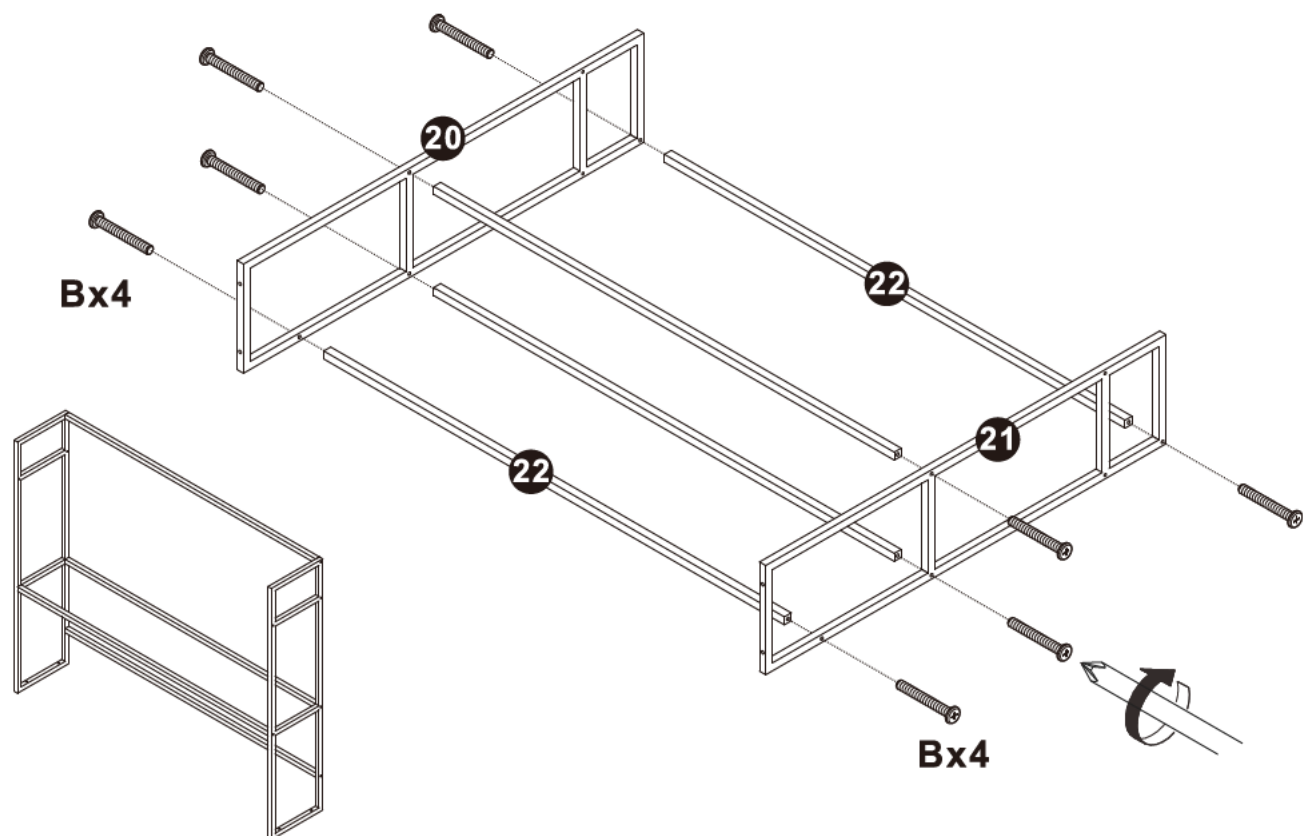
Kx1



The bottom part is finished.

17

Bx8



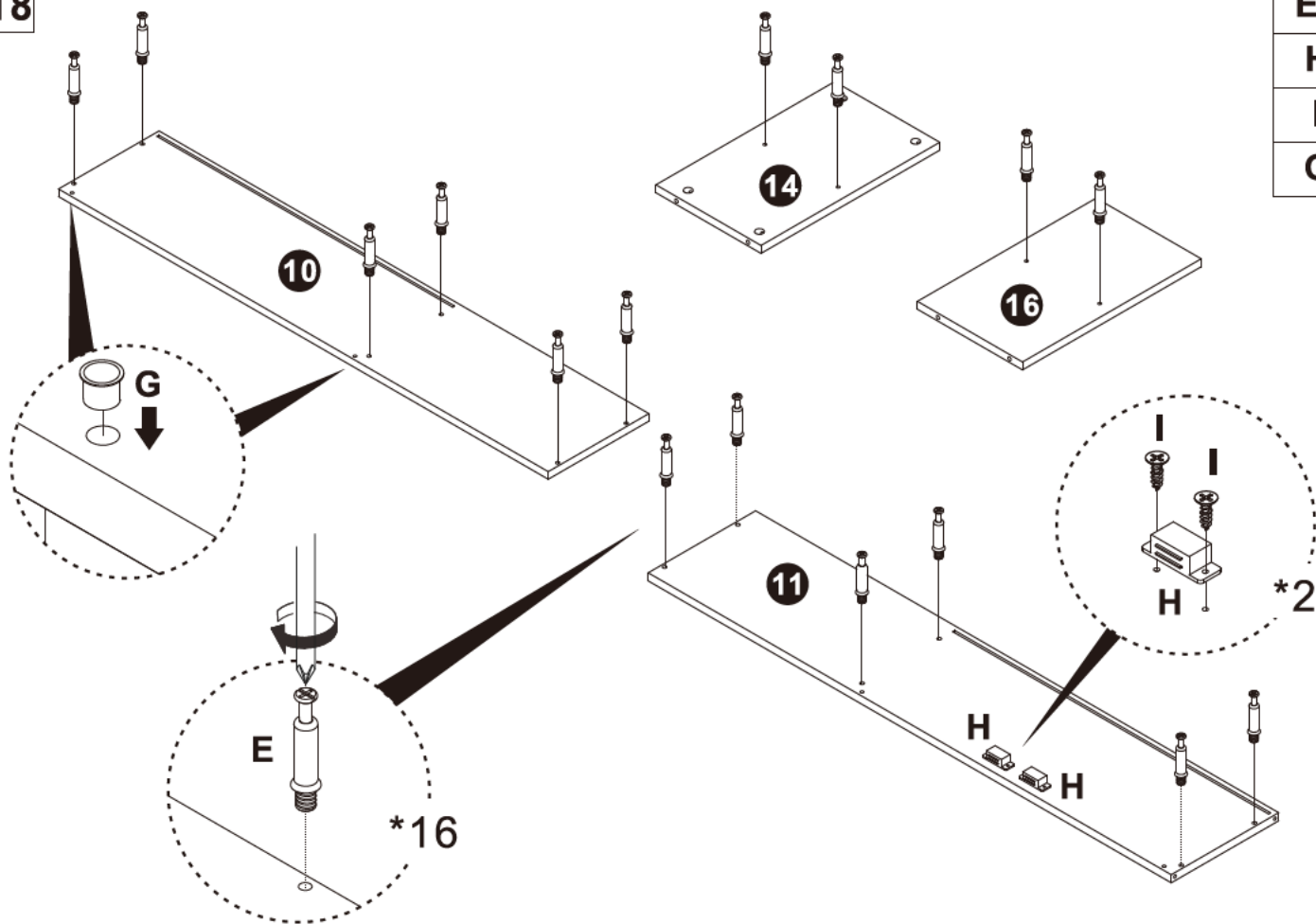
18

Ex16

Hx2

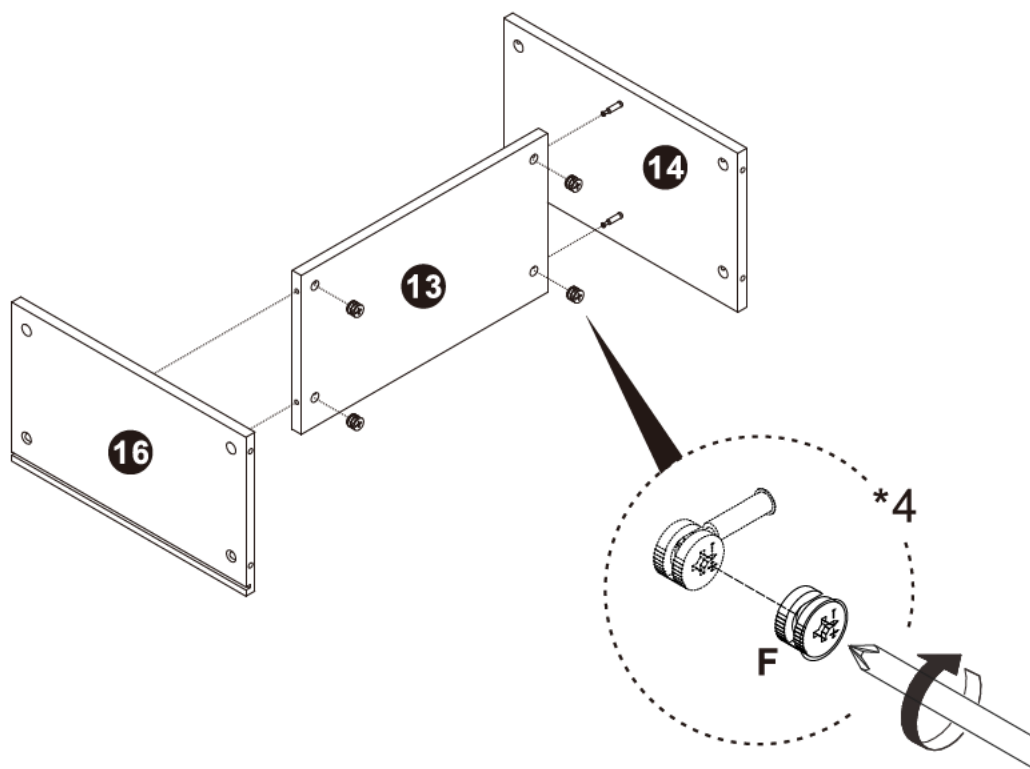
Ix4

Gx2



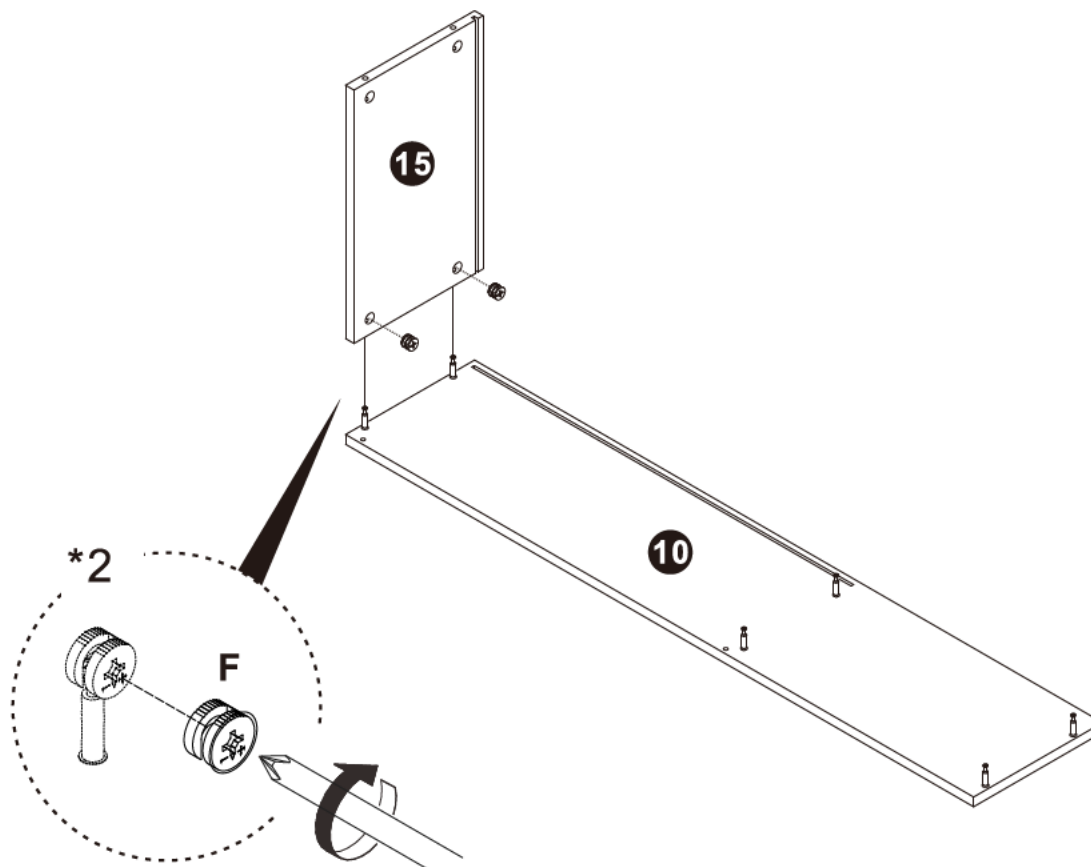
19

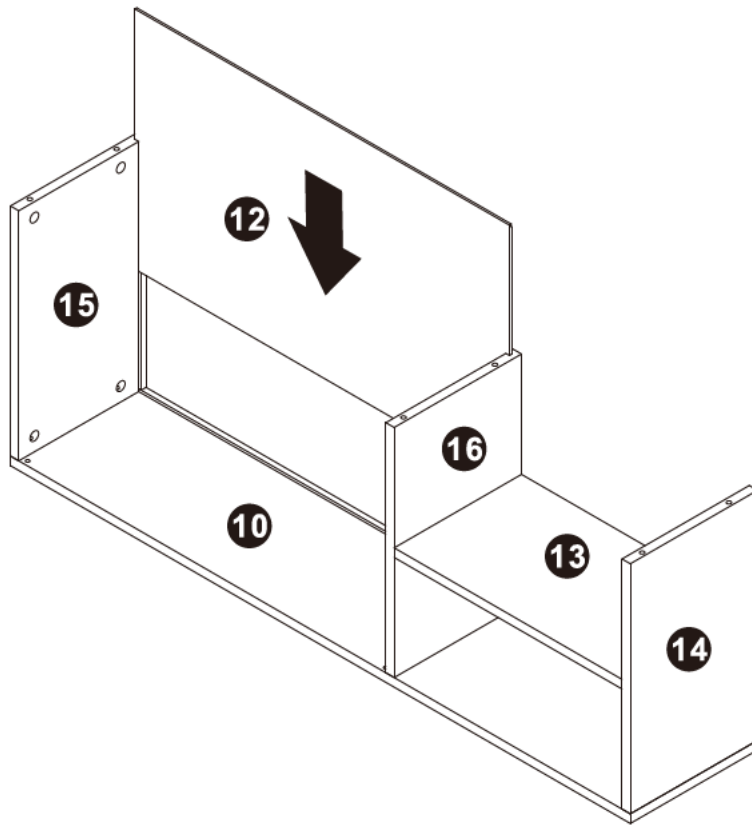
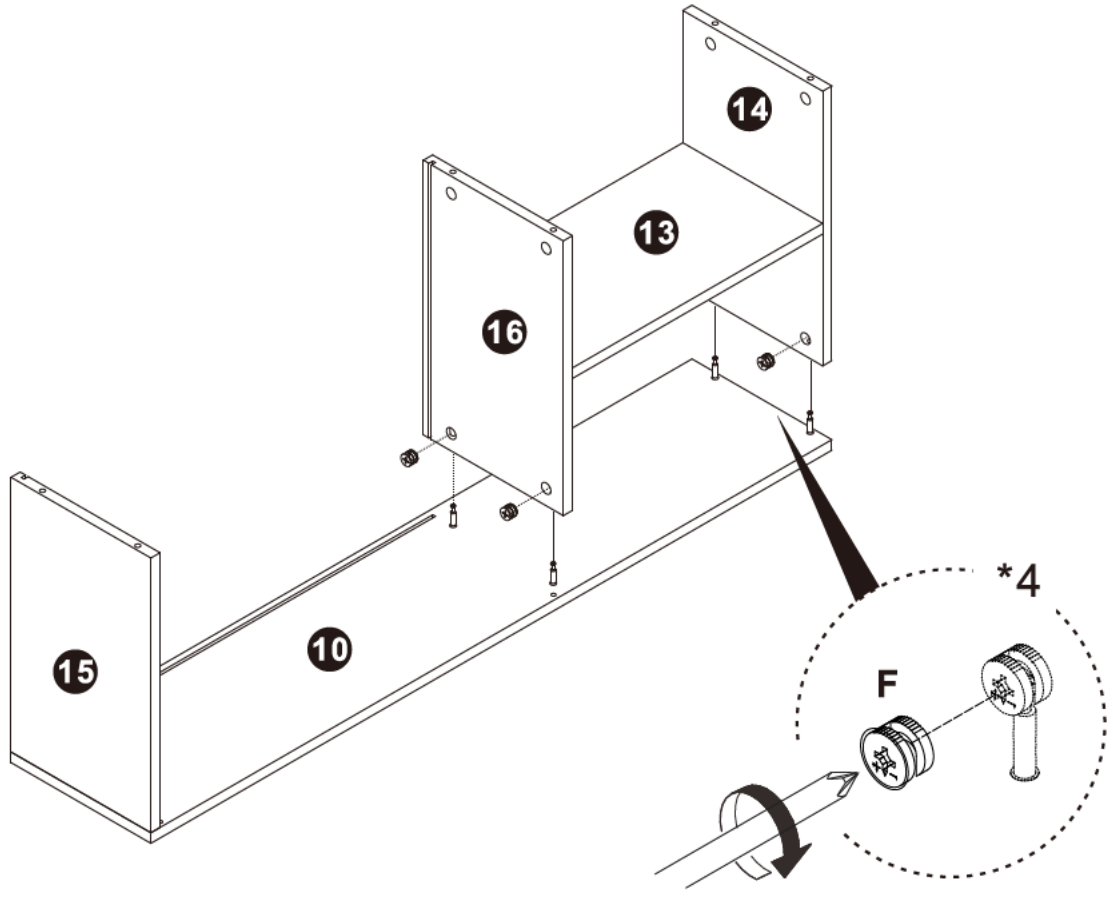
Fx4



20

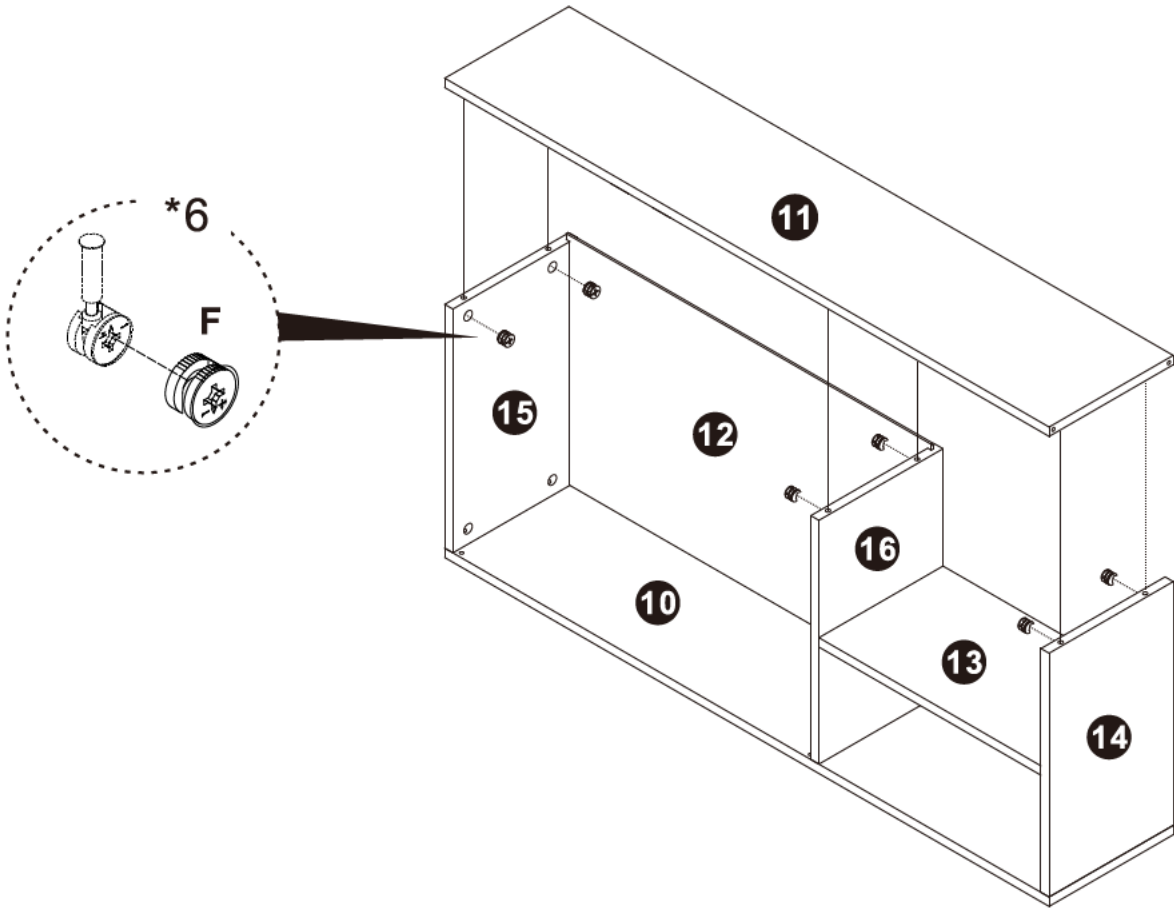
Fx2





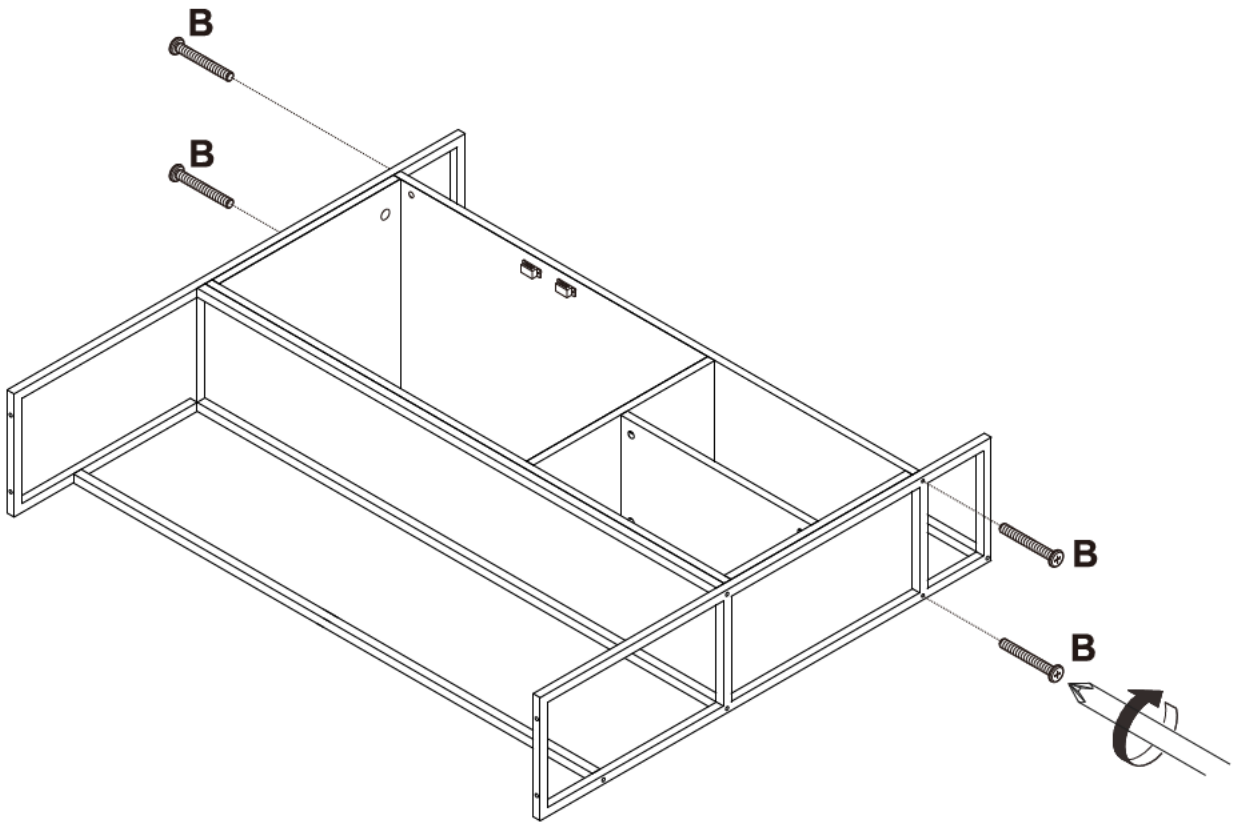
23

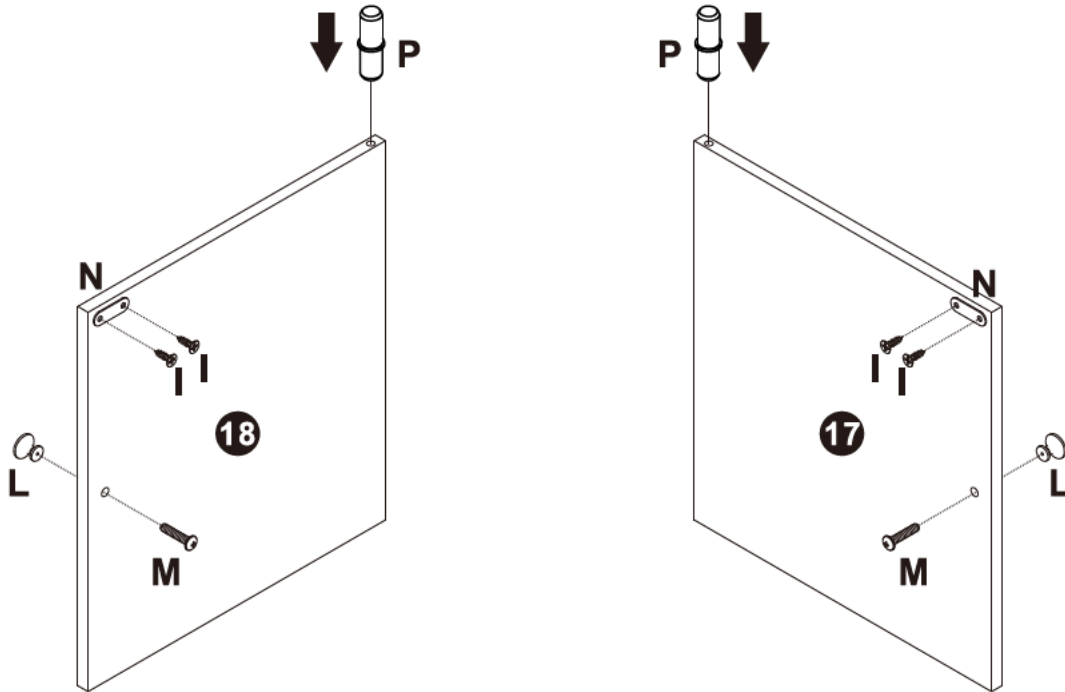
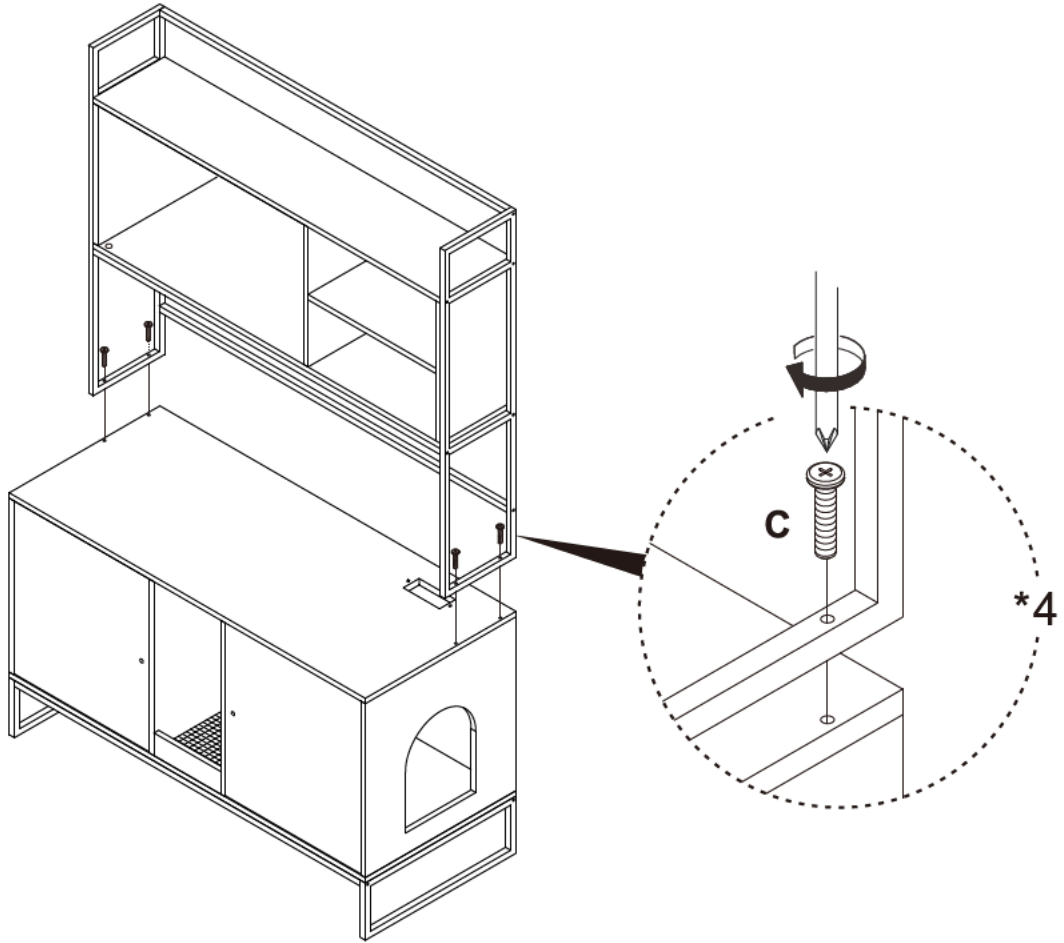
Fx6



24

Bx4

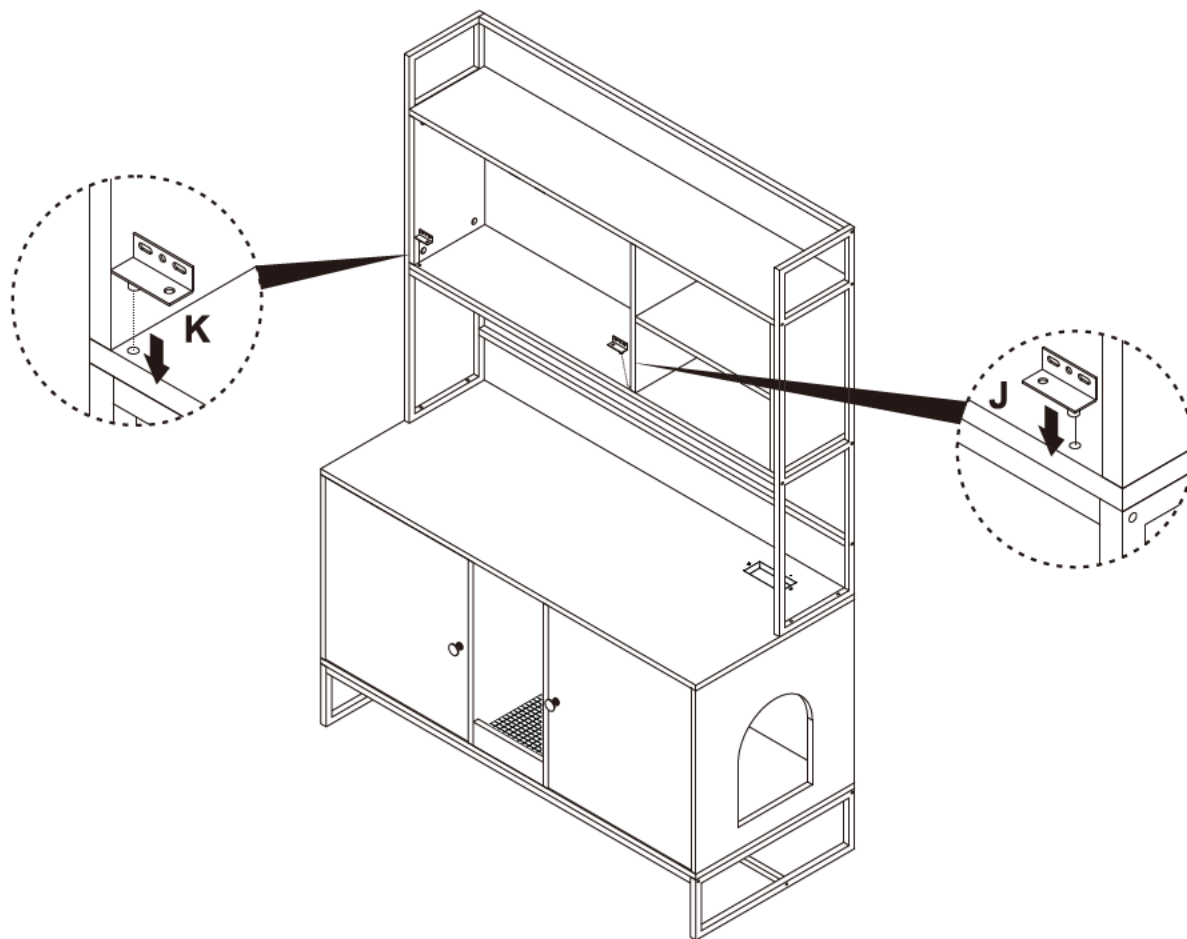




27

Jx1

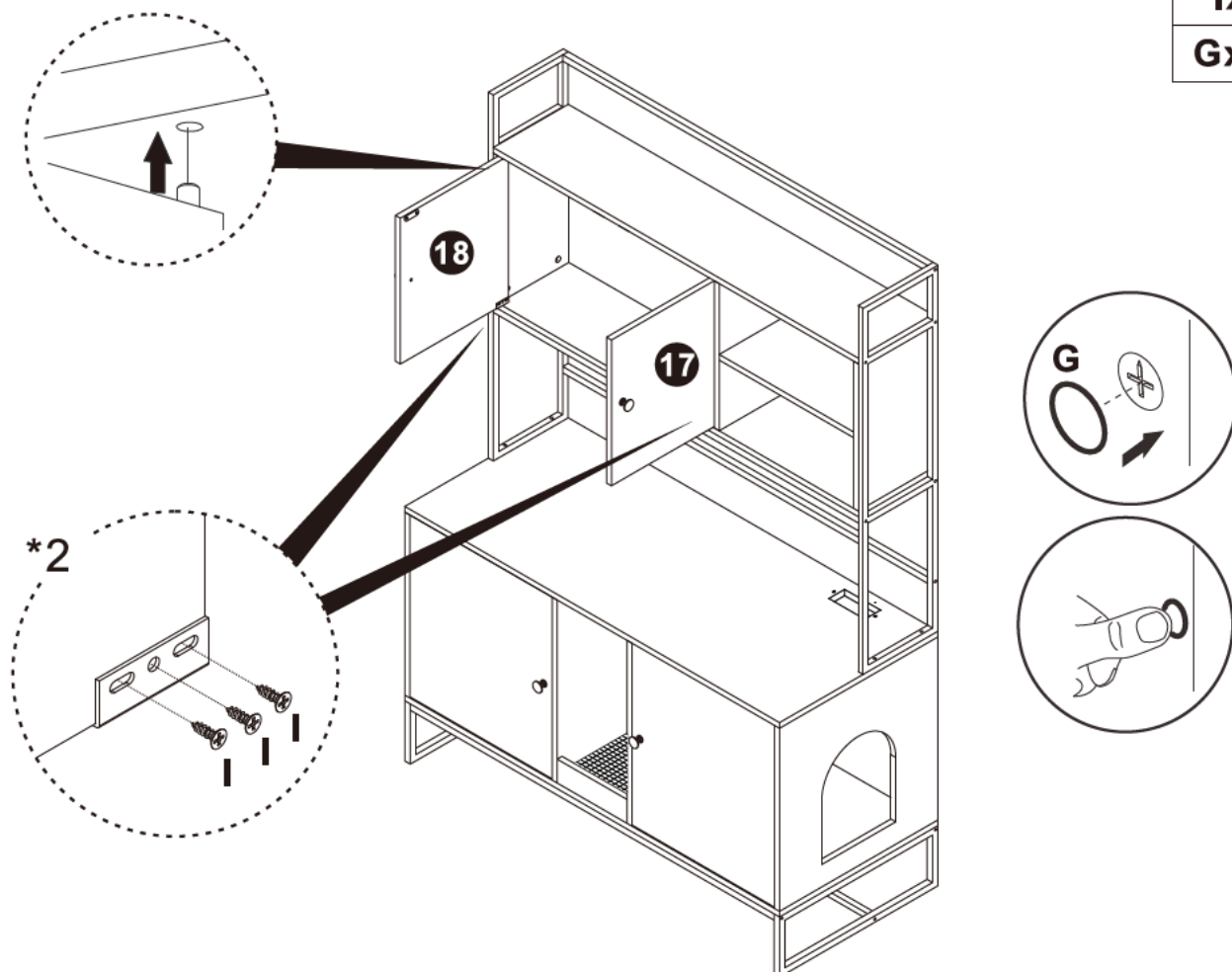
Kx1



28

Ix6

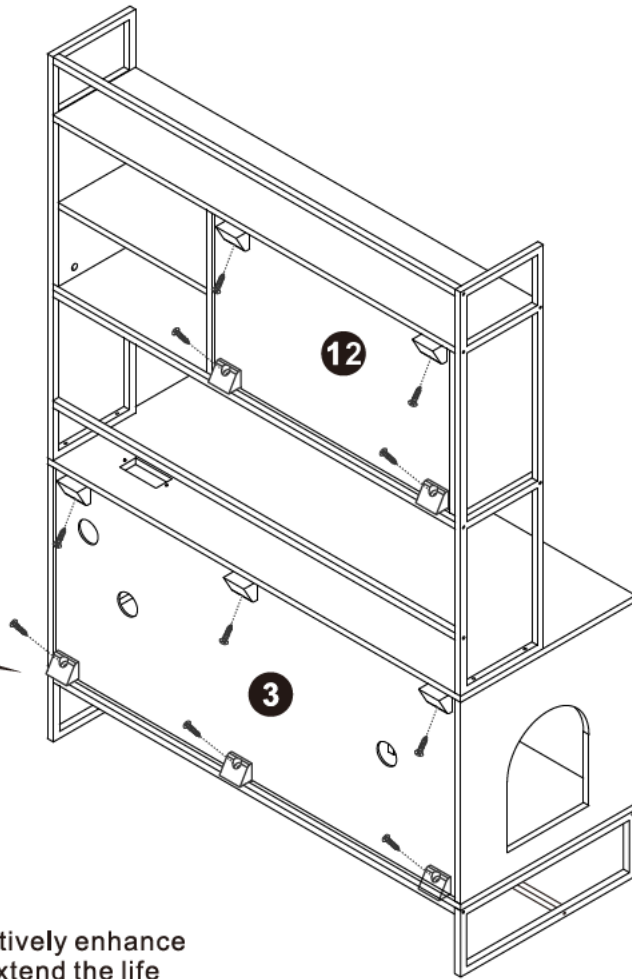
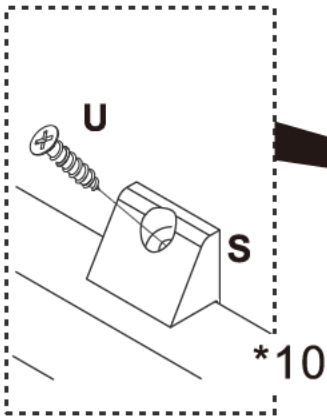
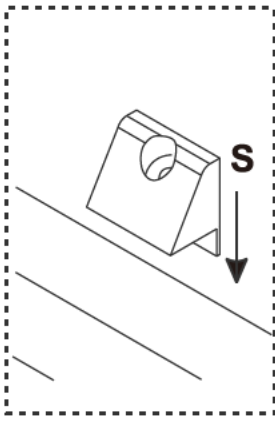
Gx34



29

Sx10

Ux10

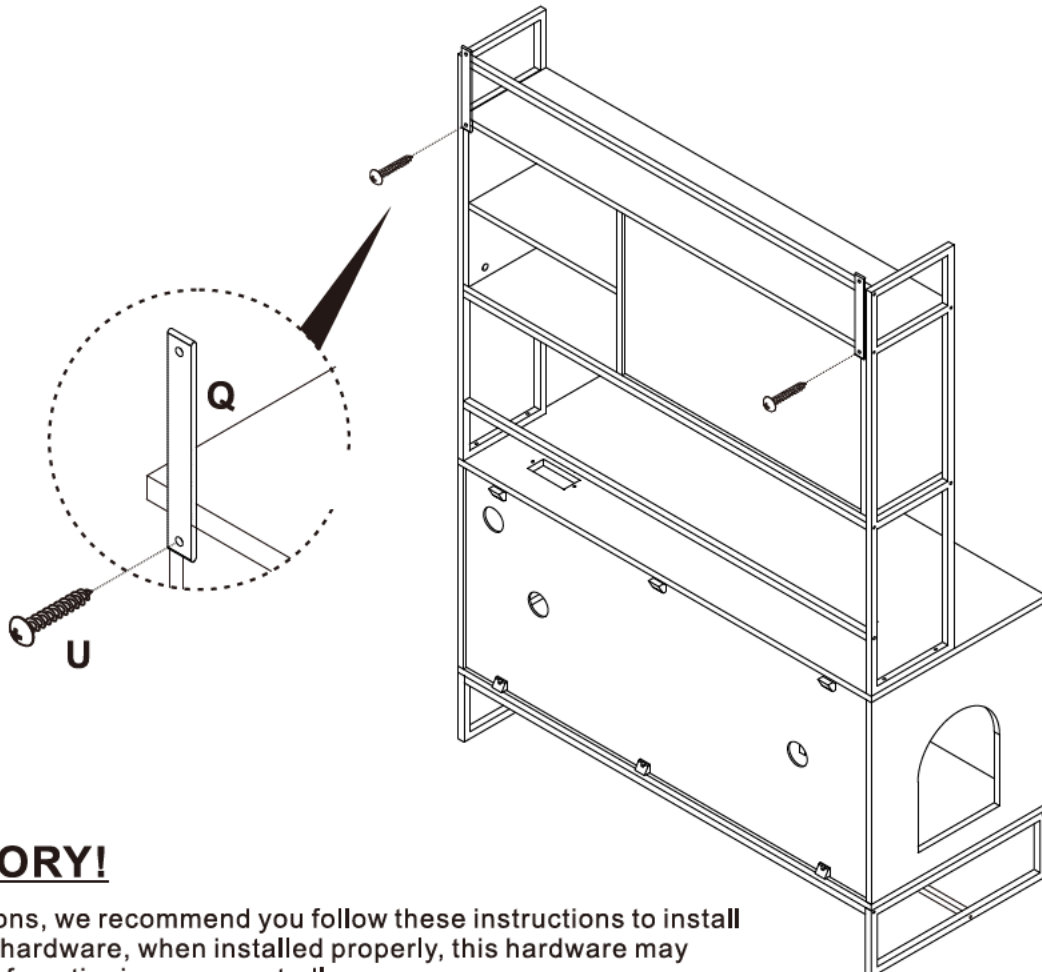


Install backboard nails can effectively enhance the stability of the product and extend the life span of the product.

30

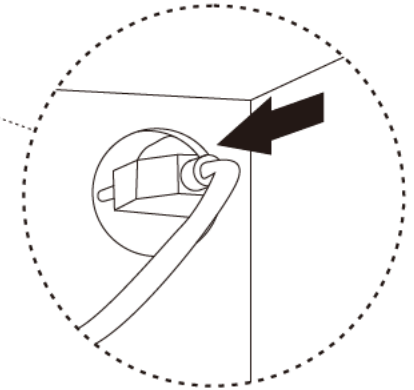
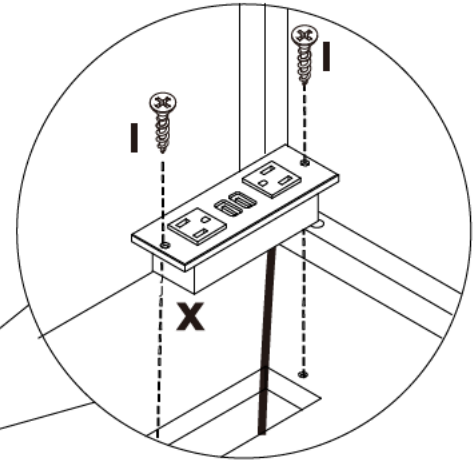
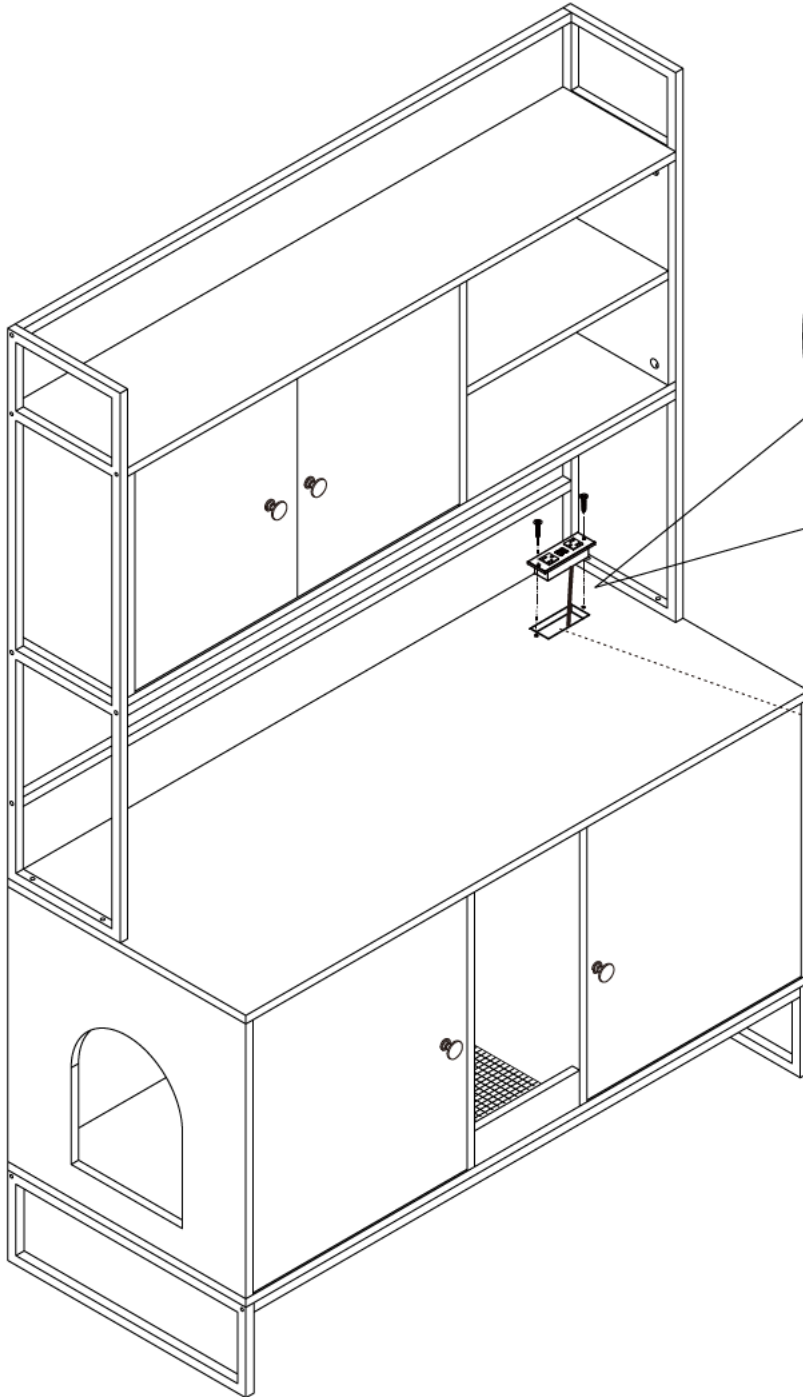
Qx2

Ux2



MANDATORY!

For safety reasons, we recommend you follow these instructions to install the anti-tipping hardware, when installed properly, this hardware may prevent the unit from tipping unexpectedly.



Threaded through the power cord hole on the back Panel **3**

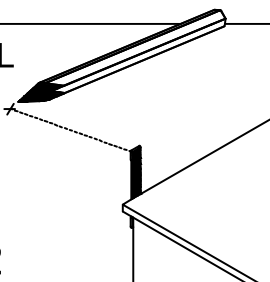
-WARNING-

Serious injury can occur if furniture tips over. Place heavy items on lower shelves and as far back as possible.

Vx2

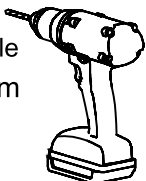
Rx2

WALL



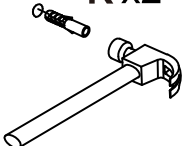
I x2

WALL +
drilling hole
Ø6x30mm

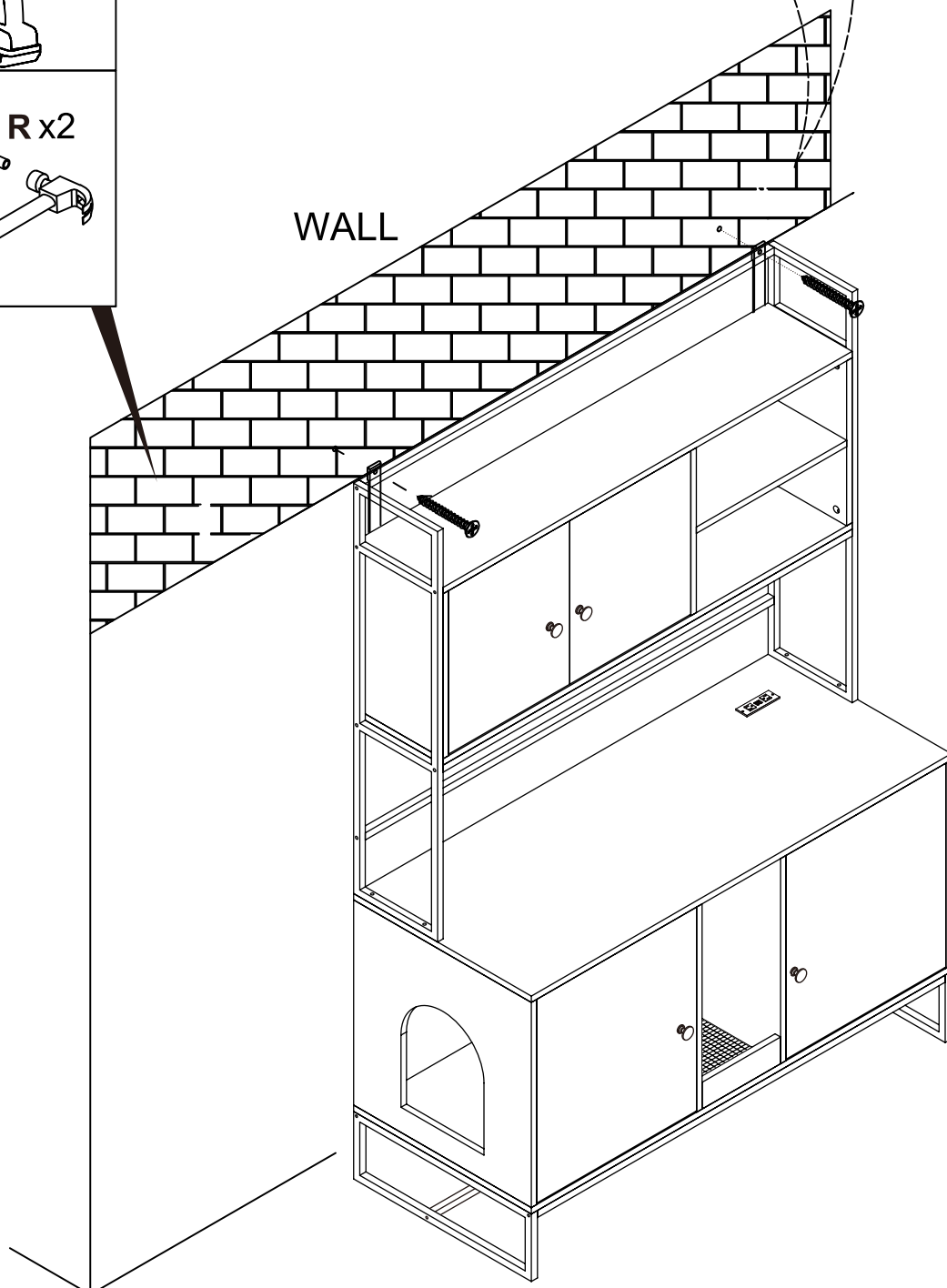
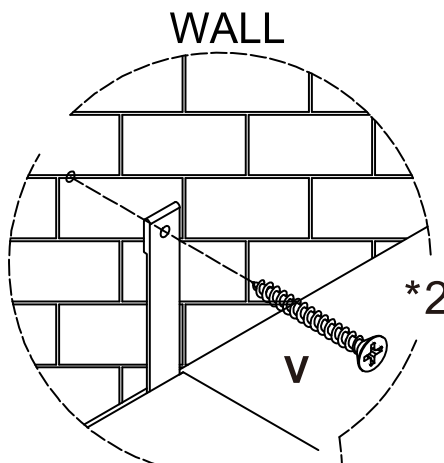


II x2

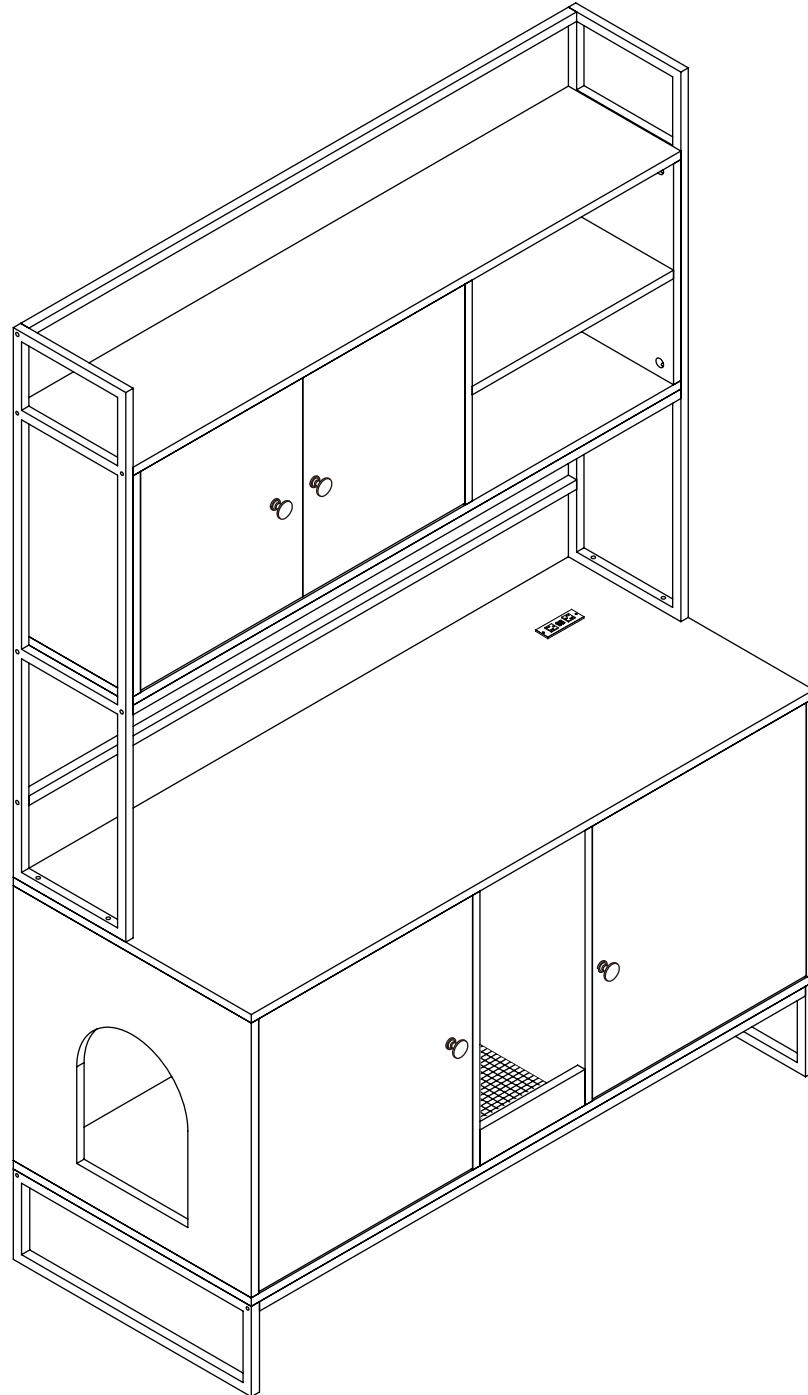
WALL R x2



III x2



Installation Completed!



SPECIFICATION

Size of Cat Litter Box	108*50*151.5 cm; 42.5*19.7*60 in
Box size	116.5*55*19 cm; 45.9*21.7*7.5 in
Carton Weight	36.6 kg/80.7 lb
Material	MDF board, steel, metal