

ASSEMBLY INSTRUCTION

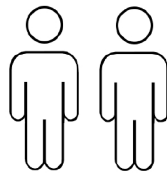
F



+ Do Not Use Power Tools



+ Suggested Adults



NOTE:

- 1 Read instructions cover to cover.
- 2 Save all packaging until assembly is completed.

1 IMPORTANT SAFETY INFORMATION

Do not assemble the product if any of the following parts arrived damaged:

- Part # - Side Rails
- Part # - Center Support Bar
- Part # - Support Legs
- Part # - Slats

2 IMPORTANT ASSEMBLY INFORMATION

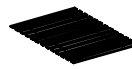
Assembly Step Ensure the side rail bracket is fully hooked onto bolt loosely threaded with both washers on the OUTSIDE of the bracket first, then proceed to fully tightening all 4 corners.

+ Parts Included

- ① Headboard (1 of pc) ② Footboard (1 of pc) ③ Side Rail (2 of pcs)



- ④ 13 Pcs Slat (1 of set) ⑤ Center Rail (1 of pc) ⑥ Support Leg (2 of pcs)



- ⑦ Headboard Metal (Left) (1 of pc) ⑧ Headboard Metal (Right) (1 of pc) ⑨ Footboard Metal (Left) (1 of pc)

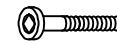


- ⑩ Footboard Metal (Right) (1 of pc) ⑪ Headboard and Footboard Upper Metal (2 of pcs) ⑫ Side Rail Upper Metal (2 of pcs)



+ Hardware Included

- A Black JCBC M6x20mm (16 of pcs) B Black JCBC M6x50mm (8 of pcs) C JCBB M8x20mm (16 of pcs)



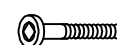
- D Allen Key M4 x 65mm (1 of pc) E Allen Key M5 x 70mm (1 of pc) F CSK M4 x 25mm (2 of pcs)



- G CSK M4 x 32mm (29 of pcs) H Small Adjuster (2 of pcs) I Black Spring Washer (24 of pcs)

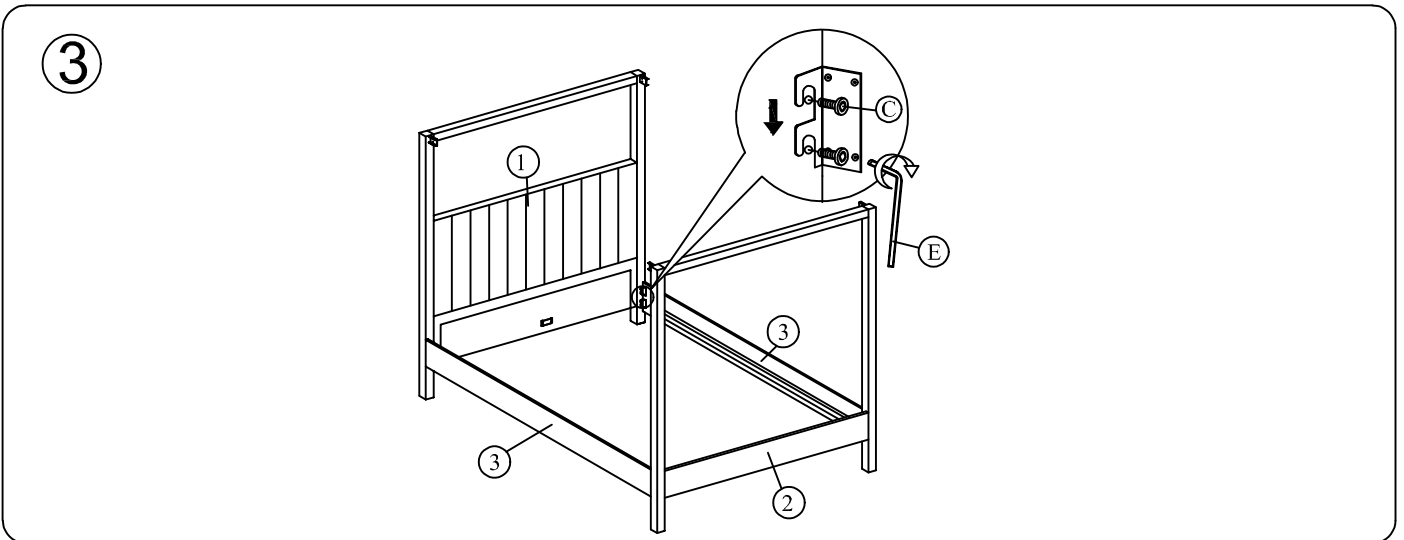
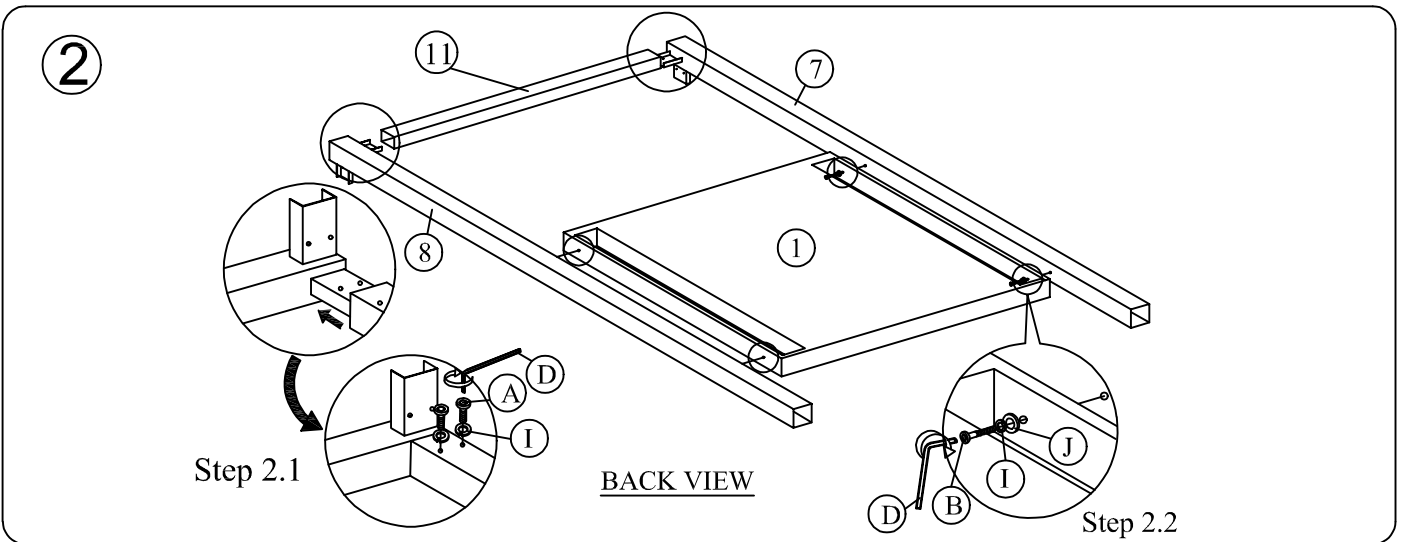
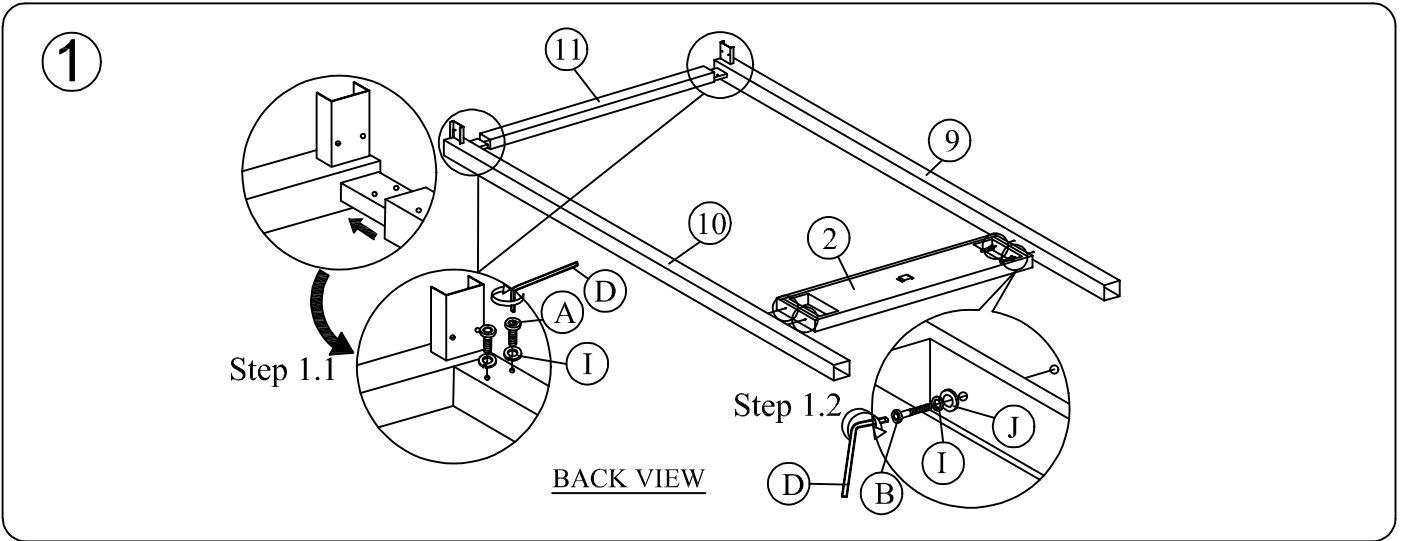


- J Black Flat Washer (8 of pcs) K JCBC M6x40mm (2 of pcs)



ASSEMBLY INSTRUCTION

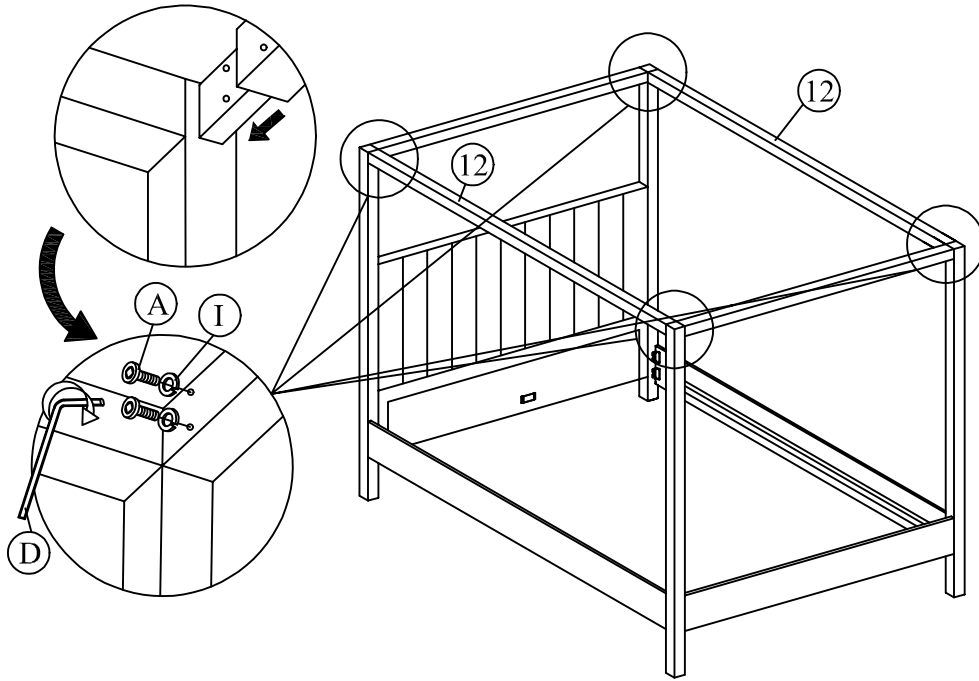
F



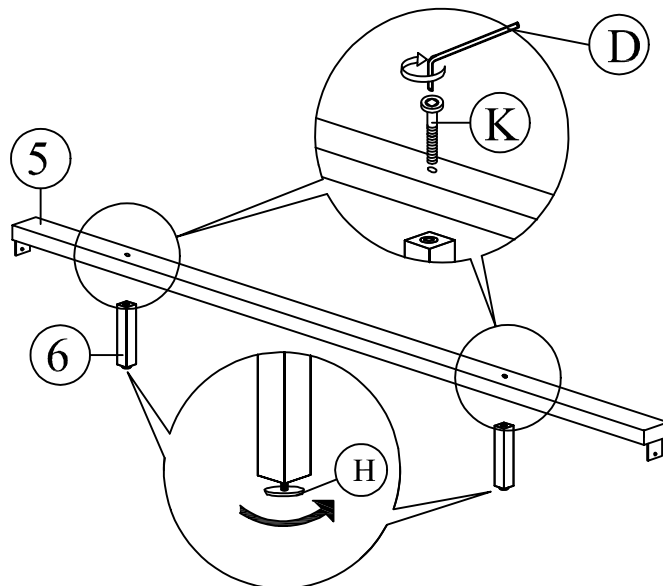
ASSEMBLY INSTRUCTION

F

4



5

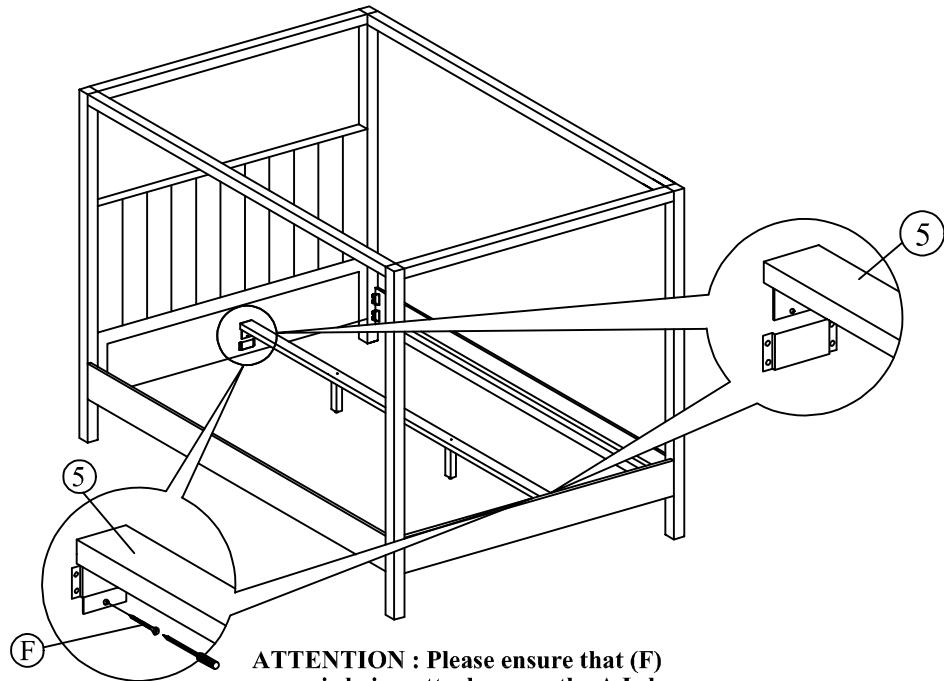


ATTENTION:
Please keep the adjuster around 5 to 8 mm
distance away from the floor.

ASSEMBLY INSTRUCTION

F

6



ATTENTION : Please ensure that (F) screw is being attach as per the A.I shown to avoid base being collapse.

7

