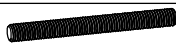


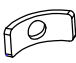
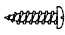
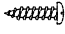







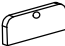
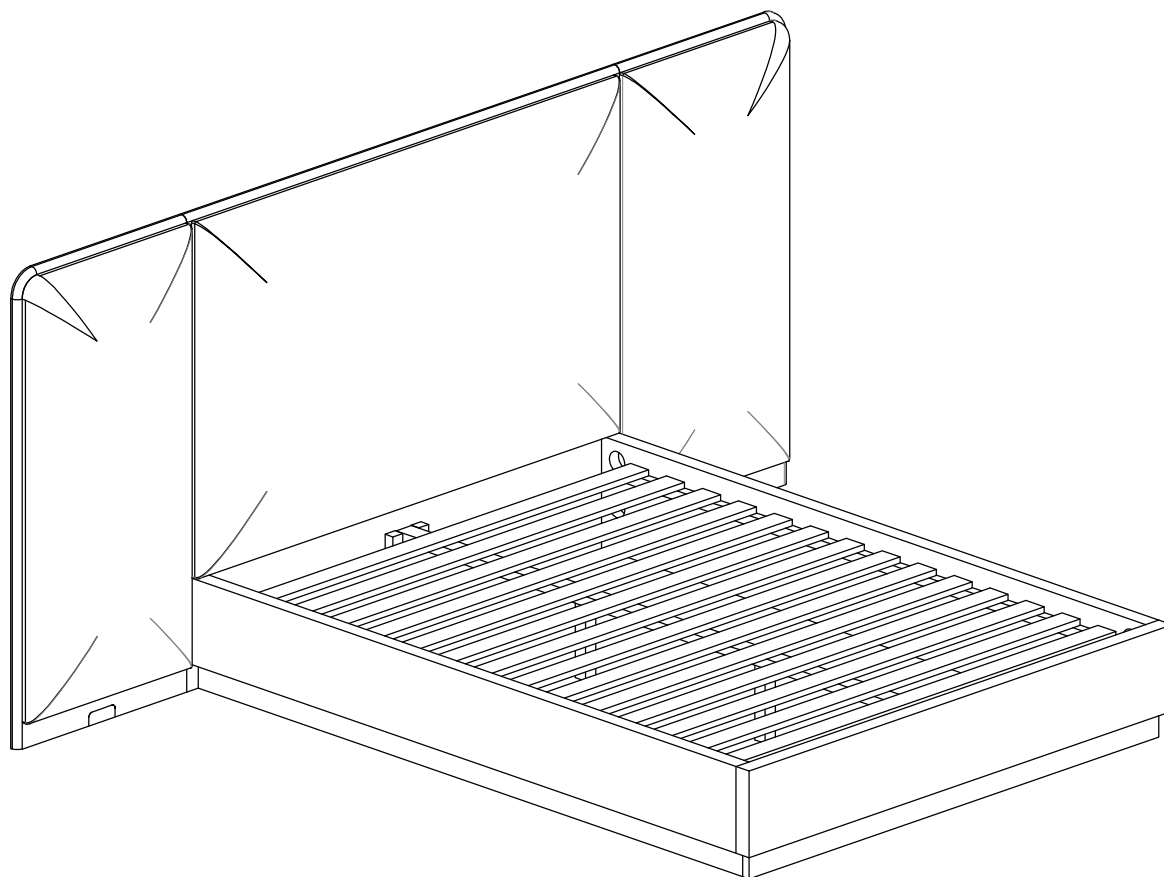


ASSEMBLY INSTRUCTION FOR REGAN QUEEN BED

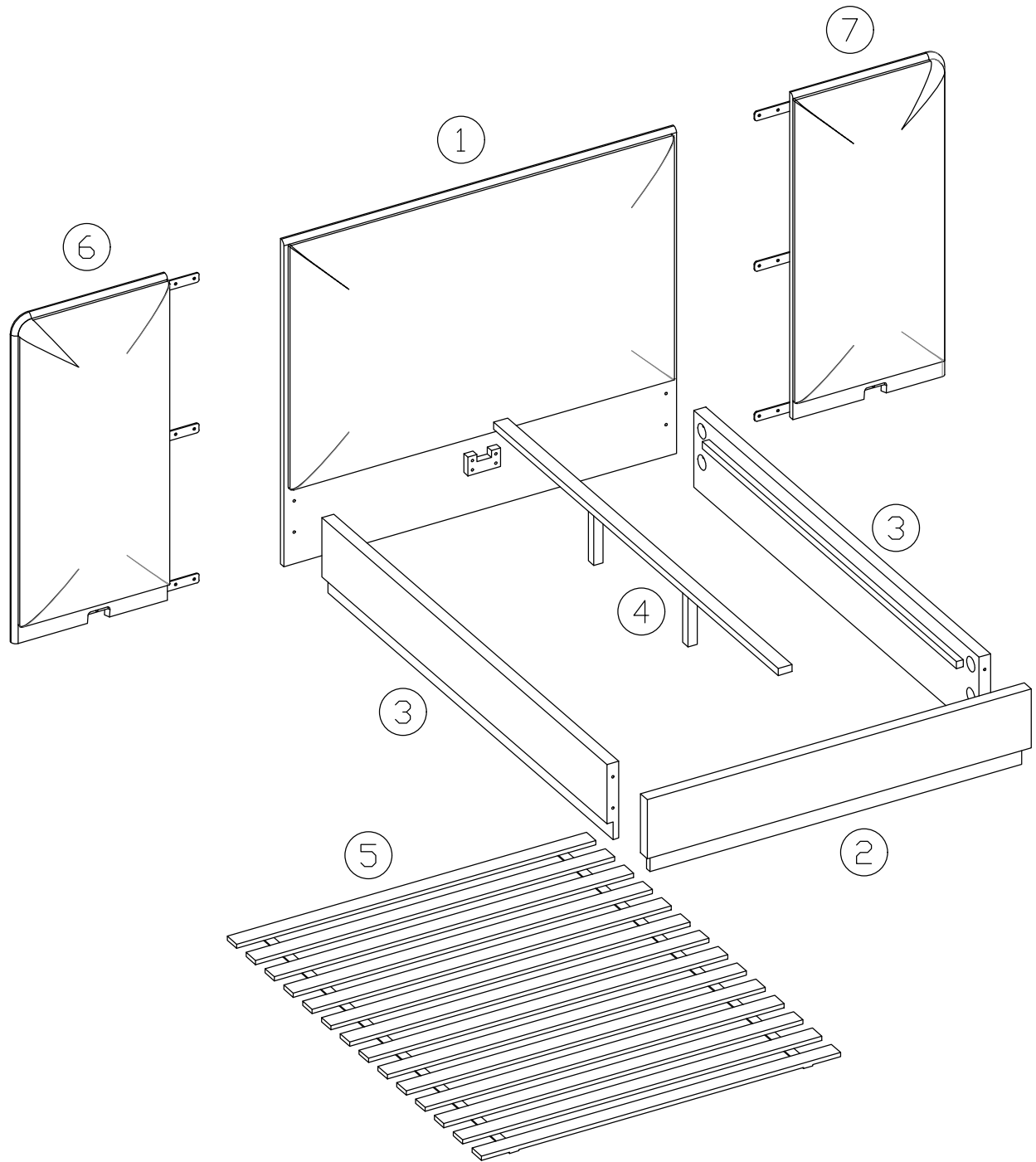
HARDWARE LIST

A		Threaded Rods	M8 x 90mm	8
B		Hex Nuts	M8 x15mm	8
C		Wrench	12 mm	1
D		Halfmoon washer	3 x 15 x 35 mm	8
E		Screw	4mm x 40mm	2
F		Screw	4mm x 30mm	6
G		Screwdrivers (Not included)		1
H		Leg Support		2
I		Metal plate connected		6
J		Bolt	6mm x 20mm	24
K		washer	M6	24
L		Lock washer	M6	24
M		Allen Wrench	4mm	1
N		Cover cap Management		2

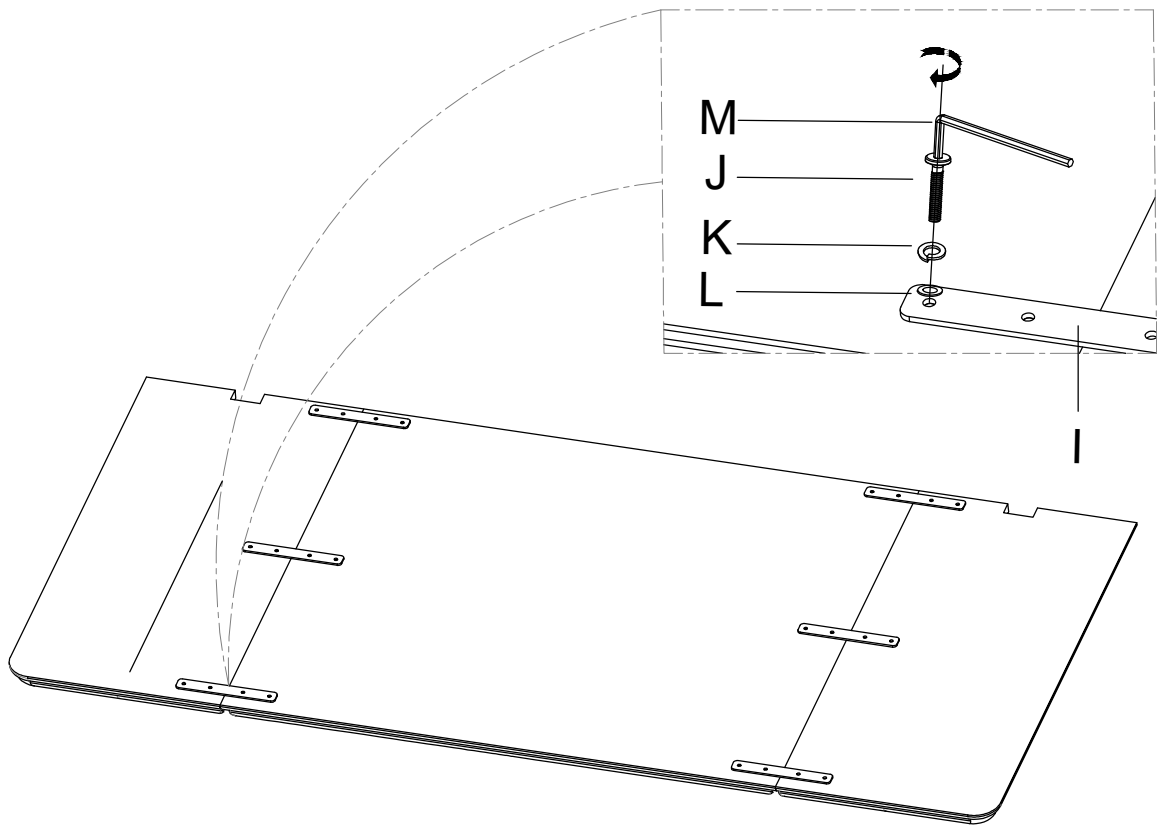


Two people required to assemble this Bed

COMPONENTS

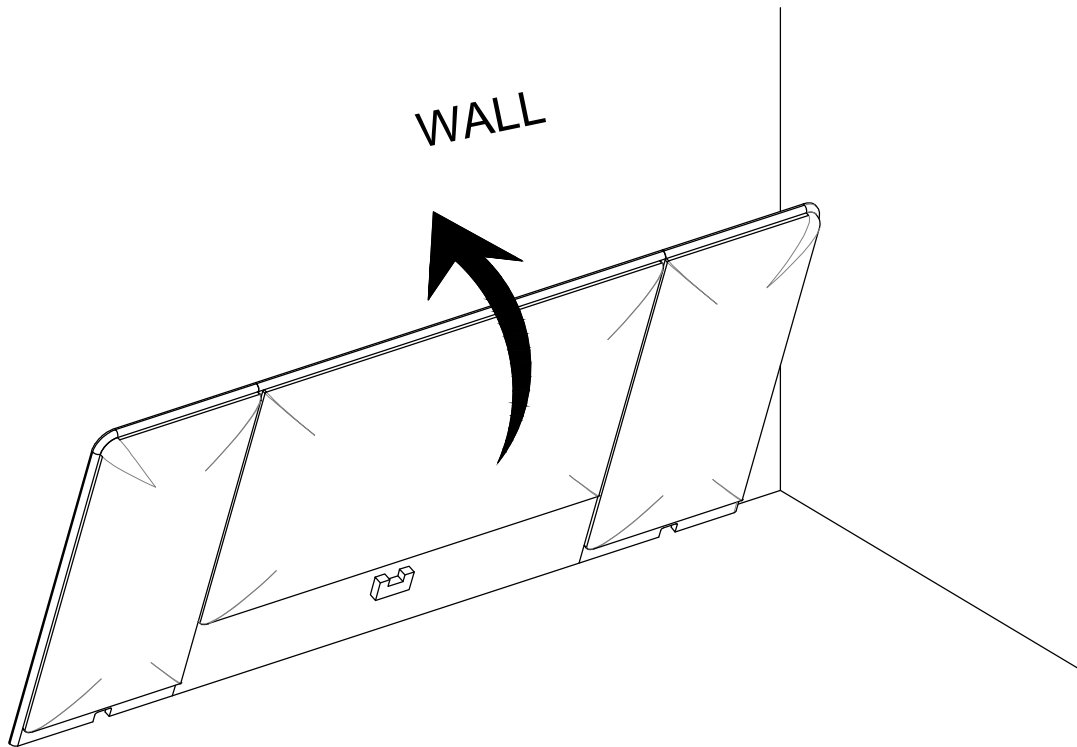


1



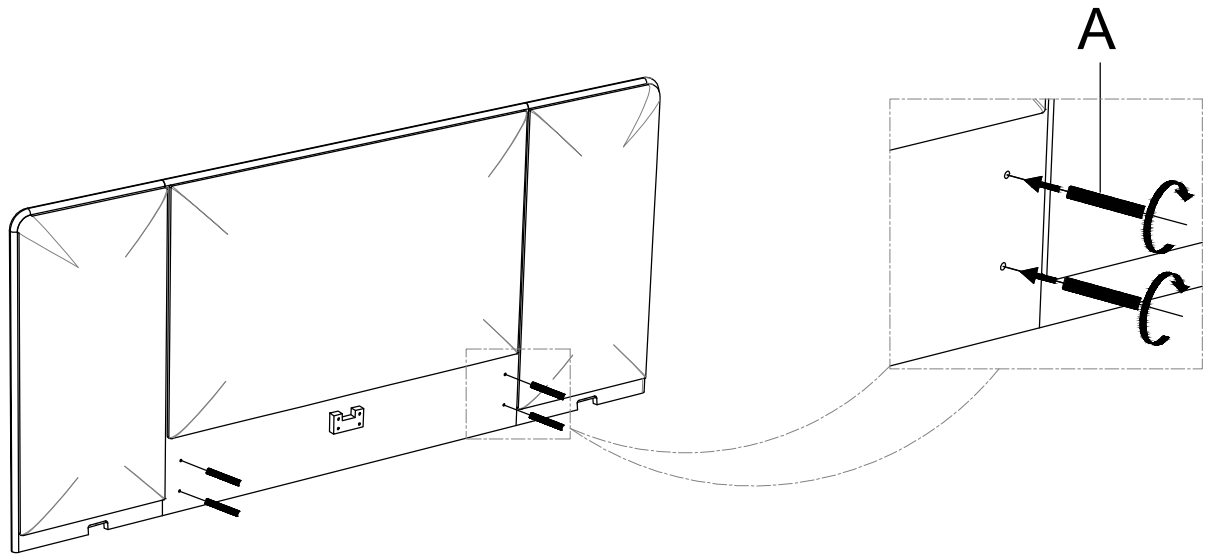
Affix the extension panels first

2

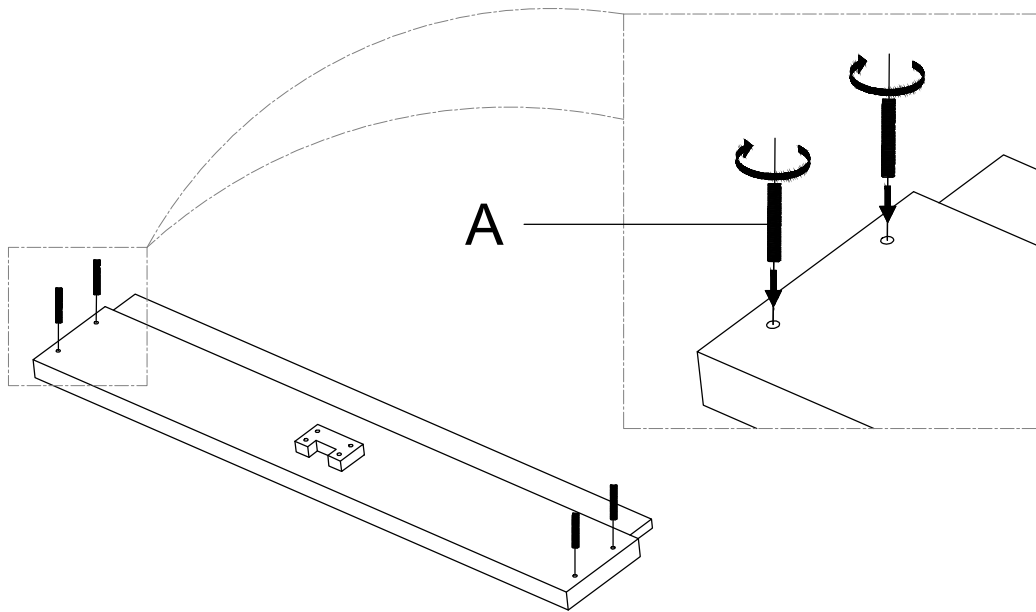


Place it in permanent location against the wall

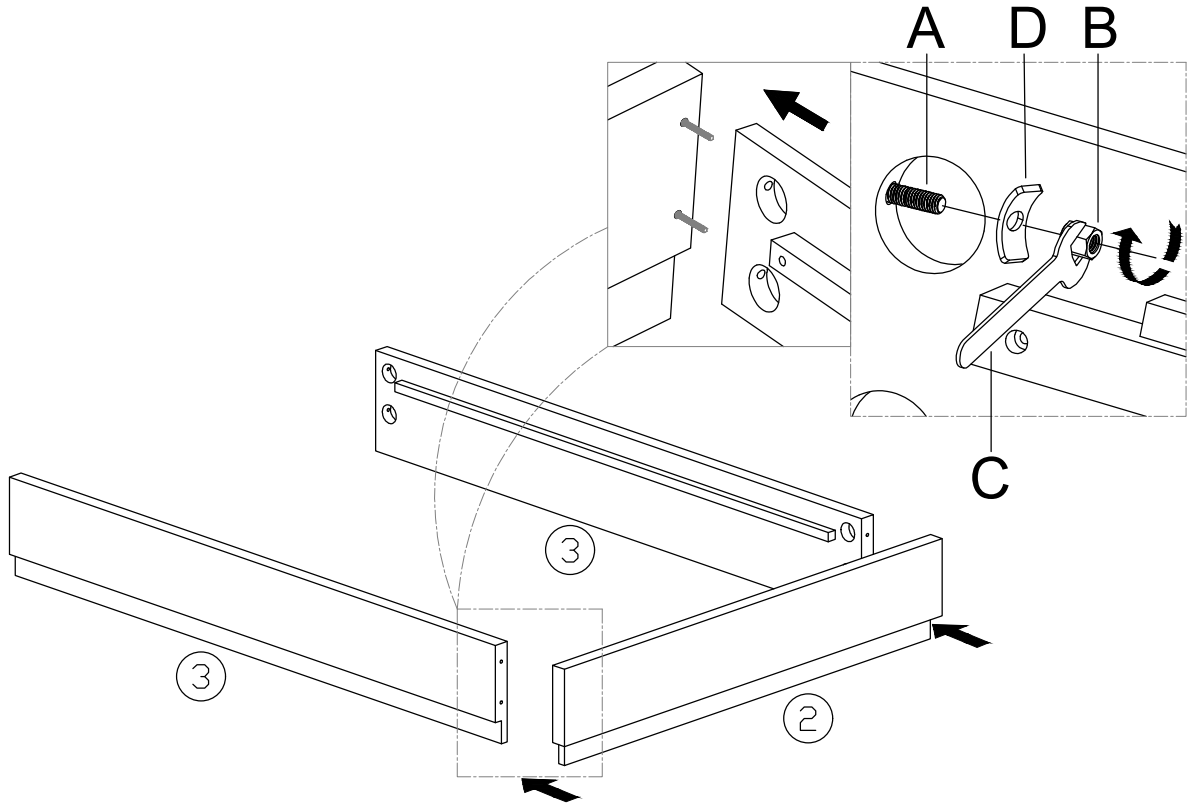
3



4

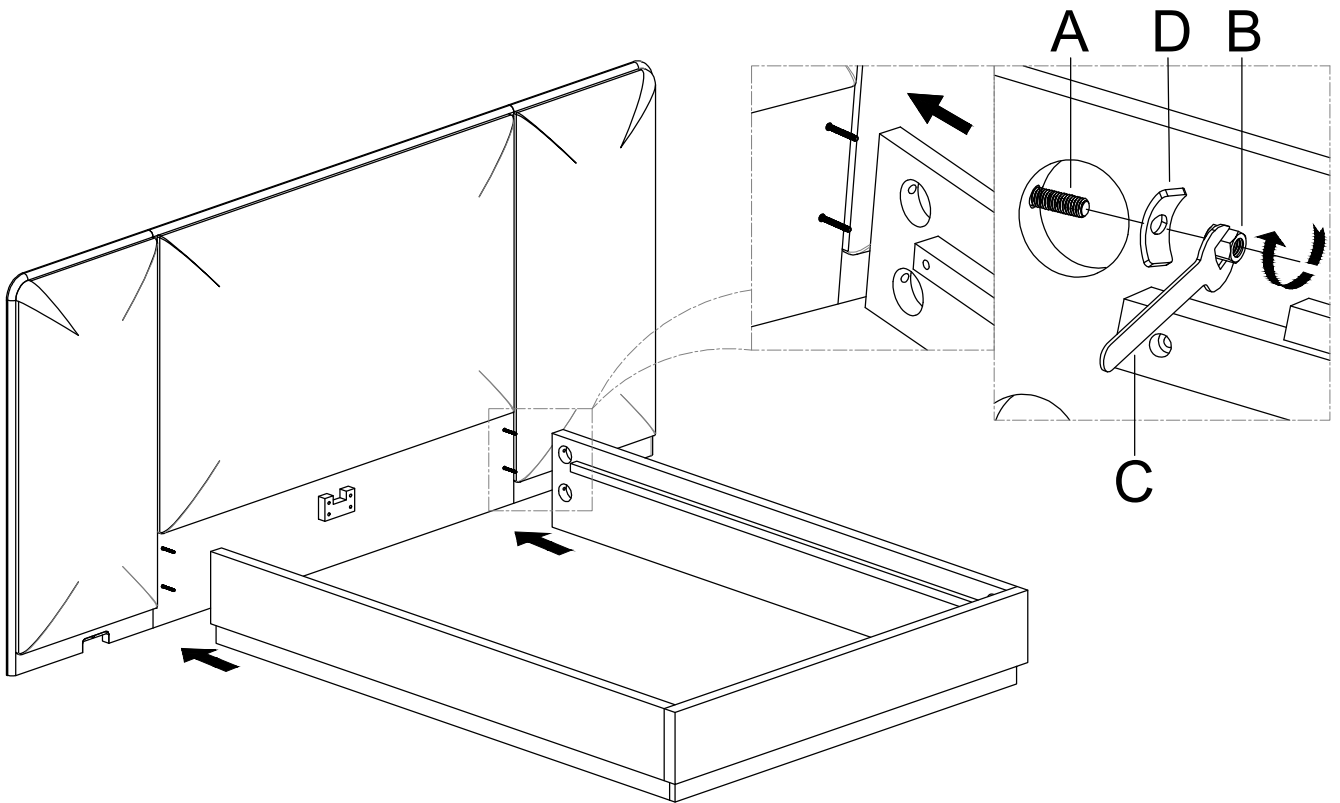


5



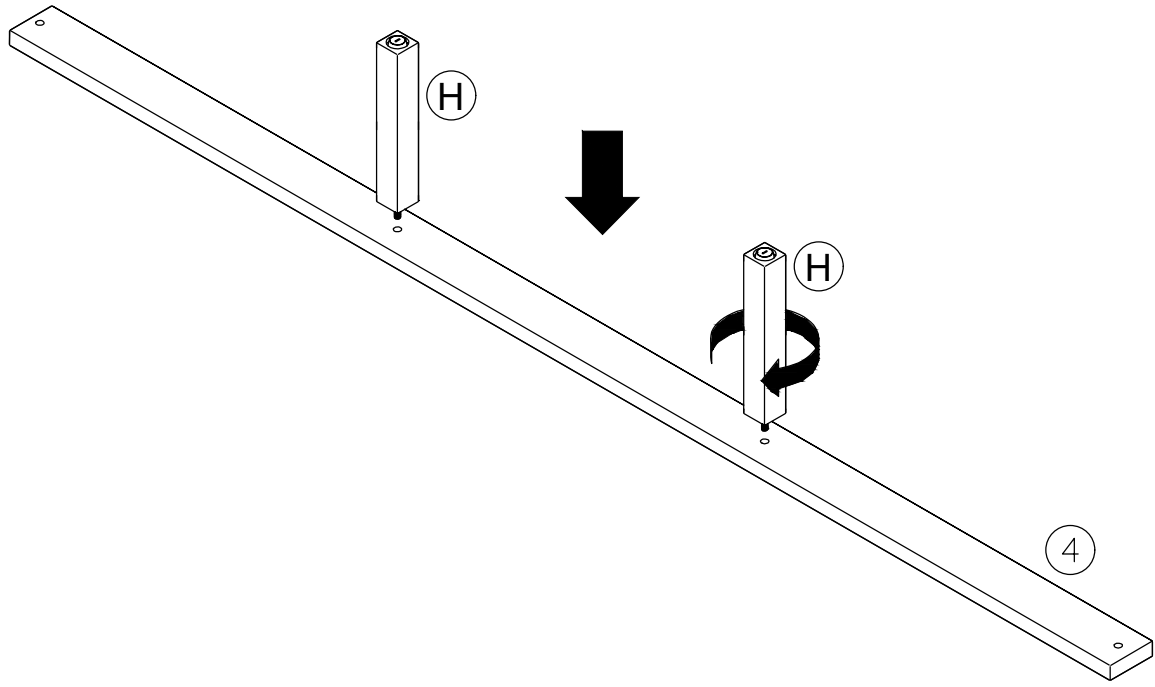
Attach side rails to footboard

6



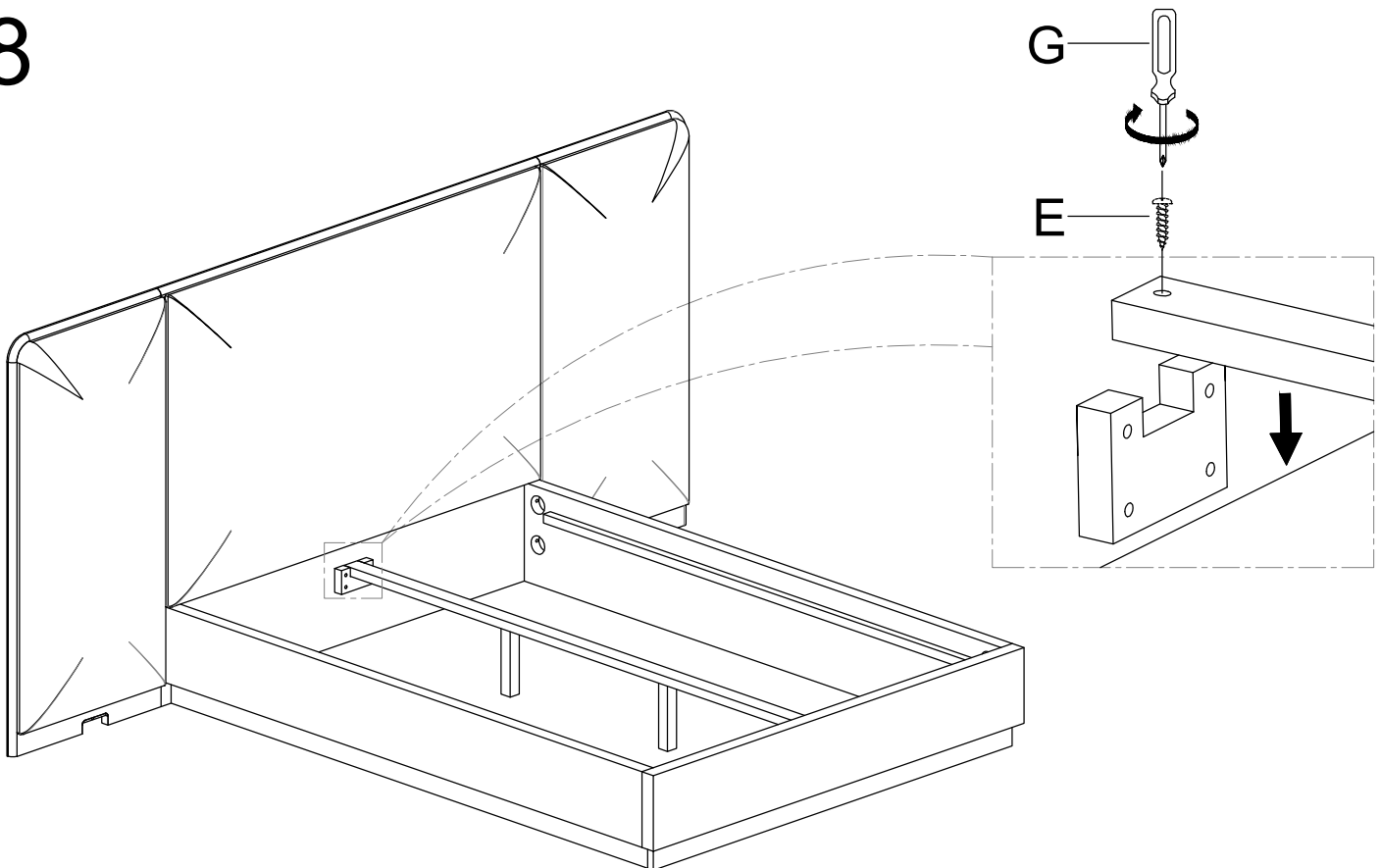
Attach siderails to headboard

7



Attach leg support to the center rails

8



Attach the center rails to the headboard

10

