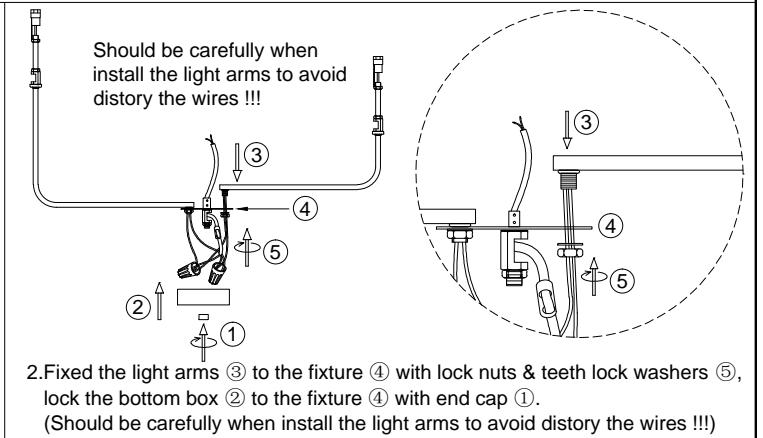
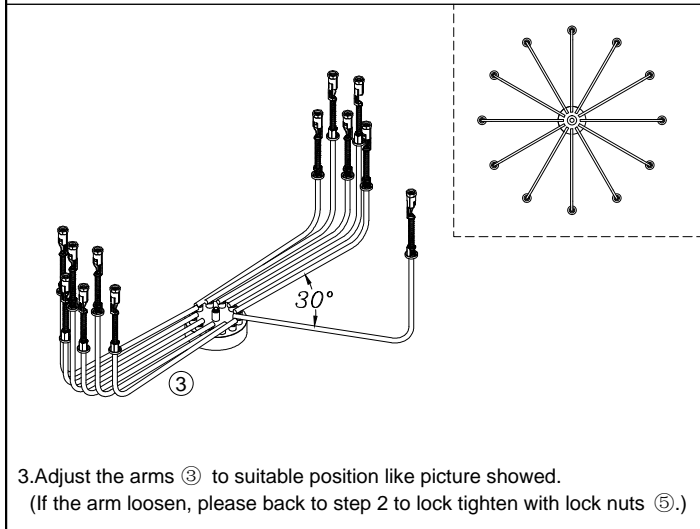


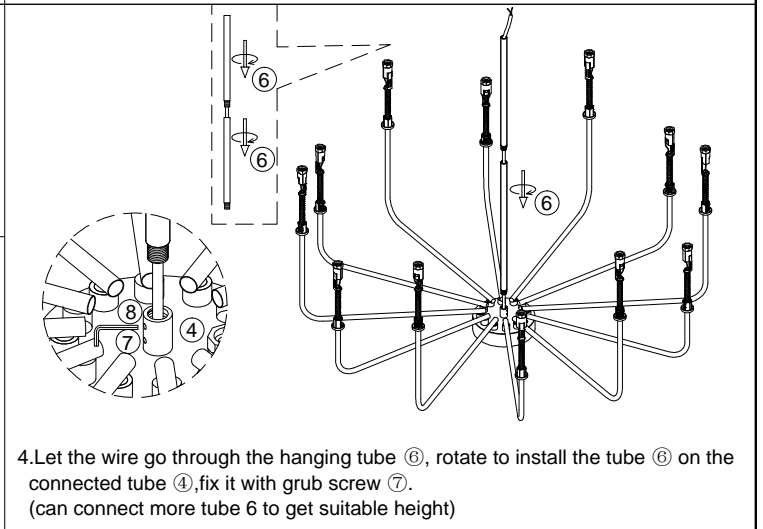
1. Rotate end cap ① to remove out bottom box ②.



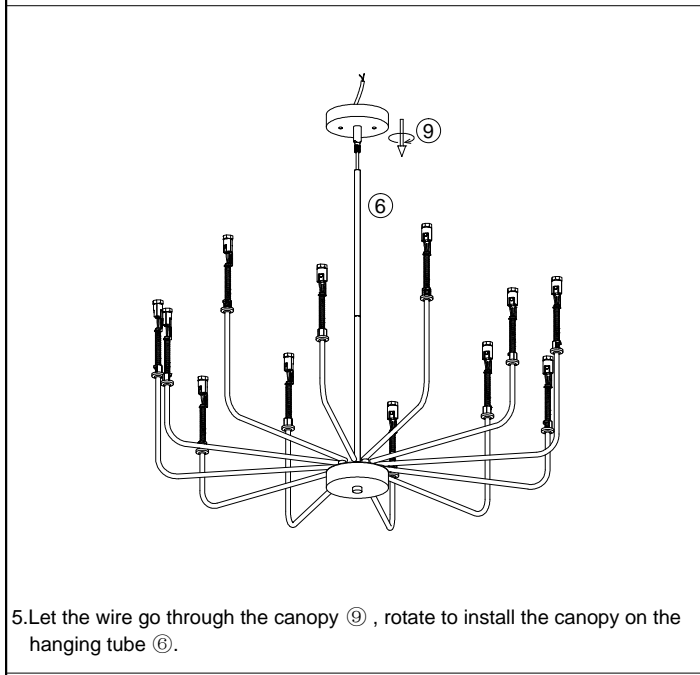
2. Fixed the light arms ③ to the fixture ④ with lock nuts & teeth lock washers ⑤, lock the bottom box ② to the fixture ④ with end cap ①. (Should be carefully when install the light arms to avoid distory the wires !!!)



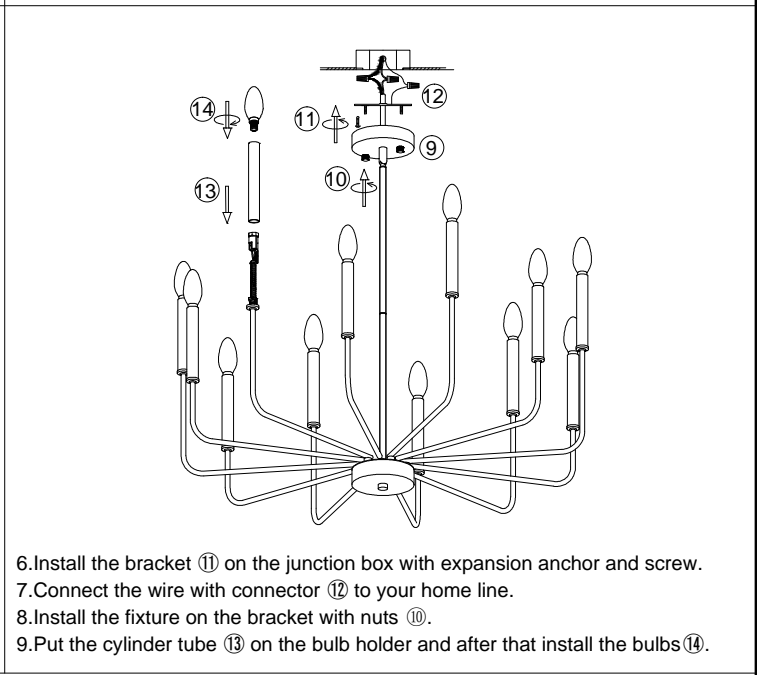
3. Adjust the arms ③ to suitable position like picture showed. (If the arm loosen, please back to step 2 to lock tighten with lock nuts ⑤.)



4. Let the wire go through the hanging tube ⑥, rotate to install the tube ⑥ on the connected tube ④, fix it with grub screw ⑦. (can connect more tube 6 to get suitable height)



5. Let the wire go through the canopy ⑨, rotate to install the canopy on the hanging tube ⑥.



6. Install the bracket ⑪ on the junction box with expansion anchor and screw.
7. Connect the wire with connector ⑫ to your home line.
8. Install the fixture on the bracket with nuts ⑩.
9. Put the cylinder tube ⑬ on the bulb holder and after that install the bulbs ⑭.

Please read carefully before installation!!!
 Note : Please make sure that the electricity is powered off during installation !
 Only a professional electrician should install this kind of product !