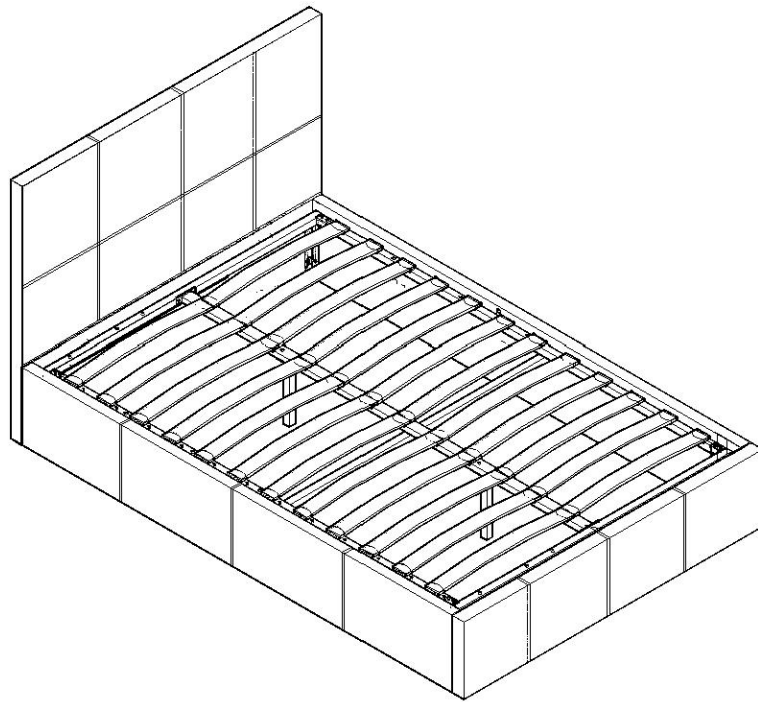
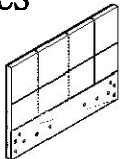
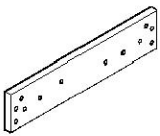
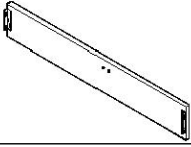

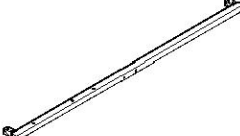
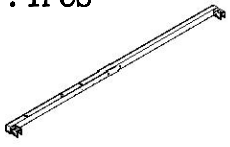
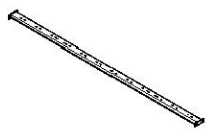
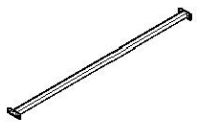
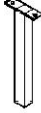




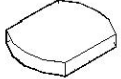


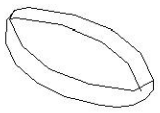
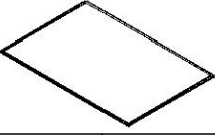
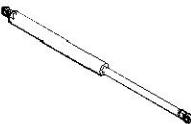





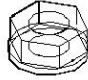
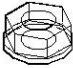






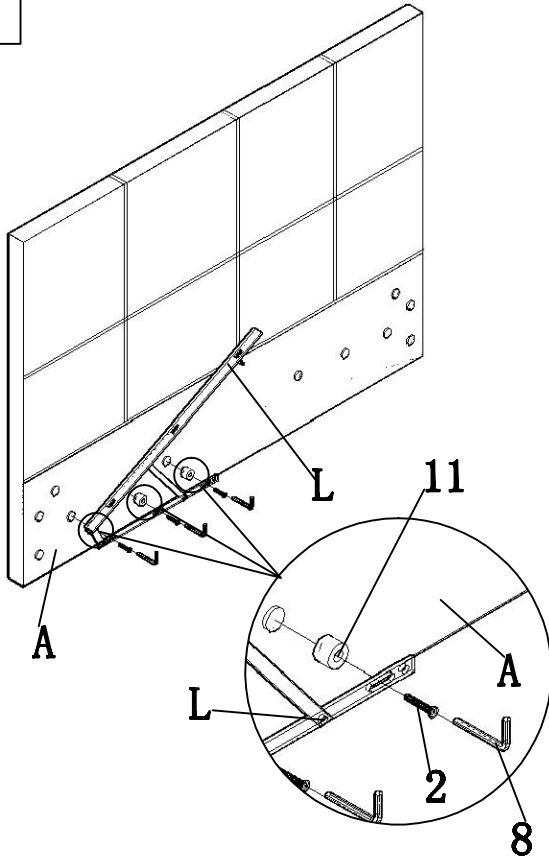
ASSEMBLY INSTRUCTIONS



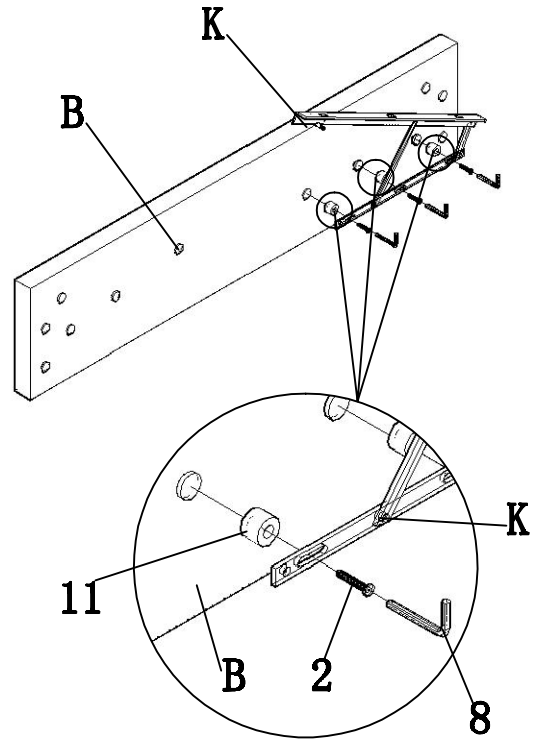
A. 1PCS 	B. 1PCS 	C. 2PCS 	D. 2PCS 	E. 1PCS 	
F. 1PCS 	G. 1PCS 	H. 1PCS 	I. 2PCS 	J. 2PCS 	
K. 1PCS 	L. 1PCS 	M. 24PCS 	N. 12PCS 	O. 24PCS 	
P. 2PCS 	Q. 1PCS 	R. 1PCS 	S. 2PCS 		
1. M8*20 12PCS 	2. M8*40 12PCS 	3. M6*16 8PCS 	4. M6*35 8PCS 	5. M8*20 4PCS 	6. M8 6PCS 
7. M6 8PCS 	8. 	9. 	10. 7PCS 	11. 6PCS 	

ASSEMBLY INSTRUCTIONS

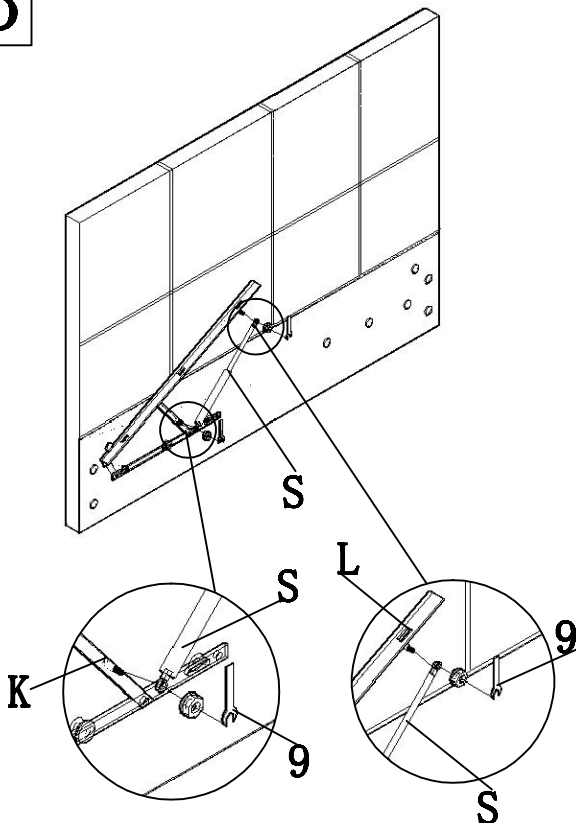
1



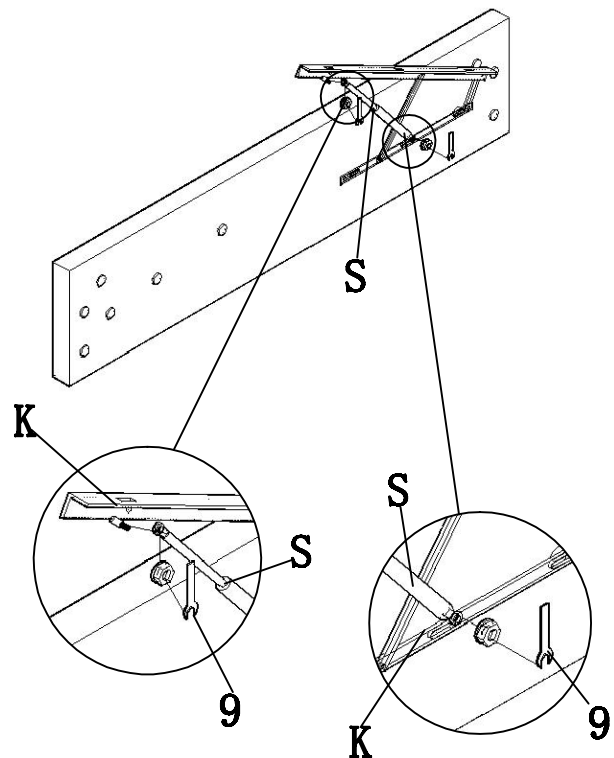
2



3

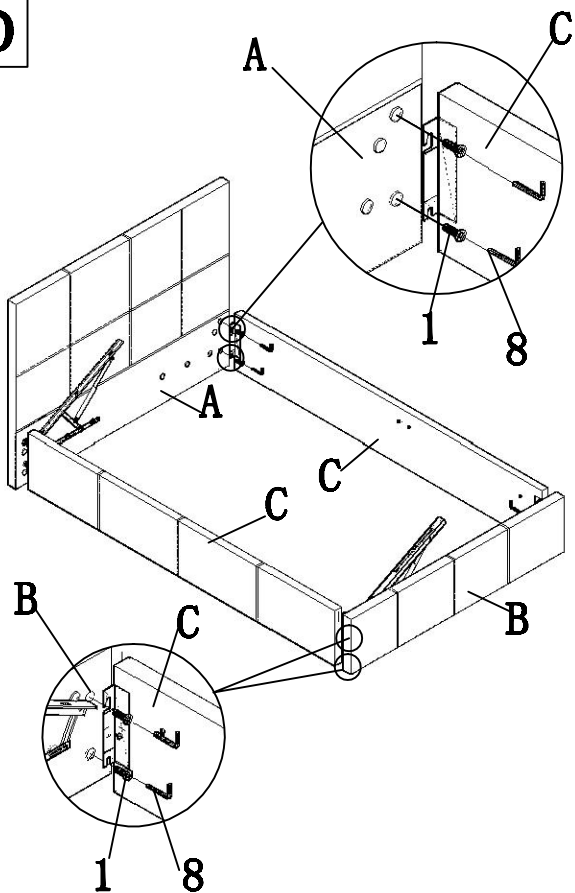


4

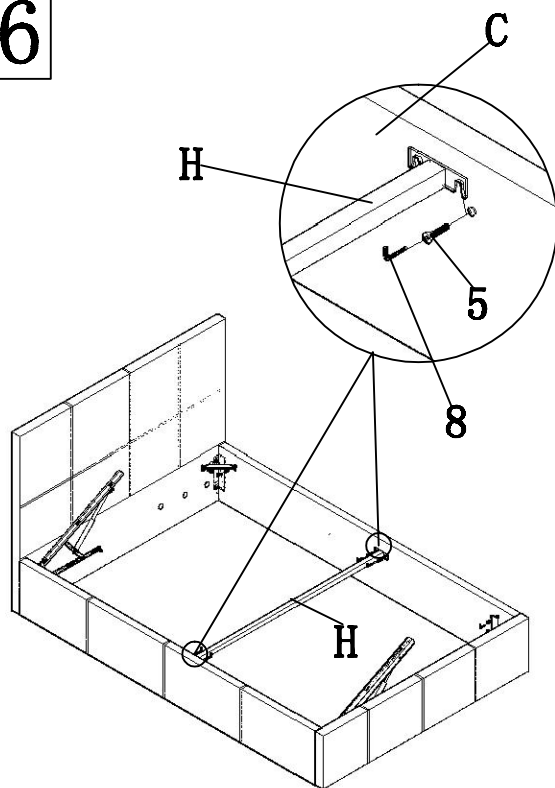


ASSEMBLY INSTRUCTIONS

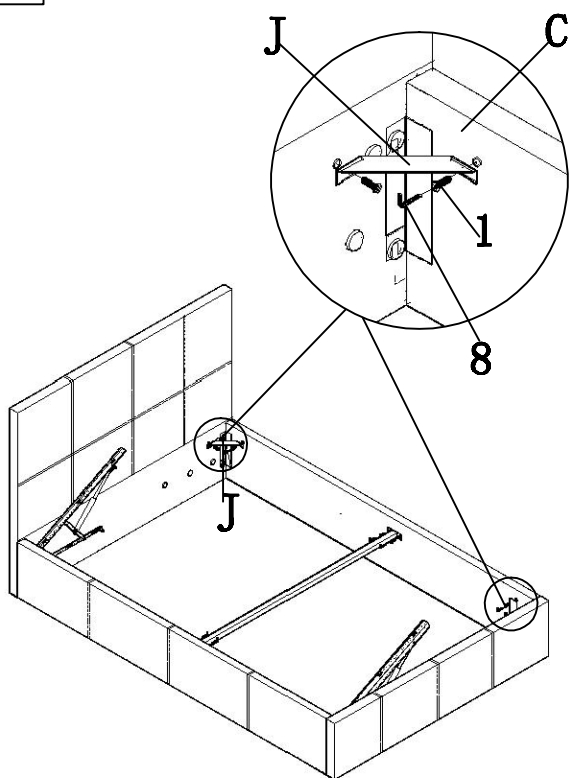
5



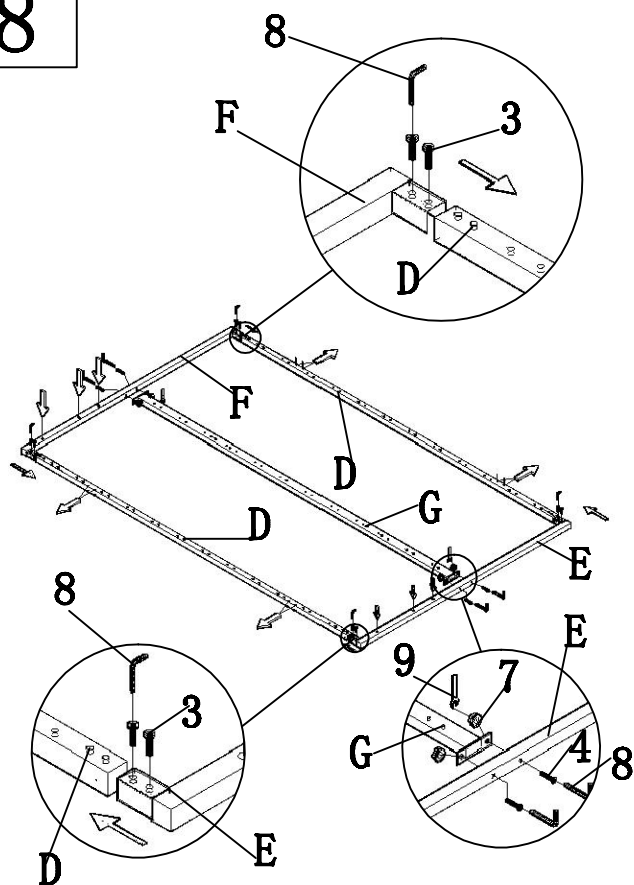
6



7

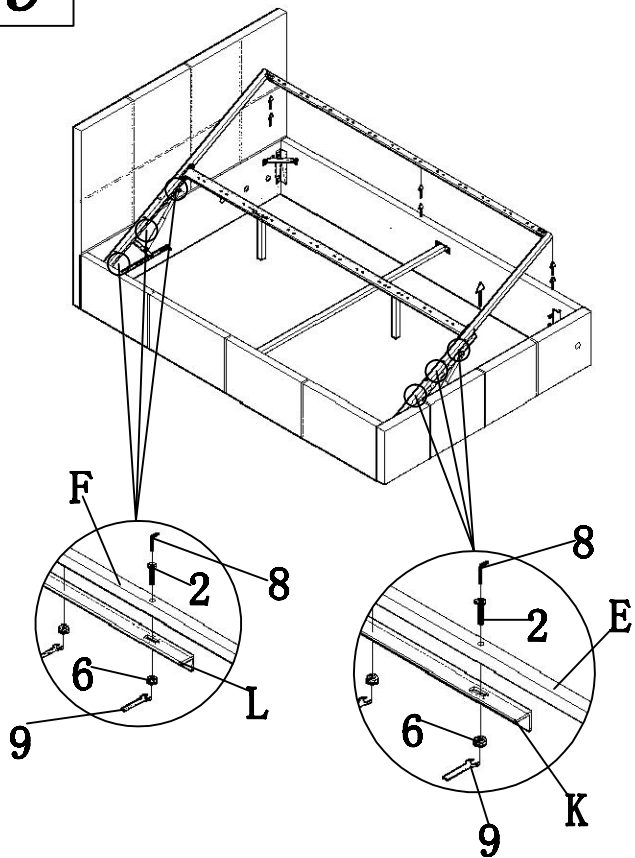


8

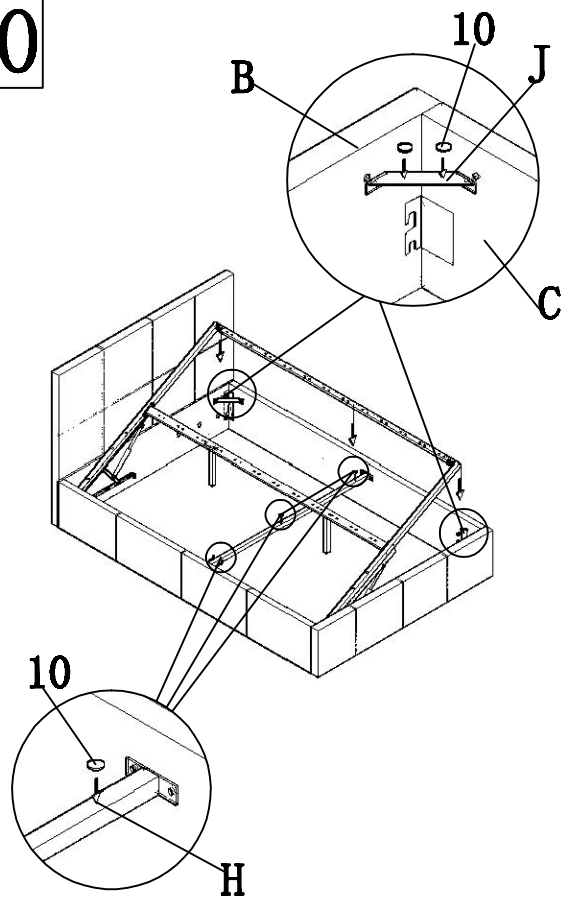


ASSEMBLY INSTRUCTIONS

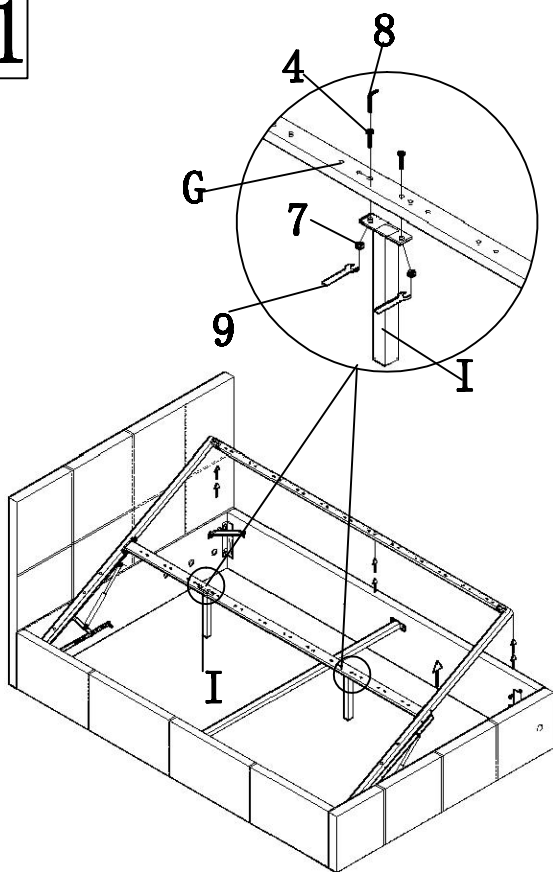
9



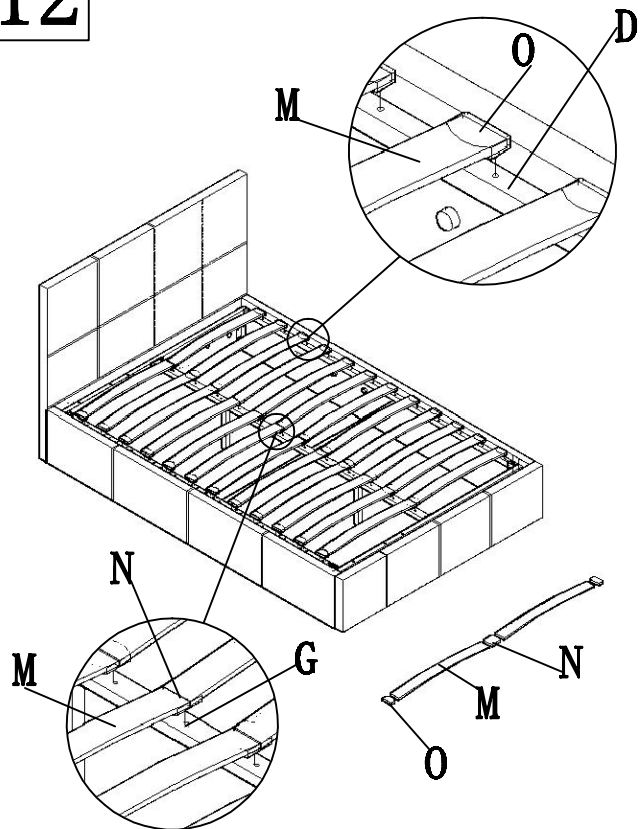
10



11

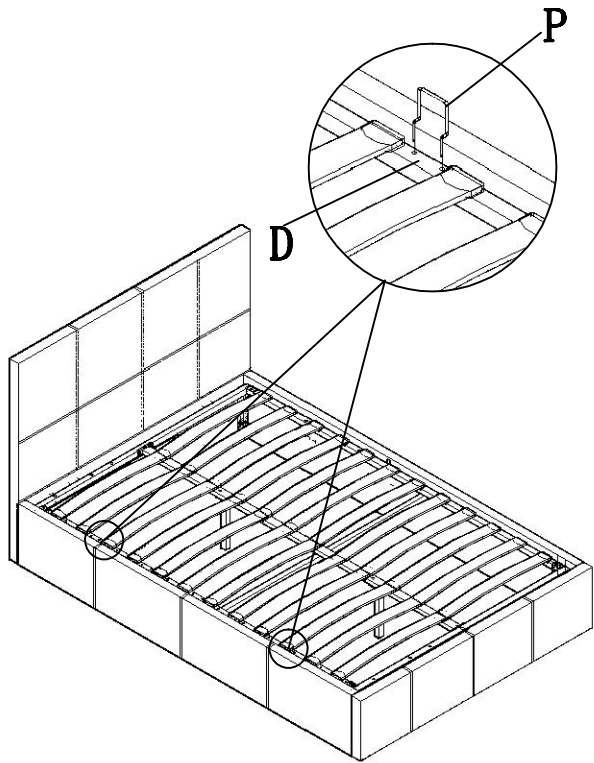


12

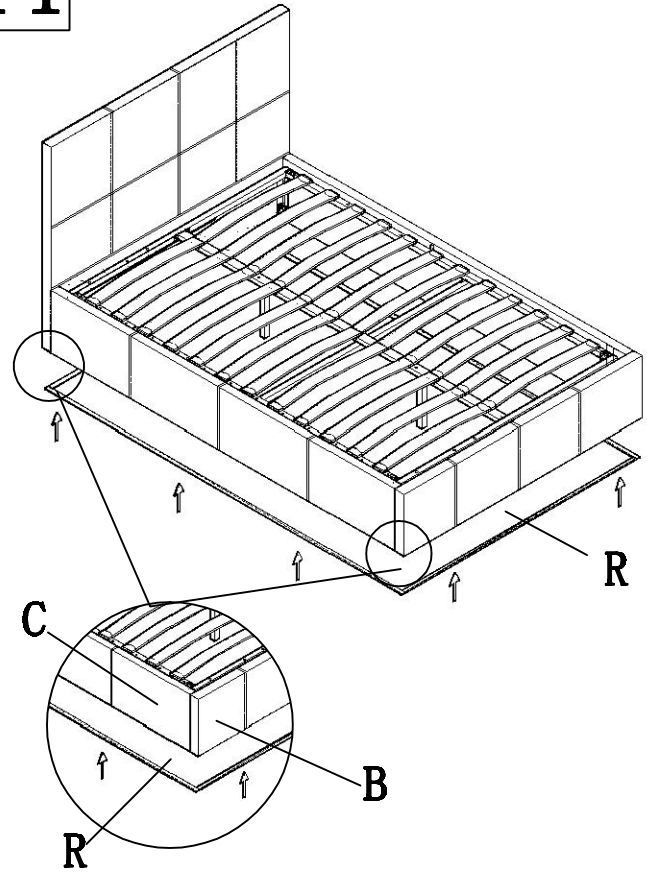


ASSEMBLY INSTRUCTIONS

13



14



15

