

TOOLS REQUIRED:

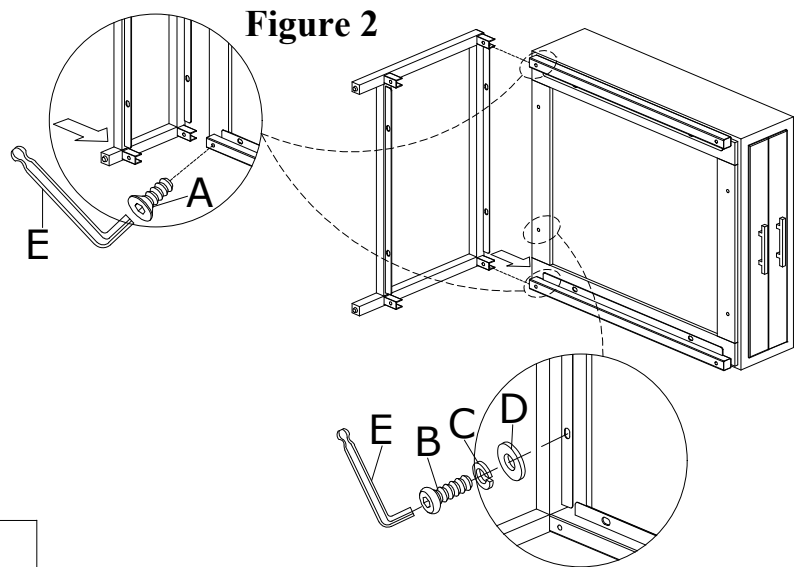
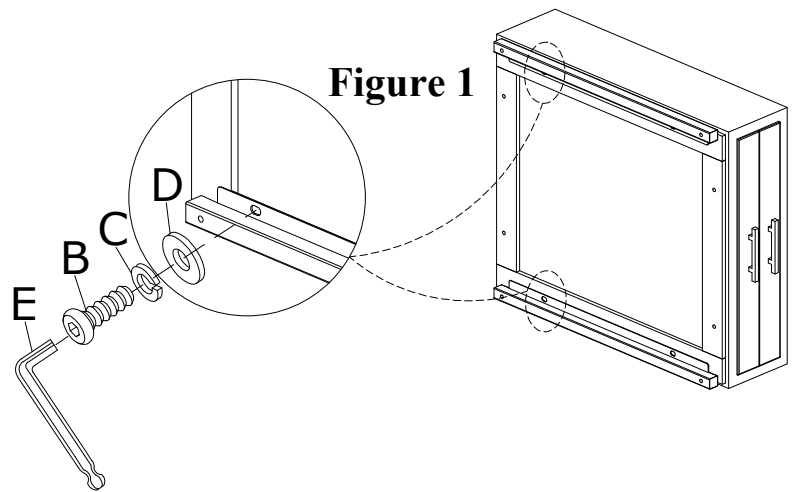
- Allen Wrench (Provided, Part E)
- ScrewDriver (Not Provided)

BEFORE YOU START:

1. Check the parts against the Table list to make sure all items are present.
2. Assemble your furniture on a soft, flat surface to avoid scratching the finish.
3. **CAUTION:** Do not over tighten screws, nuts or bolts during assembly.
4. Your furniture may require occasional tightening.

INSTRUCTIONS:

1. Turn the table upside down on a clean soft surface.
2. Attach Both metal stretcher to the Top frame using Bolt (B), Lock washer (C), Flat washer (D) and with the Allen Wrench (E). As show in Figure 1.
3. Attach the metal leg frame to the Top frame using Countersink Bolt (A)&Bolt (B), Lock washer (C), Flat washer (D)and the Allen Wrench (E). As show in Figure 2
4. Attach the Bottom frame to the metal leg frame using Countersink Bolt (A)&Bolt (B), Lock washer (C), Flat washer (D)and the Allen Wrench (E). As show in Figure 3
5. Repeat step 3,4 for the last leg.As show in Figure 4
- 6.Tighten all bolts before using the table



HARDWARE LIST				
NO.	Drawing	Description	Q'TY	Q'TY
A		Countersink Bolt $\phi 1/4 \times 5/8$ "	8 pcs	8 pcs
B		Bolt $\phi 1/4 \times 3/4$ "	12 pcs	10 pcs
C		Lock Washer $\phi 1/4$ "	12 pcs	10 pcs
D		Flat Washer $\phi 1/4$ "*16mm	12 pcs	10 pcs
E		Allen Wrench 4MM	1 pc	1 pc

