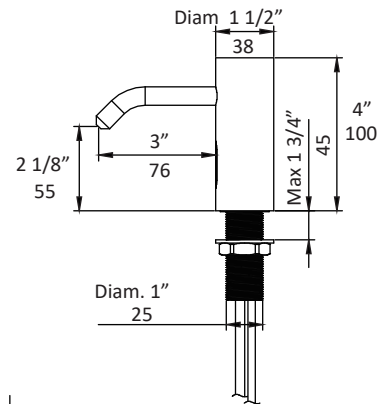


LACAVA

ZOOM deck-mount soap dispenser EX05A

Specifications:

Installation:	deck-mount 1-hole, touch-free
Exterior Dimensions:	H: 4" SPOUT: 5"
Material:	solid brass construction spout
Soap volume discharge:	0.07 oz (2mL)/level (4 levels)
Power supply:	AC/DC
Finishes:	CR - polished chrome PN - polished nickel NI - brushed nickel BG - brushed gold 44 - matte black TN - titanium
Cutout Size:	Ø 1 1/8"
Accessories included:	power adapter, large soap bottle #EXBTL, all supply lines and battery box



Features:

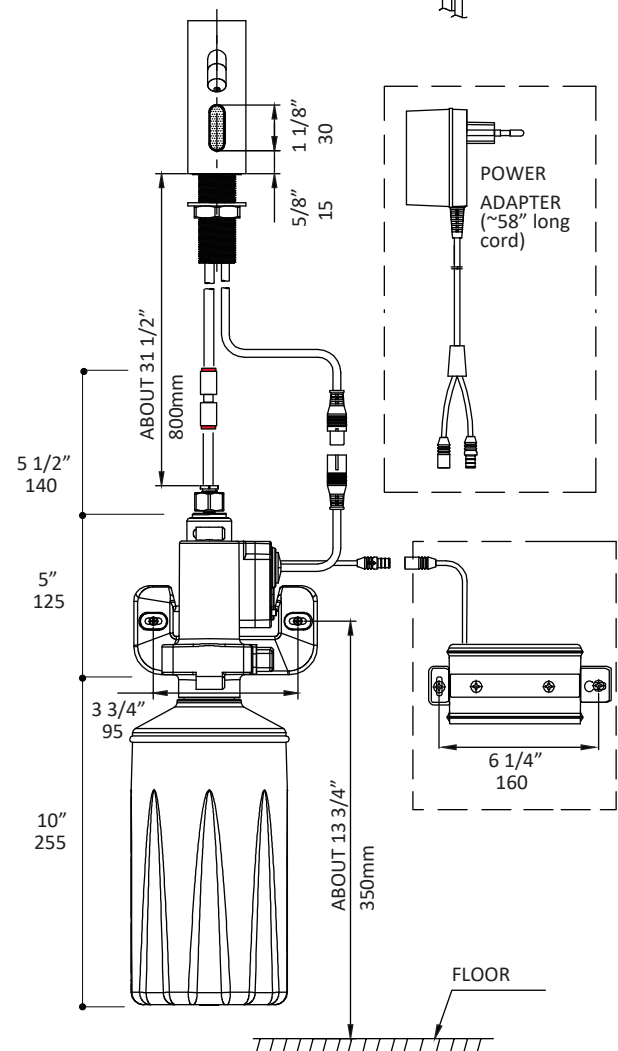
- **Touch-free safety from spreading undesirable pathogens**
- **Commercial grade automated fixture**
- Power supply options:
 - AC - transformer with a plug to electricity and/or
 - DC - battery pack for 4 x D alkaline batteries (batteries not included)
 - on average lasts for 75,000 use cycles
- Plastic refillable bottle with 0.5 gal (1.9 L) capacity
- Optional small bottle .21 gal (.8 L) supplied upon request
 - specify code EXBTS at the time of order
- Liquid soap viscosity: 1000-3500 cps (mpA-s)
- Sensing distance by default: 4" (10cm)
- Sensing range: 2"-12" (5cm - 30cm) can be adjusted at the factory upon request
- Complements the Zoom Collection

Codes + Standards:

ADA compliant when installed to specific requirements of this regulation

Recommended Items:

- Replacement parts:
 - #PUMP2 - replacement pump
 - #4DBATPK - replacement battery pack
 - #EXBTL - replacement large soap bottle, .5 gal
 - #EXBTS - replacement small soap bottle, .21 gal
- #EX10A - matching electronic faucet



LACAVA reserves the right to revise any dimension or information on this sheet without notice. Dimensions are nominal and may vary within an industry accepted tolerance of 1/4". Drawings provided herein are meant to give the user an idea of the product and are not made to scale. Location of plumbing is meant for reference, your specific application may vary.

Revised: 3/26/2021