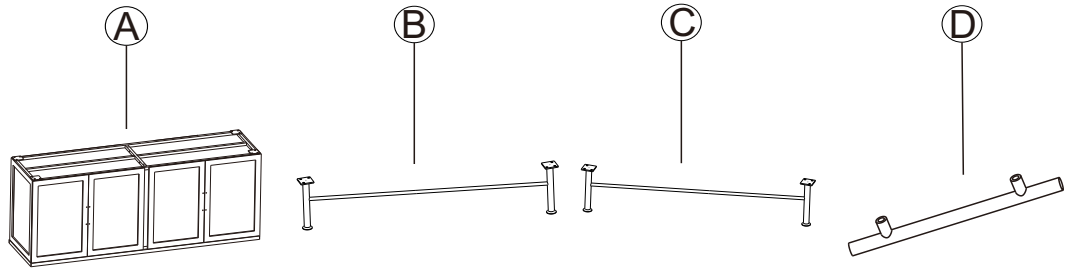


SIDEBOARD ASSEMBLY INSTRUCTIONS

PARTS PACKING CONFIGURATIONS

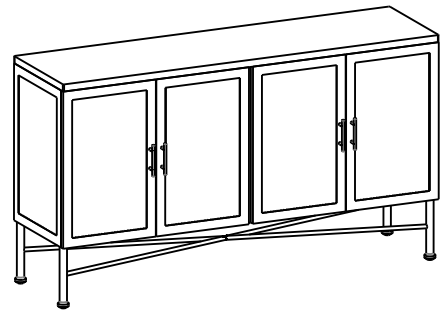
- A. CABINET 1 PC
- B. LEFT LEG 1 PC
- C. RIGHT LEG 1 PC
- D. HANDLE 4 PCS



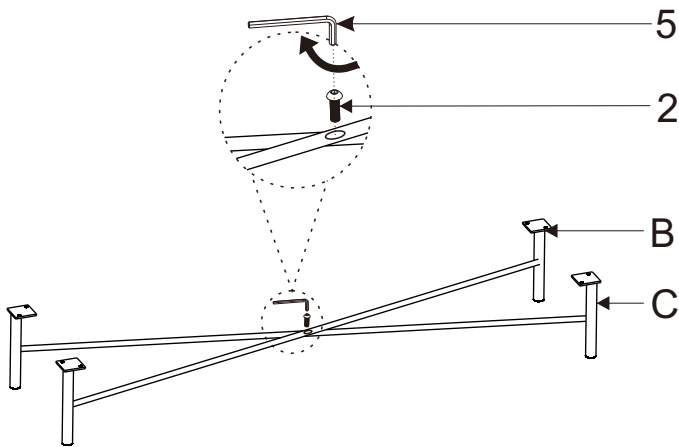
HARDWARE KIT PACKED IN BOX

NO.	DESCRIPTION	IMAGE	Q' TY
1	WASHER(ø16x1.2mm)		8 PCS
2	BOLT(M6x16mm)		9 PCS
3	ALLEN KEY(S2)		1 PC
4	BOLT(M4x16mm)		8 PCS
5	ALLEN KEY(S4)		1 PC
6	SPRING WASHER(ø10x1.5mm)		8 PCS

FULLY ASSEMBLED



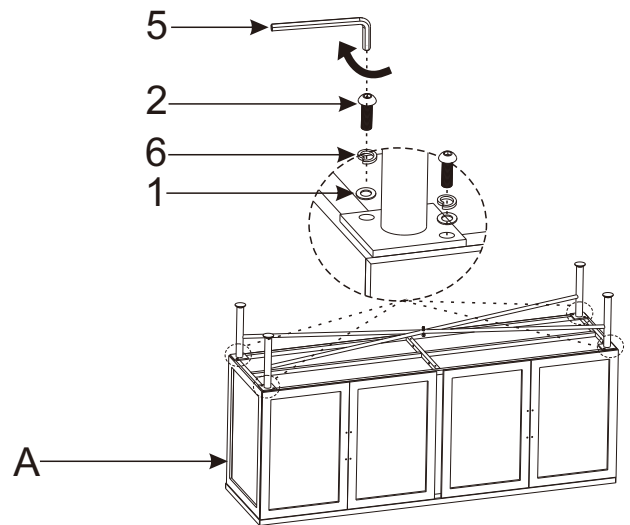
STEP 1:



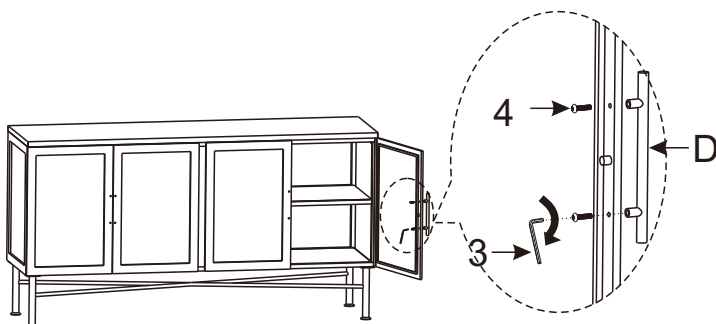
DO NOT TIGHTEN BOLT COMPLETELY

STEP 2:

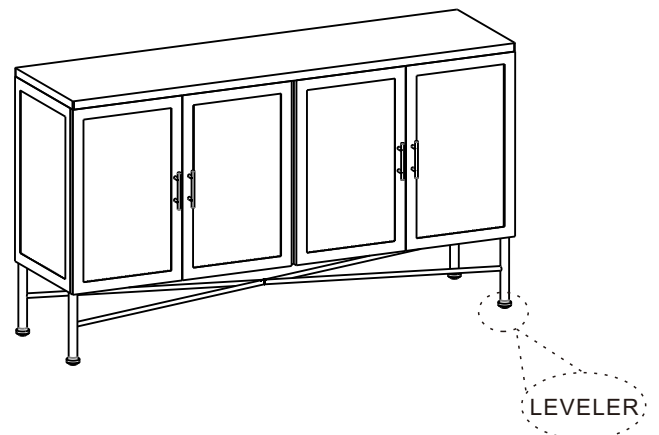
FIRST, PUT ALL BOLTS INTO THE HOLE. THEN TIGHTEN IT COMPLETELY.



STEP 3:



TIGHTEN ALL THE BOLTS COMPLETELY



FULLY ASSEMBLED