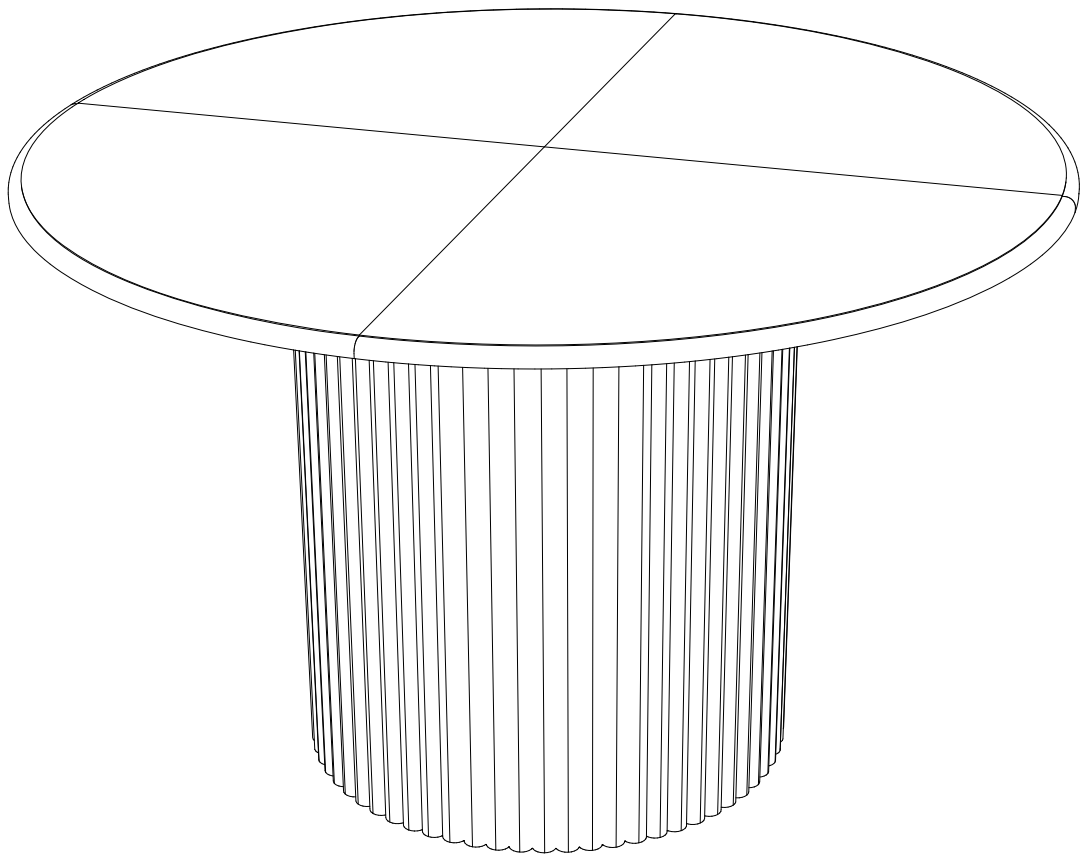


Assembly Instructions



Round Dining Table

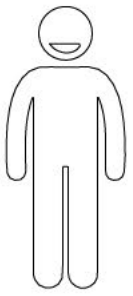
Contact Us

We're here to help you.

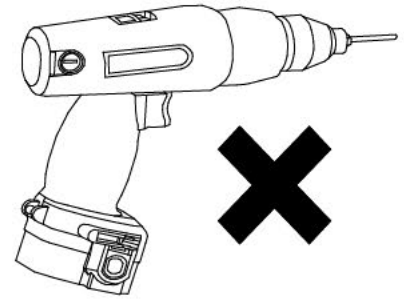
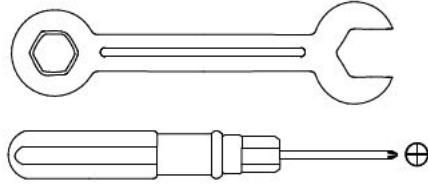
Your satisfaction is our top priority. If you encounter any issues with this product, such as missing or damaged parts, we're here to help. Please retain the original packaging and take photos of the packaging and the product, then contact us as soon as possible.

Warm Tips

1. Carefully read these instructions and keep them for future reference.
2. Check the parts list and confirm everything's there before starting assembly.
3. When assembling, put all parts on a soft, smooth surface like a carpet to avoid scratches.
4. Don't fully tighten screws until all parts are confirmed in place to avoid misalignment.

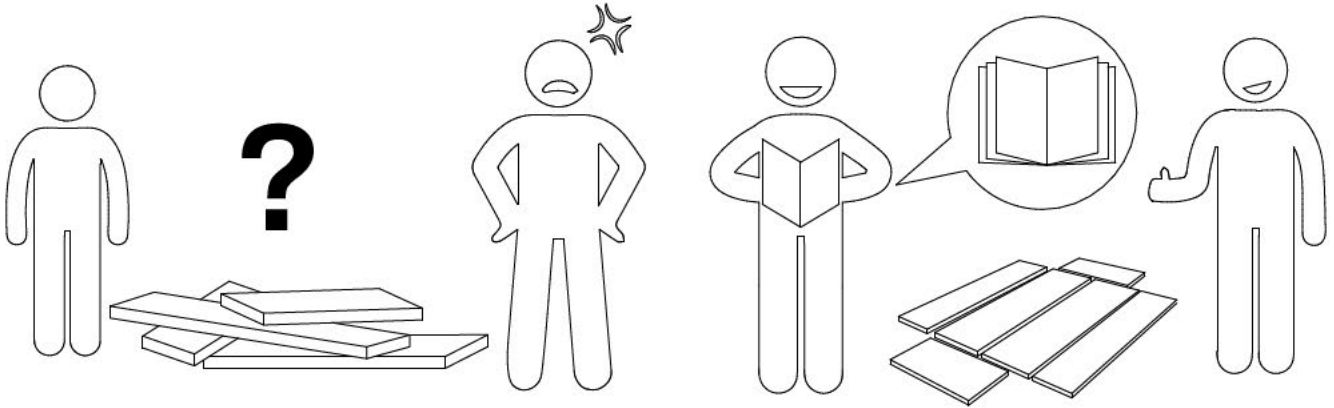


X2



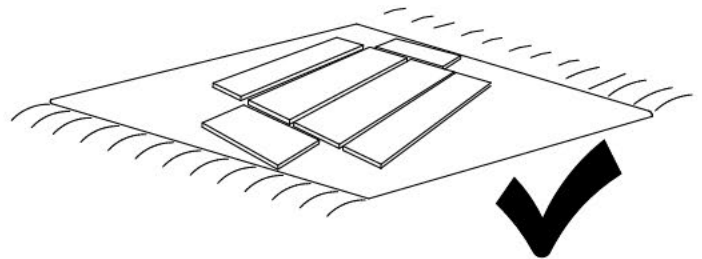
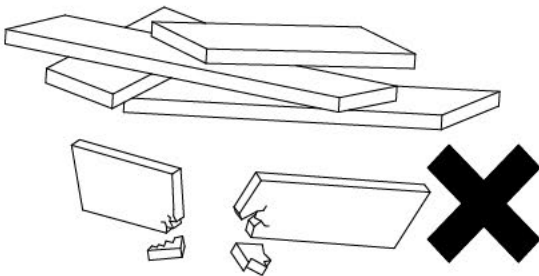
We recommend using hand tools for assembly.

If an electric screwdriver is used, reduce power and torque to avoid damage to the product.



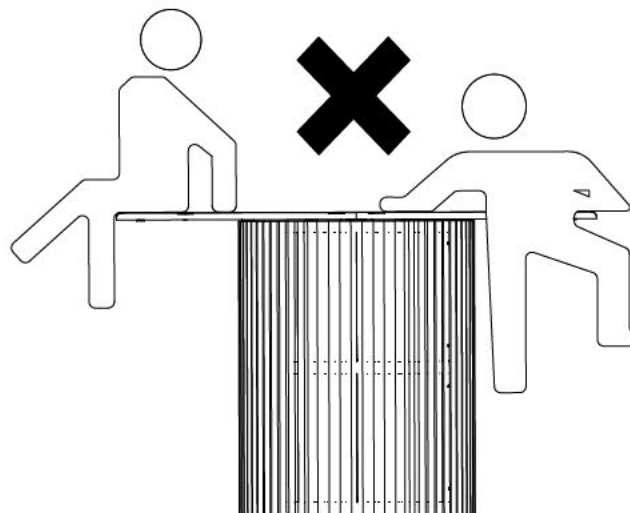
AVOID SCRATCHES

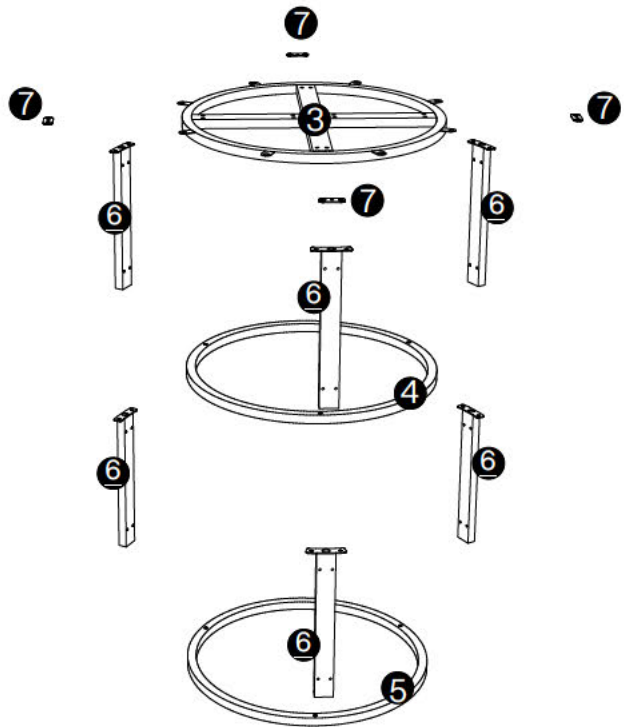
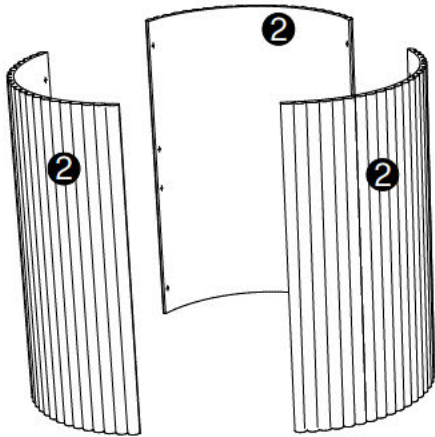
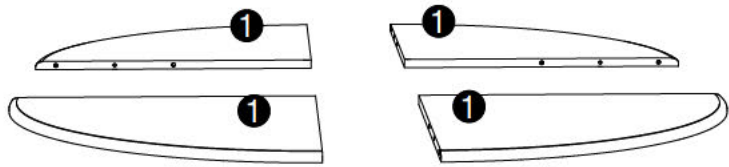
In order to avoid scratching, this furniture should be assembled on a soft surface, such as a rug.



⚠ Caution

Do not sit or put pressure on any single side of the table.

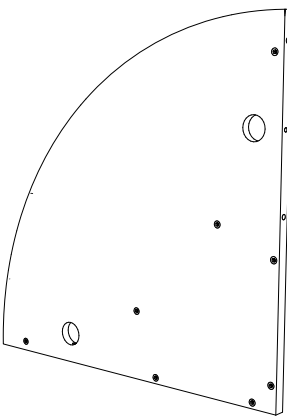
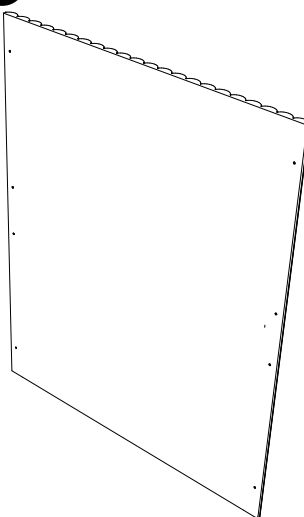
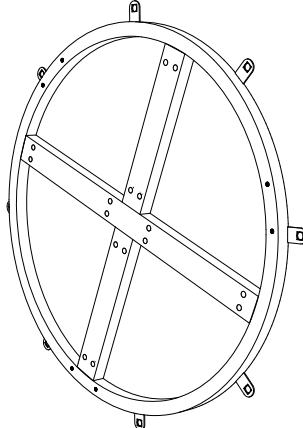
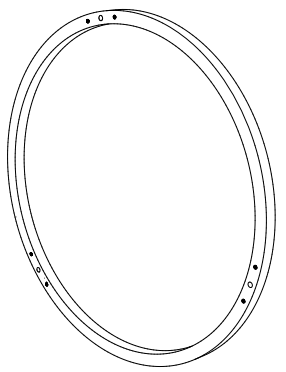
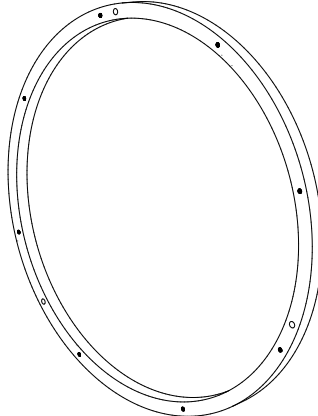
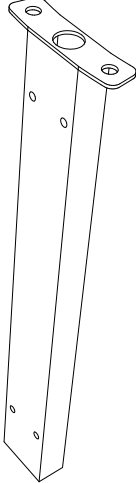







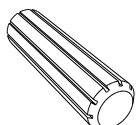
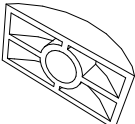
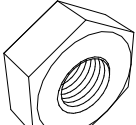
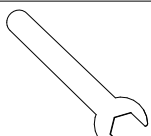

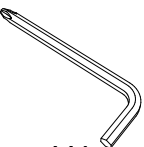
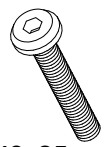
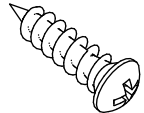
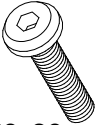
⚠ Caution

Make sure all parts are included. Most board parts are labeled or stamped on the raw edge. Contact us for a free replacement if you encounter any damaged or missing parts.

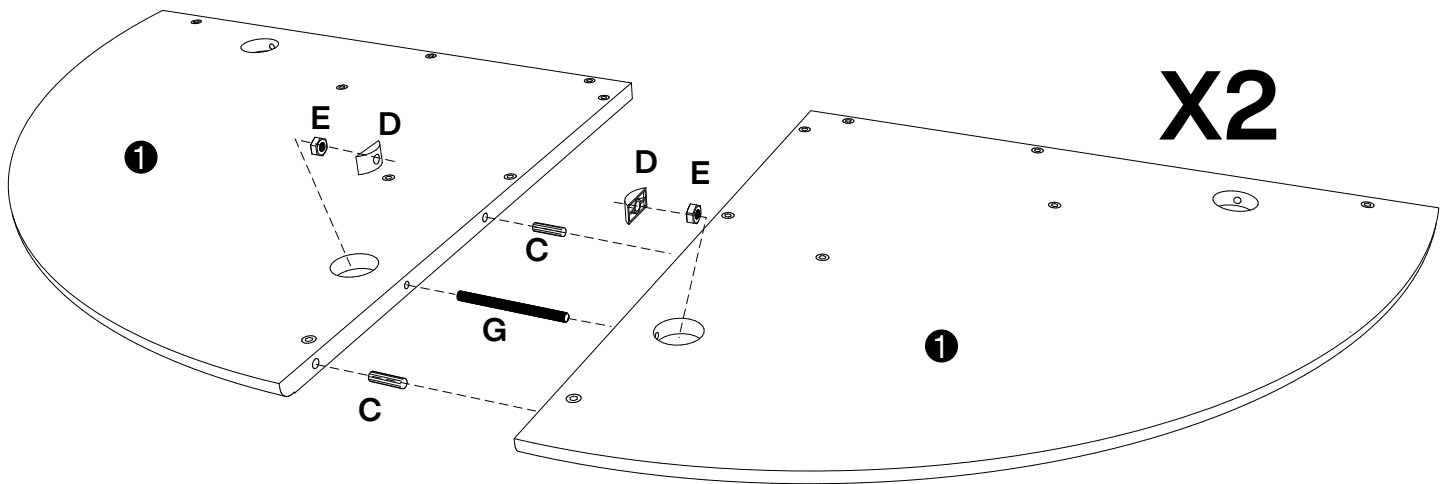
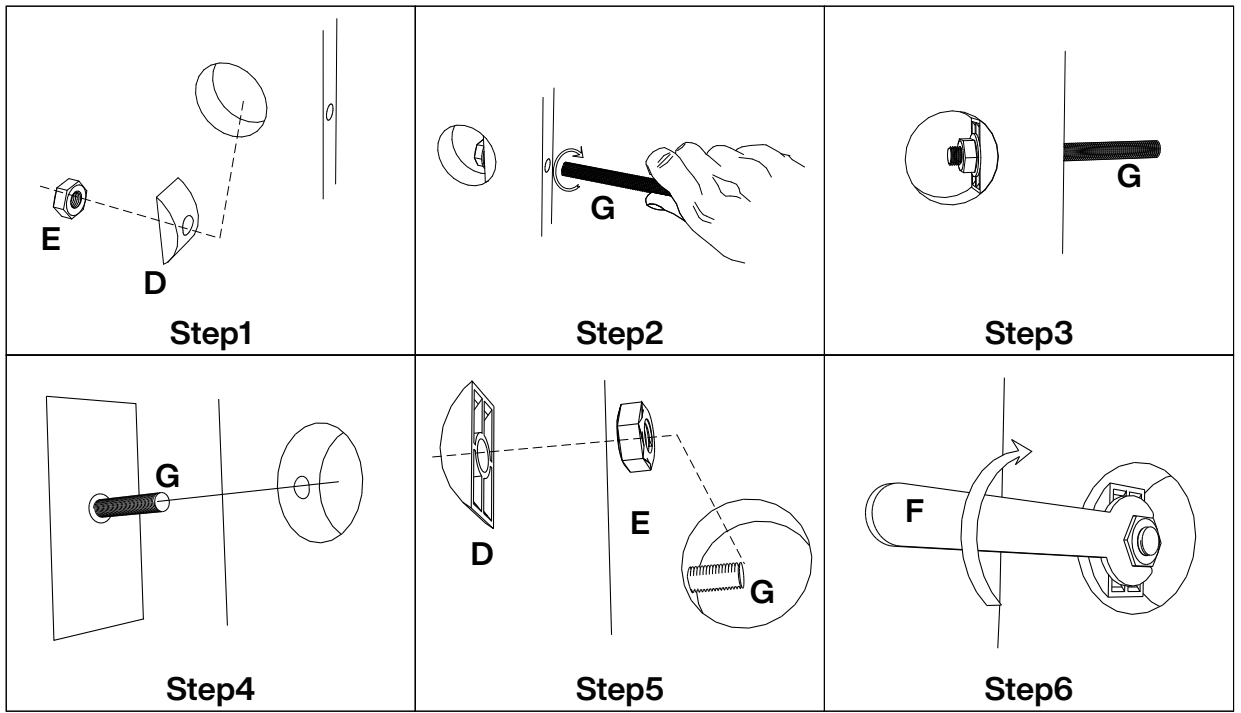
Parts List

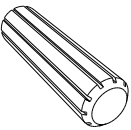
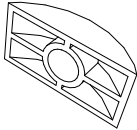
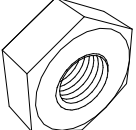

<p>1</p>  <p>4 pcs</p>	<p>2</p>  <p>3 pcs</p>	<p>3</p>  <p>1 pc</p>	<p>4</p>  <p>1 pc</p>
<p>5</p>  <p>1 pc</p>	<p>6</p>  <p>6 pcs</p>	<p>7</p>  <p>4 pcs</p>	

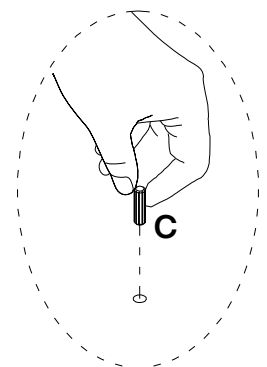
Hardware List

<p>A</p>  <p>M6x15mm</p>	<p>B</p>  <p>Ø15x12mm</p>	<p>C</p>  <p>Ø8x30mm</p>	<p>D</p> 	<p>E</p>  <p>M6</p>	<p>F</p>  <p>M10</p>	<p>G</p>  <p>M6x100mm</p>
<p>8 pcs</p>	<p>29 pcs</p>	<p>9 pcs</p>	<p>9 pcs</p>	<p>9 pcs</p>	<p>2 pcs</p>	<p>4 pcs</p>
<p>I</p>  <p>M4</p>	<p>J</p>  <p>M6x35mm</p>	<p>K</p> 	<p>L</p>  <p>M6x30mm</p>			
<p>1 pc</p>	<p>6 pcs</p>	<p>25 pcs</p>	<p>17 pcs</p>			

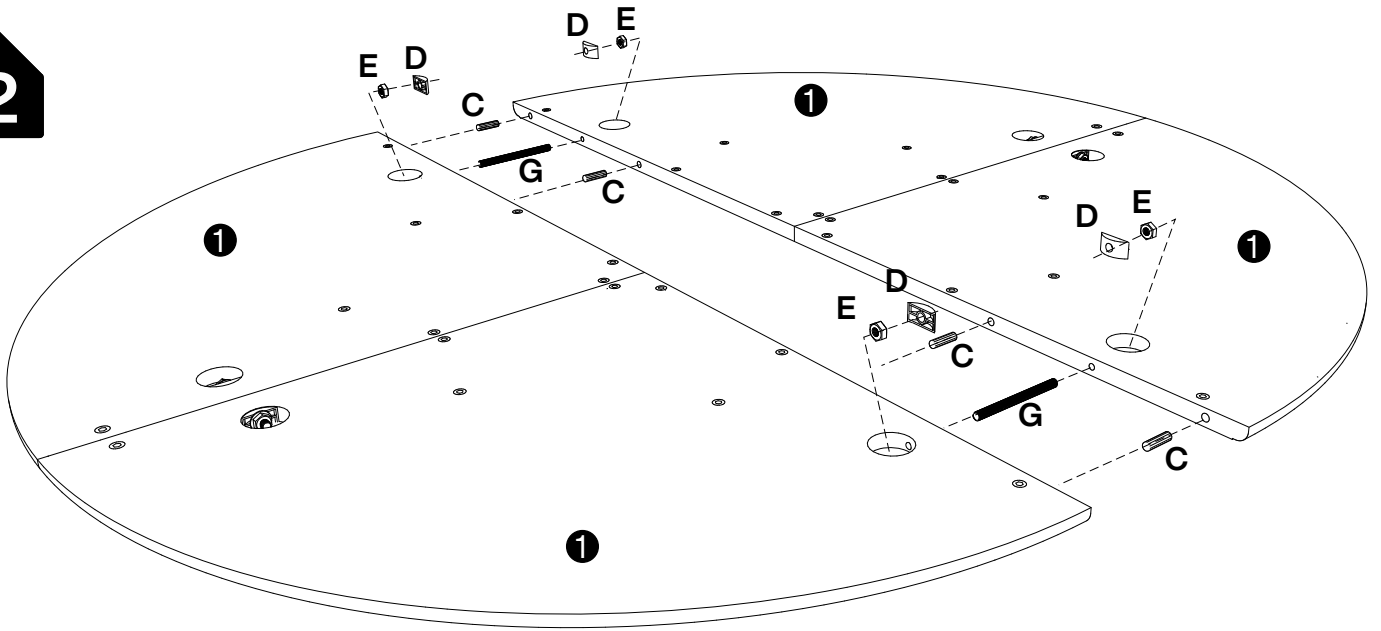
1

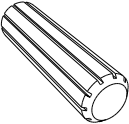
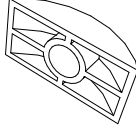
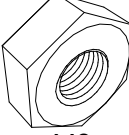



C	D	E	G
			
Ø8x30mm		M6	M6x100mm
4 pcs	4 pcs	4 pcs	2 pcs

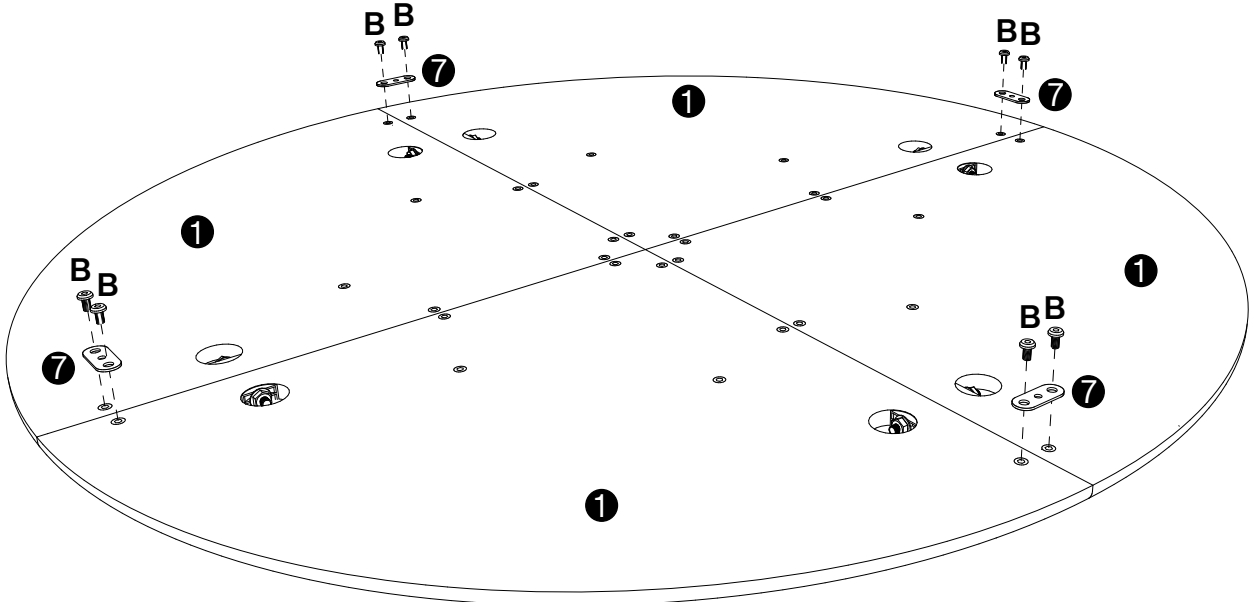


2



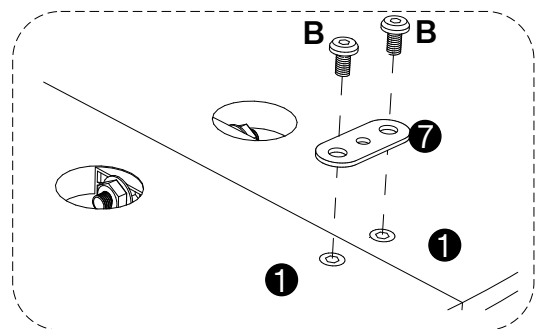
C	D	E	G
			
Ø8x30mm		M6	M6x100mm
4 pcs	4 pcs	4 pcs	2 pcs

3

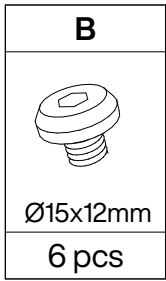
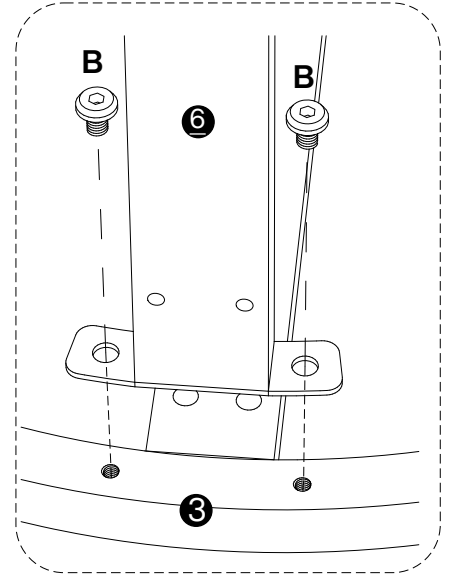
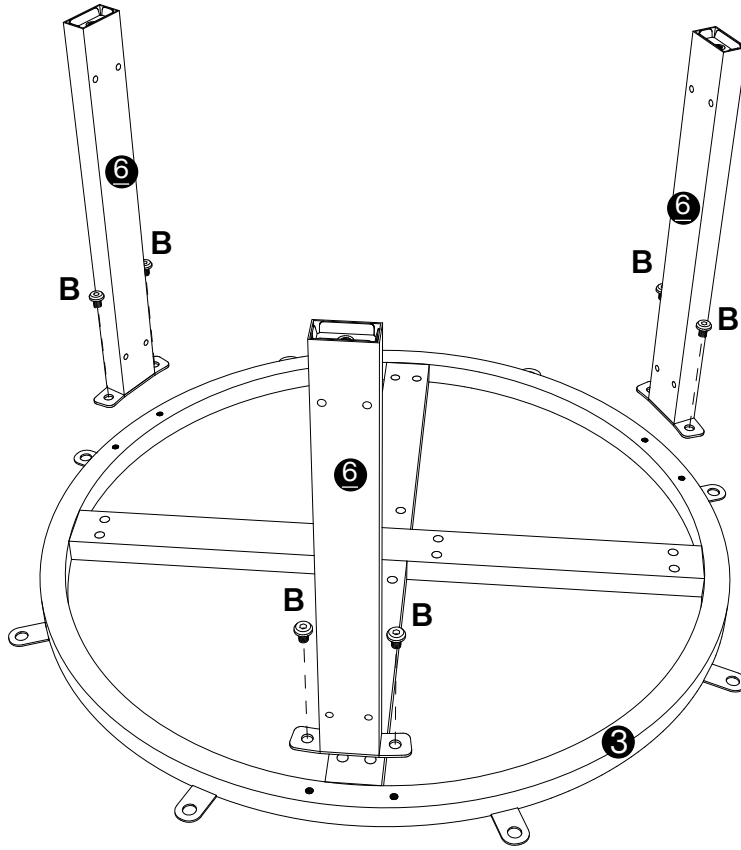


B

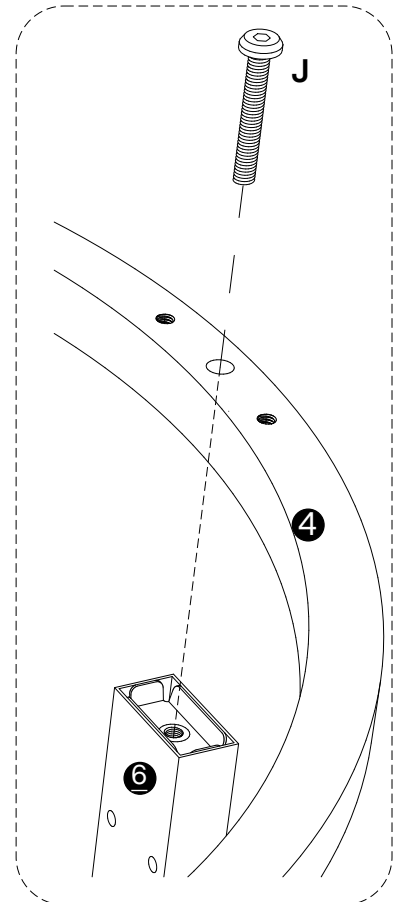
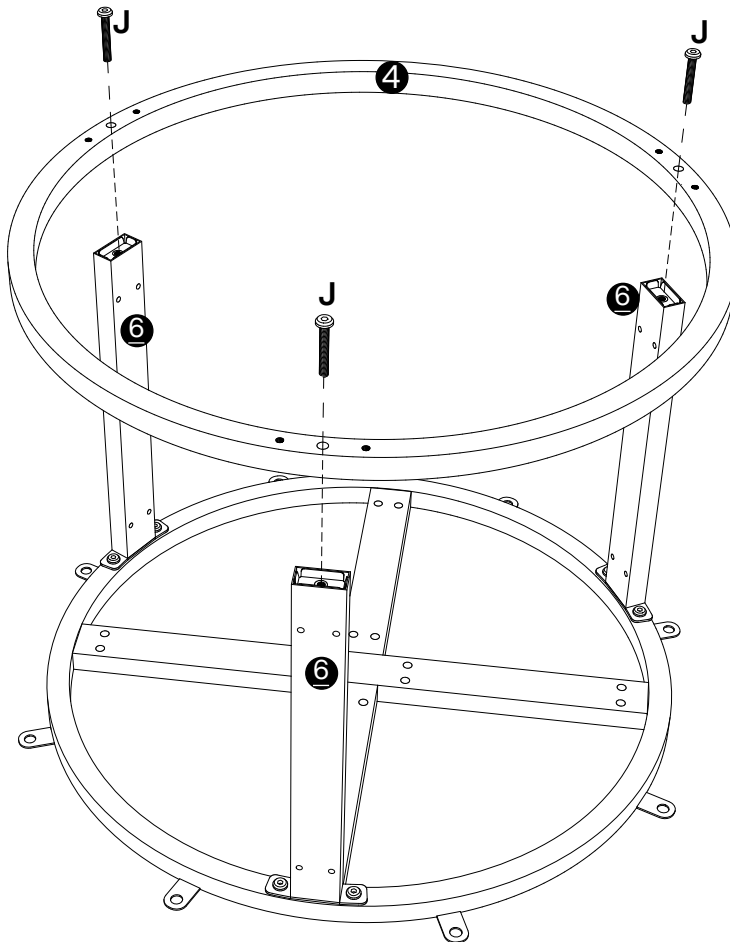
Ø15x12mm
8 pcs



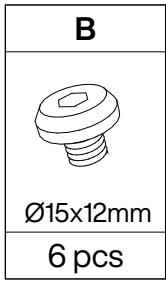
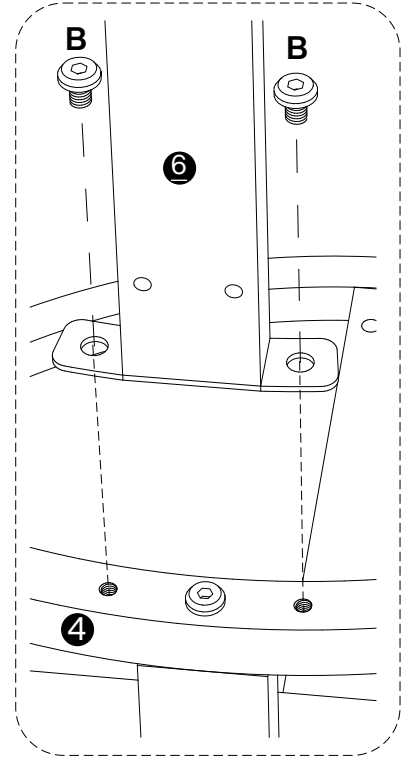
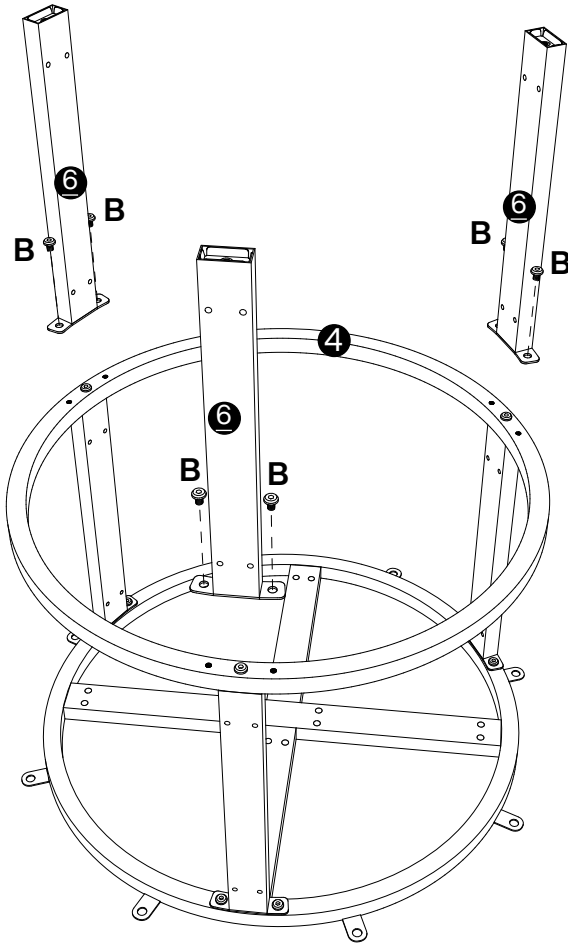
4



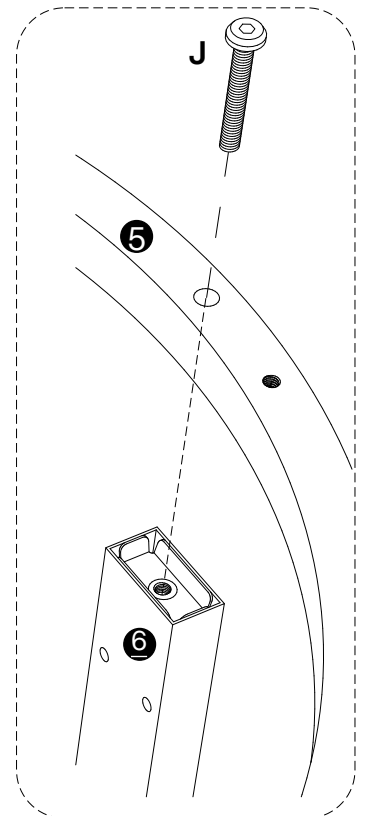
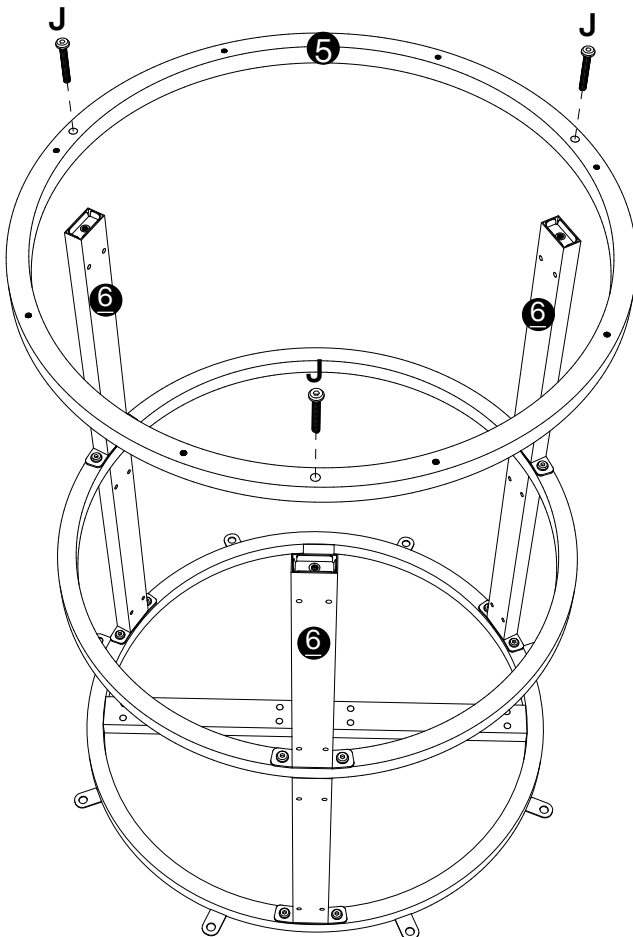
5



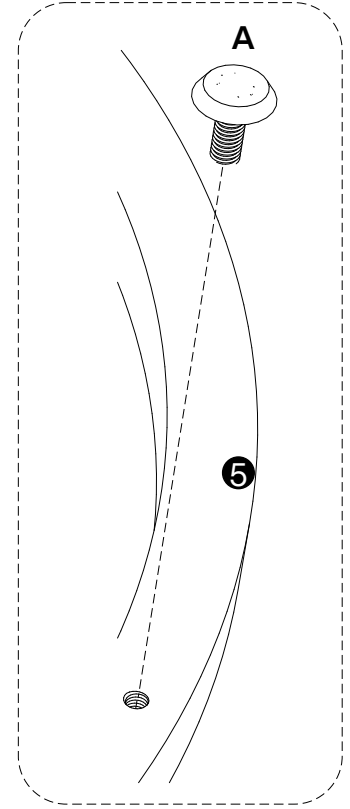
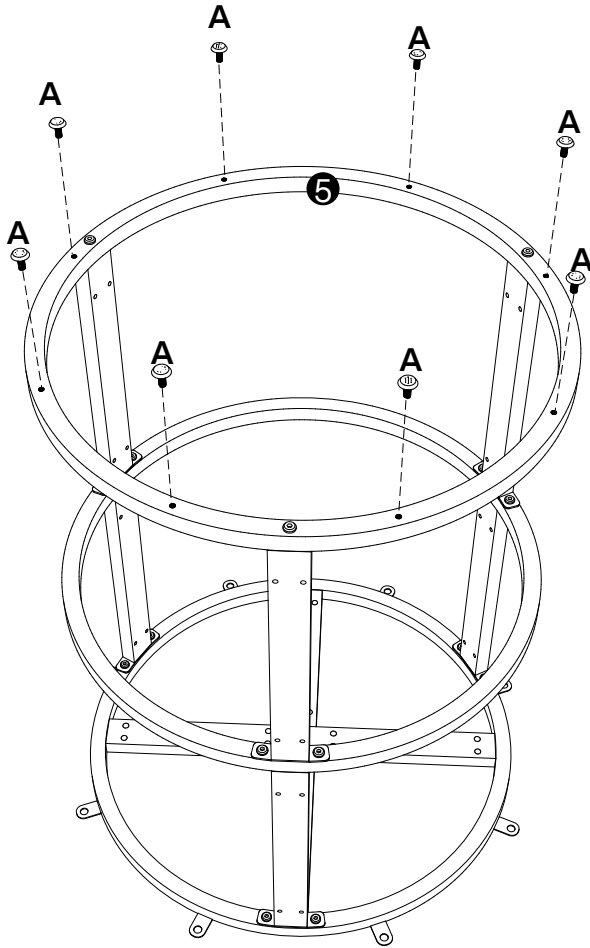
6




7

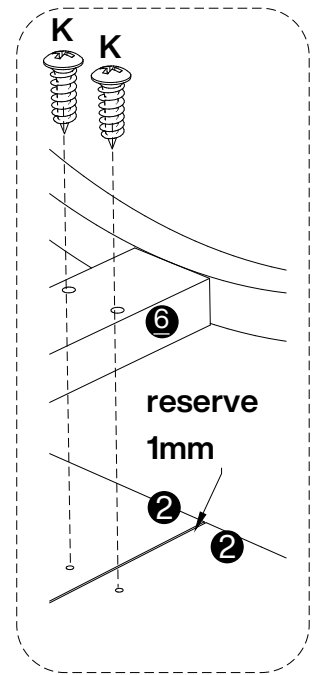
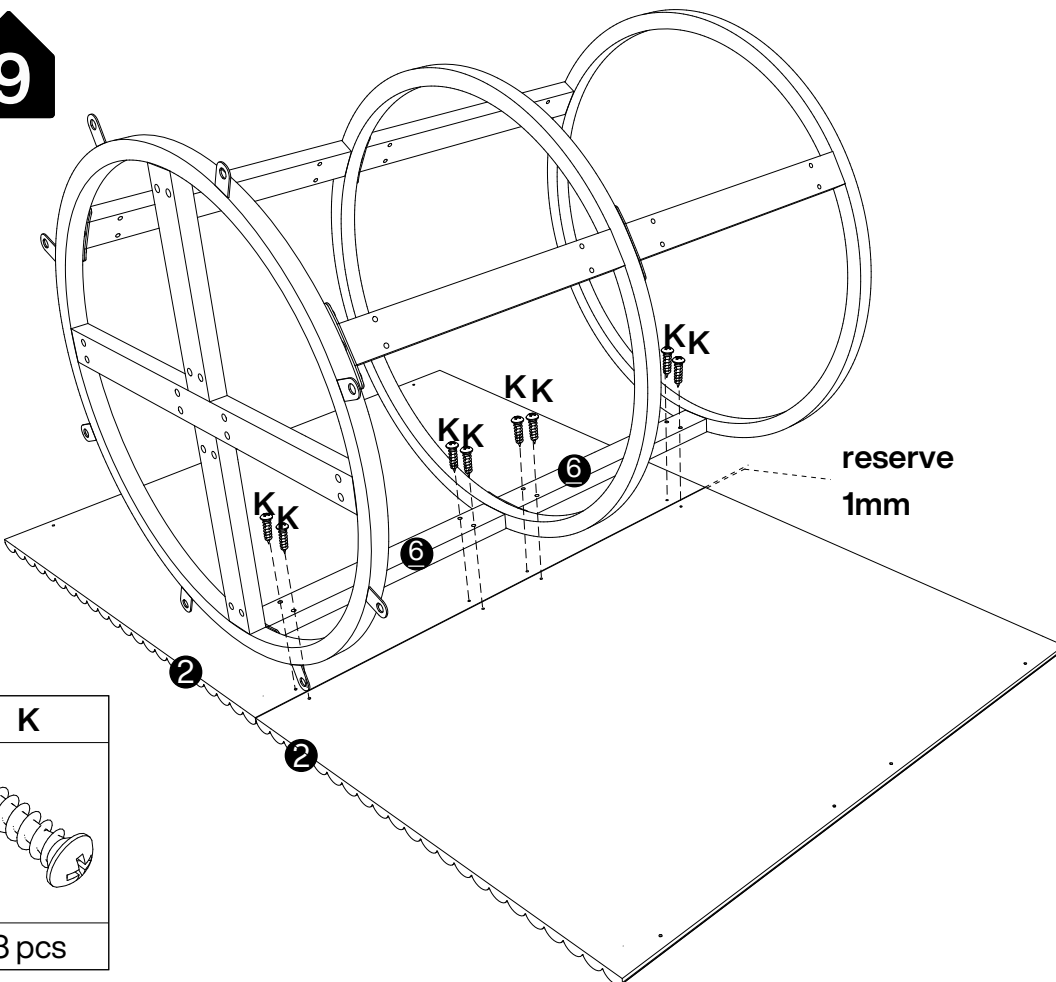


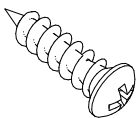
8



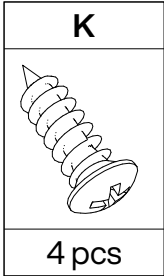
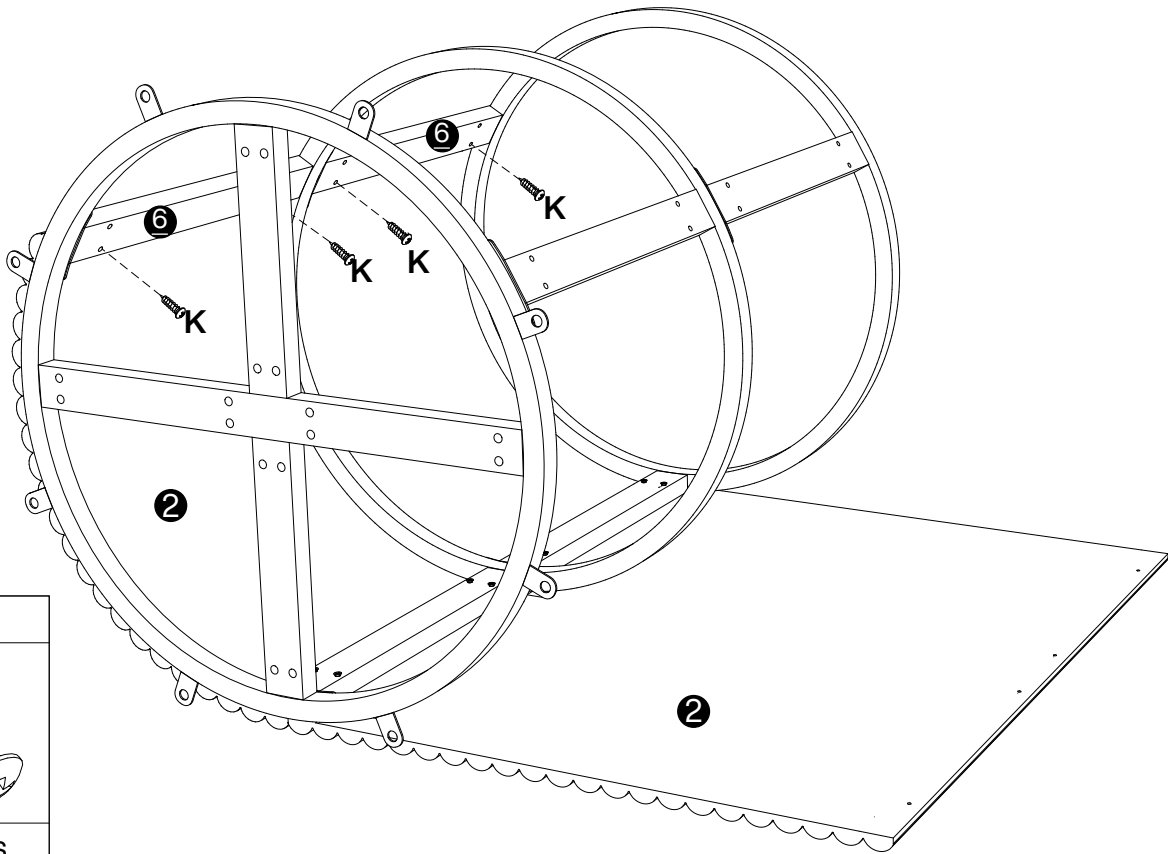
A

M6x15mm
8 pcs

9

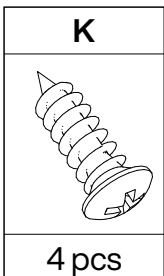
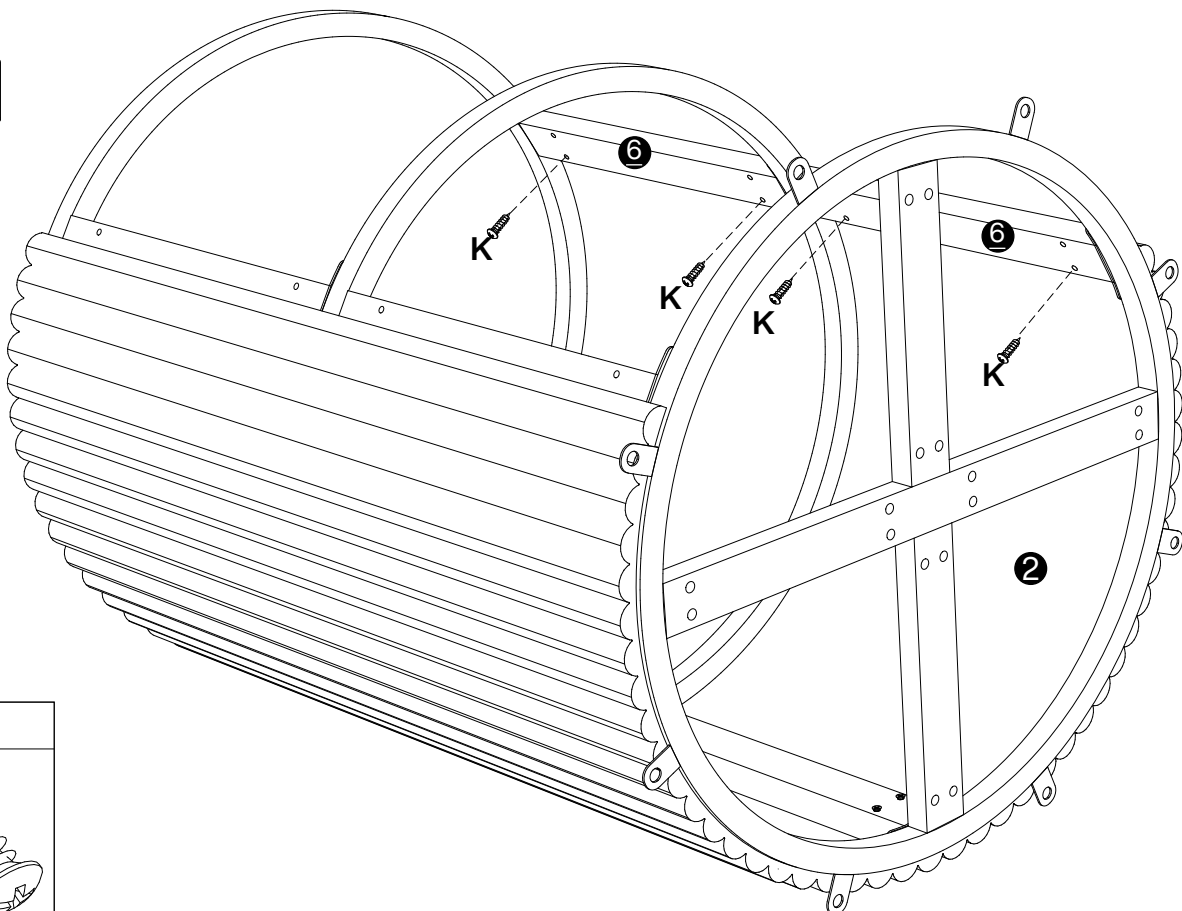


K

8 pcs

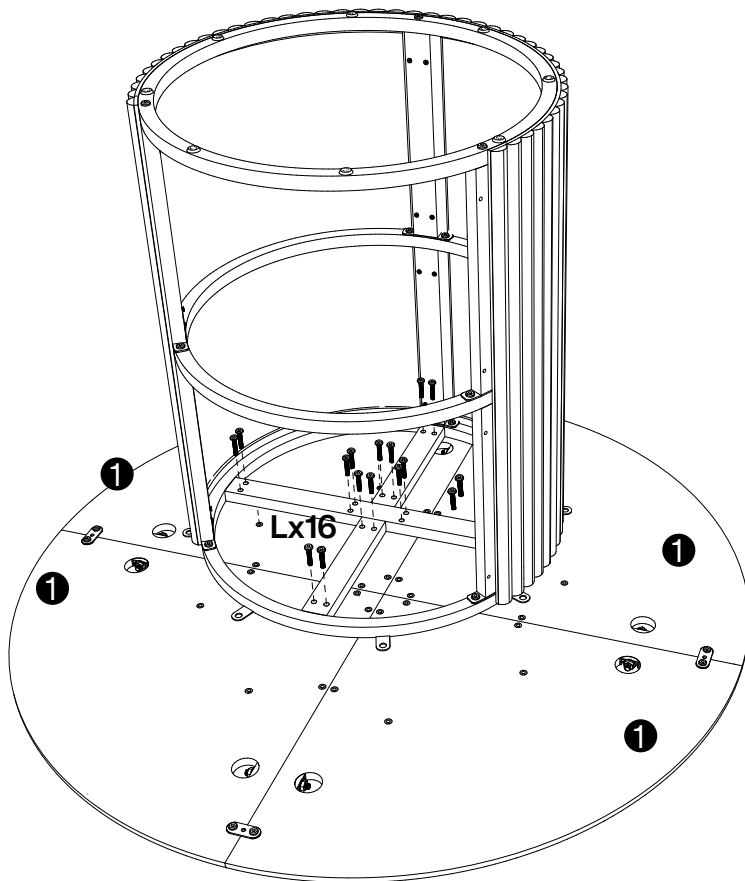
10



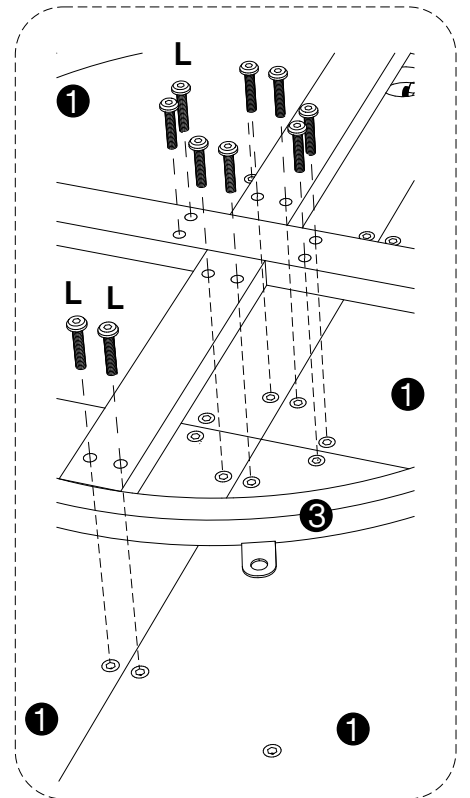
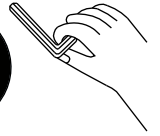
11

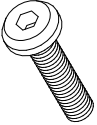


12

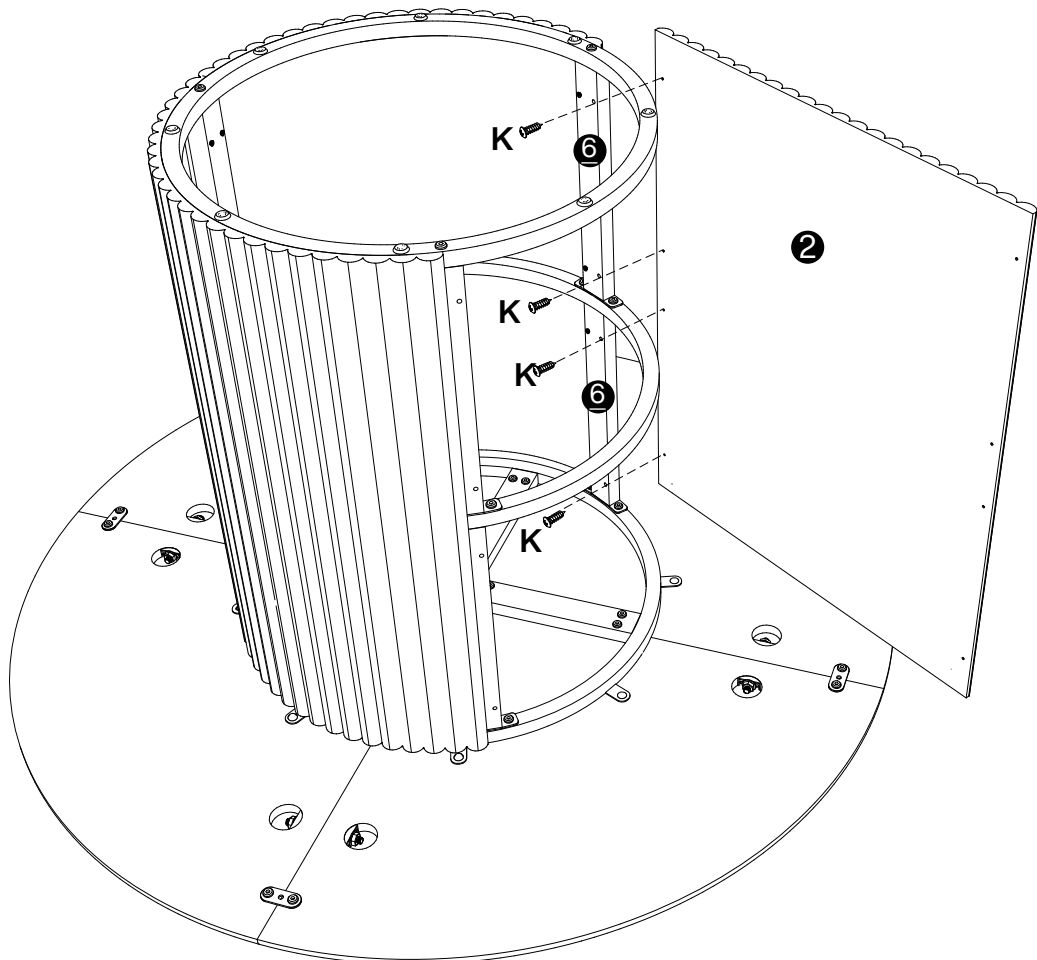



pre-drill
70%



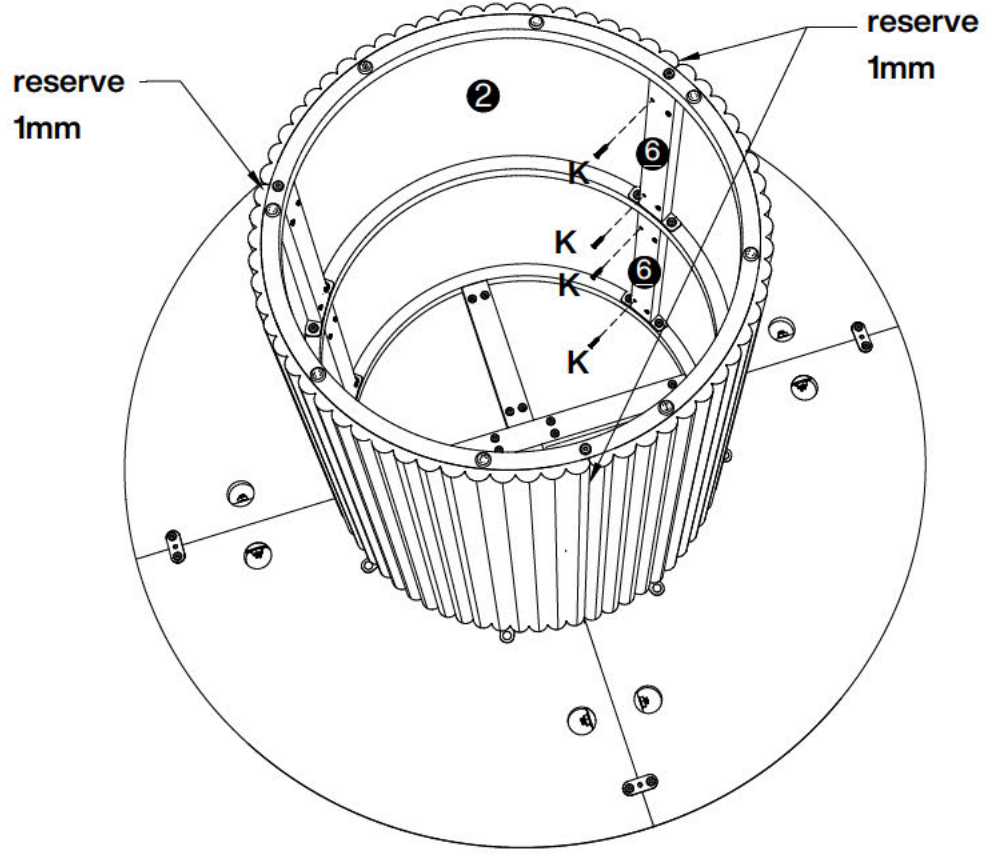
L

M6x30mm
16 pcs


13



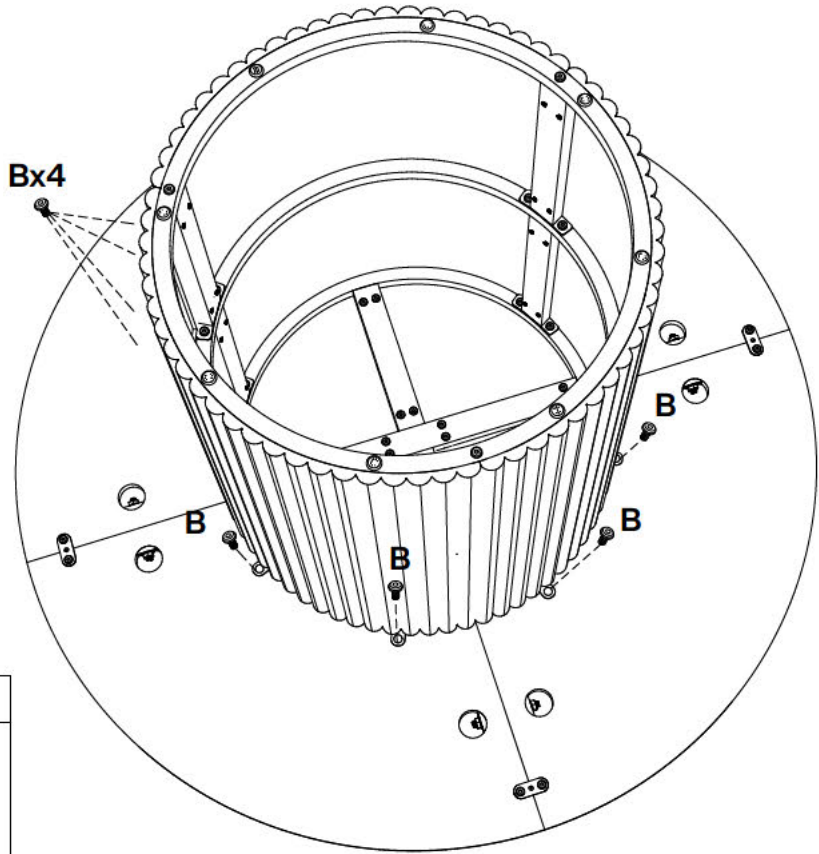
K

4 pcs

14



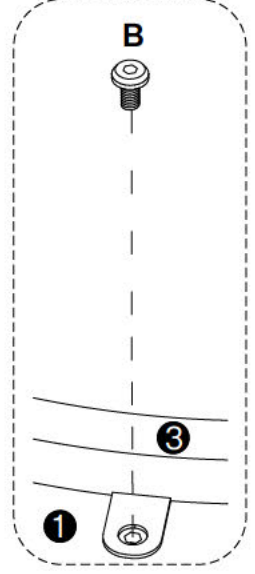
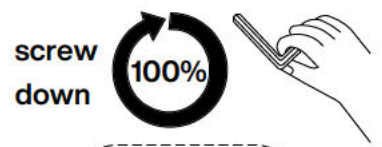
K

4 pcs

15

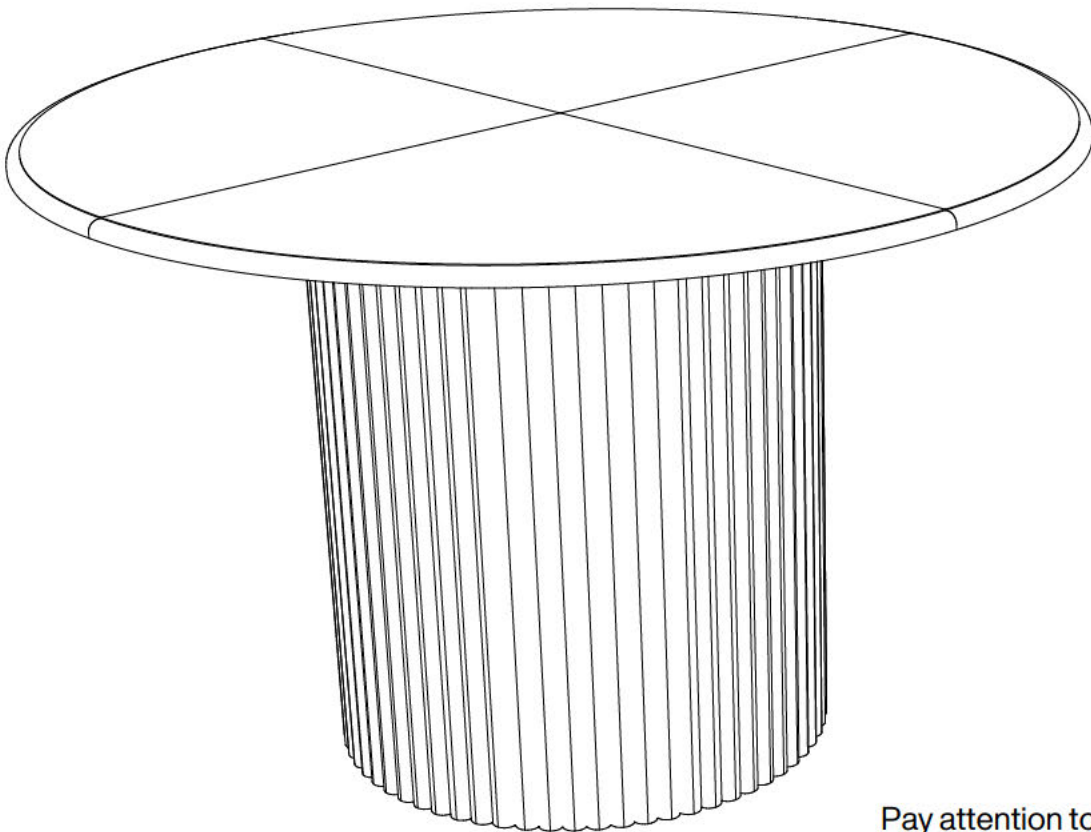


B

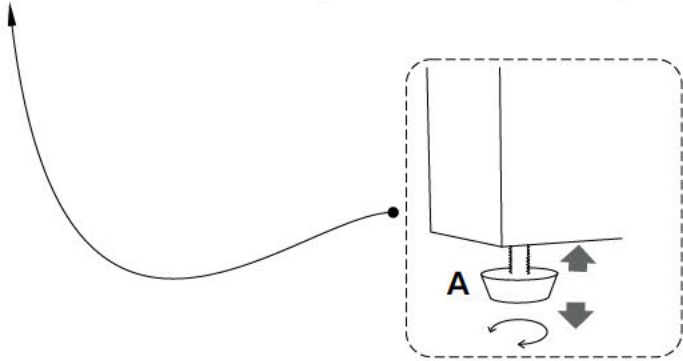
Ø15x12mm
8 pcs



▲ Screw M6x12mm



Pay attention to the hole position



Thank you for your support!

