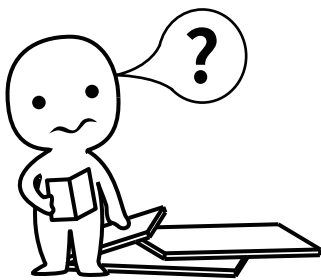


# **INSTALLATION**

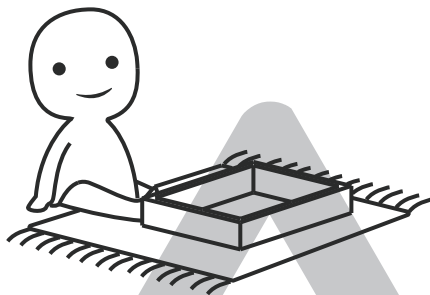
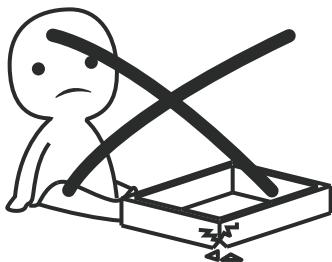
## *Product Manual*

Version: KF020551US-01-25A-AA



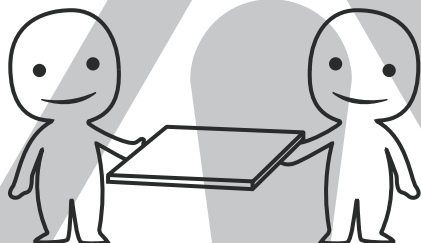
### **IMPORTANT INFORMATION!**

please read the entire manual before starting to assemble and/or using this product. follow the manual thoroughly and keep it for further reference.



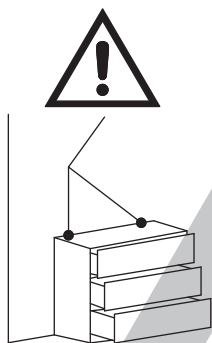
### **AVOID SCRATCHES!**

In order to avoid scratching this furniture should be assembled on a soft layer - could be a rug.



### **IMPROVE EFFICIENCY !**

Try to find a partner to install with you, which can speed up the installation efficiency and shorten the time.



### **ANTI-TOPPLE WARNING !**

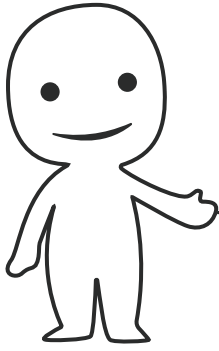
Overturnd furniture can cause serious or fatal crush injuries. To prevent tipping over, be sure to use the wall attachment, if not included with this product. Please purchase the wall attachment that fit your wall. If unsure, seek professional advice. Please read and follow each step of the instructions carefully.

### **IMPORTANT !**

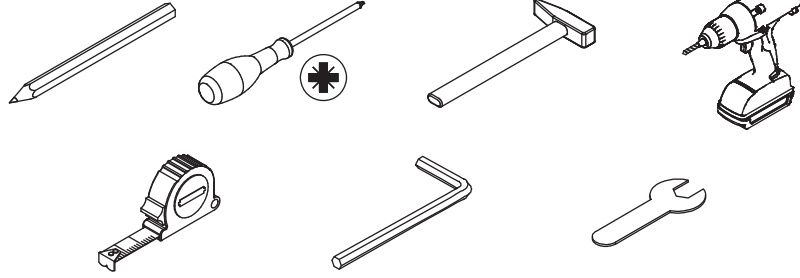
It is important that any product which is assembled using any kind of screw is re-tightened 2 weeks after assembly, and once every 3 months - in order to assure stability through-out the lifespan of the product.

For regular maintenance and cleaning of the product, for the frame, please use a rag dipped in neutral detergent to fully wipe it, and then dry it with a clean rag. For glass materials, wipe with a rag dampened with water glass cleaner, and then dry with a dry rag.

Do not use an electric screwdriver, and do not use too much force when installing, because the board is easy to break.

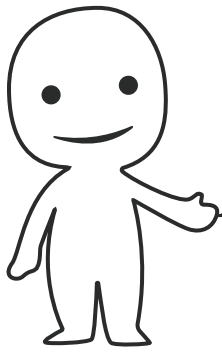


Please prepare the following tools

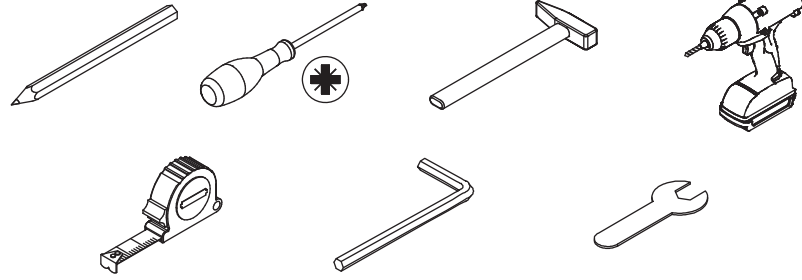


When installing, please carefully confirm whether each screw corresponds to the manual, accessories with similar shapes can be distinguished by size

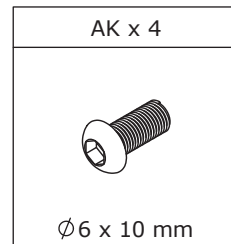
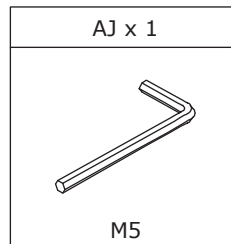
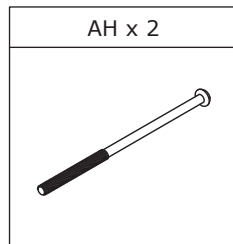
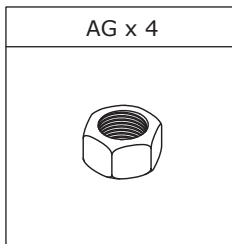
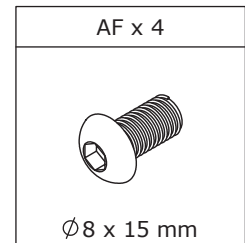
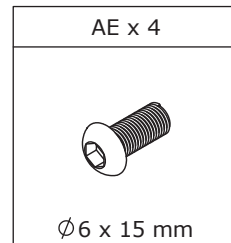
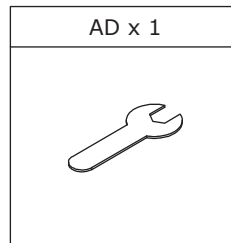
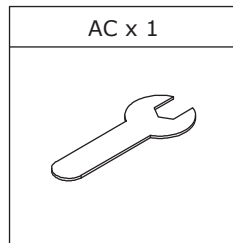
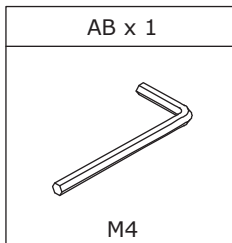
<p>A x 64</p> <p>Ø15 x 10 mm</p>	<p>B x 64</p> <p>Ø6 x 35 mm</p>	<p>C x 64</p>	<p>D x 49</p> <p>Ø5 x 40 mm</p>	<p>E x 2</p>
<p>F x 35</p> <p>Ø6 x 30 mm</p>	<p>G x 9</p>	<p>H x 18</p> <p>Ø4 x 8 mm</p>	<p>J x 9</p> <p>300 mm</p>	<p>K x 18</p> <p>Ø6 x 12 mm</p>
<p>L x 4</p> <p>Ø6 x 45 mm</p>	<p>M x 4</p> <p>Ø6 x 40 mm</p>	<p>N x 4</p> <p>Ø6 x 35 mm</p>	<p>P x 2</p>	<p>Q x 1</p>
<p>R x 88</p> <p>Ø3.5 x 12 mm</p>	<p>S x 4</p> <p>Ø3.5 x 35 mm</p>	<p>T x 2</p> <p>Ø3 x 14 mm</p>	<p>U x 32</p> <p>Ø3.5 x 14 mm</p>	<p>V x 1</p>
<p>W x 2</p>	<p>X x 4</p>	<p>Y x 2</p>	<p>Z x 4</p>	<p>AA x 4</p>

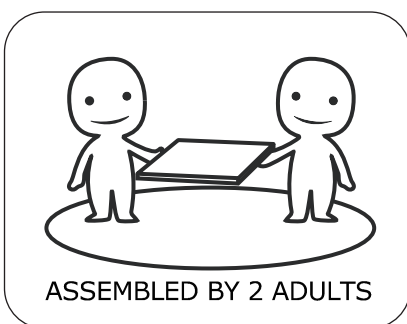
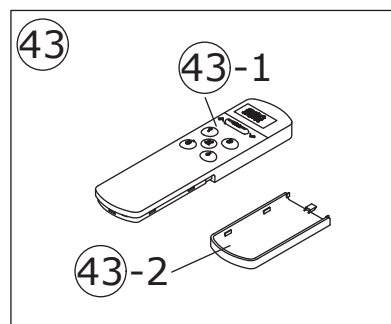
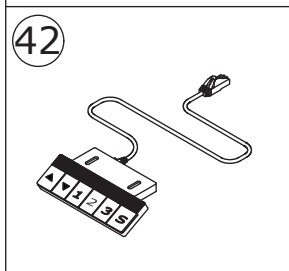
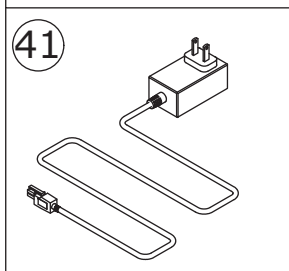
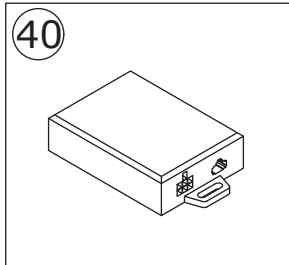
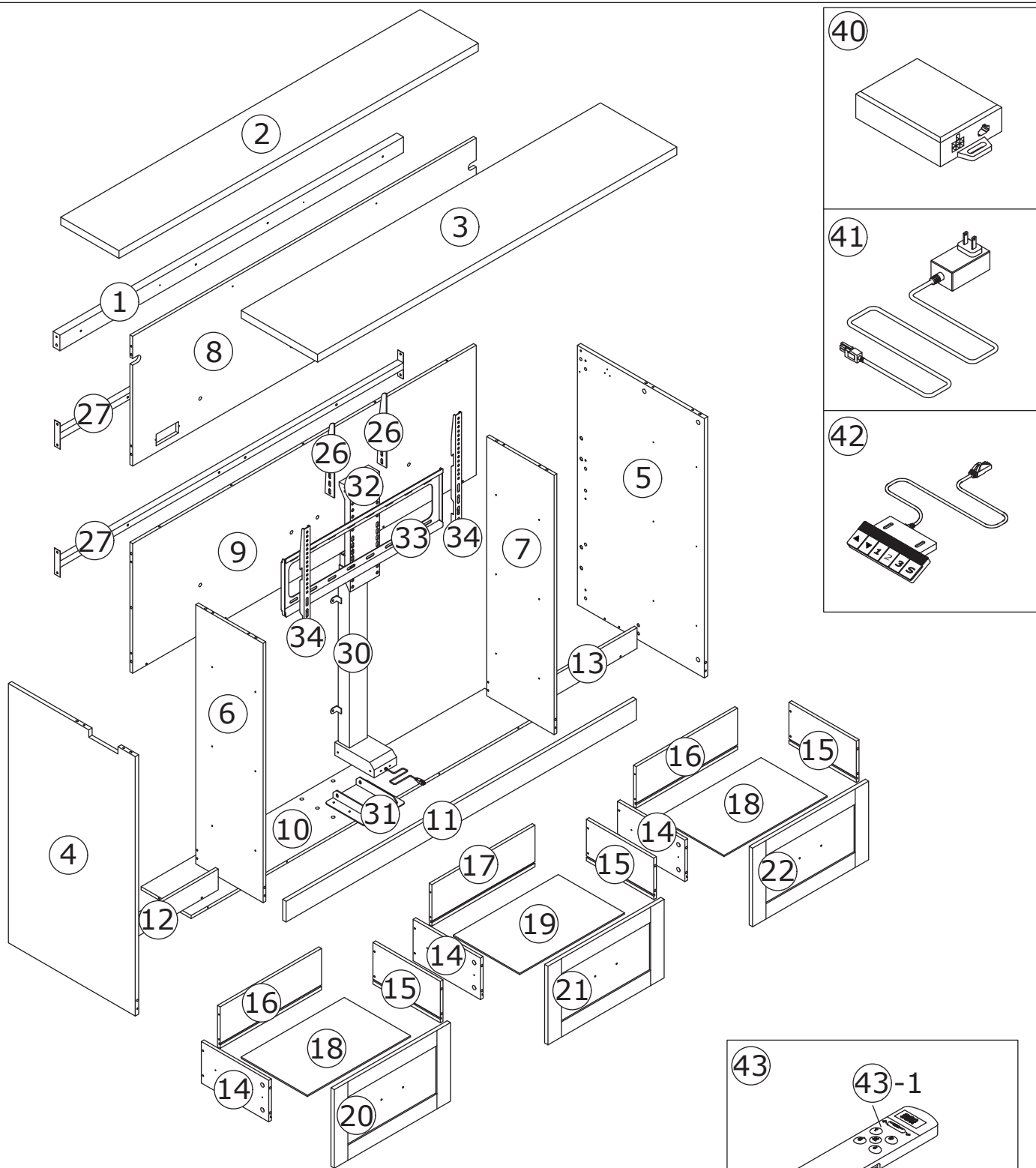


Please prepare the following tools



When installing, please carefully confirm whether each screw corresponds to the manual, accessories with similar shapes can be distinguished by size





## ⚠ WARNING



Children have died from furniture tipover. To reduce the risk of furniture tipover:

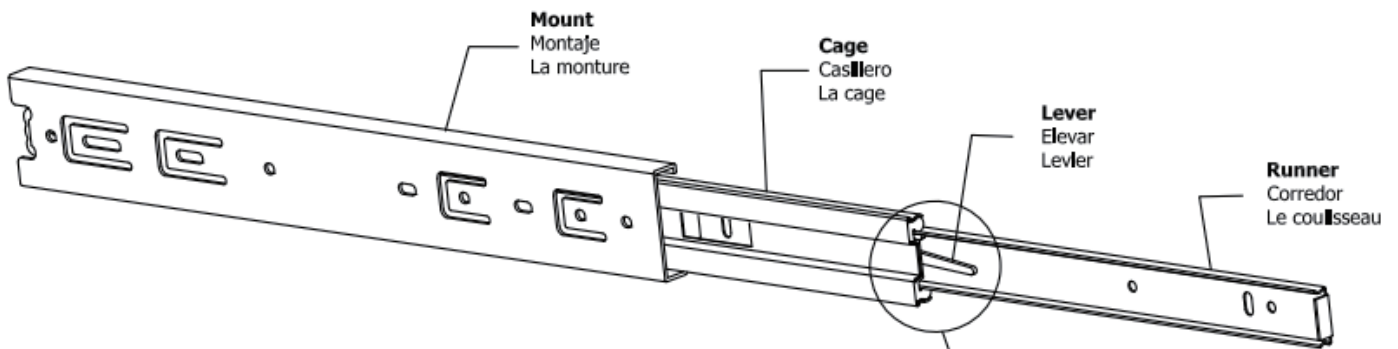
- ALWAYS install Anti-tip device provided.
- NEVER put a TV on this product.
- NEVER allow children to stand, climb or hang on drawers, doors, or shelves.
- NEVER open more than one drawer at a time.
- Place heaviest items in the lowest drawers.

*This is a permanent label.  
Do not remove!*

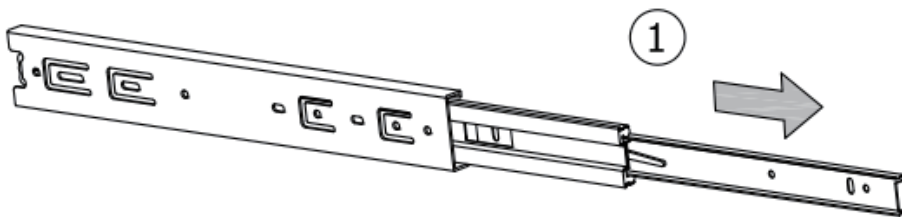
**Slides Must Be Separated Before Assembly.  
After Separated, Set Aside Until Needed for Assembly.**

Las diapositivas deben separarse antes del montaje.  
Después de la separación, déjelo a un lado hasta que sea necesario.

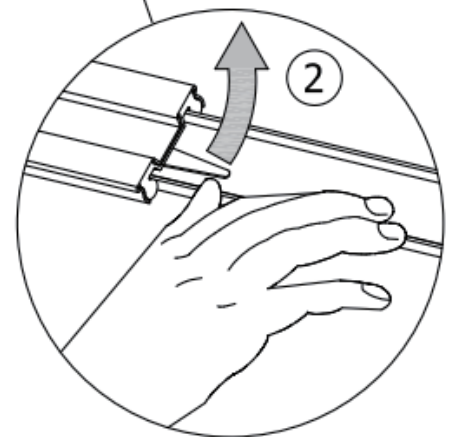
Les glissières doivent être séparées avant l'assemblage.  
Après la séparation, mettez de côté jusqu'au moment de l'assemblage.



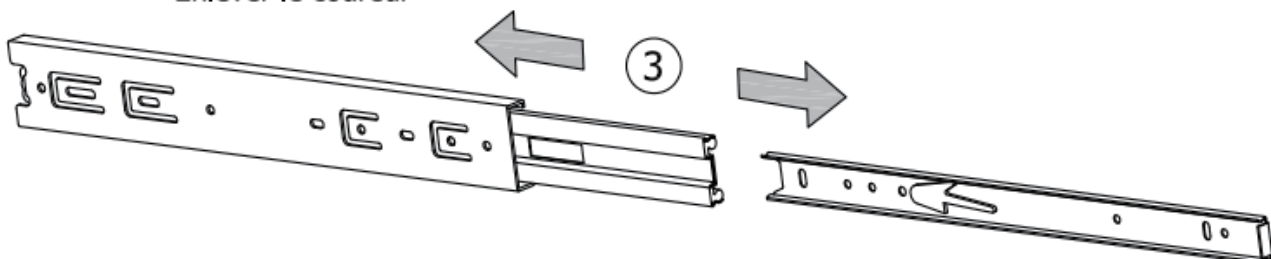
**STEP 1: Extend Slide**  
Extender la diapositiva  
Extendre la diapositive

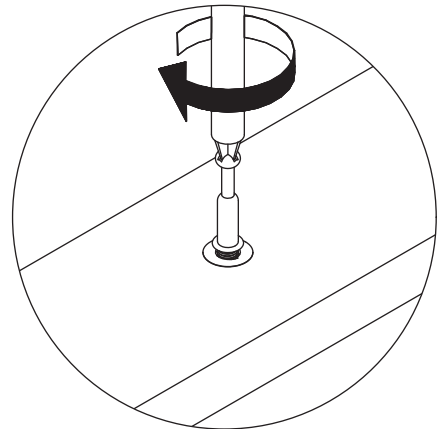
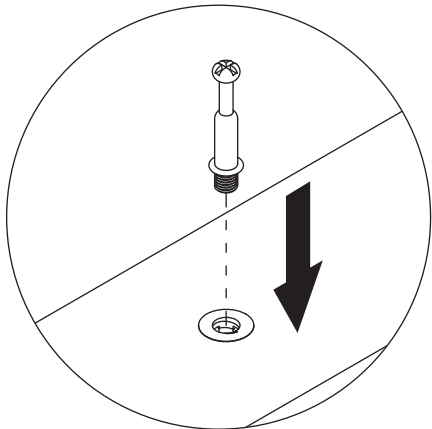
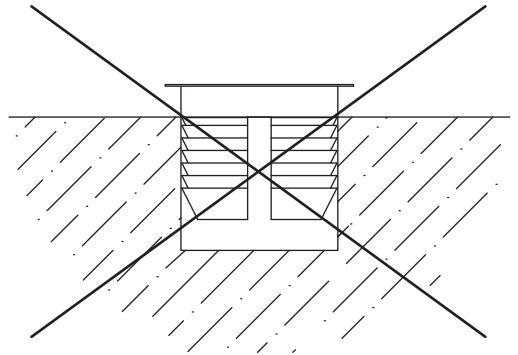
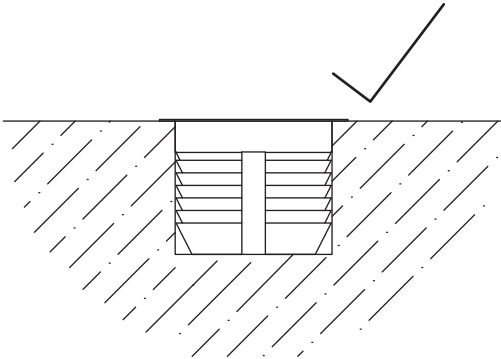
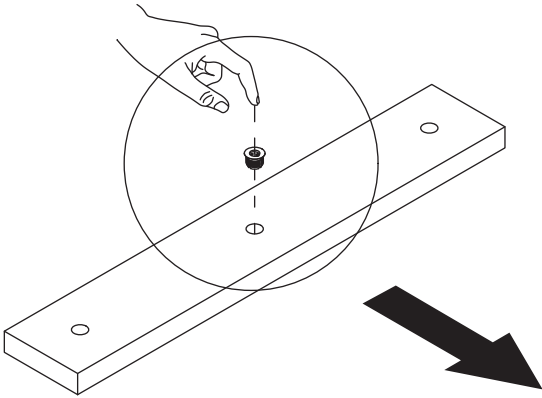
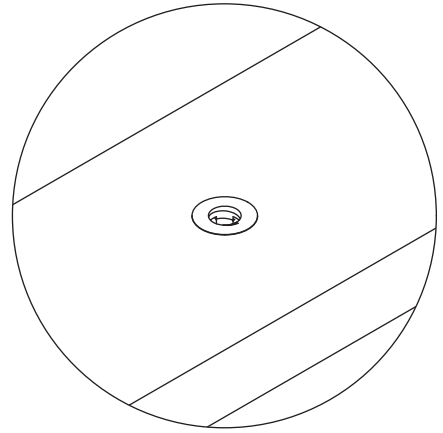
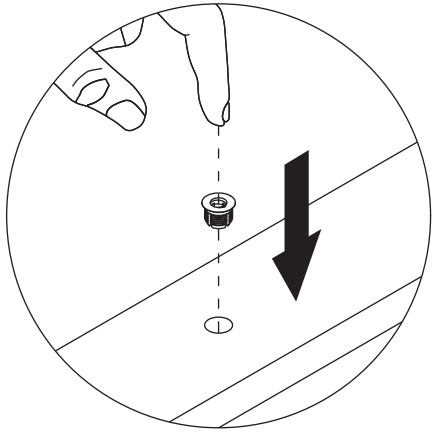


**STEP 2: Push Lever UP**  
Empujar hacia arriba  
Lever le levier

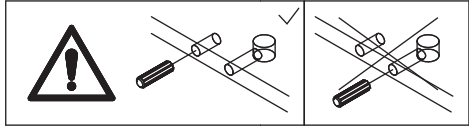
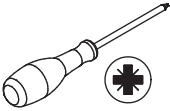
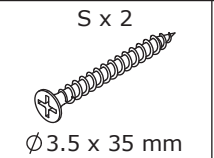


**STEP 3: Remove Runner**  
Quitar el corredor  
Enlever le coureur

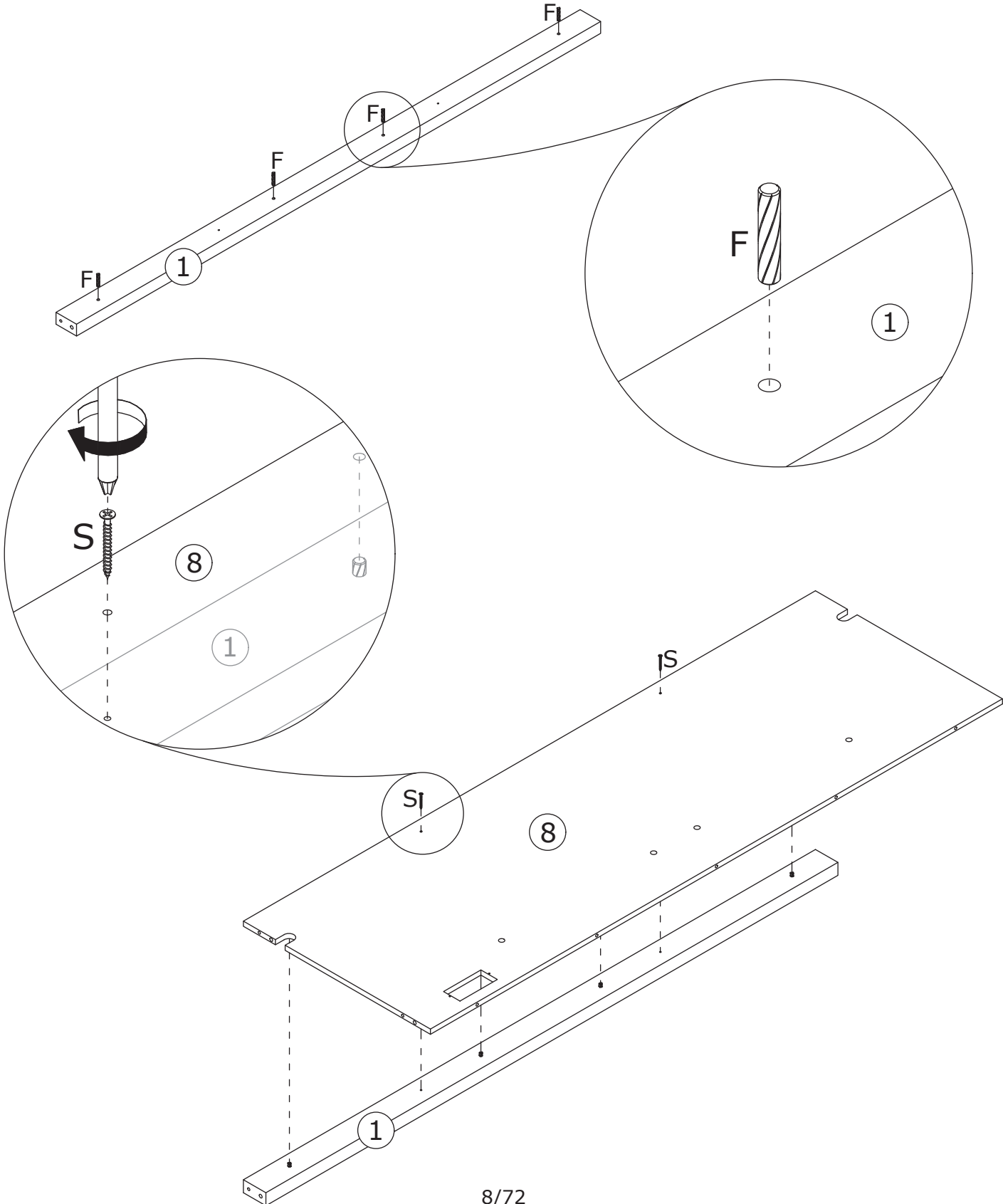




1



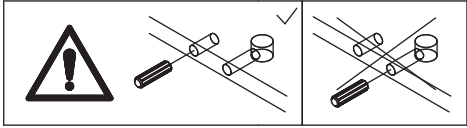
Insert dowel F into board 1.  
Connect board 1 to board 8  
and tighten with screw S.



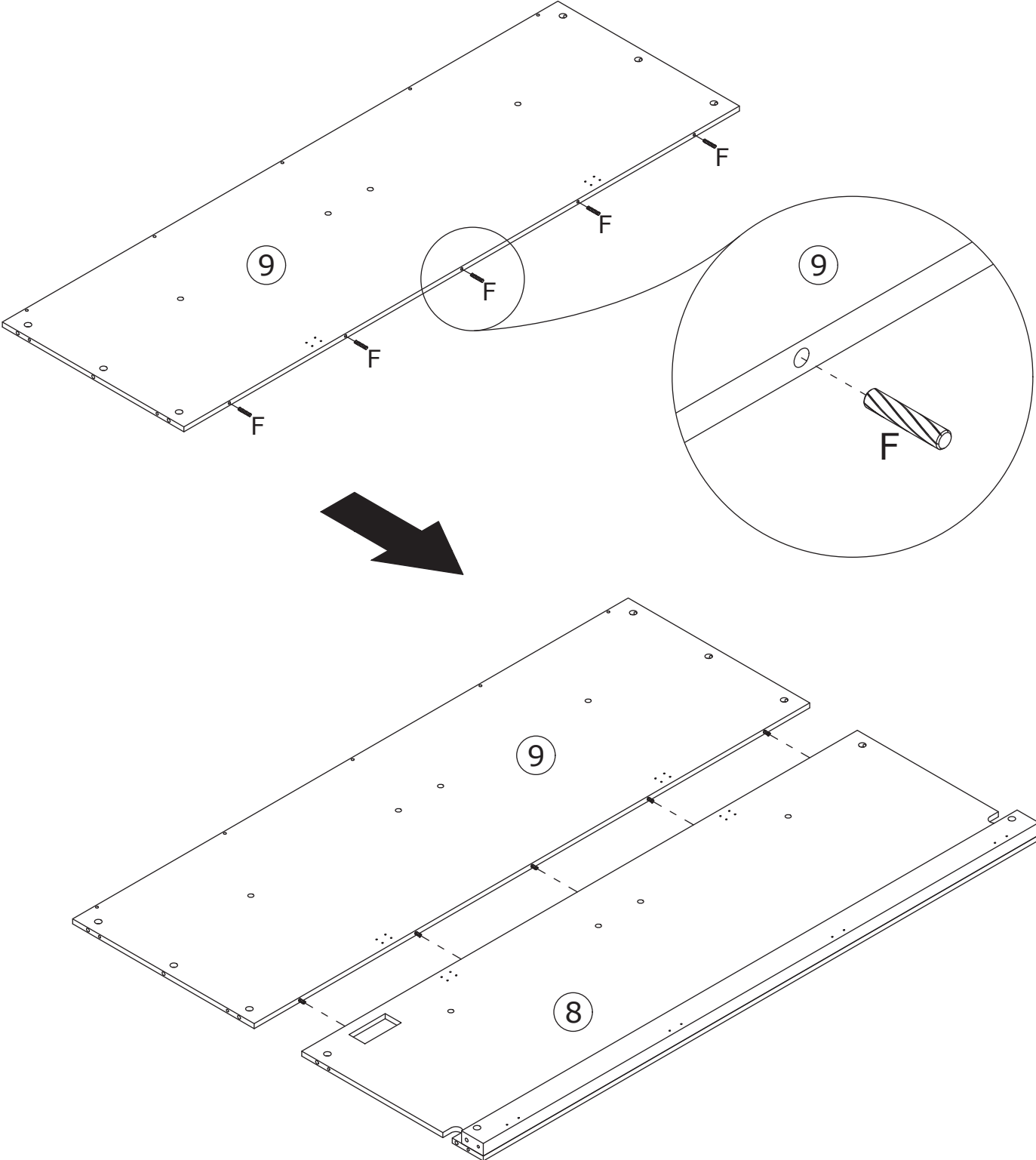


2

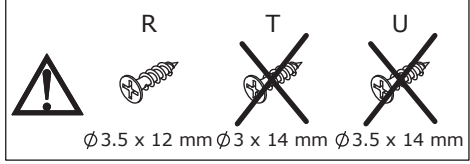
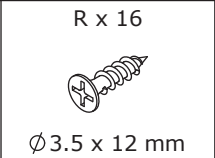
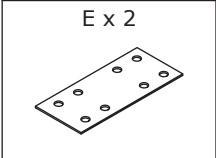
F x 5  
  
Ø6 x 30 mm



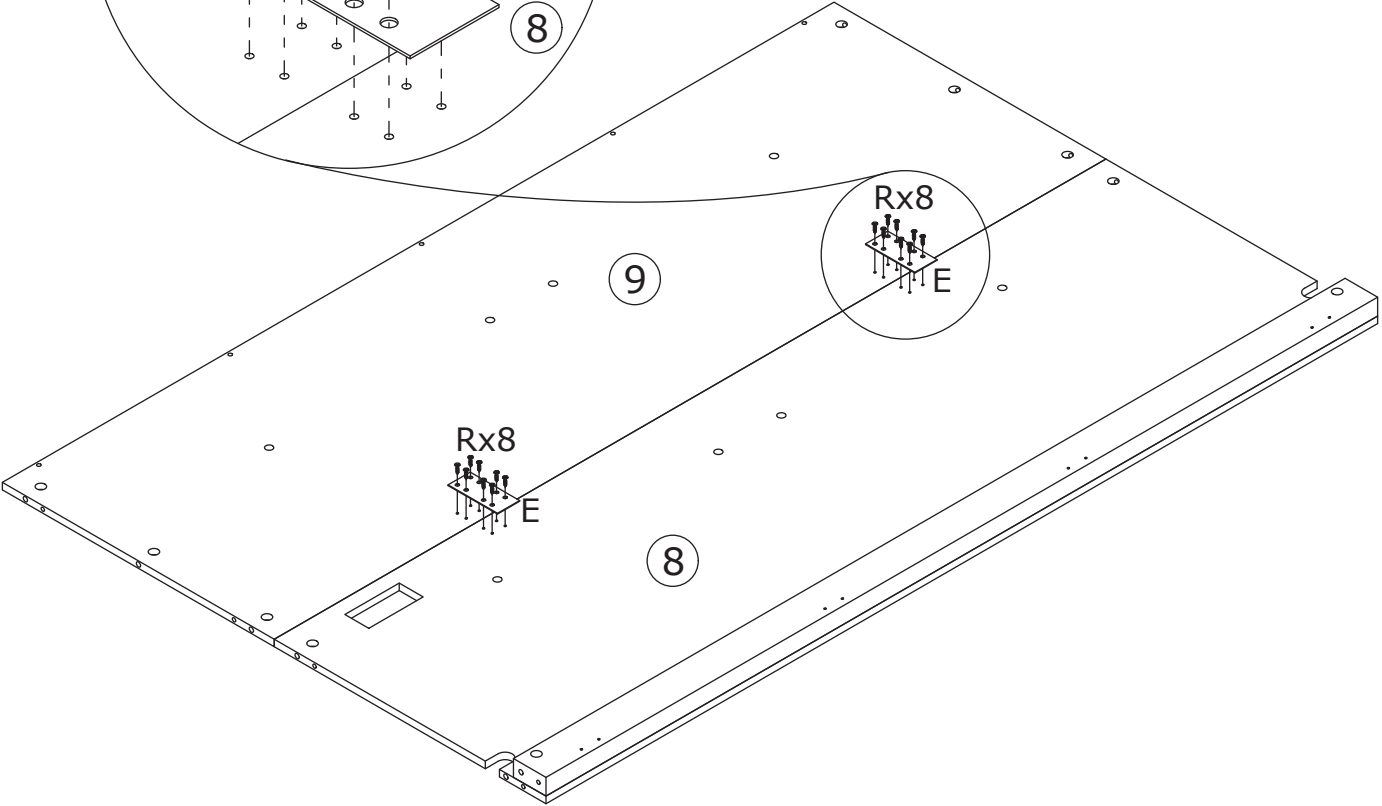
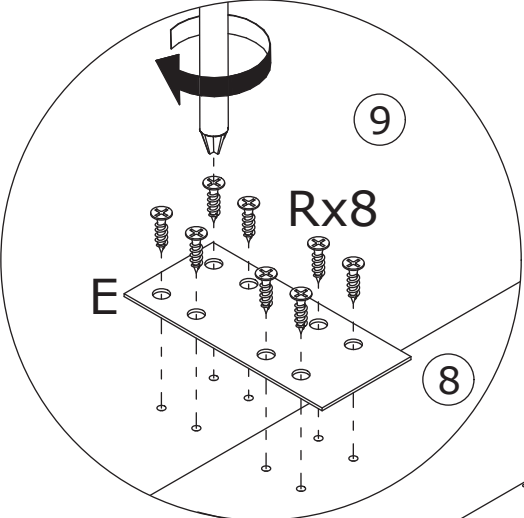
Insert dowel F into board 9.  
Connect board 9 to board 8.



3

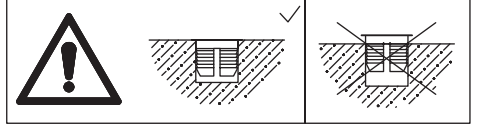


Fasten iron plate E to boards 8 and 9 using screw R.

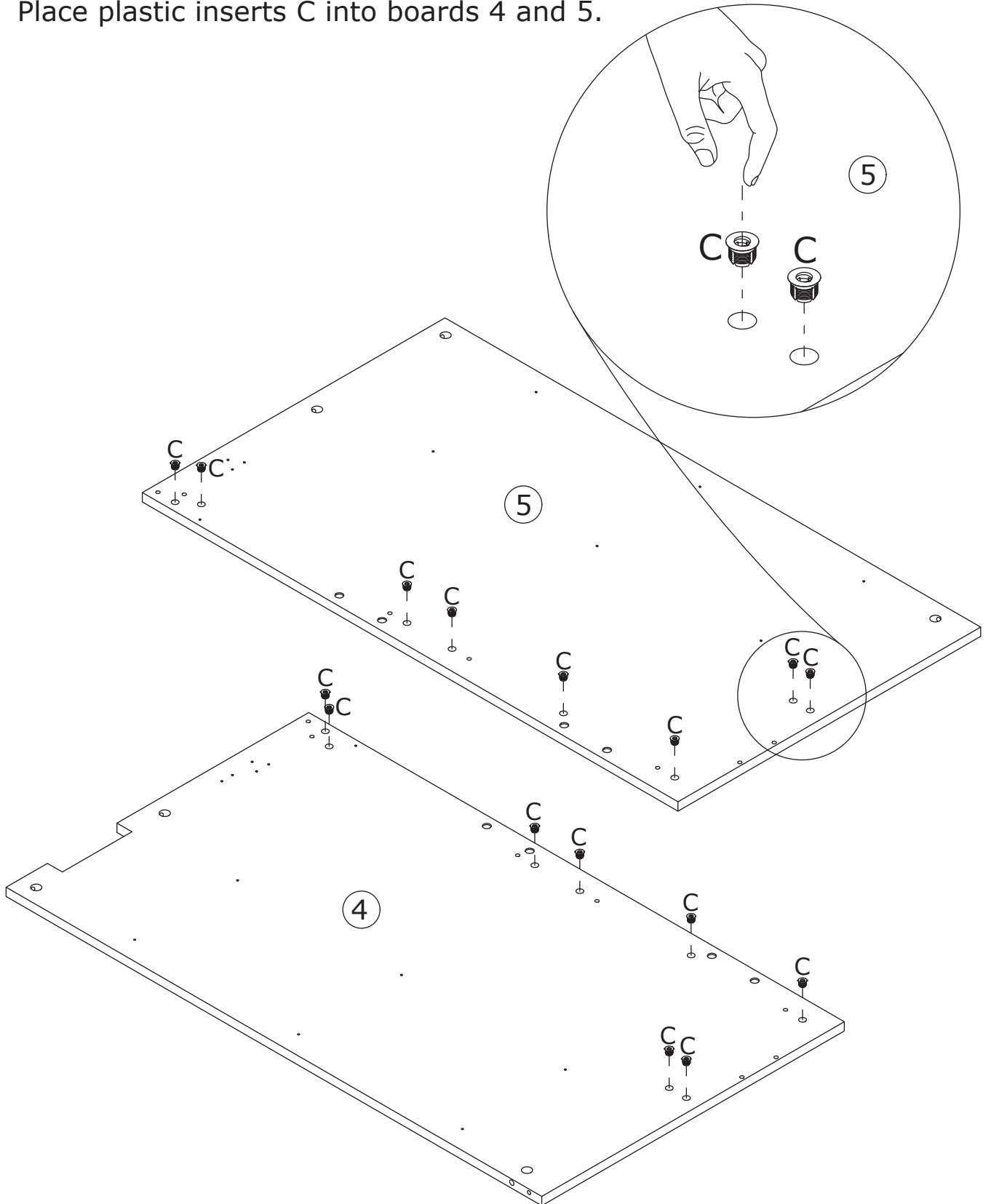


4

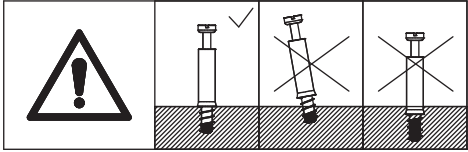
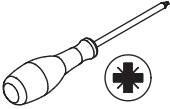
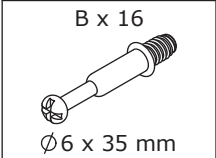
C x 16



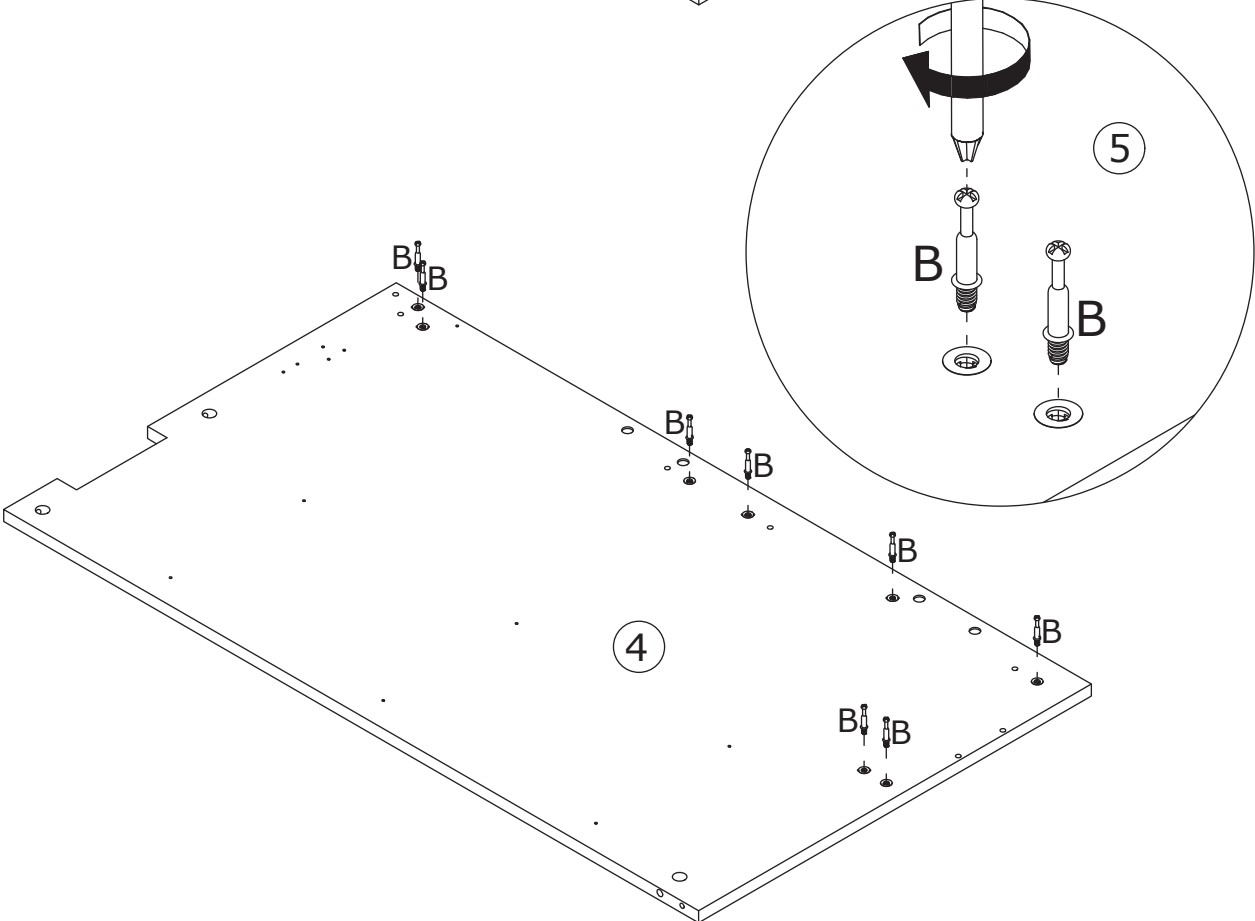
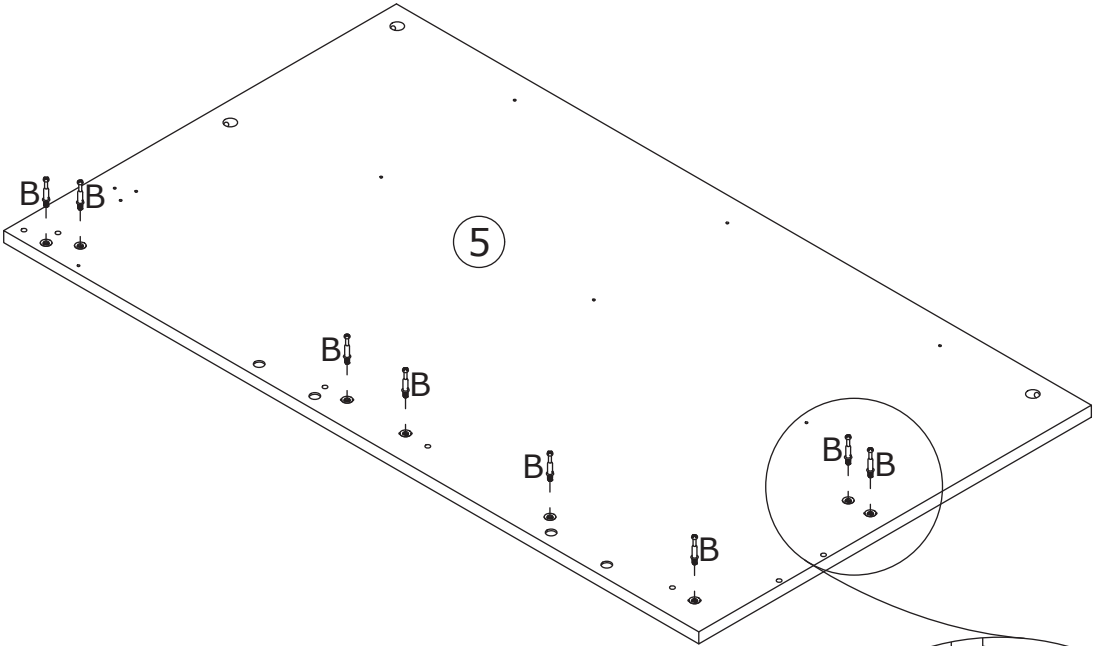
Place plastic inserts C into boards 4 and 5.



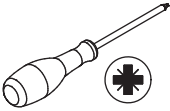
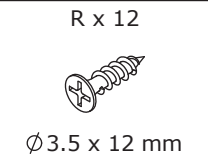
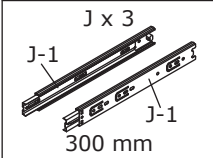
5



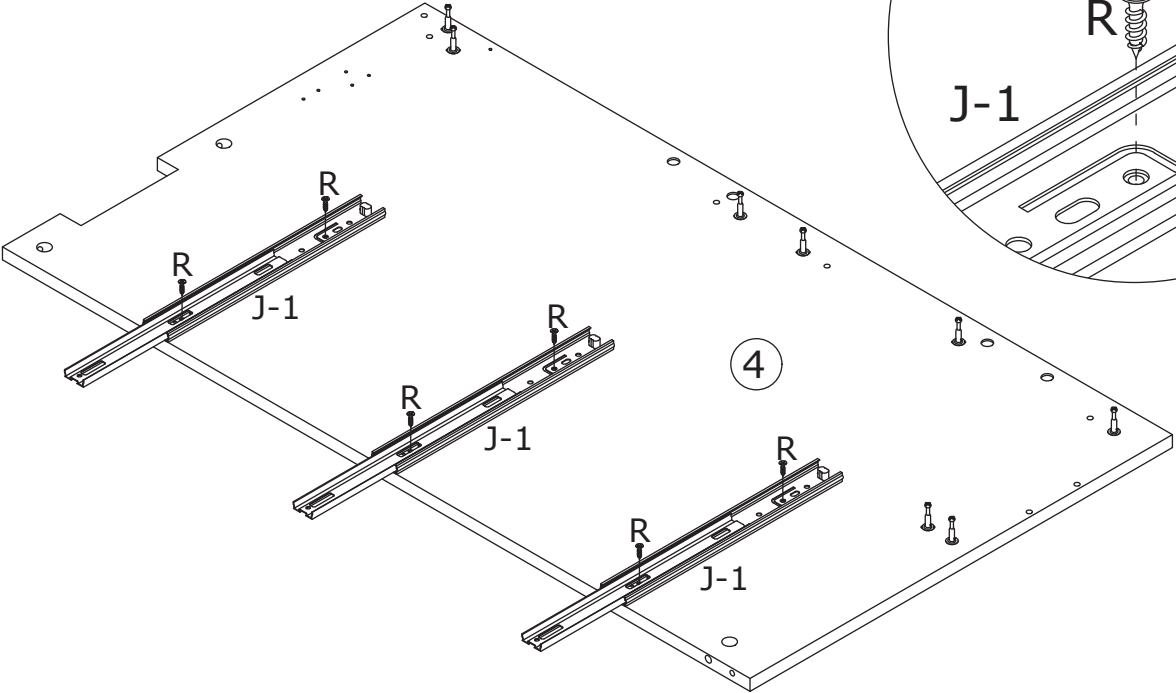
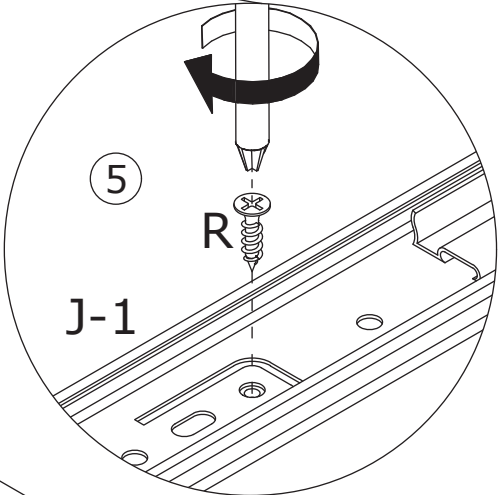
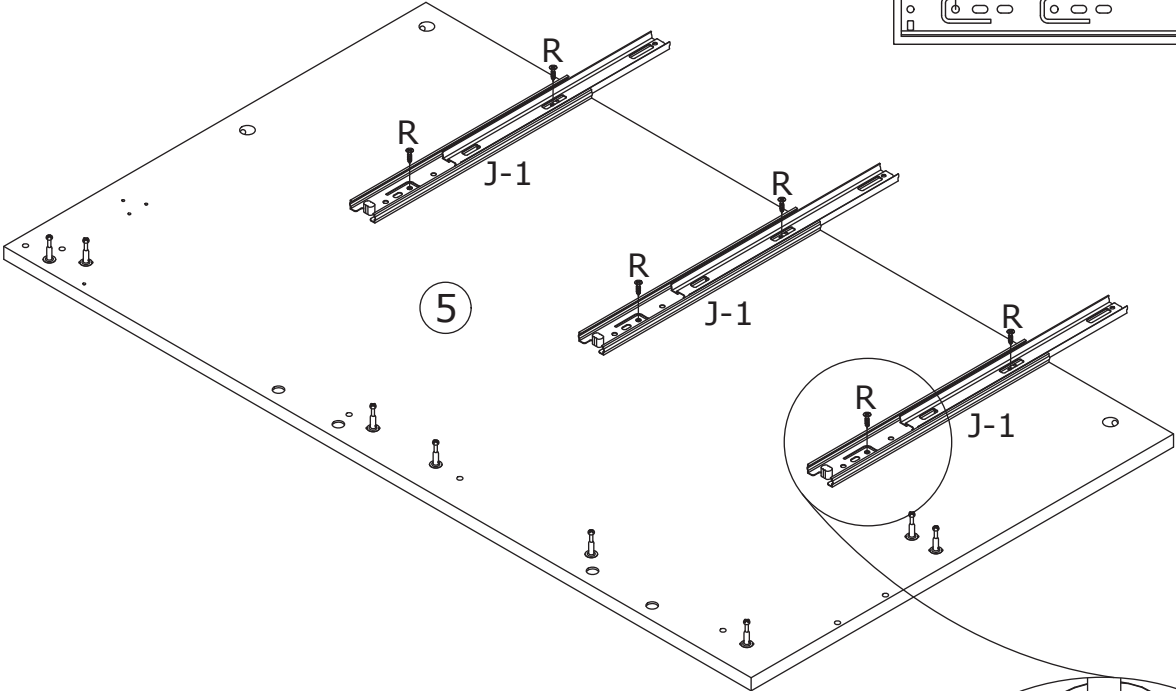
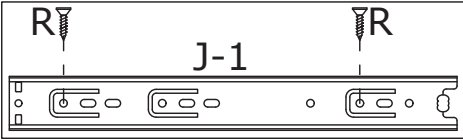
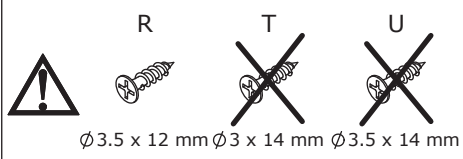
Screw eccentric rod B into the plastic inserts C in boards 4 and 5.



6

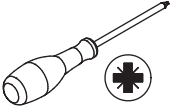


Secure guide rail J-1 to boards 4 and 5 using screw R.

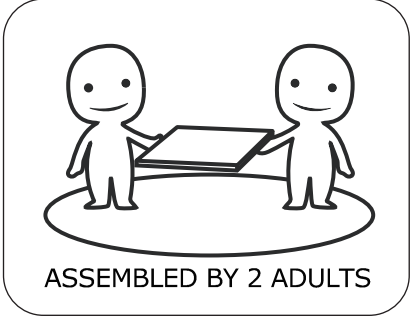
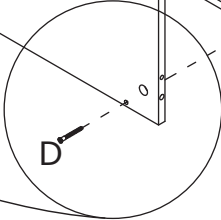
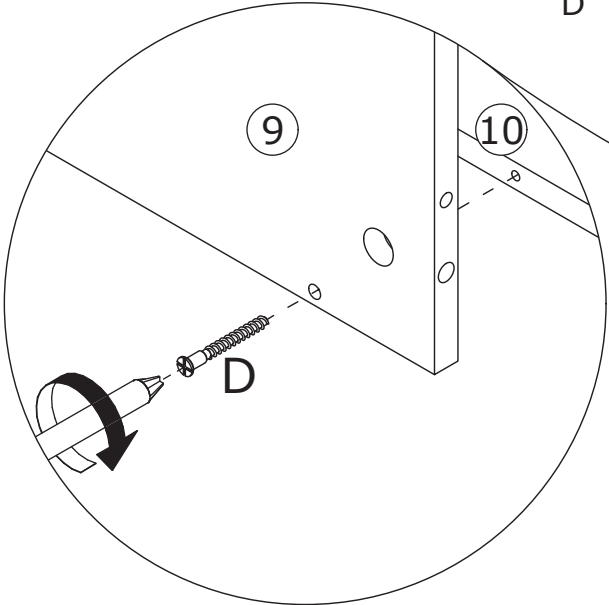
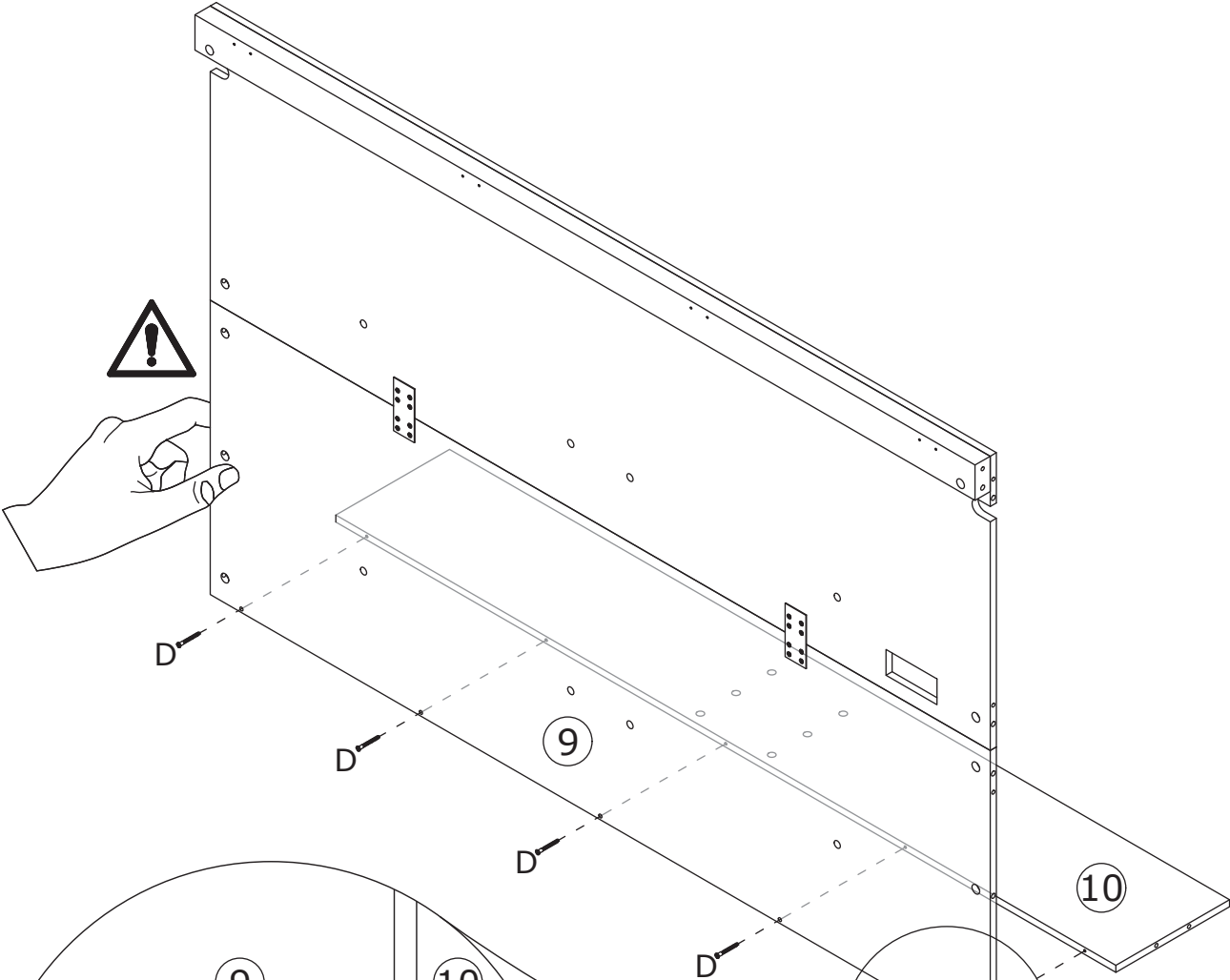


7

D x 5  
Ø5 x 40 mm

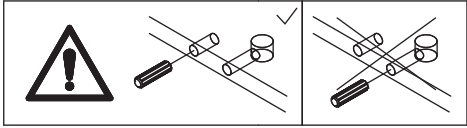


Connect board 9 to board 10 using screw D.

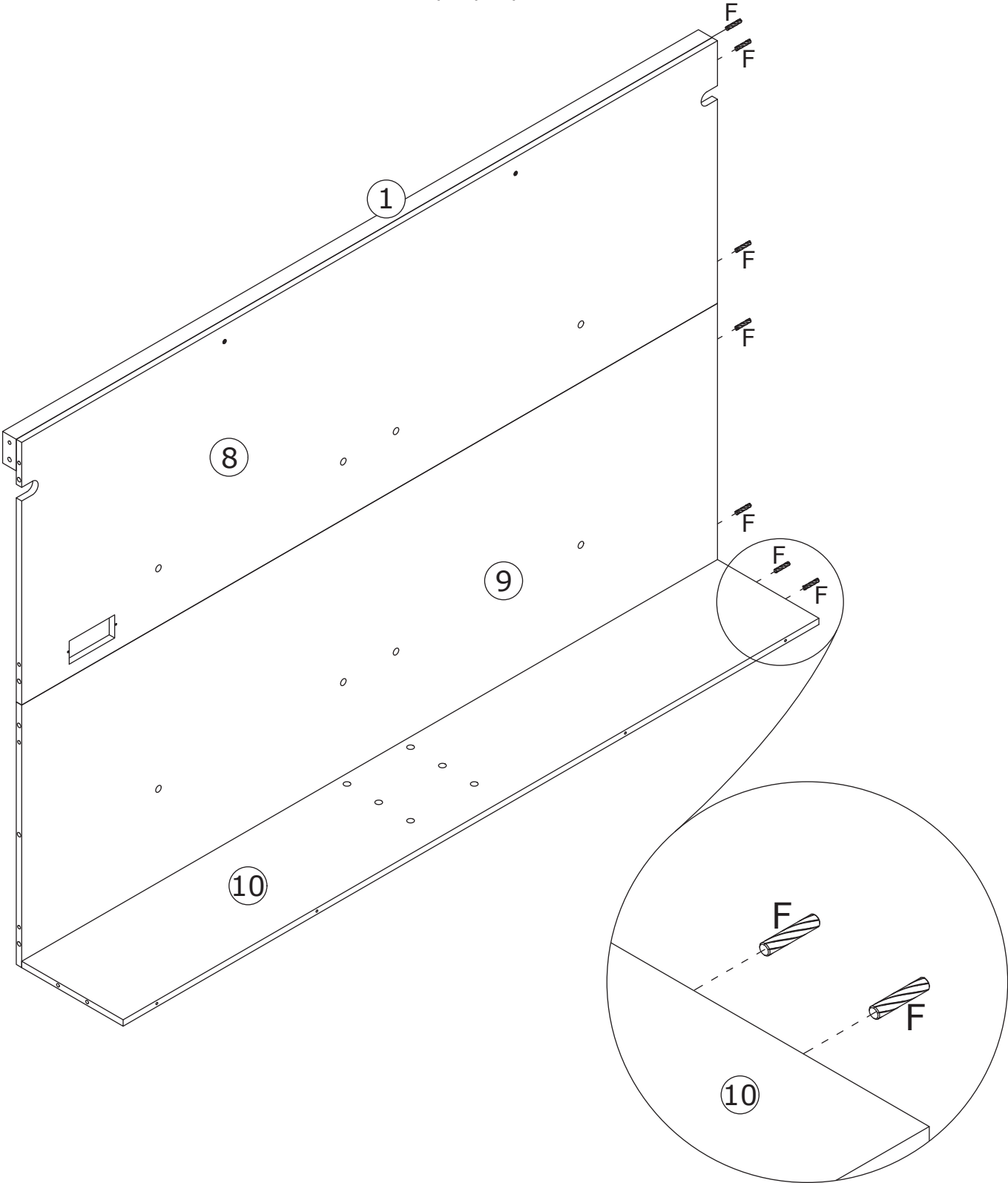


8

F x 7  
  
Ø6 x 30 mm

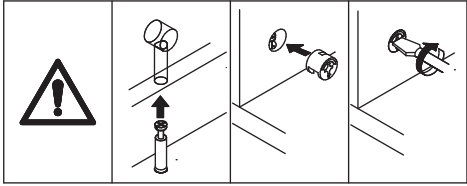
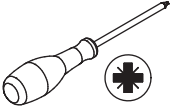


Insert dowel F into boards 1, 8, 9, and 10.

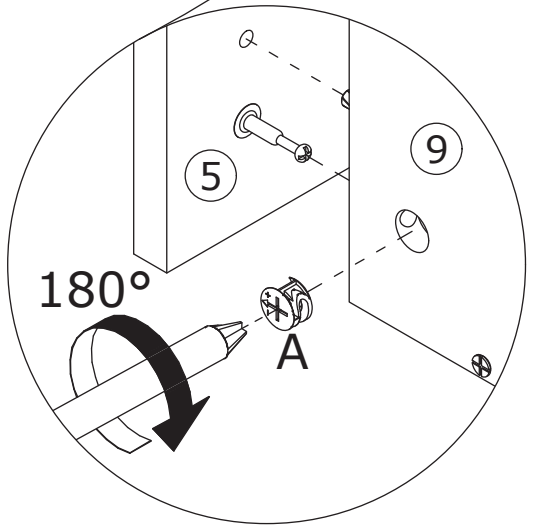
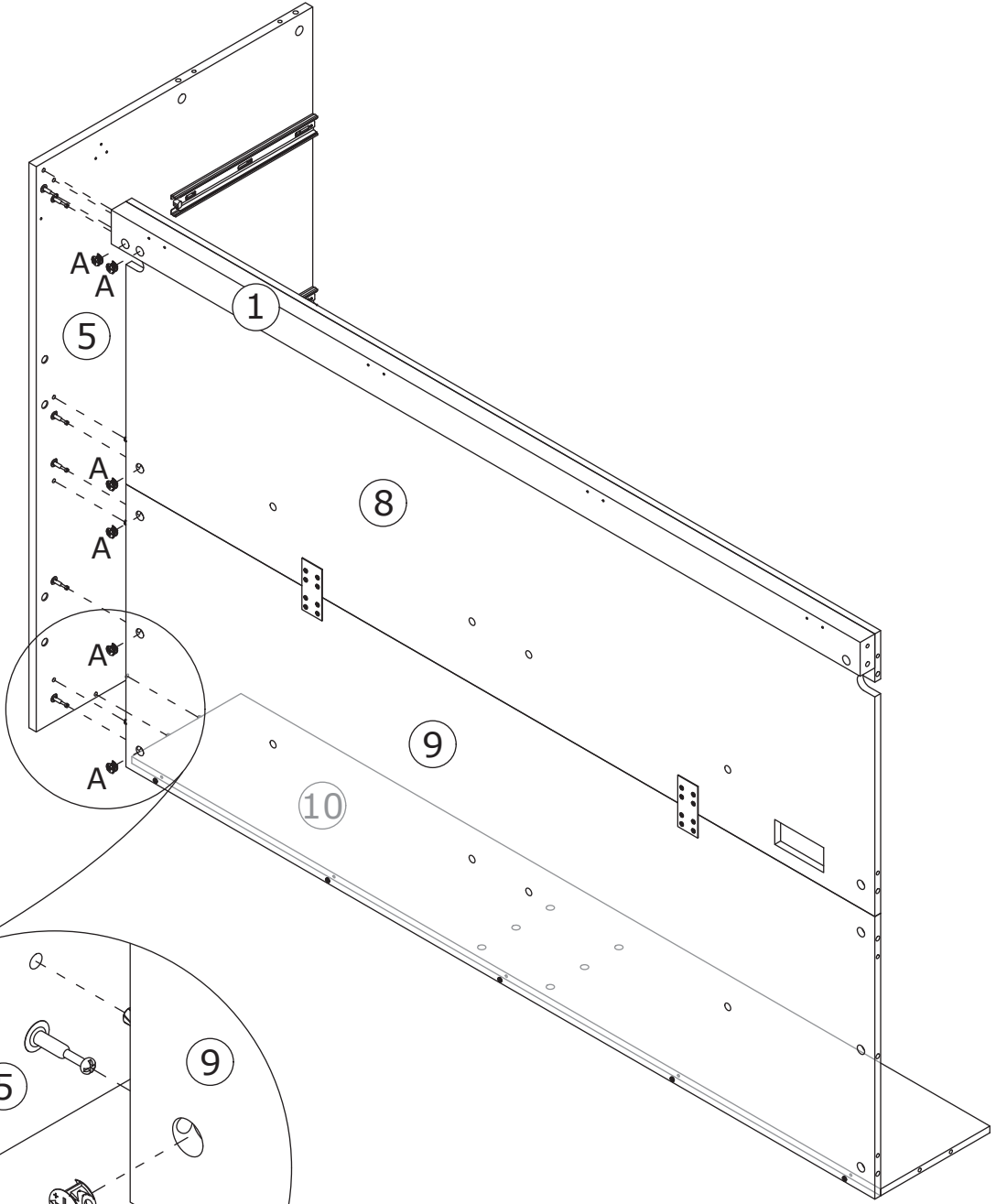


9

A x 6  
Ø15 x 10 mm

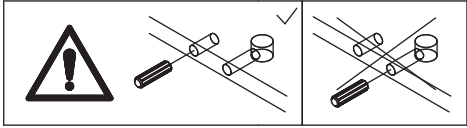


Connect board 5 to boards 1, 8, 9, and 10 and lock by rotating eccentric cam A clockwise.

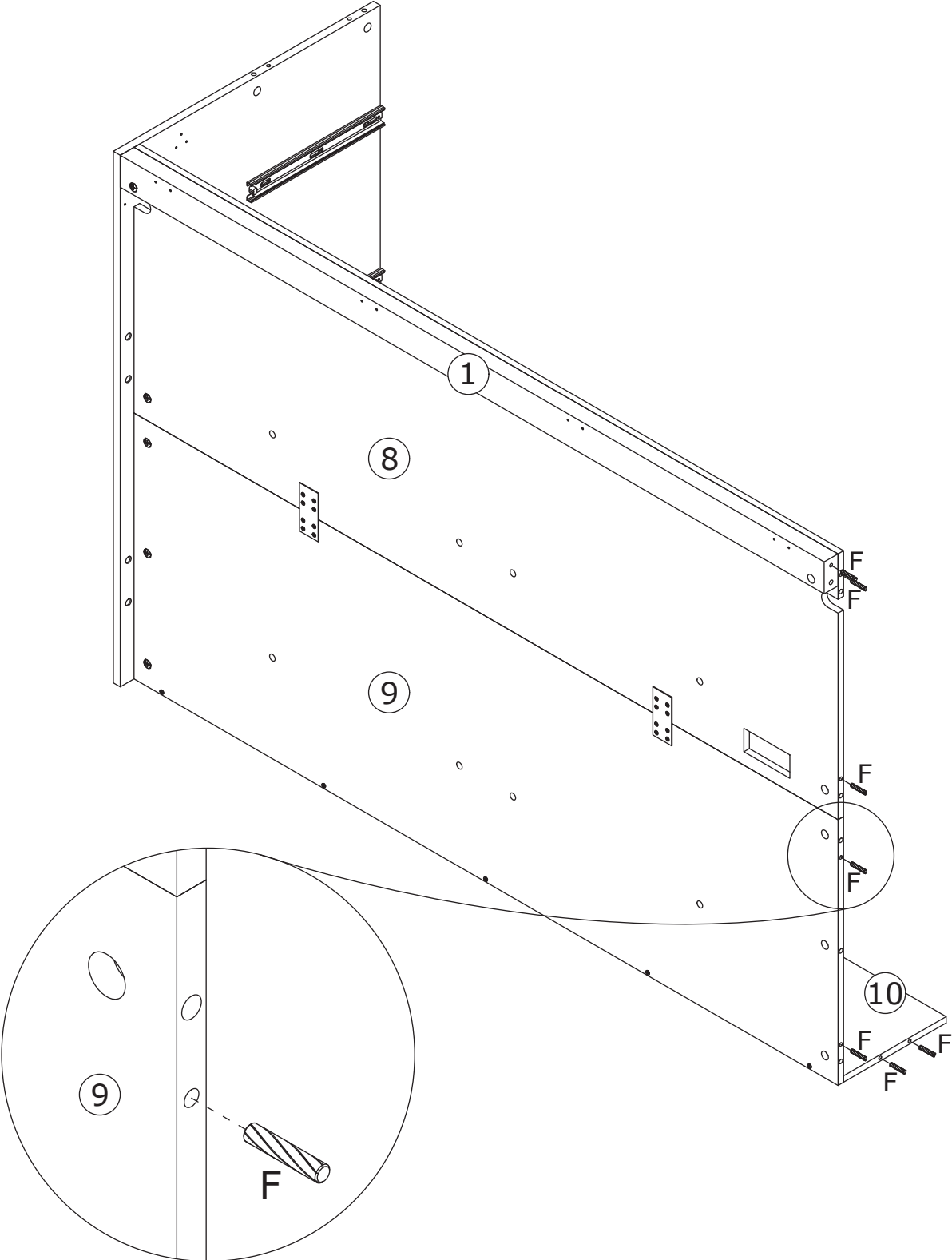




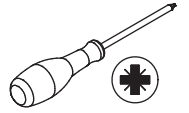
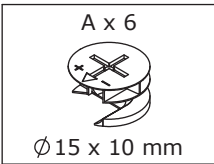
10



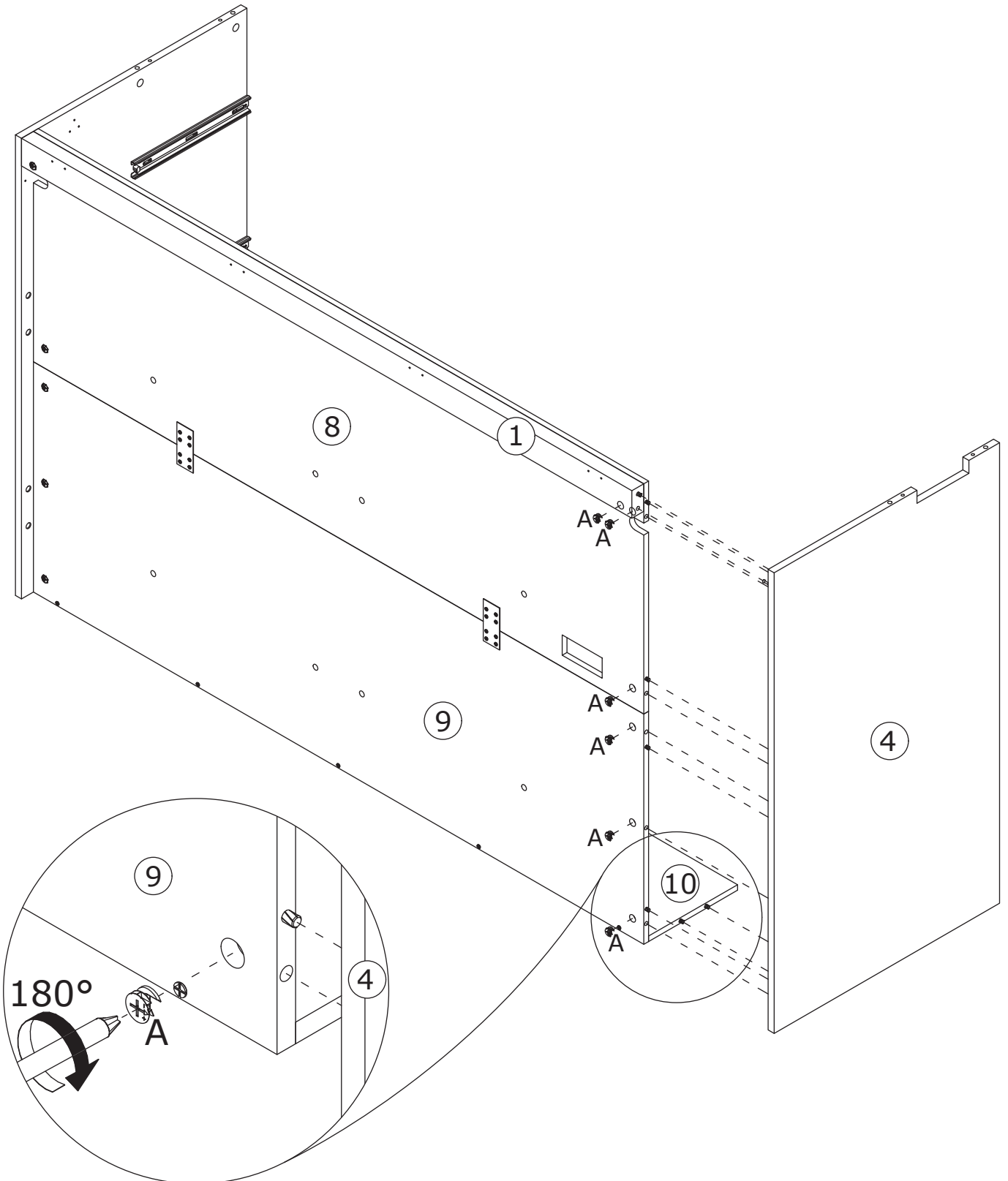
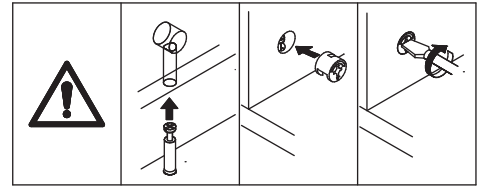
Insert dowel F into boards 1, 8, 9, and 10.



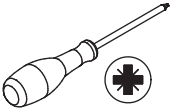
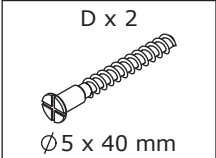
11



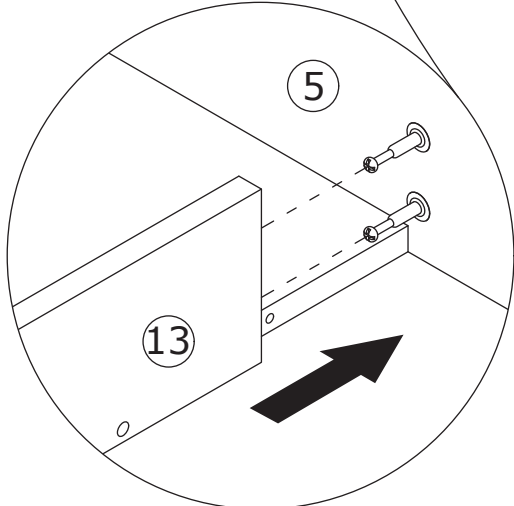
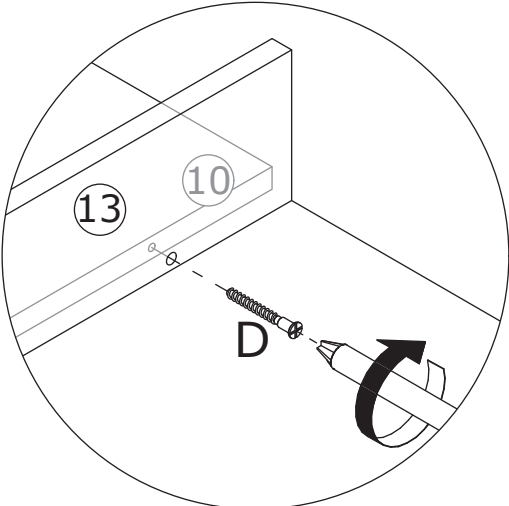
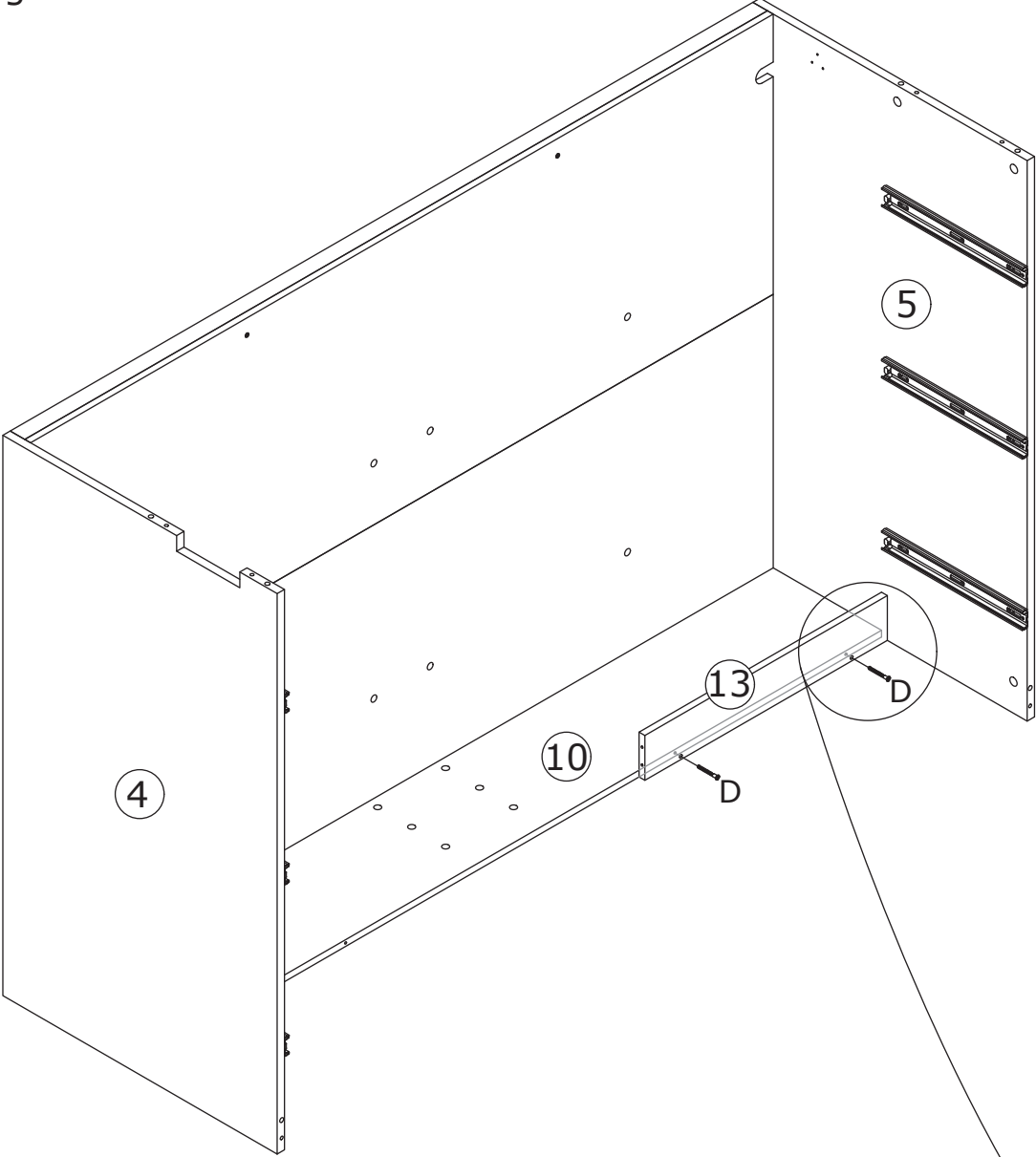
Connect board 4 to boards 1, 8, 9, and 10 and lock by rotating eccentric cam A clockwise.



12

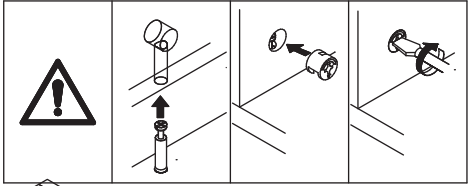
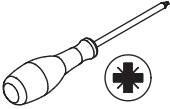


Insert board 13 into board 5. Use screw D through board 13 to screw into board 10.

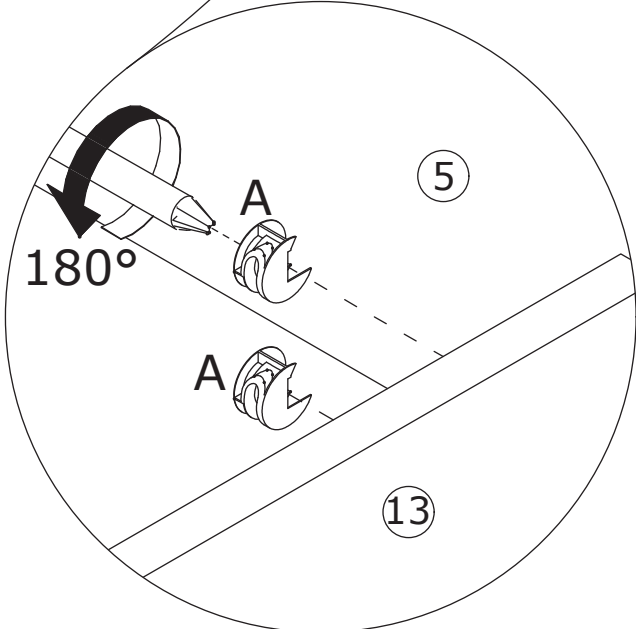
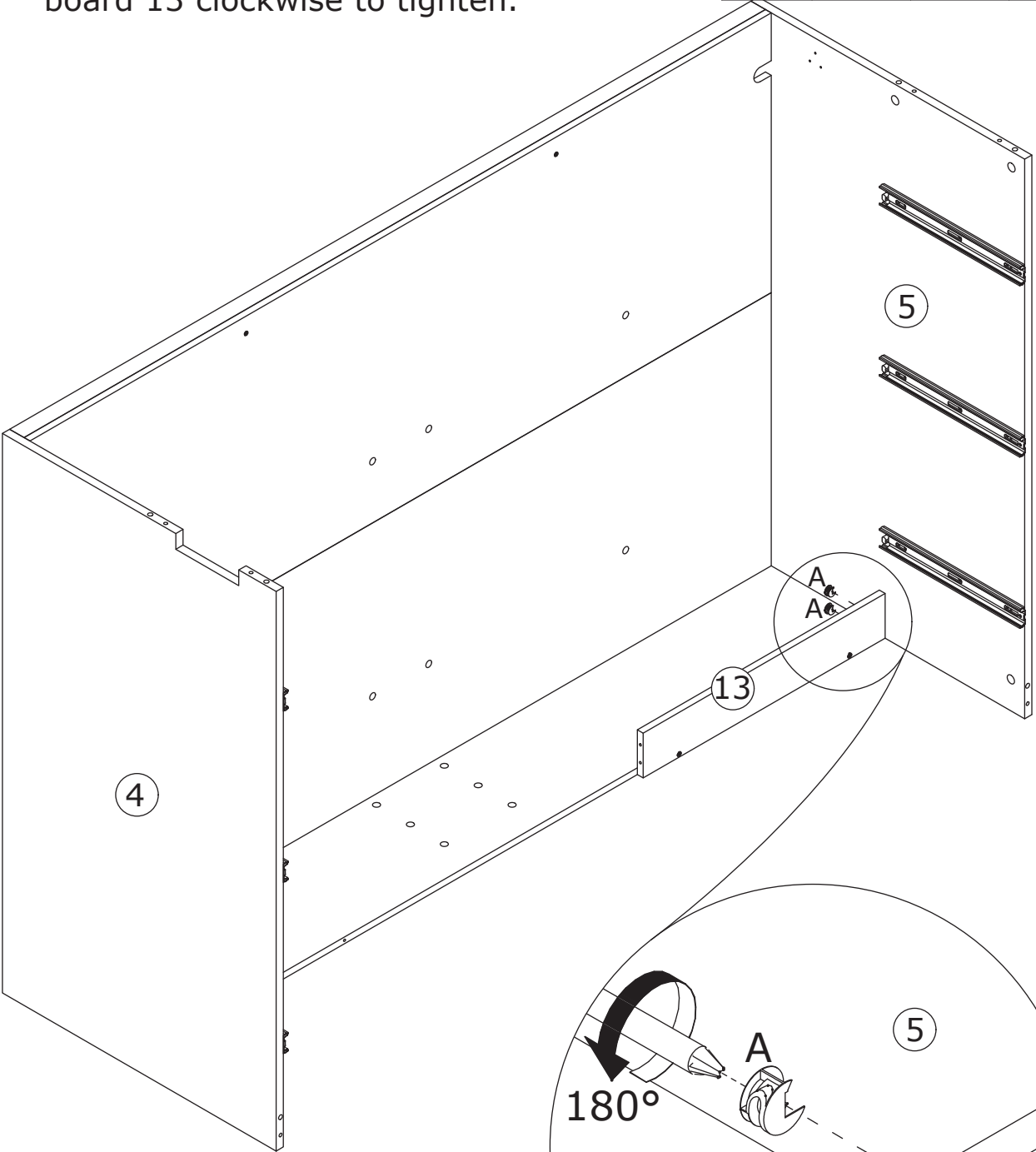


13

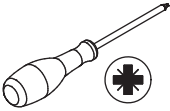
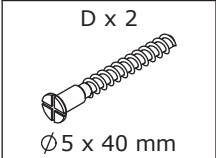
A x 2  
Ø 15 x 10 mm



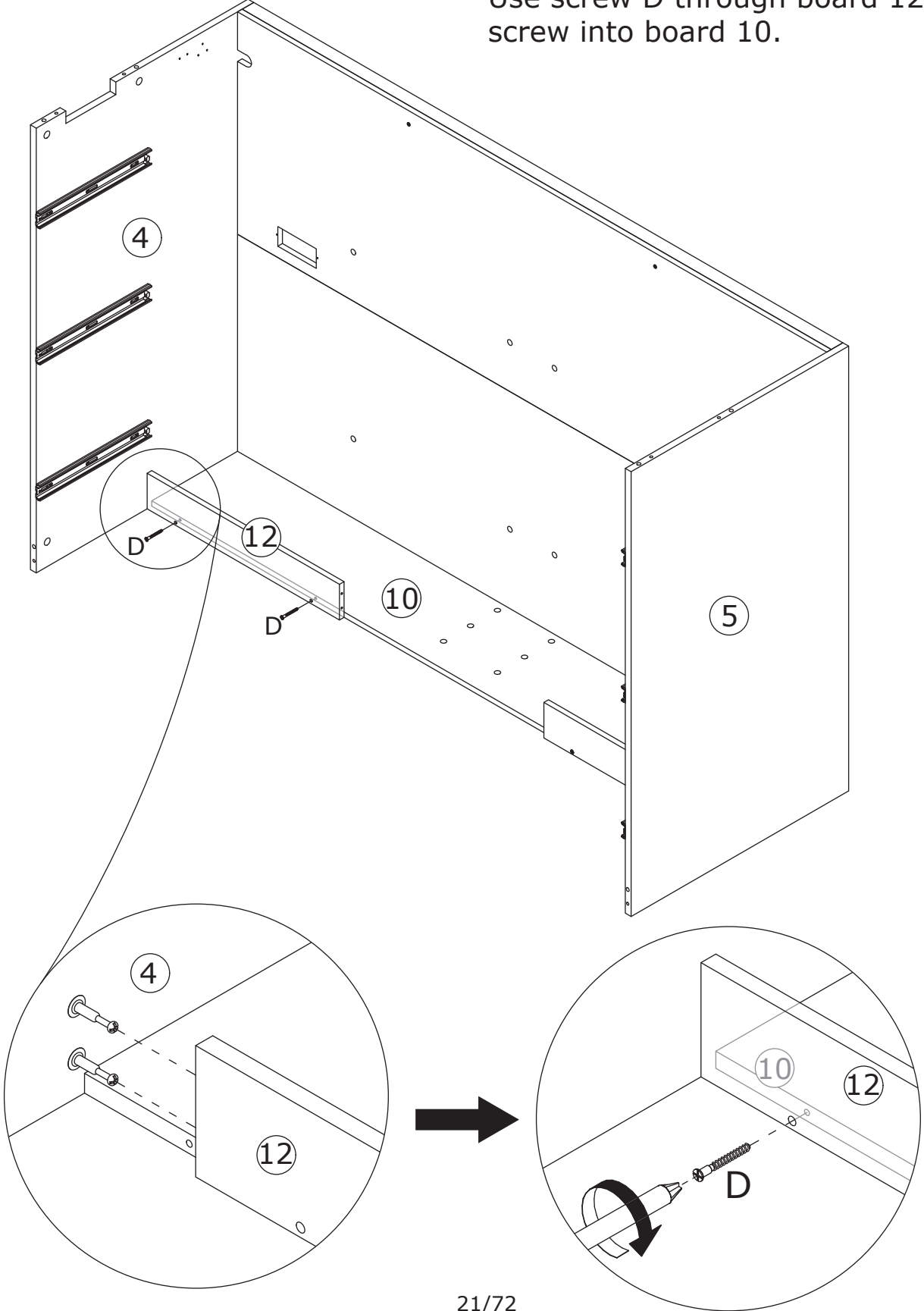
Rotate eccentric cam A on board 13 clockwise to tighten.



14

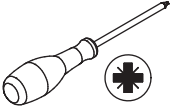


Insert board 12 into board 5.  
Use screw D through board 12 to  
screw into board 10.

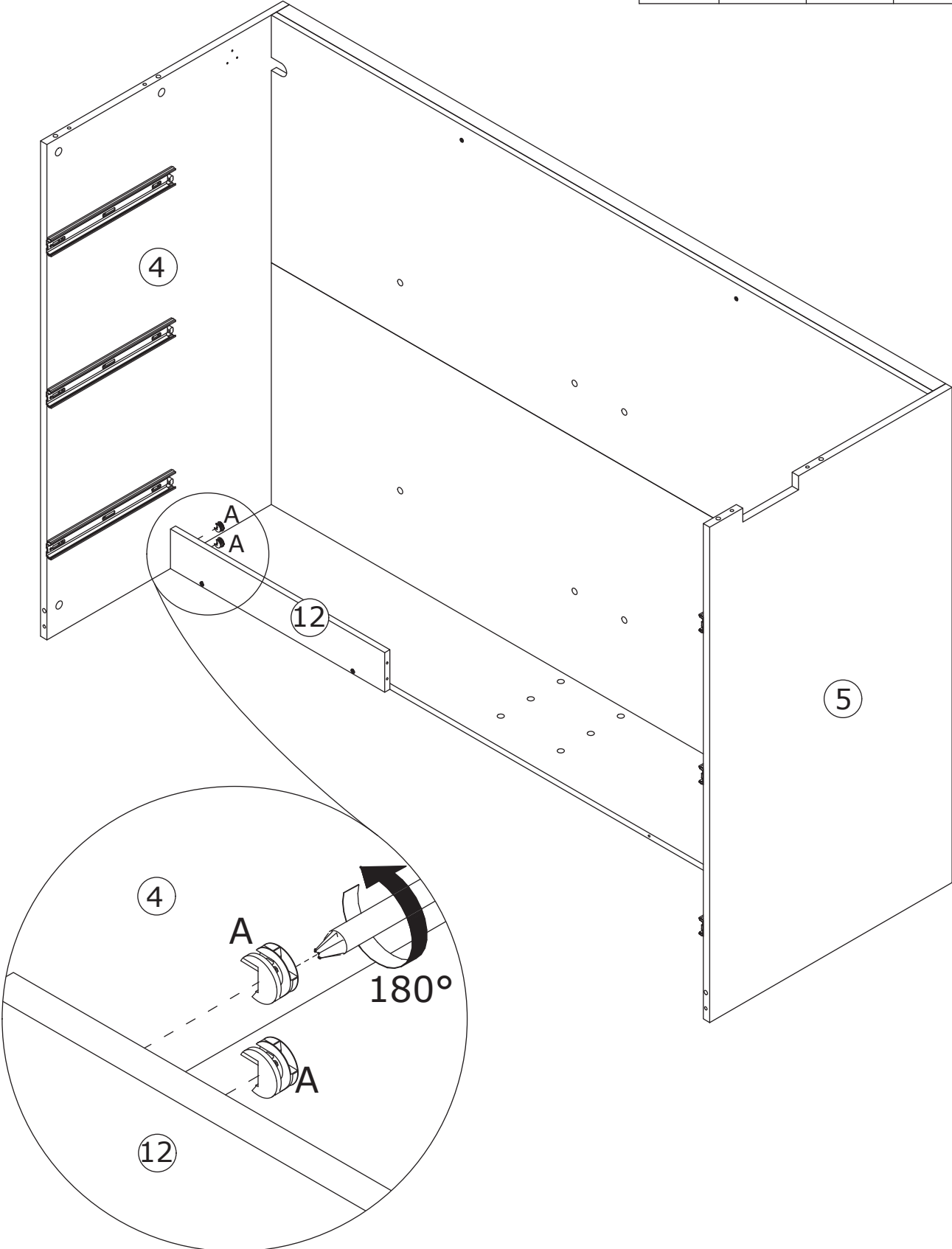
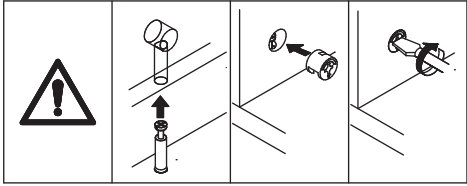


15

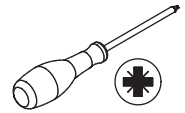
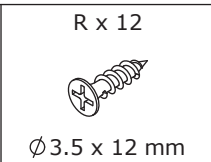
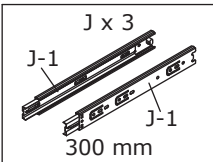
A x 2  
Ø15 x 10 mm



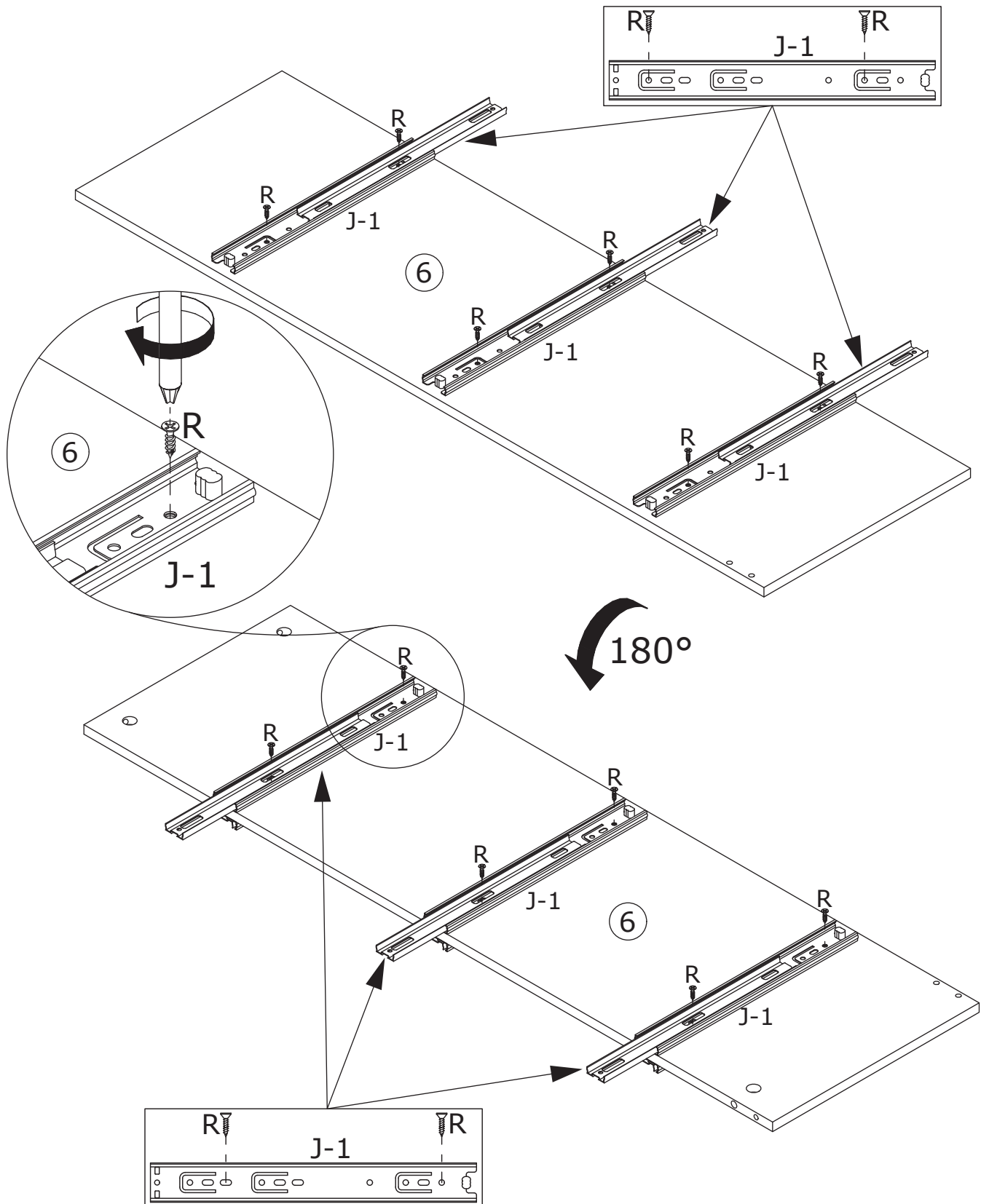
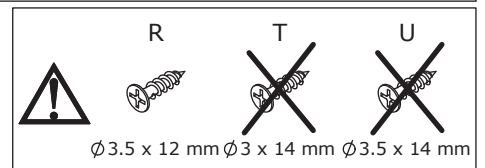
Rotate eccentric cam A on board 12 clockwise to tighten.



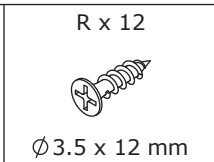
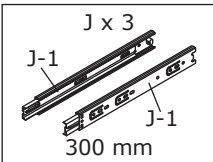
16



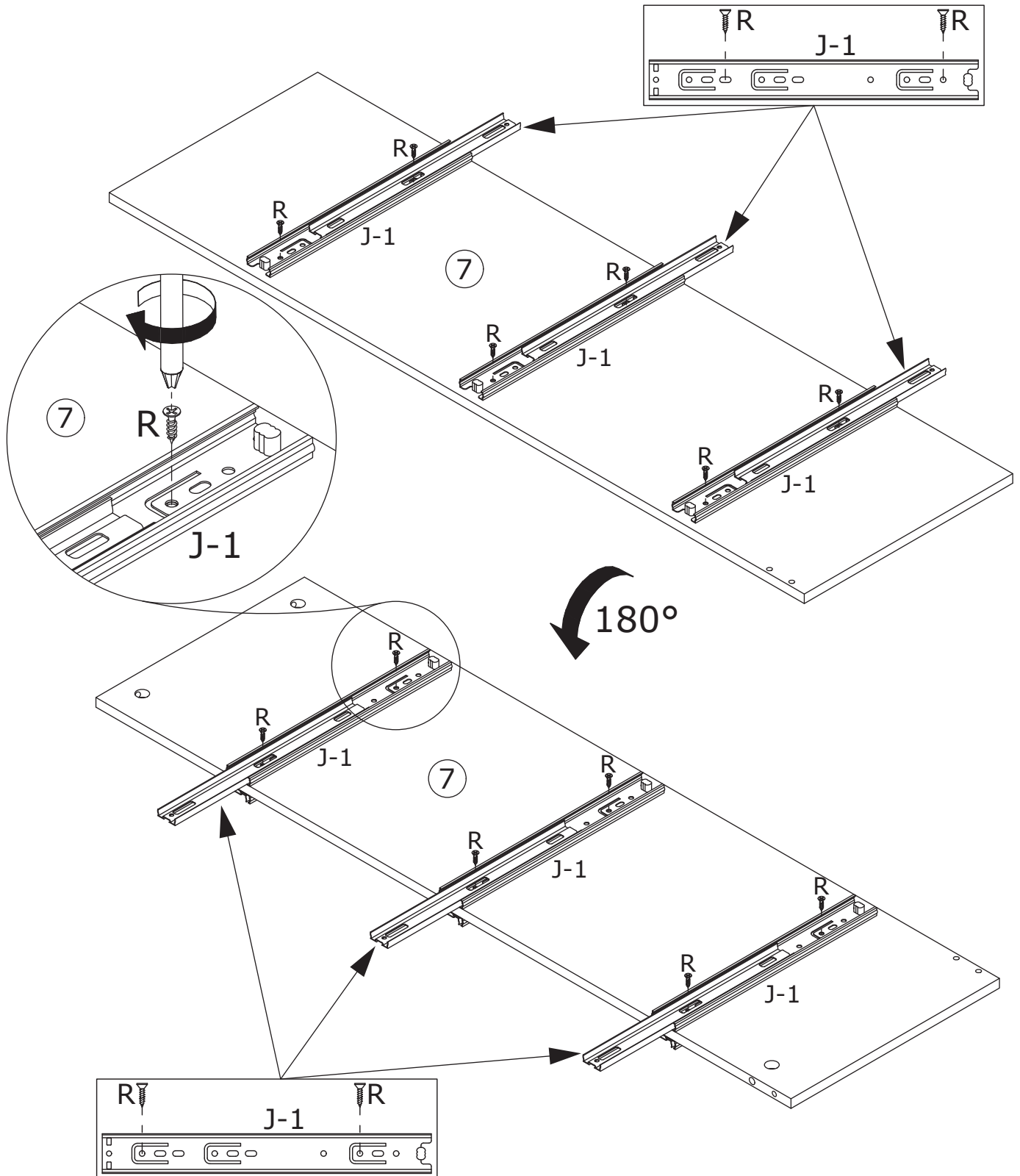
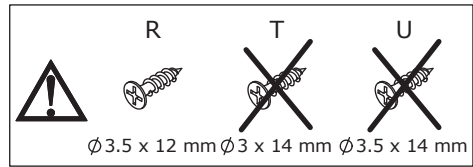
Secure guide rail J-1 to board 6 using screw R.  
**Flip the board** and secure guide rail J-1 to board 6 using screw R.



17



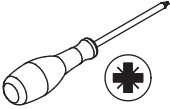
Secure guide rail J-1 to board 7 using screw R.  
**Flip the board** and secure guide rail J-1 to board 7 using screw R.



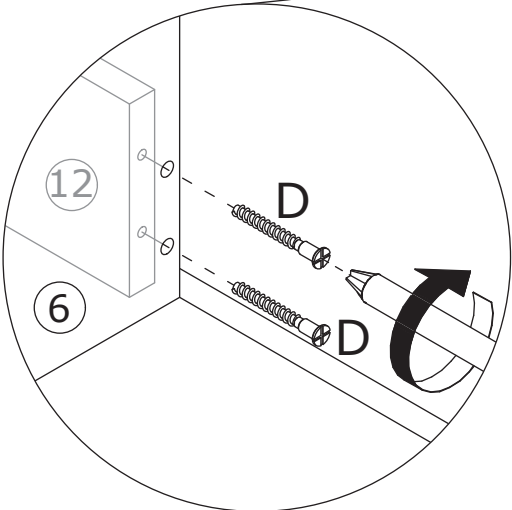
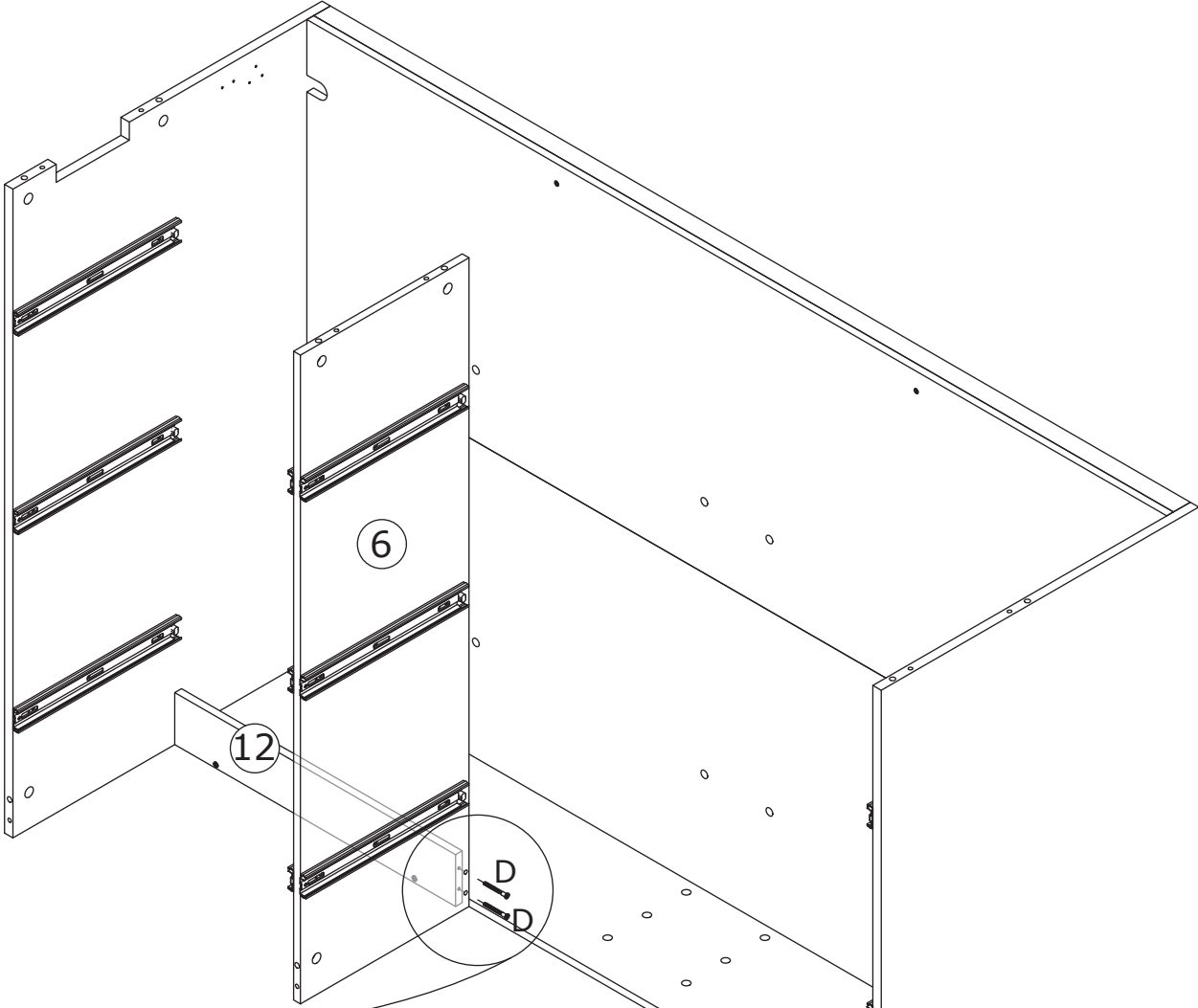


18

D x 2  
Ø5 x 40 mm

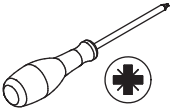


Connect board 6 to board 12 using screw D.

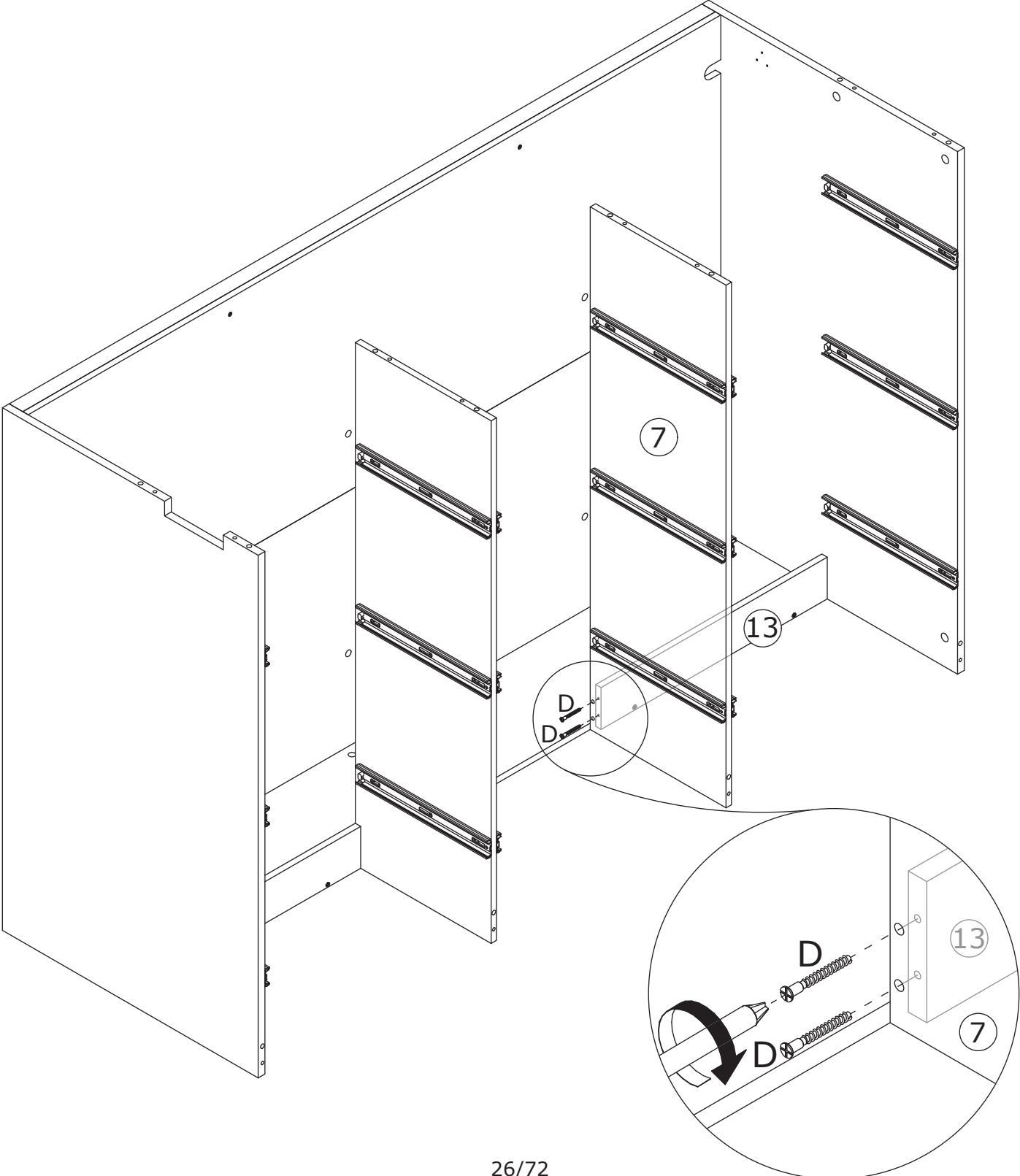


19

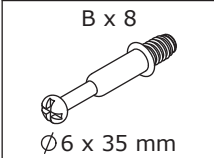
D x 2  
Ø5 x 40 mm



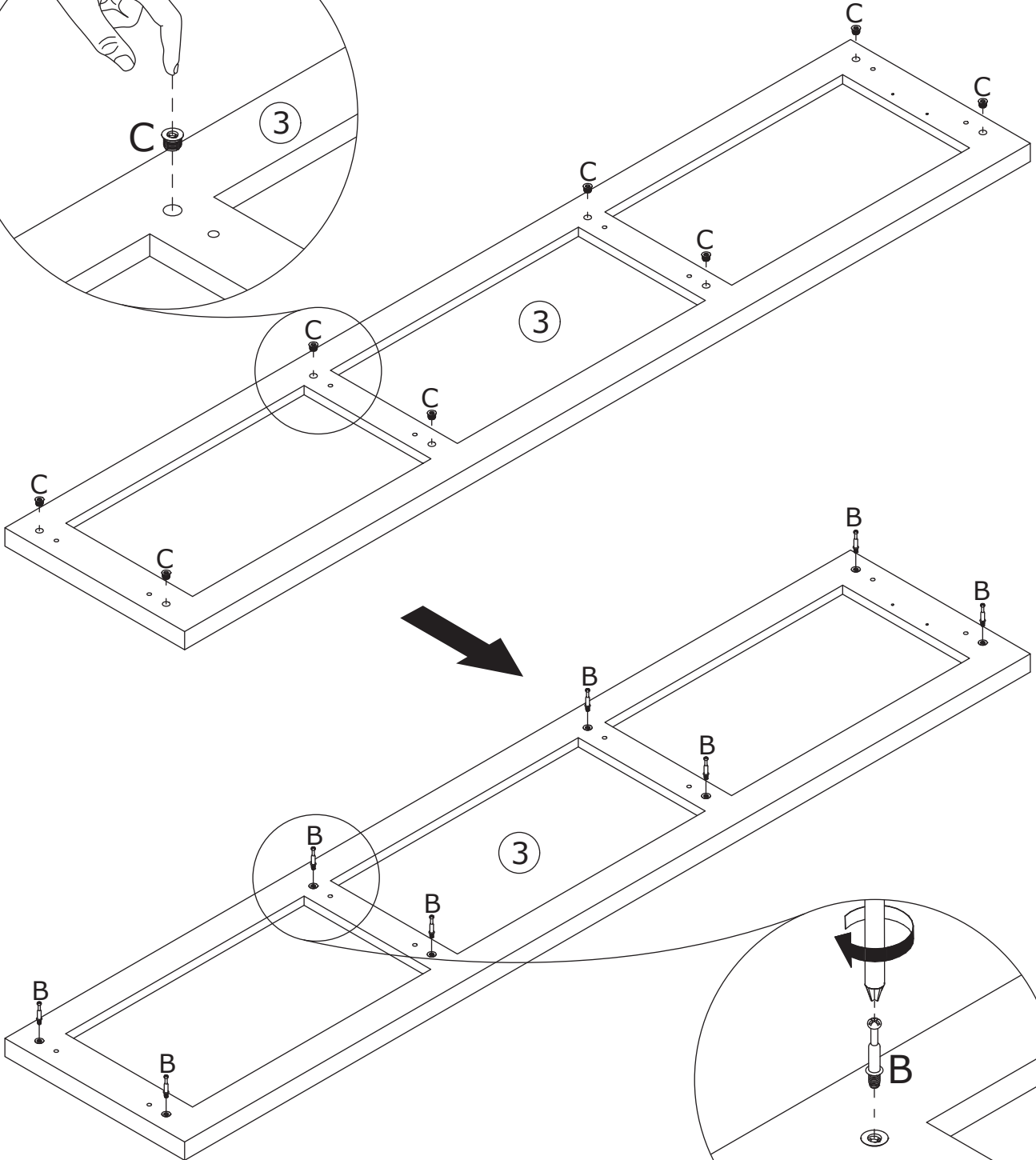
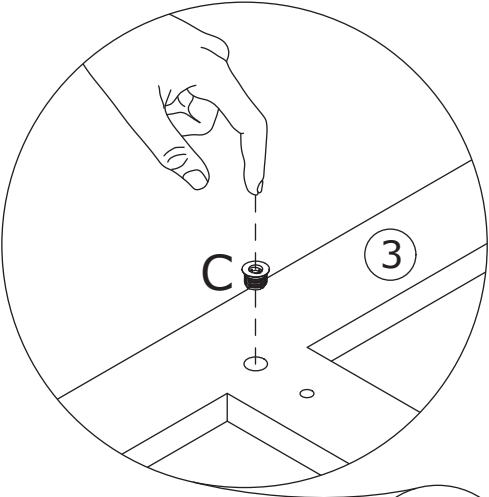
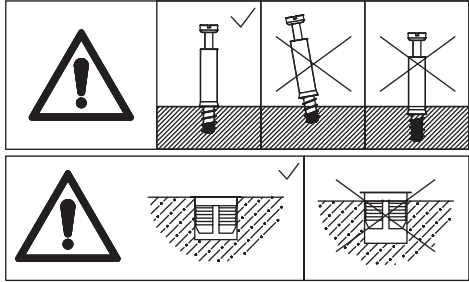
Connect board 7 to board 13 using screw D.



20

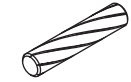


Place plastic insert C into board 3.  
Screw eccentric rod B into the plastic insert C in board 3.



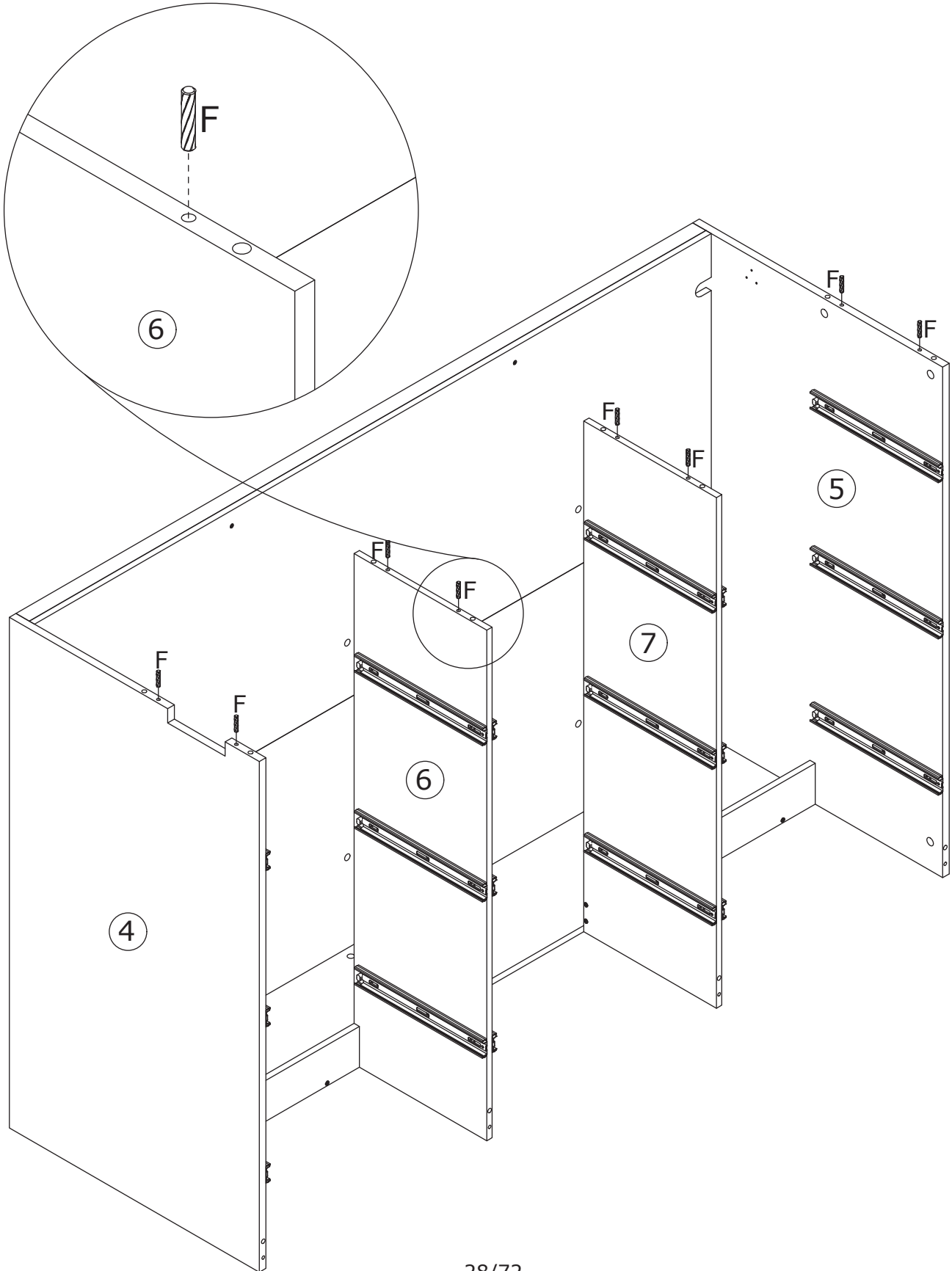
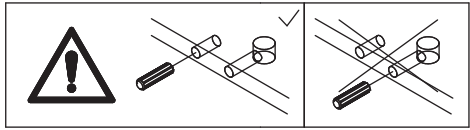
21

F x 8  
Ø6 x 30 mm



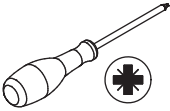
Ø6 x 30 mm

Insert dowel F into boards 4, 5, 6, and 7.

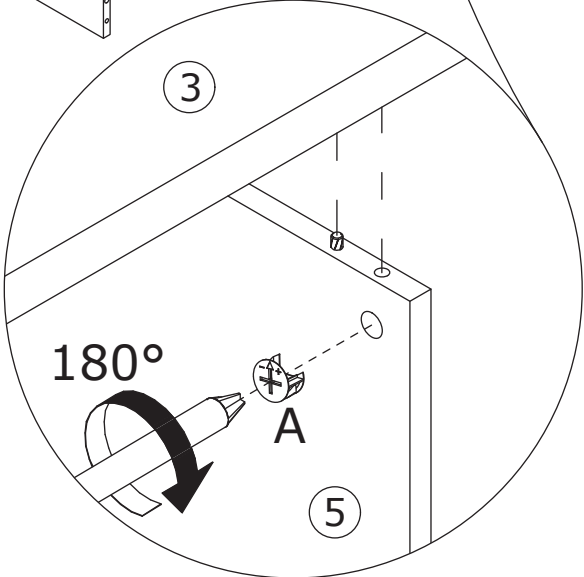
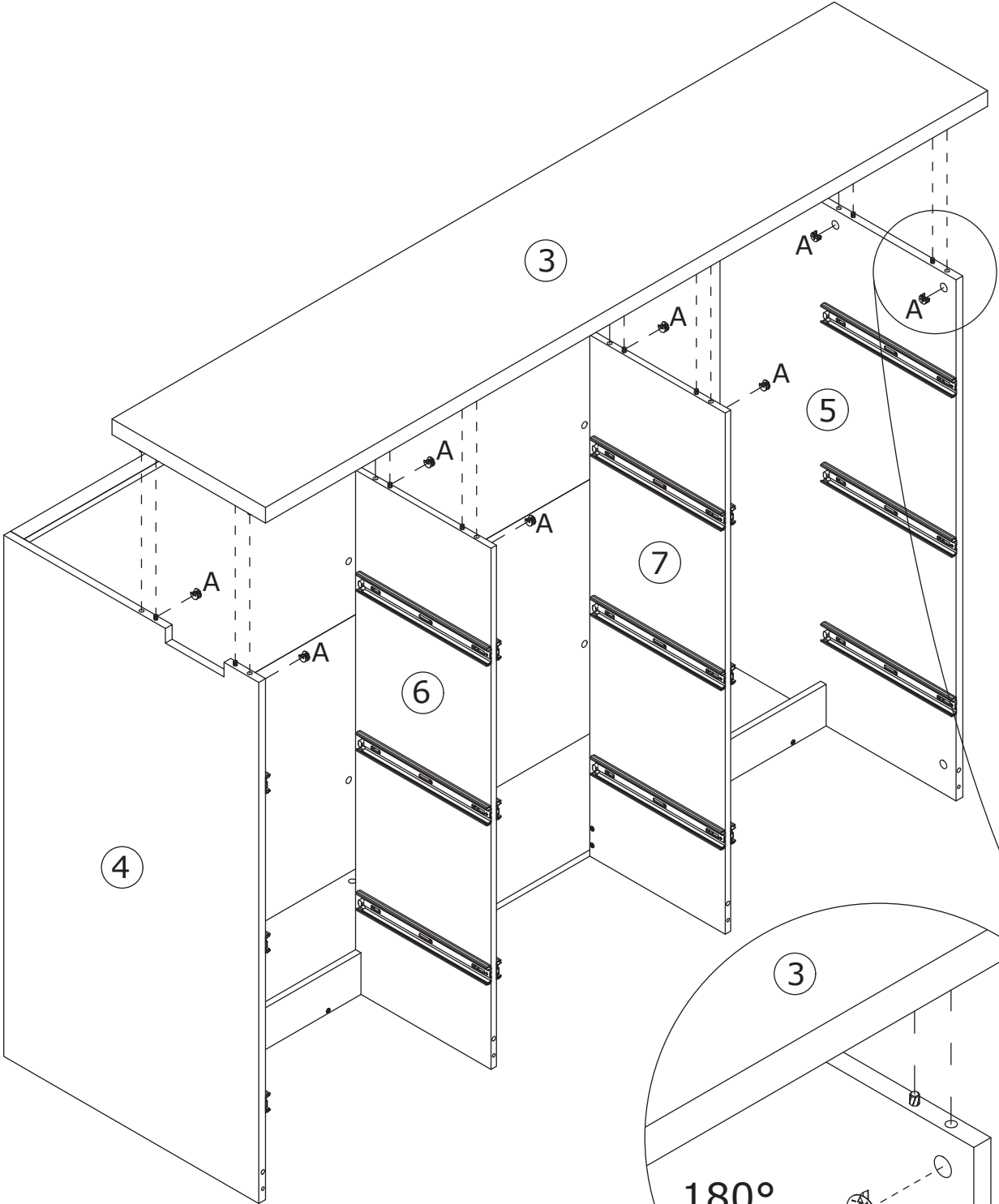
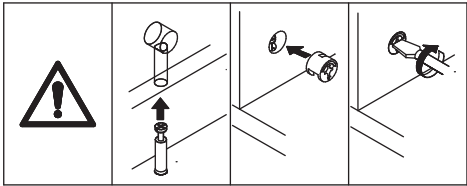


22

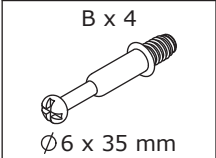
A x 8  
Ø15 x 10 mm



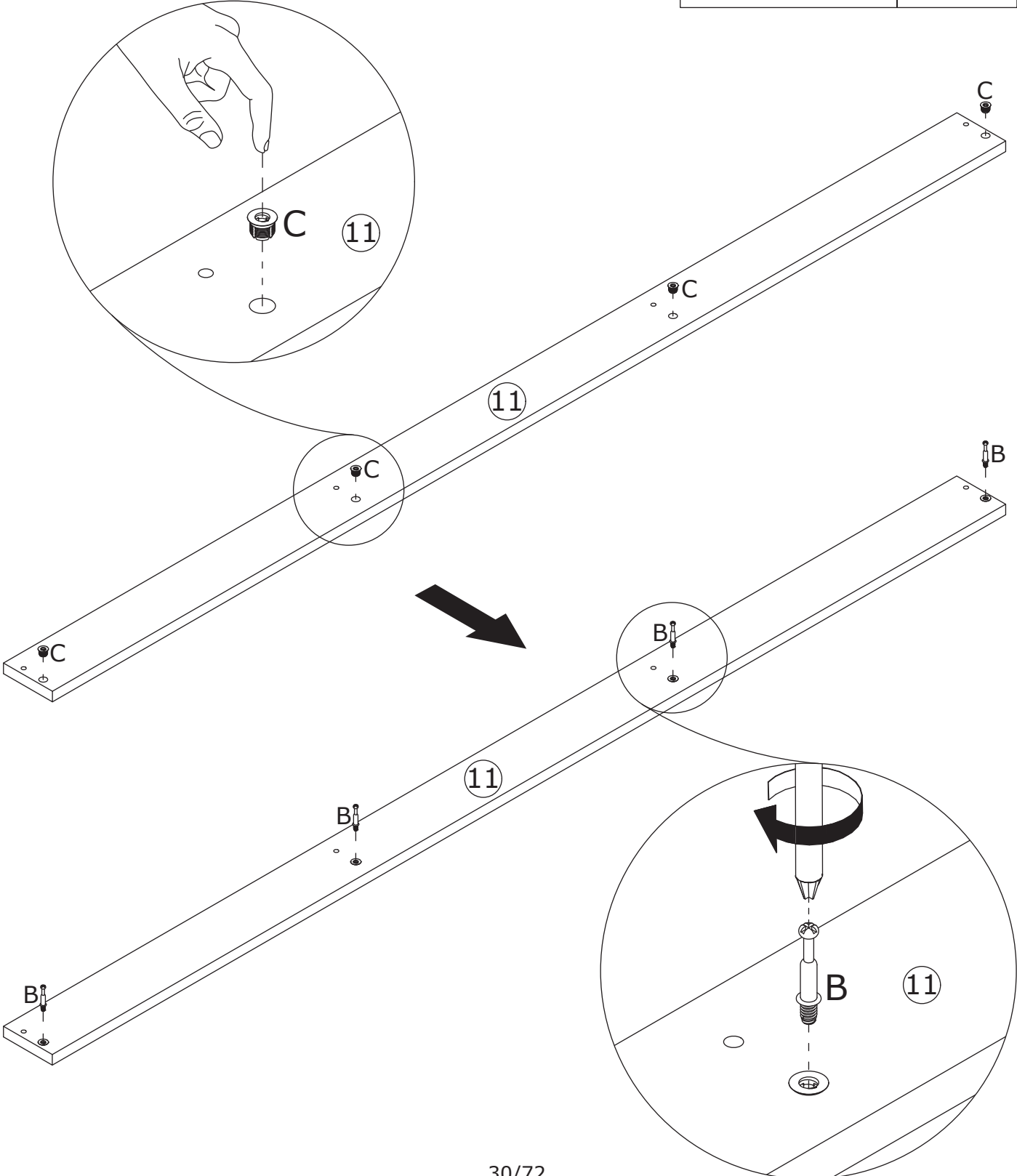
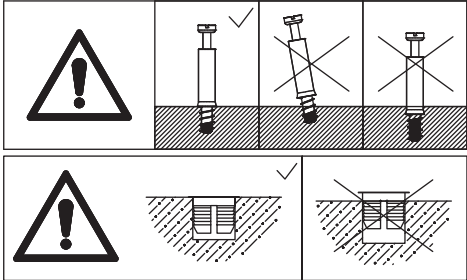
Connect board 3 to boards 4, 5, 6, and 7 and lock by rotating eccentric cam A clockwise.



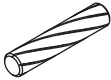
23

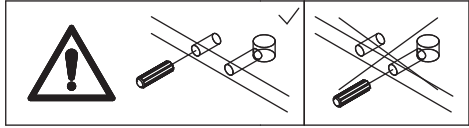


Place plastic insert C into board 11.  
Screw eccentric rod B into the plastic  
insert C in board 11.

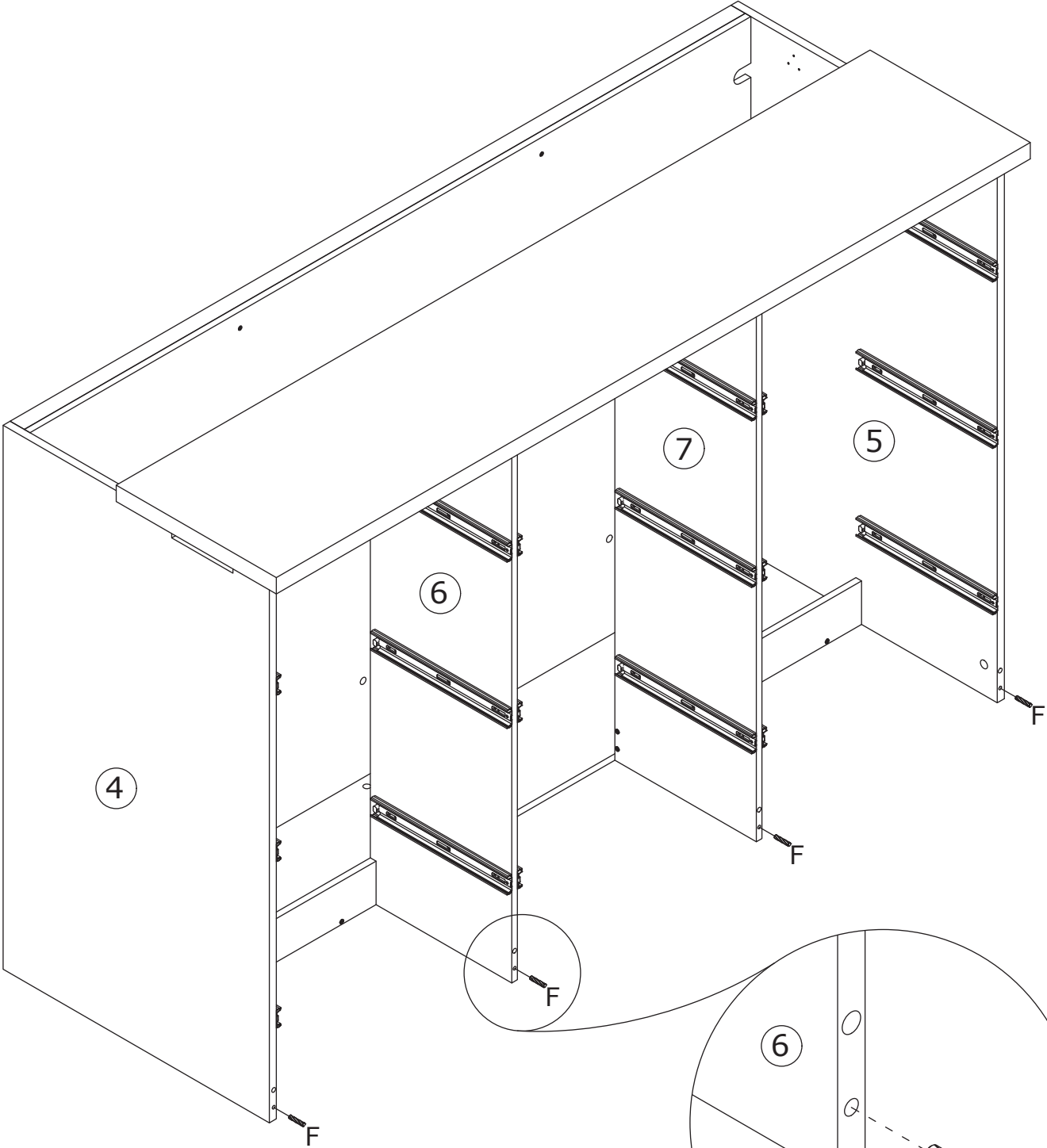


24

F x 4  
  
Ø6 x 30 mm

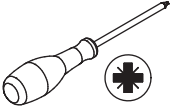


Insert dowel F into boards 4, 5, 6, and 7.

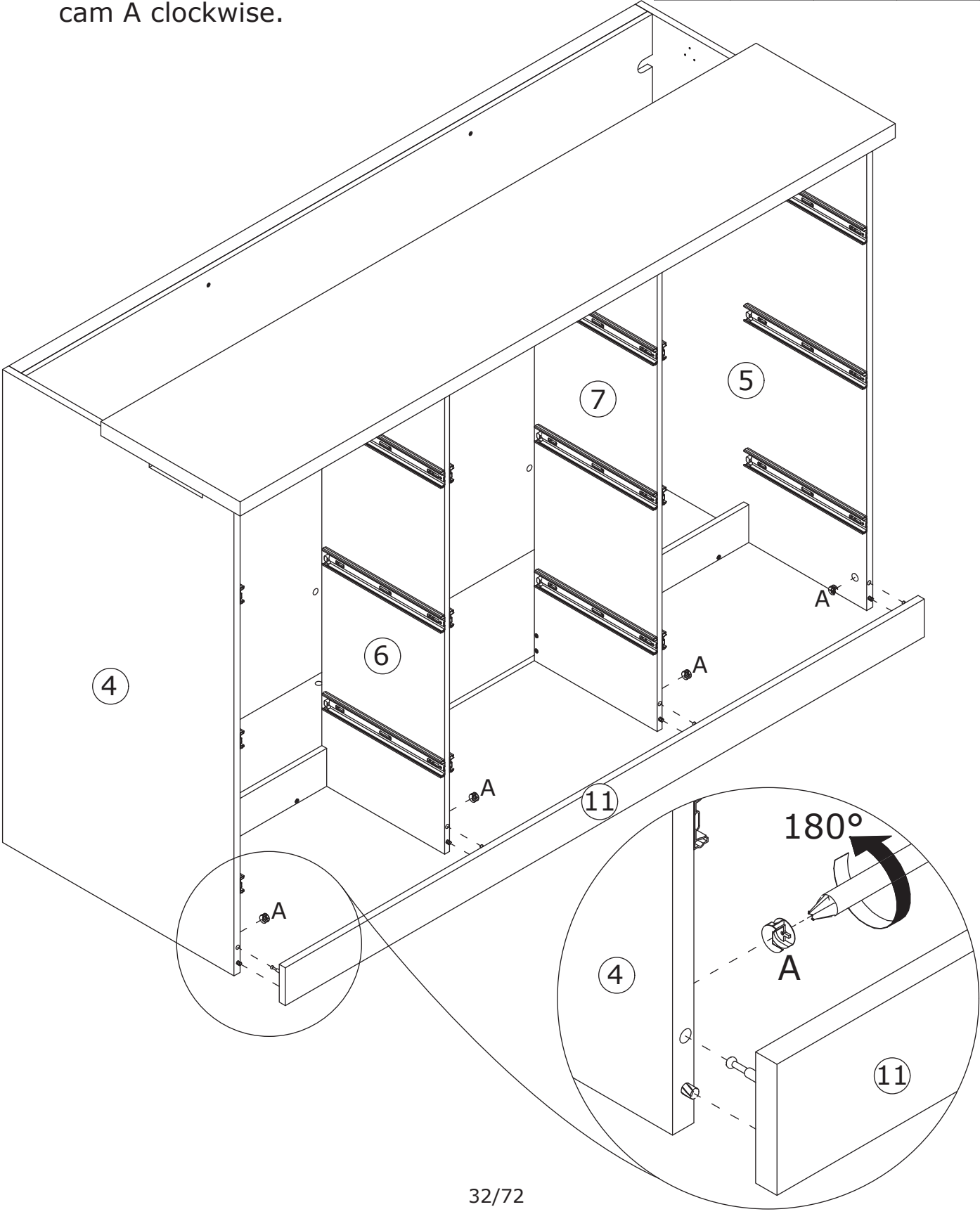
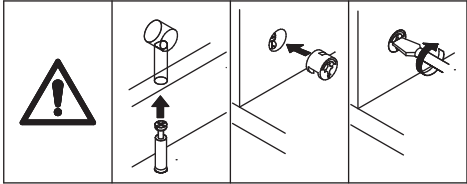


25

A x 4  
Ø 15 x 10 mm

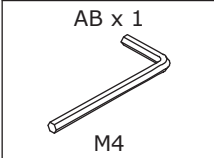


Connect board 11 to boards 4, 5, 6, and 7 and lock by rotating eccentric cam A clockwise.

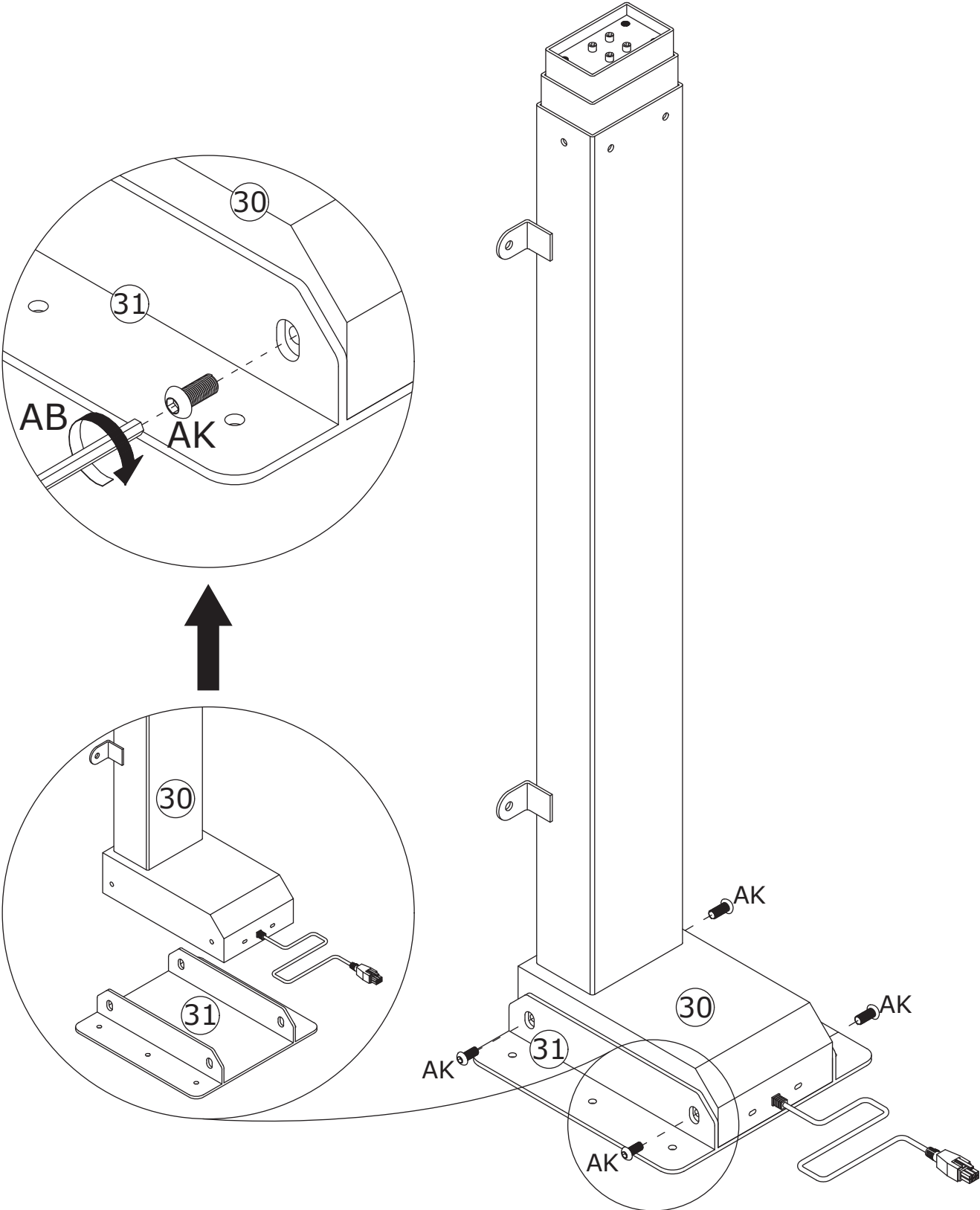




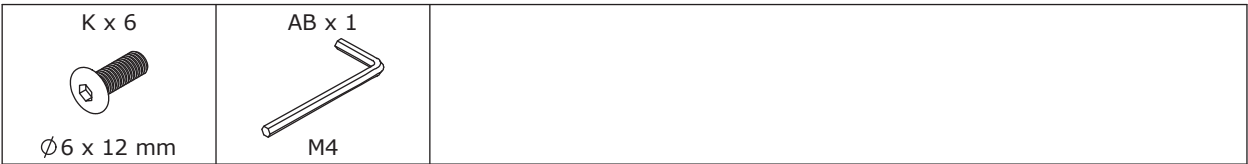
26



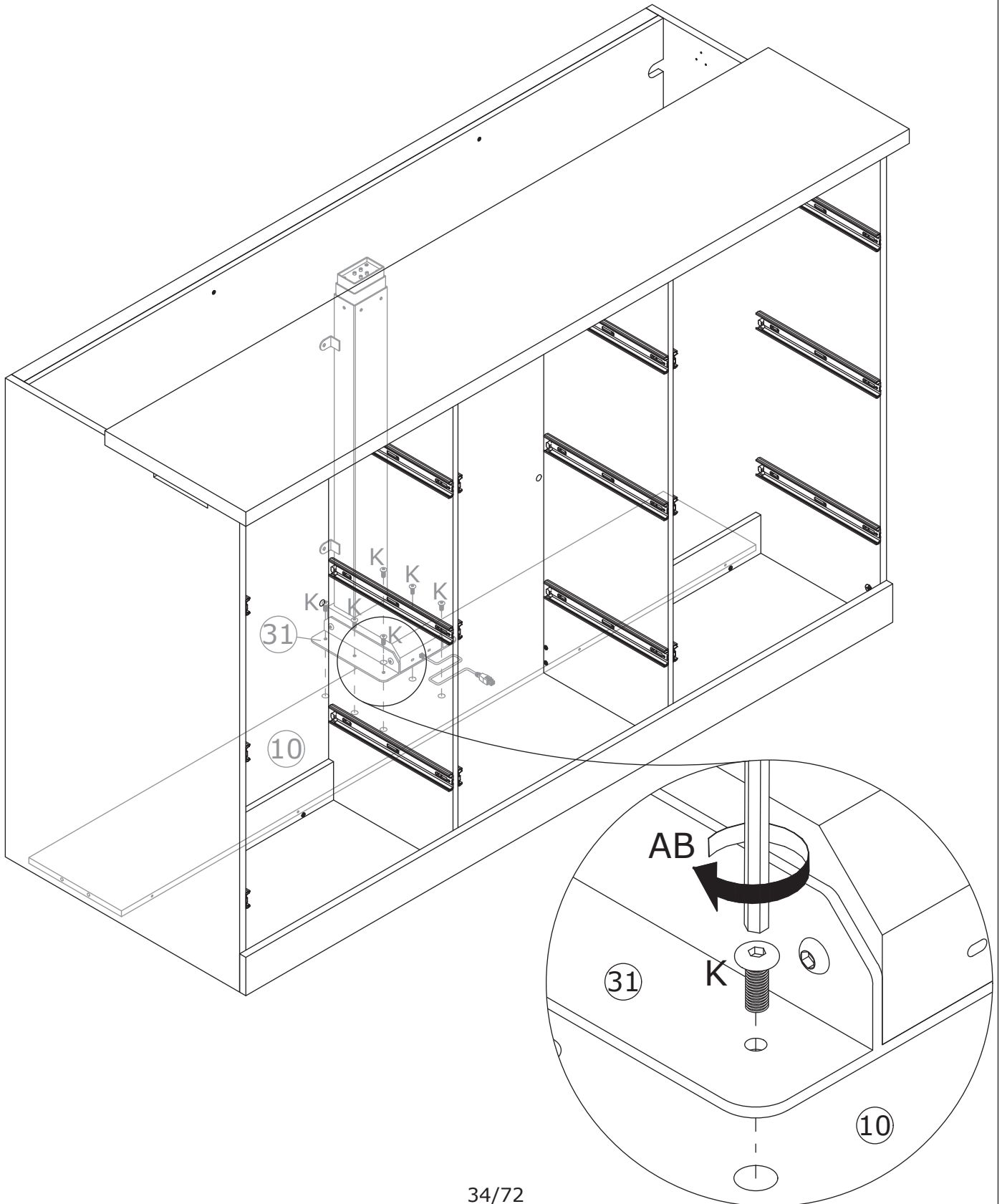
Use wrench AB to screw AK through iron part 31 into iron part 30.



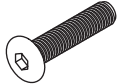

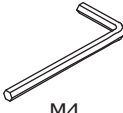
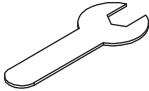
27



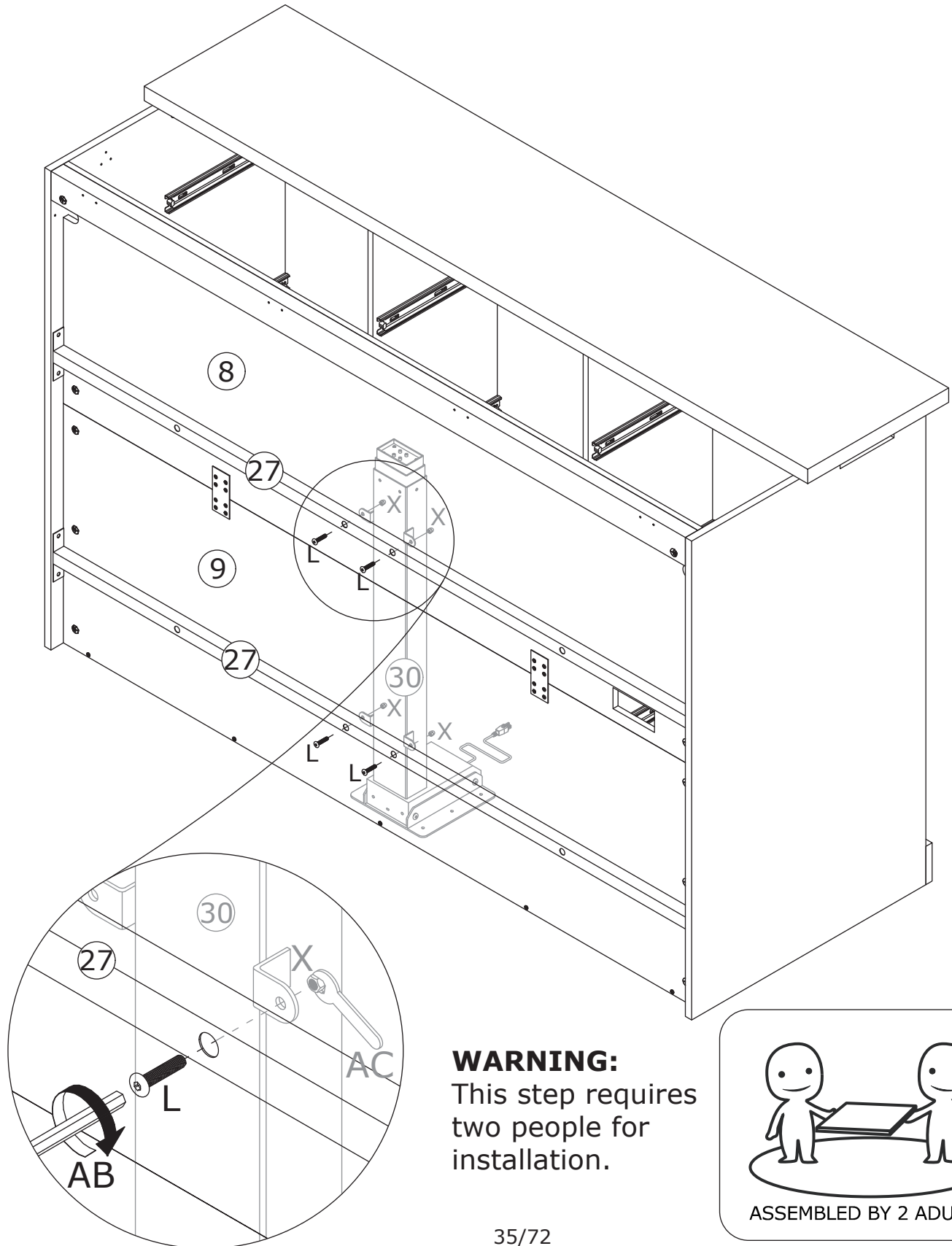
Secure part 31 to board 10 using wrench AB and screw K.



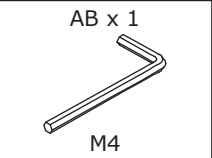
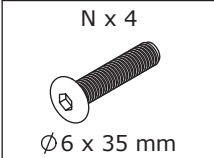
28

<p>L x 4</p>  <p>Ø6 x 45 mm</p>	<p>X x 4</p> 	<p>AB x 1</p>  <p>M4</p>	<p>AC x 1</p> 	
--	--	---	--	--

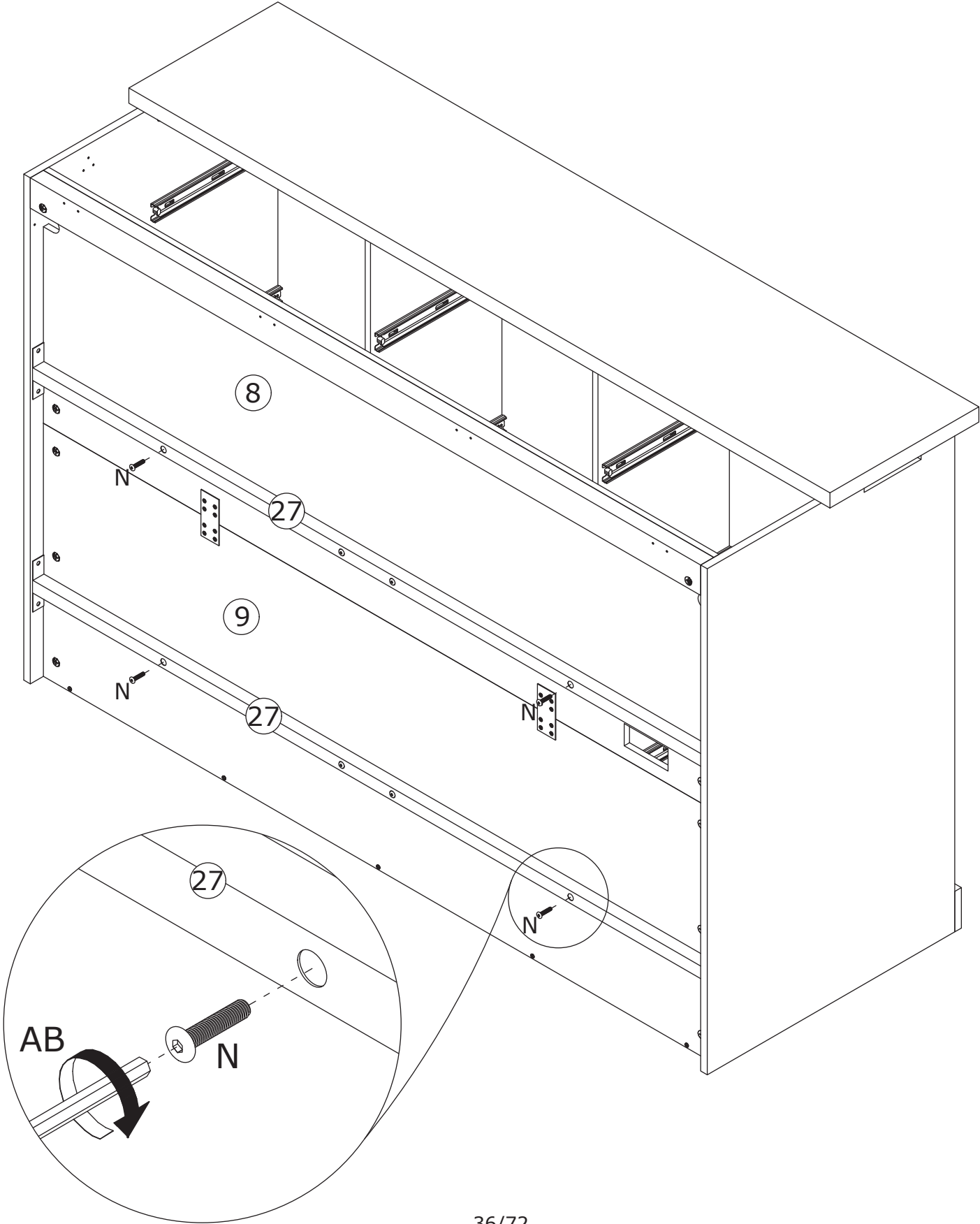
Use wrench AB to screw L through iron bar 27, board 8, and iron part 30 into nut X, and tighten nut X with wrench AC. Use wrench AB to screw L through iron bar 27, board 9, and iron part 30 into nut X, and tighten nut X with wrench AC.



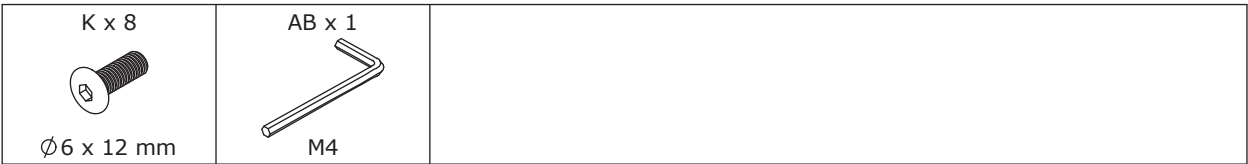
29



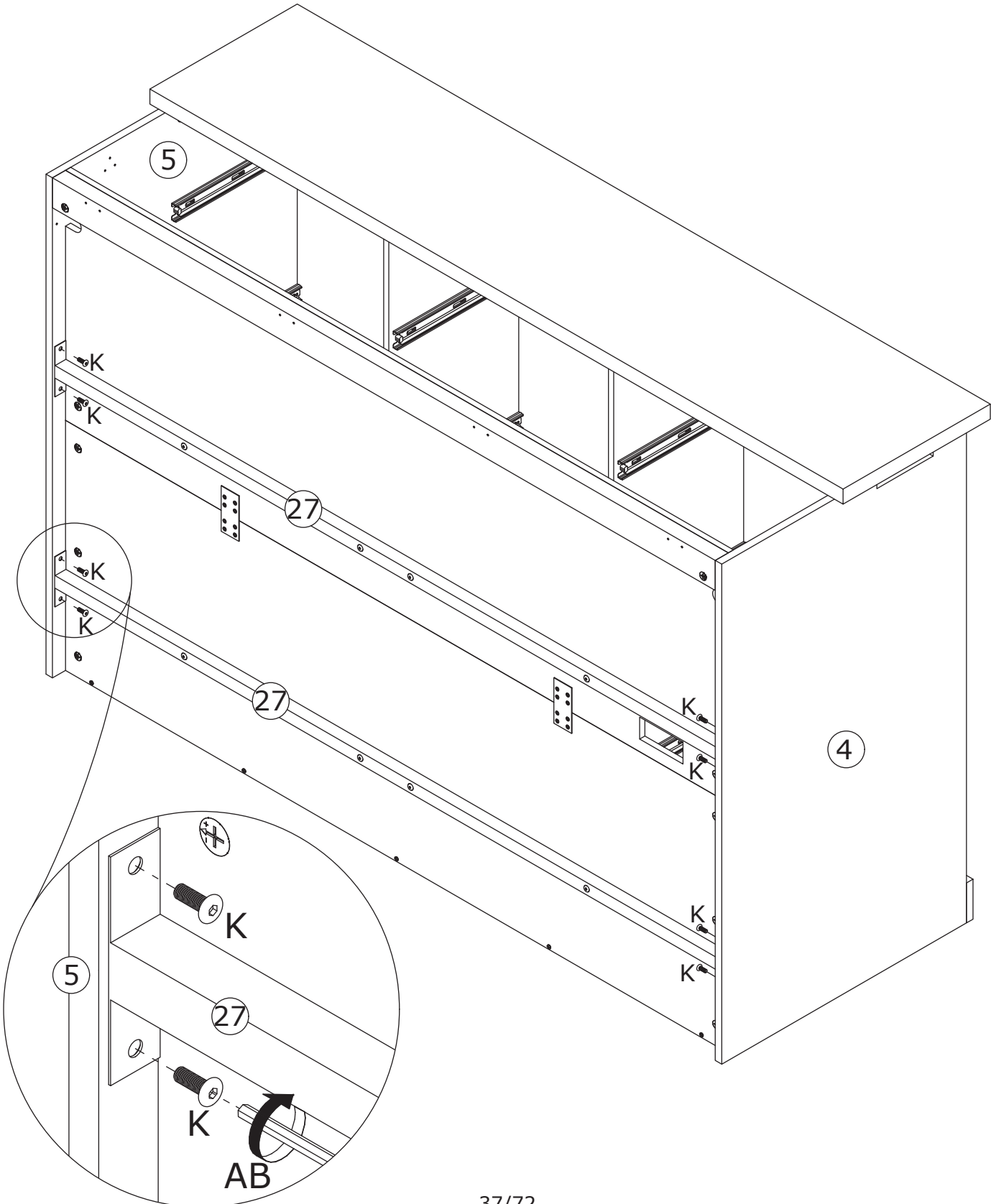
Use wrench AB to screw N through iron bar 27 into boards 8 and 9.



30



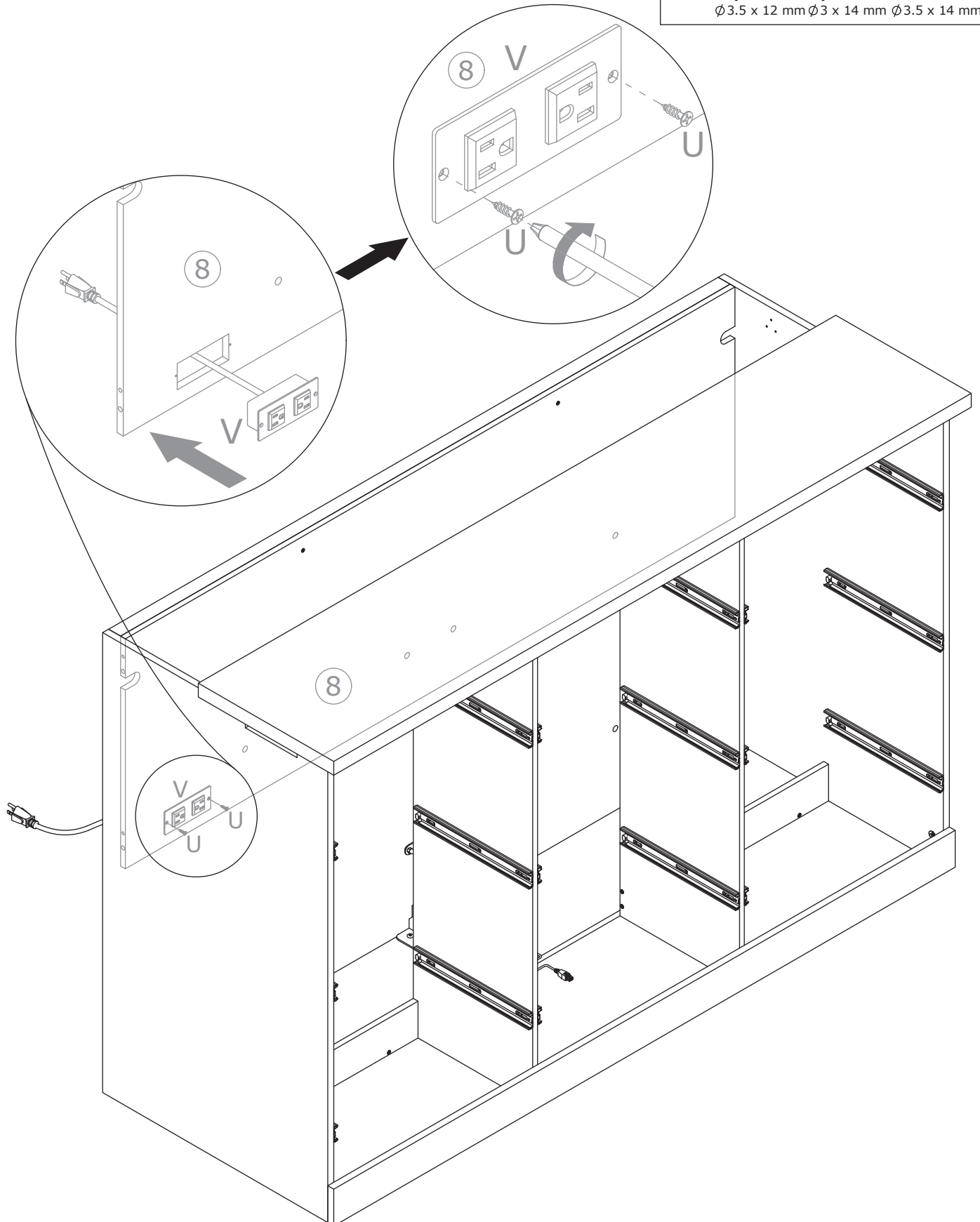
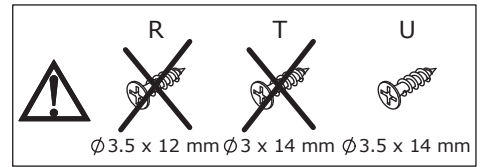
Use wrench AB to screw K through iron bar 27 into boards 4 and 5.



31

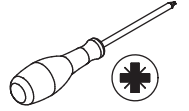
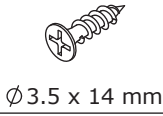


Secure socket V to board 8 using screw U.

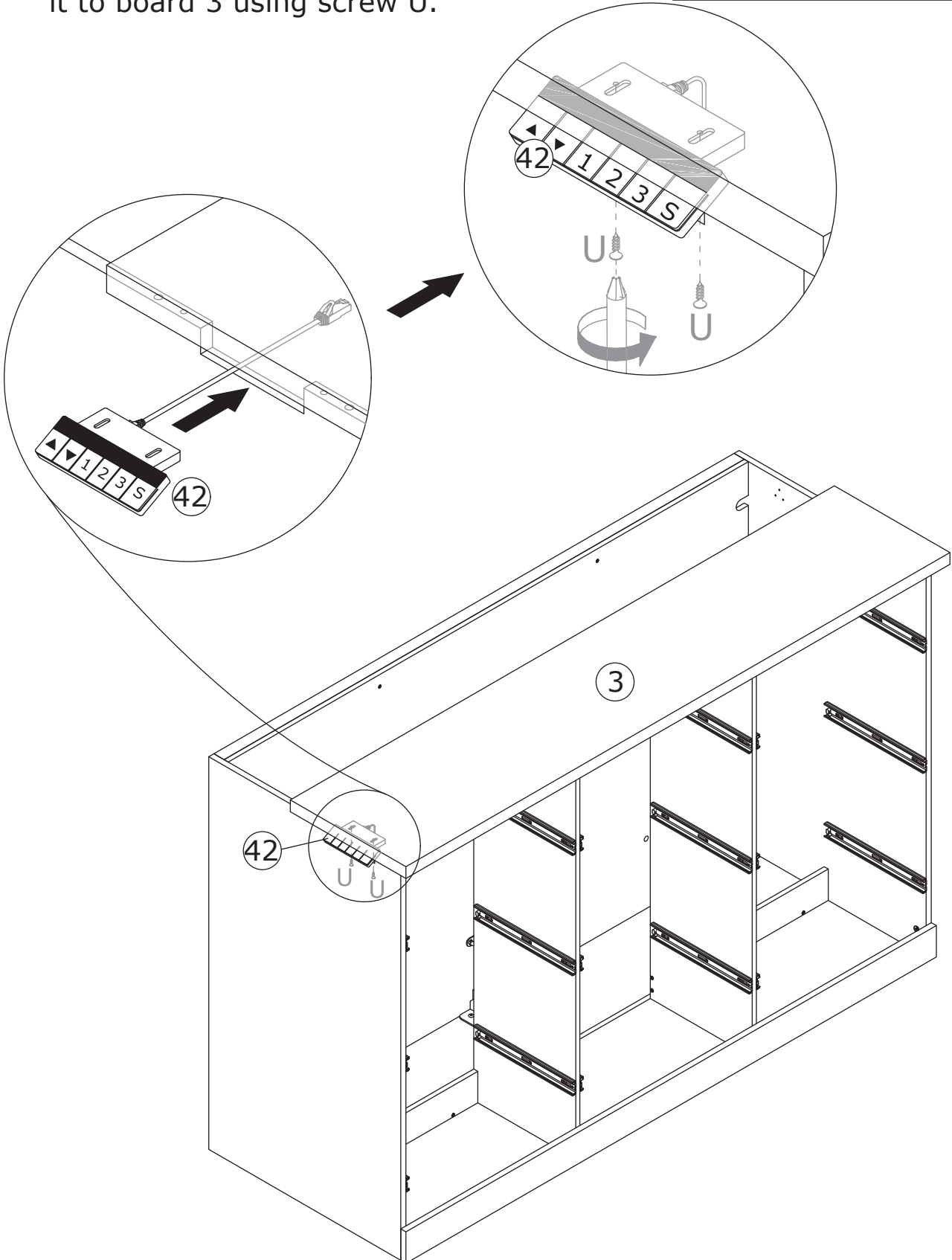
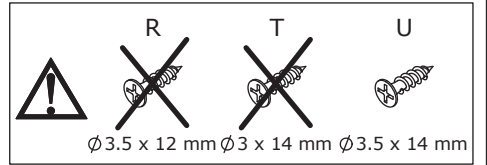


32

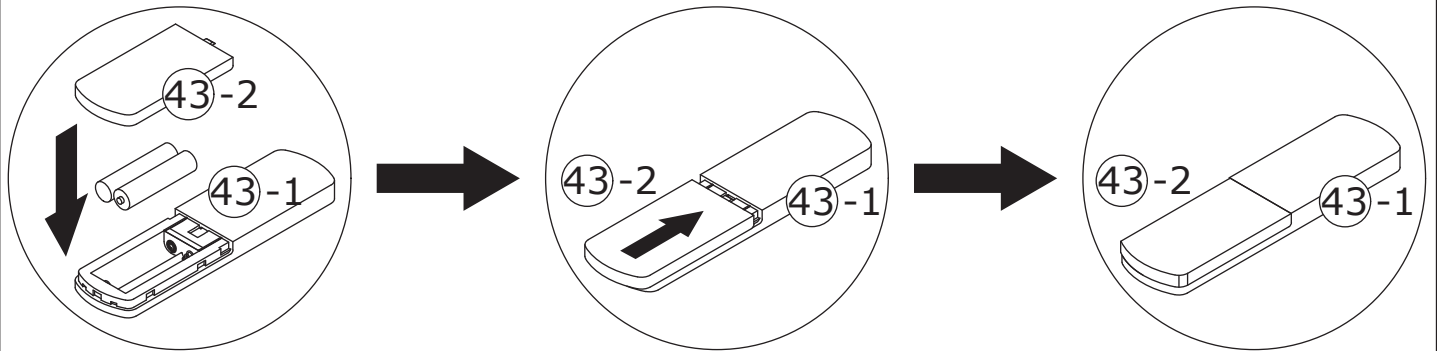
U x 2



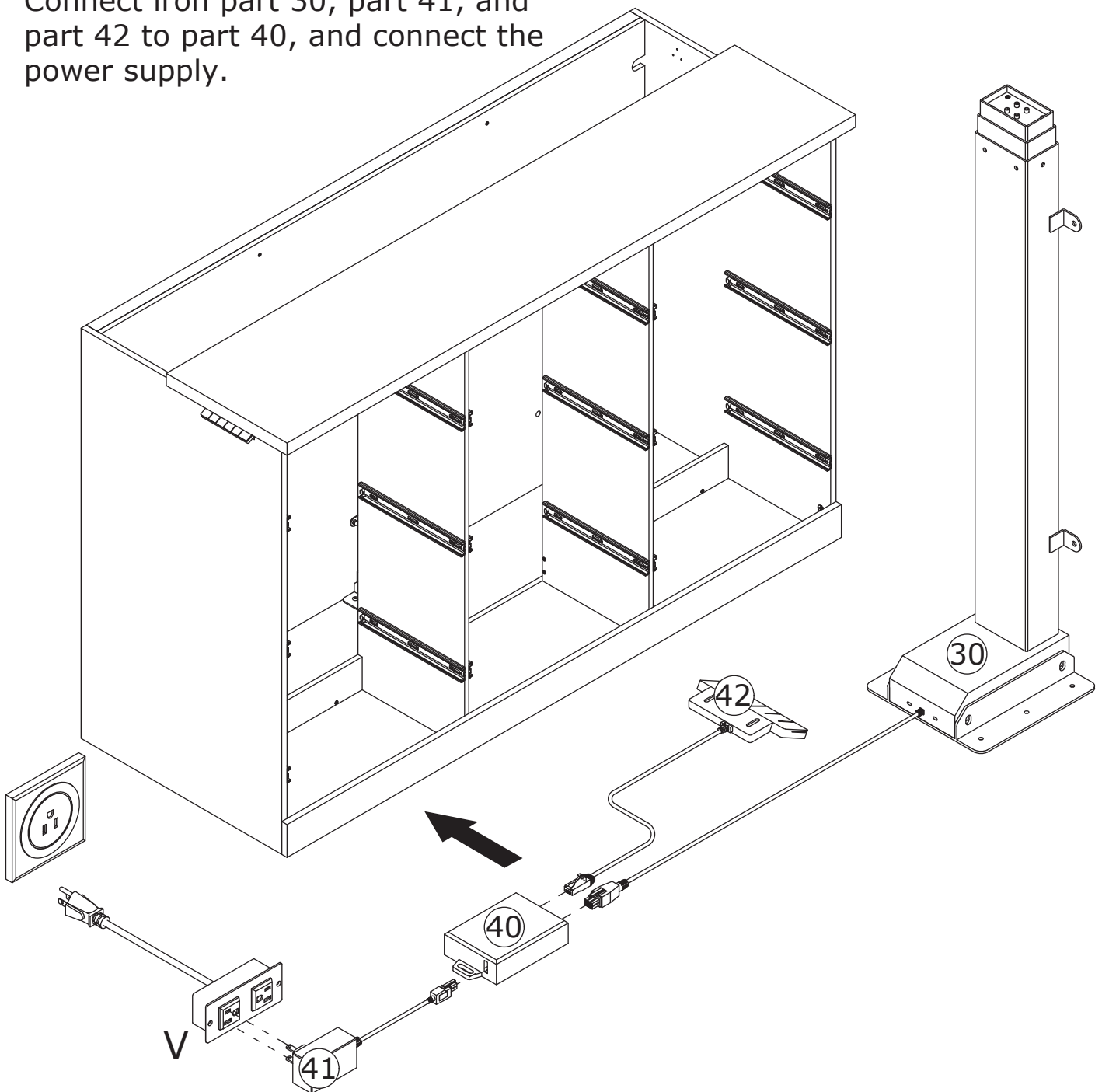
Place accessory 42 and secure it to board 3 using screw U.



33



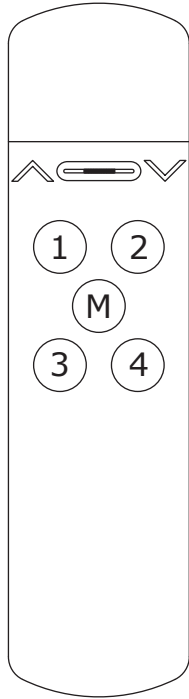
Connect iron part 30, part 41, and part 42 to part 40, and connect the power supply.



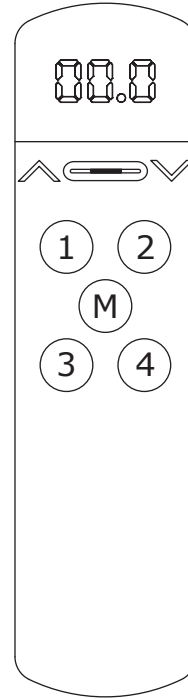


# Pairing Instructions:

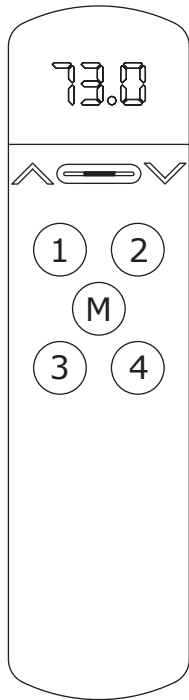
**This product is pre-paired at the factory.**



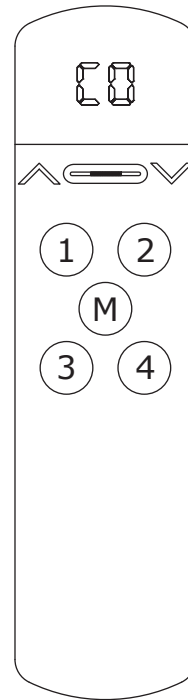
Press and hold button (M) and button (4) simultaneously for 5 seconds.



After the display screen flashes, release it and connect component (41) to component (V).

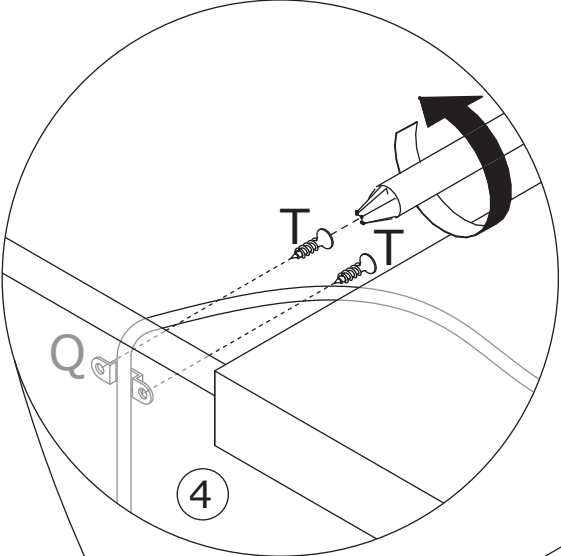
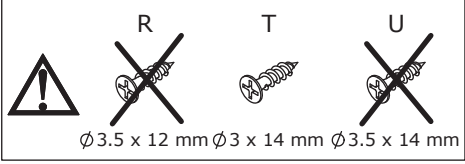
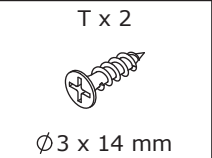
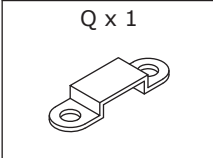


When the display shows "73.0", it is ready for use.

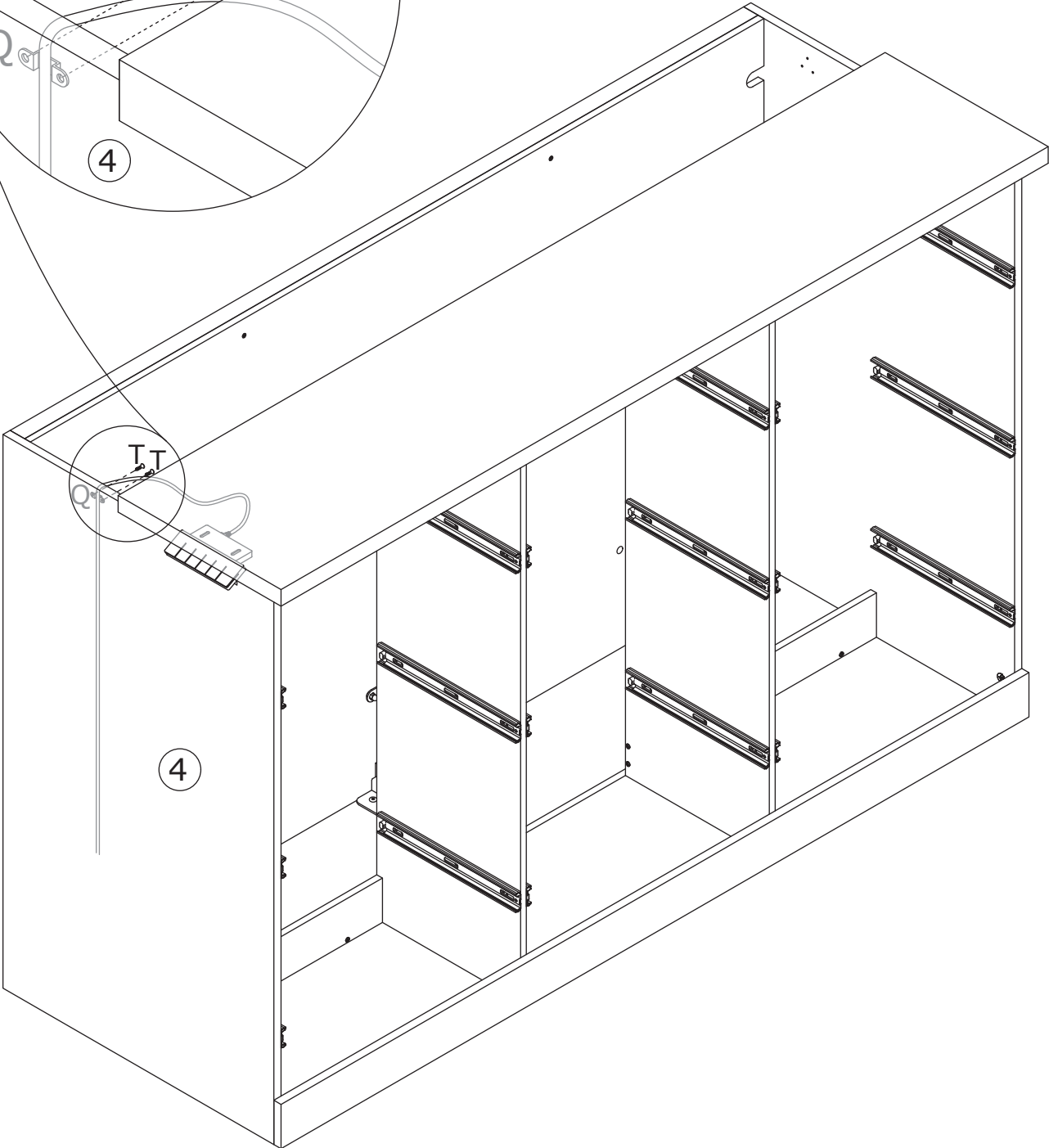


Display showing "CO" indicates pairing is successful.

35



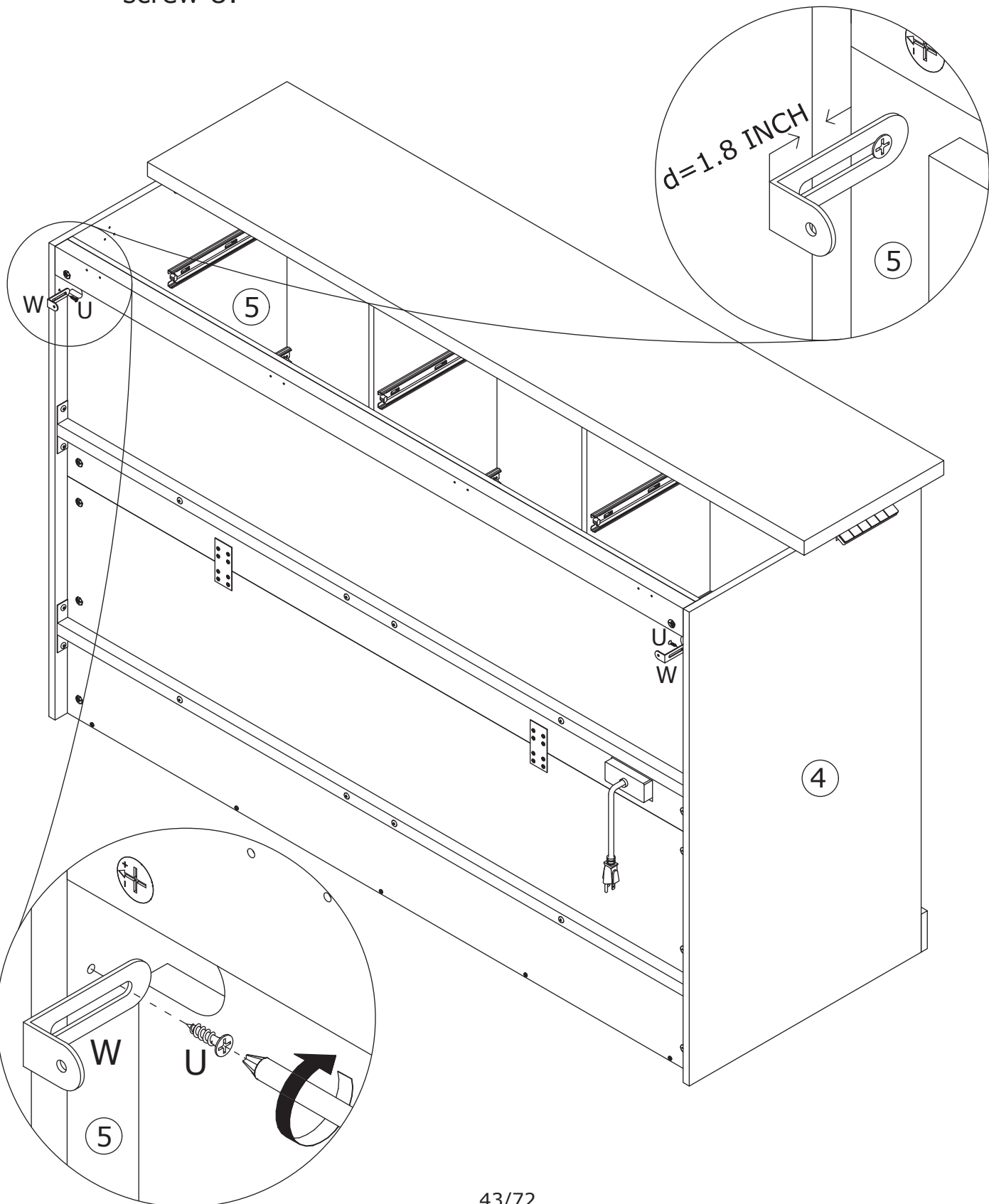
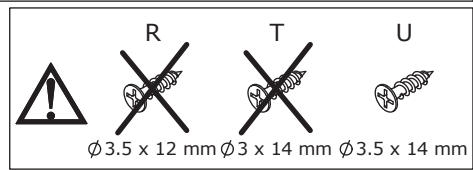
Secure part Q and the power cable of accessory 42 to board 4 using screw T.



36

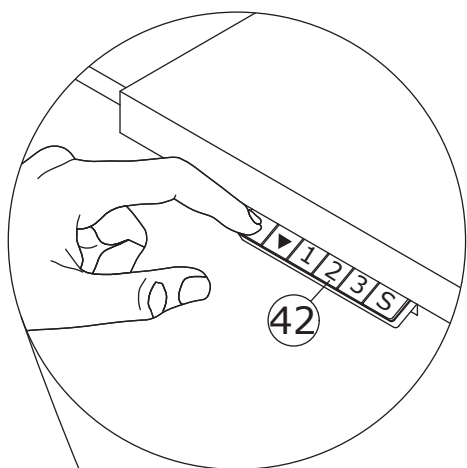


Secure anti-tip bracket W to boards 4 and 5 using screw U.

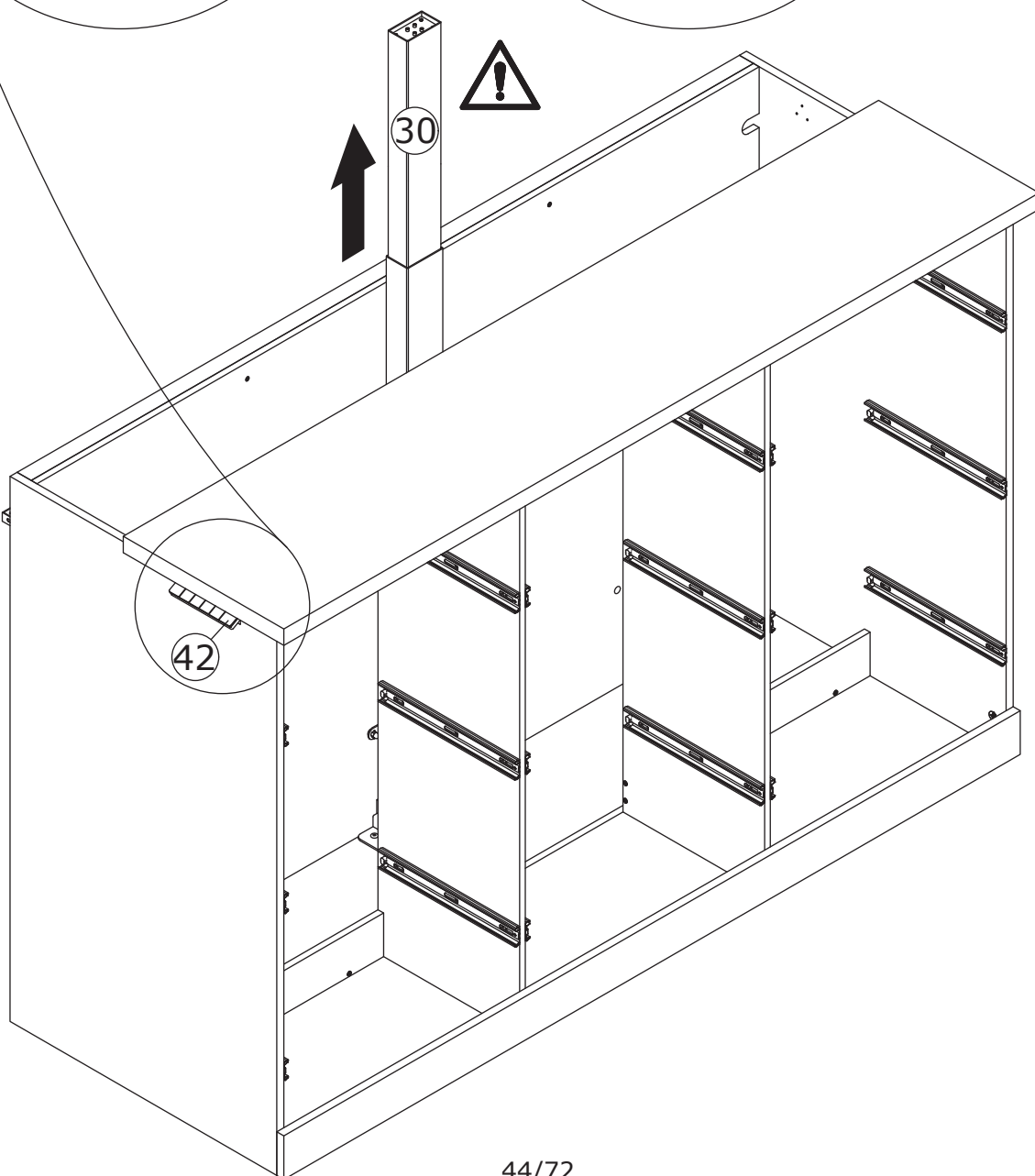
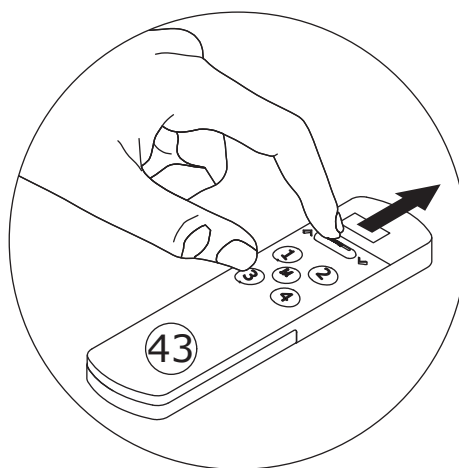


37

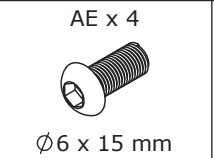
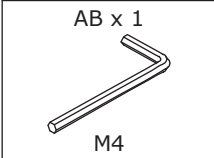
As shown in the figure, use part 42 or remote 43 to raise iron part 30 to a height of 47 (INCH).



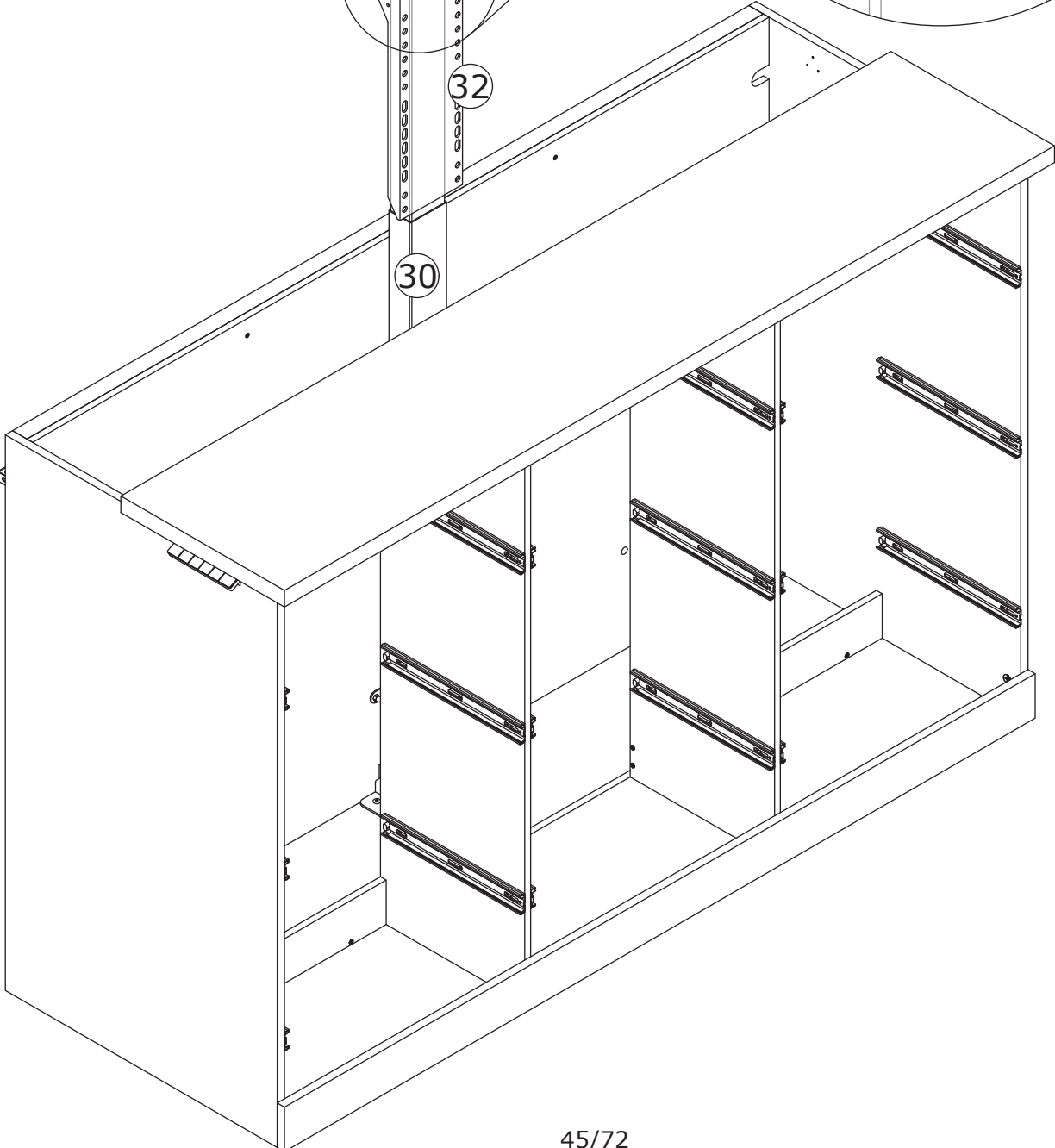
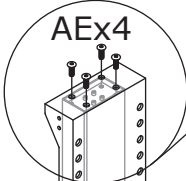
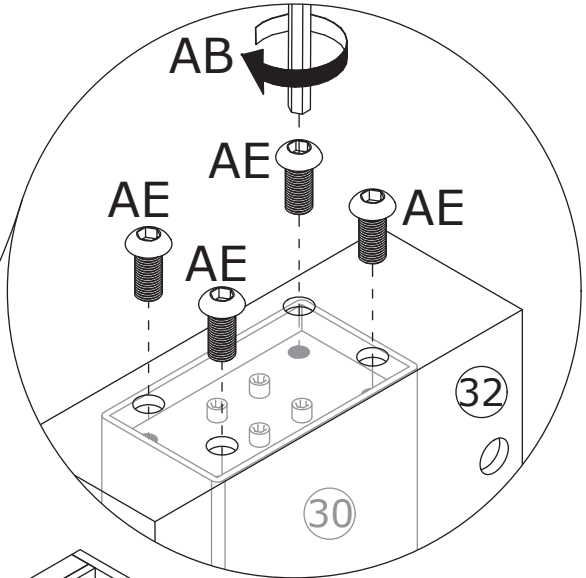
OR



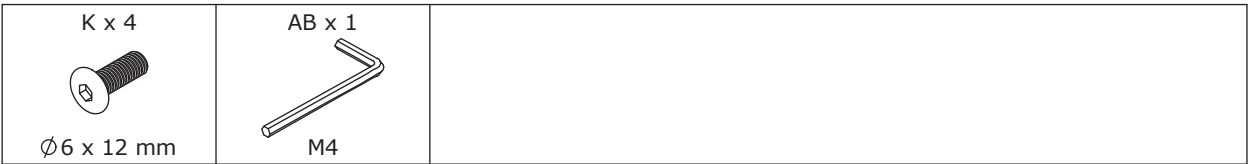
38



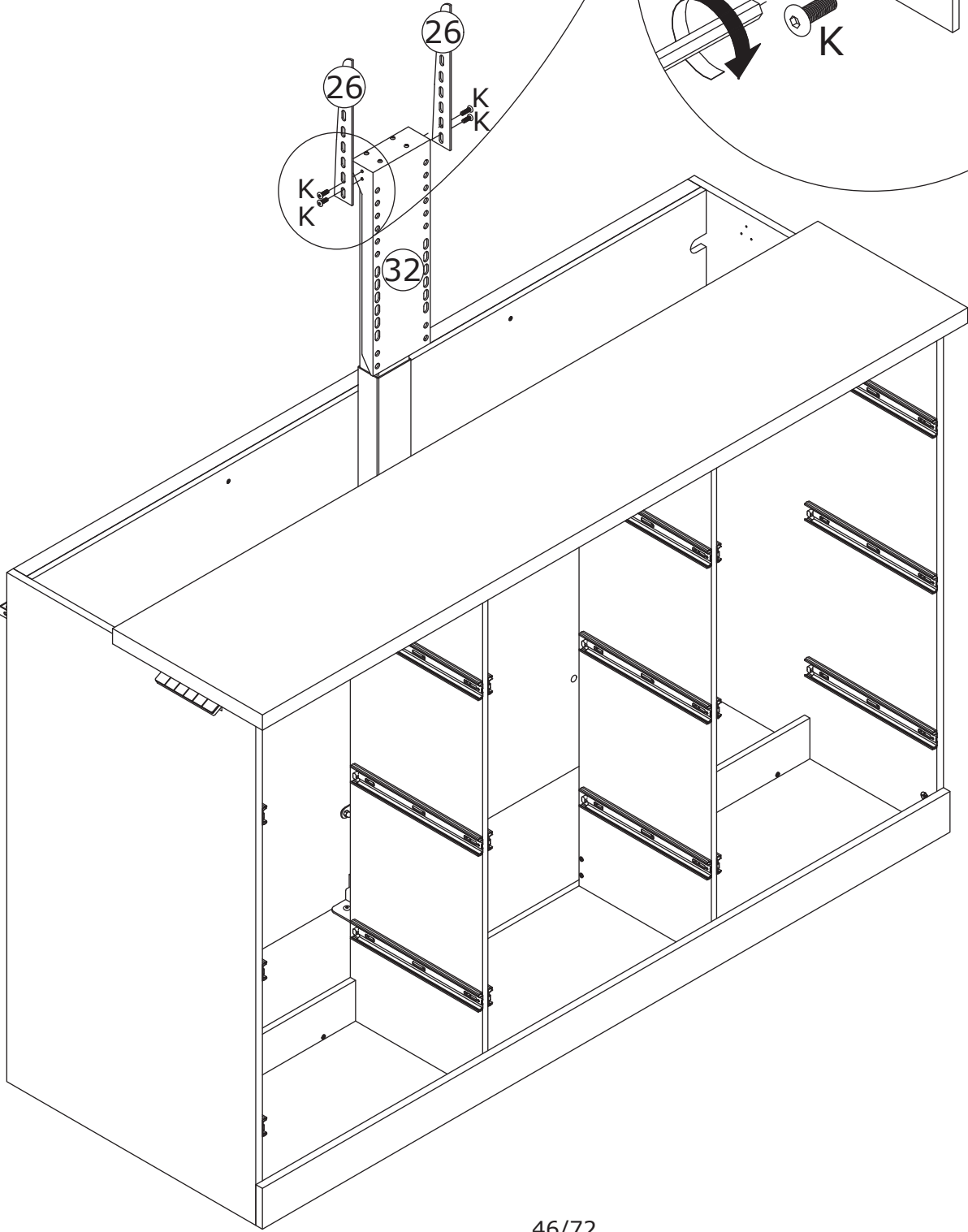
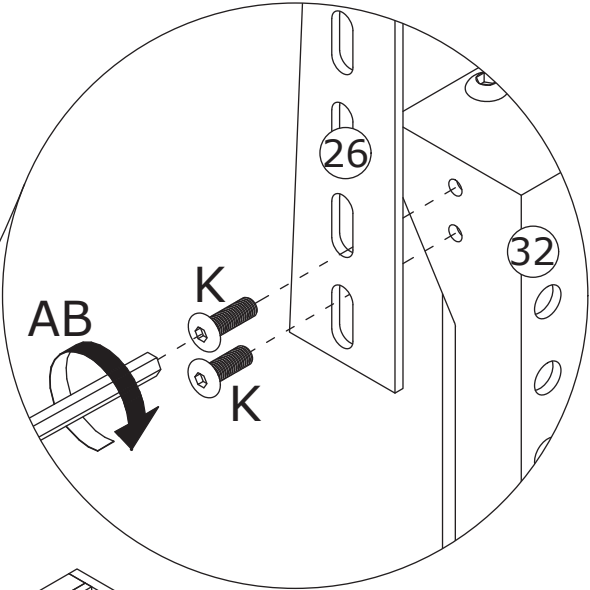
Secure iron part 32 to iron part 30 using wrench AB and screw AE.



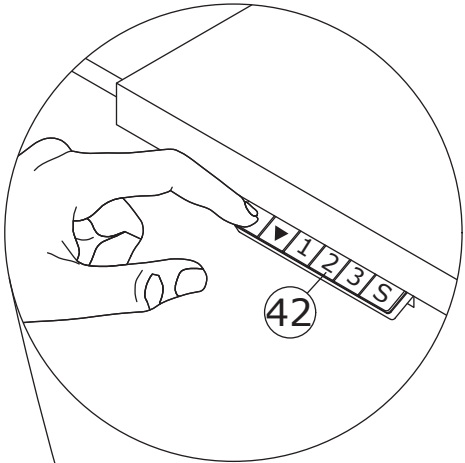
39



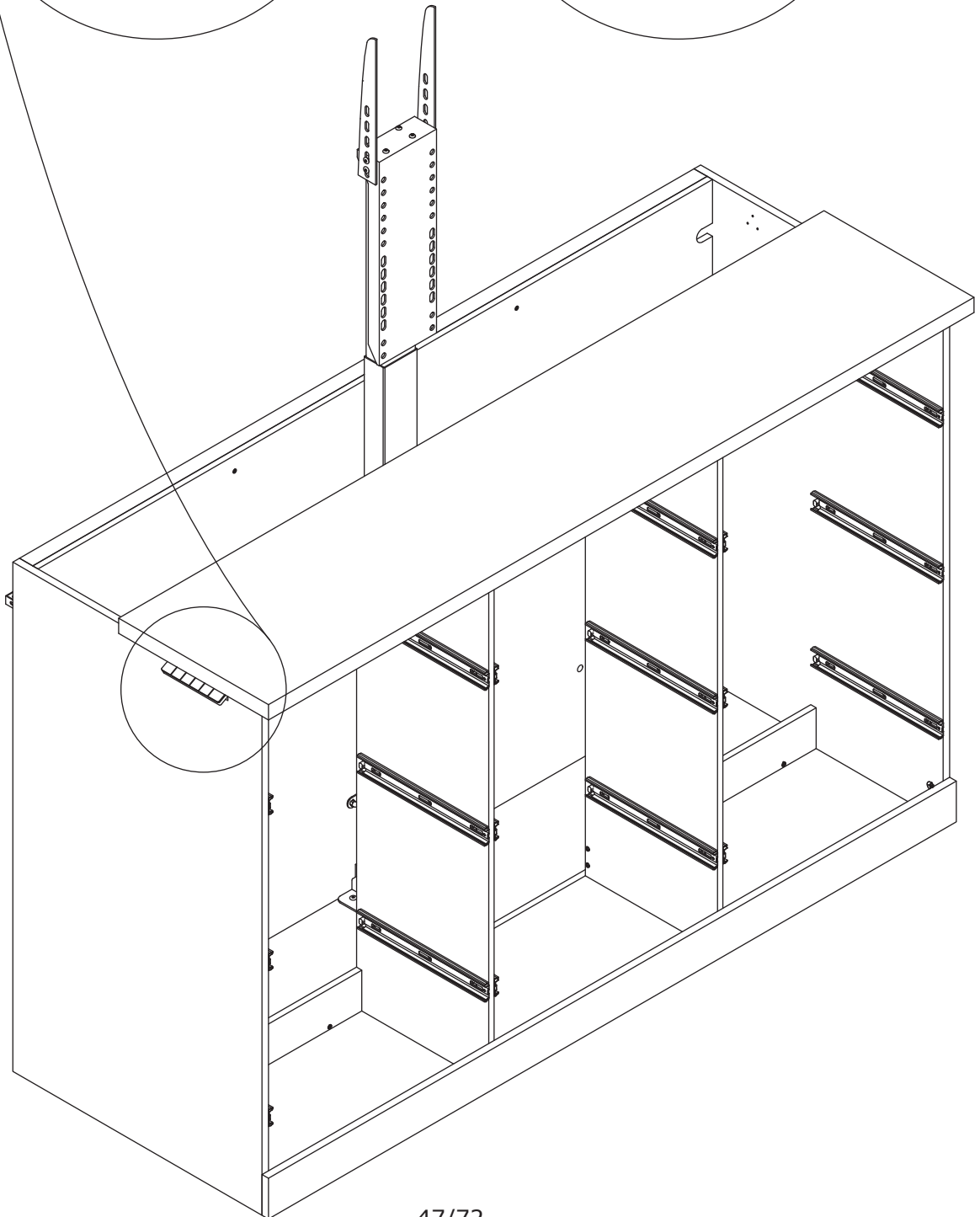
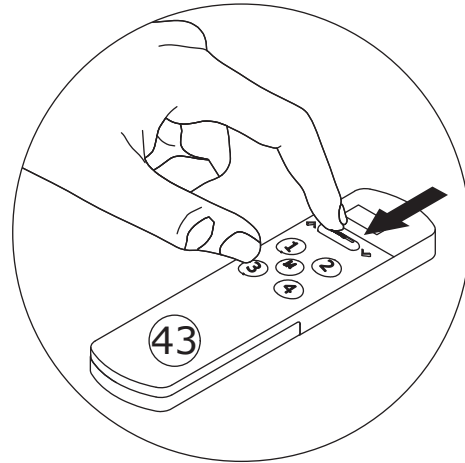
Secure iron part 26 to iron part 32 using wrench AB and screw K.



40



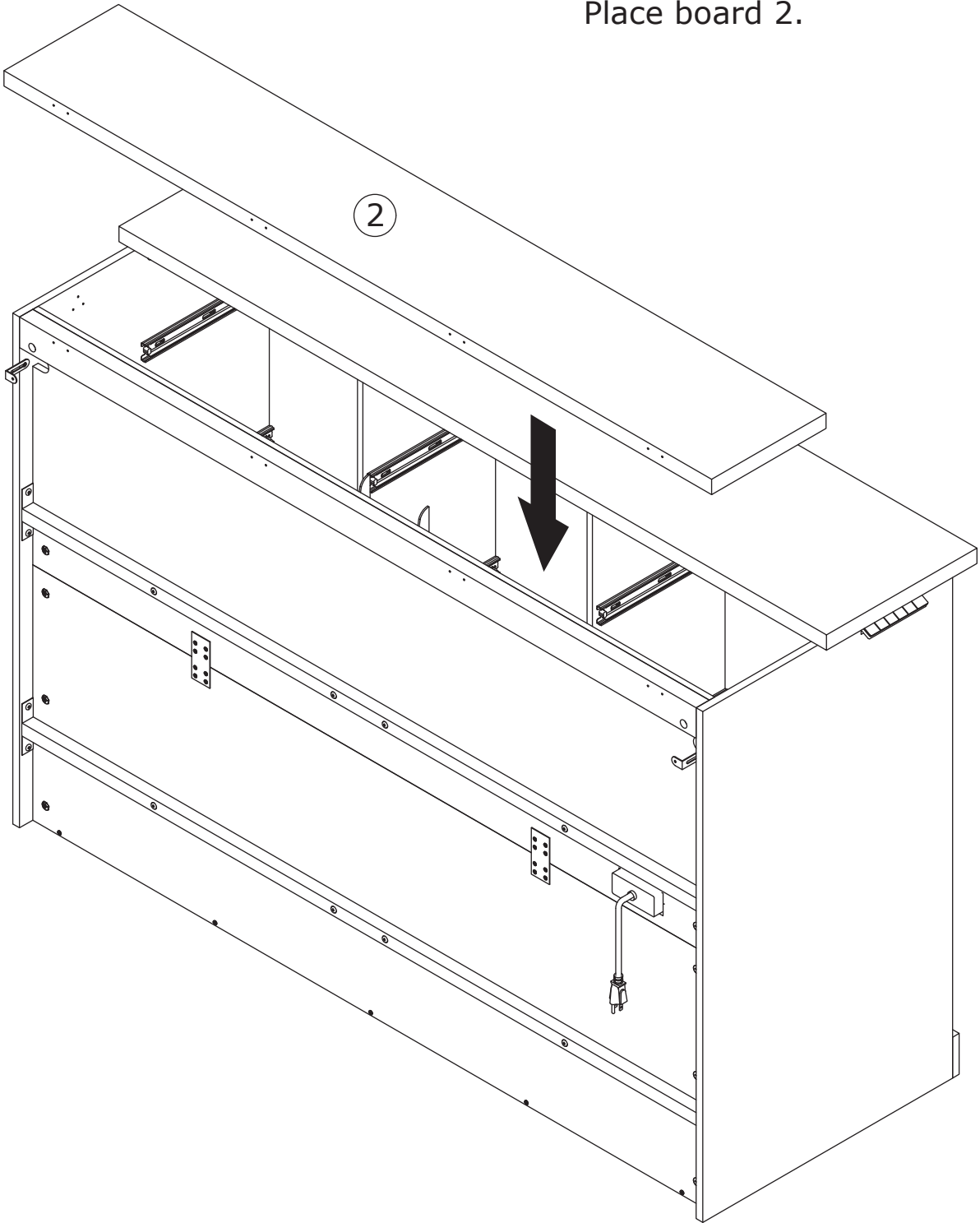
OR



41

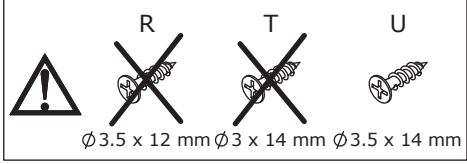
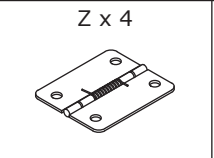
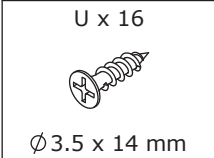


Place board 2.

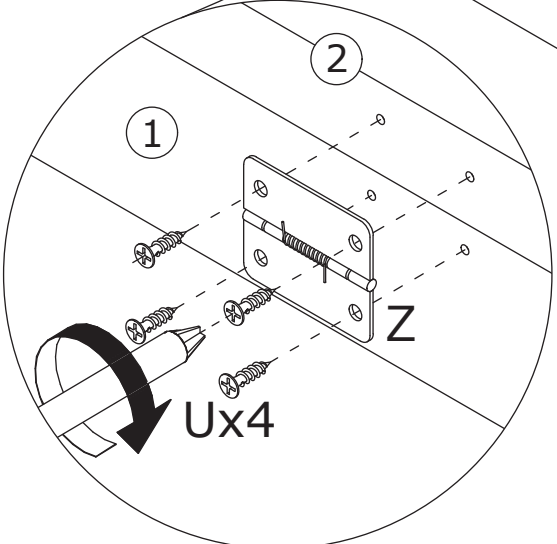
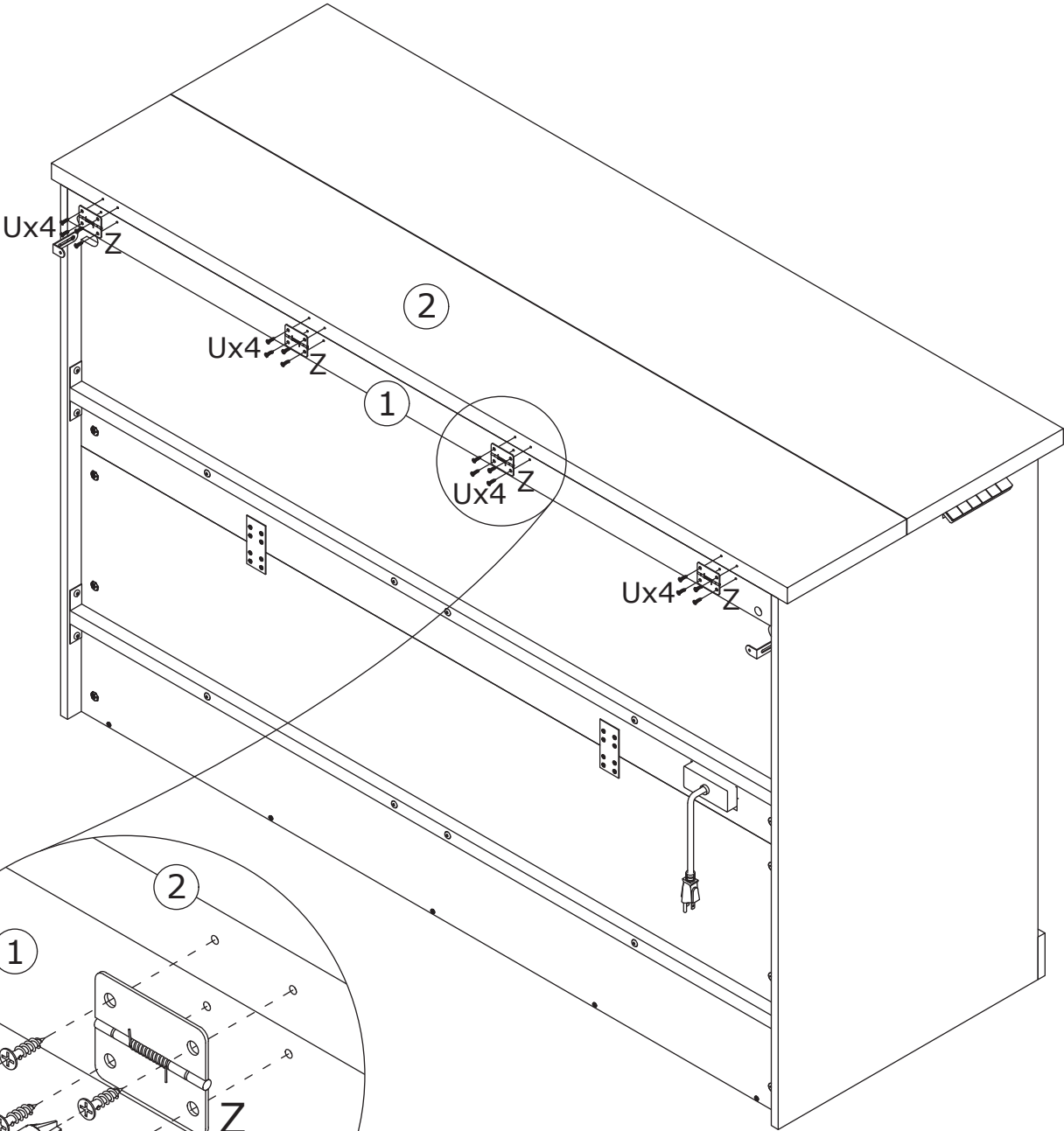




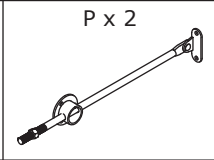
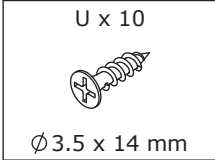
42



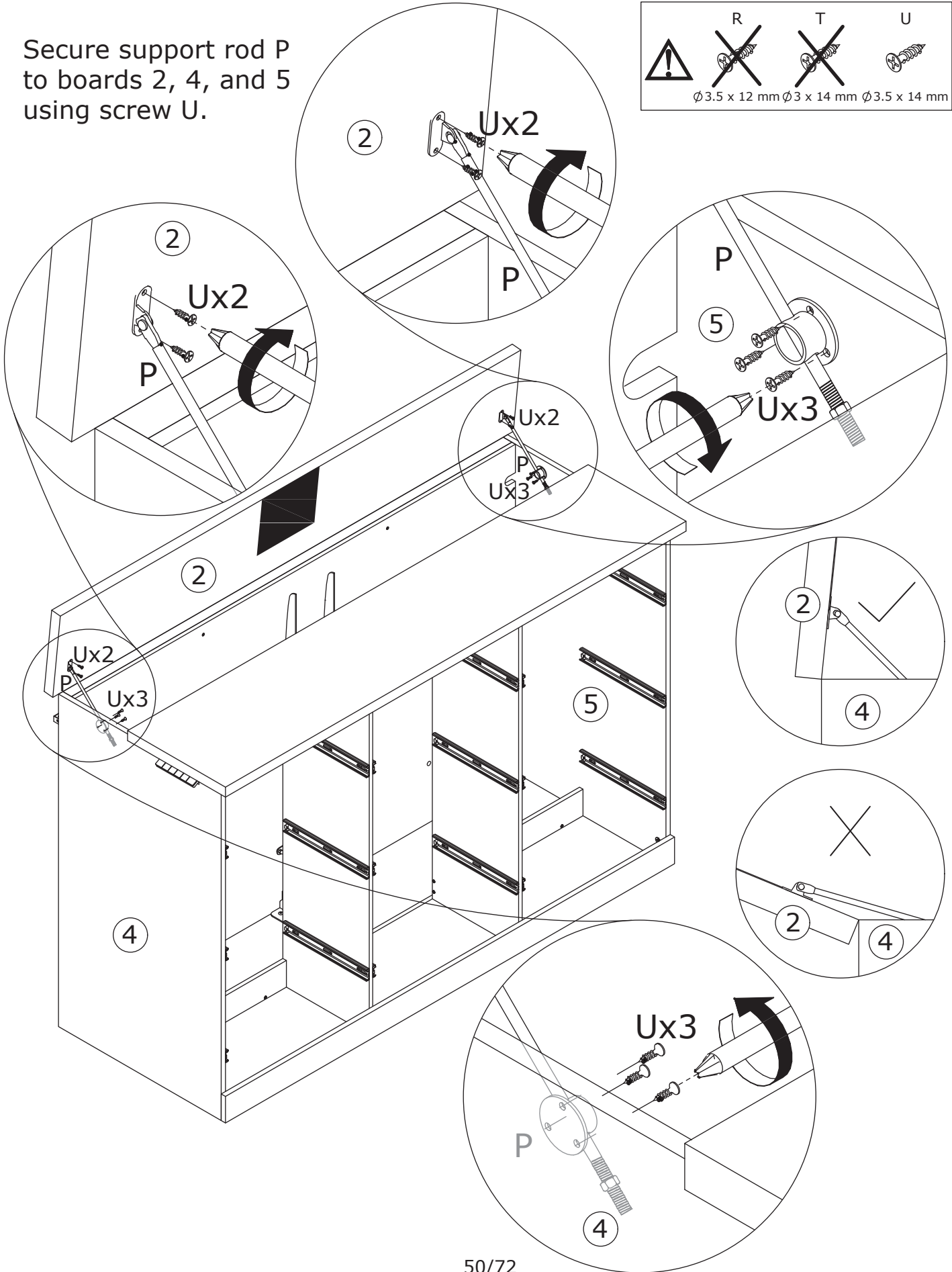
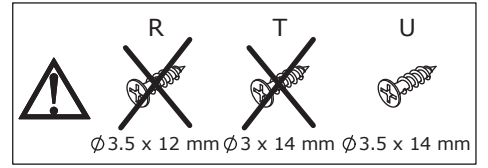
Connect board 1 to board 2 using hinge Z and screw U.



# 43

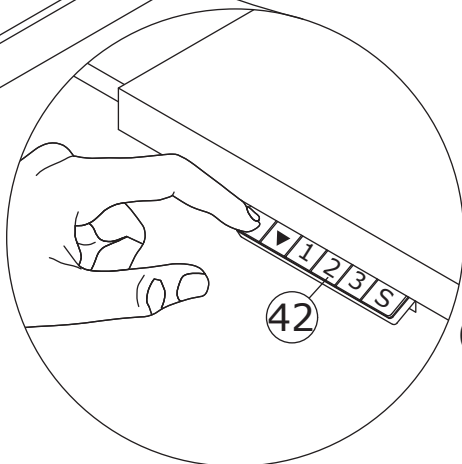
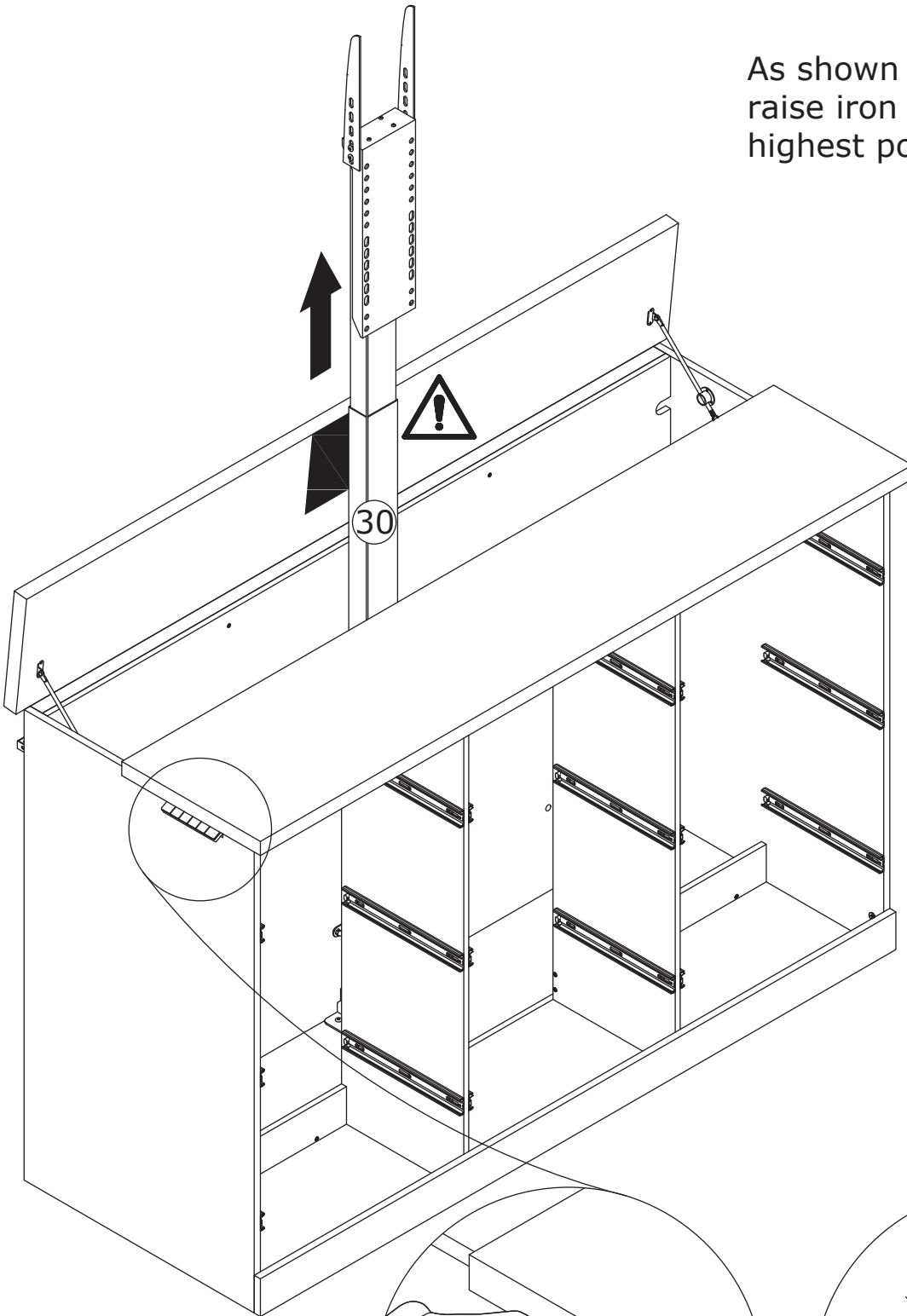


Secure support rod P to boards 2, 4, and 5 using screw U.

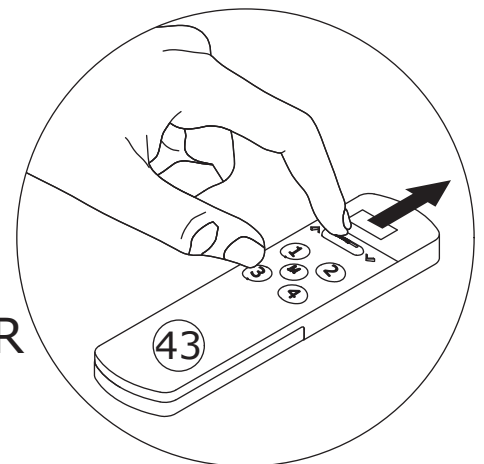


44

As shown in the figure, raise iron part 30 to its highest position.



OR

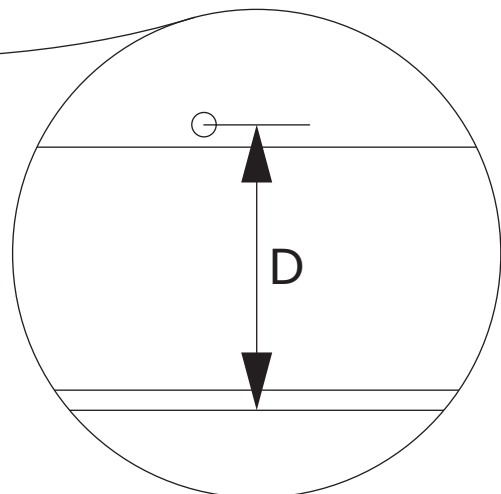
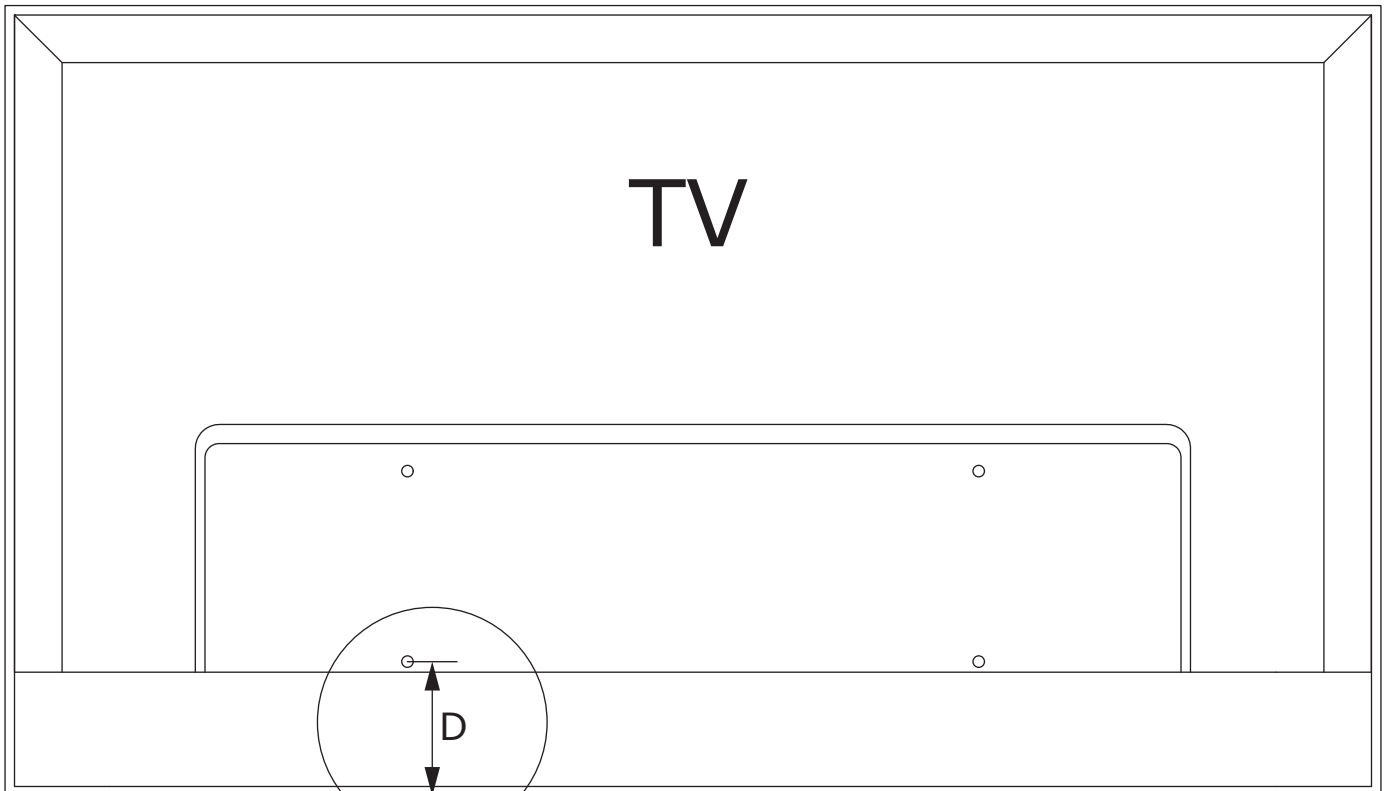


45

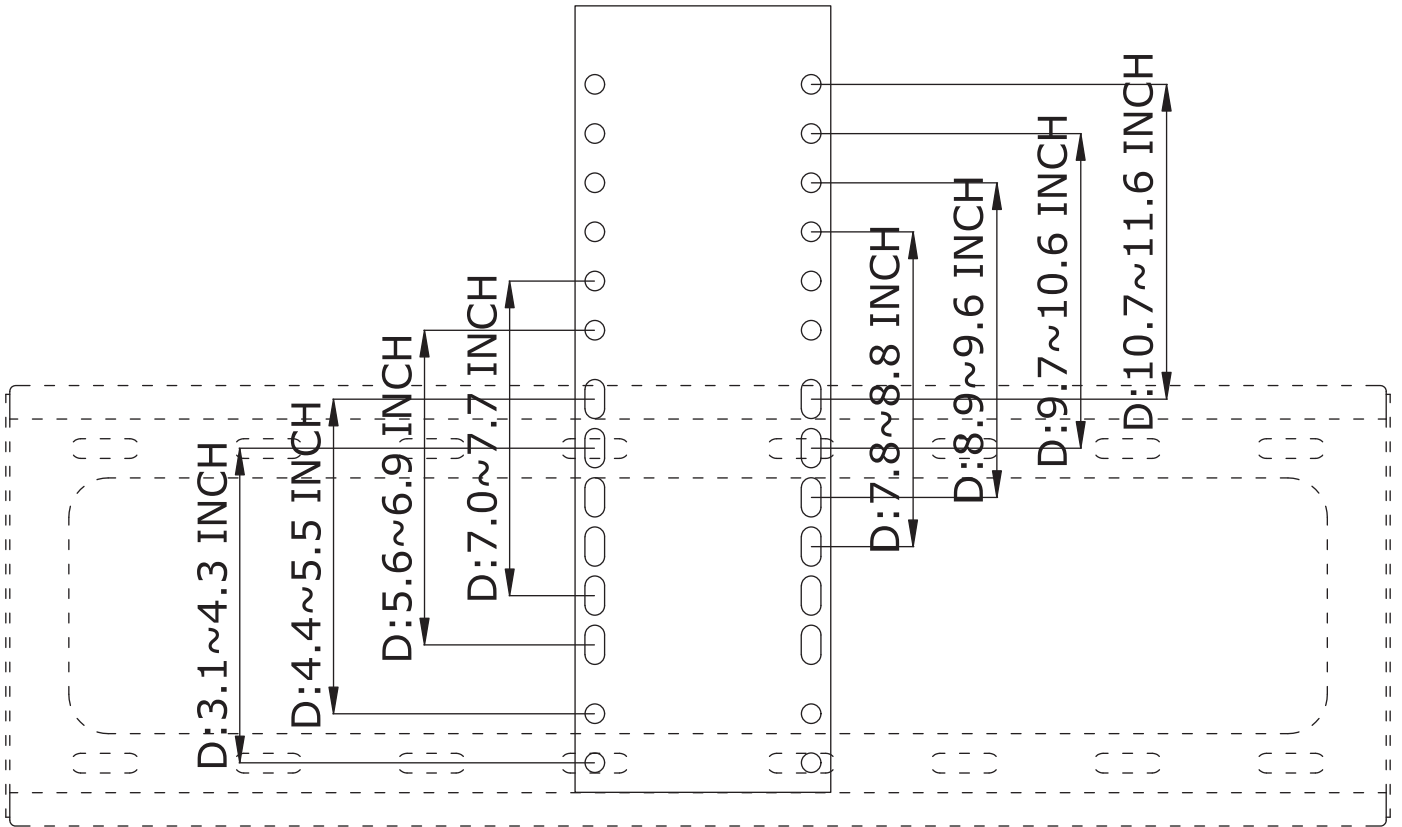
Measure the distance (Segment D) from the edge to the mounting holes on your TV.

**Note:**





Only suitable for TVs with dimensions less than:  
Length 58(INCH), Height 33(INCH), Thickness 4(INCH).



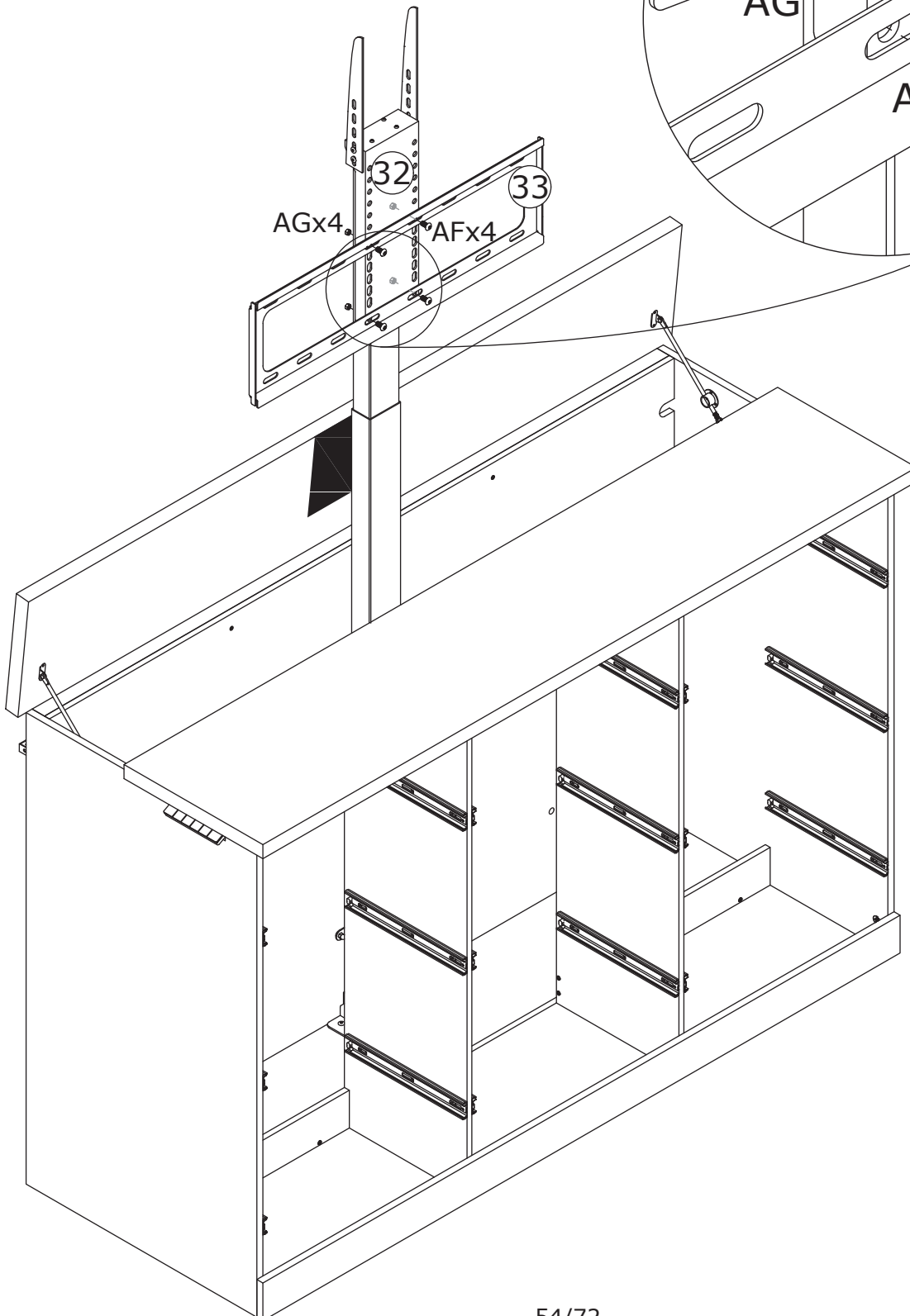
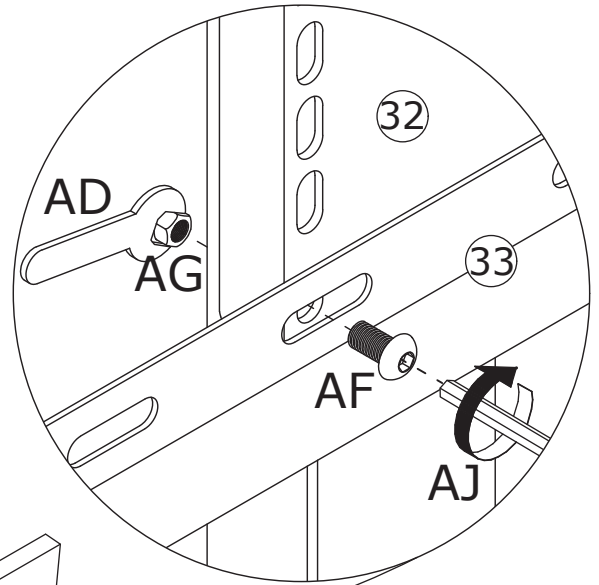
Confirm the appropriate hole position based on the measured distance.



47

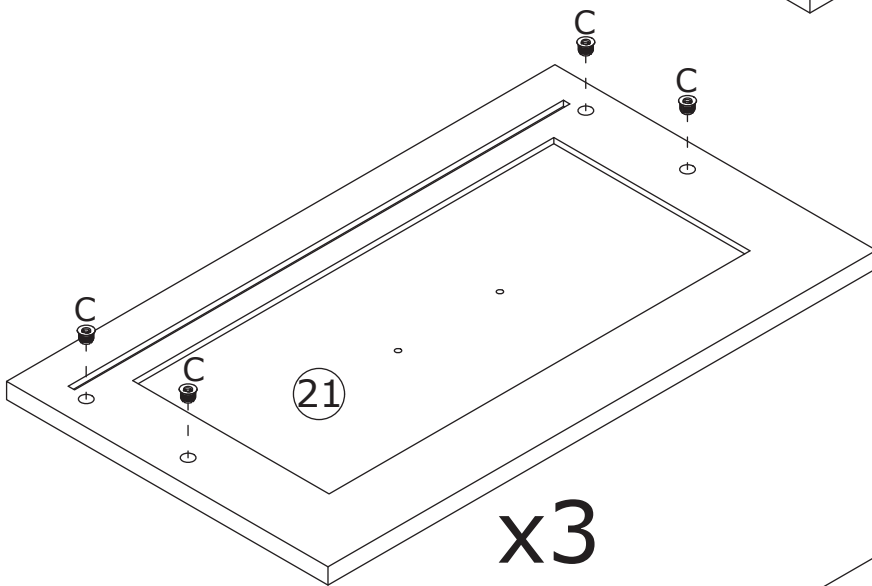
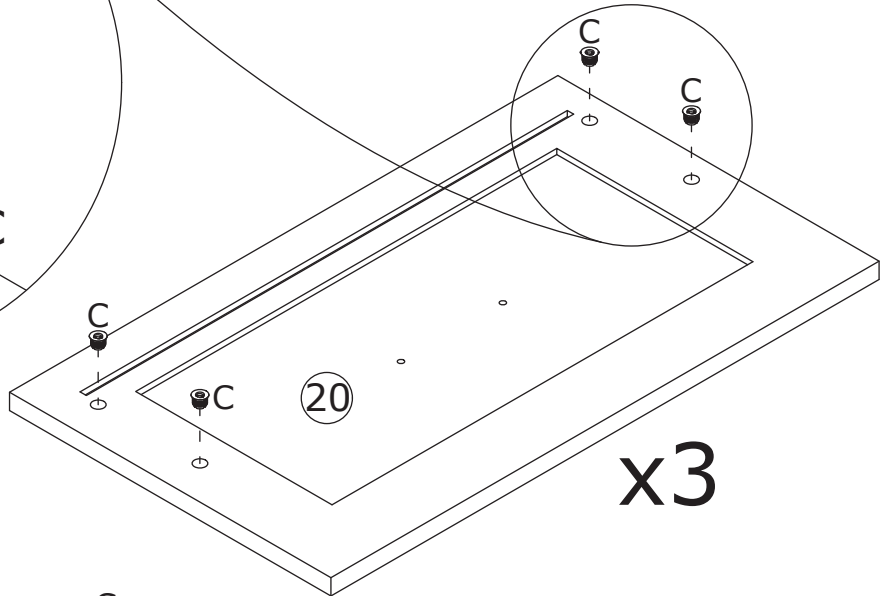
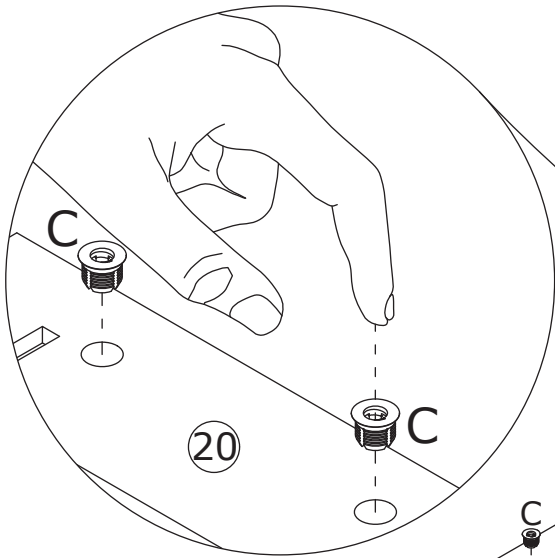
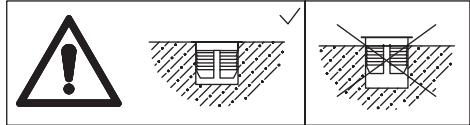
AD x 1 	AF x 4  Ø8 x 15 mm	AG x 4 	AJ x 1  M5	
---	---	---	--	--

Use wrench AJ to screw AF through parts 33 and 32 into nut AG, and tighten nut AG with wrench AD.

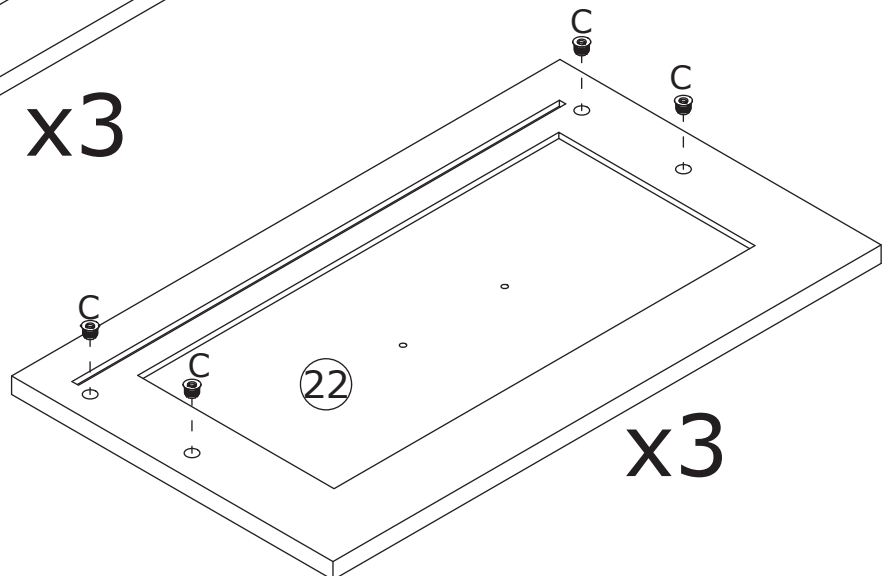


48

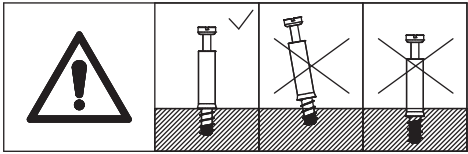
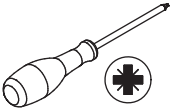
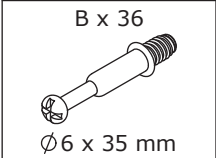
C x 36



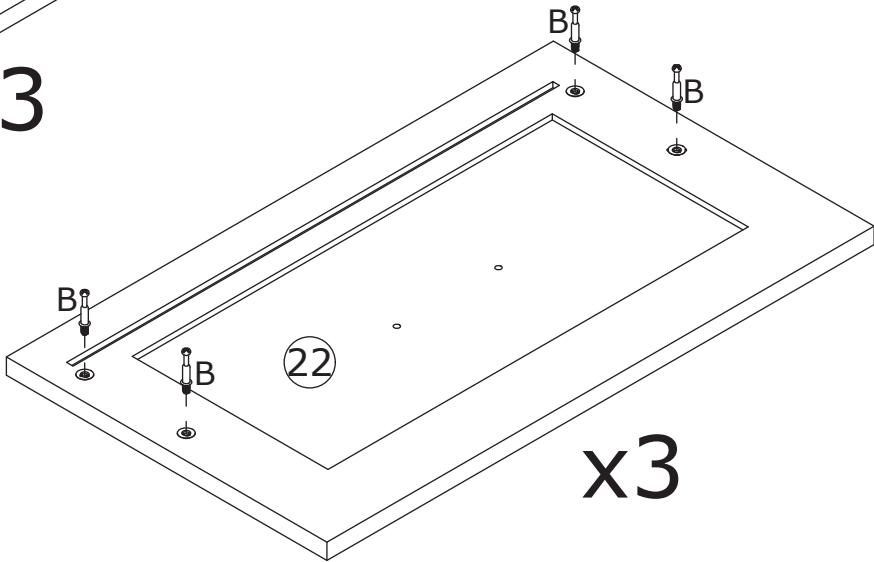
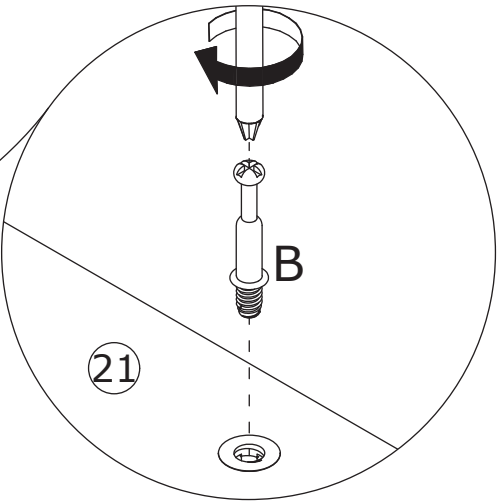
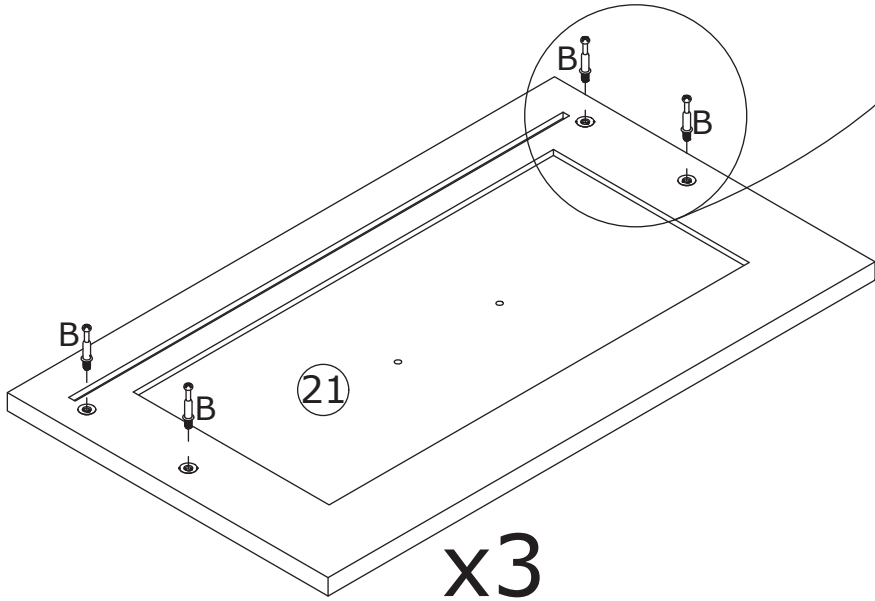
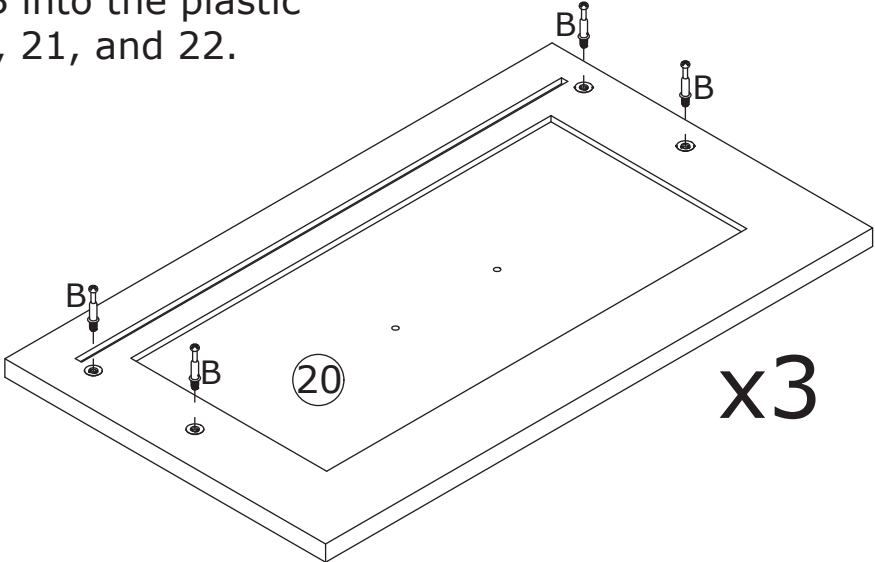
Place plastic insert C.



49



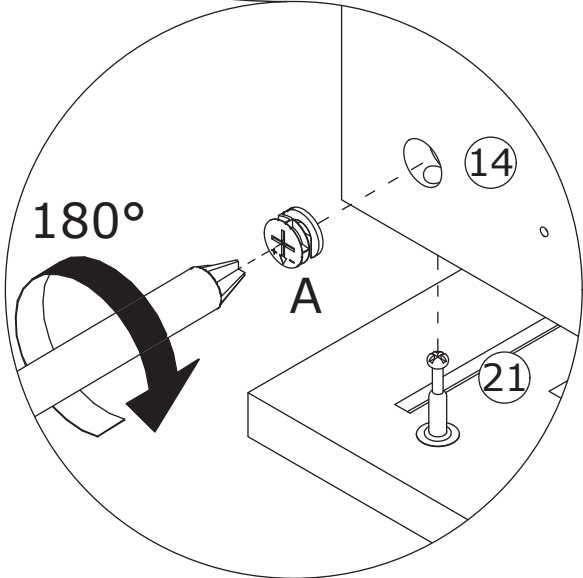
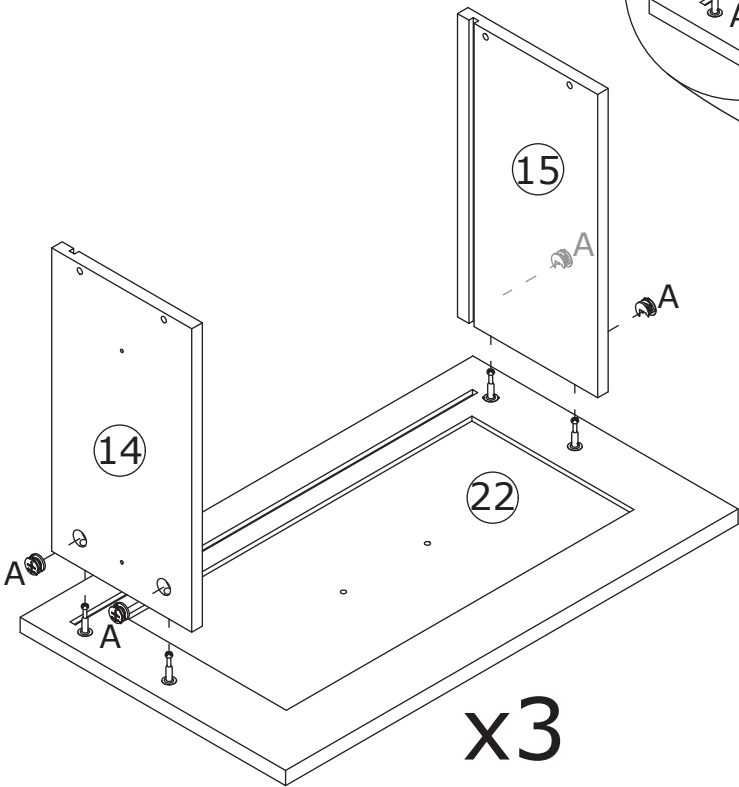
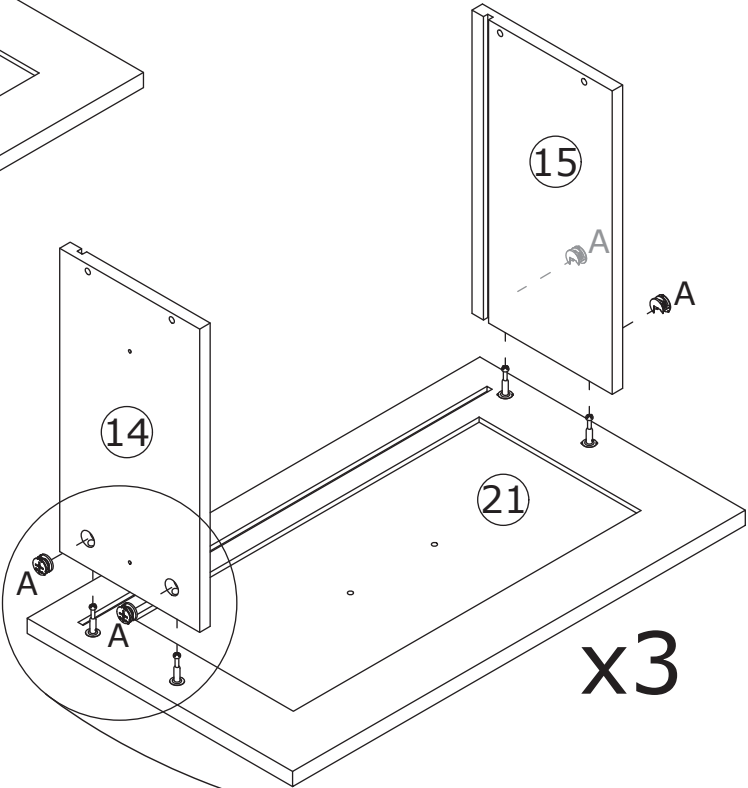
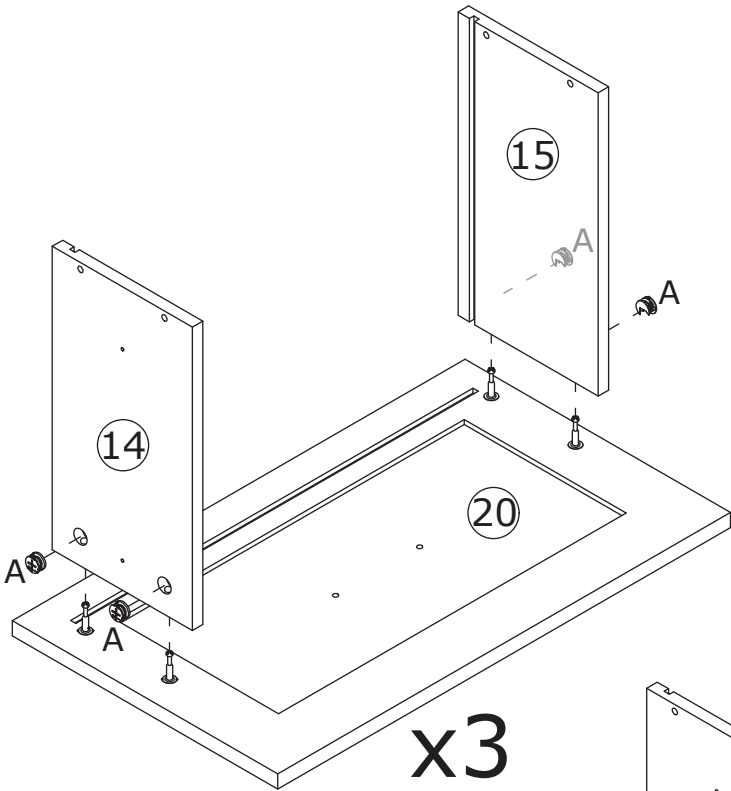
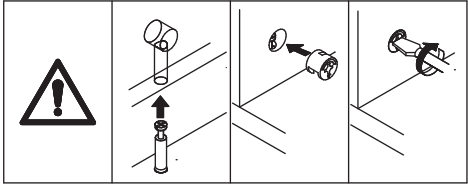
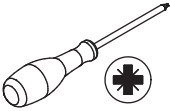
Screw eccentric rod B into the plastic insert C in boards 20, 21, and 22.





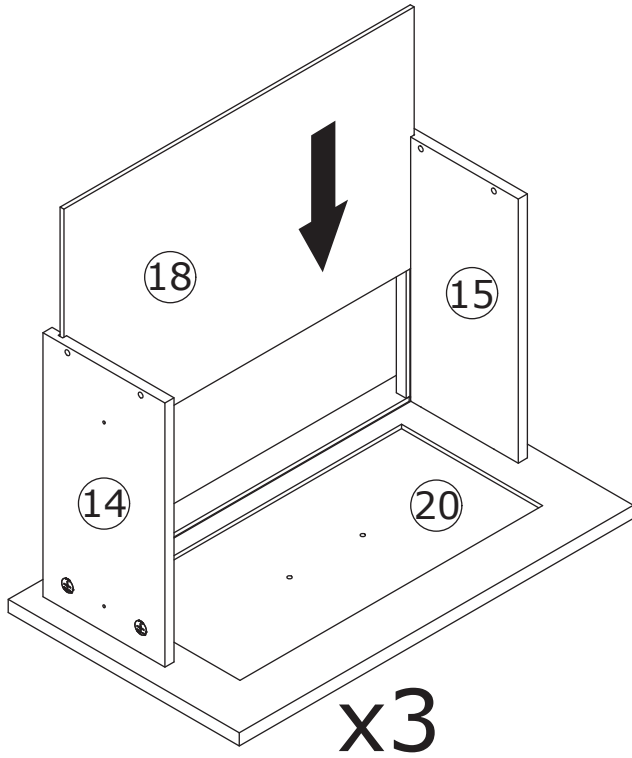
50

A x 36  
Ø15 x 10 mm

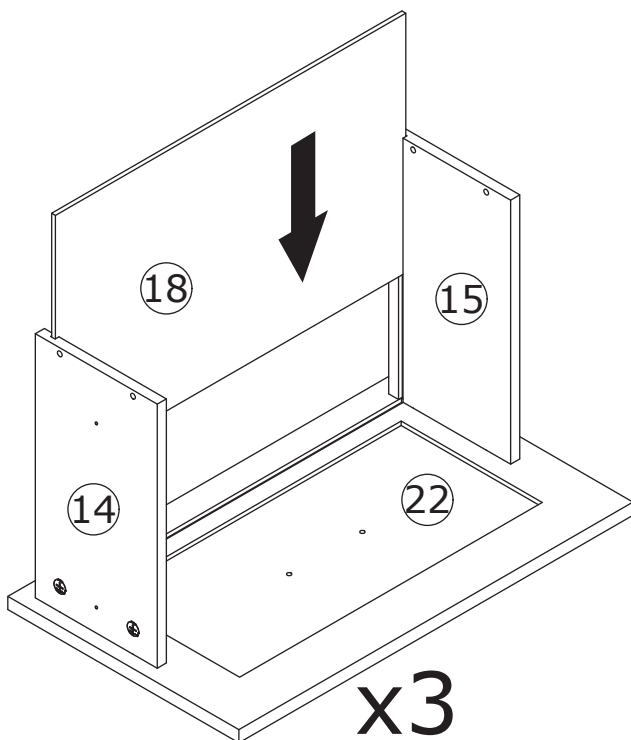
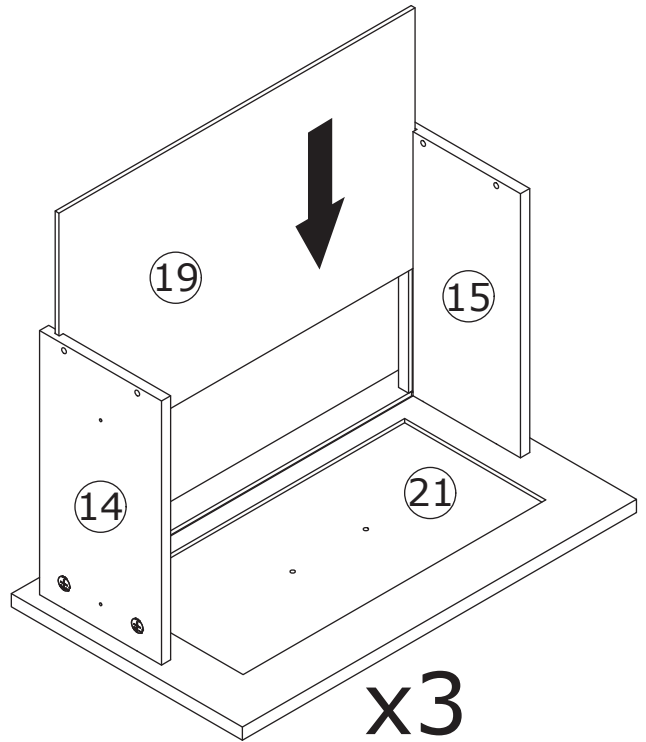


Connect boards 14 and 15 to boards 20, 21, and 22 and lock by rotating eccentric cam A clockwise.

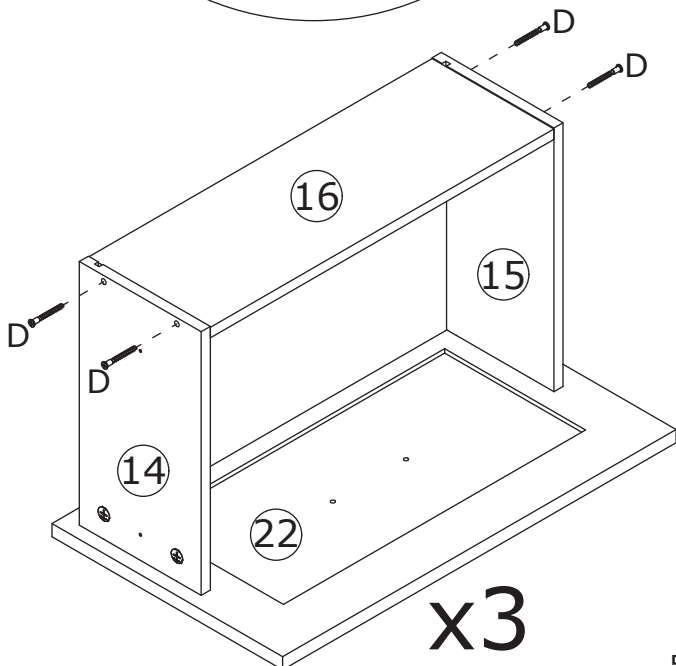
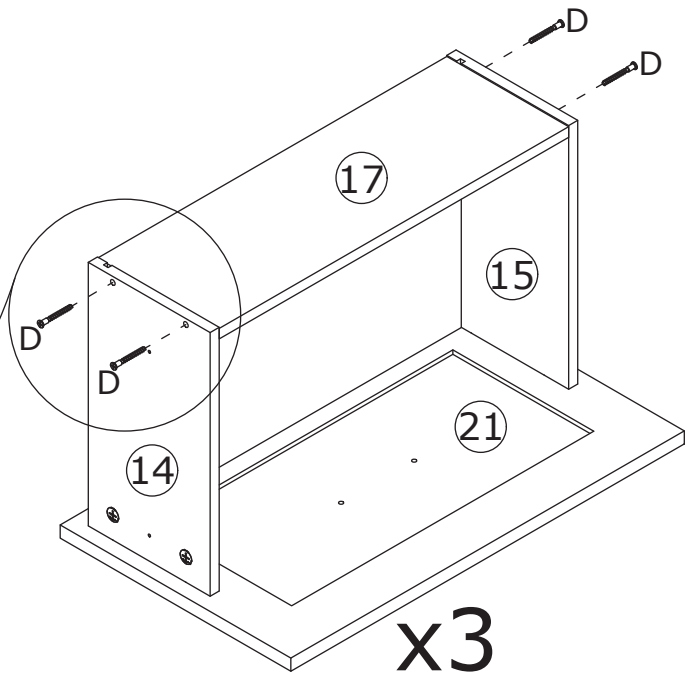
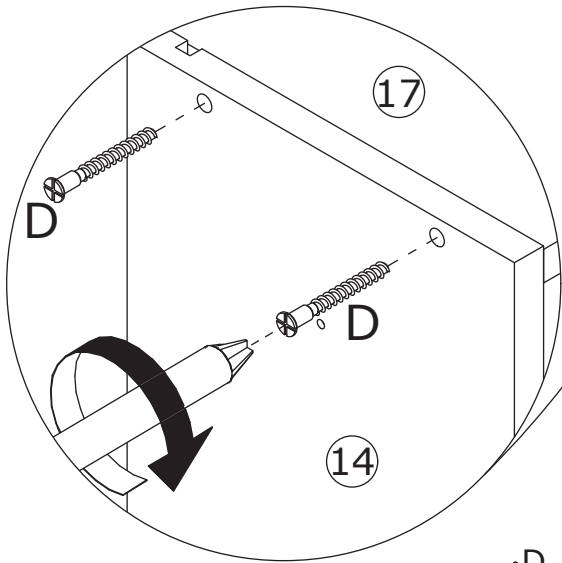
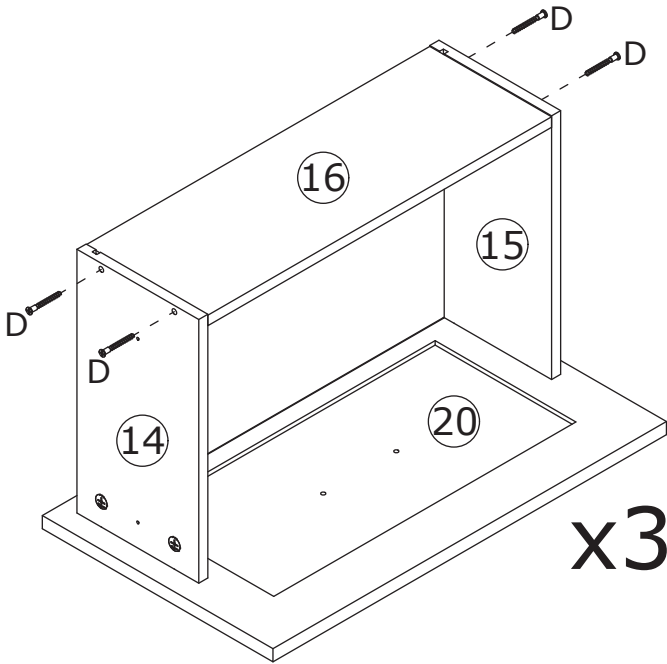
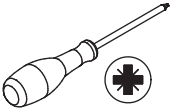
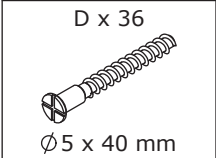
51



Insert board 18 into boards 20 and 22.  
Insert board 19 into board 21.

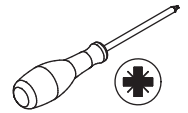
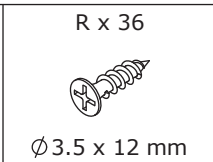
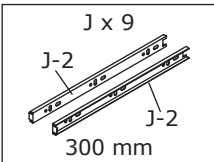


52

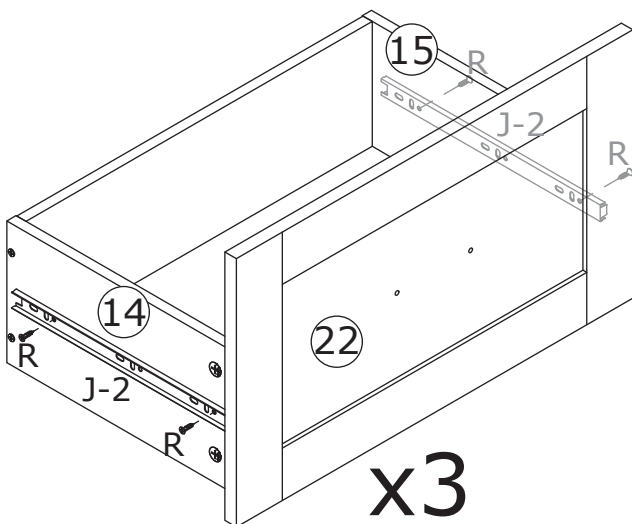
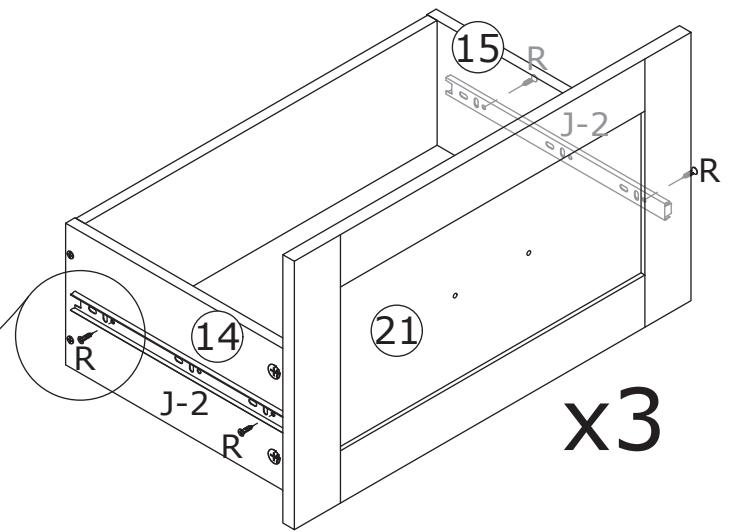
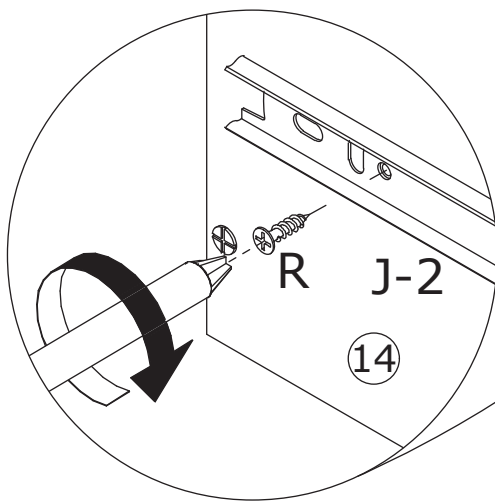
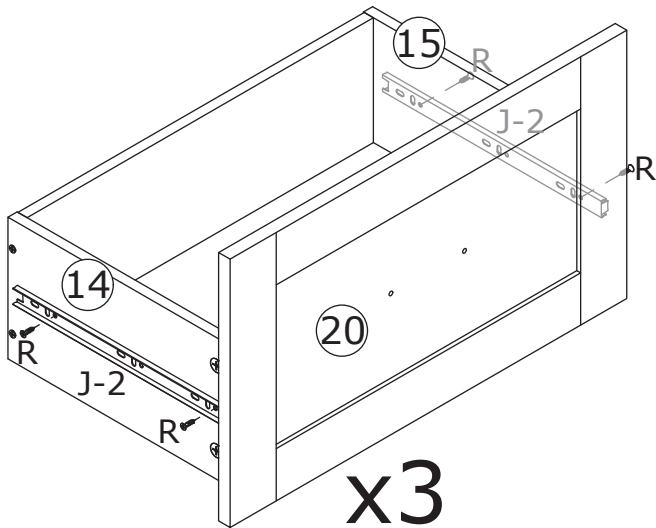
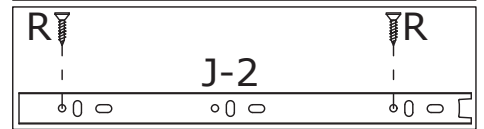
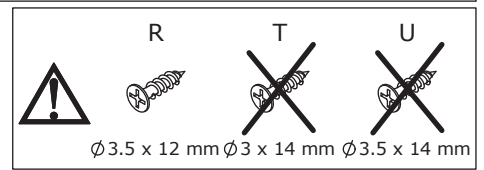


Connect board 16 to boards 14 and 15 and tighten with screw D.  
Connect board 17 to boards 14 and 15 and tighten with screw D.

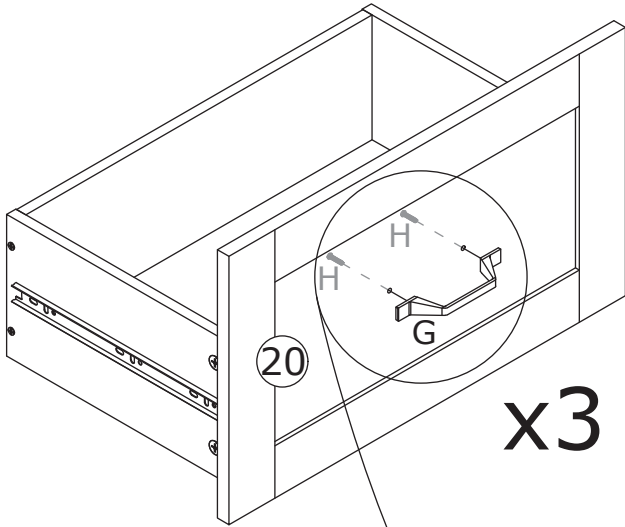
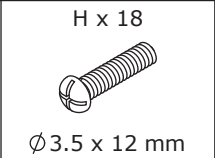
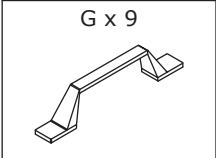
53



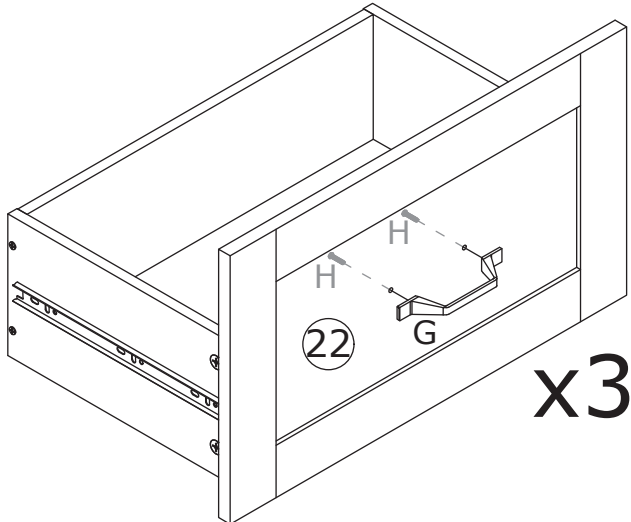
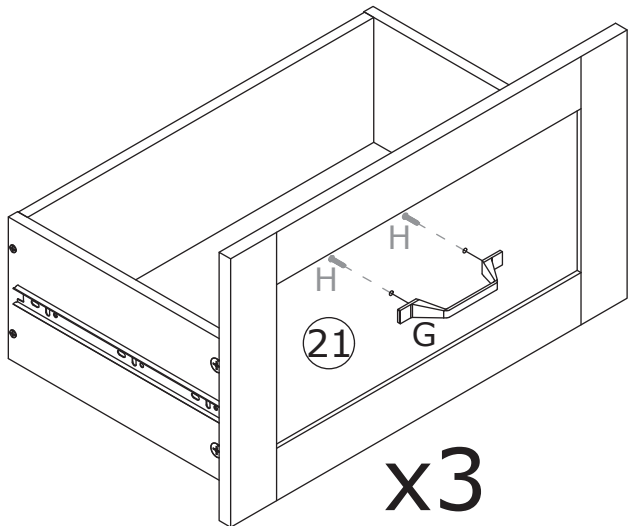
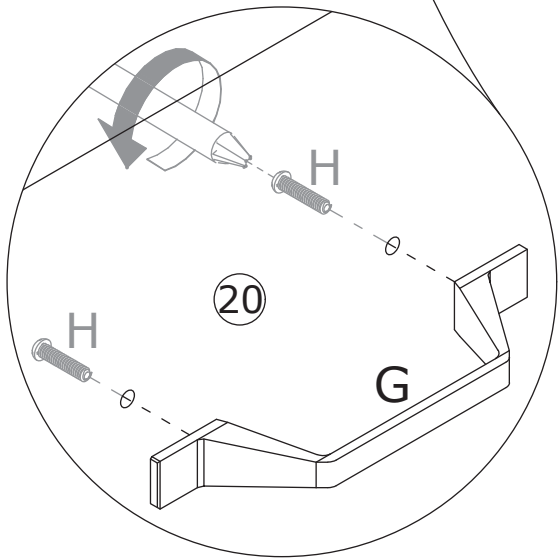
Secure guide rail J-2 to boards 14 and 15 using screw R.



54

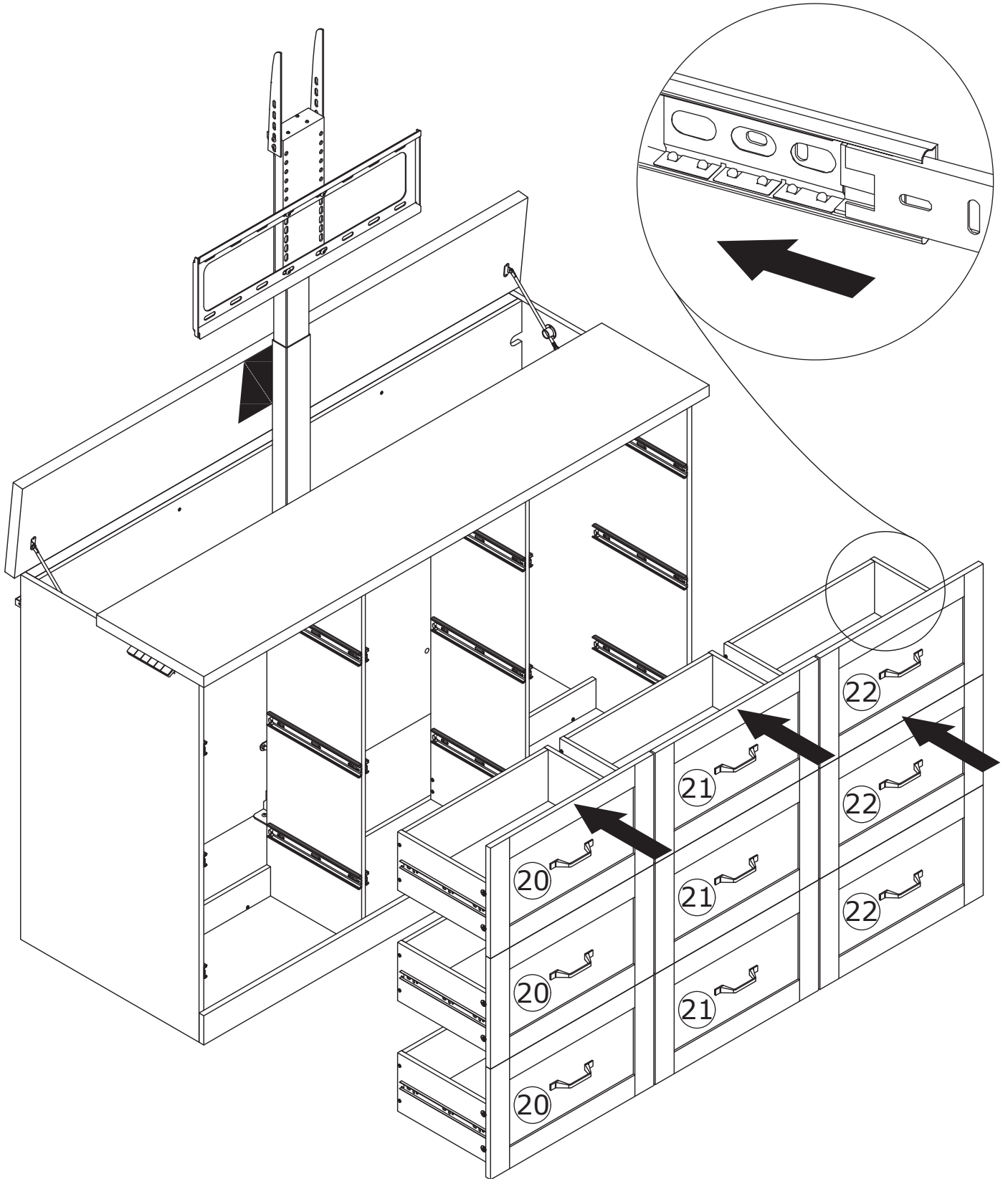


Secure handle G to boards 20, 21, and 22 using screw H.

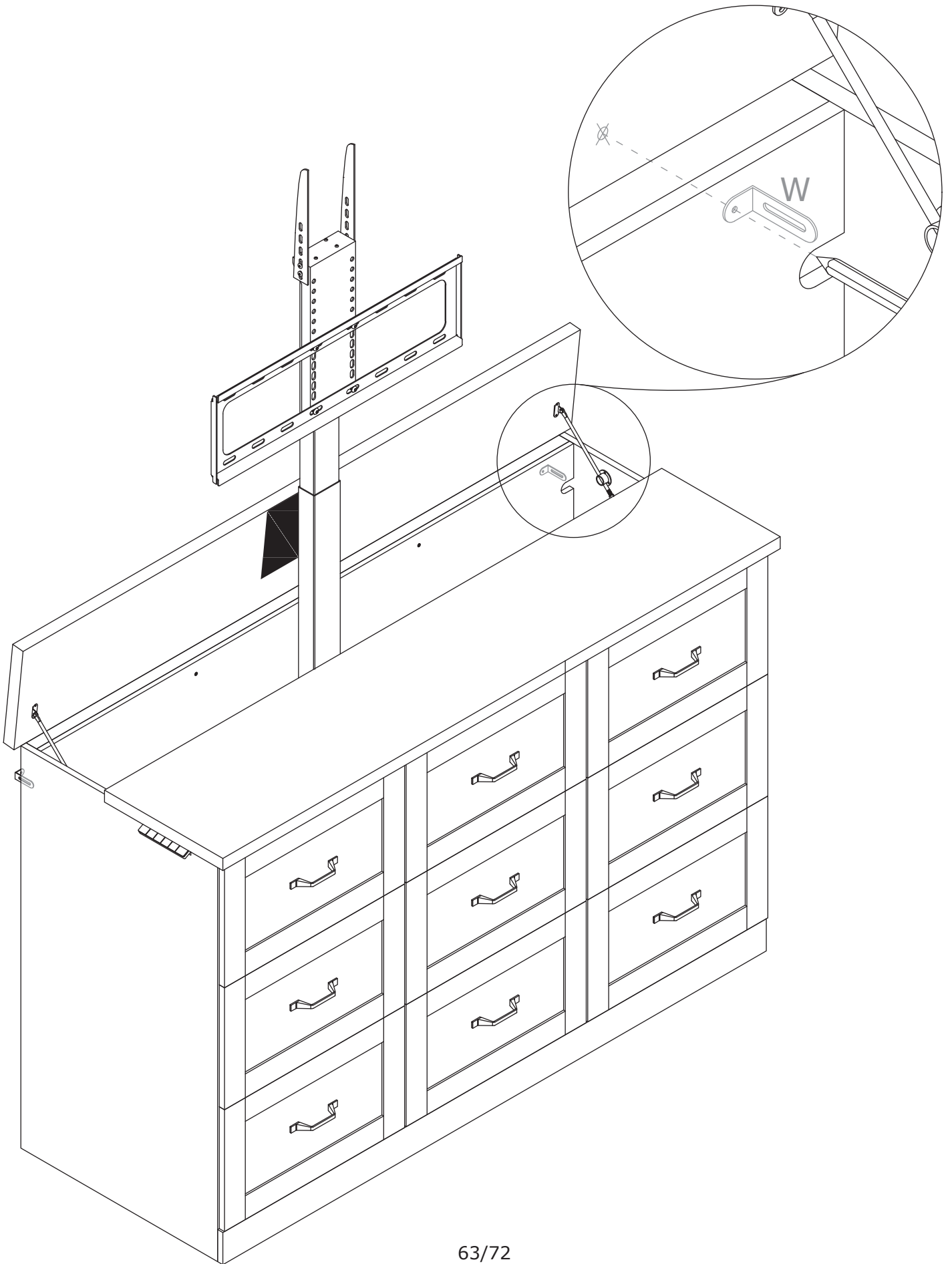
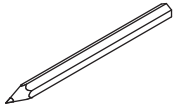


55

Place drawers 20, 21, and 22.

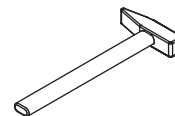
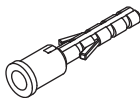


56



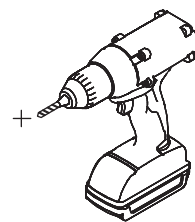
57

Y x 2

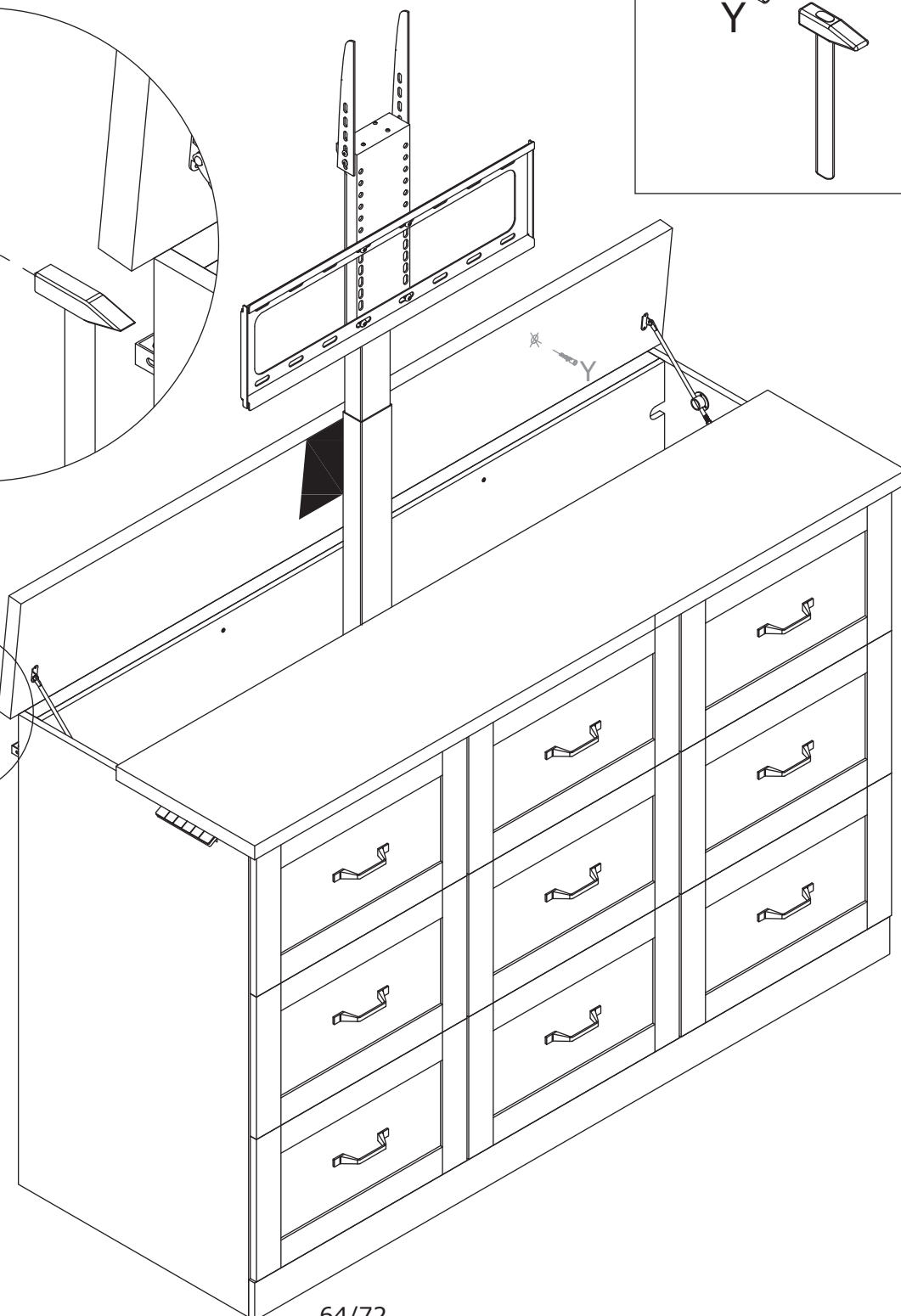
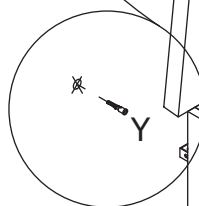
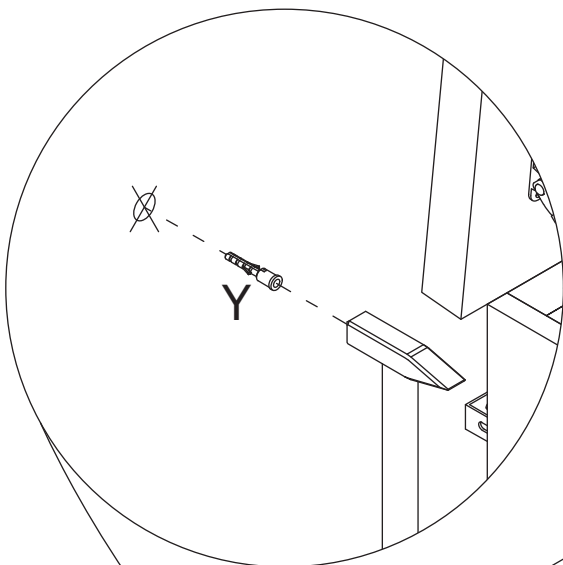
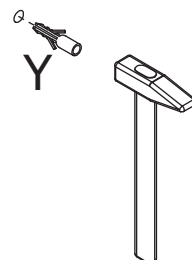


Mark points on the wall, drill holes,  
and tap in plastic anchor Y.

1.



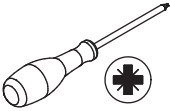
2.



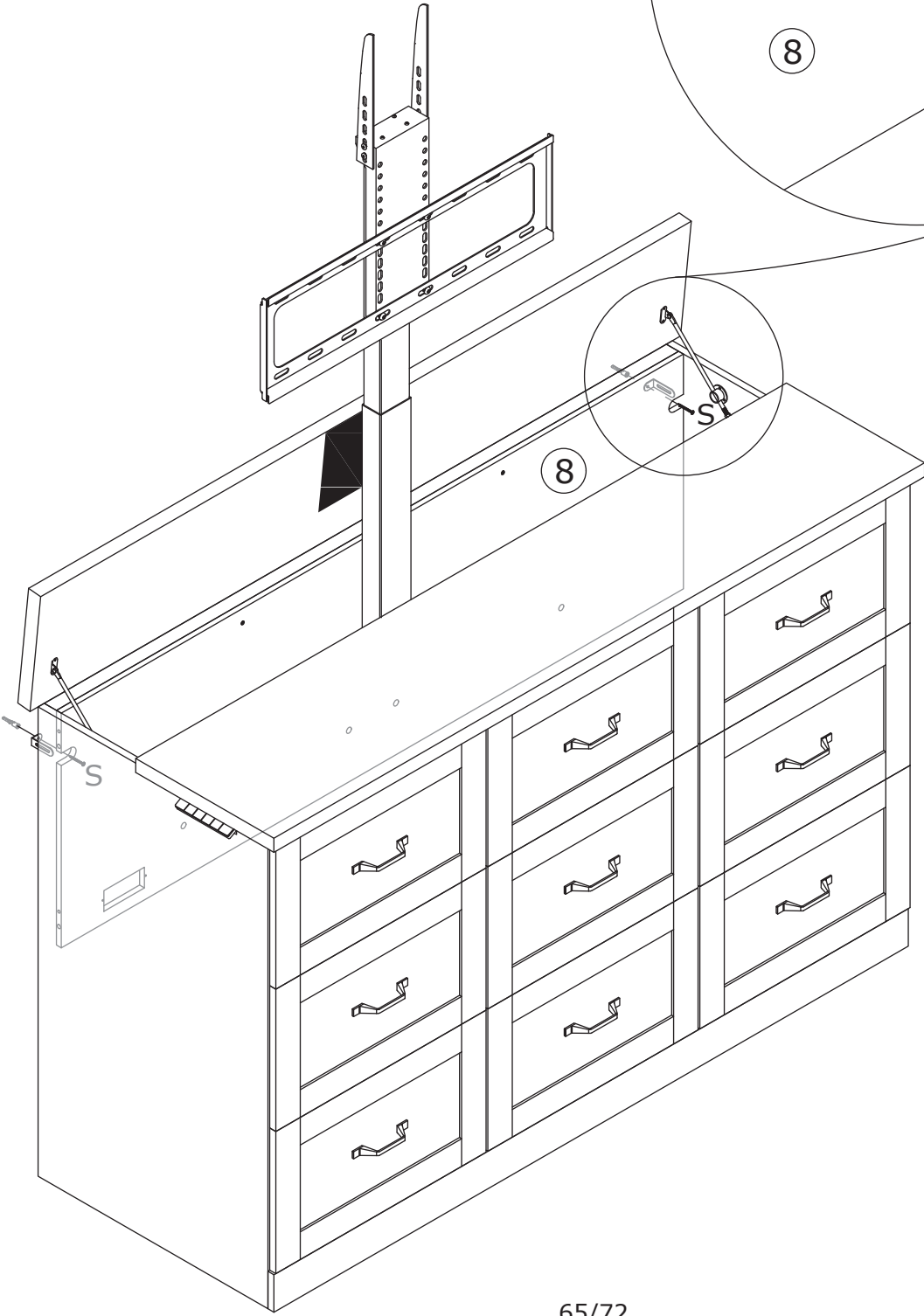
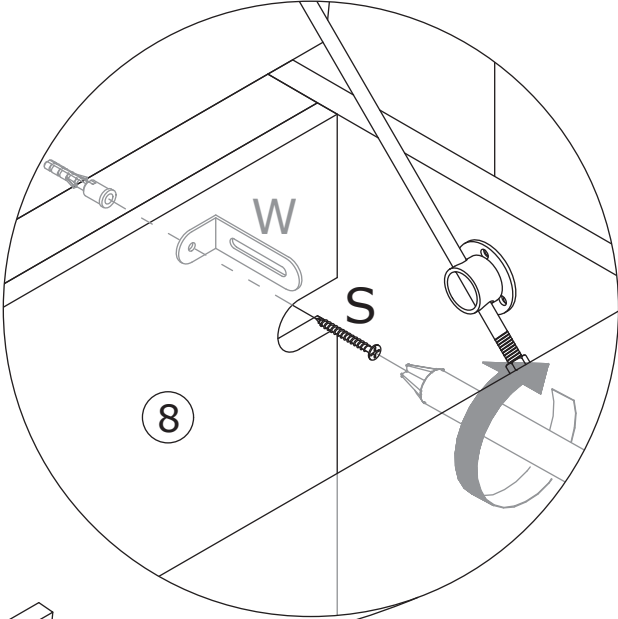


58

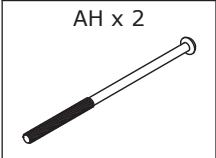
S x 2  
Ø 3.5 x 35 mm



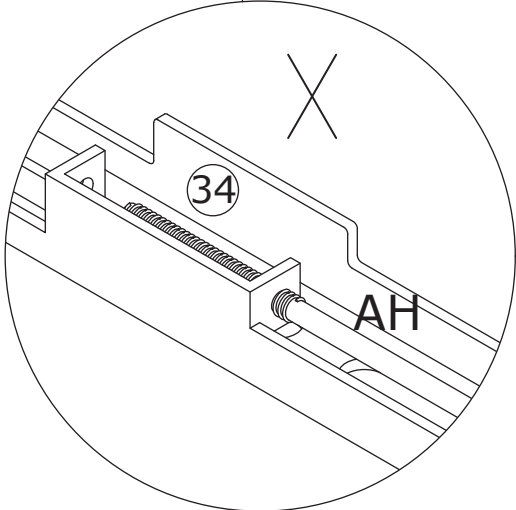
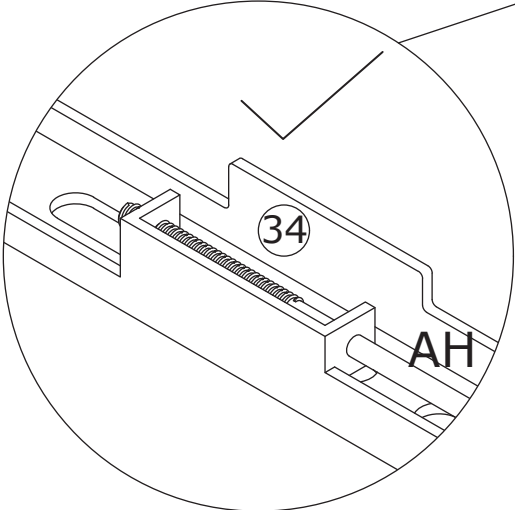
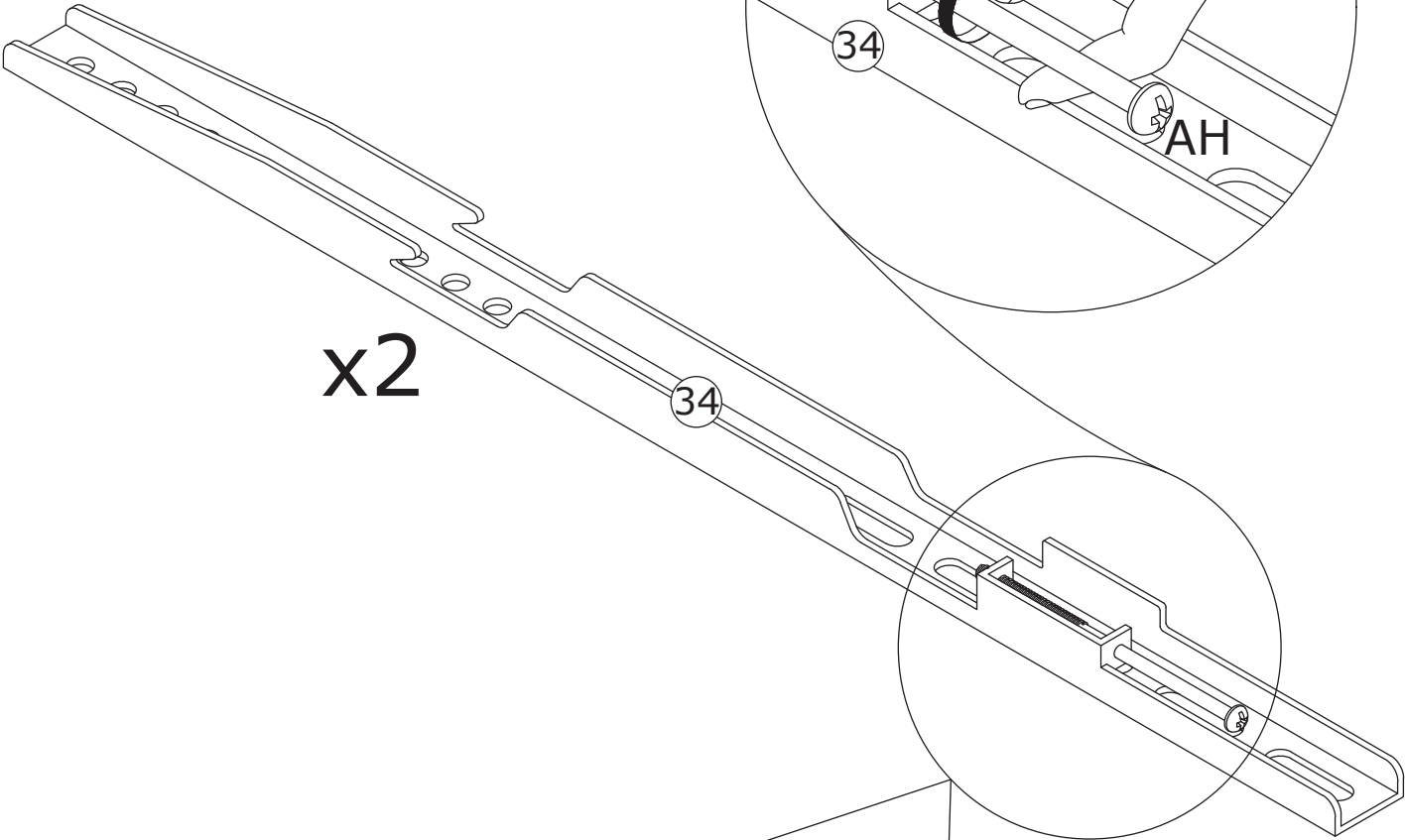
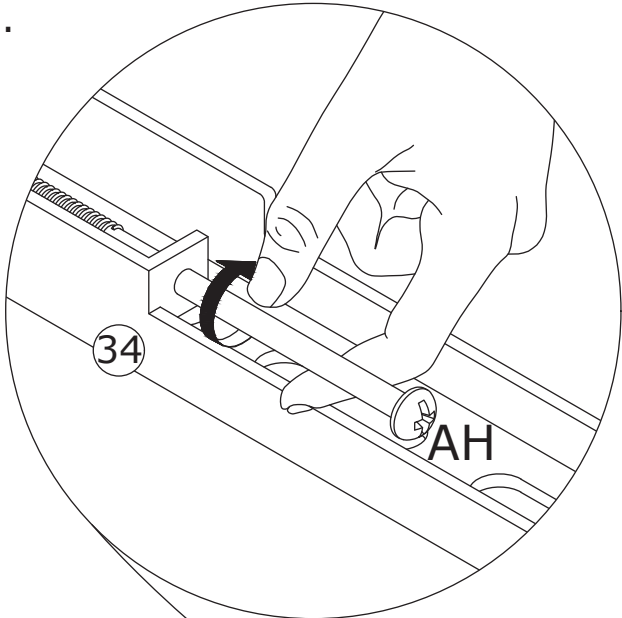
Screw S through anti-tip bracket W into plastic anchor Y.



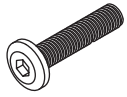
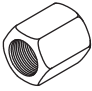
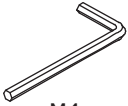
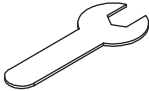
59



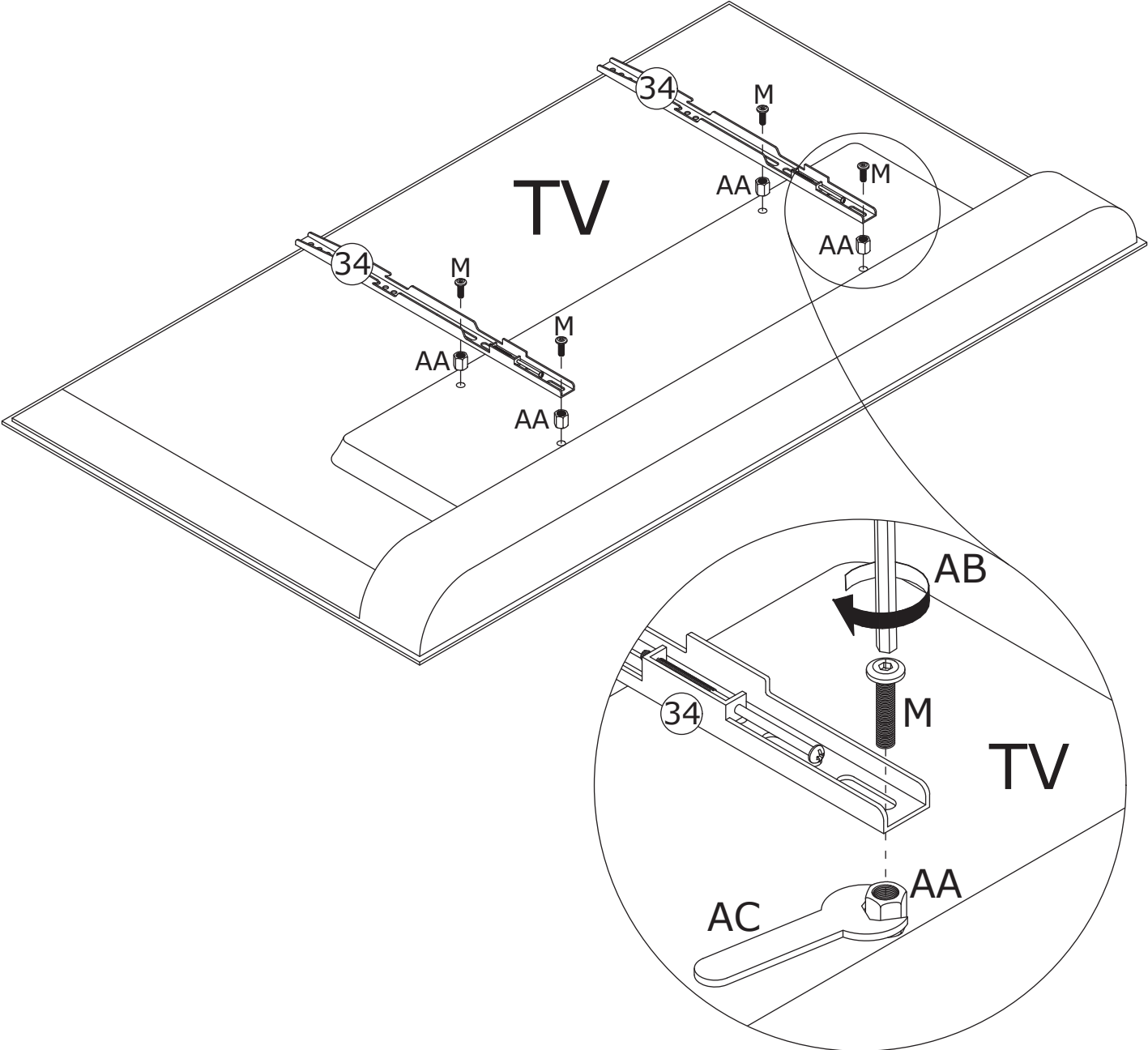
Screw accessory AH into iron part 34.



60

<p>M x 4</p>  <p>Ø6 x 40 mm</p>	<p>AA x 4</p> 	<p>AB x 1</p>  <p>M4</p>	<p>AC x 1</p> 	
--	---	---	--	--

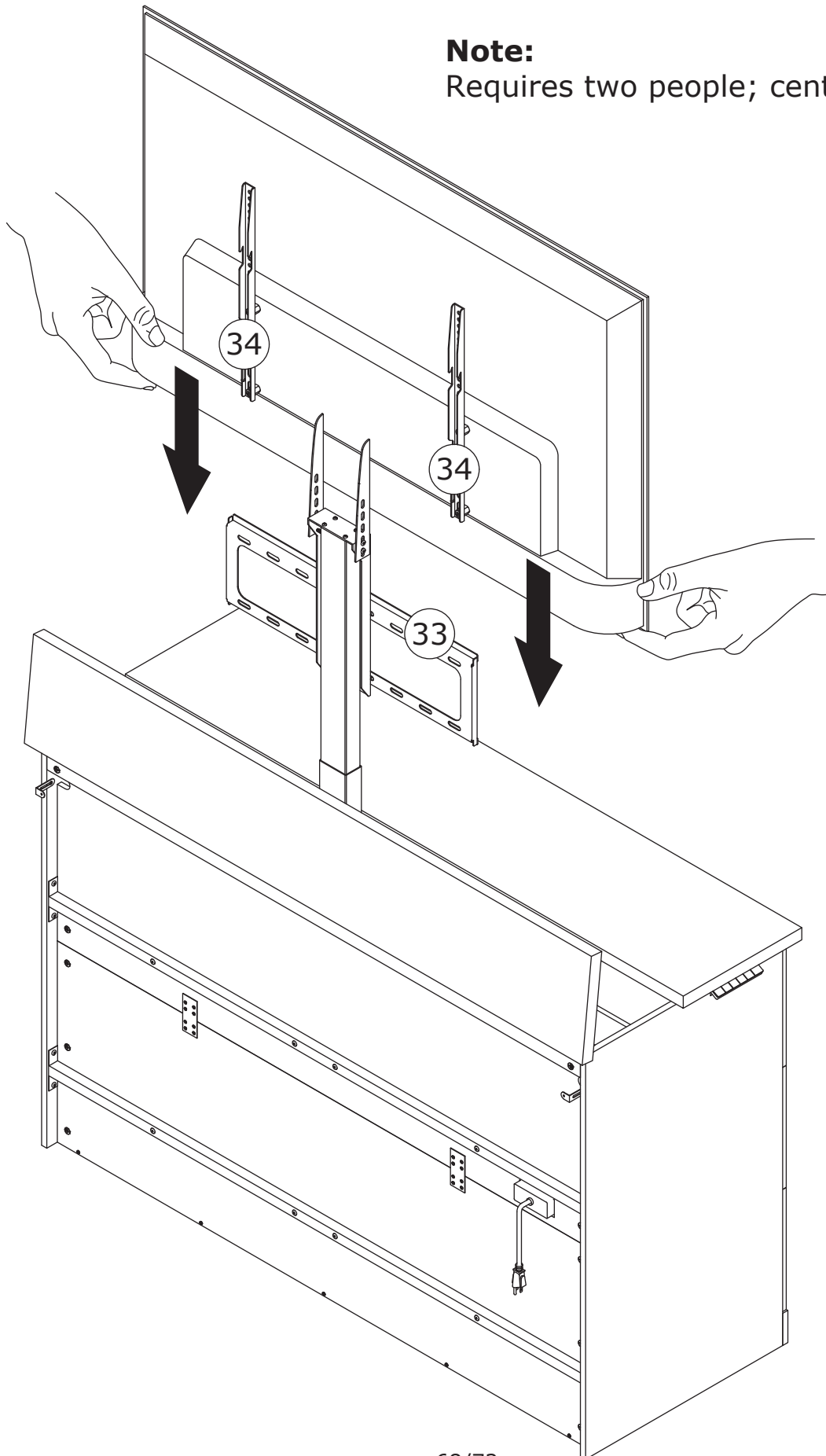
Use wrench AC to clamp nut AA against the TV mounting holes, then use screw M to install iron part 34 onto the TV via nut AA.

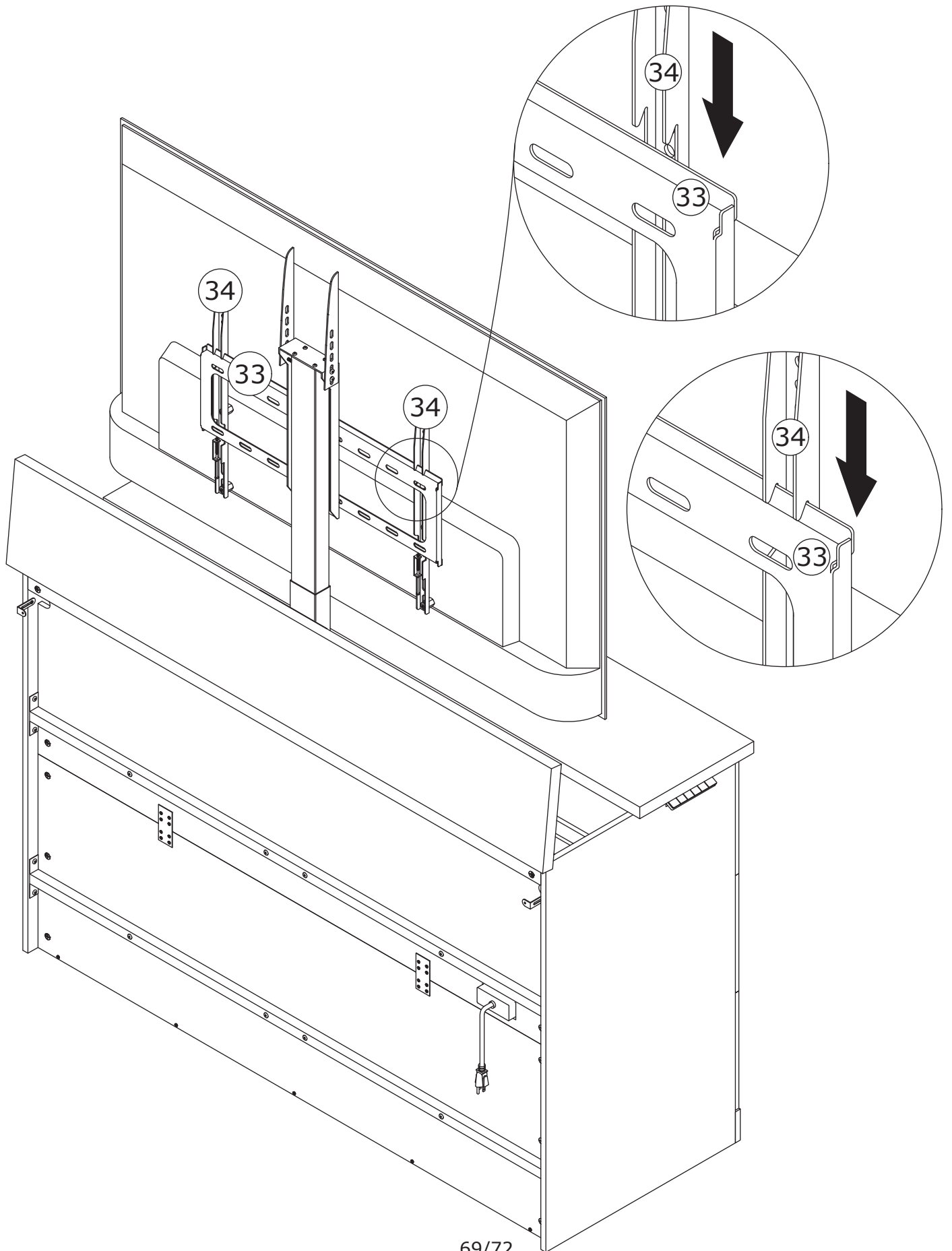


61

**Note:**

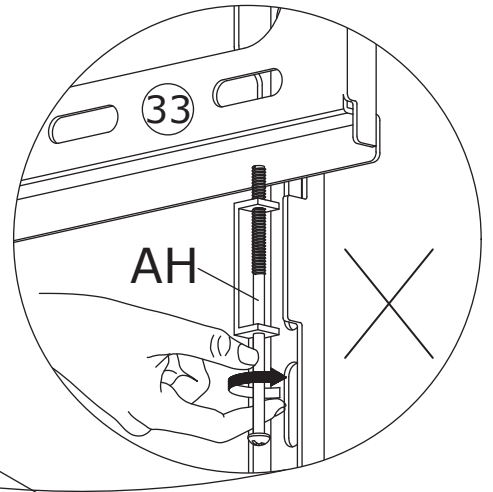
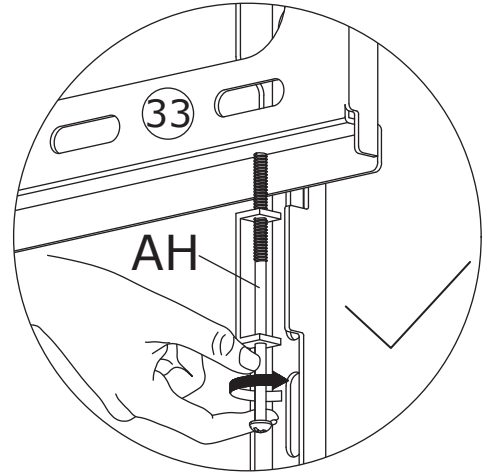
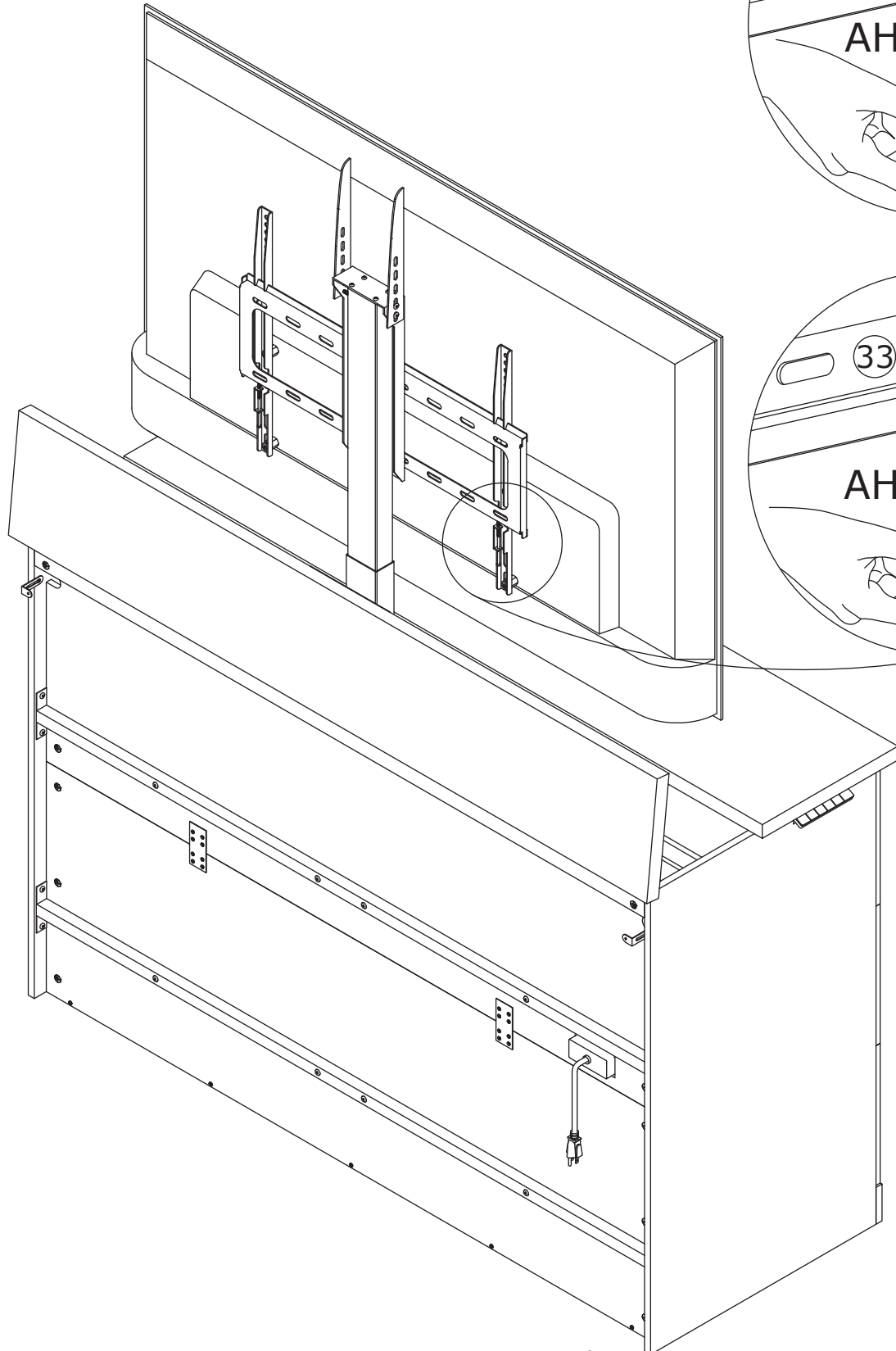
Requires two people; center the TV.



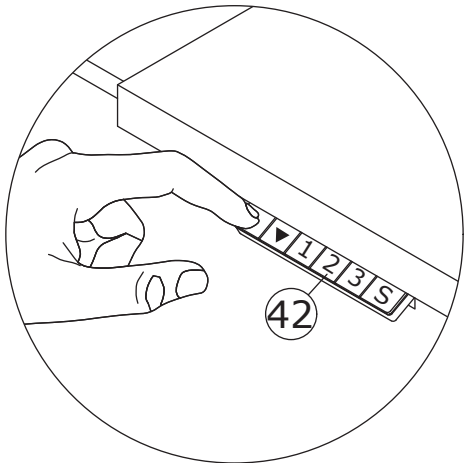


63

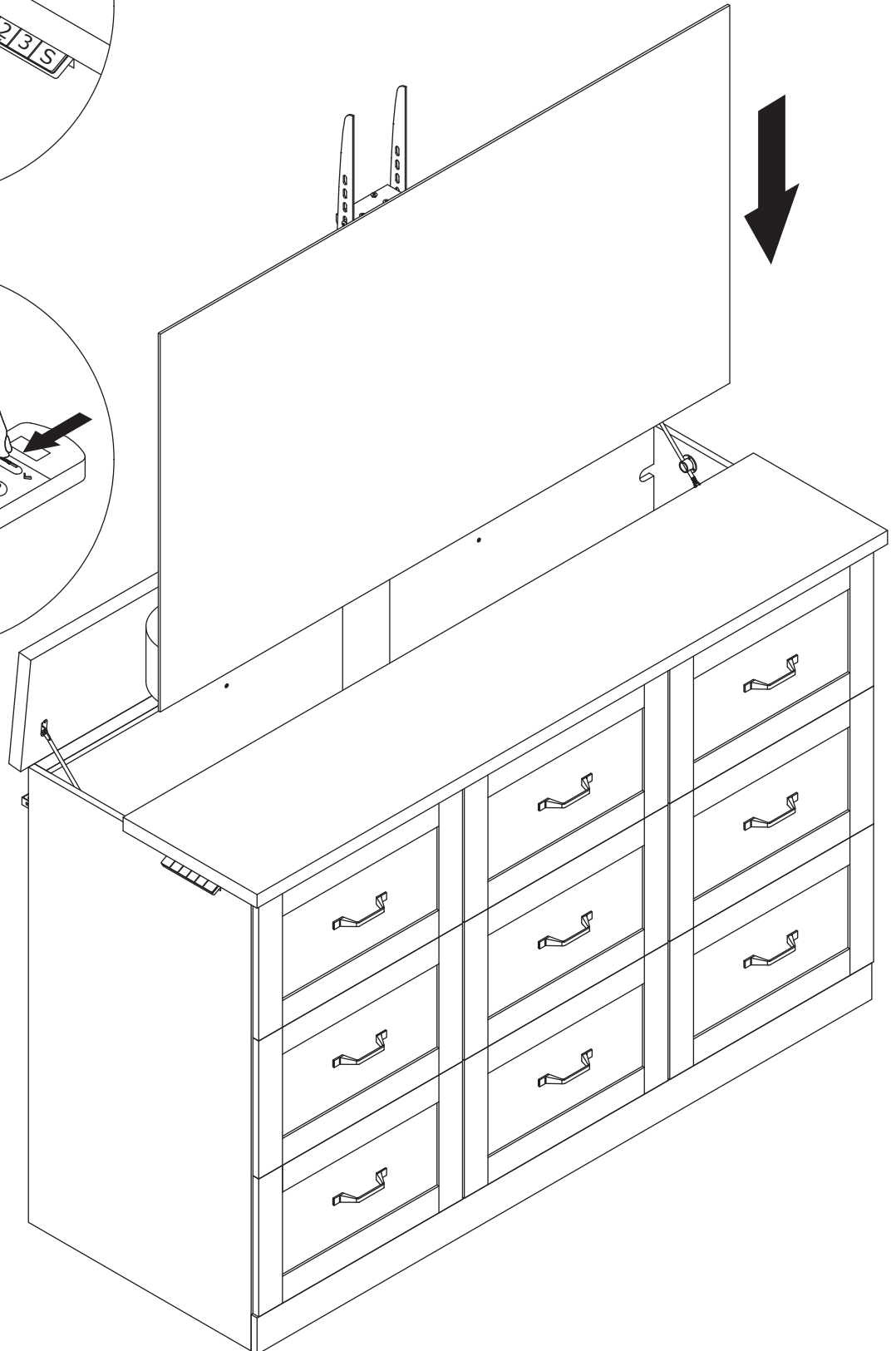
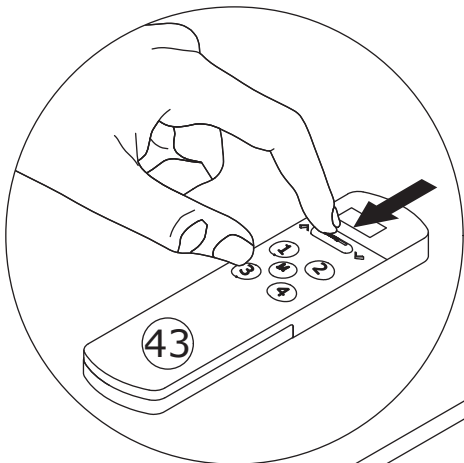
As shown in the figure,  
rotate accessory AH clockwise.



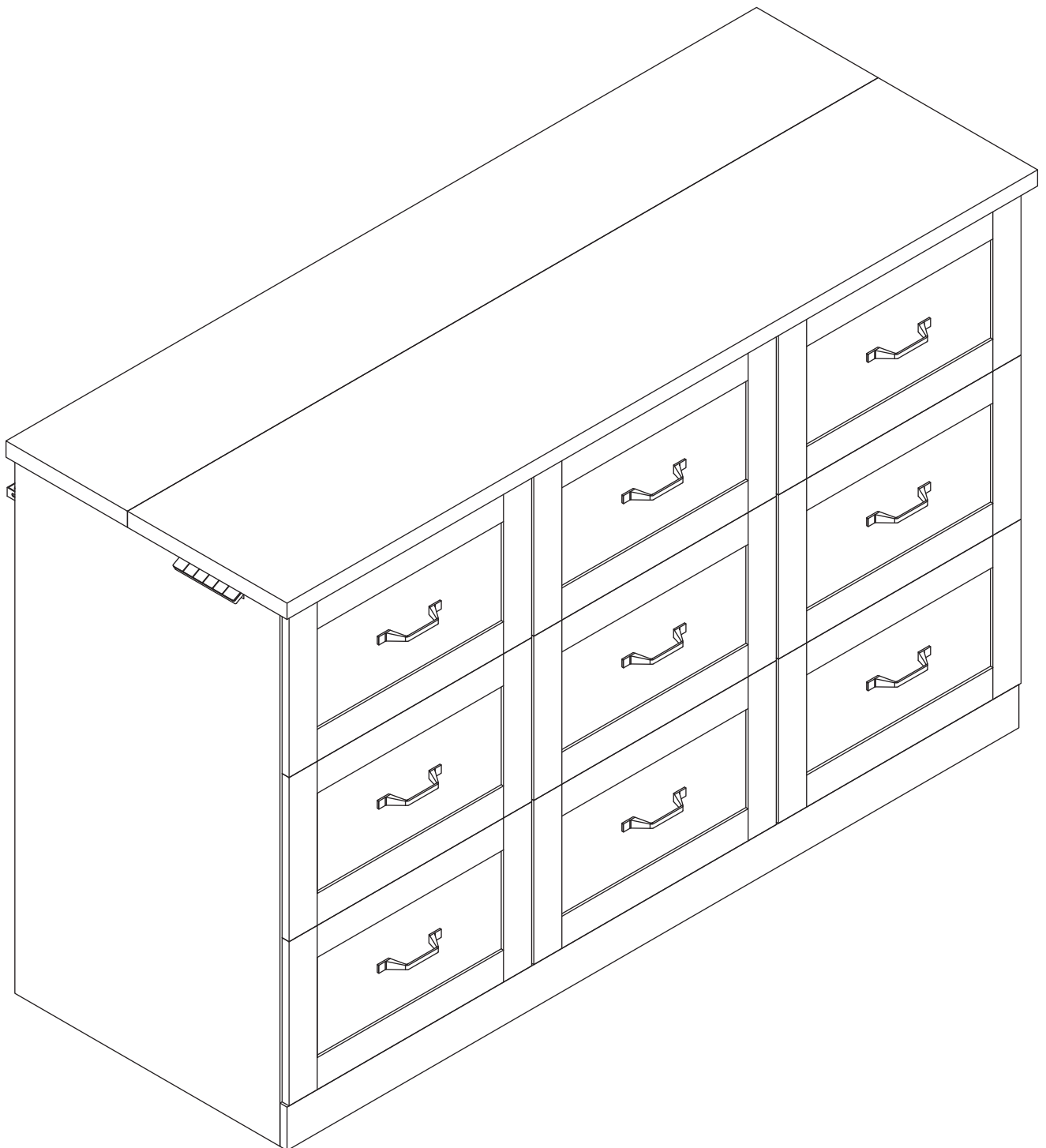
64



OR



65





# WARRANTY

## WARRANTY CLAIMS

- There is a 30-day warranty for broken furniture or any other problems that do not work properly. The warranty will start from the date of purchase which must be verified by proof of purchase.
- Before making a claim, we may be able to answer your query, simply call us. Please leave your purchase order number, along with some details of the problem, if you want a replacement part. We will arrange within 48 hours. If there is out of stock, we will reply with a shipping date.
- The product must be used in accordance with the instructions provided. For health reasons.
- For other reasons, if the furniture needs to be returned, it must be cleaned and dried and operated within 30 days of receipt.

## Type of Warranty Claim

- Failure to follow the furniture instructions will invalidate the warranty. Attention please.
- Does not include damage during installation, but includes damage during transportation.

## Scope of responsibility

- Shall not bear any responsibility for misuse or user damage and / or loss of parts during the installation of furniture.
- After using, the damage and scratches of the furniture are not covered by the warranty.

## The Warranty Relates to All Bought in The Us and Covers The Following Areas

- Sheet parts: 1 month from the date of purchase.
- Electrical parts: 1 month from the date of purchase.

# RETURNS

## CHANGED YOUR MIND AND NEED TO RETURN YOU ITEM?

### PLEASE FOLLOW THE BELOW INSTRUCTIONS:

- If you have purchased and have simply changed your mind, follow the retailer's instructions for returns.

### DEFECTIVE ITEMS

- If your item is defective in any way, i.e. it doesn't work but you can't identify why, in the first instance, please call us.

### DAMAGED ITEMS

- If you receive an order with obvious shipping damage from the retailer, then we suggest the delivery is refused. If the delivery has been accepted and then shipping damage is found, please follow the specific instructions advised by the retailer.  
In all circumstances please save all packaging material and paperwork for the order. Please be aware that if you dispose of packaging material or attempt to return the merchandise without contacting the fulfiller, you jeopardise your chances of making a claim, and you may not receive a credit for the return.

### AFTER-SALES CONTACT



adelahu@fufugaga.com



208-820-0068