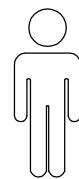
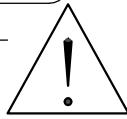
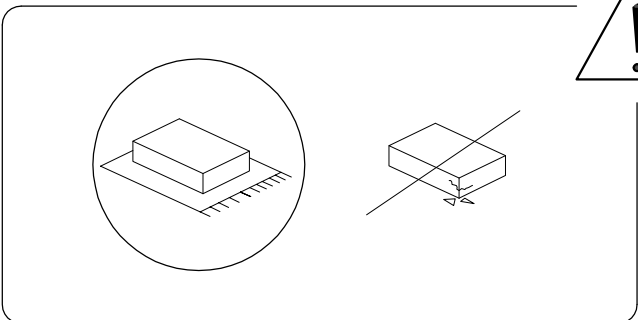
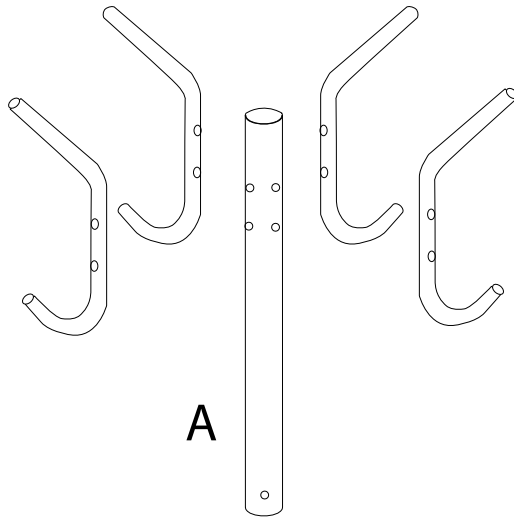


20'

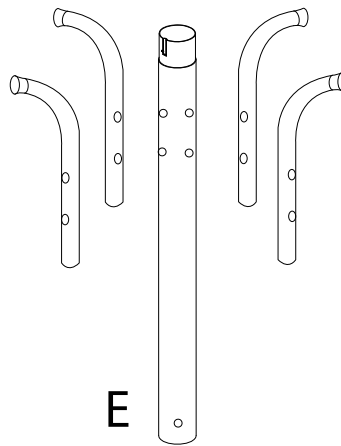


1

D x 4



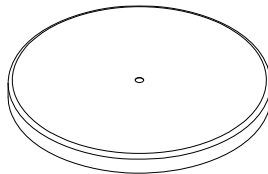
N x 4



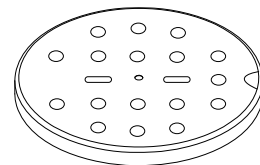
C



B



B



A



x 1

B



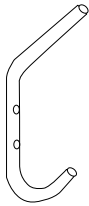
x 1

C



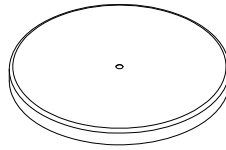
x 1

D



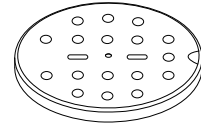
x 4

E



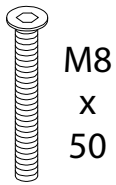
x 1

F



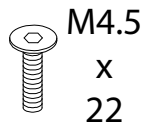
x 1

G



x 1

H



x 16

I



x 1

J



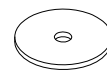
x 16

K



x 1

L



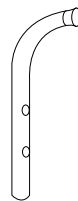
x 1

M



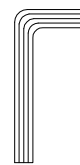
x 1

N



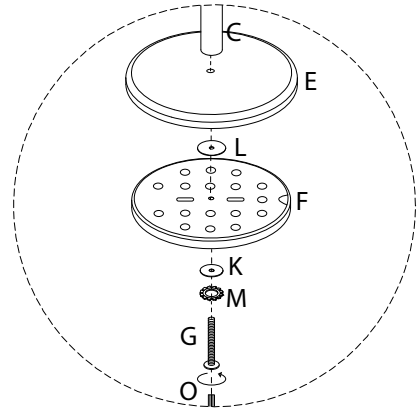
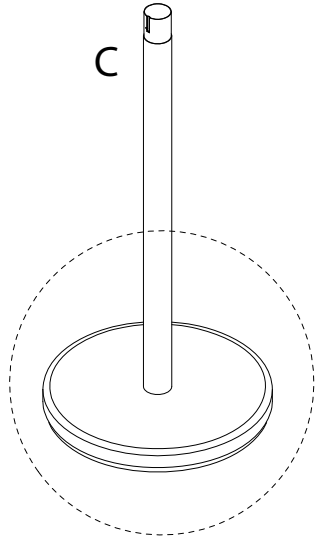
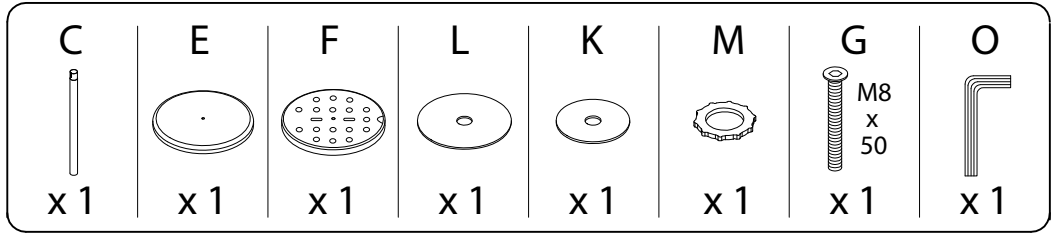
x 4

O

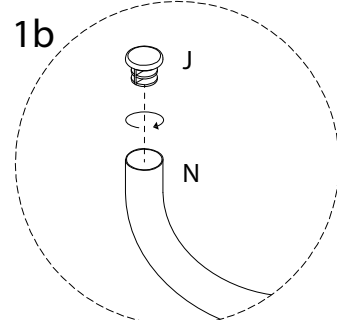
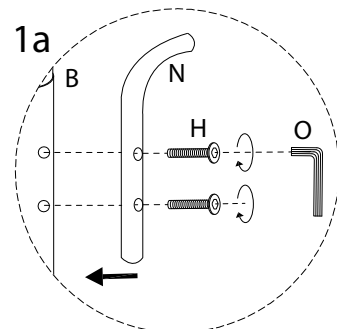
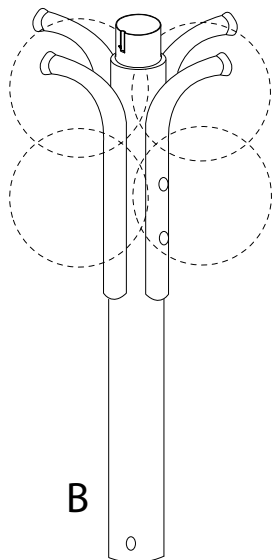
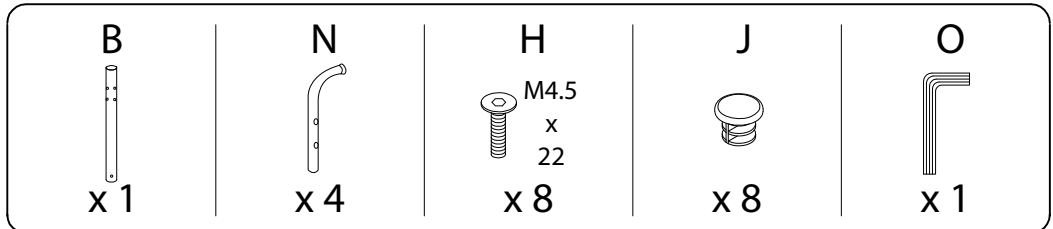


x 1

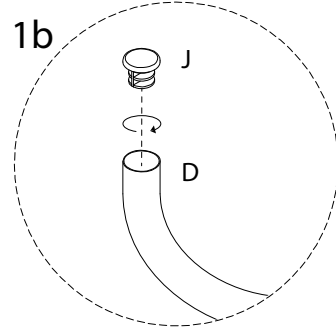
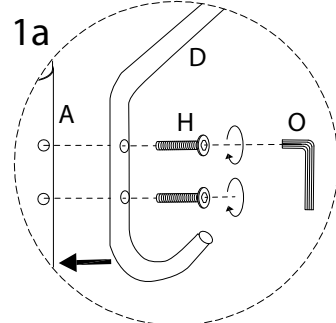
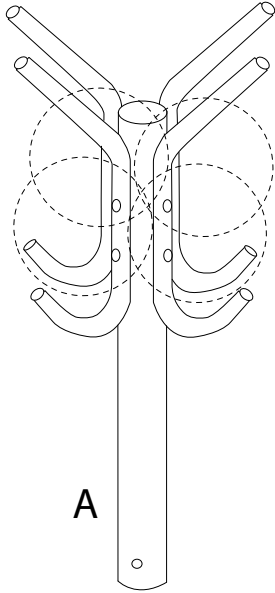
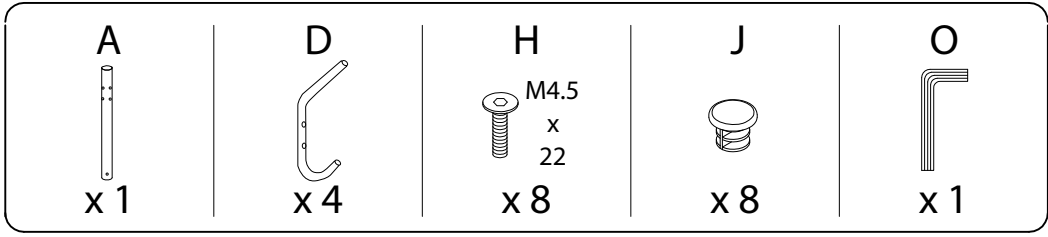
1



2



3



4

