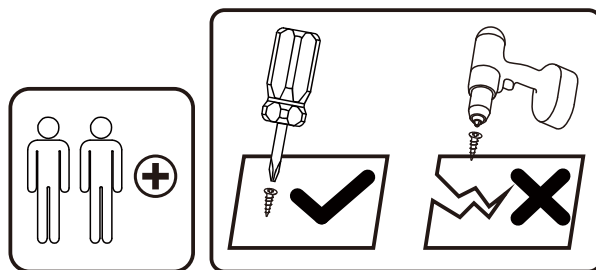
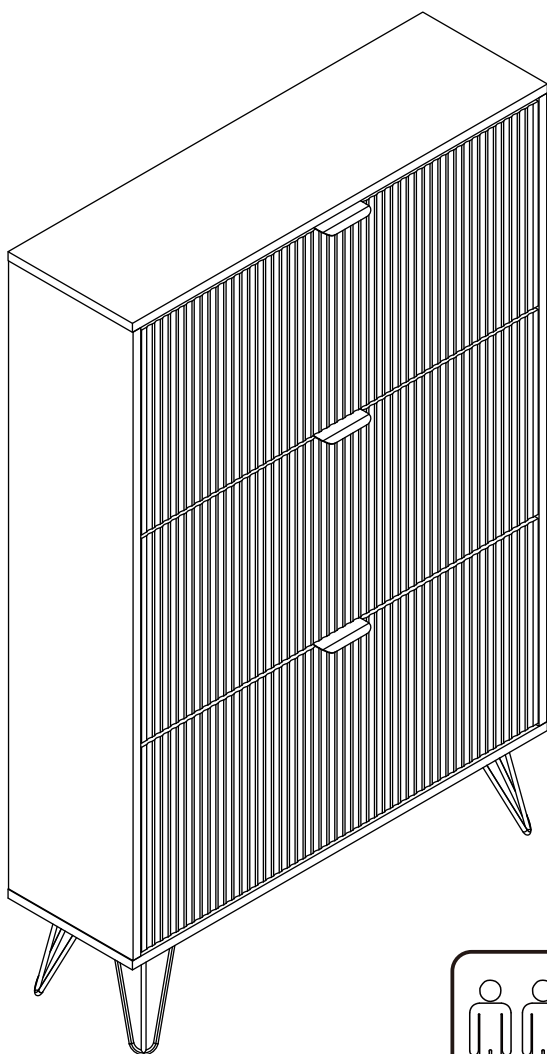


ASSEMBLY INSTRUCTIONS

Customer Service : cs@nbrehome.com



Tools Recommended

THIS INSTRUCTIONS CONTAINS IMPORTANT SAFETY INFORMATION.
PLEASE READ BEFORE ASSEMBLY AND KEEP FOR FUTURE REFERENCE.

Need Parts or Assistance? Email us : cs@nbrehome.com

IMPORTANT NOTICE

- This product contains small components, please ensure that they are kept away from small children.
- THIS INSTRUCTIONS CONTAINS IMPORTANT SAFETY INFORMATION.
PLEASE READ BEFORE ASSEMBLY AND KEEP FOR FUTURE REFERENCE.
- Read each step carefully. It is very important that each step of instruction is performed in the correct order. If these steps are not followed in sequence, assembly difficulties will occur.
- Make sure all parts are included. Most parts are labelled or stamped on the raw edge.
- Work in spacious area, preferably on a carpet, near the place the unit will be used.
- Do not use power tools to assemble your furniture. Power tools may strip or damage the parts.
- Move your new furniture carefully, with two people lift and carry the unit to it's new location.
- Never push, drag or pull your furniture (especially on carpet)



PLEASE DO NOT RETURN PRODUCT TO US IMMEDIATELY

If a part is missing or damaged, email our customer service.
We will gladly ship your replacement parts FREE of charge.

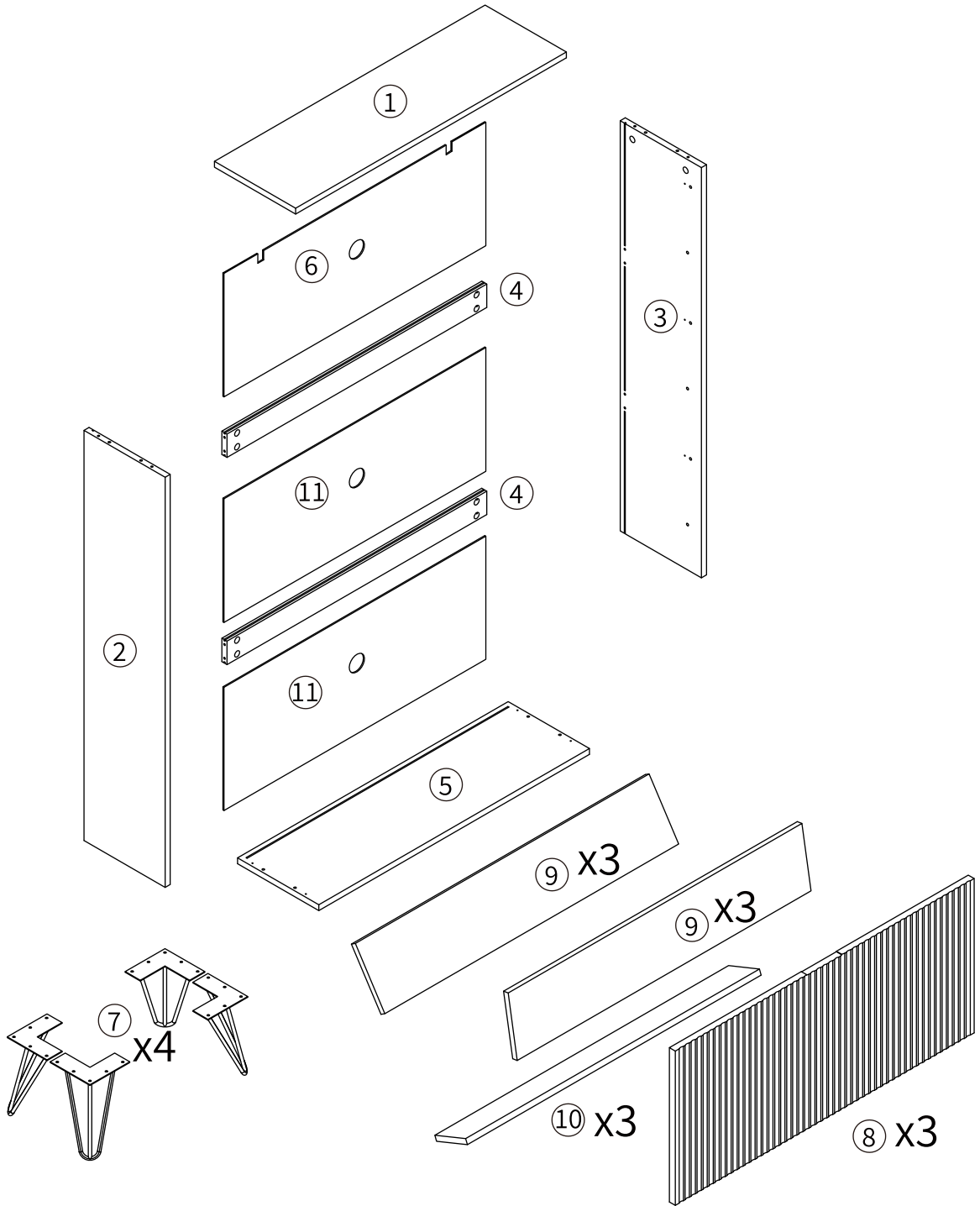
Need Parts or Assistance? Email us : cs@nbrehome.com



















For Prompt, reliable service, please have your assemble instruction ready

WARNING

	<p>Children have died from furniture tipover. To reduce the risk of furniture tipover:</p> <ul style="list-style-type: none">• ALWAYS install anti-tip device provided.• NEVER put a TV on this product.• NEVER allow children to stand, climb or hang on any drawers, doors, or shelves.• NEVER open more than one drawer at a time.• Place heaviest items in the lowest drawers.
	<p>This is a permanent label. Do not remove!</p>

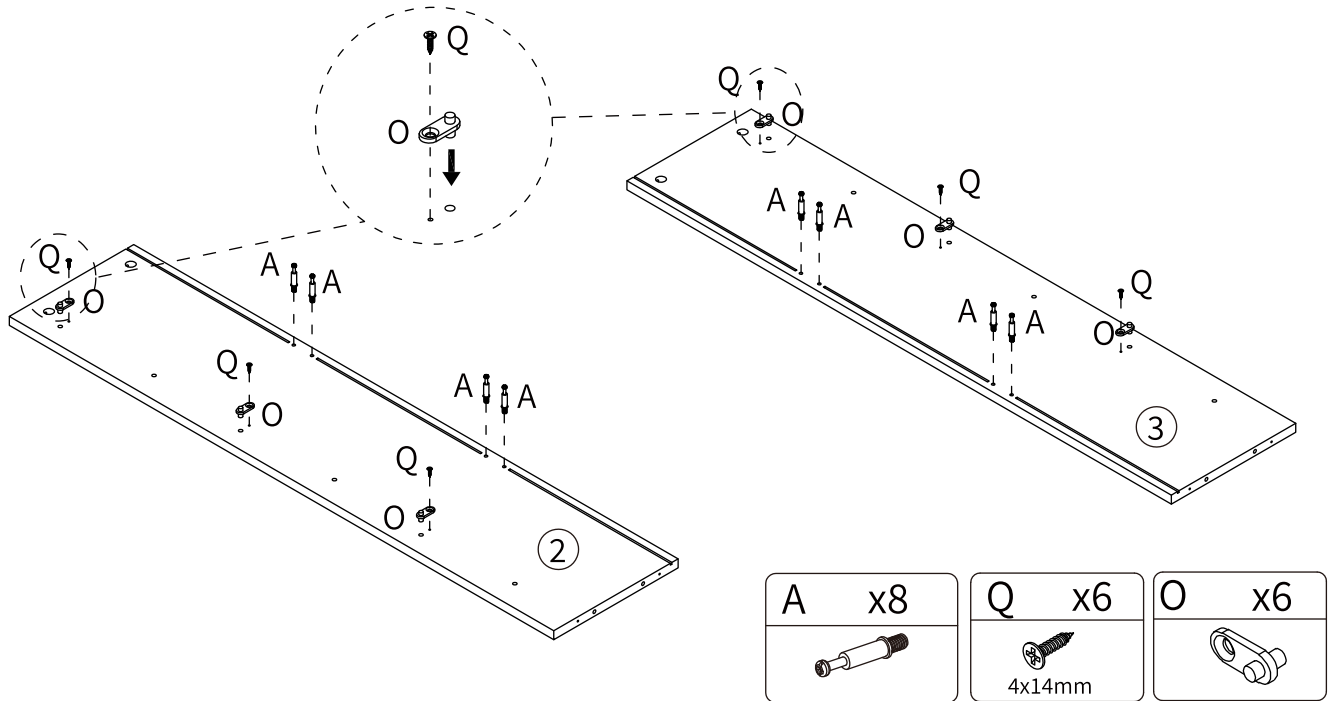
The installation direction should be aligned with the instructions to prevent plate breakage caused by product tipping during installation.



A x12  6x35mm	B x12 	C x8  6x30mm	D x4  4x40mm	E x3 	F x6  3x12mm	G x24  3x14mm
H x24 	I x2 	J x22  4x12mm	K x2  4x35mm	L x3 	M x2 	N x6  6x15mm
O x6 	P x6 	Q x42  4x14mm	R x3 			

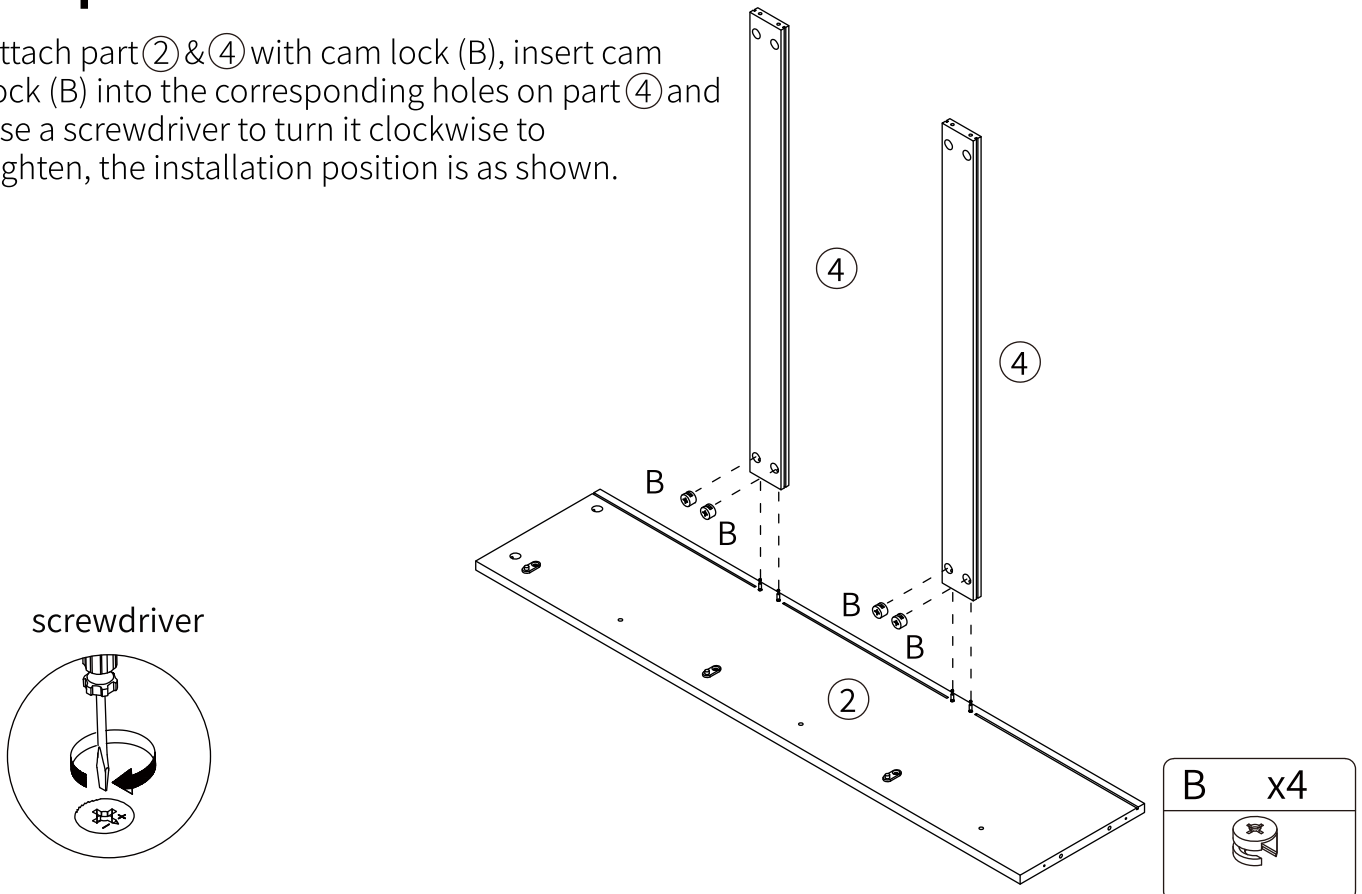
Step 1

Put parts (O) into the side panel ② & ③ and secure with the screw (Q), the position per below shown figure.
Install the screw (A) on the side panel ② & ③.



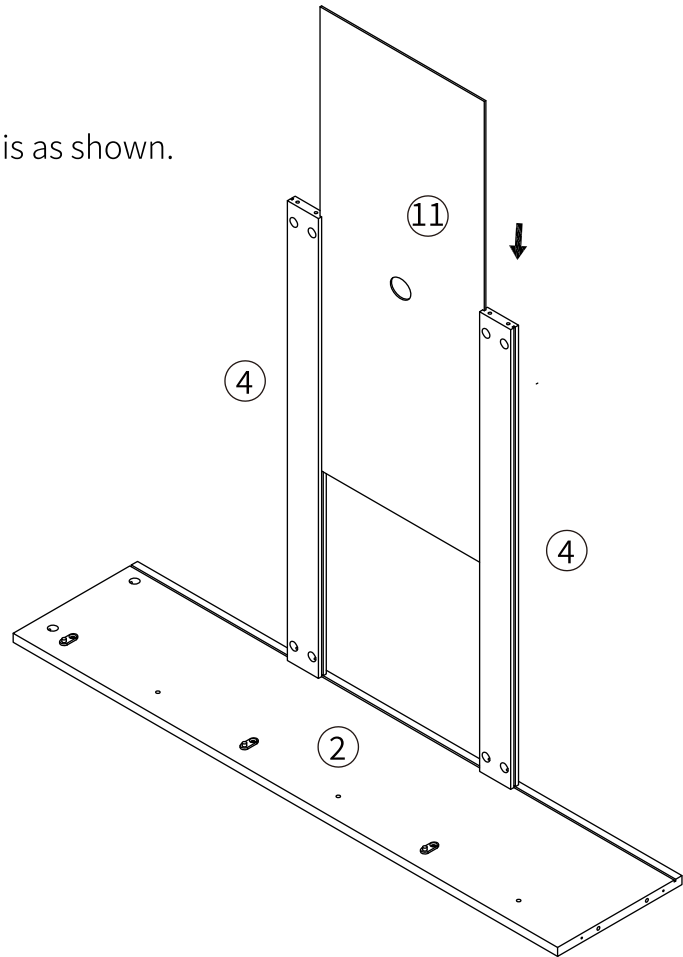
Step 2

Attach part ② & ④ with cam lock (B), insert cam lock (B) into the corresponding holes on part ④ and use a screwdriver to turn it clockwise to tighten, the installation position is as shown.



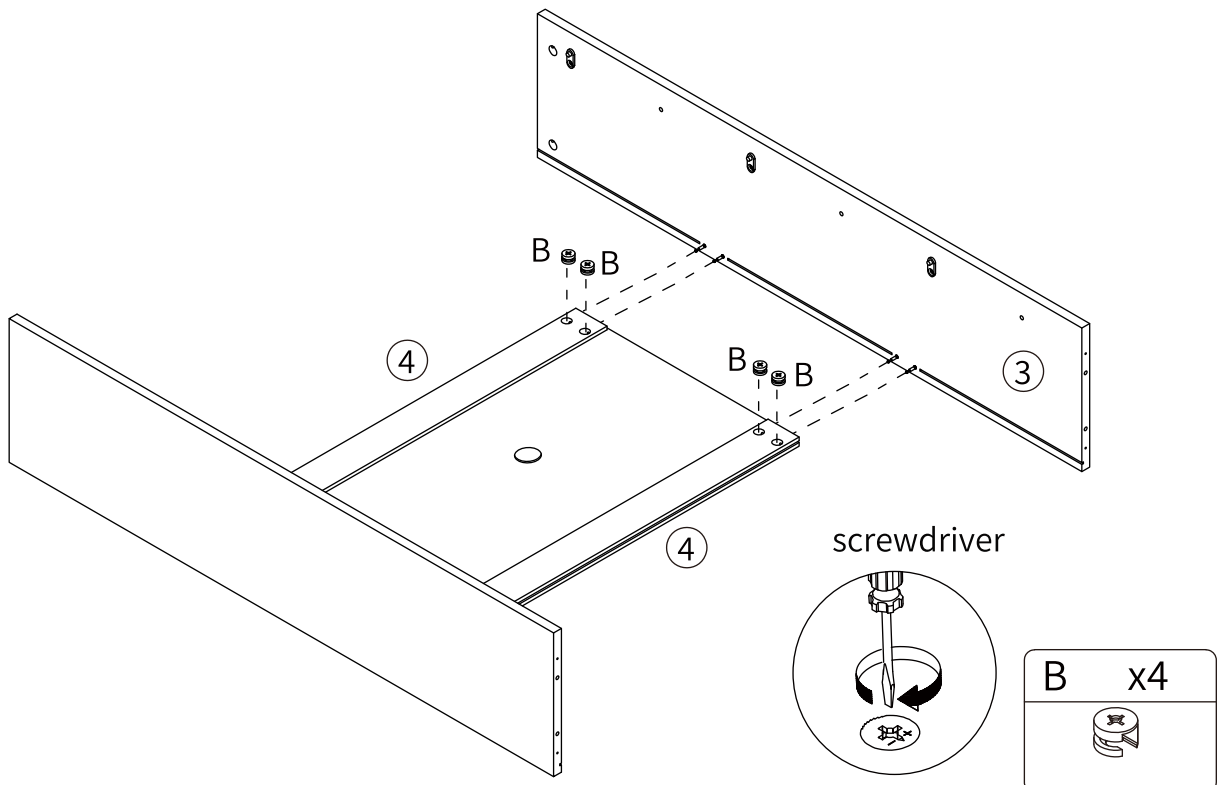
Step 3

Insert part ⑪ along the slot, the position is as shown.



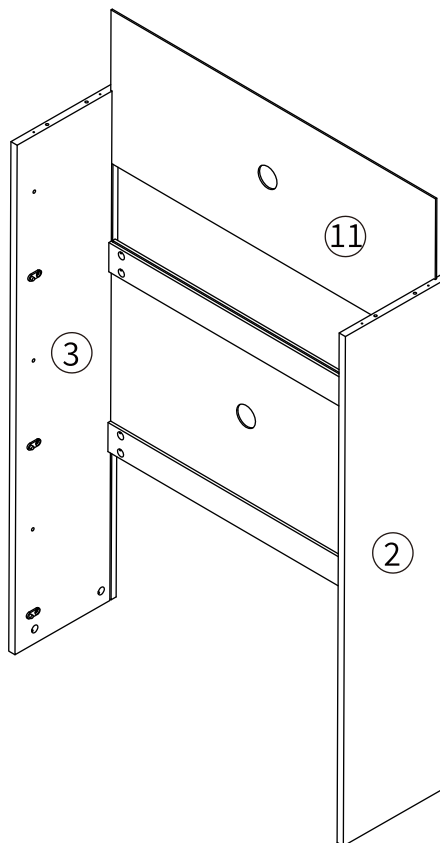
Step 4

Attach part ③ & ④ with cam lock (B), insert cam lock (B) into the corresponding holes on part ④ and use a screwdriver to turn it clockwise to tighten, the installation position is as shown.



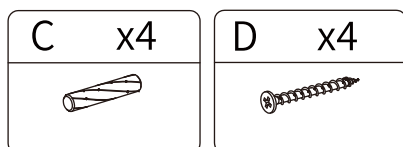
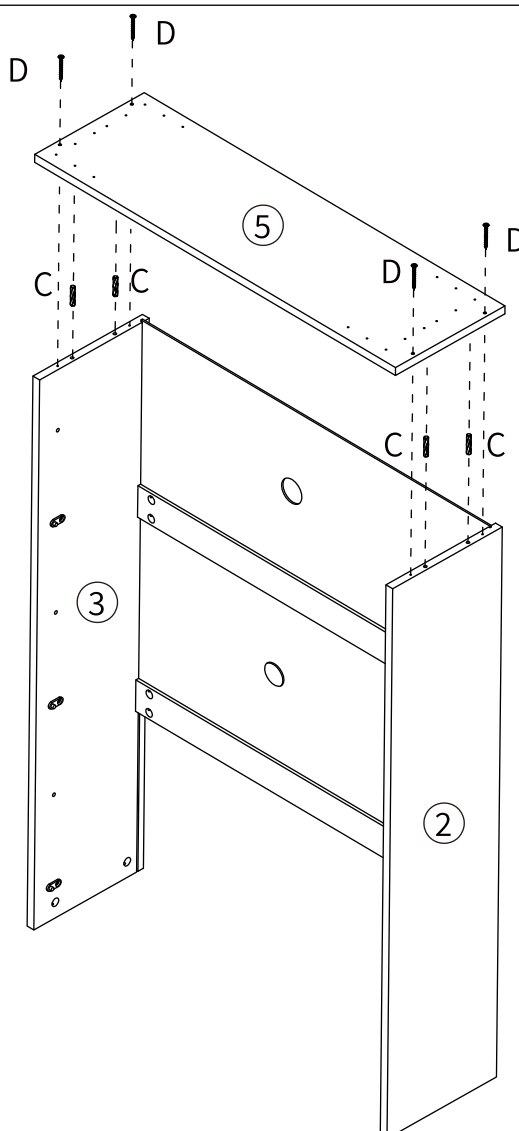
Step 5

Insert part ① along the slot, the position is as shown.



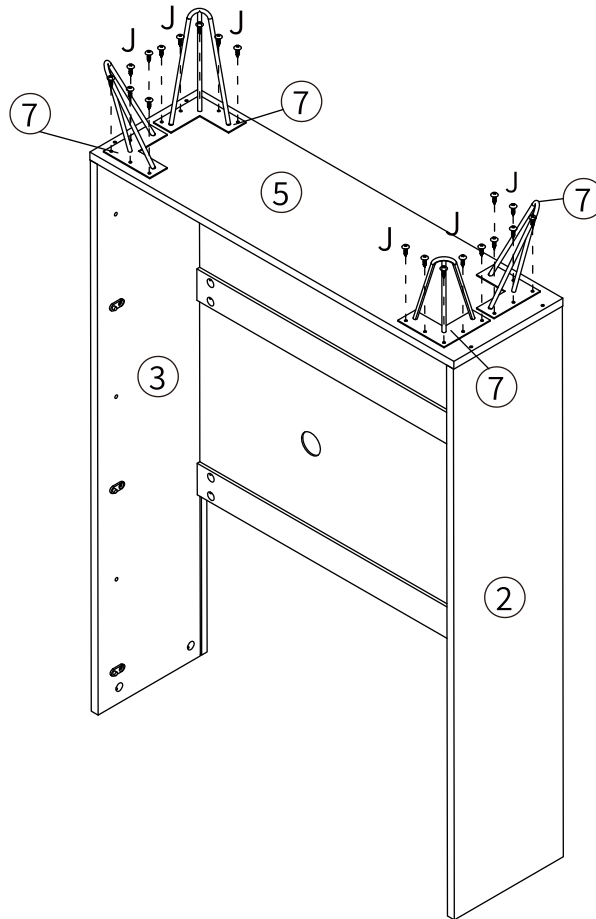
Step 6

Insert the dowel (C) on part ② & ③, Connect part ⑤ to part ② & ③ with screw (D).



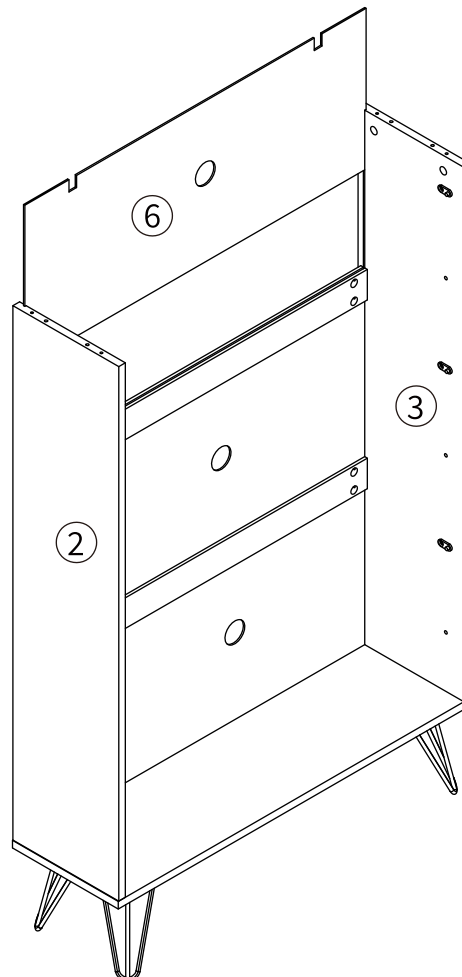
Step 7

Attached metal feet (7) on bottom panel (5) and secure with the screw (J).



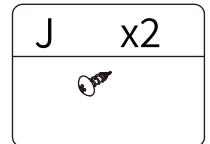
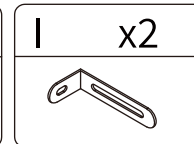
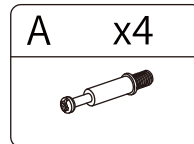
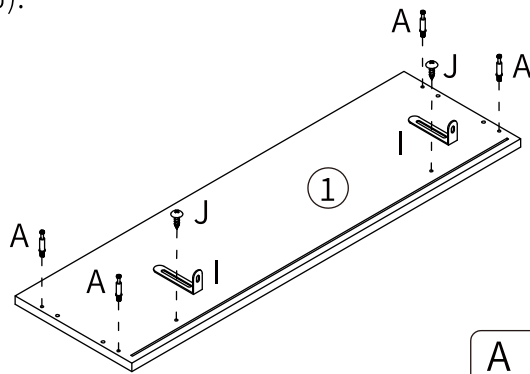
Step 8

Insert part (6) along the slot, the position is as shown below.



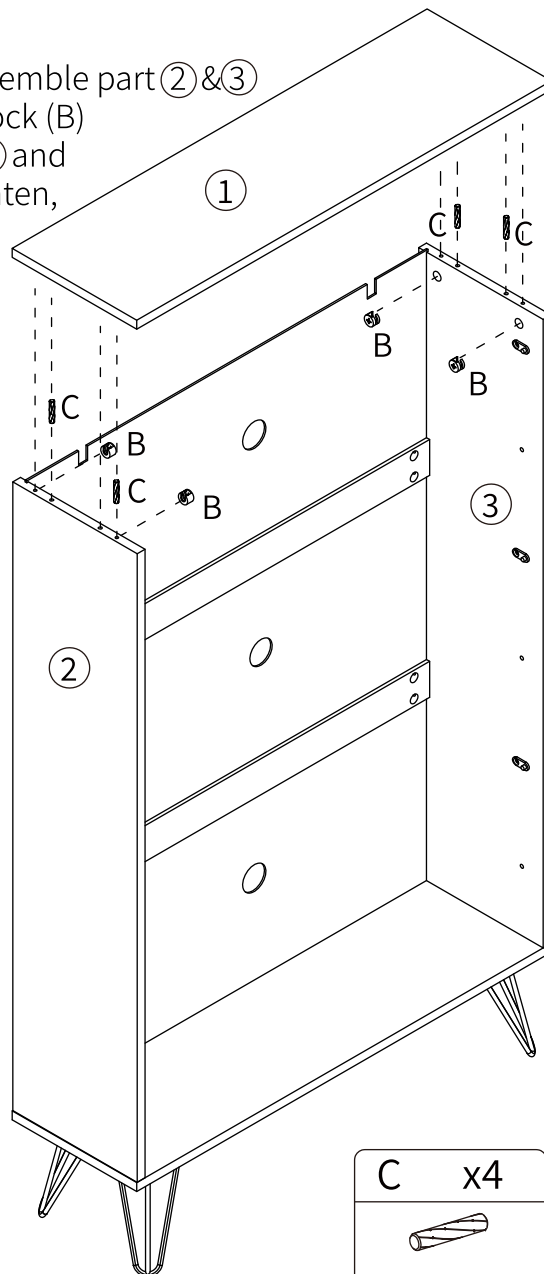
Step 9

Install the screw (A) on the part ①, fasten the L-shaped iron piece (I) with screw (J).

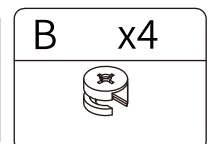
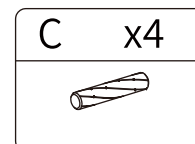
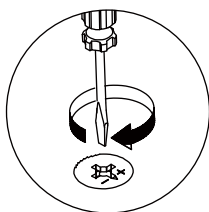


Step 10

Insert the dowel (C) on part ②&③, then assemble part ②&③ and part ① with camlock (B), put the cam lock (B) into the corresponding holes on part ②&③ and use a screwdriver to turn it clockwise to tighten, the installation position is as shown.

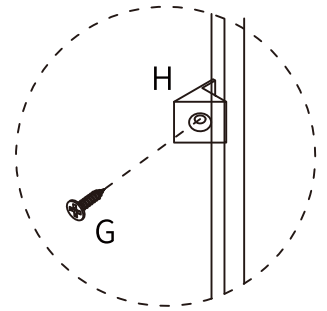
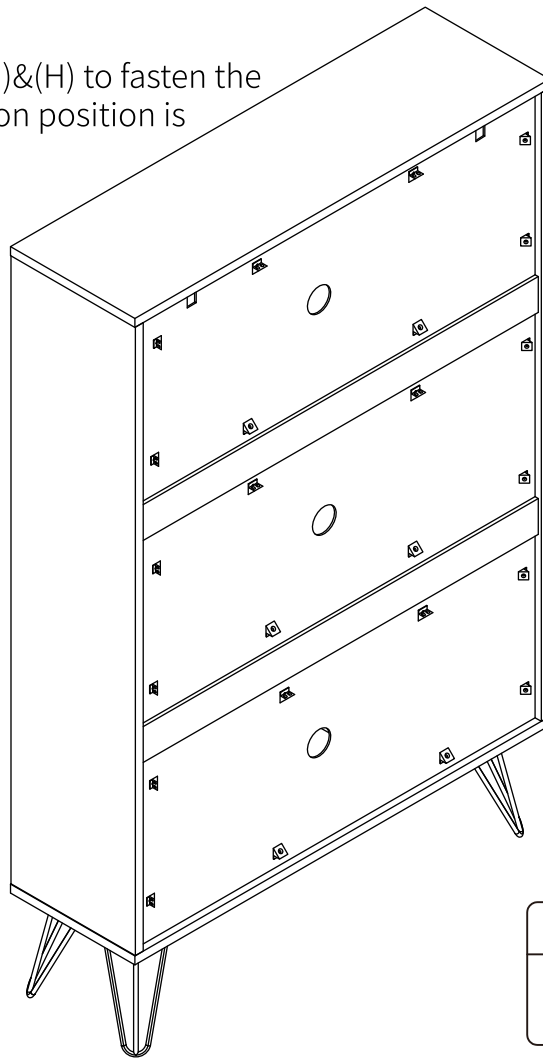




screwdriver



Step 11

Use the screws in component (G)&(H) to fasten the back plate buckle. The installation position is as shown in the figure below.

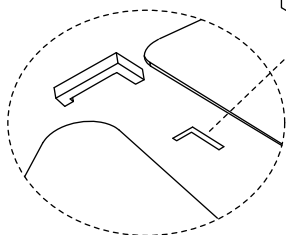
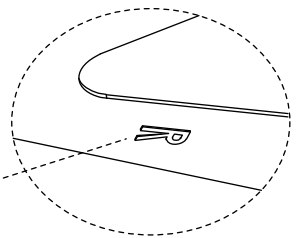
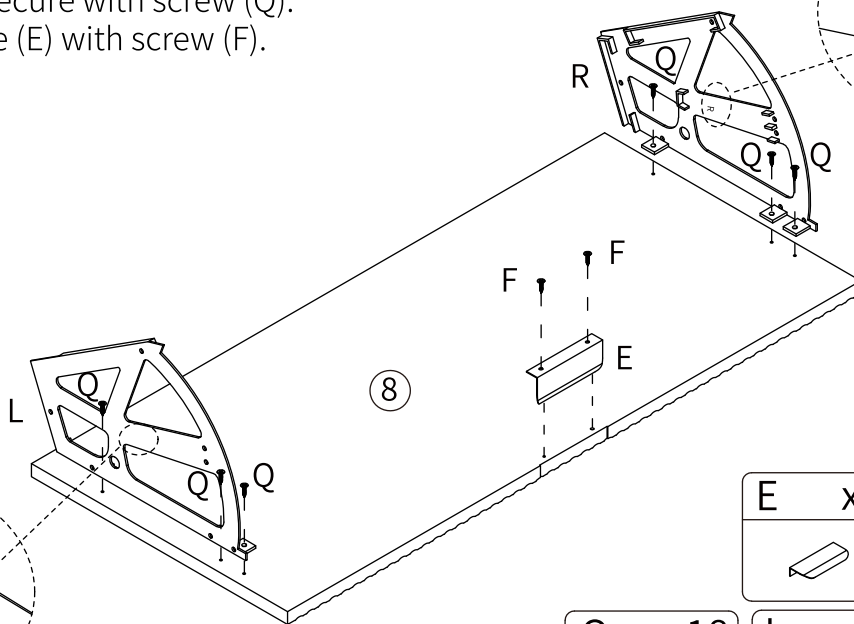







G	x24	H	x24
			

Step 12

Put (L) & (R) on front (8) panel per below figure shown and secure with screw (Q). Install metal handle (E) with screw (F).

x3

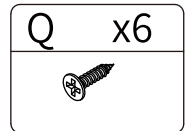
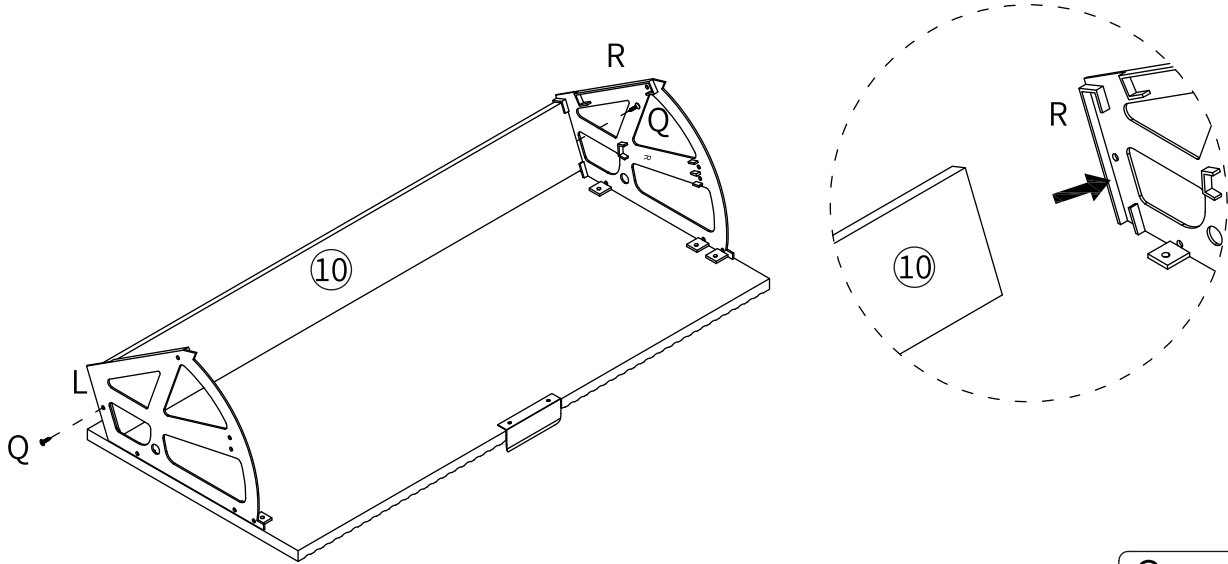


E	x3	F	x6
			
Q	x18	L	x3
			
		R	x3
			

Step 13

Put panel ⑩ into (L) & (R) and secure with screw (Q) from both ends.

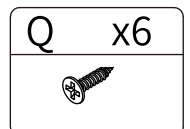
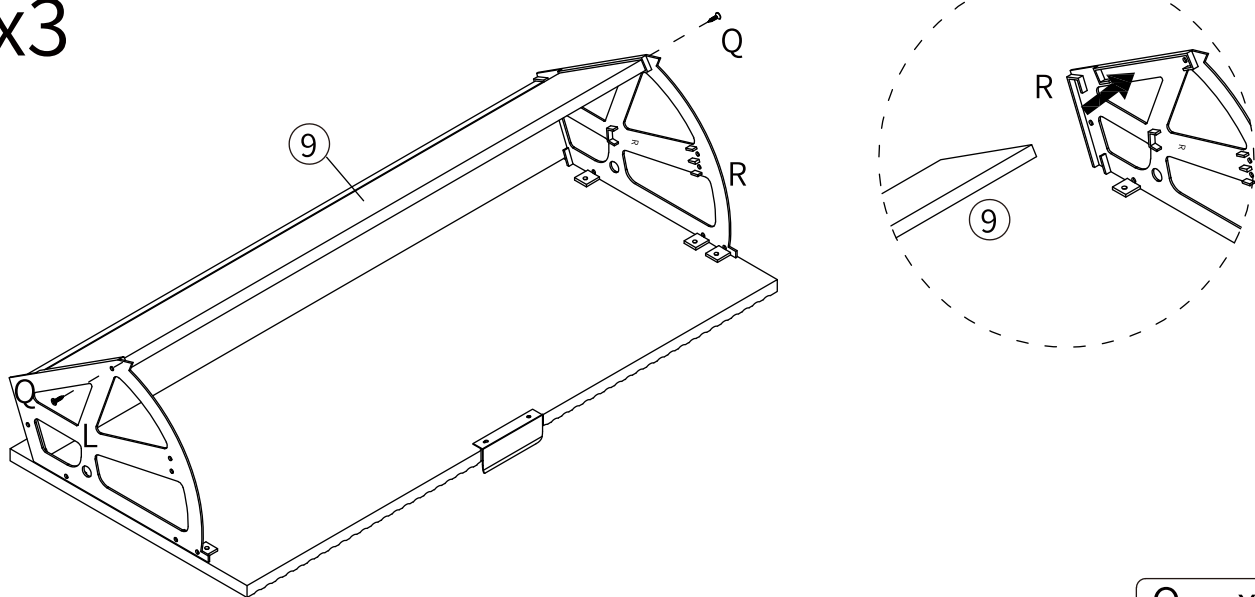
x3



Step 14

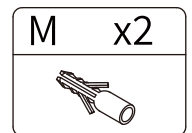
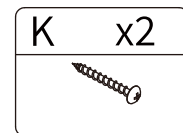
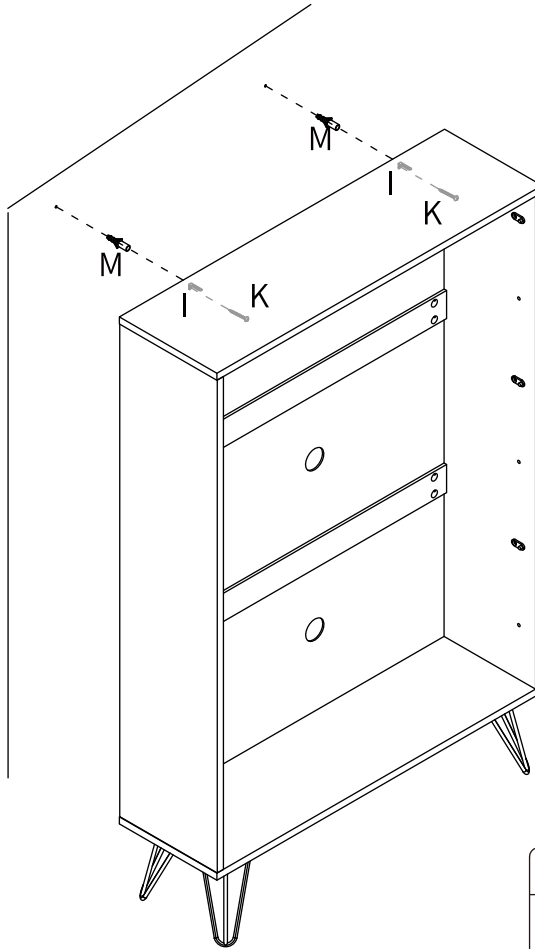
Put panel ⑨ into (L) & (R) and secure with screw (Q) from both ends.

x3



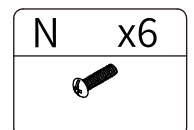
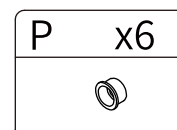
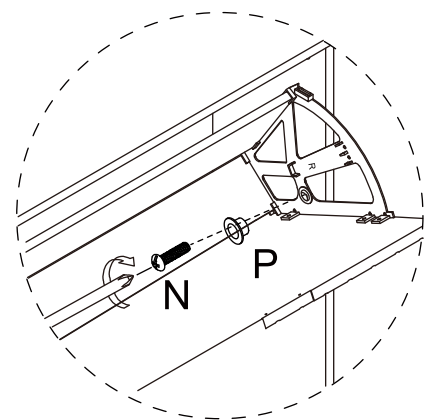
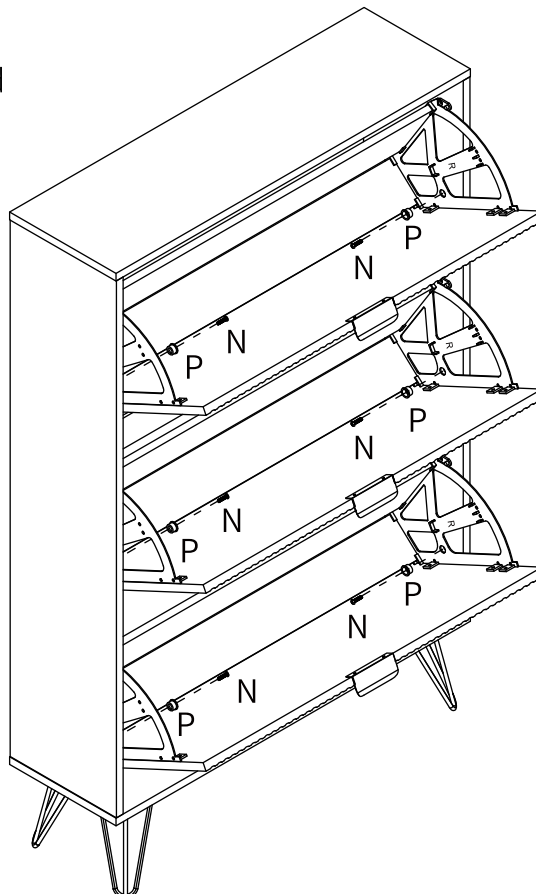
Step 15

First drill holes on the wall where it is placed, and then place screw (M) into the pre-drilled hole in the wall and put screw (K), through the L-shaped iron piece (I), into screw (M).



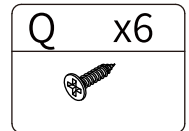
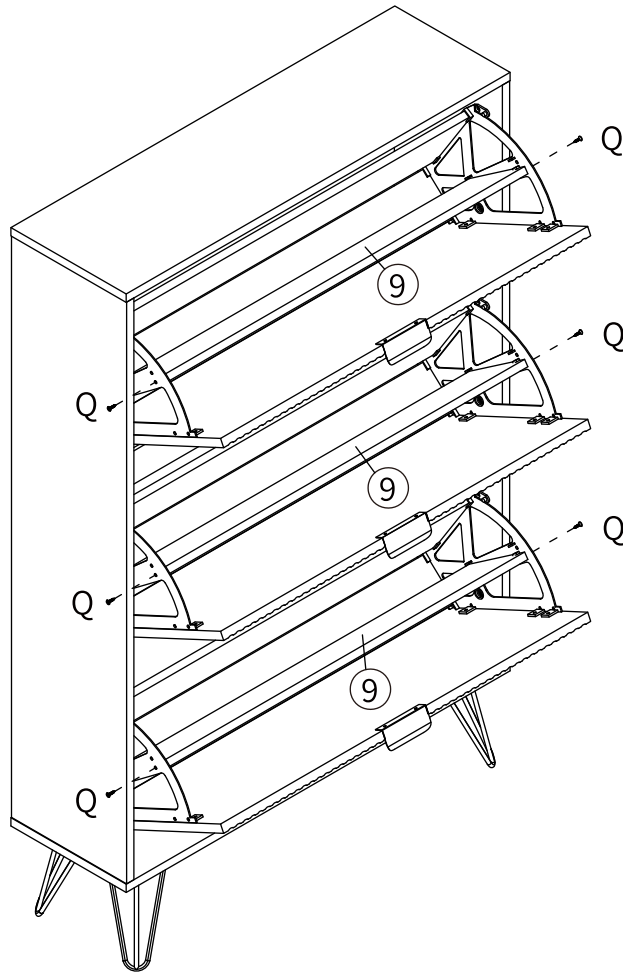
Step 16

Put (P) into (L) & (R) then align with panel ② & ③ and secure with bolt (N). The installation location is as shown.



Step 17

Put panel ⑨ into (L) & (R) and secure with screw (Q) from both ends.



Step 18

