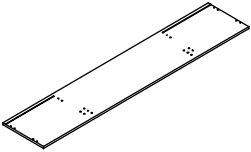
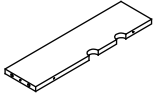
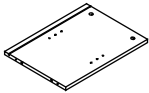
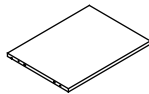
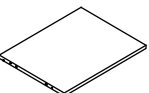
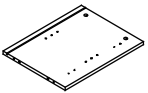
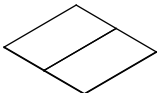
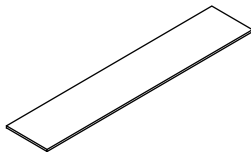
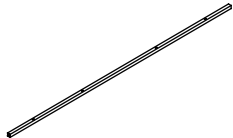
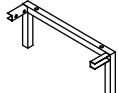
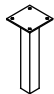

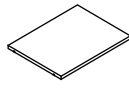


# ASSEMBLY INSTRUCTIONS

## Part List:



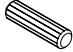









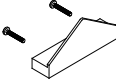
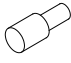
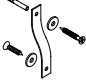
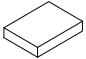
ITEM	DESCRIPTION	PART	QTY
1	Bottom panel		1
2	Fireplace fixing panel		2
3	Left central upright		1
4	Right central upright		1
5	Left side		1
6	Right side		1
7	Backboard		2

## Part List:

ITEM	DESCRIPTION	PART	QTY
8	Top panel		1
9	Bottom support		2
10	Leg		2
11	Central support		2
12	Door		2
13	Shelf		2

# ASSEMBLY INSTRUCTIONS

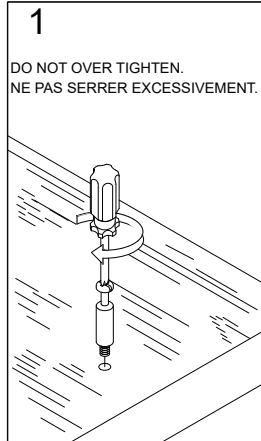
## Hardware List:

ITEM	DESCRIPTION	PART	QTY
A	7*43mm Male Camlock		8
B	Female Camlock		8
C	8*30mm Dowel		24
D	3.5*14mm Screw		16
E	5*40mm Screw		10
F	4*14mm Screw		12
G	6*10mm Bolt		8
H	Hex Key		1
I	6*30mm Bolt		12
J	3*16mm Back Panel Stiffener		8
K	Hinge		4
L	Adjustable Support Cap		2
M	Handle		2
N	Shelf Support		8
O	Wall Strap		2
P	Fireplace Support		2

# Using Camlocks

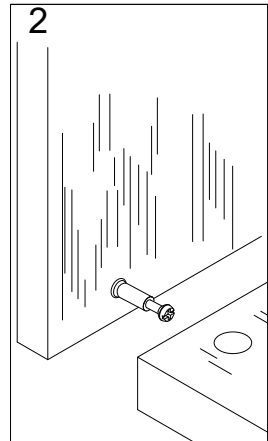
## Step 1

Connect the male camlock as directed in the assembly instructions using a screwdriver.



## Step 2

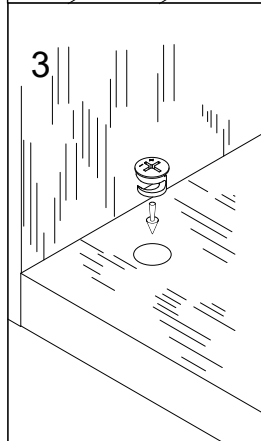
Push the male camlock into the entry hole.



## Step 3

Insert the female camlock as shown in the instructions.

Note: ensure that the arrow on the top of the camlock points towards the entry hole for the male camlock.

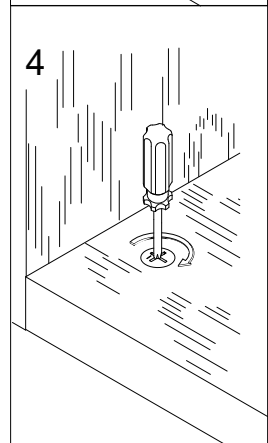


## Step 4

Turn the female camlock clockwise with a screwdriver.

You should feel a click when the camlock is locked in place.

The joint is now secure.



# Adjusting Hinges

## Hinge adjustment:

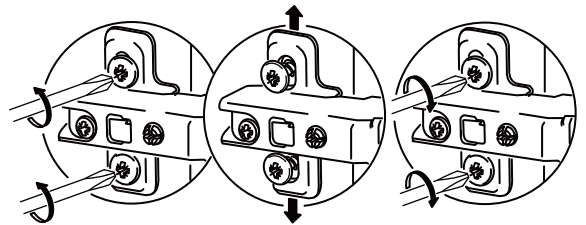
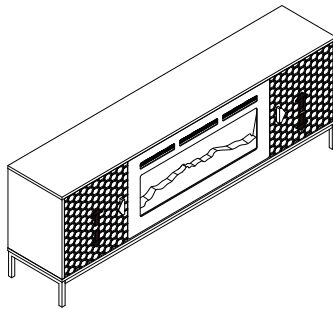
a: To move the door up or down, loosen screws shown and move top panel to suit

b: To move the door in or out, loosen screws shown and move top panel to suit.

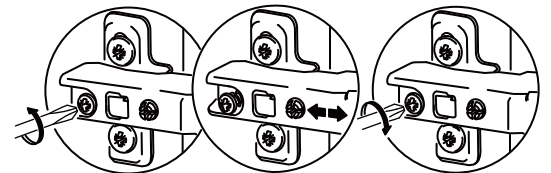
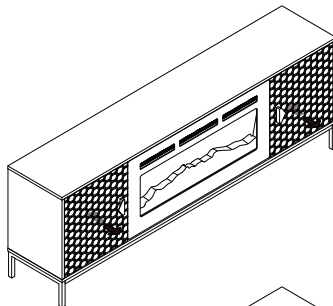
Retighten screws

c: To move the door left or right, adjust screws shown.

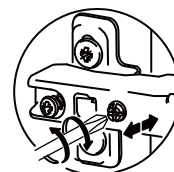
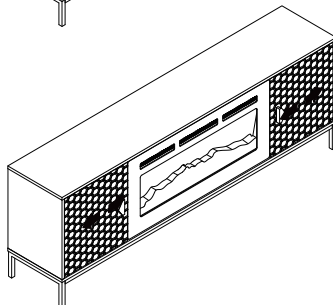
a:



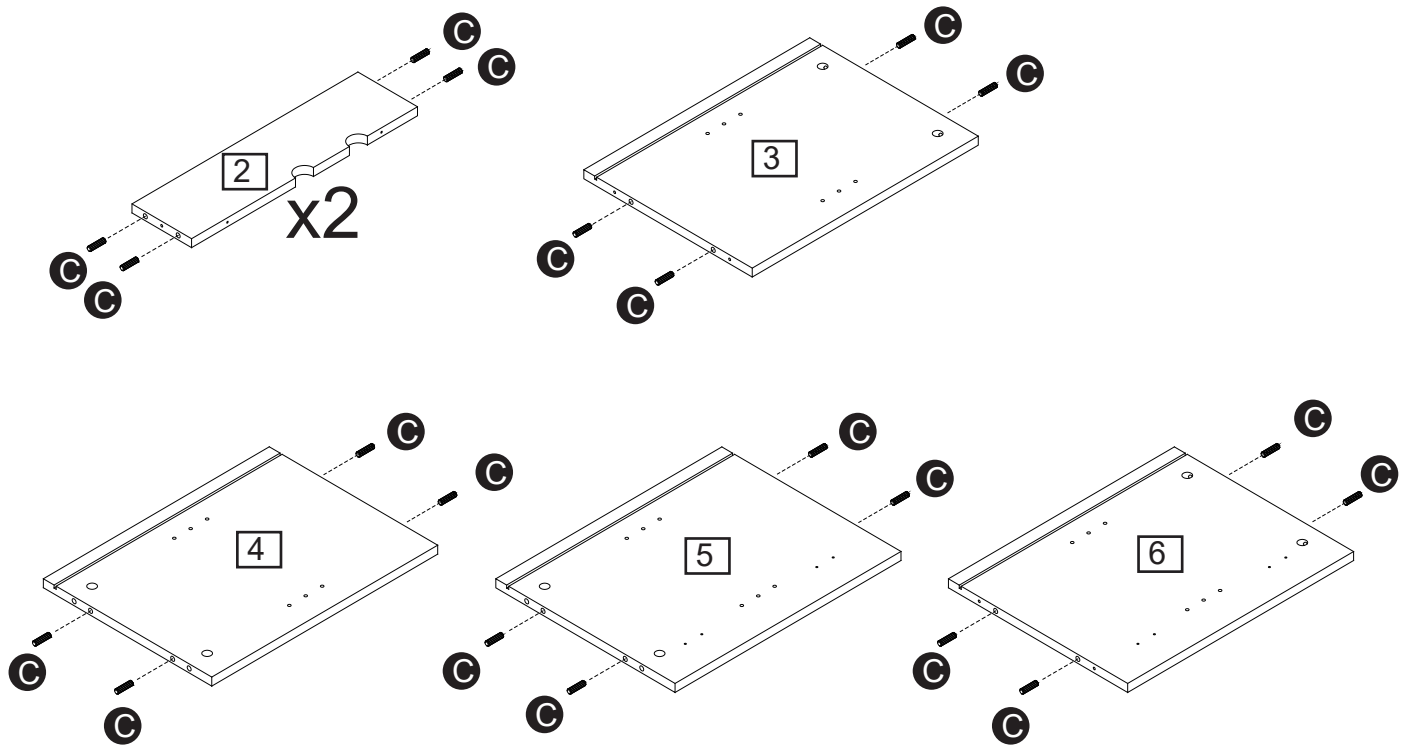
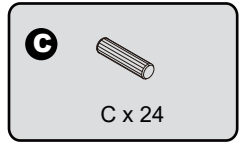
b:



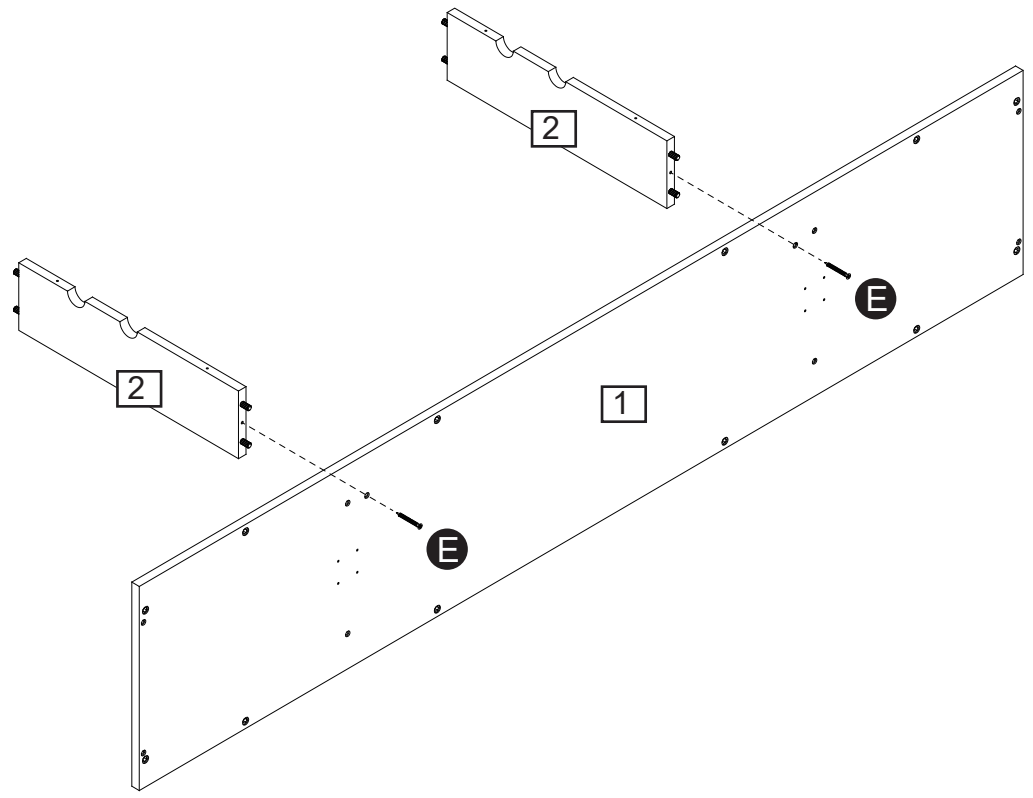
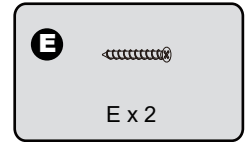
c:



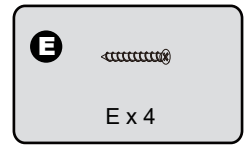
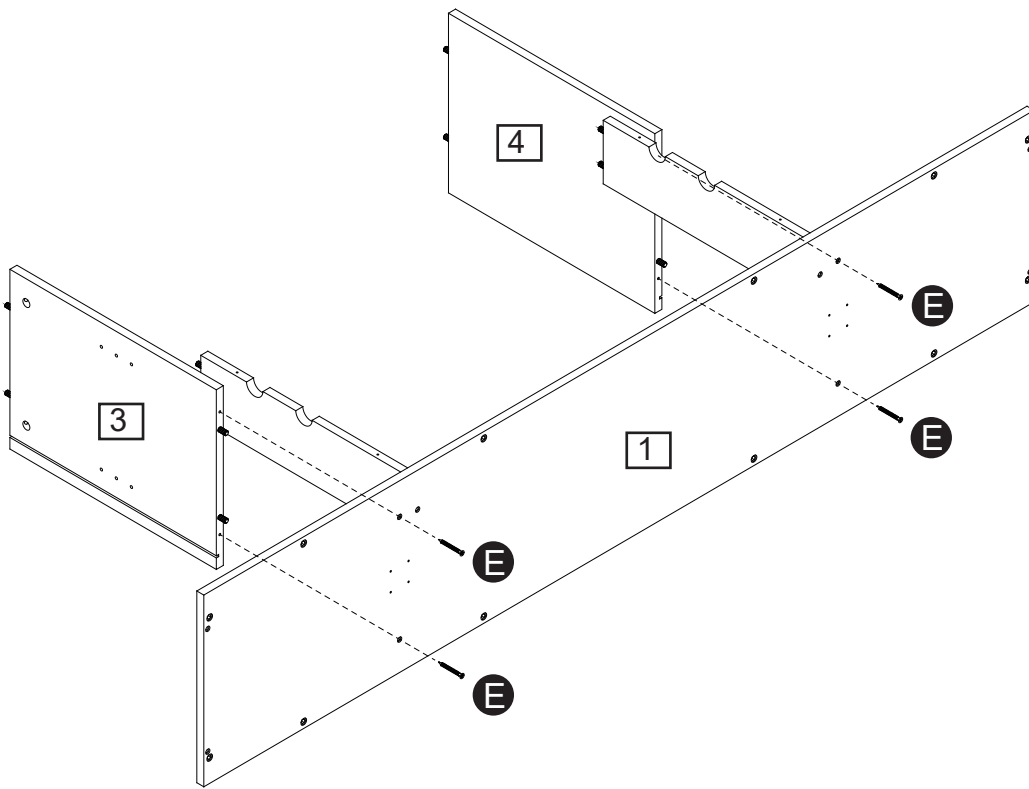
# 1



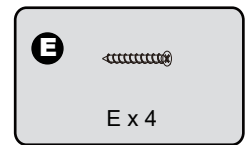
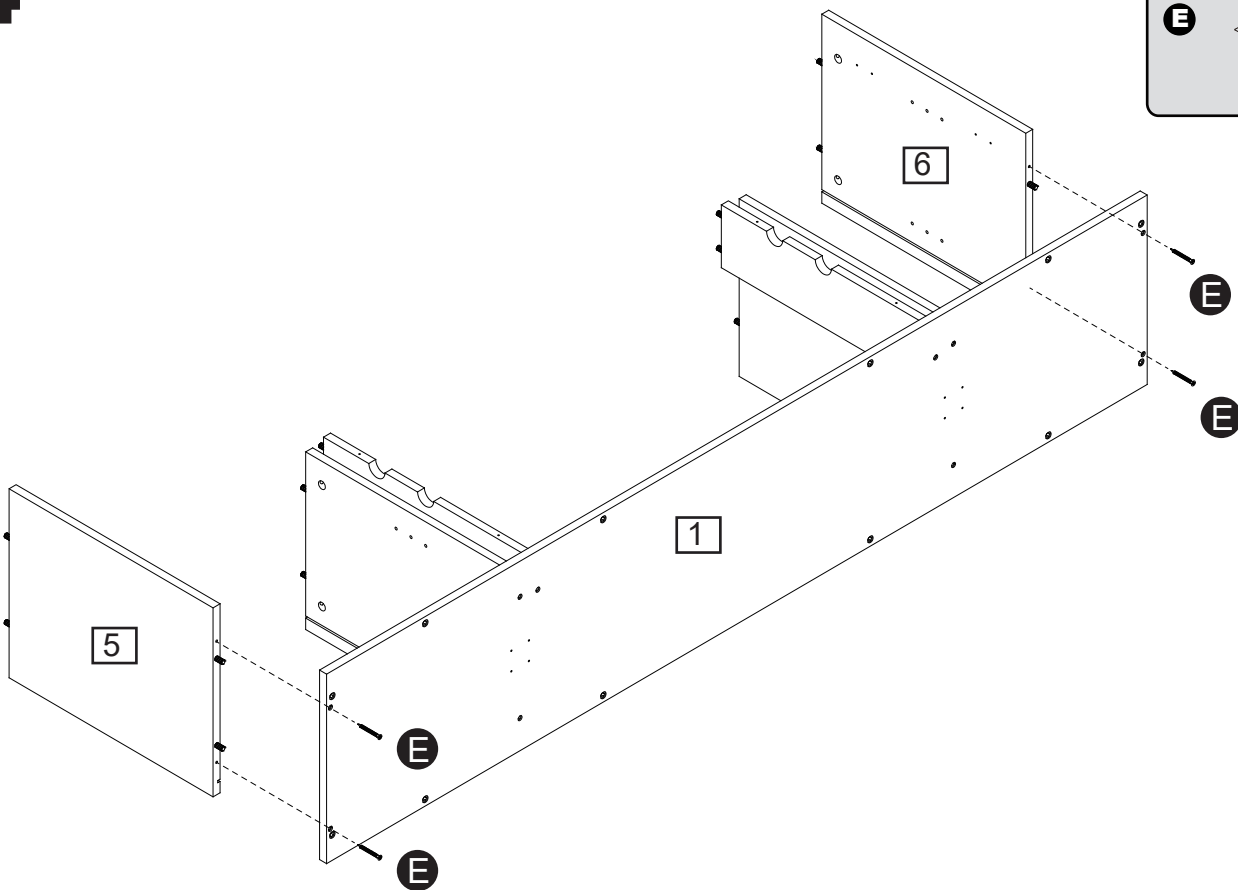
# 2



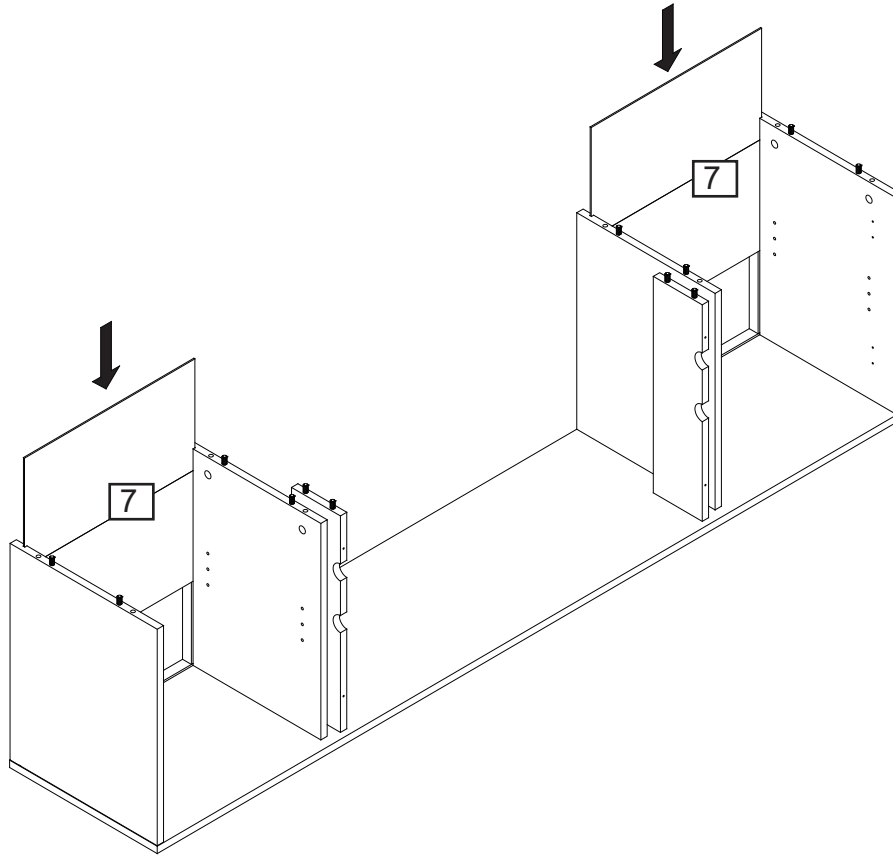
# 3



# 4

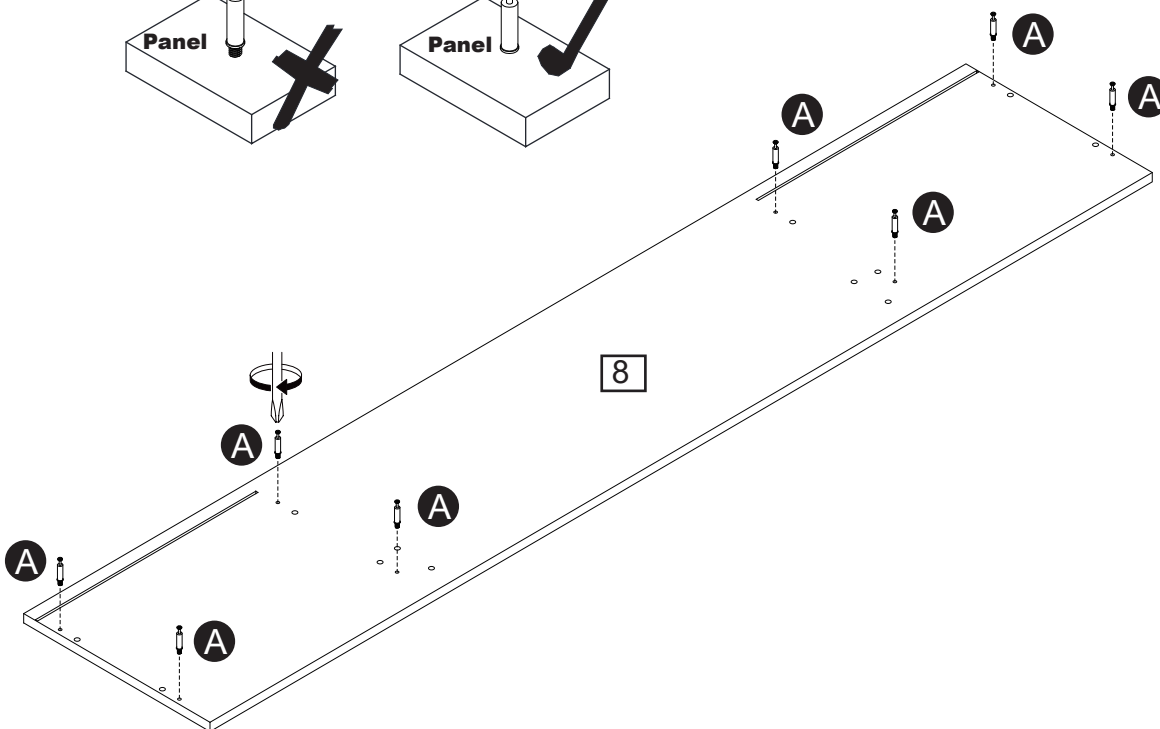
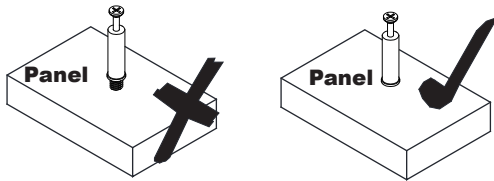
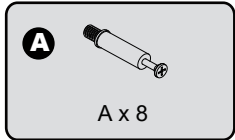
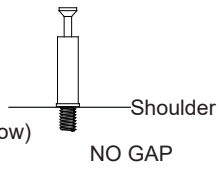


# 5

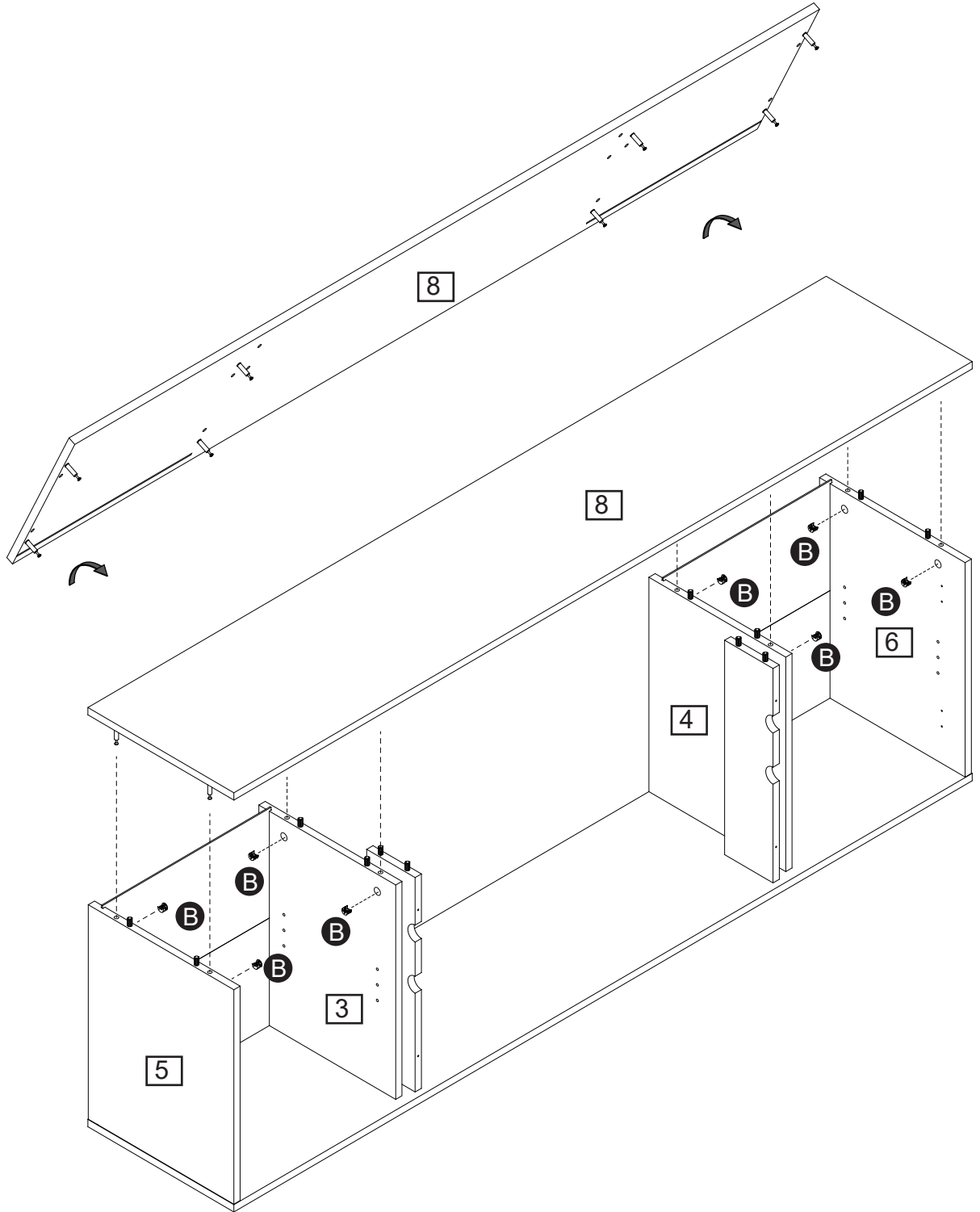
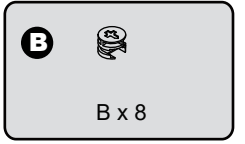
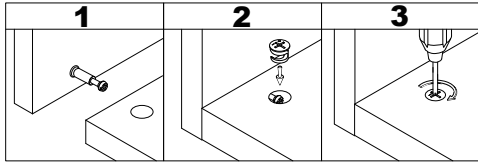


# 6

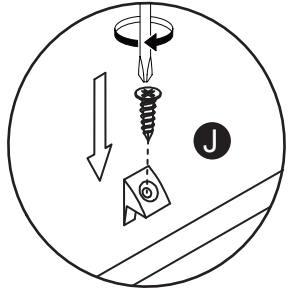
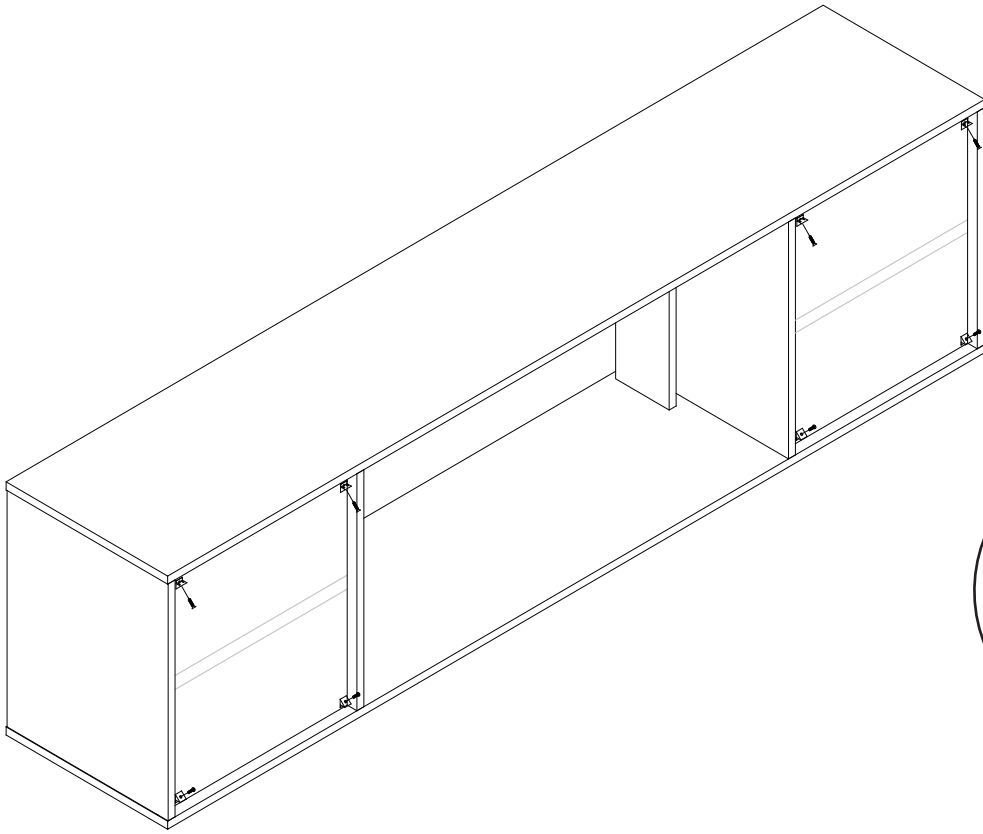
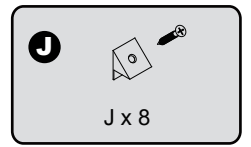
**CAM-LOCK**  
Tighten until shoulder is flush with panel. Do not overtighten or undertighten (see example below)



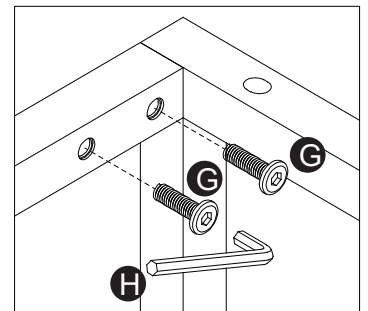
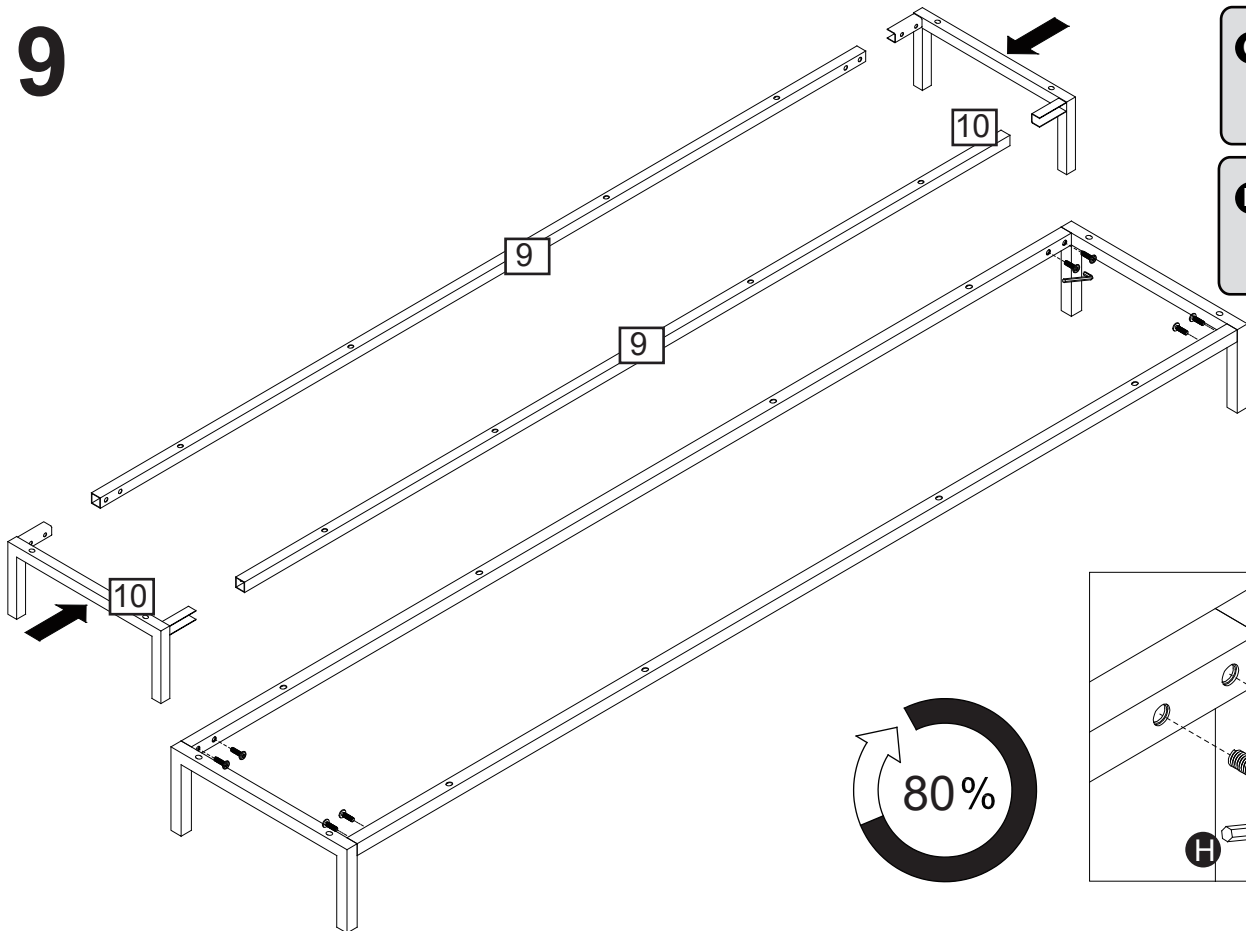
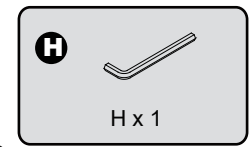
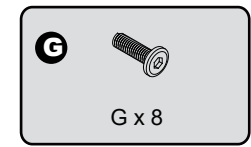
# 7



# 8

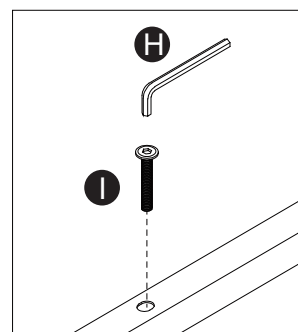
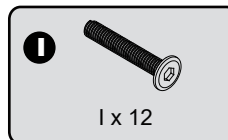
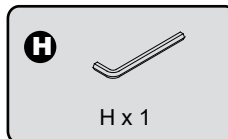
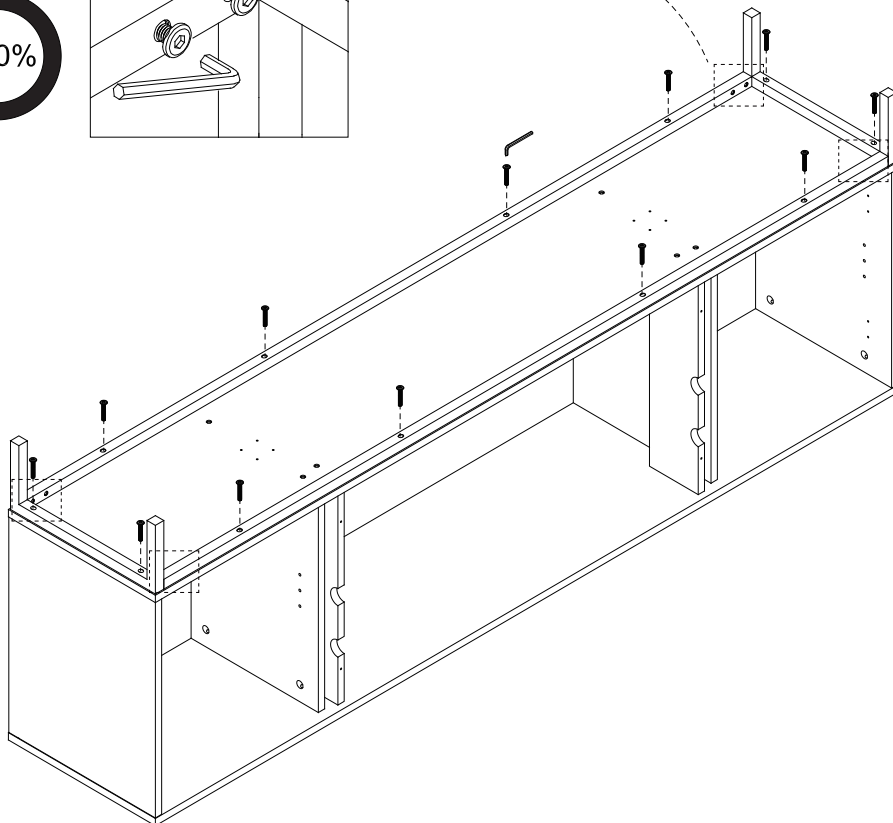
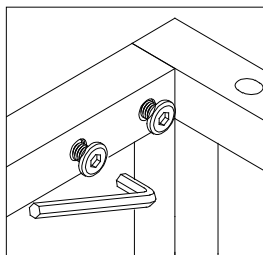


# 9



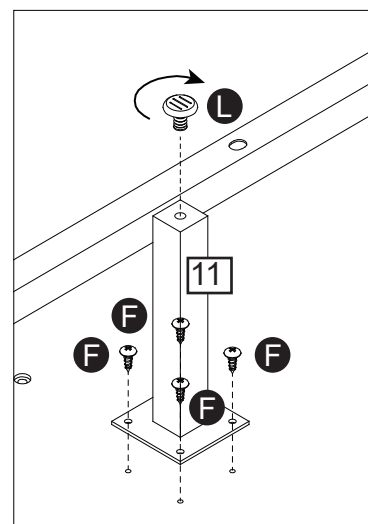
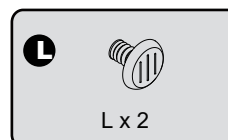
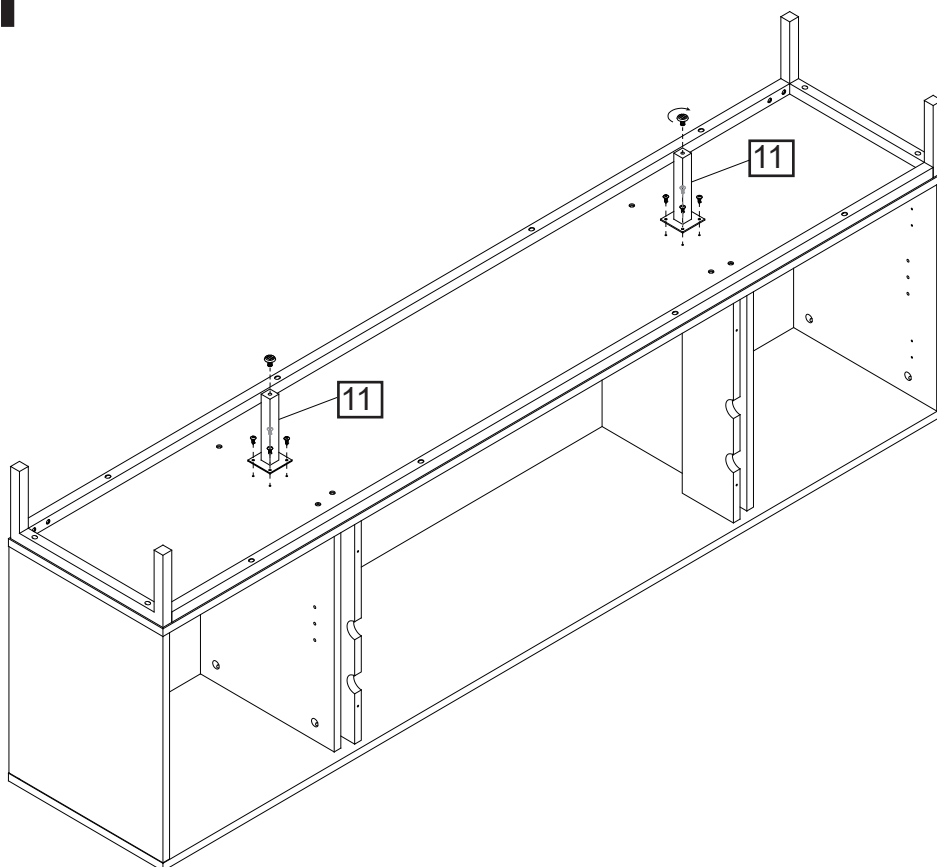
Screw all bolts but do not tighten them at once (just mount them in position temporarily)

# 10

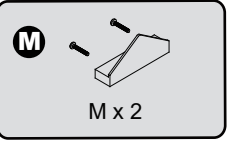
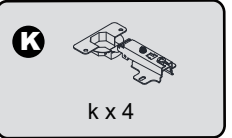
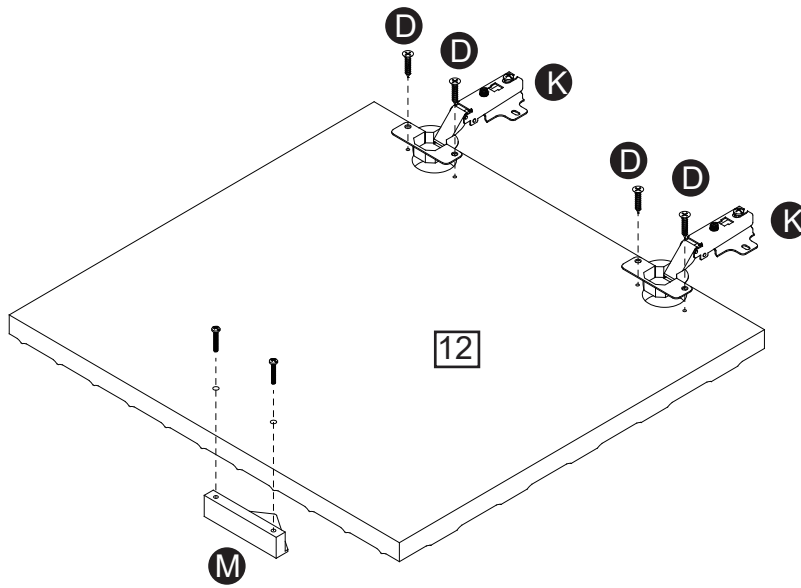


Screw all blots but do not tighten them at once (just mount them in position temporarily), then tighten them eventually.

# 11

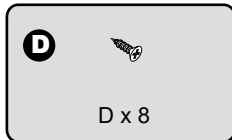
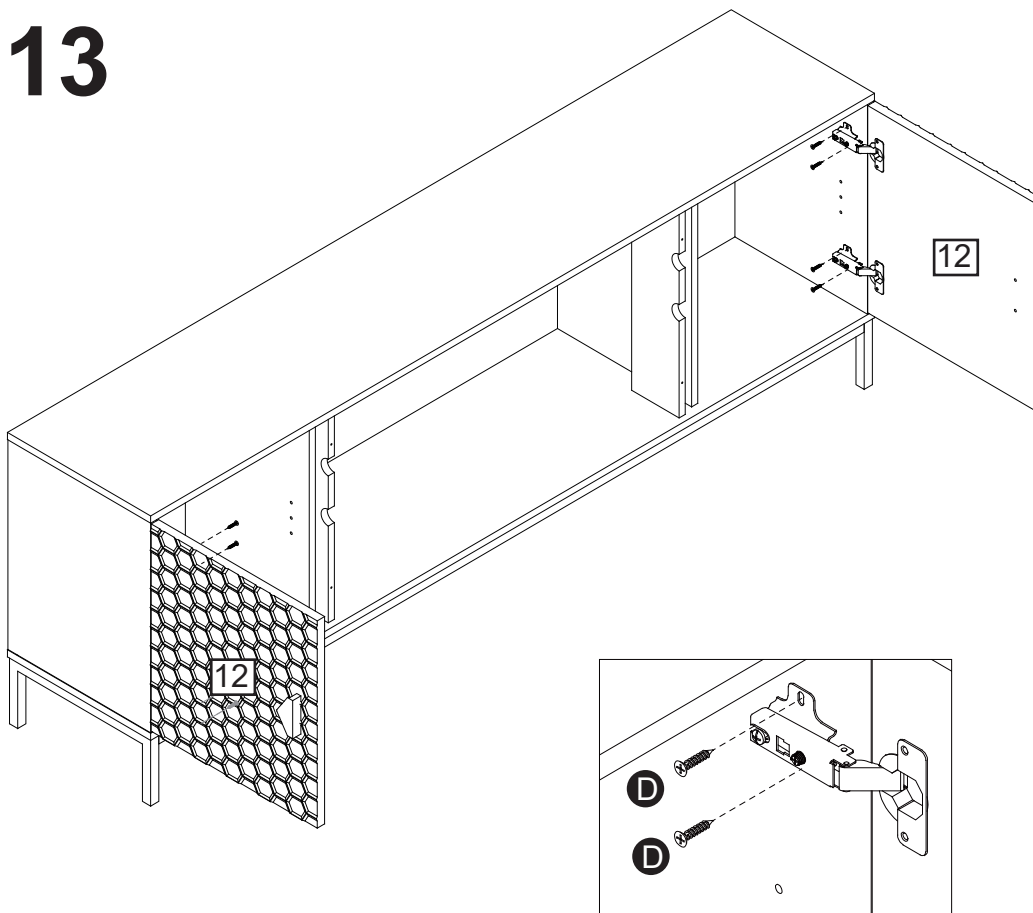


# 12

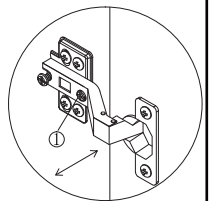


## x2

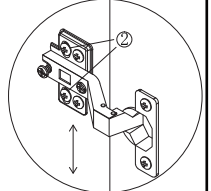
# 13



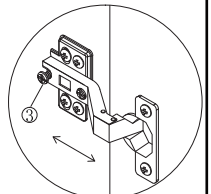
### DOOR FITTING



To adjust in width

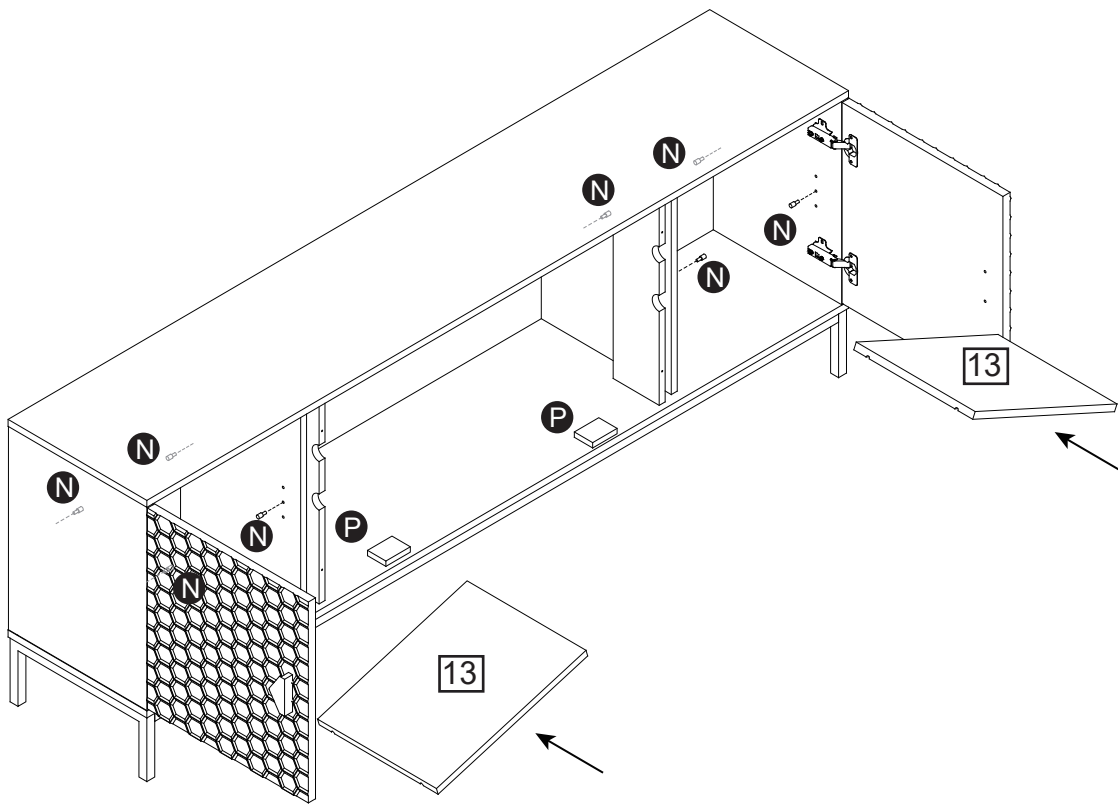
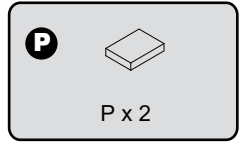
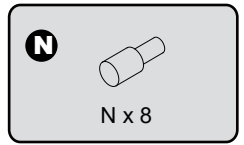


To adjust in height

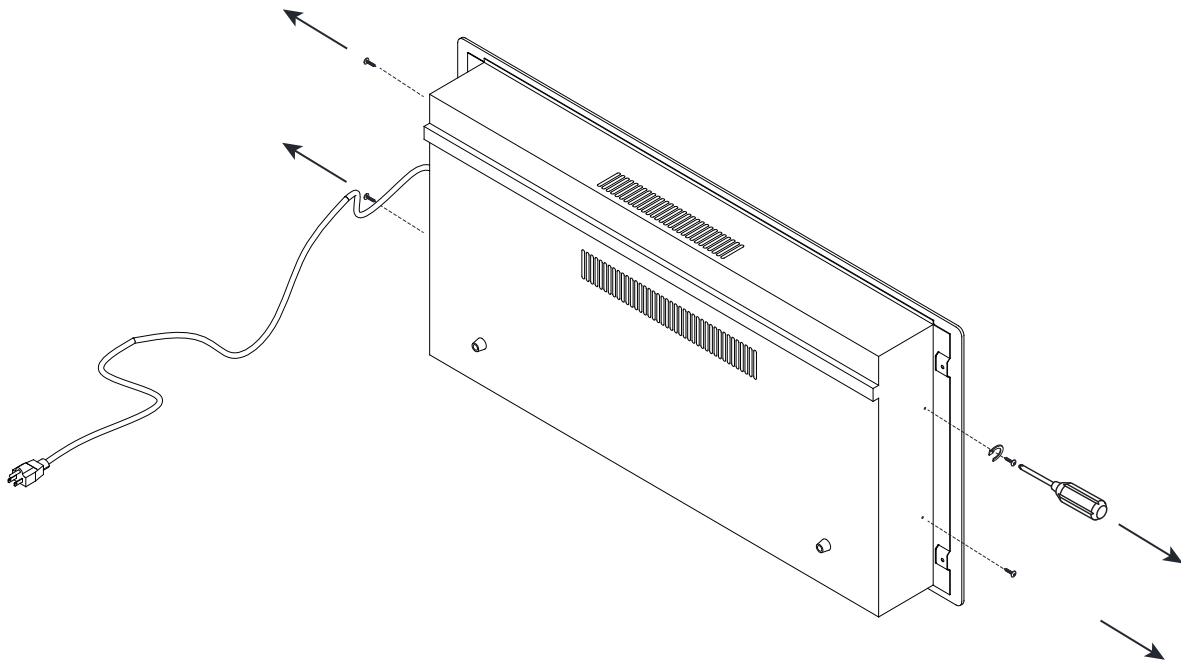


To adjust in depth

# 14

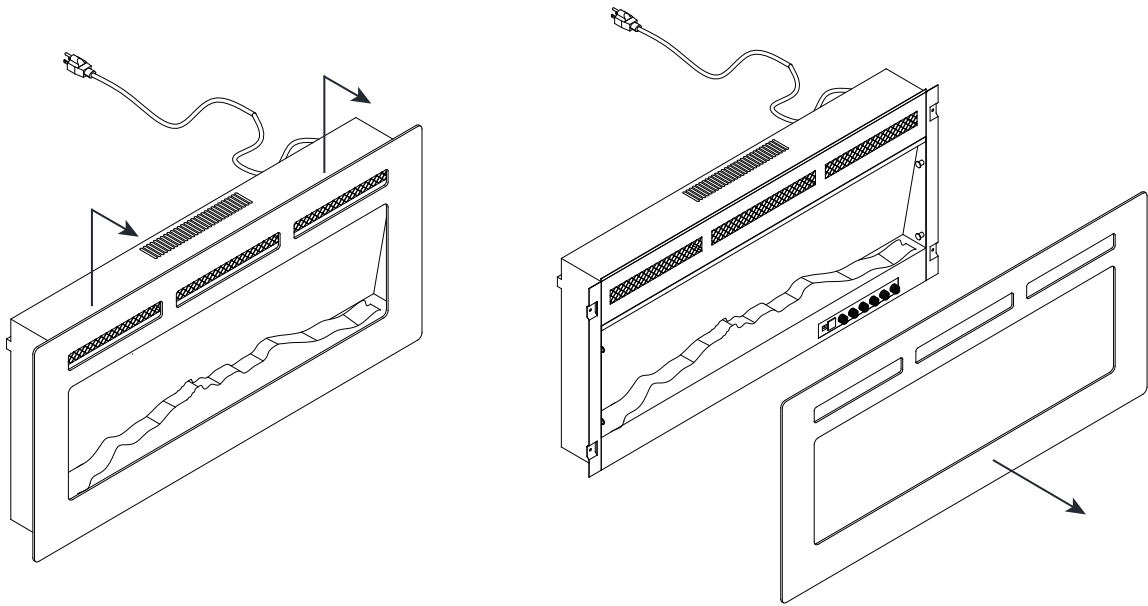


# 15



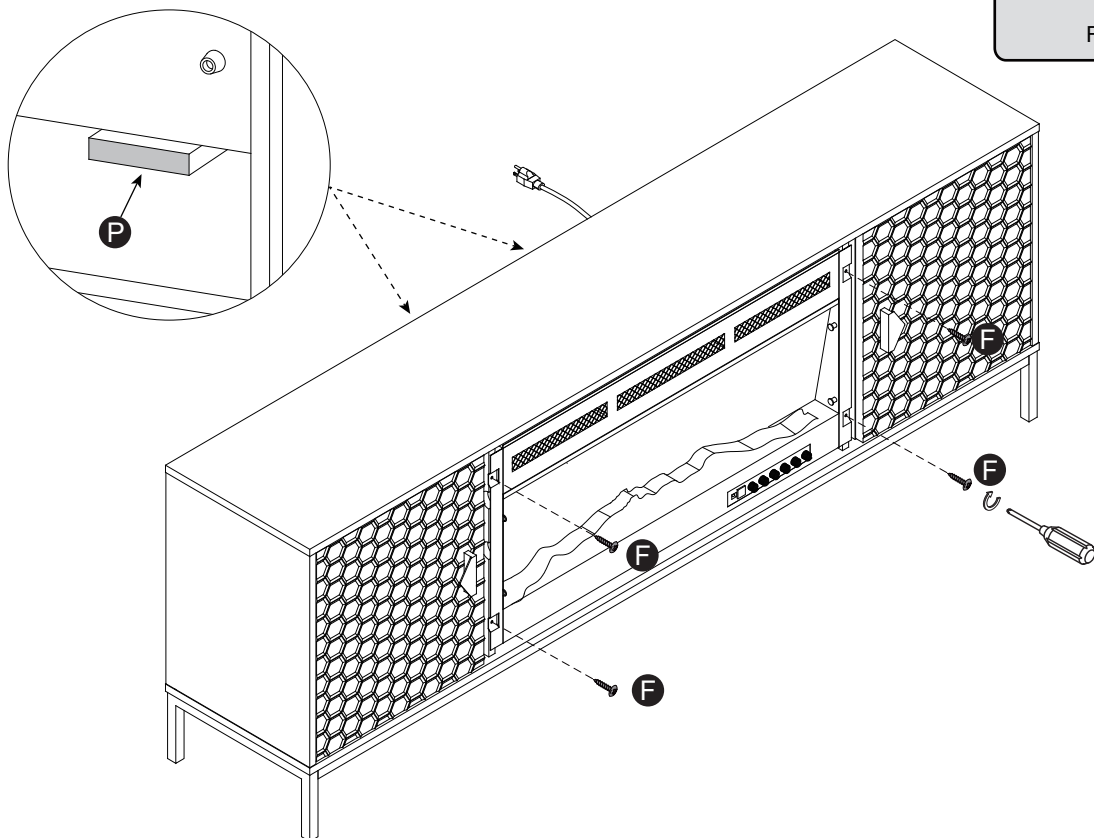
**Before attaching fireplace to TV stand, unscrew four silver screws on the both sides of fireplace.**

# 16



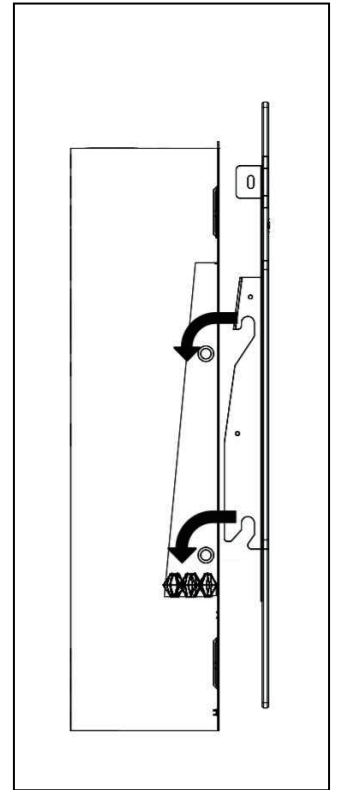
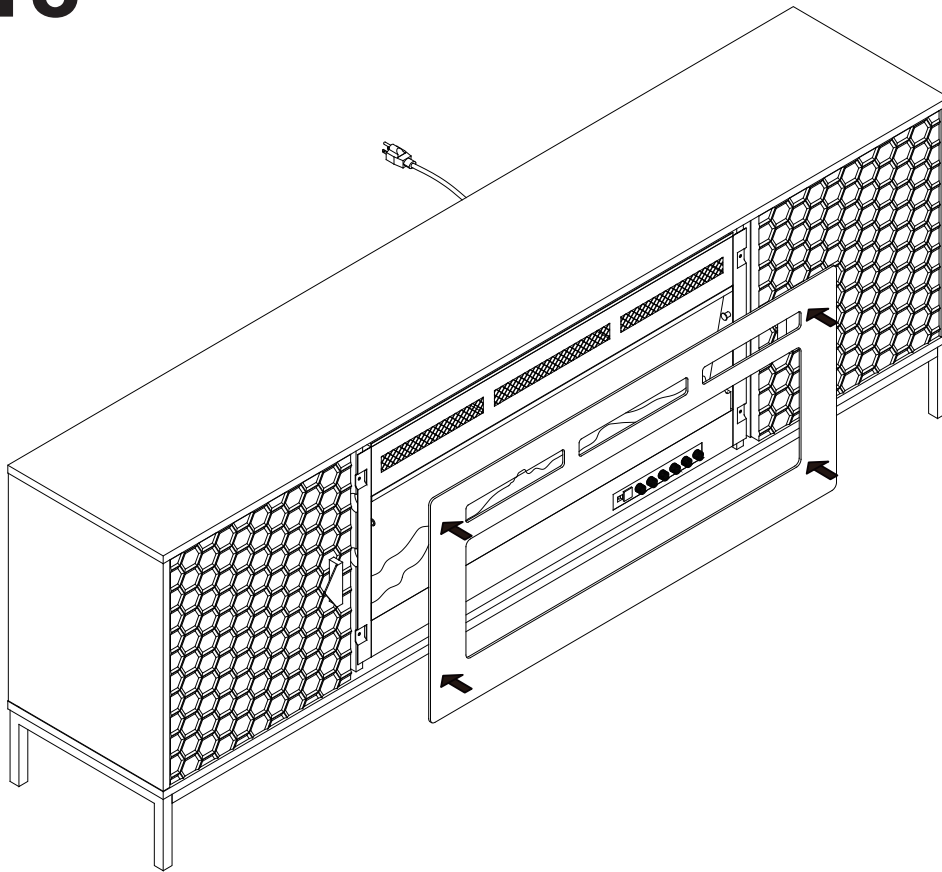
Carefully remove the front glass, and place it on a soft and clean surface.

# 17



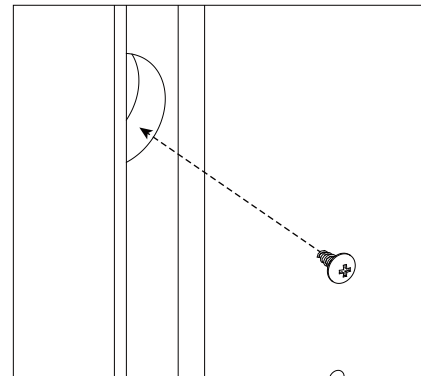
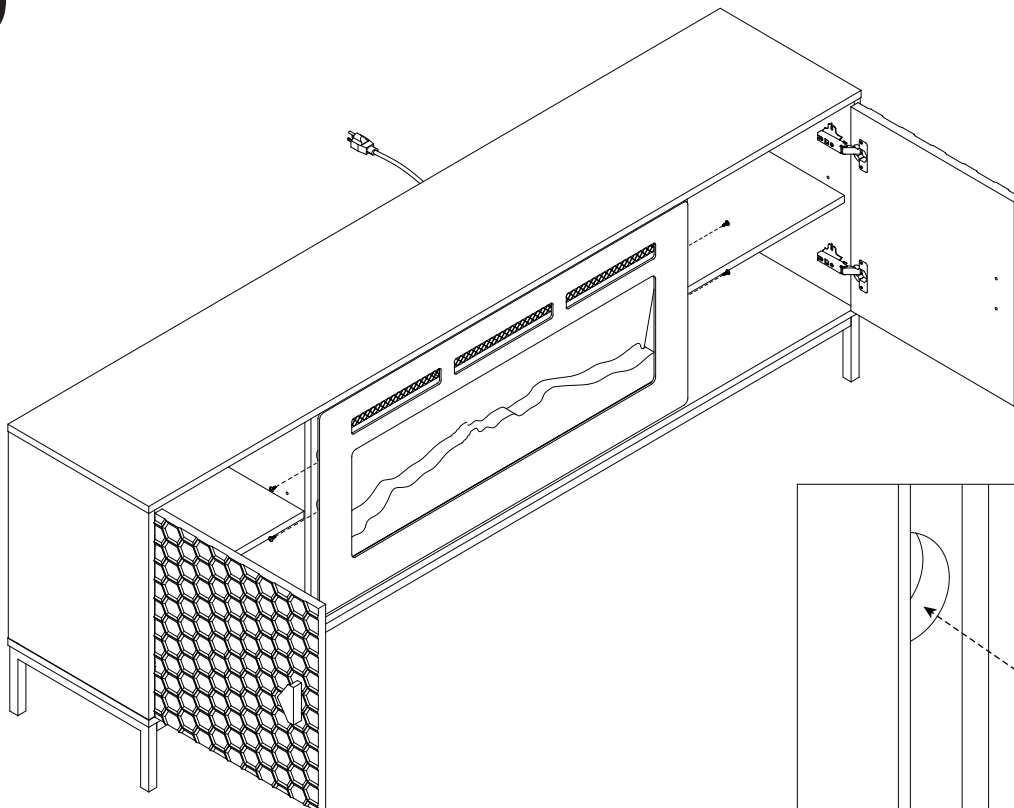
Insert the fireplace to the stand and secure it with screw (Q).

# 18

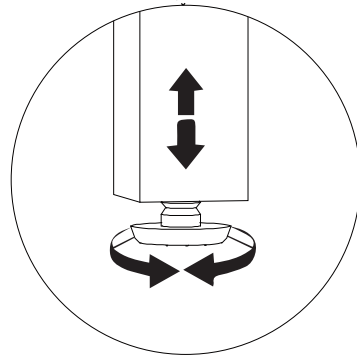
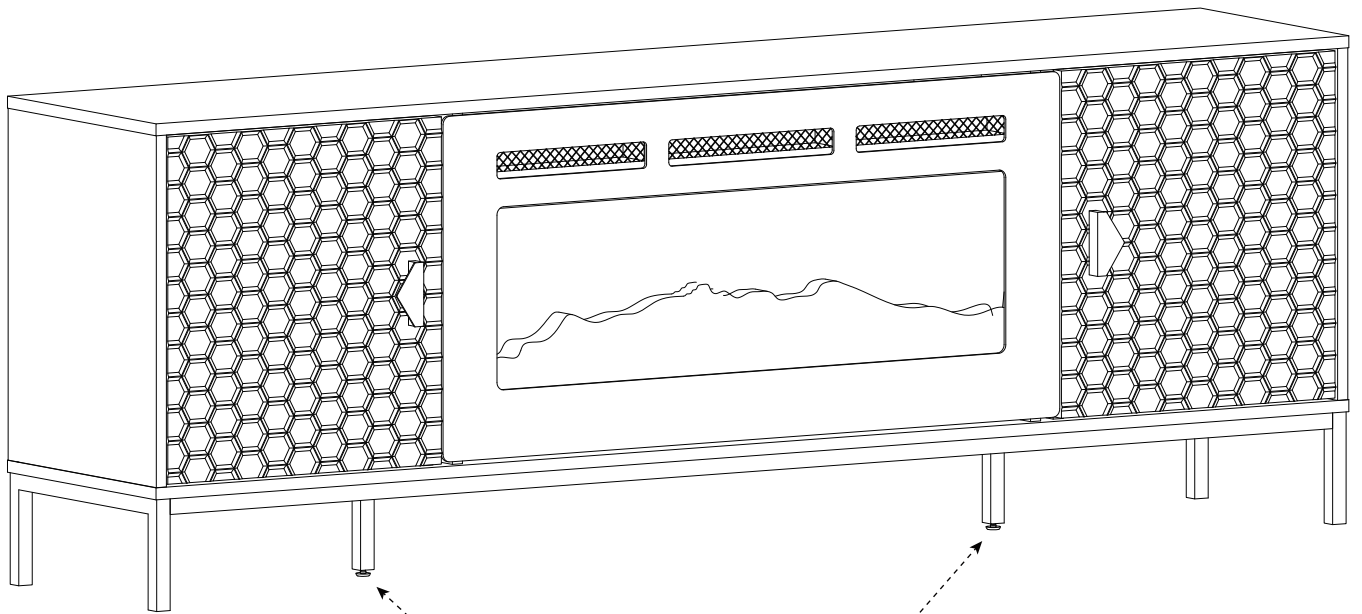


**Attach the glass front to the fireplace.**

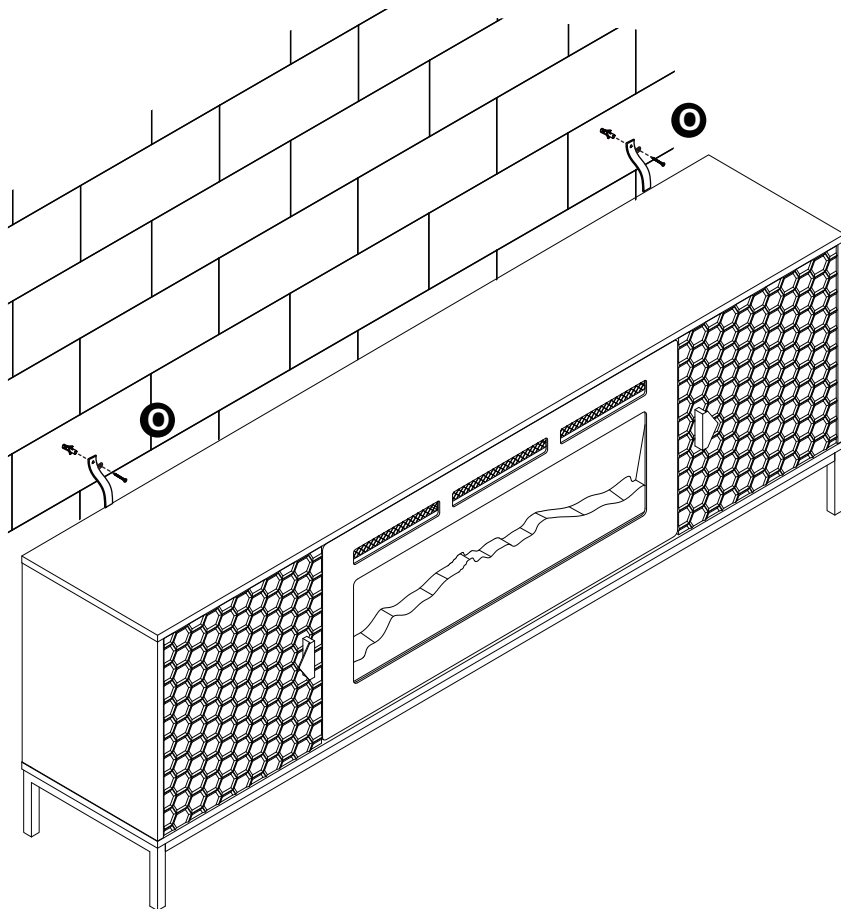
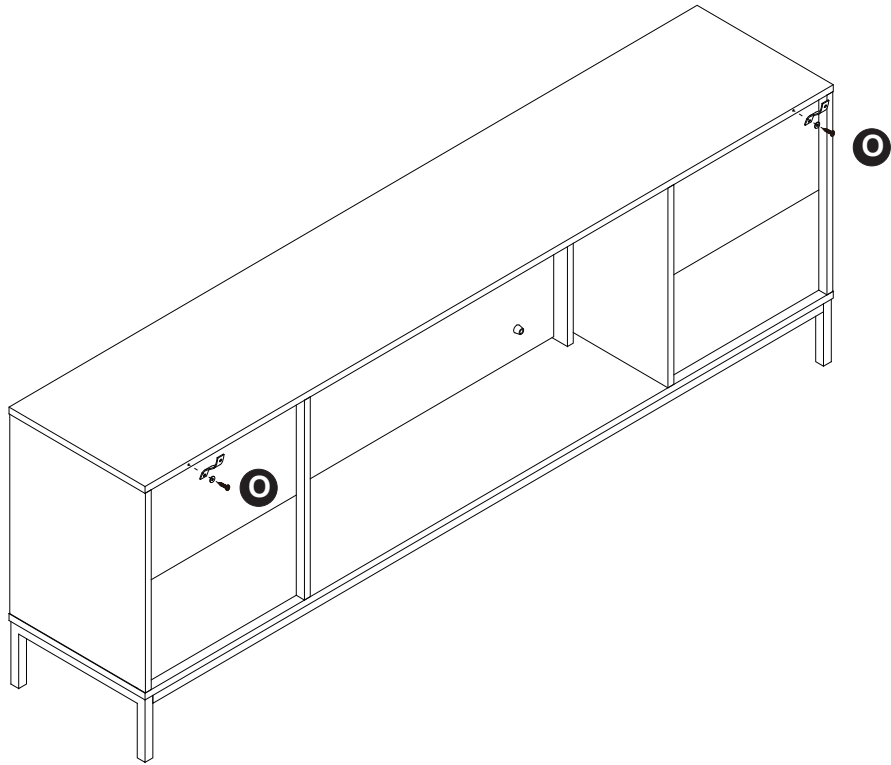
# 19



**Fix the tempered glass with 4pcs of 4x10mm screws.**



21



# A Guide to Wall Mounting & Fixings

## Important note:

If plastic wall plugs (rawl plugs) are supplied with your product, e.g.:



- these are only suitable for use in masonry walls.

If you are in any doubt about the correct wall plugs for your wall, seek professional advice.


Failure of the product due to using the incorrect fixings is the responsibility of the installer.



**Important:** when drilling into walls always check that there are no hidden wires or pipes etc.

Make sure that the screws and wall plugs being used are suitable for **supporting your unit**. **Consult a qualified tradesperson if you are unsure.**

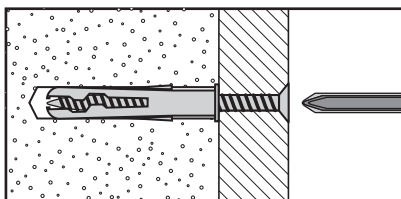
Hints:

- 1: General rule:  always use a larger screw and wall plug if you are not sure.
- 2: Ensure you use the recommended drill bit to match the wall plug and hole size.
- 3: Ensure you drill the hole horizontally; do not force the drill or enlarge the hole.
- 4: Take extra care when drilling high walls, ceilings and ceramic tiles. Ensure wall plugs are inserted beyond the thickness of the ceramic tiles to avoid the tiles splitting or cracking.
- 5: Ensure wall plugs are well fitted and are a tight fit in the drilled hole.

## Types of walls

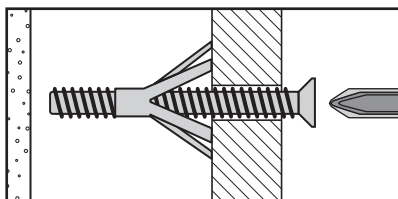
You can use one of the following types of wall plug if your walls are made of brick, breeze block, concrete, stone or wood.

No.1 "General Purpose" wall plug



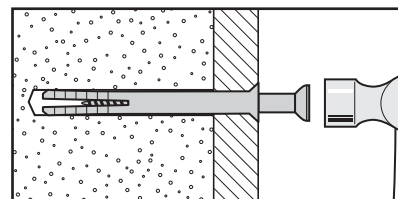
Generally aerated blocks should not be used to support heavy loads, use a specialist fitting in this case. For light loads, general purpose wall plugs can be used.

No.3 "Cavity Fixing" wall plug



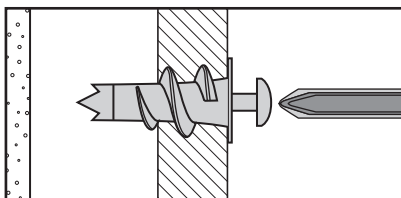
For use with plasterboard partitions or hollow wooden doors.

No.5 "Hammer Fixing" wall plug



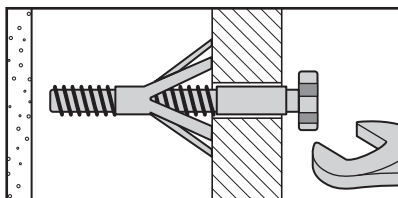
For use with walls stuck with plasterboard. The hammer fixing allows it to be fixed to the wall rather than the plasterboard. Always check the fixing is secure to the retaining wall.

No.2 "Plasterboard" wall plug



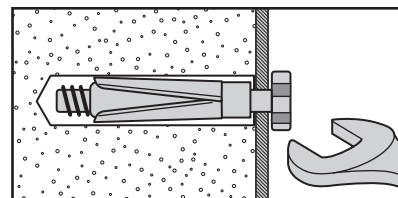
For use when attaching light loads onto plasterboard partitions.

No.4 "Cavity Fixing - Heavy Duty" wall plug



For use when fitting or supporting heavy loads such as shelving, wall cabinets and coat racks.

No.6 "Shield Anchor" wall plug - heavy loads



For use with heavier loads such as TV and HiFi speakers and satellite dishes etc.



## Care & Maintenance

**Safety:** always check the fitting and location to ensure your safety in and around the home.

**Fitting:** from time to time check the fitting to ensure the wall plugs or screws do not become loose.