

Ax2



Bx1



Cx4



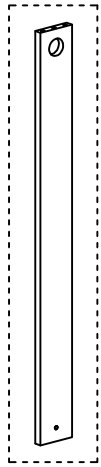
Dx2



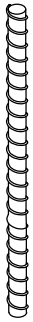
Ex8



Fx4



Gx2



Hx1



M6x<sup>85</sup>/<sub>3.3</sub>

Ix6



M7x<sup>60</sup>/<sub>2.4</sub>

Jx2



Kx6



Lx2



Mx2



Nx2



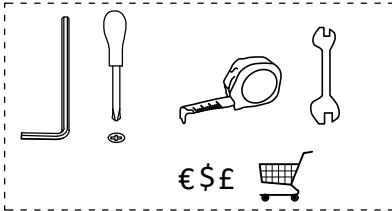
Ox66



Px16



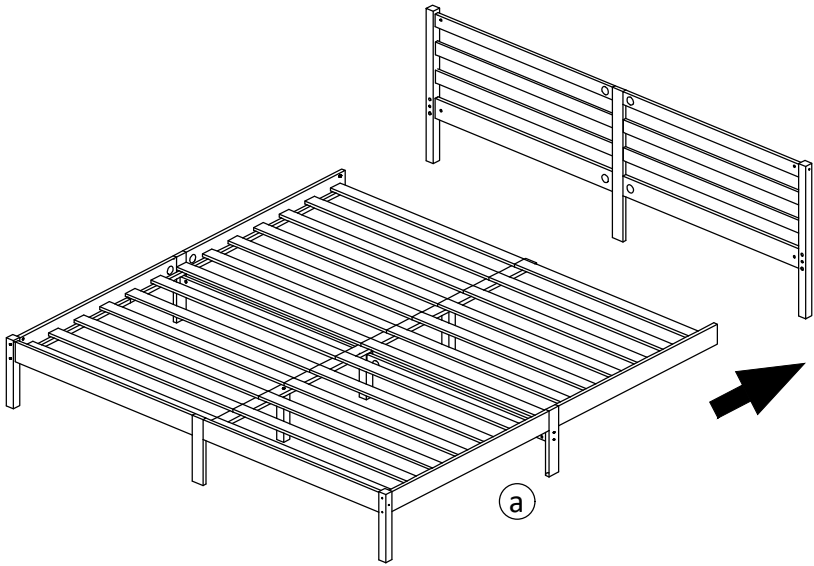
Qx16



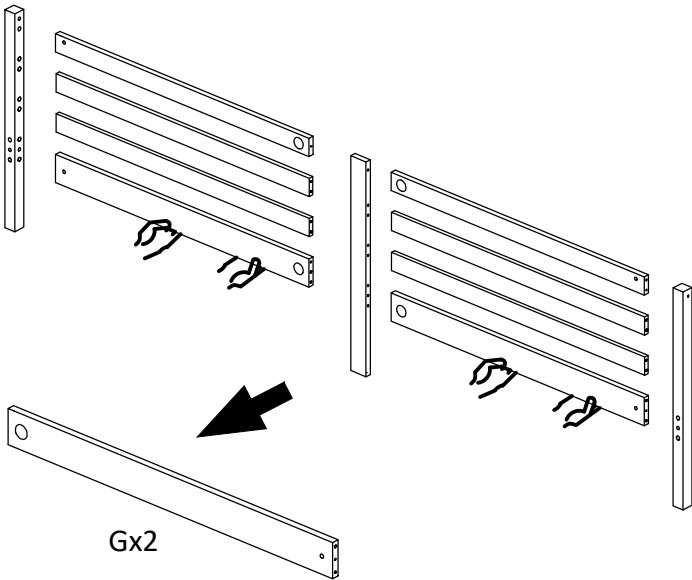
mm  
inch

x2

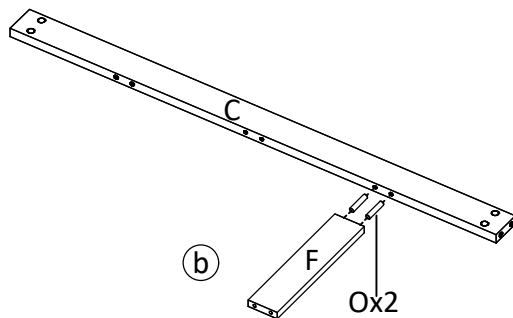
1



2



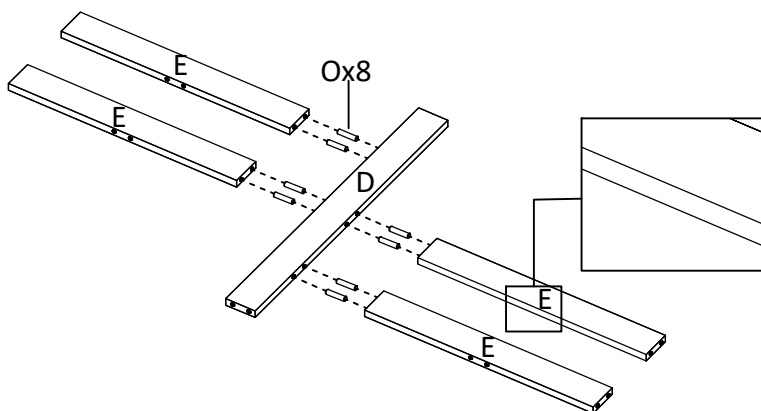
③ x4



Ox8



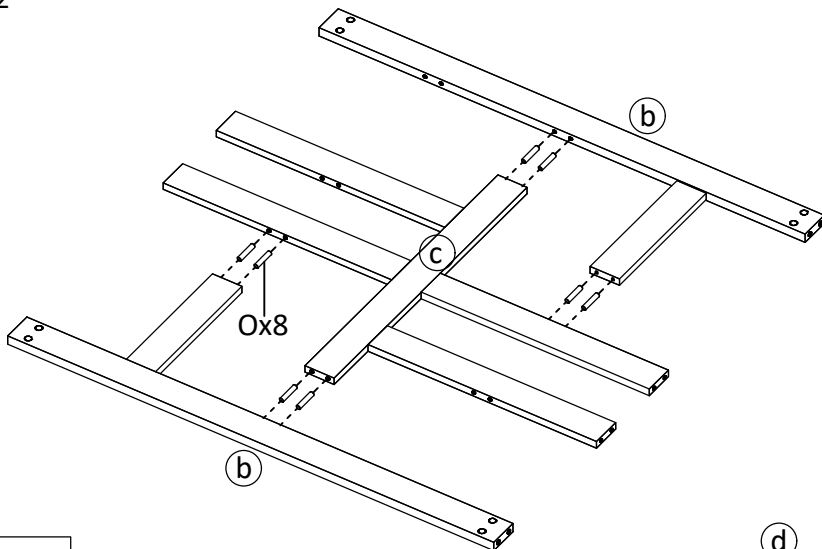
④ x2



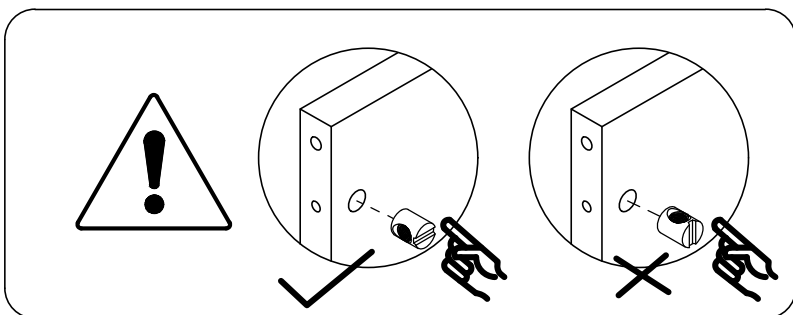
Ox16



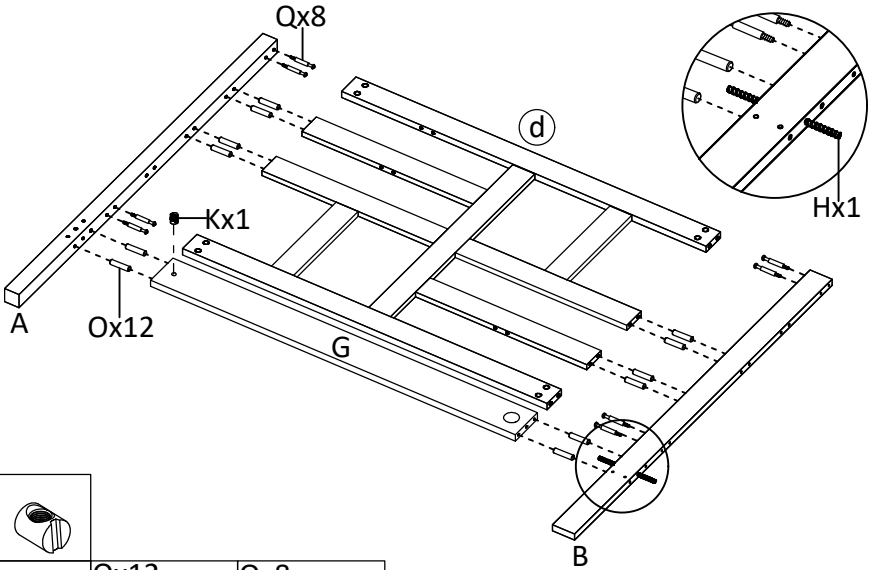
5 x2



Ox16



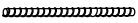
6



Kx1



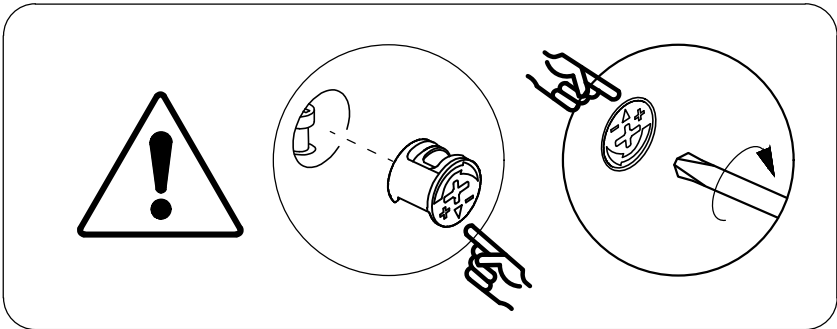
Hx1

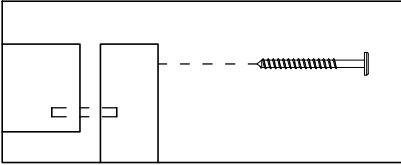


Ox12

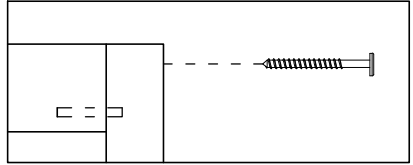


Qx8



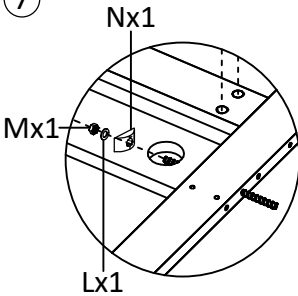


✗

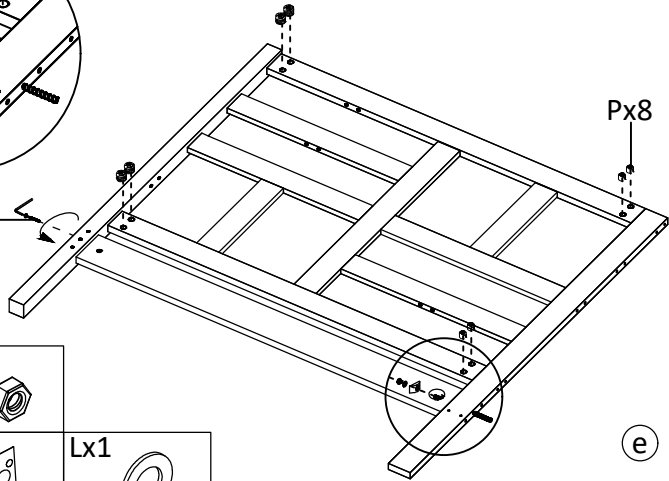


✓

7



lx1



Px8

Px8



Mx1



lx1



Nx1

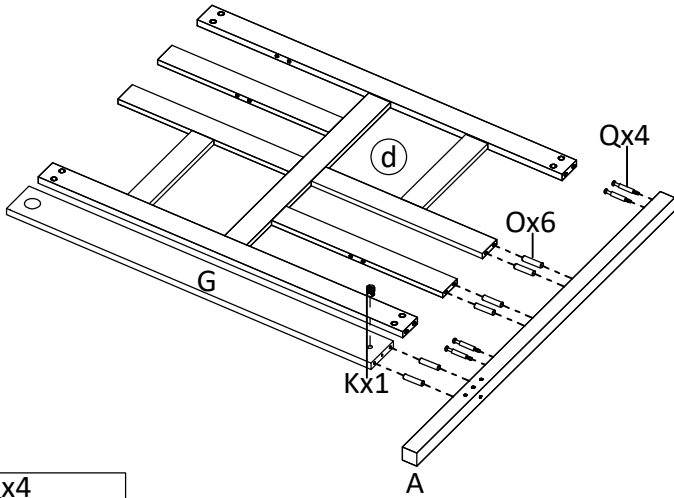


Lx1



e

8



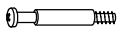
Kx1



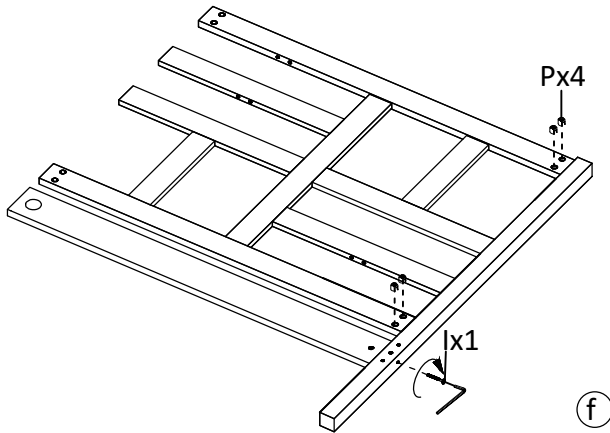
Ox6



Qx4



9



Ix1

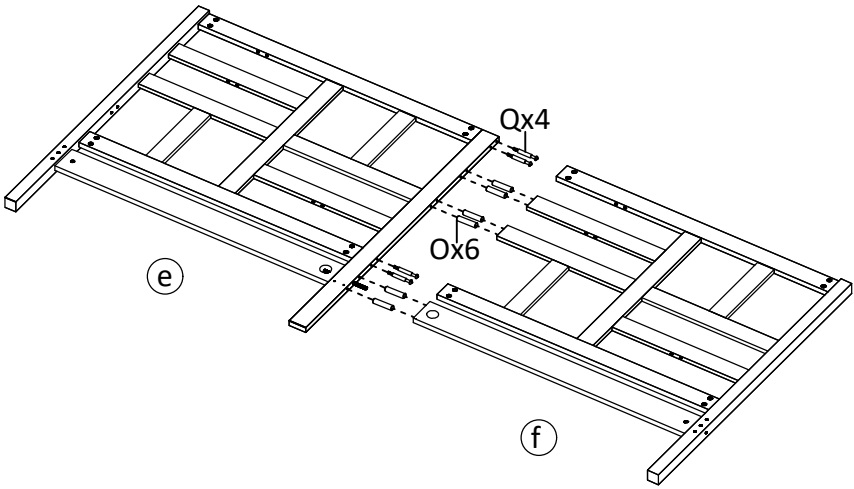


Px4

M6x  $\frac{85}{3.3}$



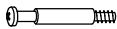
10



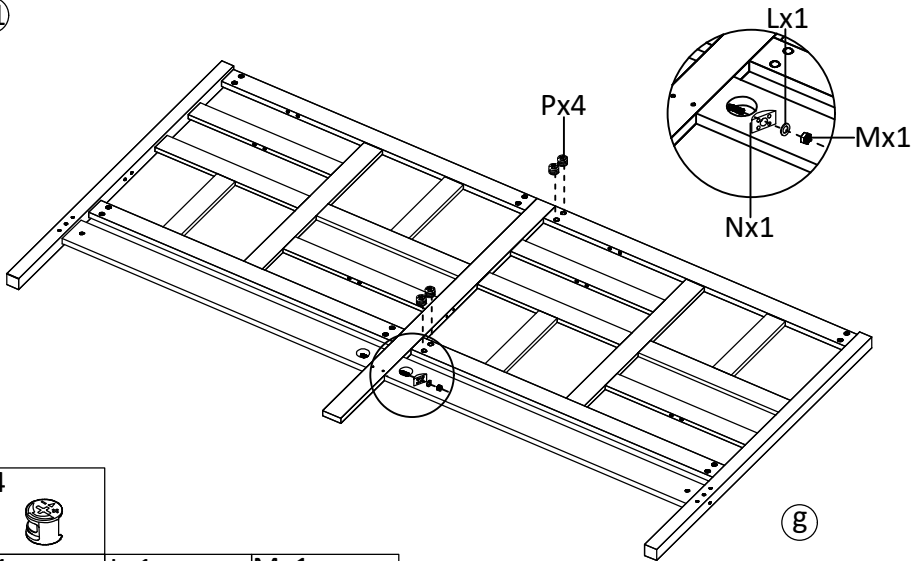
Ox6



Qx4



11



Px4



Nx1



Lx1

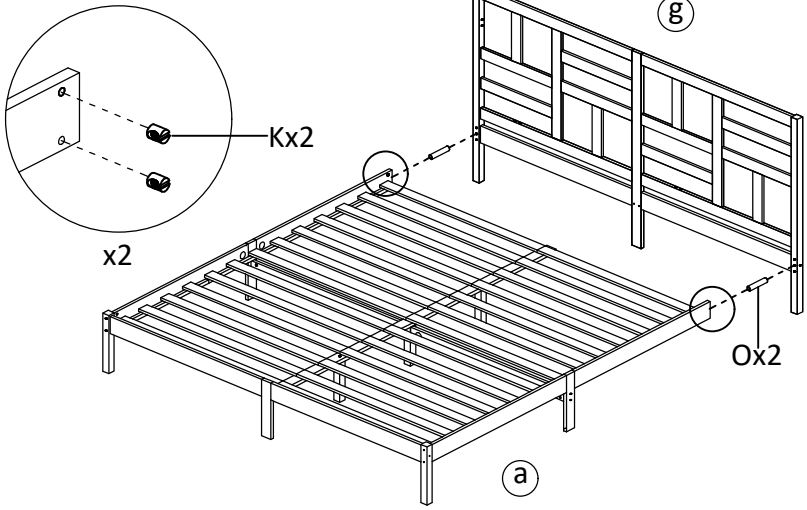


Mx1



g

12



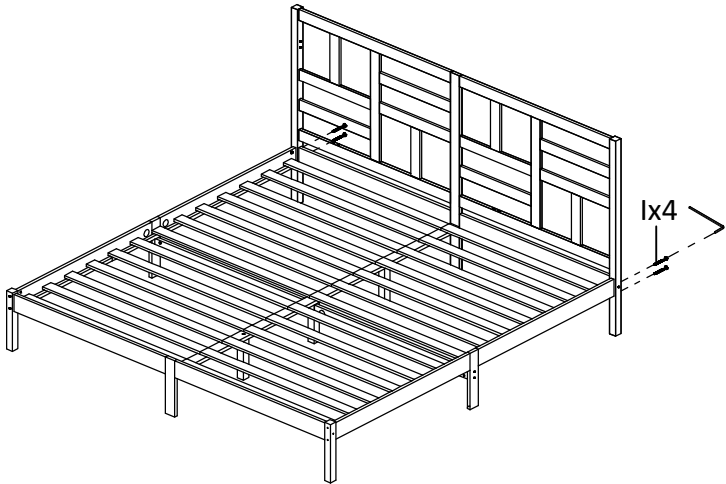
Ox2



Kx4



13

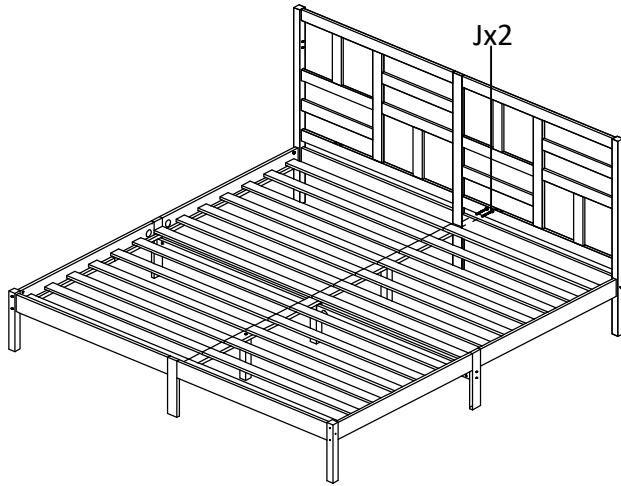


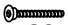
Ix4



M6x  $\frac{85}{3.3}$

14



Jx2   
M7x  $\frac{60}{2.4}$

15

