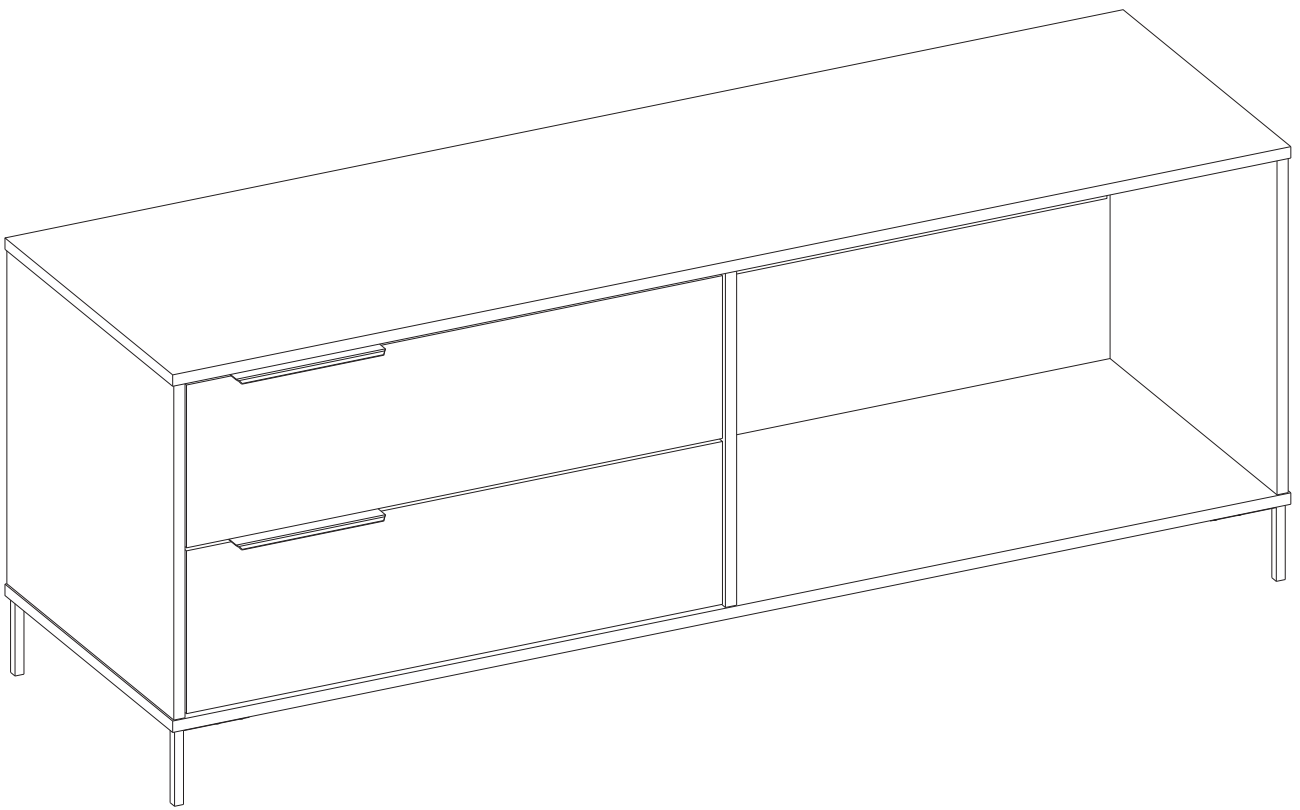
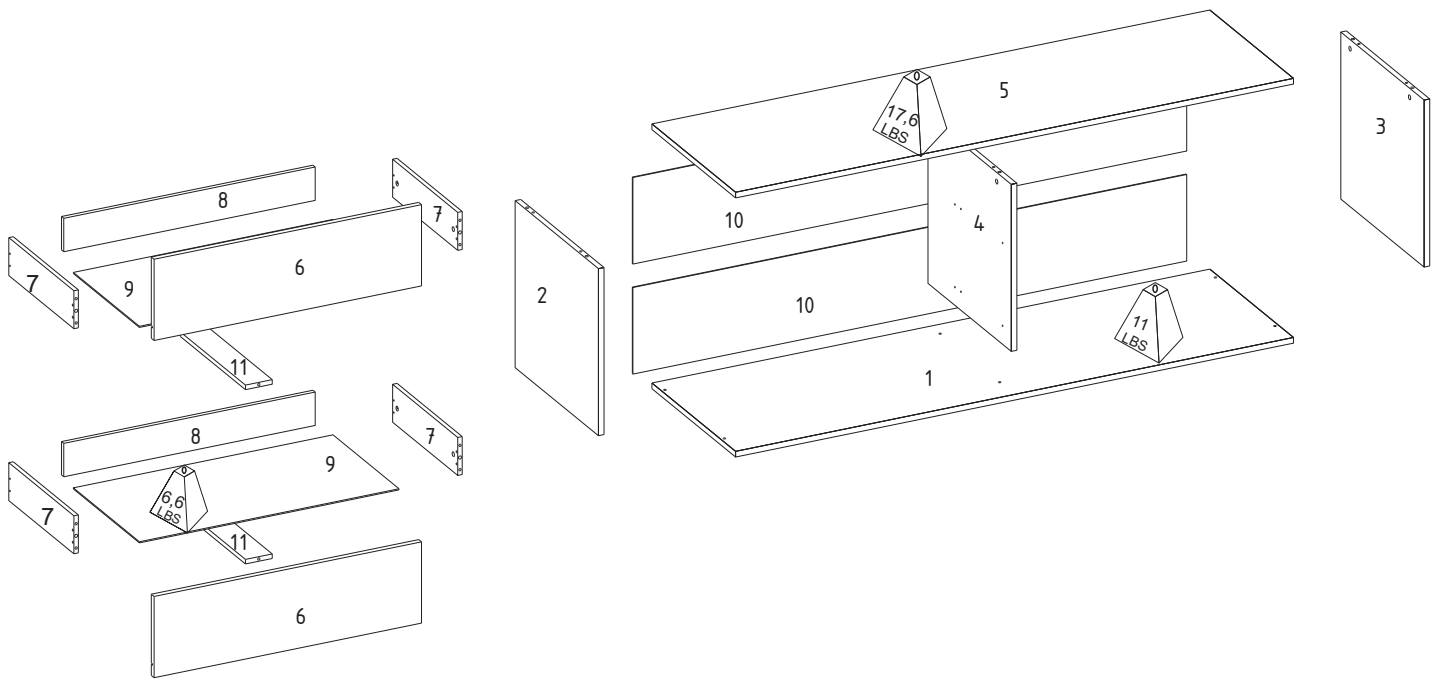


# TV STAND



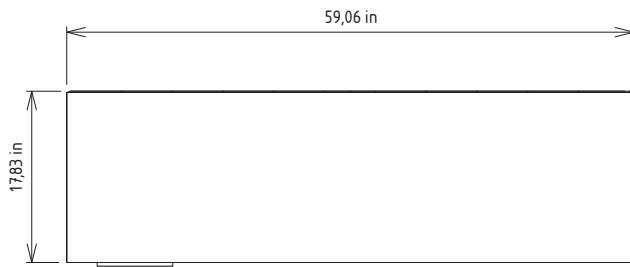
# TV STAND



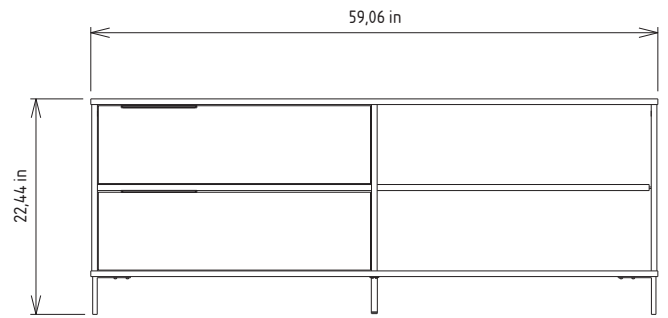
## PARTS LIST

Sequence	Description	Length	Width	Thickness	Quantity
1	Base	59,06	17,72	0,59	1
2	Lateral esquerda	17,64	17,32	0,59	1
3	Lateral direita	17,64	17,32	0,59	1
4	Divisão	17,64	17,32	0,59	1
5	Tampo	59,06	17,72	0,59	1
6	Frente da gaveta	28,31	8,43	0,59	2
7	Lateral da gaveta	13,78	3,94	0,47	4
8	Contra fundo da gaveta.	26,61	3,46	0,47	2
9	Fundo da gaveta.	27,48	13,98	0,12	2
10	Fundo.	58,62	8,98	0,12	2
11	Apoio da gaveta.	13,78	2,83	0,47	2

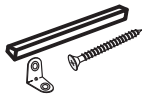
Upper View



Front View



## ASSEMBLY INSTRUCTION



Separate parts and accessories in way organized



Cover the floor with the cardboard

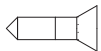


It is necessary one person to assembly



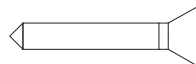
Not included tools

A



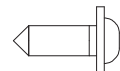
Screw 0.12 x 0.47 philips (20 UNID)

B



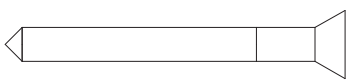
Screw 0.14 x 0.98 philips (10 UNID)

C



Flanged screw 0.16 x 0.47 (20 UNID)

D



Screw 0.18 x 1.77 philips (6 UNID)

E



Minifix screw Zmac ( 10 UNID)

F



Minifix drum Zmac (10 UNID)

G



Tap hole minifix (14 UNID)

H



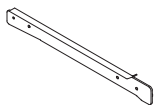
Wood bolts 0.24 x 1.18 in (16 UNID)

I



Nail 0.39 x 0.39 (51 UNID)

J



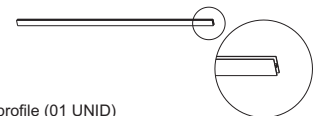
Metal slide 13.78 in (2 UNID)

K



Handle (2 UNID)

L



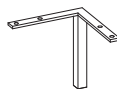
H profile (01 UNID)

M



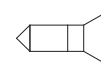
Foot (1 UNID)

N



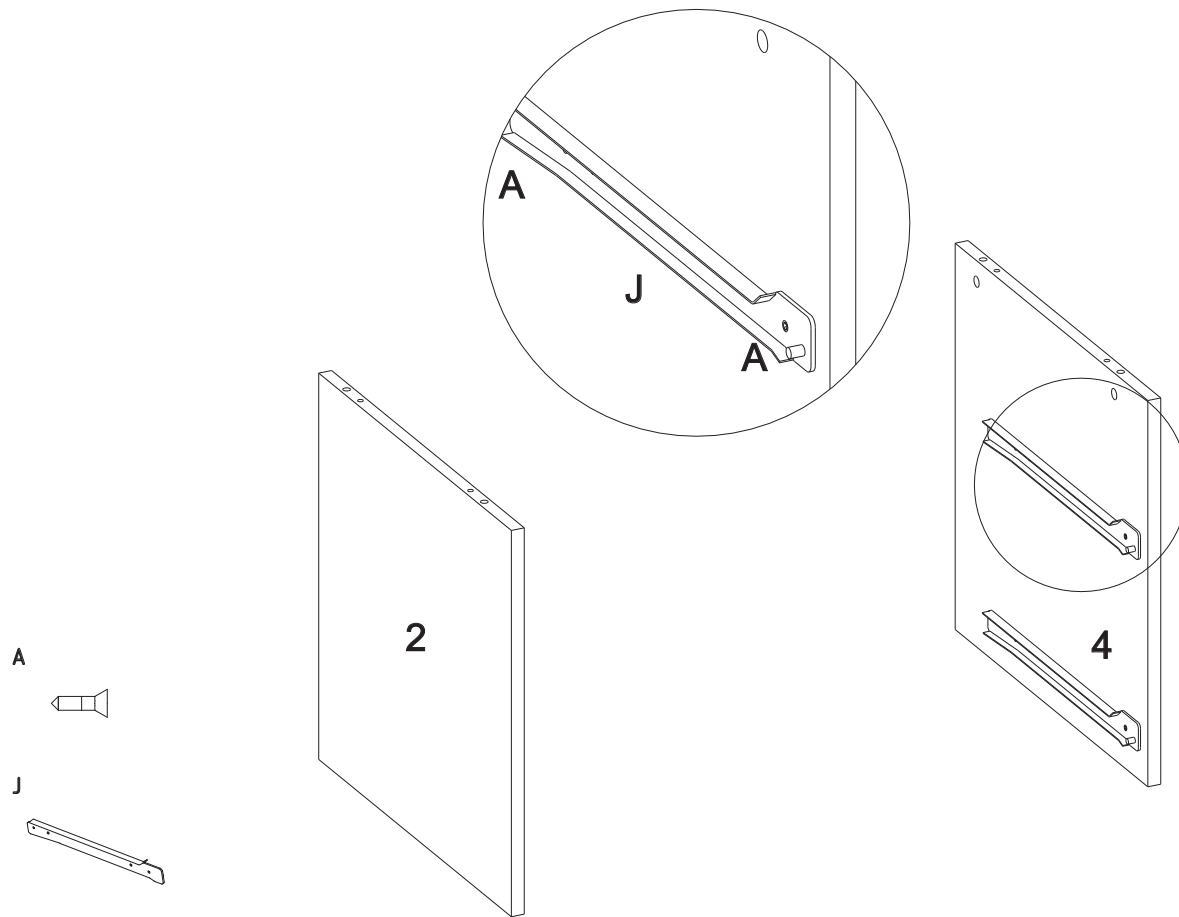
Foot (4 UNID)

O

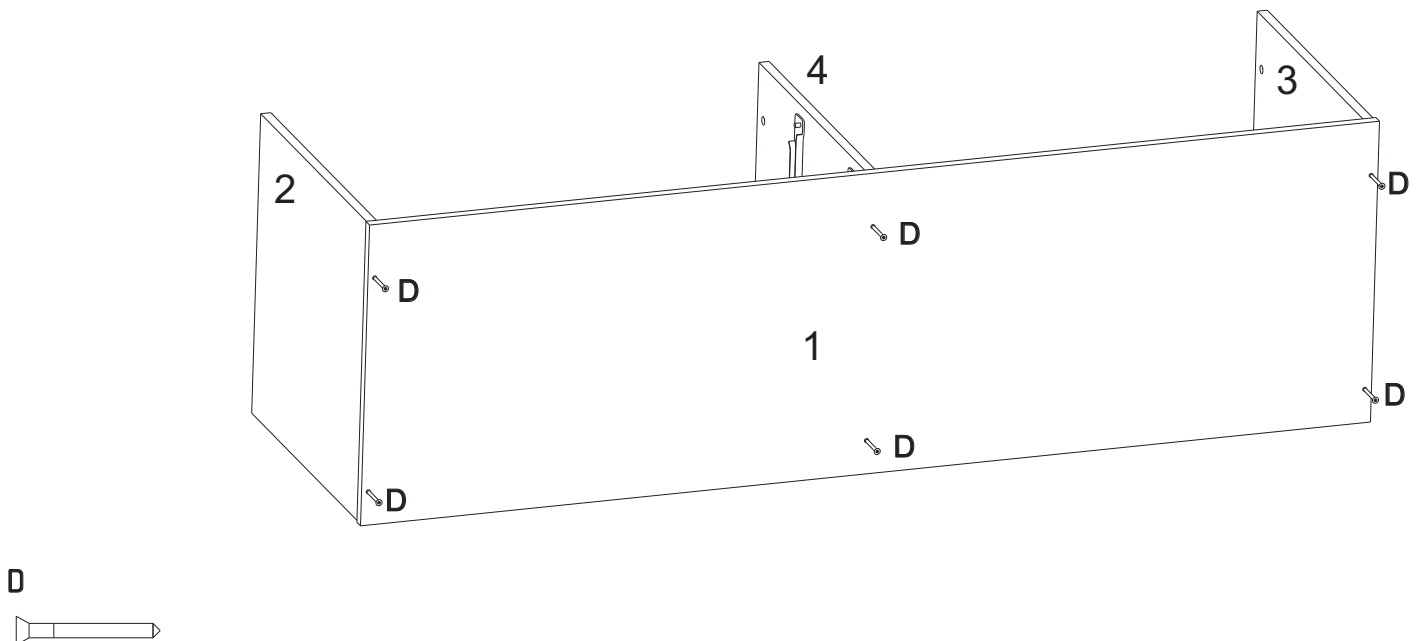


Screw 0.14 x 0.47 philips (4 UNID)

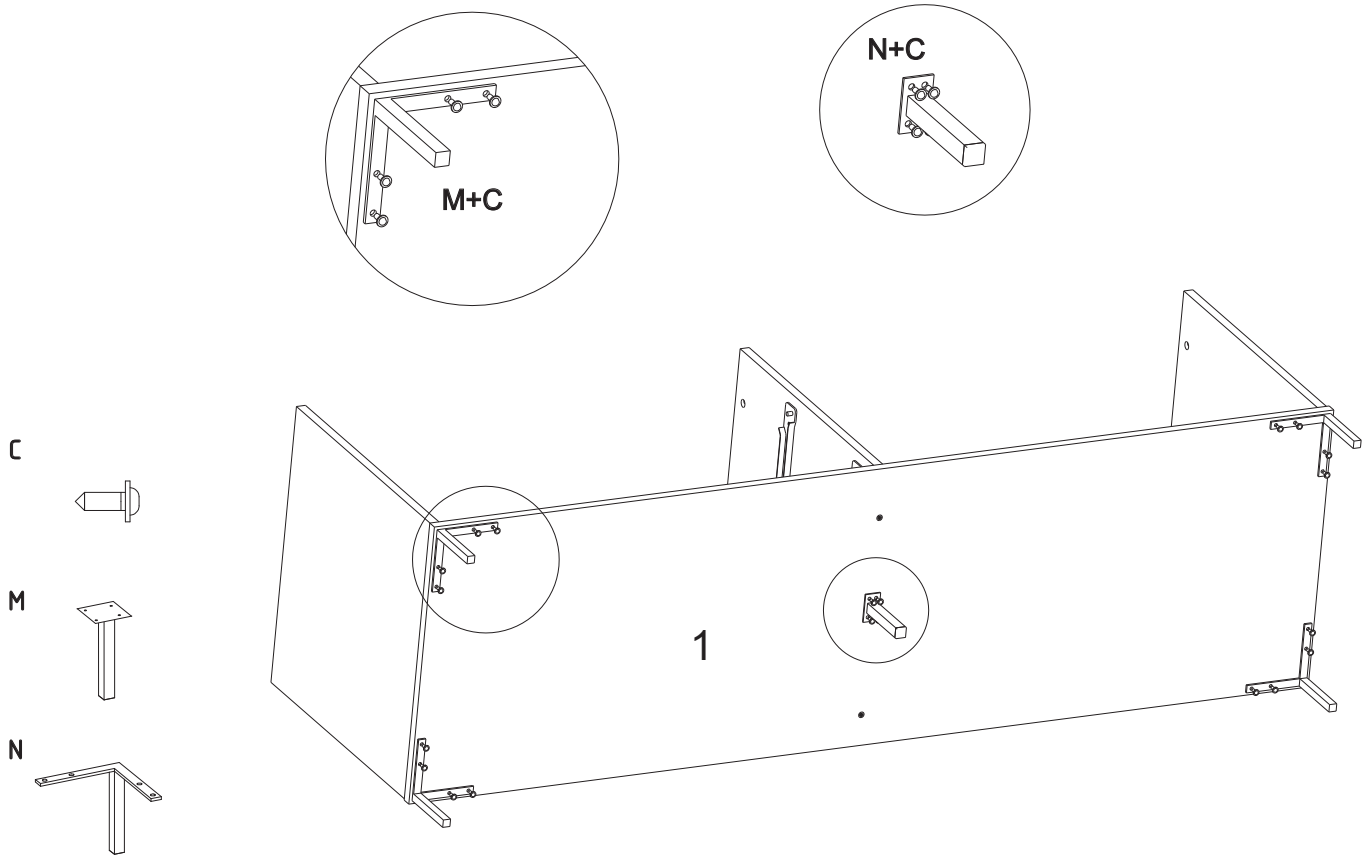
STEP 01 FIX ACCESSORIES IN PARTS 2 AND 4



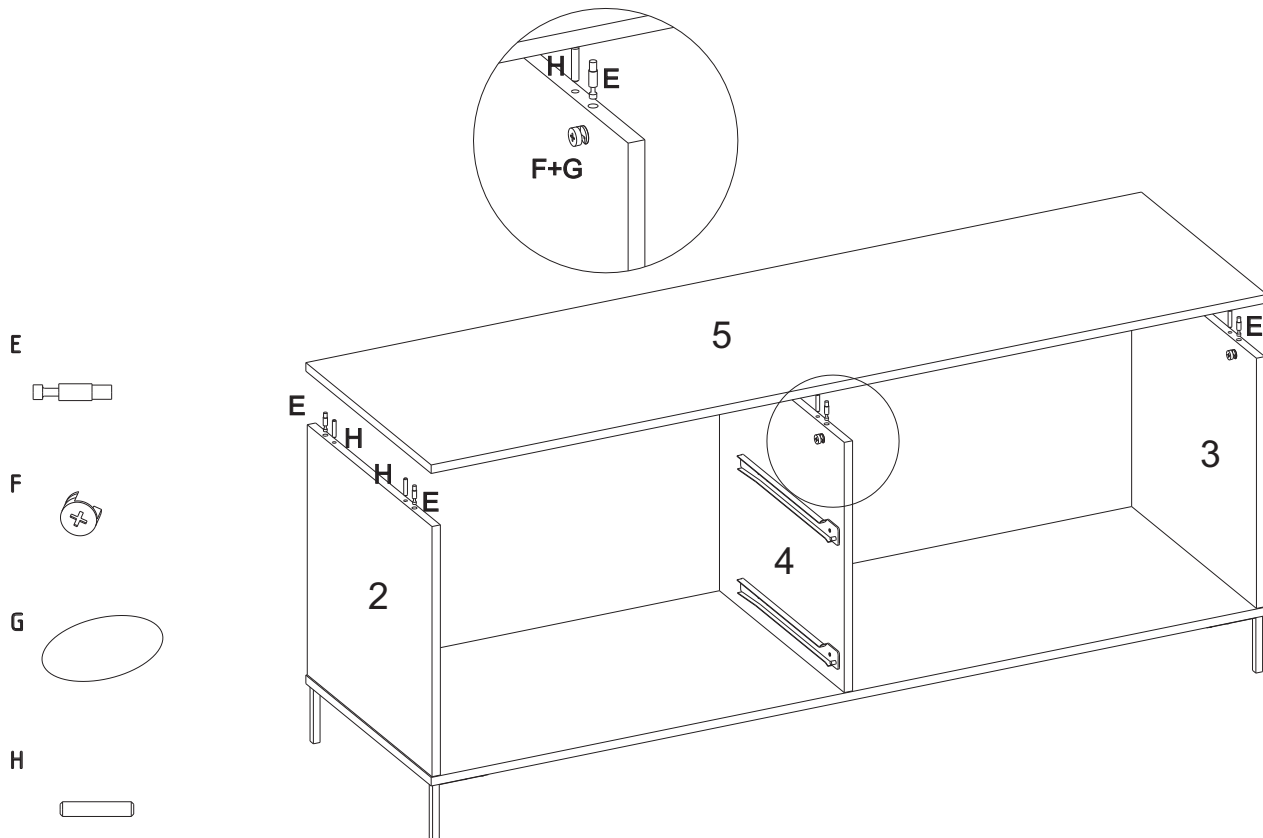
STEP 02 FIX PARTS 2,4 AND 3 IN PART 1



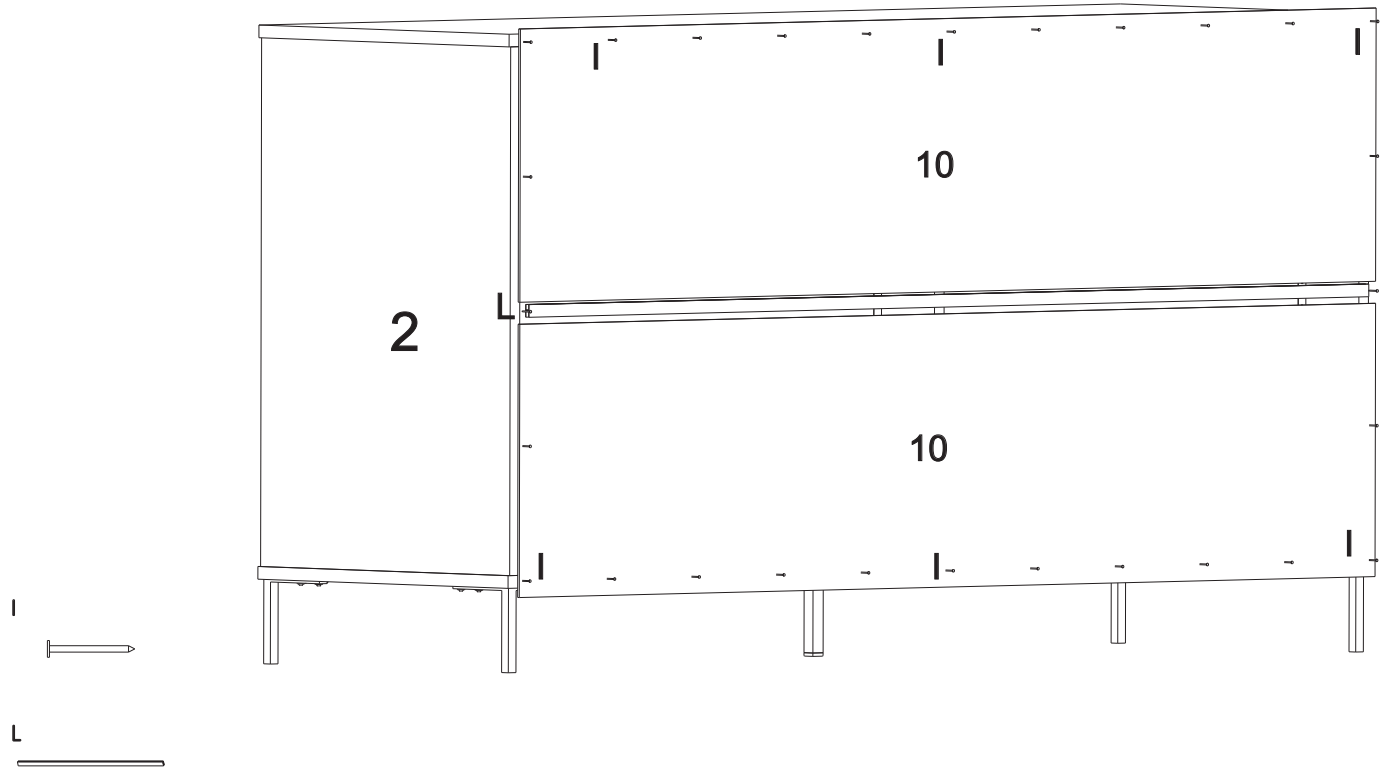
STEP 03 FIXING ACCESSORIE M AND N IN PEÇA 1



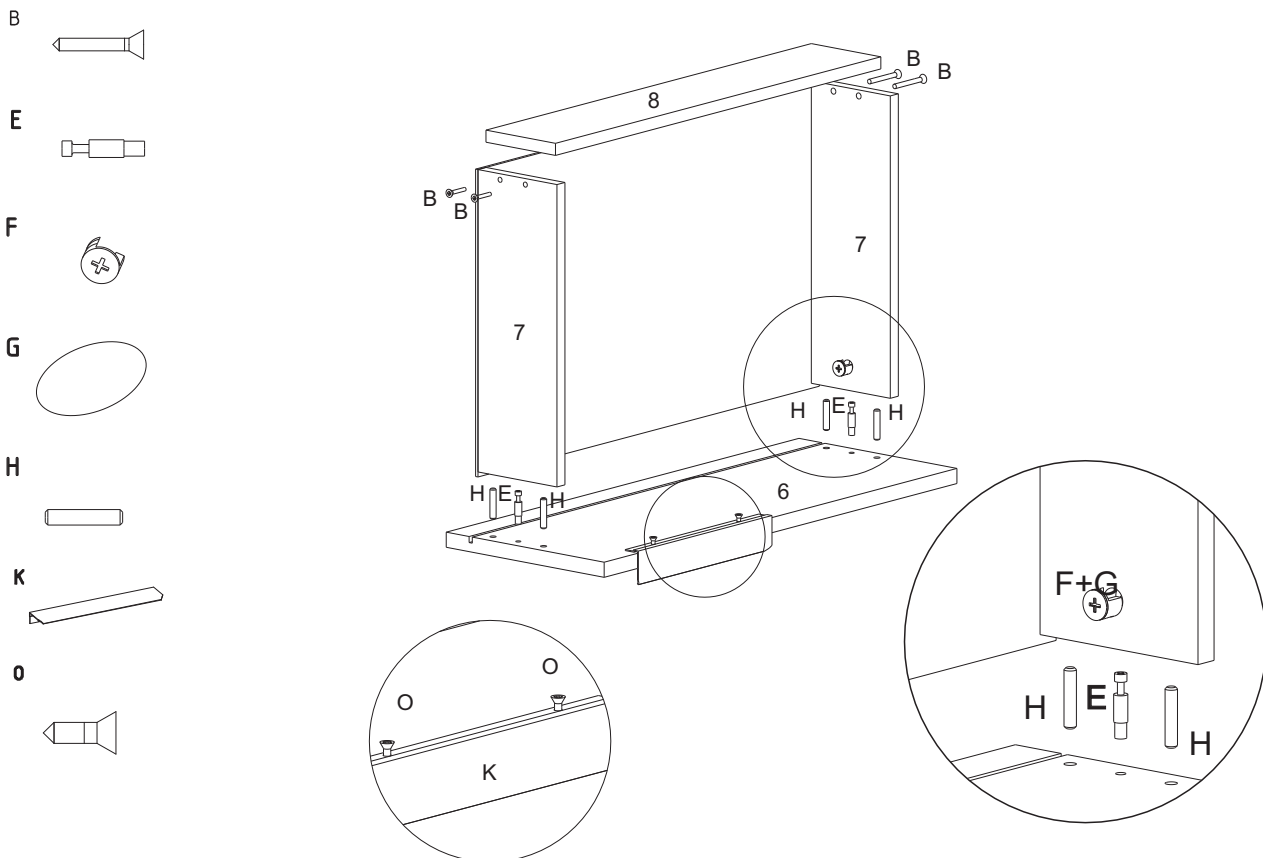
STEP 04 FIXING PART 5 TO PARTS 2,3 AND 4



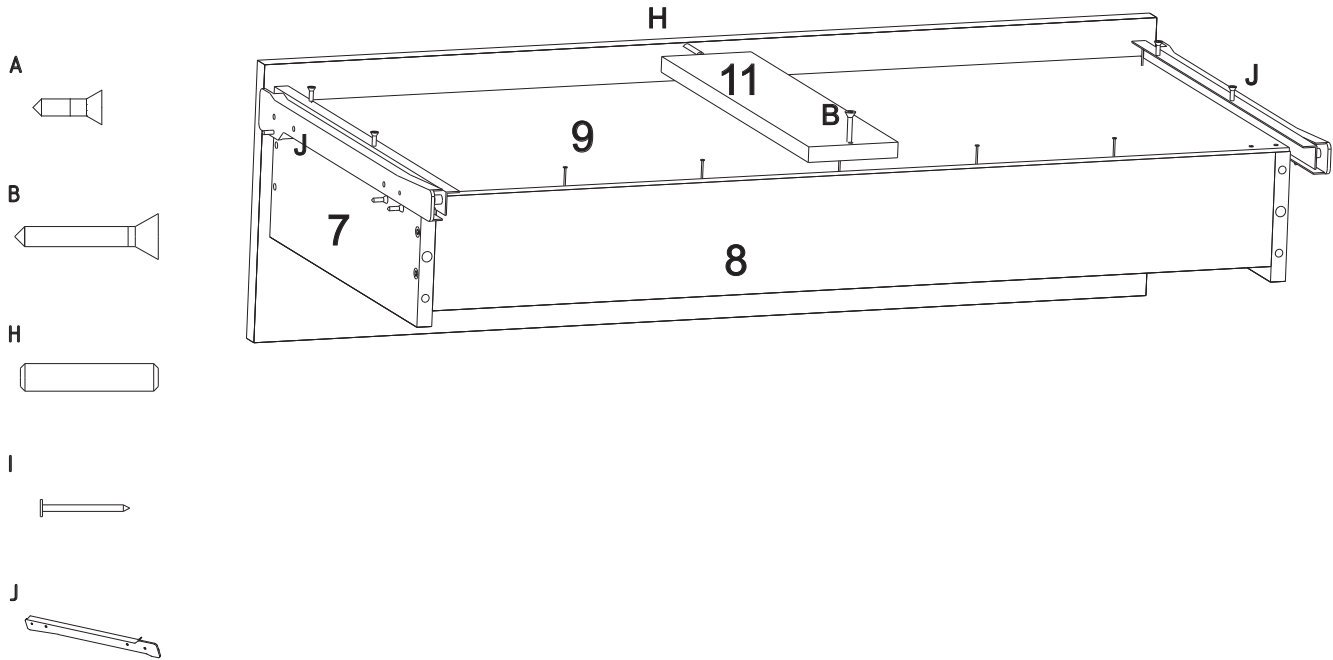
STEP 05    FIXING PART 10 USING THE I AND L ACCESSORIES



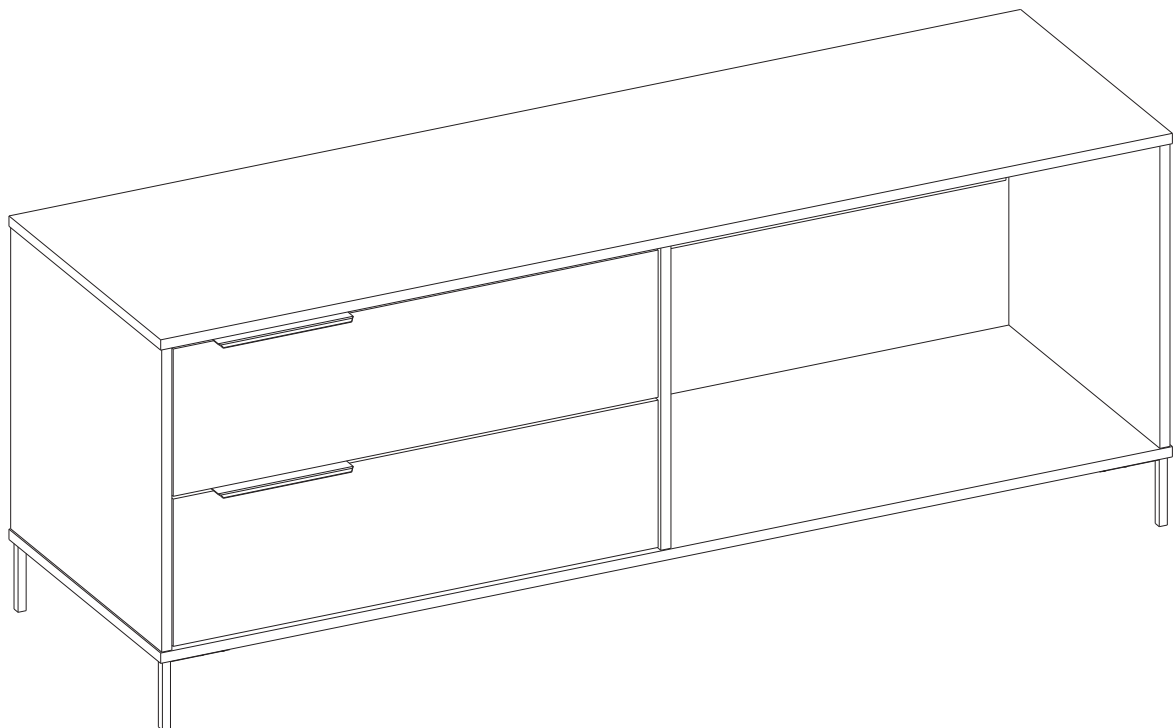
STEP 06    FIXING PARTS 6 AND 8 IN PARTS 7  
 FIXING THE HANDLE (K) TO PART 6



STEP 07 ATTACH PART 9 TO PARTS 7 AND 8 AND SECURE PART 11 TO PART 9  
FIXING THE SLIDE (J) TO PARTS 9 AND 7



STEP 08 FINAL ASPECT OF PRODUCT



## SPECIAL NOTES - TAKING CARE OF YOUR PRODUCT



NEVER USE A CHEMICAL CLEANING PRODUCT, IT CAN DAMAGE THE FINISH. FOR CLEANING, USE A SLIGHTLY DAMP CLOTH AND WIPE DRY.



NEVER LET LIQUIDS OR DAMP ON THIS FURNITURE.



TO AVOID DULLING OF THE FINISH, DO NOT PLACE FURNITURE IN DIRECT SUNLIGHT.



TO CLEAN, USE A SOFT OR SLIGHTLY DAMP CLOTH, THEN WIPE WITH A CLEAN, DRY CLOTH, PREFERABLY USE A NEUTRAL SOAP.