









ASSEMBLY INSTRUCTIONS

EASTERN TIDES X-BACK STOOL

WHITE

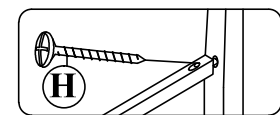
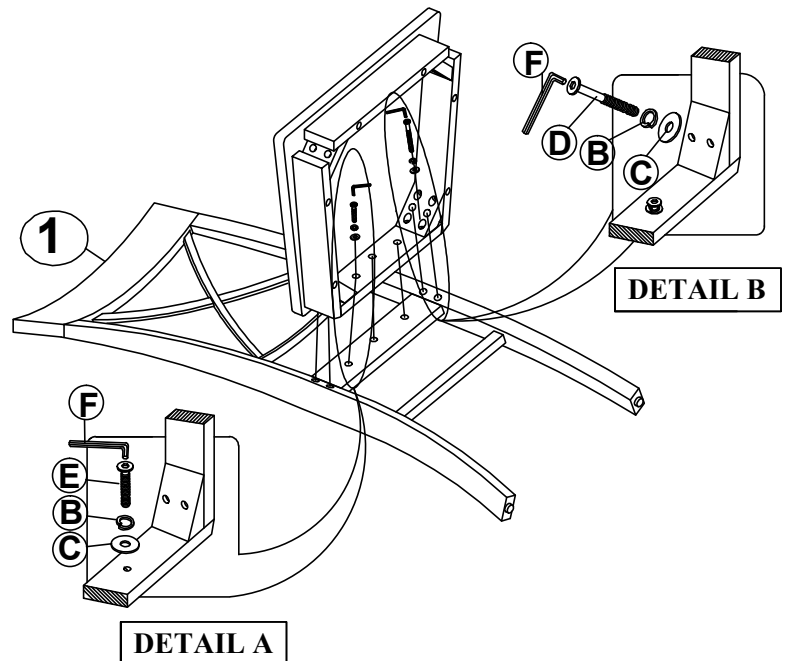
Thank you for purchasing this quality product. Be sure to check all packing material carefully for small parts that may have come loose inside the carton during shipment.

Key Parts		
No	Description	Q'Ty
1	Chair Back	1 pc
2	Complete Seat	1 pc
3	Right Side Facing Leg	1 pc
4	Left Side Facing Leg	1 pc
5	Right Side Facing Stretcher	1 pc
6	Left Side Facing Stretcher	1 pc
7	Front Stretcher	1 pc
8	Floor glide	4 pcs

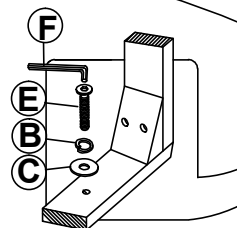
Hardware kit			
No		Description	Q'Ty
A		Hexa Nut Ø5/16"	4 pcs
B		Lock Washer Ø5/16"	11 pc
C		Flat Washer Ø5/16"	11 pc
D		Long Bolt 1/4" x 3"	4 pc
E		Short Bolt 1/4" x 1.5"	3 pc
F		Allen Key	1 pc
G		Key Wrench	1 pc
H		Screw Ø4 x 38mm	6 pcs

STEP 1

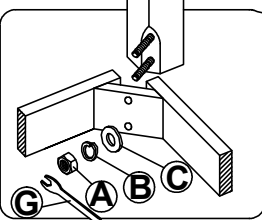
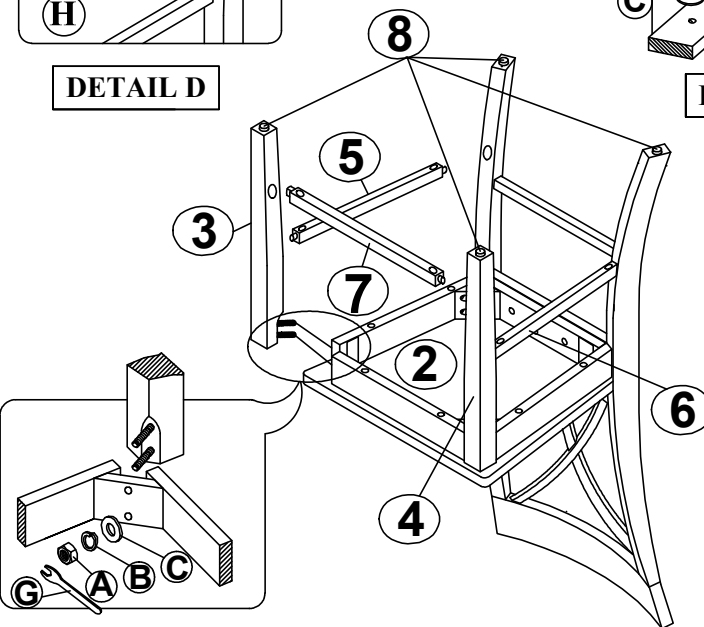
- Carefully lay Chair Back flat on a smooth flat surface to prevent scratches.
- Affix Complete Seat to Chair Back by inserting a Flat Washer (C), Lock Washer (B) with Short Bolt (E) into each of the hole on the back rail of the seat, and Long Bolt (D) with washes into each of 2 holes in the Complete Seat corners. (See Detail A & B).
- Tighten screws with provided Allen Key (F) by turning clockwise until secure



DETAIL D



DETAIL A



DETAIL C

STEP 2

- Carefully turn chair upside down and attach each Front Leg to the front corners of the Complete Seat (Keeping in mind of the right side and left side leg) with a Flat Washer (C), Lock Washer (B) and Nut (A). (See detail C). Keep nut loose at this point. Insert right side stretcher and left side stretcher between the Front and Back Legs, then insert the Front Stretcher between the two Front Legs. (Make sure that the side stretchers are not at an angle as the front legs are on the wrong side). Fasten stretchers to legs with Screws (H) using a Screwdriver (not provide).
- Be sure to level the chair prior to tightening front leg nuts with wrench provided (G).