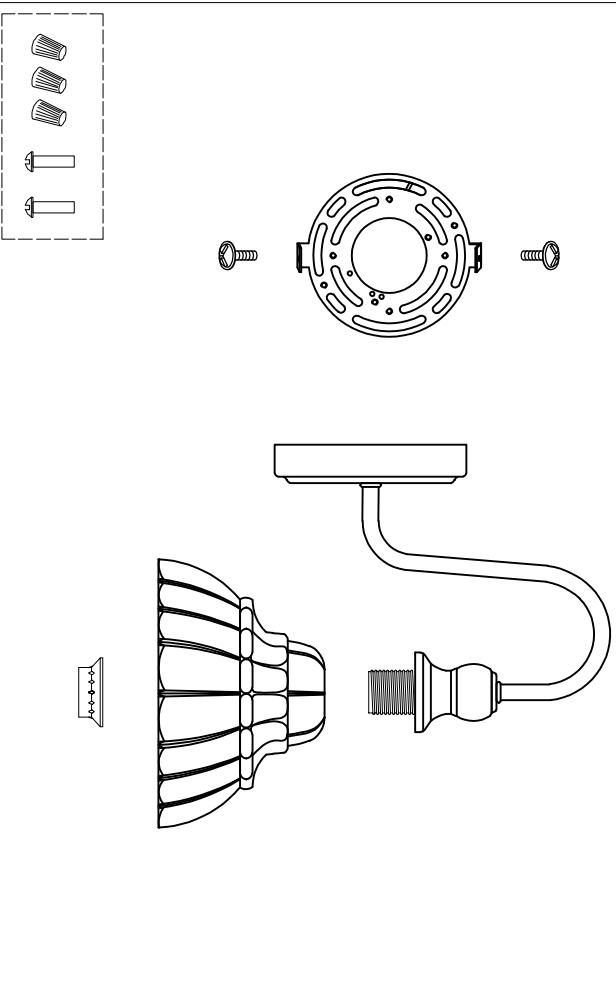
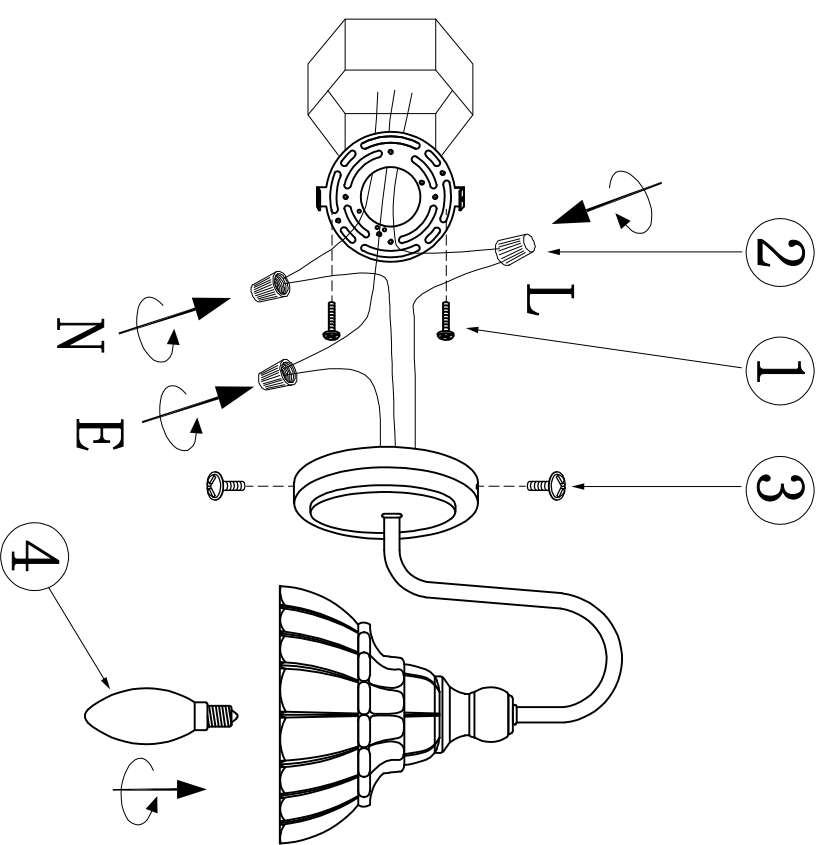


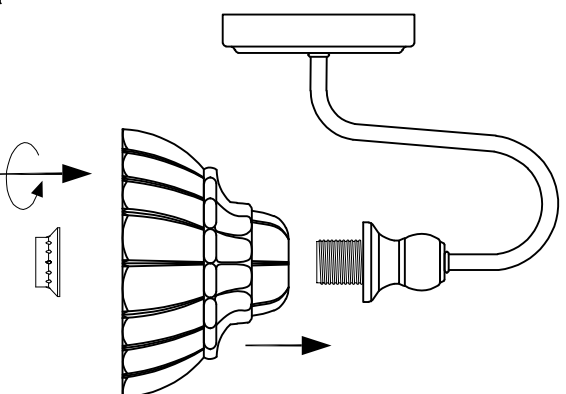
Parts



Steps 2



Steps 1



1. Install Glass Lampshade

1. Assembled the mounting bracket to the ceiling junction box with the screw.
2. Connect the power cord out from the ceiling junction box to lamp wires with the lead wire and wire nut. according the color to connect. (U.S.-black for "L", white for "N", copper wire for "Ground E")
3. Assemble the canopy to the mounting bracket with the screw.
4. Install the bulb