

## NOTICE

\*Please make sure that you have all parts indicated and they are in good condition before you begin assembly of this item. Refer to part list and hardware list below for guidance.

\*This item should be assembled on a soft surface to prevent scratching the finish during assembly.

\*This item may require periodic tightening.

\*If you are having difficulty, our friendly Customer Care team is always here to help. Please email [customersupport@safavieh.com](mailto:customersupport@safavieh.com)

## PREPARATION

\*Before beginning assembly of product, make sure all parts are present. Compare parts with part contents list and hardware contents list.

\*If any part is missing or damaged, do not attempt to assemble the product.

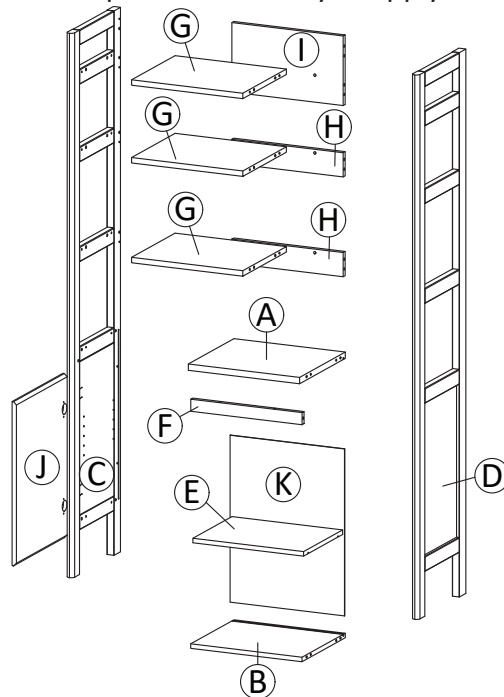
\*Estimated Assembly Time: 60 minutes.

\*Tools Required for Assembly (included): Allen Key

## CARE AND MAINTENANCE

Always use felt pads under all articles to prevent discoloration or softening of the lacquer. Plastic and rubber bases on items can discolor wood. Wipe up spills immediately and avoid common hazards such as hot dishes, harsh solvents and abrasives. Cleaning should be done with a soft lint free cotton cloth dampened with water or furniture polish. On highly used surfaces we recommend applying a quality paste wax which should be used on a regular basis to provide additional protection from scratches and spills. How often you apply the wax depends on how much wear the furniture receives.

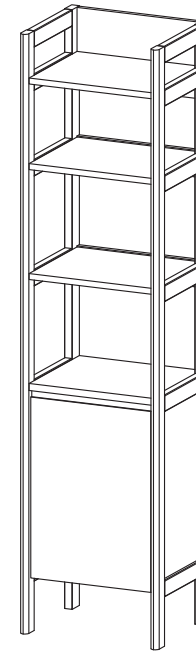
### Part List



 **SAFAVIEH**  
FURNITURE

Model# ETG9600

Product Dimensions: 17.40x"Wx14.17x"Dx70.87"H



### WARNING :

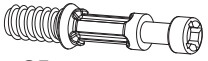





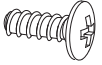
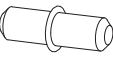
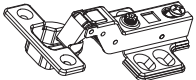
**WEIGHT CAPACITY: 20 LBS.**

**SHELF LOAD CAPACITY: 18 LBS**

**Warning : Do not stand on chest.**

**Warning : Do not over torque bolts.**

## Hardware List

<p>HW1x28</p>  <p>Ø 6 x 35 mm</p>	<p>HW2x28</p>  <p>Ø 15 mm</p>	<p>HW3x38</p>  <p>Ø 8 x 30 mm</p>	<p>HW4x6</p>  <p>M 3.5 x 15.5 mm</p>	<p>HW5x6</p> 	<p>HW6x4</p> 
<p>HW7x12</p>  <p>M 4.5 x 12.5 mm</p>	<p>HW8x4</p> 	<p>HW HS26Cx2</p> 			

## Part List & HW For Multi-Box Items

Piece	Description	Qty
A	Top Board	1
B	Bottom Board	1
C	Side Board Left	1
D	Side Board Right	1
E	Adjustable Shelf	1
F	Front Skirt	1
G	Fixed Shelf	3
H	Back Skirt 1	2
I	Back Skirt 2	1
J	Door	1
K	Back Board	1

Piece	Description	Qty
HW1	Cambolt	28
HW2	CamLock	28
HW3	Dowel	38
HW4	Screw M 3.5 x 15.5 mm	6
HW5	Wedge	6
HW6	Floor Protector	4
HW7	Screw M 4.5 x 12.5 mm	12
HW8	Shelf Pin	4
HW HS26C	Hinge	2

# PREPARATION

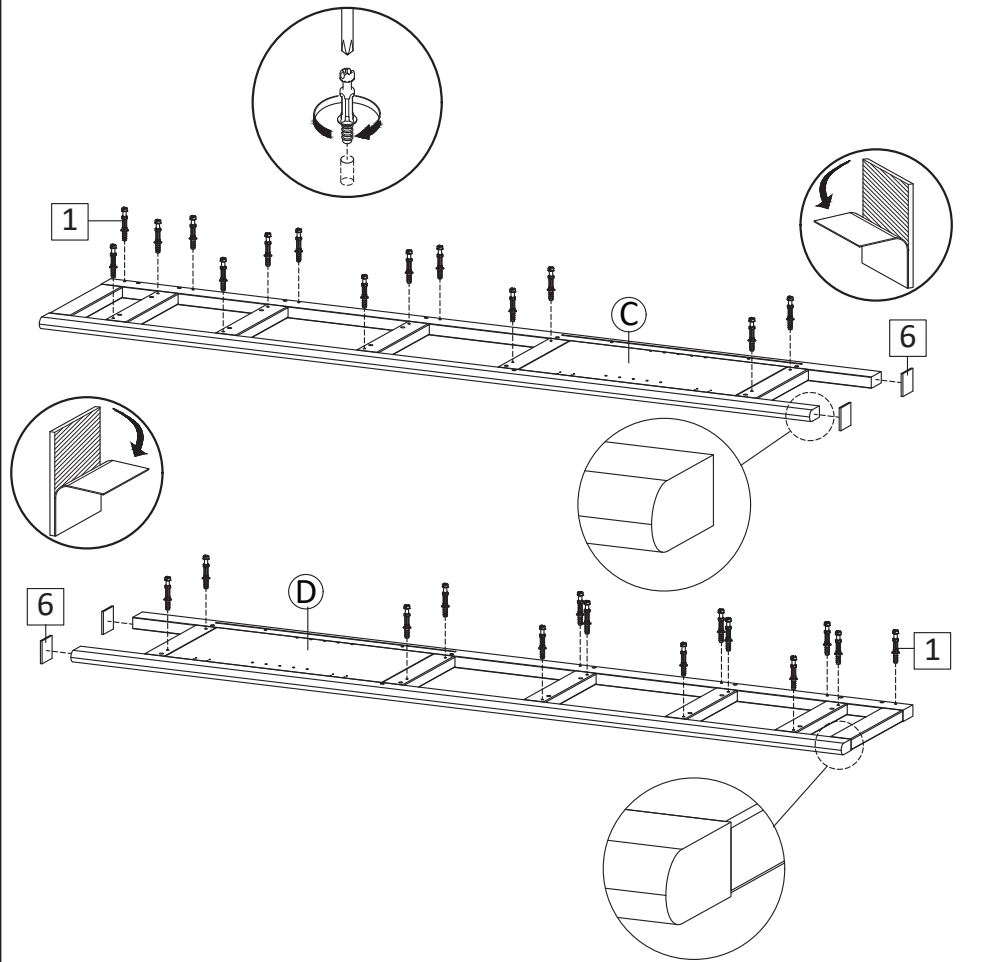
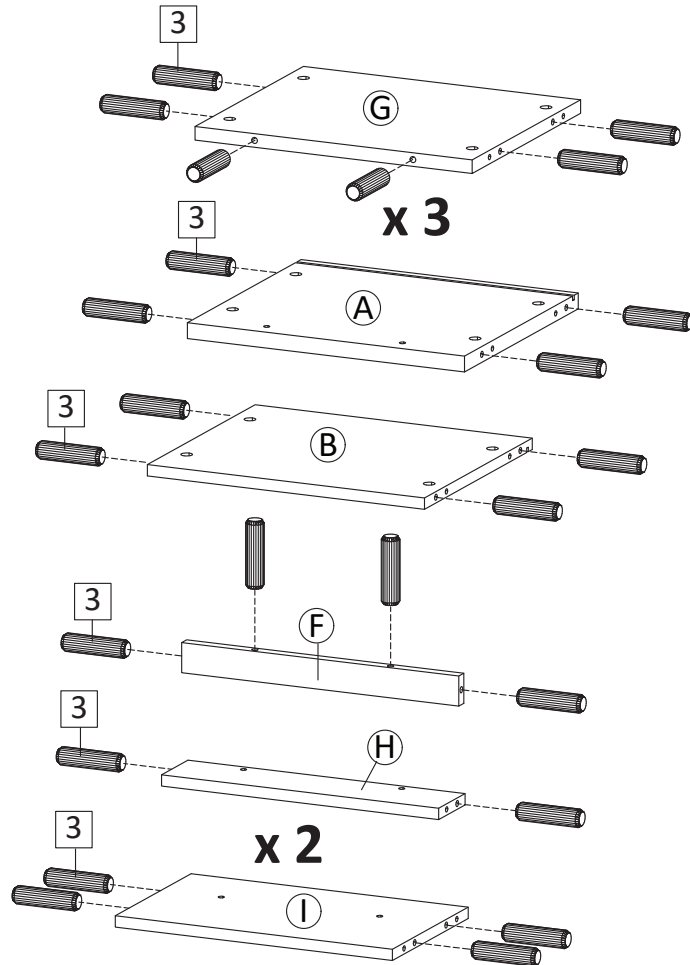
\*Before beginning assembly of product, make sure all parts are present. Compare parts with part contents list and hardware contents list.

\*If any part is missing or damaged, do not attempt to assemble the product.

\*Estimated Assembly Time: 60 minutes.

\*Tools Required for Assembly (included): Allen Key

\*If you are having difficulty, our friendly Customer Care team is always here to help. Please email [customersupport@safavieh.com](mailto:customersupport@safavieh.com)



**STEP1:** Insert Dowel (HW3) into Top Board (A), Bottom Board (B), Front Skirt (F), Fixed Shelf (G), Back Skirt 1 (H) and Back Skirt 2 (I) into position as the above image.

**STEP2:** Insert Cambolt (HW1) into the Side Board Left (C) and Side Board Right (D) into position as the above image. Attach Floor Protector (HW6) into Side Board Left (C) and Side Board Right (D) as figure.

# PREPARATION

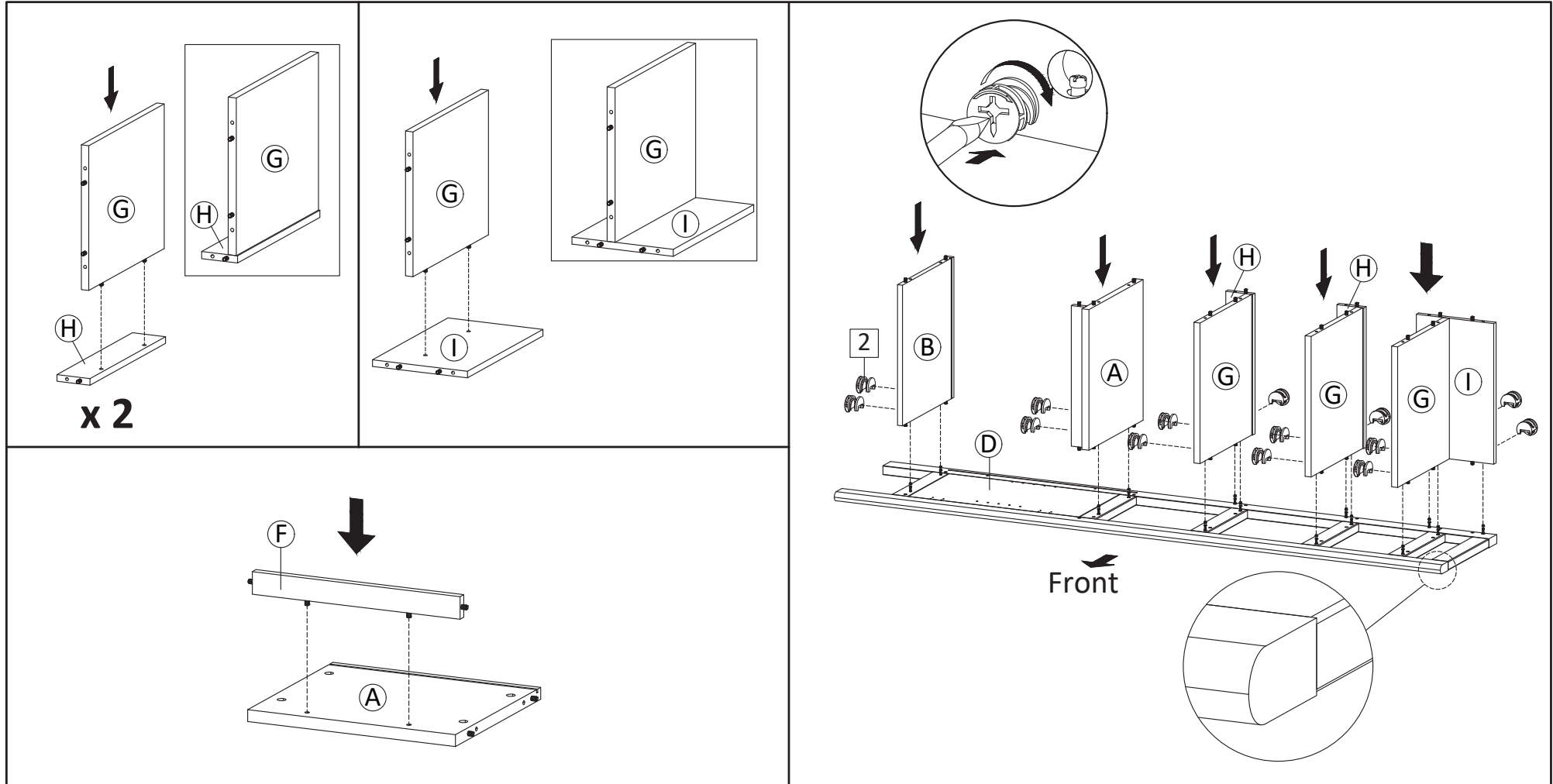
\*Before beginning assembly of product, make sure all parts are present. Compare parts with part contents list and hardware contents list.

\*If any part is missing or damaged, do not attempt to assemble the product.

\*Estimated Assembly Time: 60 minutes.

\*Tools Required for Assembly (included): Allen Key

\*If you are having difficulty, our friendly Customer Care team is always here to help. Please email [customersupport@safavieh.com](mailto:customersupport@safavieh.com)



**STEP3:** Combine Fixed Shelf (G), Back Skirt 1 (H) and Back Skirt 2 (I) into position as the above image. Attach Front Skirt (F) Into Top Board (A) according the picture.

**STEP4:** Insert Bottom board (B), Top Board (A) and Fixed Shelf (G) into Side Board Right (D), secure with Camlock (HW2) then tighten using screwdriver.

# PREPARATION

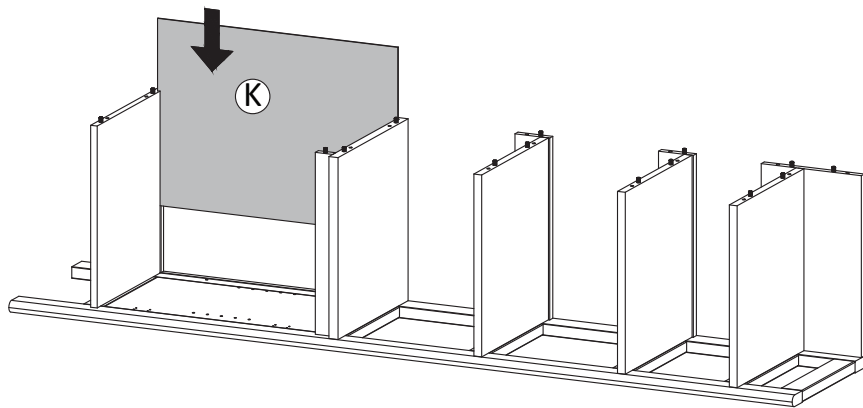
\*Before beginning assembly of product, make sure all parts are present. Compare parts with part contents list and hardware contents list.

\*If any part is missing or damaged, do not attempt to assemble the product.

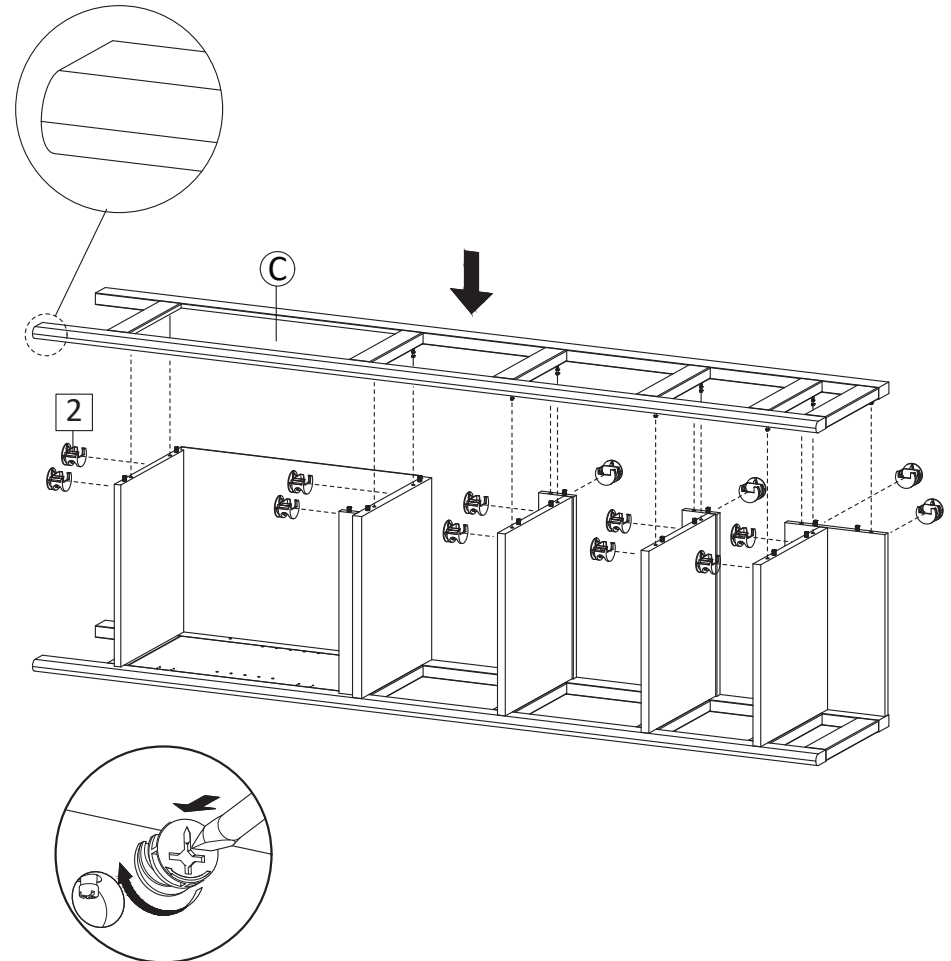
\*Estimated Assembly Time: 60 minutes.

\*Tools Required for Assembly (included): Allen Key

\*If you are having difficulty, our friendly Customer Care team is always here to help. Please email [customersupport@safavieh.com](mailto:customersupport@safavieh.com)



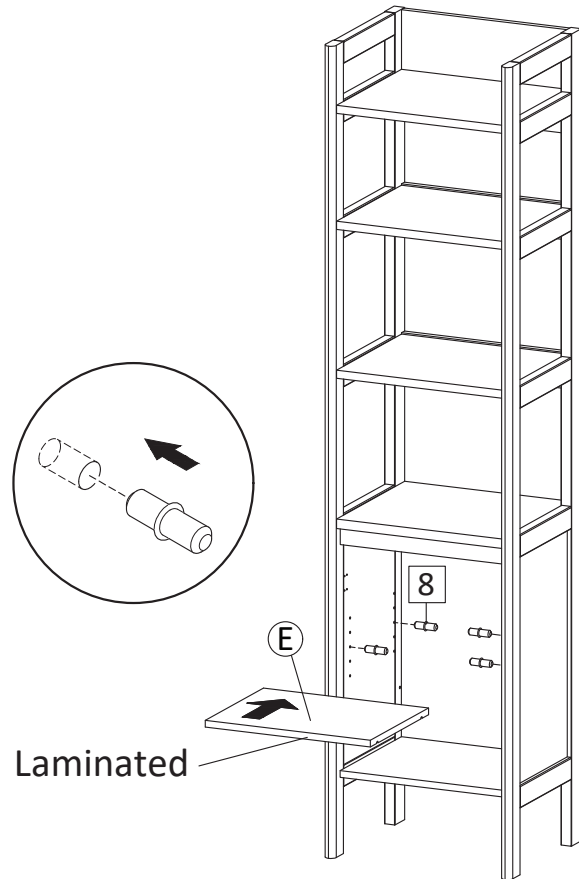
**STEP5:** Attach Back Board (K) into position as the above image.



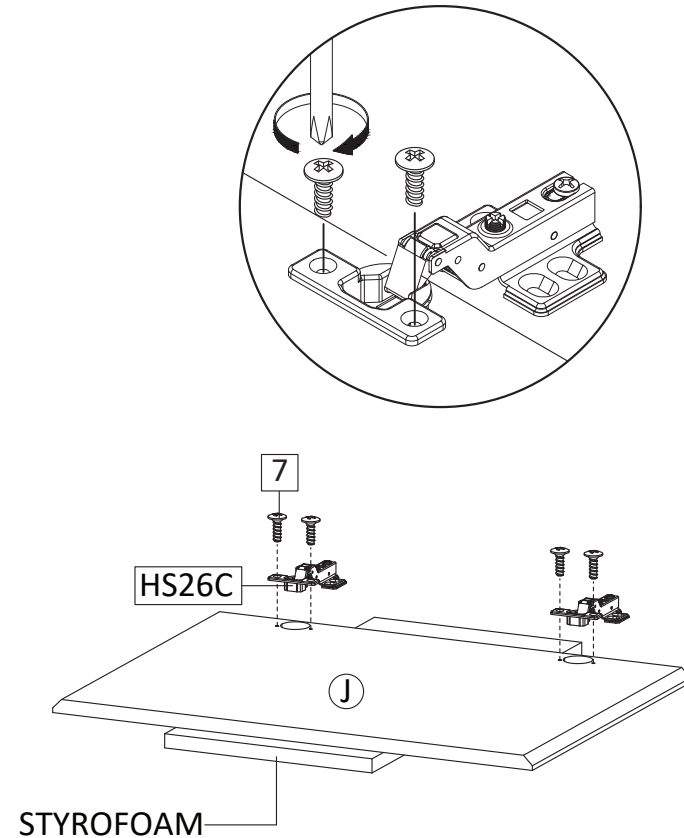
**STEP6:** Attach Side Board Left (C) and secure with Camlock (HW2) then tighten using screwdriver into position as the above image.

# PREPARATION

- \*Before beginning assembly of product, make sure all parts are present. Compare parts with part contents list and hardware contents list.
- \*If any part is missing or damaged, do not attempt to assemble the product.
- \*Estimated Assembly Time: 60 minutes.
- \*Tools Required for Assembly (included): Allen Key
- \*If you are having difficulty, our friendly Customer Care team is always here to help. Please email [customersupport@safavieh.com](mailto:customersupport@safavieh.com)



**STEP7:** Insert Shelf Pin (HW8) into the holes on Side Boards on the desired level. Then place the Adjustable Shelf (E) by inserting the grooved line on the shelf into the shelf support.

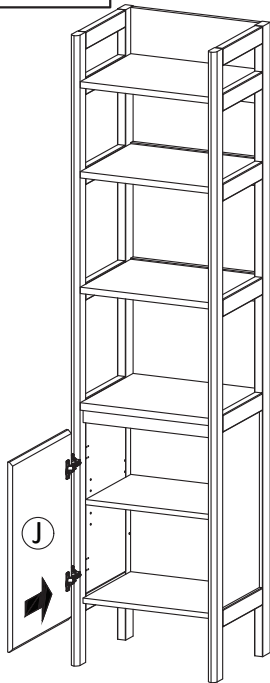
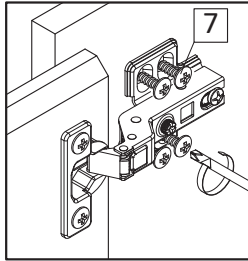


**STEP8:** Insert Hinge (HW HS26C) into the pre-drilled holes on the Door panels (J). Secure with the M4.5x12.5mm Screws (HW7).

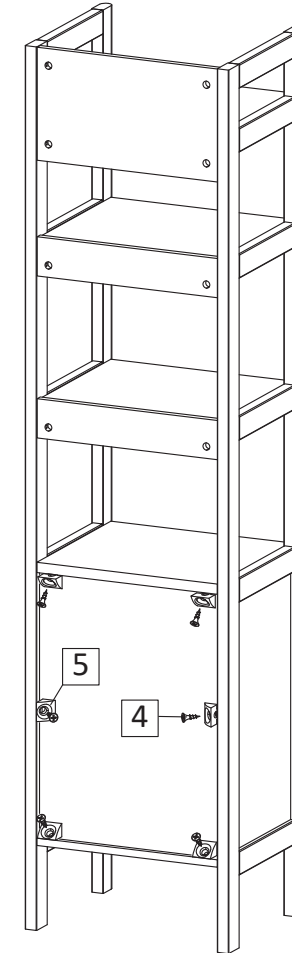
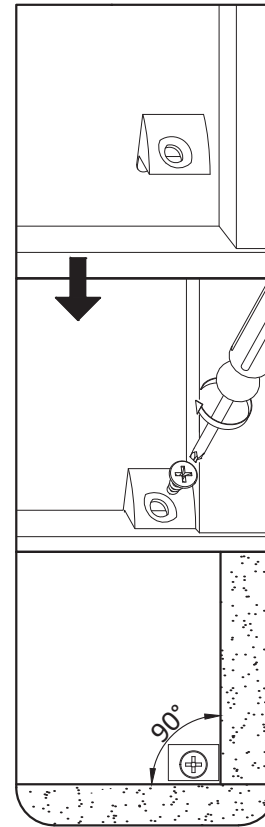
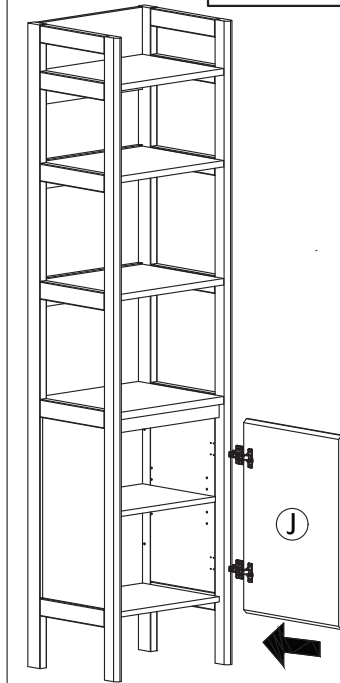
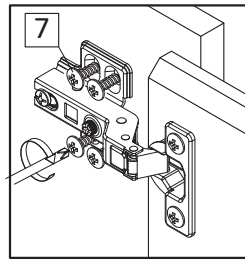
# PREPARATION

- \*Before beginning assembly of product, make sure all parts are present. Compare parts with part contents list and hardware contents list.
- \*If any part is missing or damaged, do not attempt to assemble the product.
- \*Estimated Assembly Time: 60 minutes.
- \*Tools Required for Assembly (included): Allen Key
- \*If you are having difficulty, our friendly Customer Care team is always here to help. Please email [customersupport@safavieh.com](mailto:customersupport@safavieh.com)

## OPTION 1



## OPTION 2

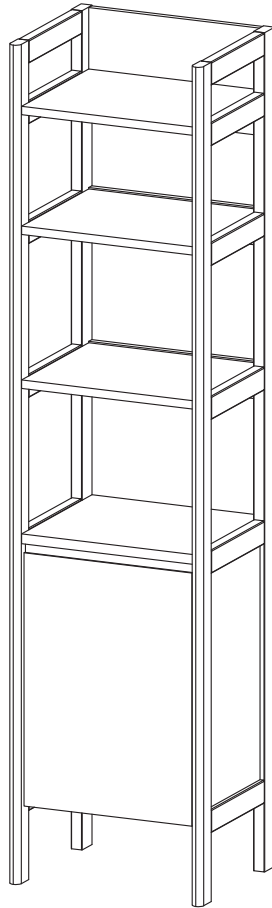


**STEP9:** Door installation can be installed on the right and left. Install Door (J) into Side Board Left. Please see the above images carefully. Secure with Screw M4.5x12.5mm(HW7). Please refer to the last page for more guide on how to adjust hinges.

**STEP10:** Use Wedge (HW5), Screw M3.5x15.5mm (HW4) to tighten the back of Bookcase by using screwdriver. Please align the top board and bottom board in 90° position against the side board, before securing the wedges (HW5).

## PREPARATION

- \*Before beginning assembly of product, make sure all parts are present. Compare parts with part contents list and hardware contents list.
- \*If any part is missing or damaged, do not attempt to assemble the product.
- \*Estimated Assembly Time: 60 minutes.
- \*Tools Required for Assembly (included): Allen Key
- \*If you are having difficulty, our friendly Customer Care team is always here to help. Please email [customersupport@safavieh.com](mailto:customersupport@safavieh.com)



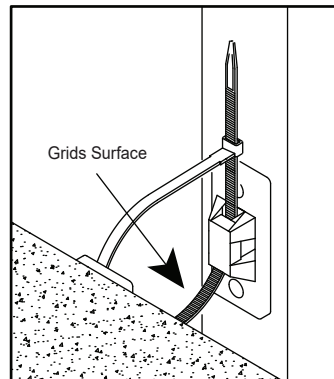
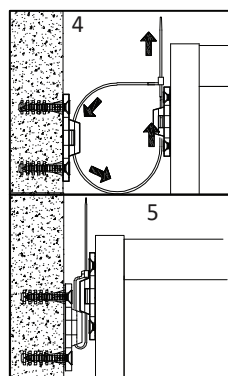
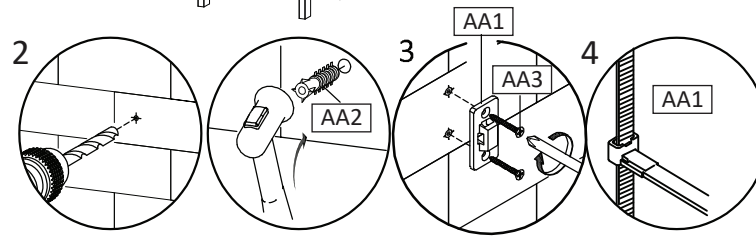
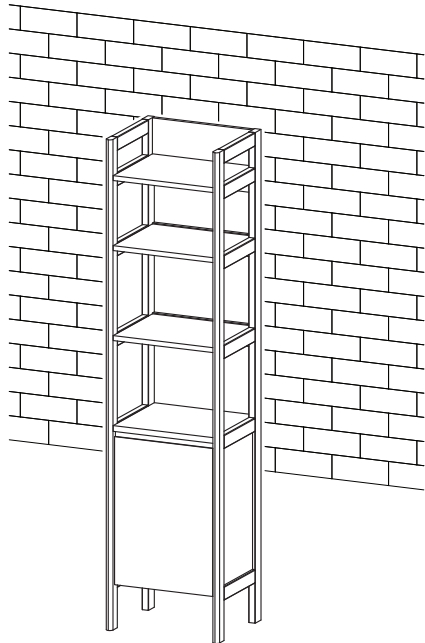
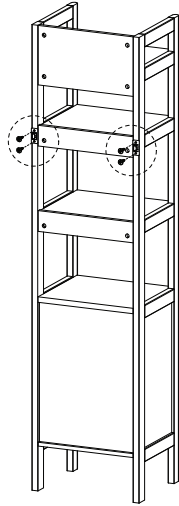
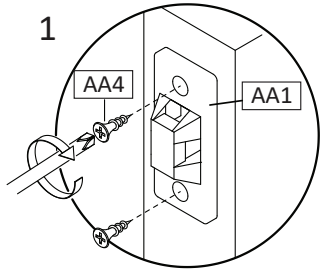
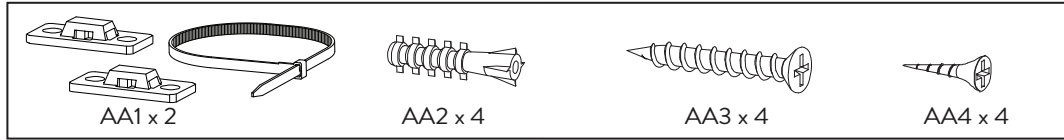
**STEP11:** Assembly is complete.

# TIPPING RESTRAINTS KIT INSTALLATION GUIDANCE

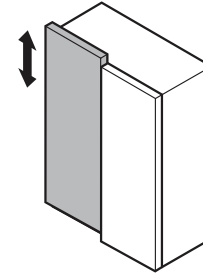
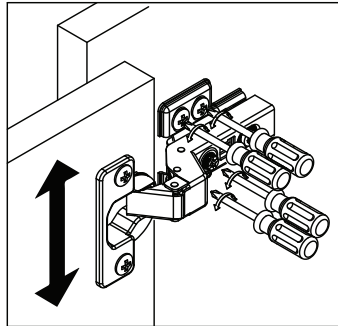
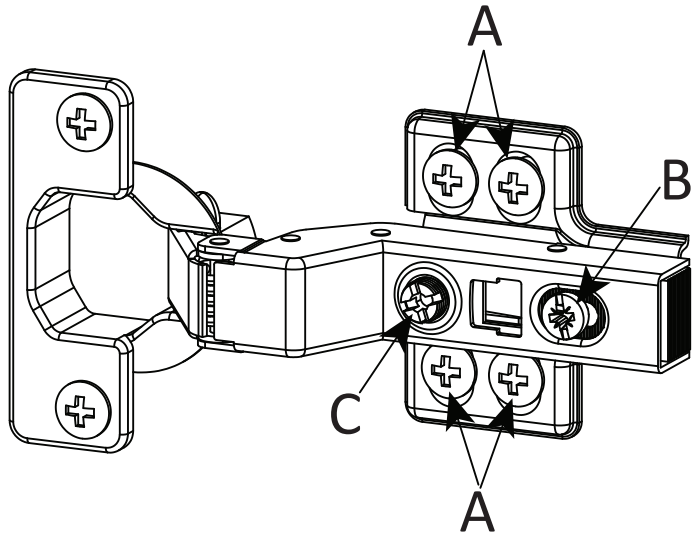
Different wall materials require unique wall fasteners.

The wall plugs (AA2) and screws (AA3) are designed for fixing to concrete walls only.

Please consult your local hardware store to ensure you are using the correct hardware for your wall type.

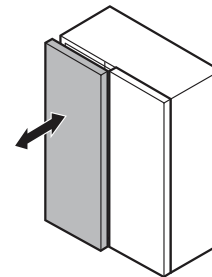
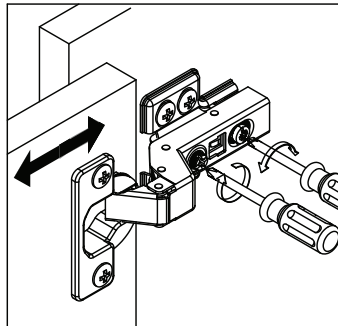


# HOW TO ADJUST HINGES



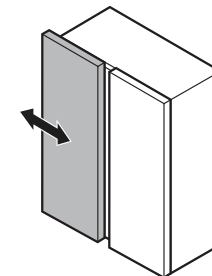
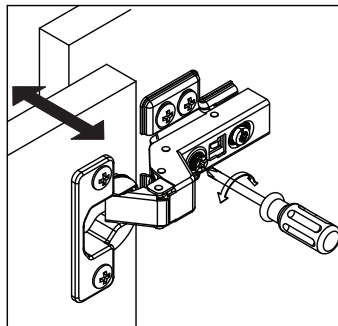
## To adjust the vertical height.

Loosen the four screws "A" on both hinges. Two of them are usually in slotted holes which allows you to adjust up or down by few mm. Then tighten back up.



## To adjust depth.

Loosen screw "B" and adjust door, if the door can not be adjusted, please loosen screw "C", then try again. Tighten screw "B" and "C".



## To adjust side ways.

Turning the screw "C" on BOTH hinges on each door.