



# 8 Degree™

Undermount bar sink w/accessories  
K-3671

## Features

- 21" (533 mm) minimum base cabinet width.
- Single bowl.
- 9-3/4" depth provides generous workspace.
- Includes installation hardware, wineglass rack, and bottom sink rack.

## Material

- Handcrafted from 16-gauge stainless steel.
- Premium 16-gauge stainless steel.

## Installation

- Undermount.

## Recommended Products/Accessories

- K-8801 Sink drain and strainer with tailpiece
- K-8799 Sink drain and strainer basket
- K-23726 Drain treatment
- K-23729 Stainless steel cleaner

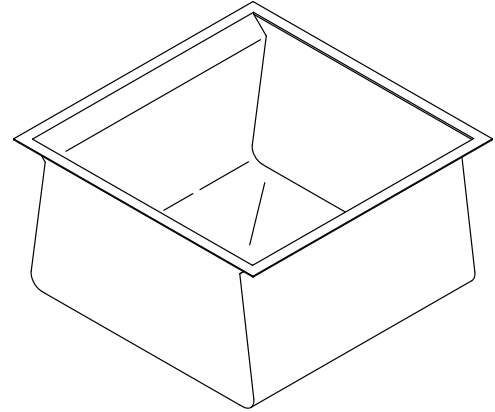
## Optional Products/Accessories

- K-3140 Cutting Board
- K-11352 Disposal Flange with Stopper

## Included Components

Additional Components:

- 6133
- 6134
- 91915



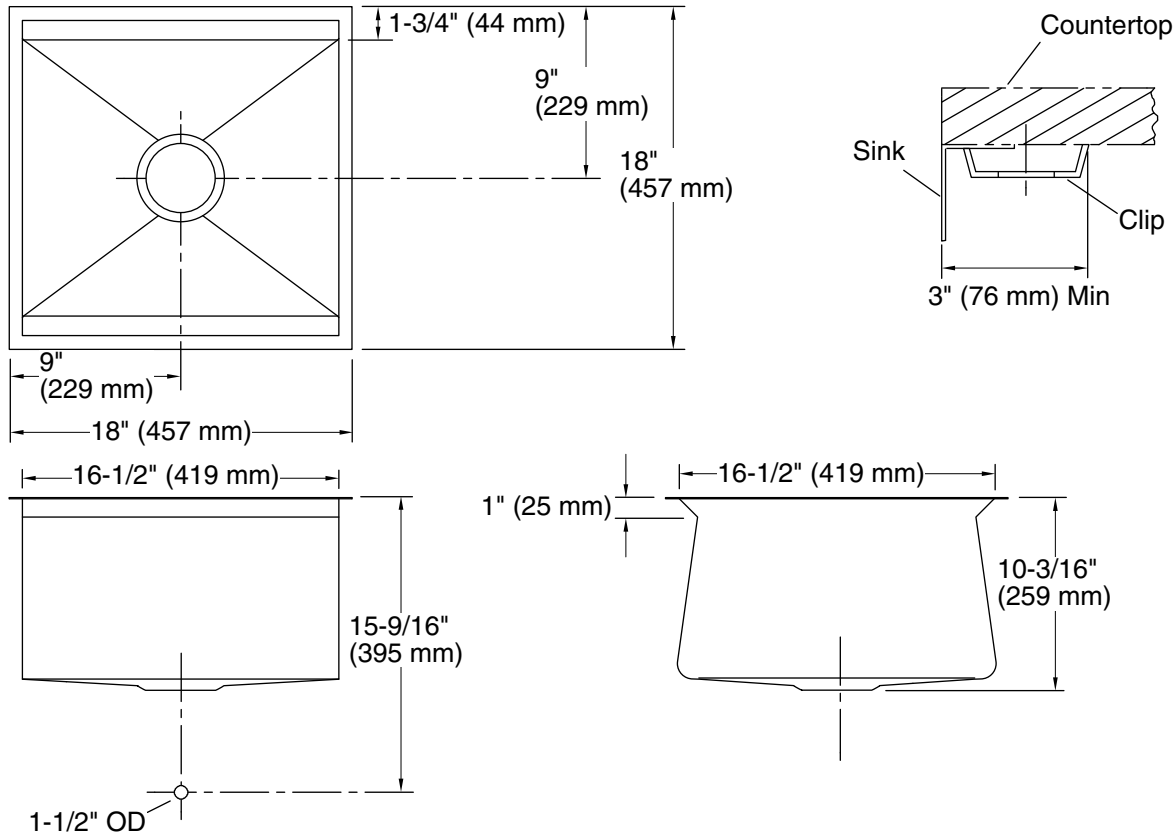
ADA

## Codes/Standards

ASME A112.19.3/CSA B45.4  
ADA  
ICC/ANSI A117.1

## Lifetime Limited Warranty for KOHLER® Stainless Steel Sinks

See website for detailed warranty information.



### Technical Information

All product dimensions are nominal.

Bowl configuration:	Single
Installation:	Undermount
Min. base cabinet width:	21" (533 mm)
Bowl area (Only):	Length: 16-1/2" (419 mm) Width: 16-1/2" (419 mm) Bowl depth: 9-3/4" (248 mm)
Drain hole:	3-5/8" (92 mm)
Template:	1093326-7, required, included

### Notes

Install this product according to the installation instructions.

Allow a minimum of 3" (76 mm) clearance around the sink rim for clip attachment.

ADA compliant when installed to the specific requirements of these regulations.

ADA permits a parallel approach to wet bars.