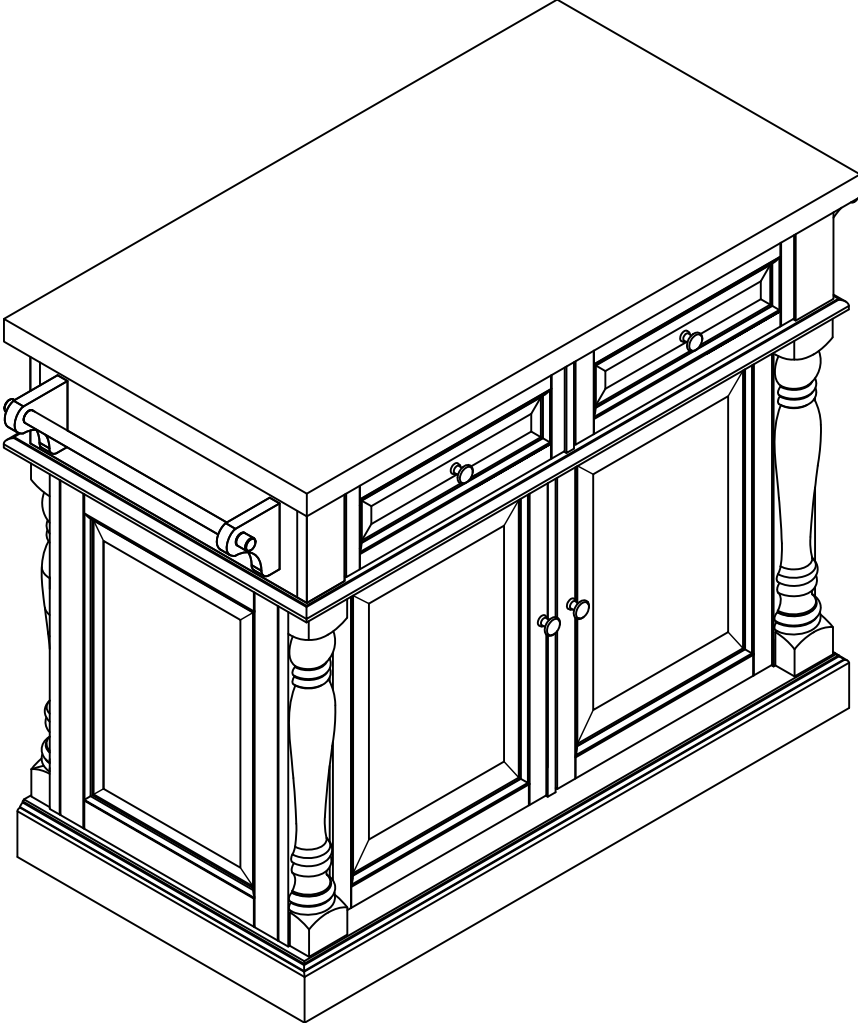
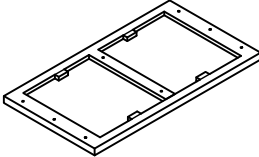
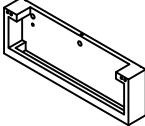
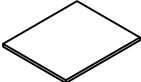
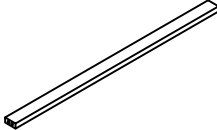
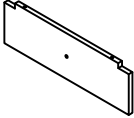

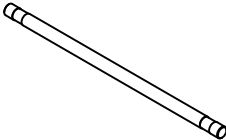
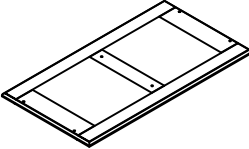
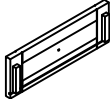

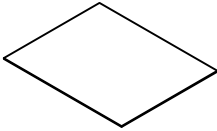
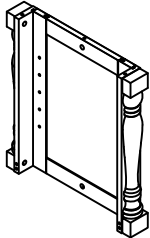
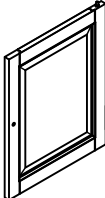
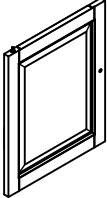
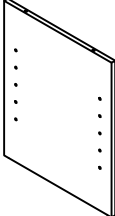
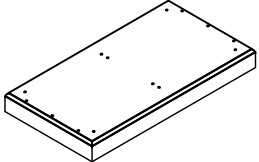


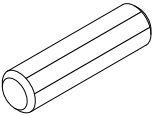
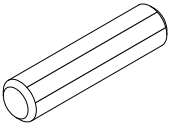
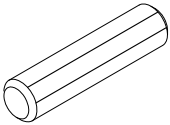
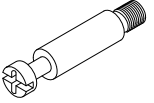
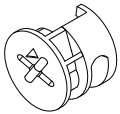
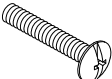
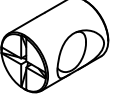
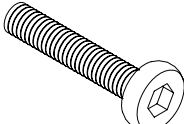
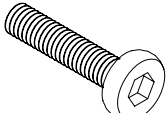

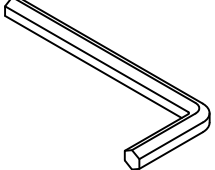
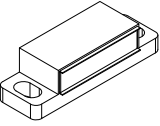
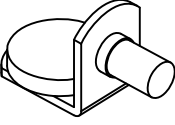
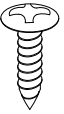
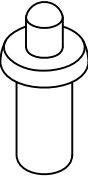



KITCHEN ISLAND WITH BUTCHER BLOCK TOP



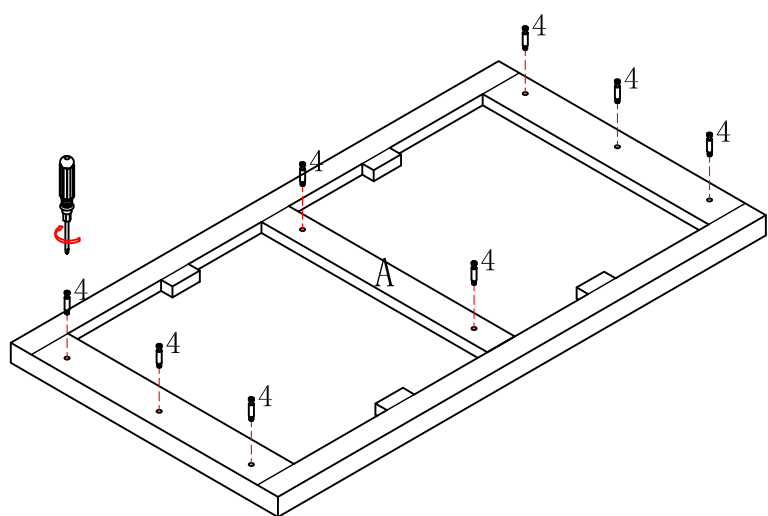
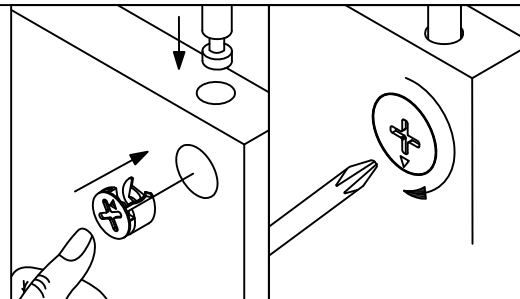
PART LIST

<p>A</p> 	<p>B</p> 	<p>C</p> 	<p>D</p> 	<p>E</p> 
<p>Top 1 PCS</p>	<p>Upper Side Frame 2 PCS</p>	<p>Adjustable Shelf 2 PCS</p>	<p>Top Rail 2 PCS</p>	<p>Upper Partition Panel 1PC</p>
<p>F</p> 	<p>G</p> 	<p>H</p> 	<p>I</p> 	<p>J</p> 
<p>Tower Bar Panel 4 PCS</p>	<p>Towel Bar 2 PCS</p>	<p>Middle Shelf Frame 1 PC</p>	<p>Drawer Front Panel 4 PCS</p>	<p>Drawer Side Panel 4 PCS</p>
<p>K</p> 	<p>L</p> 	<p>M</p> 	<p>N</p> 	<p>O</p> 
<p>Drawer Bottom Panel 2 PCS</p>	<p>Lower Side Frame 2 PCS</p>	<p>Left Door 2 PCS</p>	<p>Right Door 2 PCS</p>	<p>Lower Partition Panel 1 PC</p>
<p>Q</p>  <p>Base 1 PC</p>				

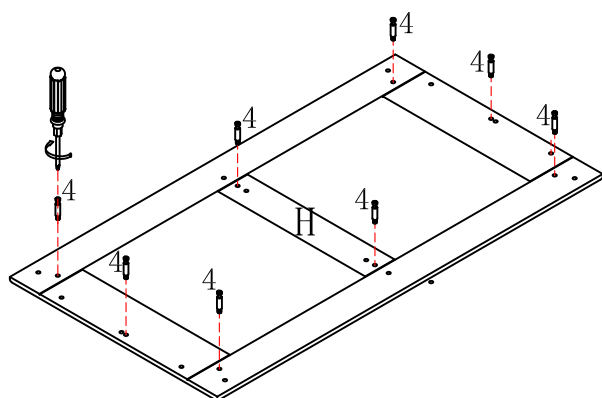
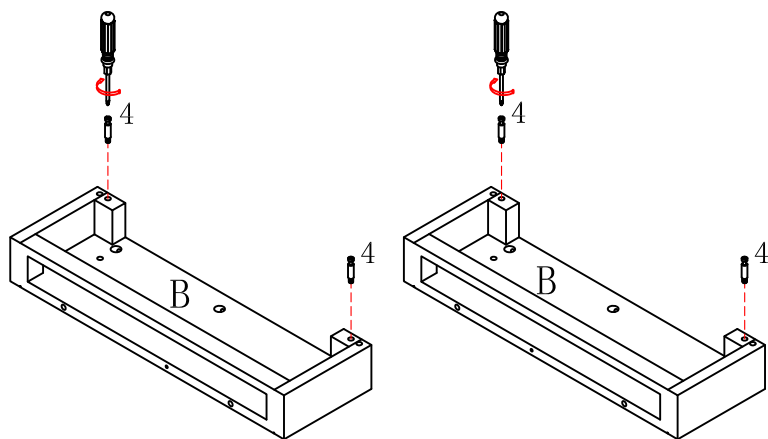
HARDWARE LIST

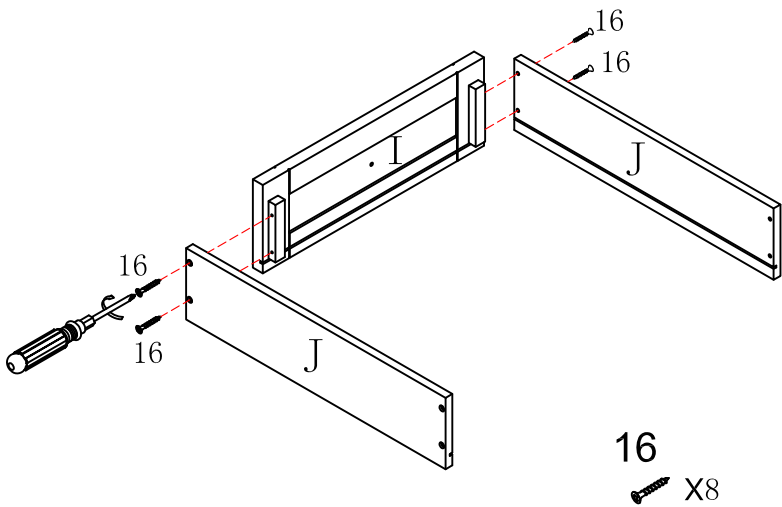
<p>1</p>  <p>ø8*30mm</p>	<p>2</p>  <p>ø8*50mm</p>	<p>3</p>  <p>ø10*60mm</p>	<p>4</p> 	<p>5</p> 
<p>Short Wood Dowel 16 PCS</p>	<p>Long Wood Dowel 6 PCS</p>	<p>Wood Dowel 1 PC</p>	<p>Cam Bolt 20 PCS</p>	<p>Cam Lock 20 PCS</p>
<p>6</p> 	<p>7</p> 	<p>8</p>  <p>2" *ø1/4" *D11</p>	<p>9</p>  <p>1-1/2" *ø1/4" *D11</p>	<p>10</p> 
<p>Round Head Bolt 8 PCS</p>	<p>Barrel Nut 8 PCS</p>	<p>Long Hex Socket Head Bolt 8 PCS</p>	<p>Short Hex Socket Head Bolt 4 PCS</p>	<p>Knob 8 PCS</p>
<p>11</p> 	<p>12</p> 	<p>13</p> 	<p>14</p>  <p>12*ø3*D6mm</p>	<p>15</p> 
<p>Hex Key 1 PC</p>	<p>Magnet 4 PCS</p>	<p>Shelf Holder 8 PCS</p>	<p>Round Head Screw 8 PCS</p>	<p>Pin Hinge (Spare Part) 8 PCS</p>
<p>16</p>  <p>1" *ø4*D8</p>	<p>17</p>  <p>1-1/4" *ø4*D8</p>	<p>18</p> 		
<p>Short Flat Head Screw 16 PCS</p>	<p>Long Flat Head Screw 14 PCS</p>	<p>Flat Washer 8 PCS</p>		

Tools needed: Allen Key (Part #11) (included)
Phillips Head Screw Driver (Not included)



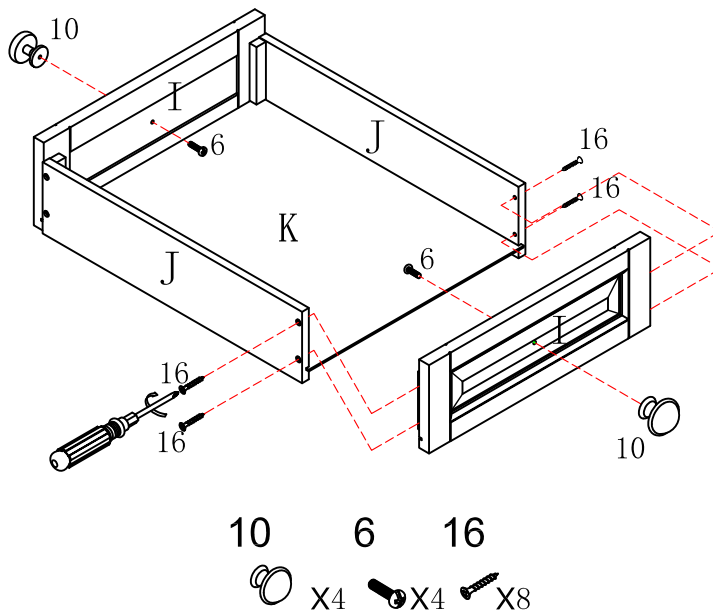
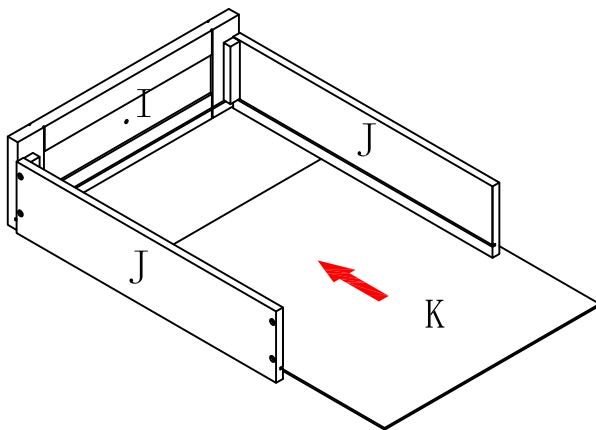
Step 1
Insert Cam Bolts (Part #4) into pre-drilled holes of parts A, B & H using Phillips Head Screwdriver as shown.
DO NOT OVERTIGHTEN.

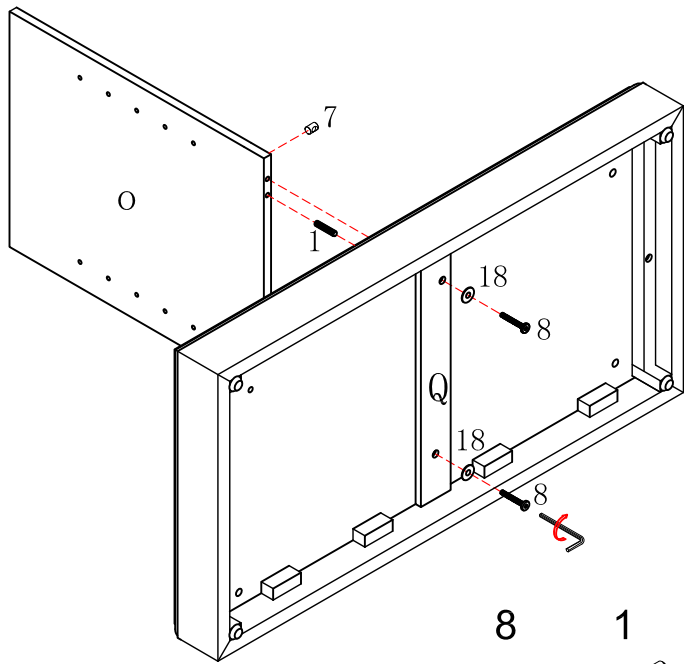




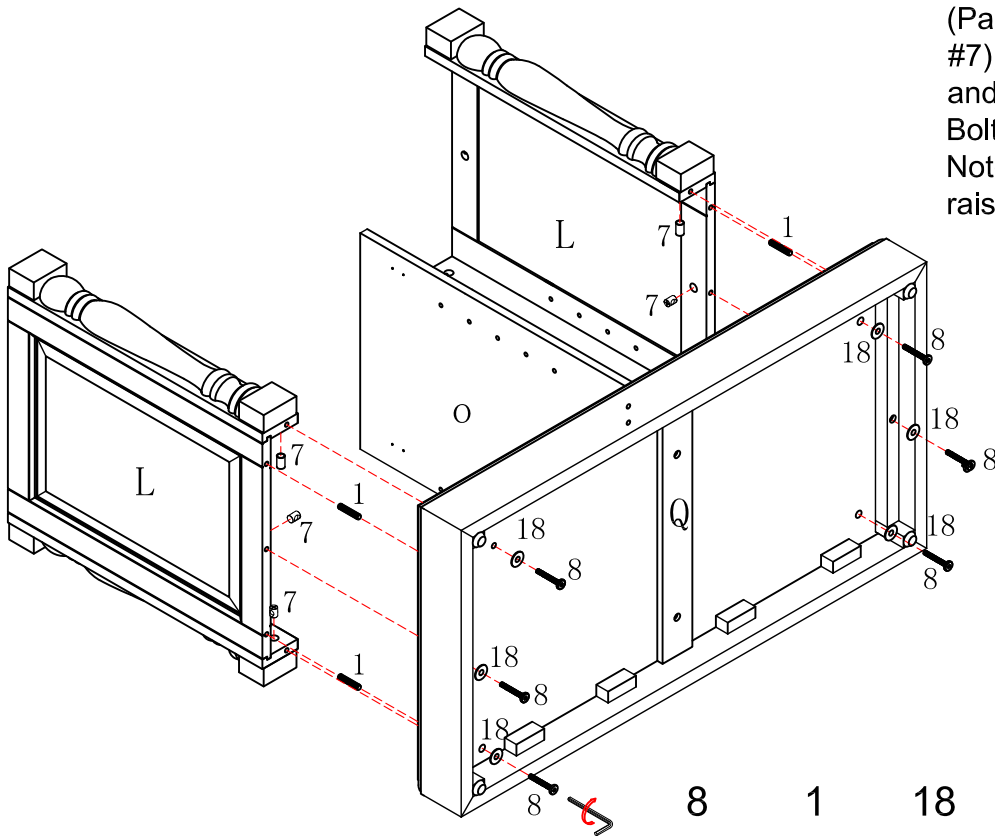
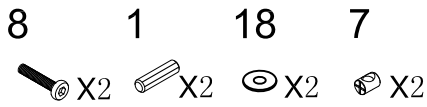
Step 2

Using Short Flat Head Screws (Part #16), attach the Drawer Side Panels (J) to one of the Drawer Front Panels (I) as show. Insert Drawer Bottom Panel (K) into the grooves of Drawer Sides (J) as shown. Attach the second Drawer Front Panel (I) to Drawer Sides (J) using Short Flat Head Screws (Part #16) as shown. Attach Knobs (Part #4) to Drawer Fronts (I) using Round Head Bolts (Part #6).

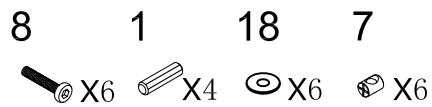


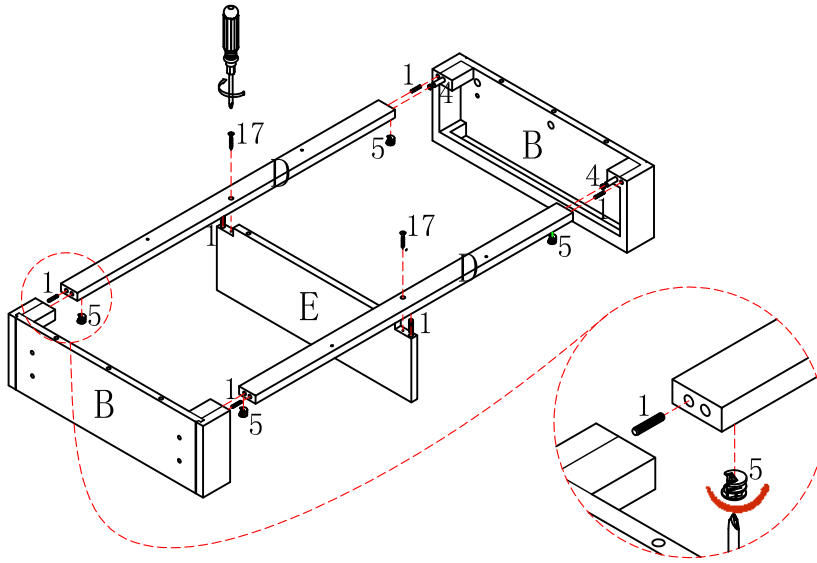
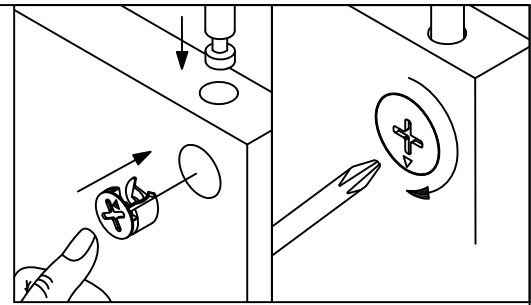


Step 3
 With Base (Q) on its side, attach lower Partition Panel (O) using Short Wood Dowels (Part #1), Barrel Nuts (Part #7), Flat Washes (Part #18), and Long Hex Socket Head Bolts (Part #8) as shown.



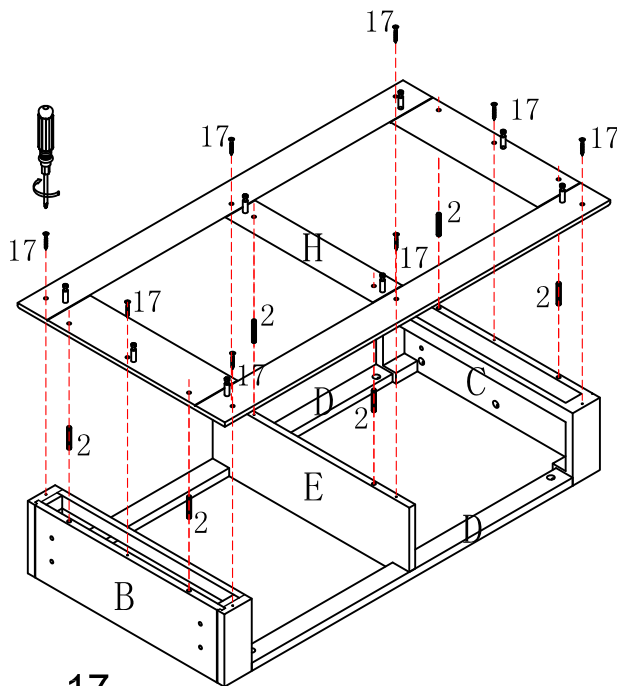
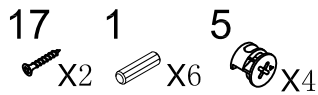
Step 4
 Attach Lower Side Frames (L) using Short Wood Dowels (Part #1), Barrel Nuts (Part #7), Flat Washers (Part #18), and Long Hex Socket Head Bolts (Part #8) as shown. Note - Be sure that the finished raised panels are facing out.





Step 5

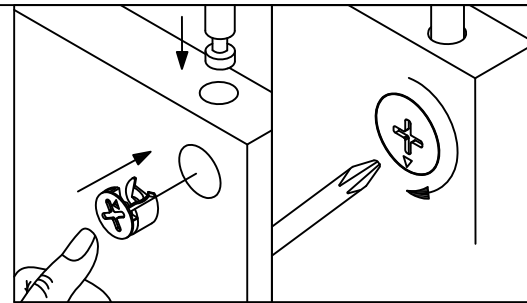
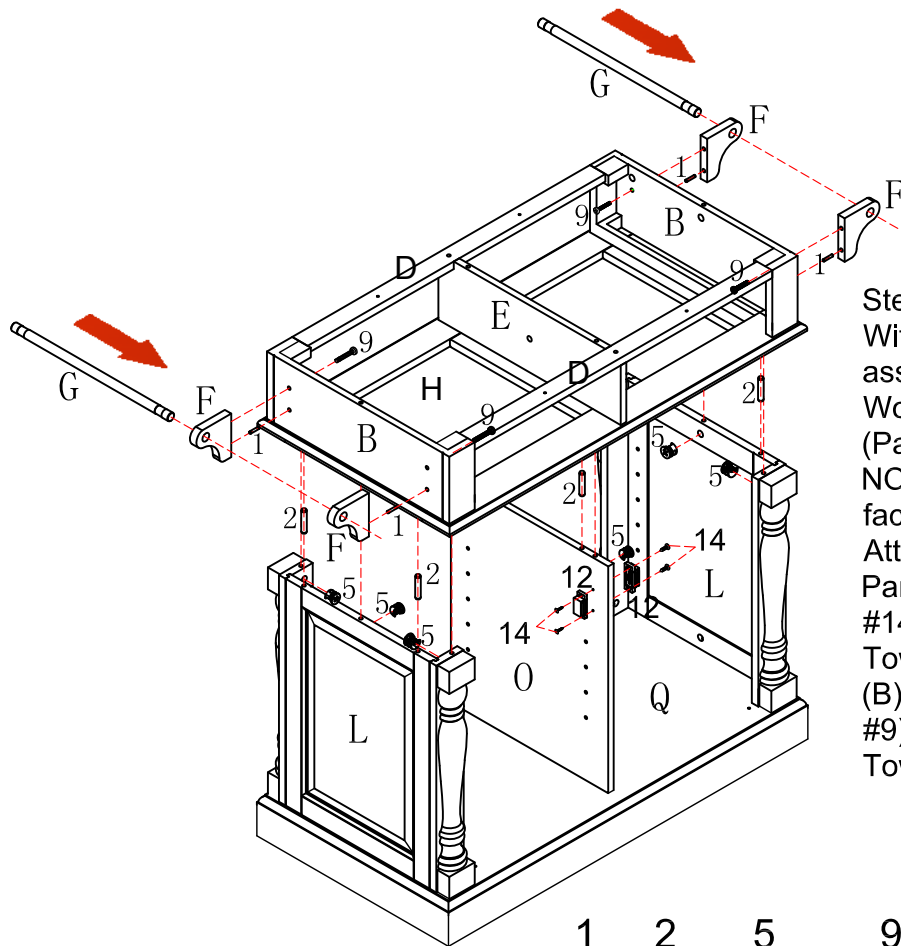
Attach Upper Side Frame (B) to Top Rails (D) using Short Wood Dowels (Part #1), and Cam Locks (Part #5) as shown. Attach Upper Partition Panel (E) to Top Rails (D) using Short Wood Dowels (Part #1), and Long Flat Head Screws (Part #17) as shown.



Step 6

Turn assembled parts B, D & E over with Top Rails (D) on a flat surface. Attach Middle Shelf Frame (H) using Long Flat Head Screws (Part #17), and Long Wood Dowels (Part #2) as shown.



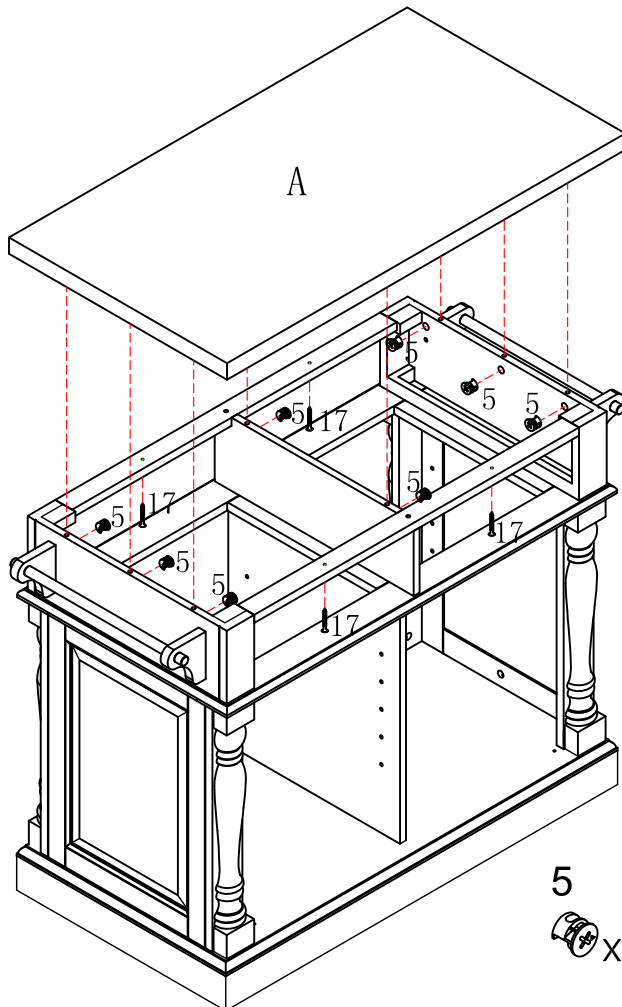


Step 7

With Base (Q) on a flat surface, attach assembled parts B, D, E, & H using Long Wood Dowels (Part #2) and Cam Locks (Part #5) as shown.

NOTE: Middle Shelf Frame (H) should be facing down.

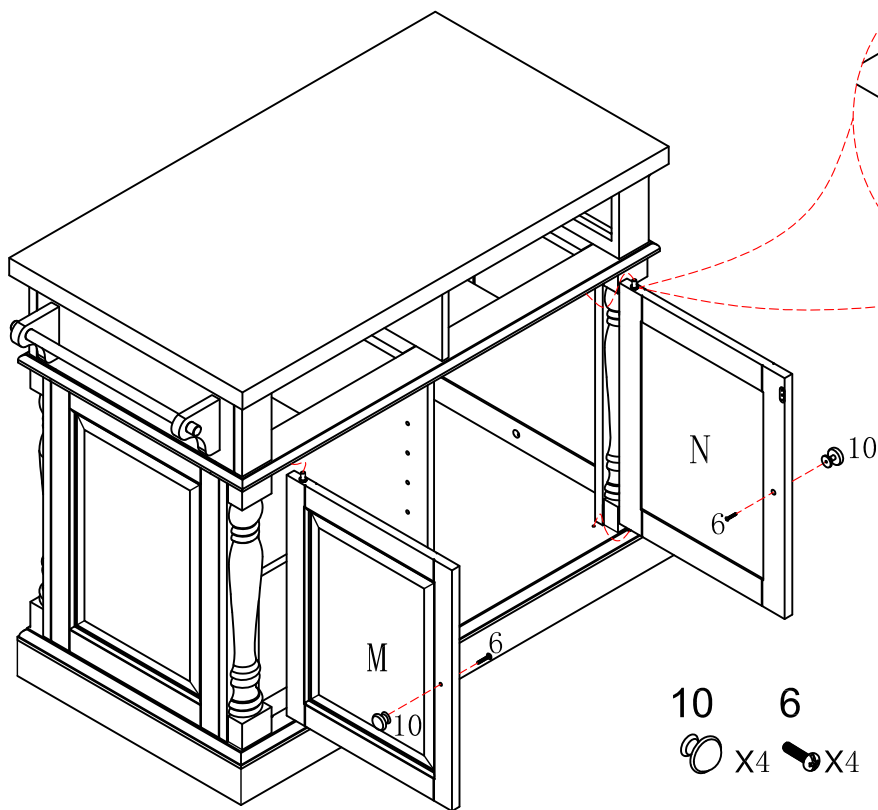
Attach Magnets (Part #12) to Lower Partition Panel (O) using Round Head Screws (Part #14) into pre-drilled holes as shown. Attach Towel Bar Panels (F) to Upper Side Frames (B) using Short Hex Socket Head Bolts (Part #9) as shown. Insert Towel Bars (G) into Towel Bar Panels (F).



Step 8

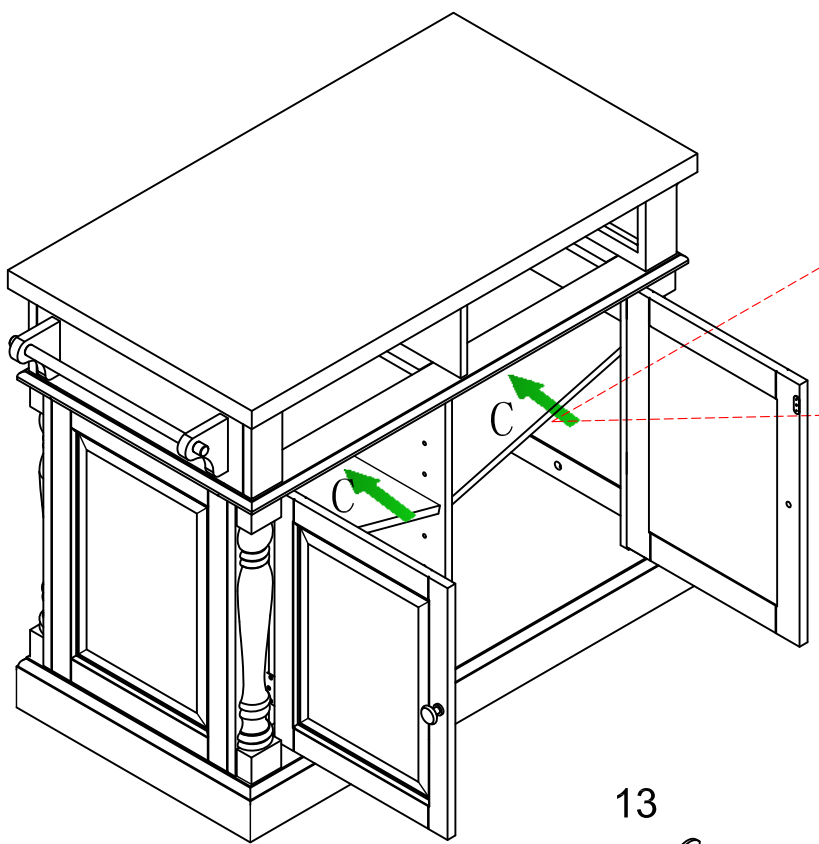
Attach Top (A) to cabinet using Cam Locks (Part #5) & Long Flat Head Screws (Part #17) as shown.





Step 9
 Attach Doors (M&N) to the cabinet by placing bottom pin hinge into the pre-drilled holes at the bottom & depressing the top spring loaded pin hinge to fit the doors into place.
 NOTE: Be sure that pin hinges have fully extended into the pre-drilled holes to secure the doors into place.

- 10 X4
- 6 X4

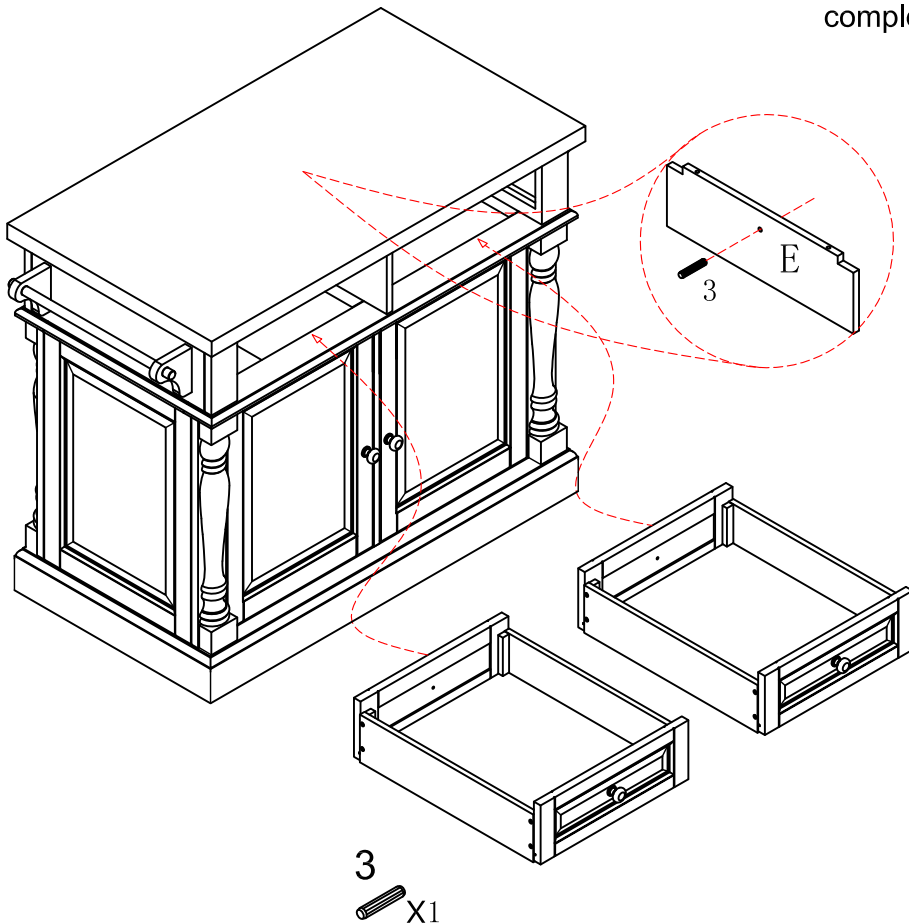


Step 10
 Insert the Shelf Holders (Part #13) at the desired height inside the cabinet. Insert the Adjustable Shelves (C) into the cabinet.

- 13 X8

Step 11

Insert the assembled drawers into the cabinet. Pull one drawer open enough to reach inside and insert the 60mm Wood Dowel (Part #3) into the pre-drilled hole in the Upper Partition Panel (E). NOTE: Wood Dowel (Part #3) will act as a “stop” to keep the drawers from coming out completely once it is inserted.



Congratulations! You are finished.