

# **INSTRUCTION MANUAL**

# ASSEMBLY INSTRUCTIONS

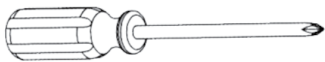
Carefully unpack all the components and verify that all the necessary parts are included as listed in the packaging.

Identify each component and refer to the provided assembly diagram or step-by-step instructions. Assemble the furniture in the order specified to ensure proper alignment and fit.

Use the provided tools or recommended tools for assembly. Do not use excessive force when tightening screws or bolts

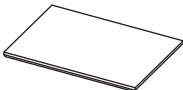


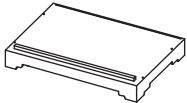

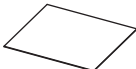



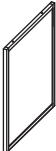

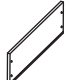

If any difficulties arise during assembly, consult the troubleshooting section or contact our customer support.

## Tools Required






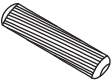









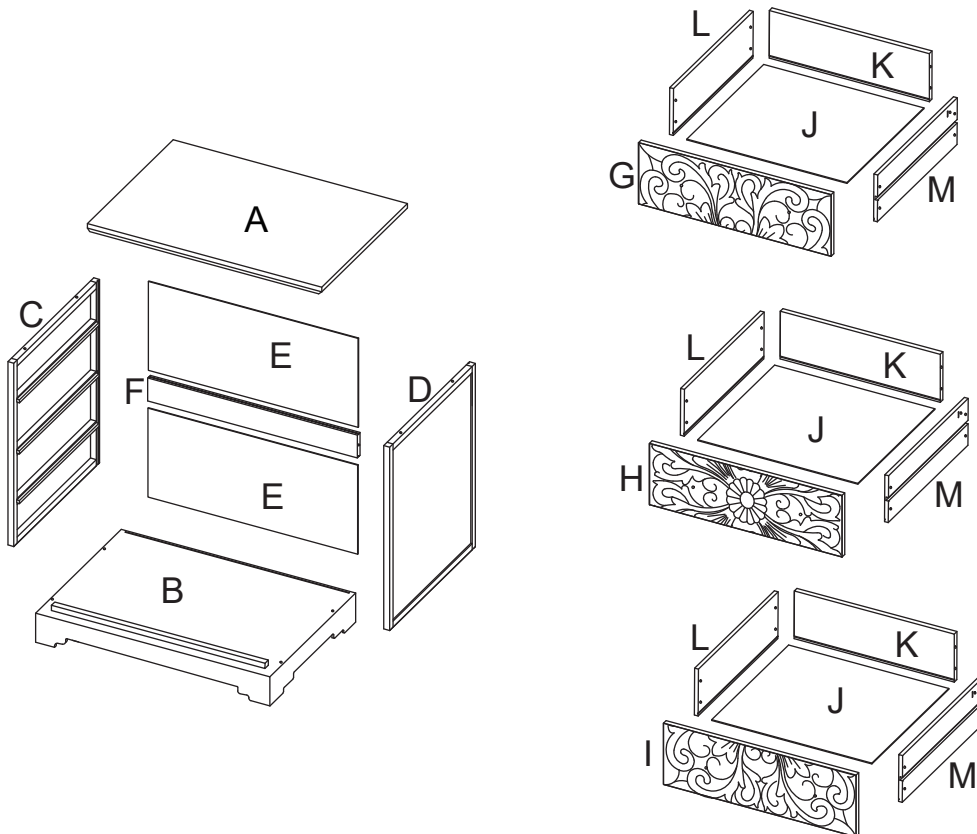
Wrench tool

## Board Parts List

NO.	PICTURE	QTY	NO.	PICTURE	QTY	NO.	PICTURE	QTY
A	 Top Panel	1	E	 Back Panel	2	I	 Bottom Drawer Panel	1
B	 Bottom Panel	1	F	 Rear Reinforcement Bar	1	J	 Drawer Bottom Panel	3
C	 Left Side Panel	1	G	 Top Drawer Panel	1	K	 Drawer Back Panel	3
D	 Right Side Panel	1	H	 Middle Drawer Panel	1	L	 Drawer Left Side Panel	3
						M	 Drawer Right Side Panel	3

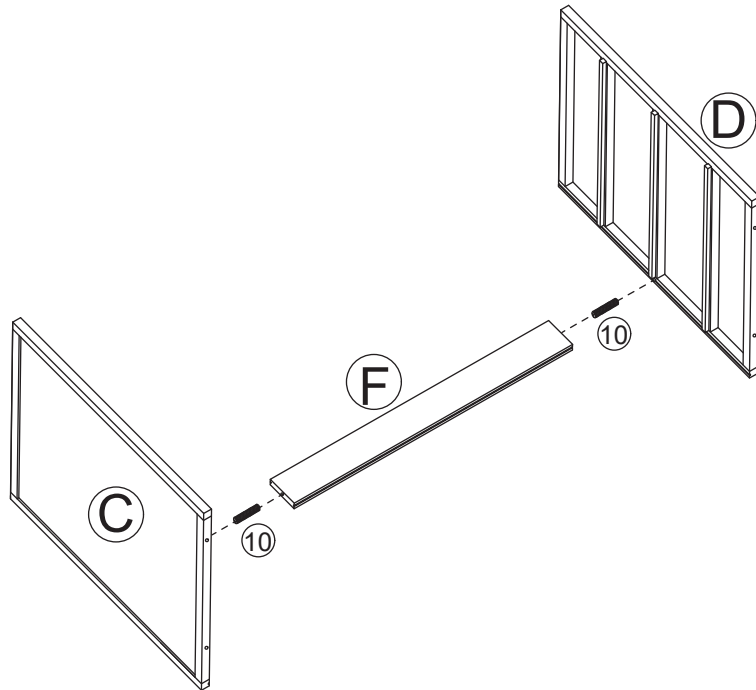
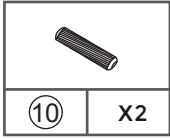
# Hardware Parts List

NO.	PICTURE	QTY	NO.	PICTURE	QTY	NO.	PICTURE	QTY
1	 Drawer Handle	6	5	 4x35mm Screw	24+1	9	 6x45mm Bolt	4+1
2	 4x25mm Bolt	2+1	6	 Drawer Stop Bar	6+1	10	 Wood Dowel	2
3	 Washer	8+1	7	 3x14mm Screw	6+1	11	 3x16mm Back Panel Fastener	8+1
4	 6x30mm Bolt	4+1	8	 Allen Wrench	1	12	 Anti-Tip Device	2
						13	 4x30mm Bolt	4+1



## ASSEMBLY INSTRUCTIONS

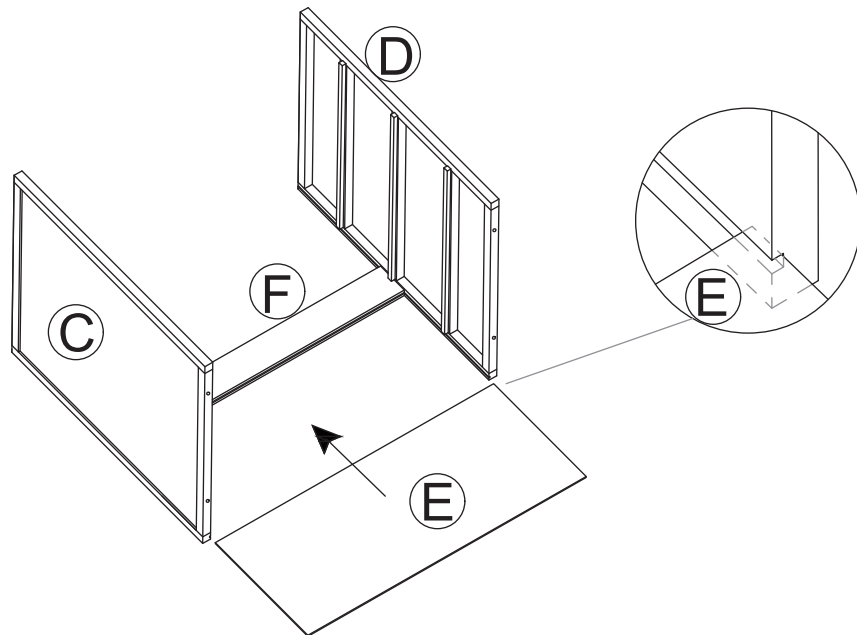
1



Attach the reinforcement bar (F) to the panel (C) and panel (D) with the wood dowel (10)




2

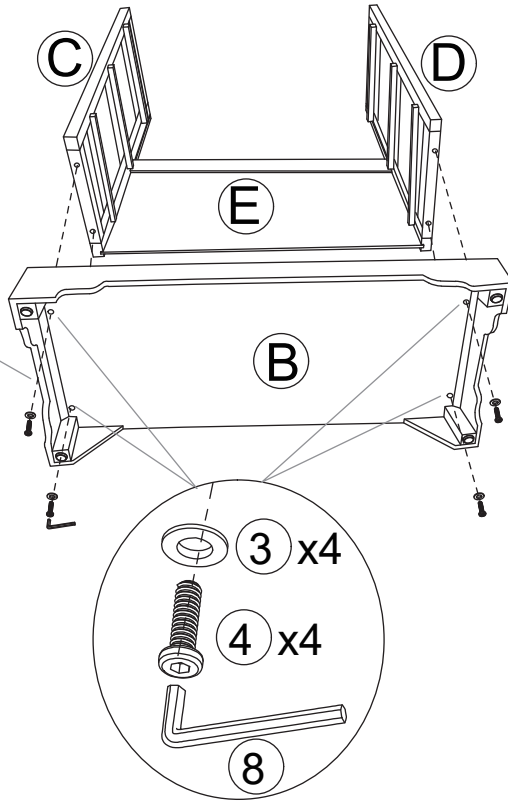
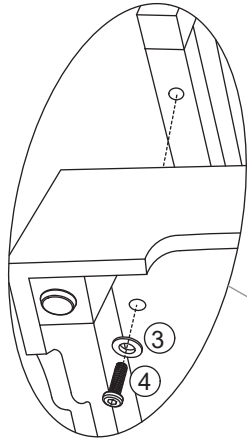
Make sure the reinforcement bar (F) is stably attached to the panel (C), (D) before inserting the back panel (E)



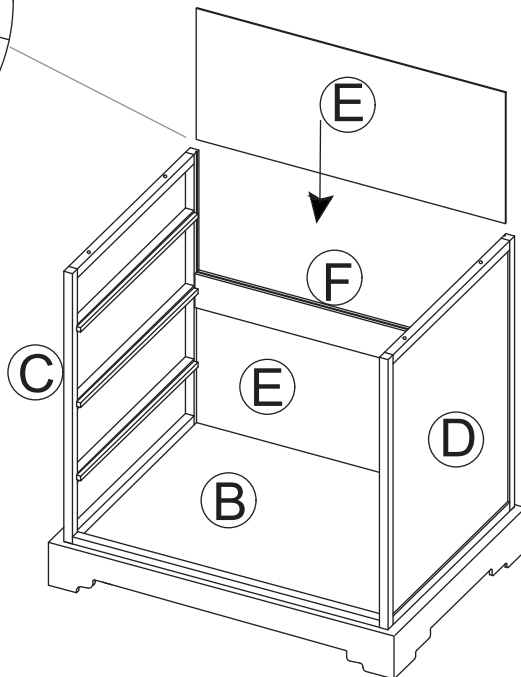
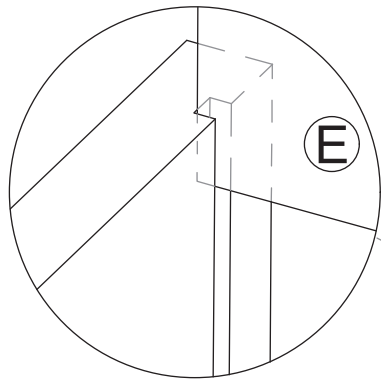
# ASSEMBLY INSTRUCTIONS

3

	
3	X4
	
6x30mm	
4	X4
	
8	X1






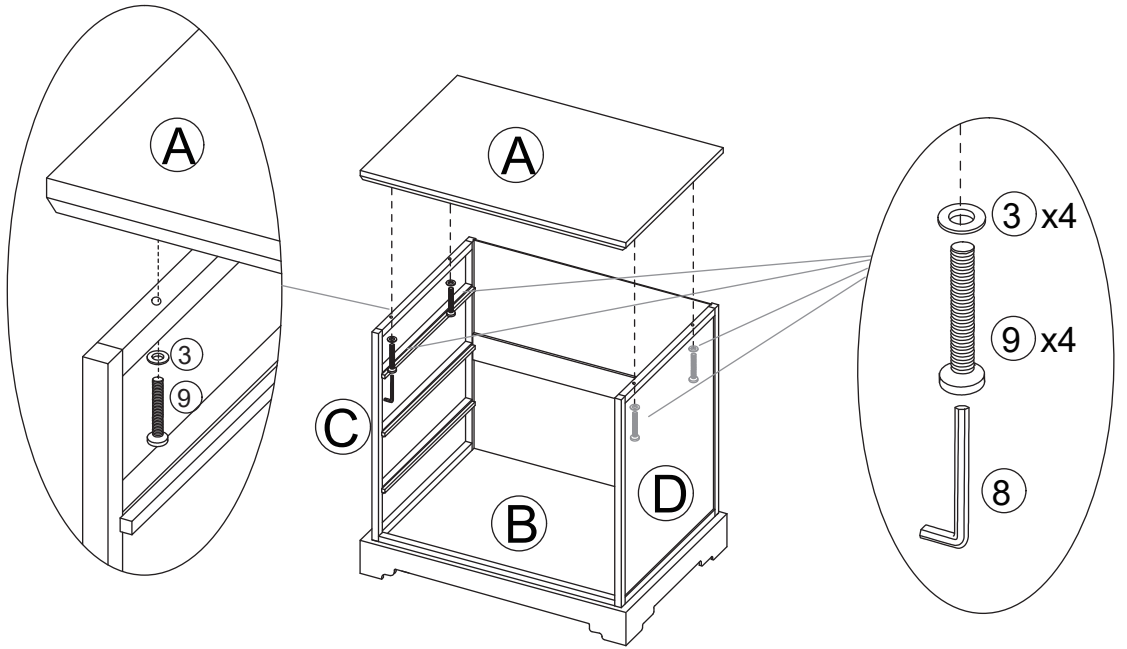
4




# ASSEMBLY INSTRUCTIONS

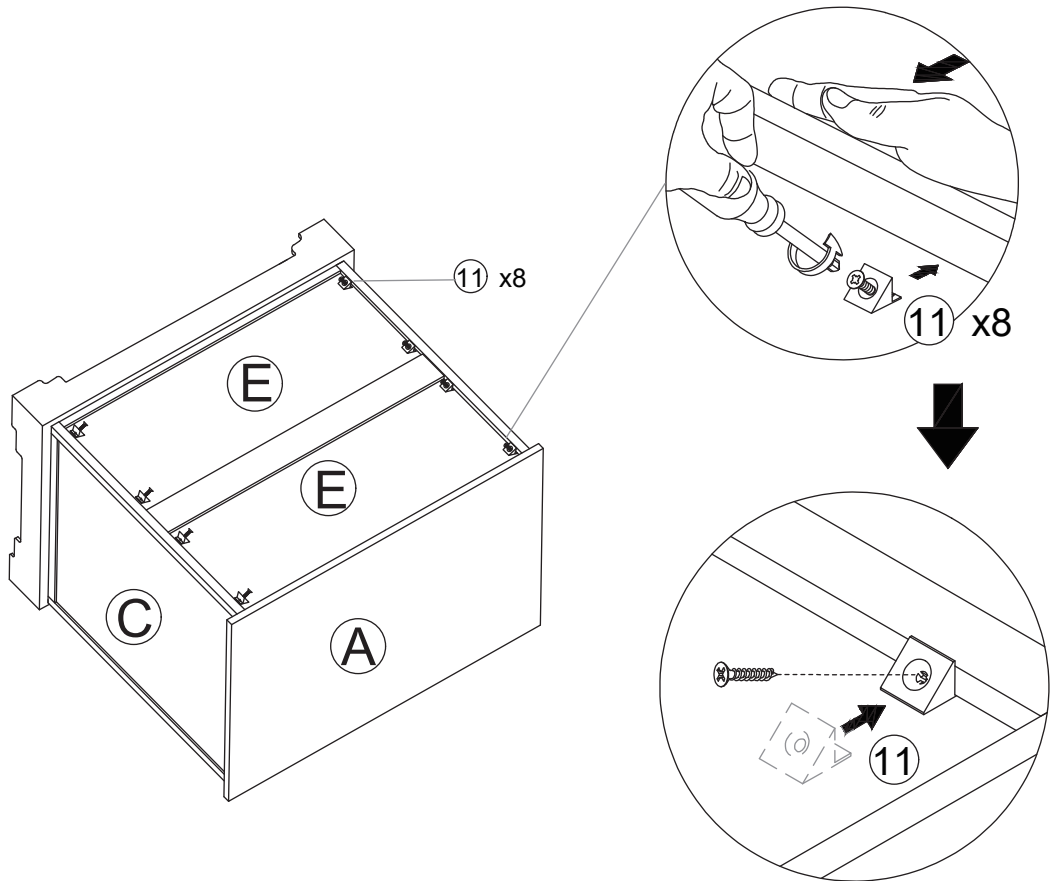
5

	
3	X4
	
8	X1
	
6x45mm	
9	X4



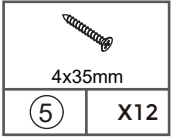
6

	
3x16mm	
11	X8

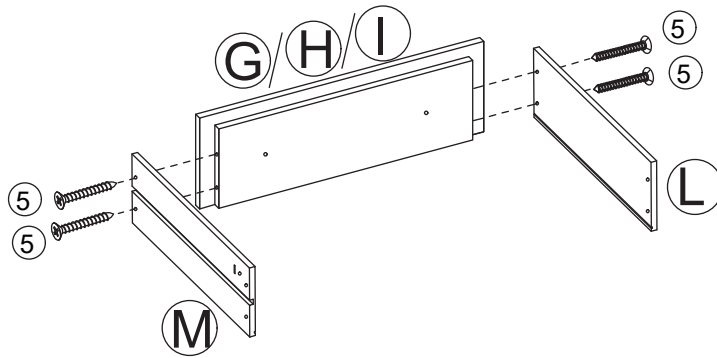


☰ ASSEMBLY INSTRUCTIONS

7

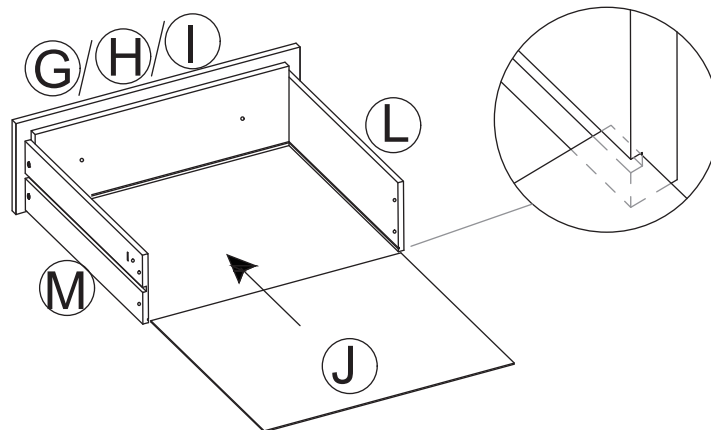


x3




8

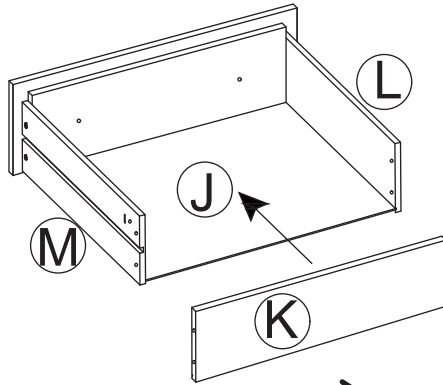
x3



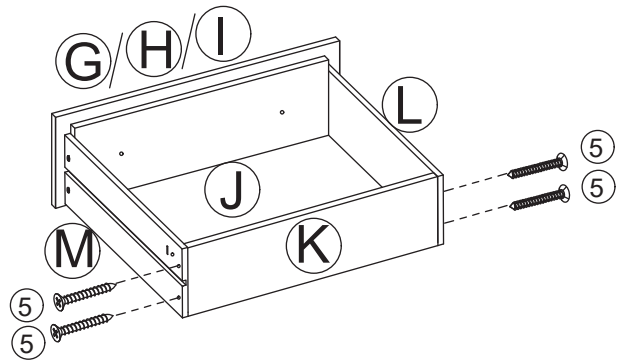
# ☰ ASSEMBLY INSTRUCTIONS

9


	
4x35mm	
⑤	X12




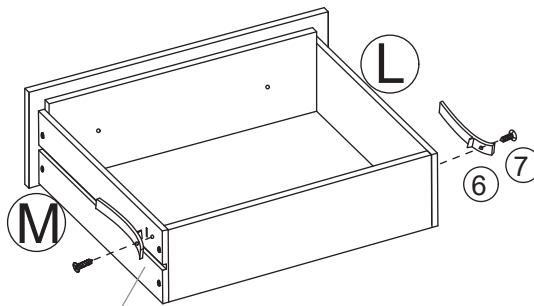
x3



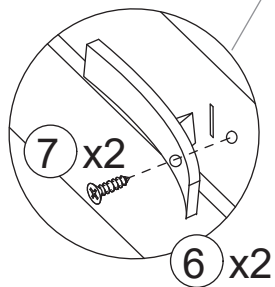
10

	
⑥	X6

	
4x14mm	
⑦	X6




x3



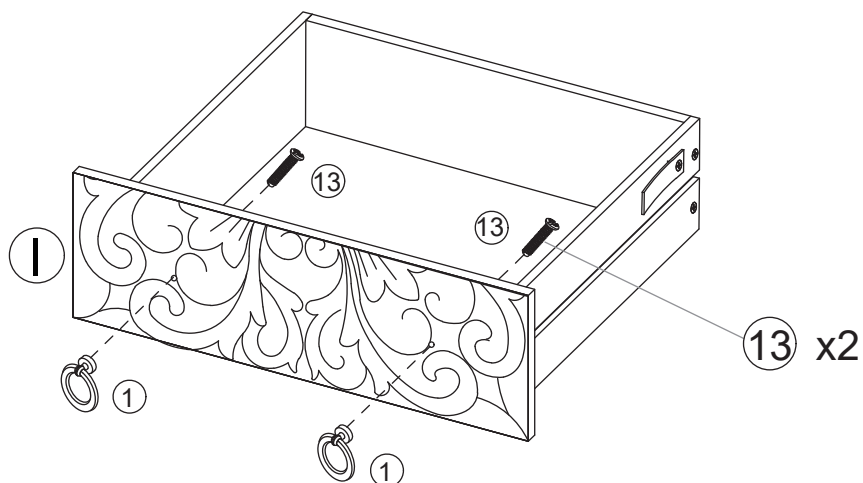
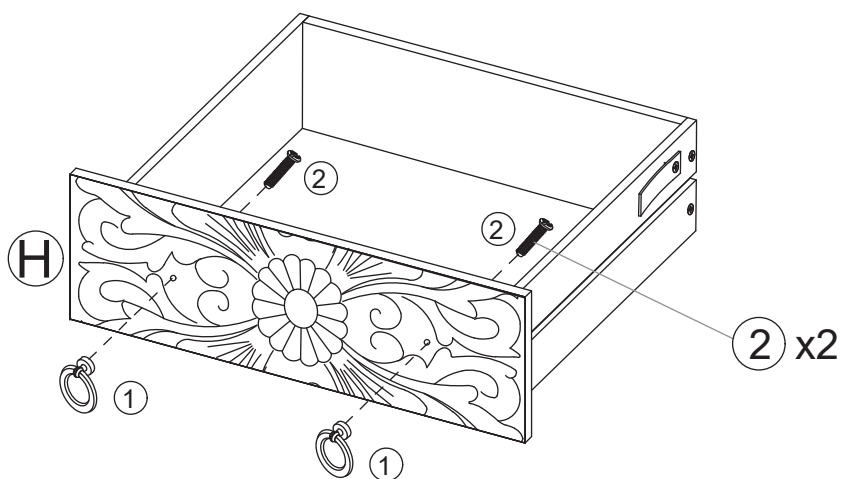
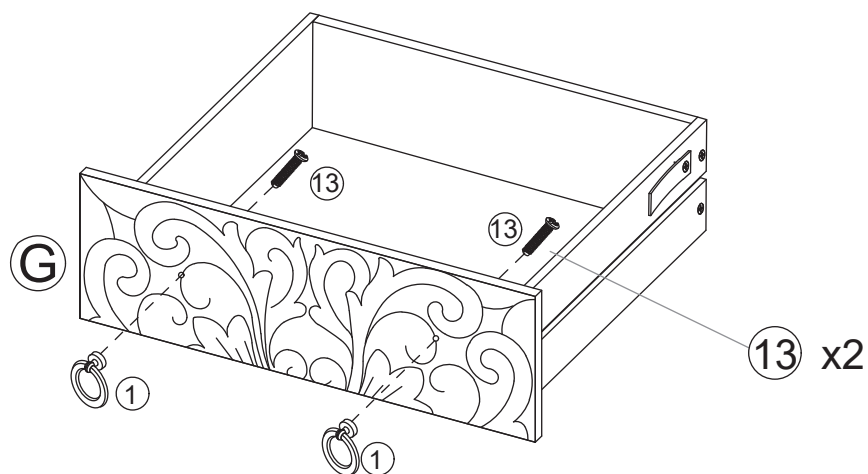
# ASSEMBLY INSTRUCTIONS

11

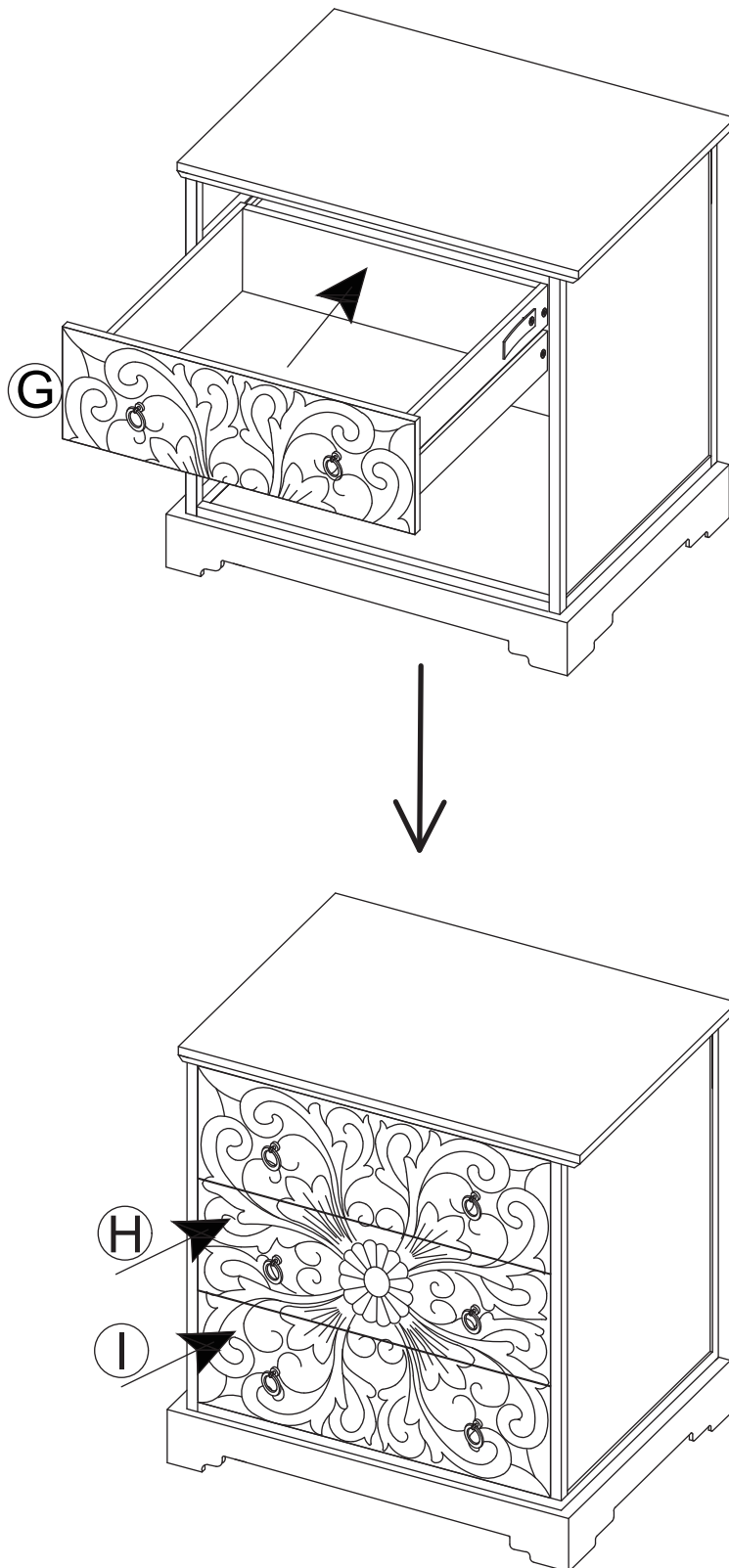
	
①	X6

	
4x25mm	
②	X2

	
4x30mm	
⑬	X4

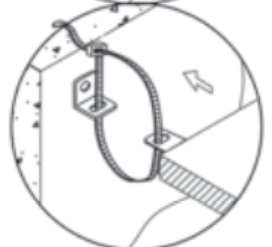
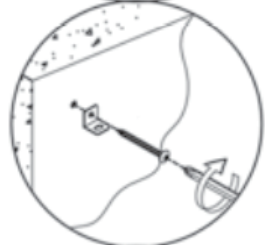
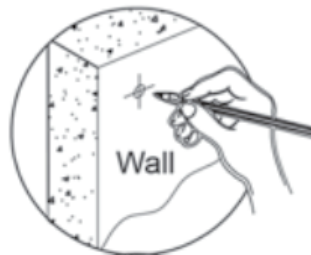
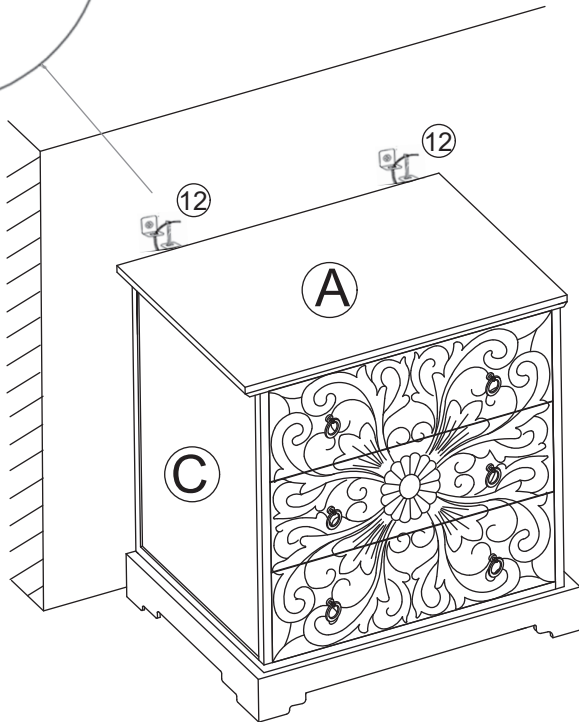
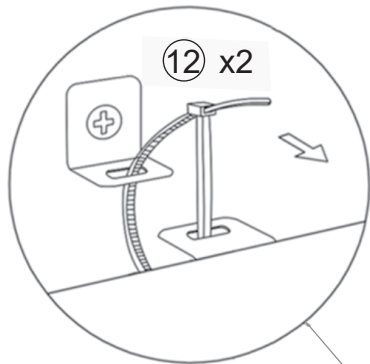
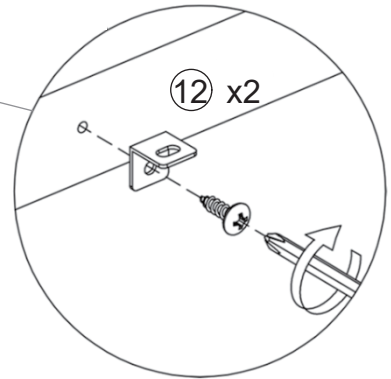
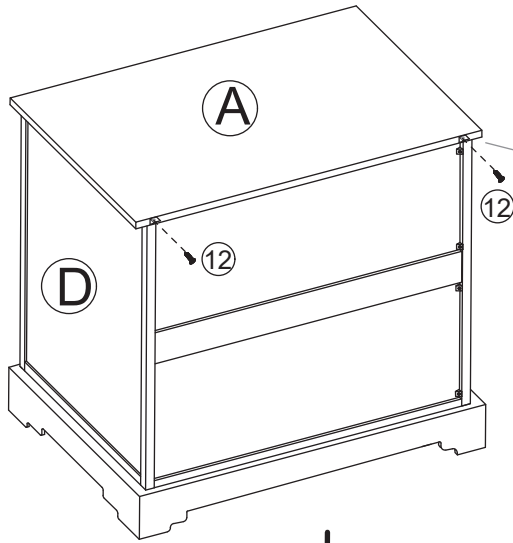
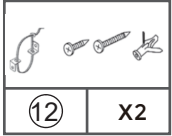


12



# ASSEMBLY INSTRUCTIONS

13



## WARNING



Children have died from furniture tip over. To reduce the risk of furniture tipover:

- ALWAYS install tipover restraint provided.
- For use with televisions weighing 200 lbs or fewer. Use with heavier televisions may result in instability causing tip-over resulting in death or serious injury. NEVER use with CRT televisions
- NEVER allow children to stand, climb or hang on drawers, doors, or shelves.
- NEVER open more than one drawer at a time.
- Place heaviest items in the lowest drawers.
- Do not defeat or remove the drawer interlock system.

This is a permanent label. Do not remove!

## MAINTENANCE AND CARE

Clean regularly using a soft brush or vacuum with a brush attachment. Avoid harsh chemicals or abrasive cleaners.

Wash with a hose or pressure washer on a low-pressure setting for heavy soiling. Rinse thoroughly afterward.

Ensure proper drying after cleaning or exposure to rain to prevent mold or mildew growth.

Protect from extreme weather by moving furniture to a covered area or using furniture covers or tarps.

Avoid dragging or placing heavy objects on the furniture to prevent damage.

Apply UV protection spray or furniture wax to prevent fading and damage from the sun.

Regularly inspect for wear, loose strands, or damage and address issues promptly.

## WARRANTY INFORMATION

**Warranty Coverage:** Our warranty provides protection against manufacturing defects in materials and workmanship for a specified period from the date of purchase, as outlined in the accompanying warranty documentation.

**Exclusions:** The warranty does not cover damages resulting from misuse, negligence, accidents, normal wear and tear, unauthorized repairs or modifications, improper assembly, or failure to adhere to the care and maintenance guidelines provided.

### Warranty Claim Process

**To initiate a return on Amazon, please follow these steps:**

- 1 Log into your Amazon account and go to the "Your Orders" section.
- 2 Locate the order containing the item you wish to return.
- 3 Contact our customer service for assistance in obtaining a prepaid return label.
- 4 Once you receive the return label, securely affix it to the package.
- 5 You can then choose to drop off the package at a designated carrier location or arrange for a pickup.
- 6 After we receive and inspect the returned product, we will initiate the refund process.
- 7 The refund will be credited back to the original payment method used during the purchase.
- 8 Typically, refunds are processed within 3-5 business days.