

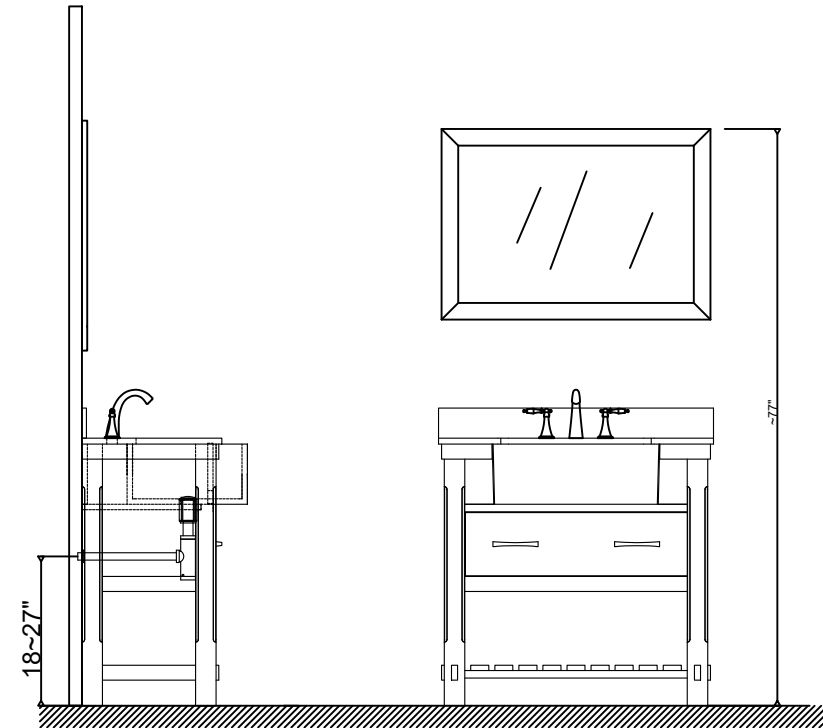
Prior to installation please check received items against the Packing List Please report any missing items

Call: 888-257-3857

Email: service@casainc.com.

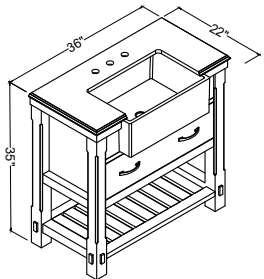
Protect all surfaces from sharp objects, high heat sources, direct prolonged sunlight and chemical hazards .

Professional installation recommended !

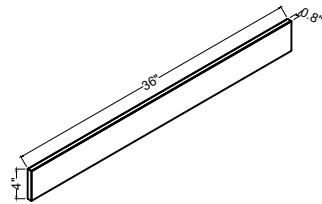


PACKING LIST

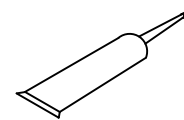
Main cabinet



Backsplash



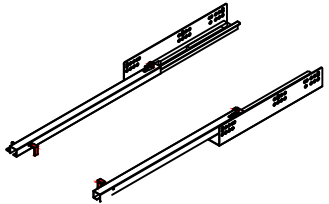
Touch Up paint



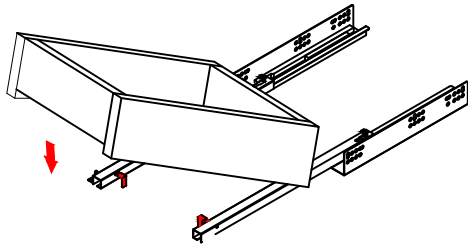
Adjust Slider For Drawer

INSTALL

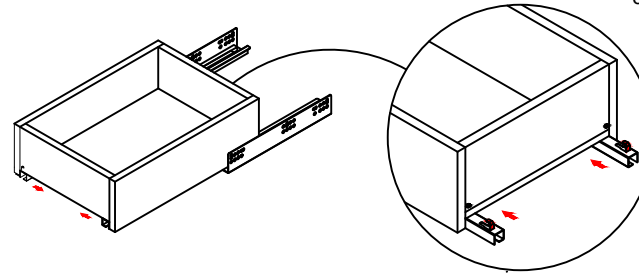
STEP 1



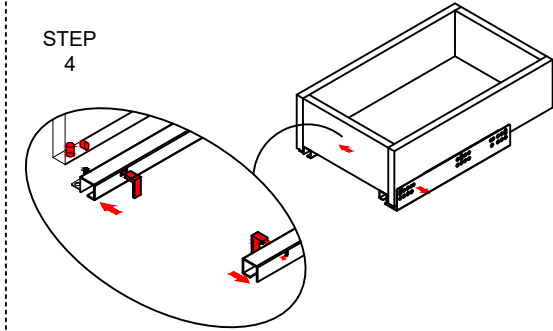
STEP 2



STEP 3

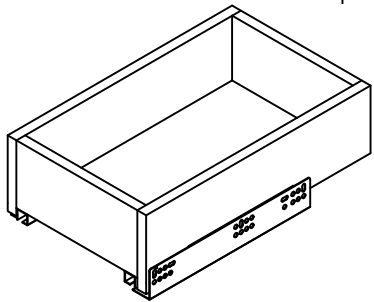


STEP 4

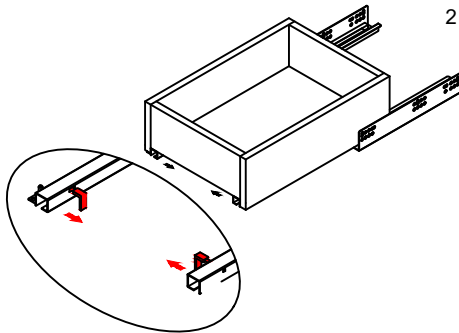


Remove

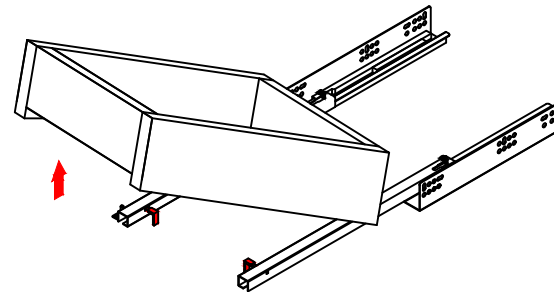
STEP 1



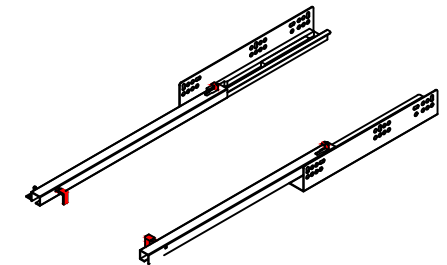
STEP 2



STEP 3

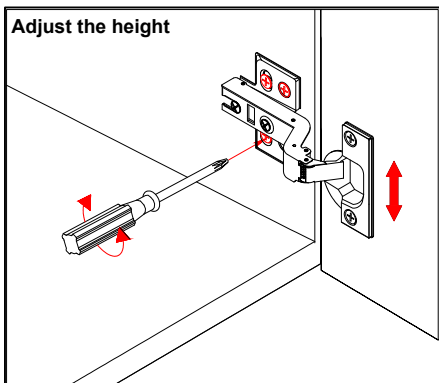


STEP 4

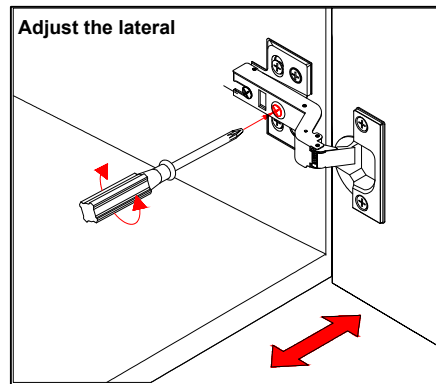


INSTALLATION AND ADJUSTION OF HINGE

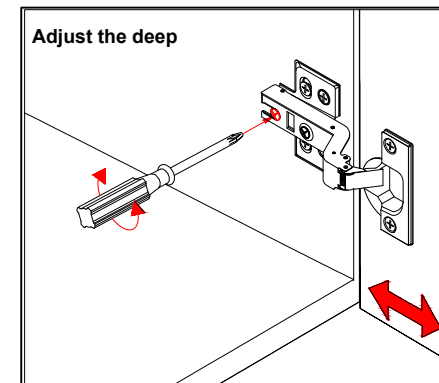
Adjust the height



Adjust the lateral



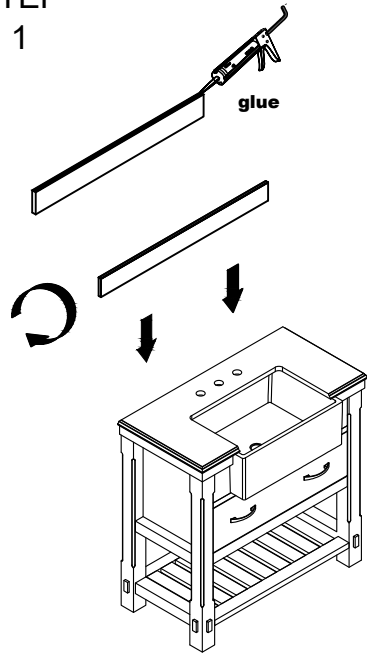
Adjust the deep



Install Backsplash

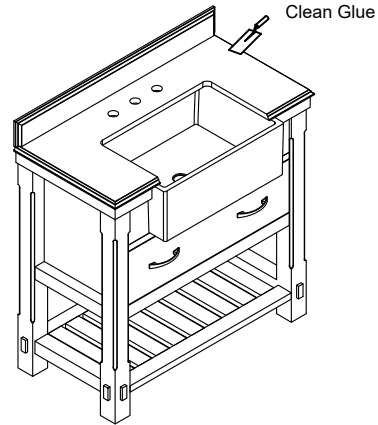
STEP

1



STEP

2



STEP

3

