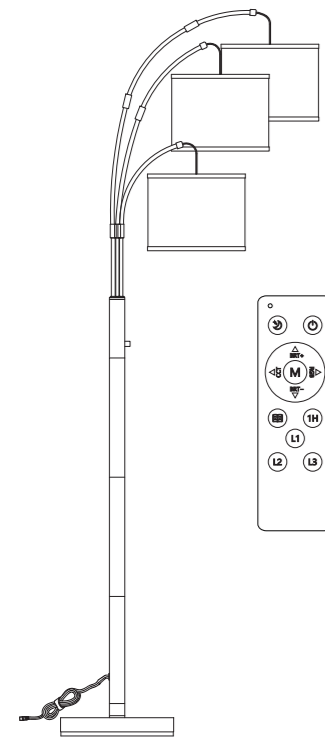


Floor Lamp

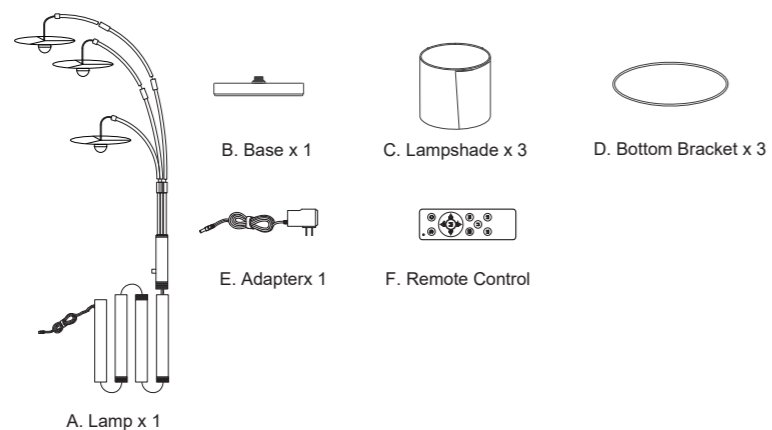
User Manual



Product Parameter

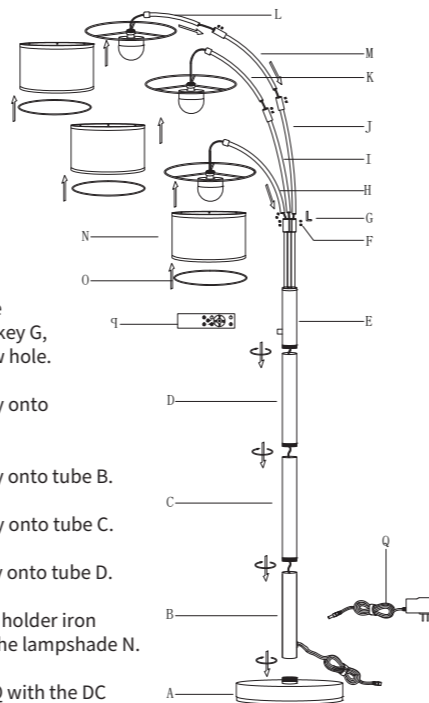
Product Name	Floor Lamp
Product Number	STR-FL-0191
Input Voltage	AC110-120V 60HZ
Power	24W
Color temperature	RGBCW
Switch Mode	Rotary & Remote Control
Lamp Height	78.7inches
Cable Length	71 inches

Package List

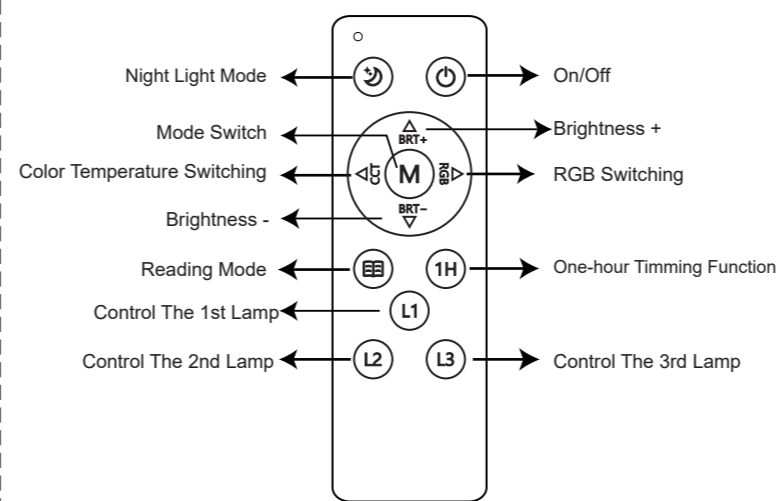


Assembling

1. Insert the thin iron tubes H, I, and J into their corresponding connectors. Using the hex key G, tighten the set screws F into their respective screw holes.
2. Insert the thin iron tubes M and K into the connectors of tubes J and K, respectively. Using the hex key G, tighten the set screws F into their respective screw holes.
3. Insert the thin iron tube L into the connector of tube M. Using the hex key G, tighten the set screw F into its screw hole.
4. Screw the thick iron tube B tightly onto the base A.
5. Screw the thick iron tube C tightly onto tube B.
6. Screw the thick iron tube D tightly onto tube C.
7. Screw the thick iron tube E tightly onto tube D.
8. Place lampshade N into the lamp holder iron ring, then attach the iron ring O to the lampshade N.
9. Mate the DC plug of the adapter Q with the DC plug of the lamp pole's wiring. Then plug the adapter into a power outlet. Assembly is now complete. Turn on the rotary switch, and you can use the remote control P to operate your light.



Product Function Description



Matching

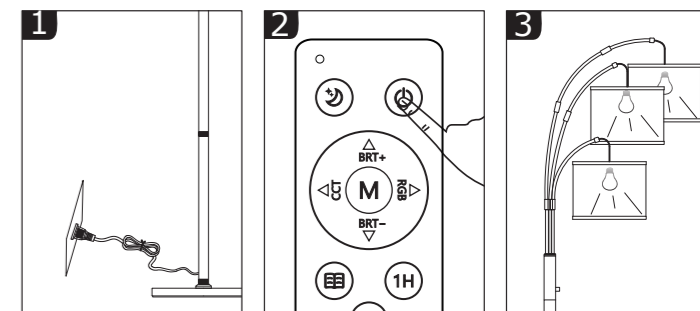
Make sure the remote control matches well with the lamp :
 Plug the adapter to the power supply and use the remote to control the lamp. Usually the remote controls the lamp perfectly.
 If the remote control doesn't work for the lamp, please re-match them.

Note: Batteries are not included in the package

Button	Function
Night Light	Night light mode (2700K 10% brightness)
On/Off	On/off (Controlling 3 Lights), Memory Function Required
Mode Switch	Switch Dynamic Mode, Preset 8 Dynamic Modes Including Gradient, Flashing, Etc.
Color Temperature Swit	Press To Adjust In 4 Gears: 2700/4000/5000/6500k
RGB Switch	Press To Change Color: Red-Blue-Green-Yellow-Purple -Light Blue
Brightness +	In CW state: brightness increase, short press to Adjust In 4 Levels: 10%-30%-70%-100% Long press to steplessly increase brightness, With The Light Flashing Once As A Prompt To Indicate The Maximum Brightness. In MODE state: Short press 10 gears to increase speed. Long press to steplessly increase speed, The Light Flashing Once As A Prompt To Indicate. The Maximum speed.
Brightness -	In CW state: brightness decrease, short press to Adjust In 4 Levels: 100%-70%-30%-10% Long press to steplessly decrease brightness, With The Light Flashing Once As A Prompt To Indicate The Minimum Brightness. In MODE state: Short press 10 gears to decrease speed. Long press to steplessly decrease speed, The Light Flashing Once As A Prompt To Indicate. The Minimum speed.
Reading Mode	Preset 4000k Brightness 100% For Reading.
One-Hour Timming Function	One Hour Timer Function, With The Light Flashing Once As A Prompt To Indicate Successful Timing.
Control The 1st Lamp	Switch On/off The First Light
Control The 2nd Lamp	Switch On/off The Second Light
Control The 3rd Lamp	Switch On/off The Third Light

Matching Steps

1. Disconnect the power supply for more than 10 seconds.
2. Connect the power supply. Turn on the Rotary switch, the light is on.
3. Press the power button on the remote and hold on.
4. When the light flashes, it matches successfully.



Warm Tips

1. If the remote control can't control the lamp, please try to match the codes. If you still can't control the lamp after the code is matched, please contact us as soon as possible.
2. The product needs to be assembled before it can be used, please refer to the use manual for assembly and operation.
3. Please make sure that the voltage is 110V-120V.
4. Unplug before cleaning.
5. Please stay away from fire and water.

Quality Assurance

All of our products provide 1-year warranty. If you are not 100% satisfied it, please contact us.