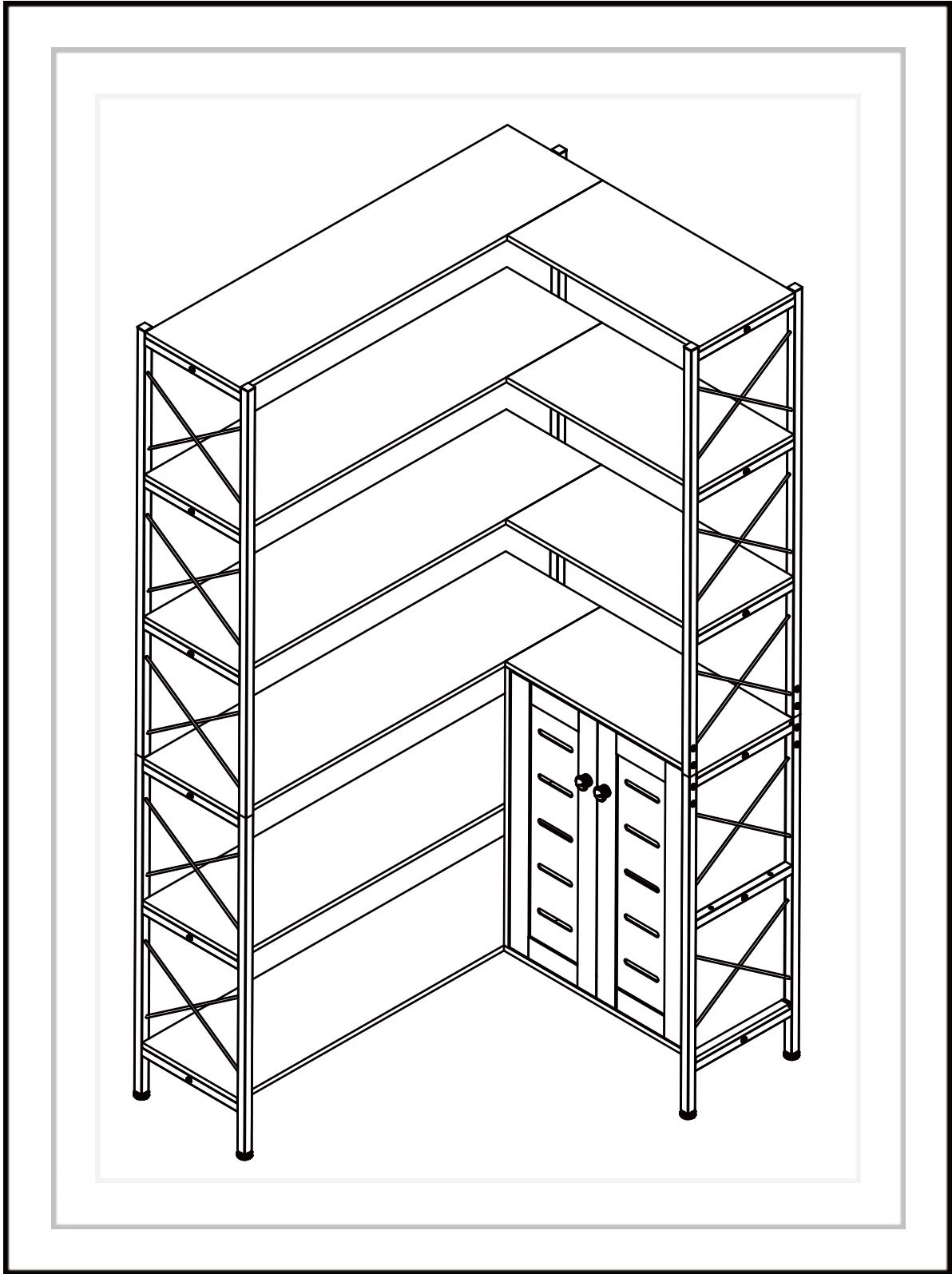
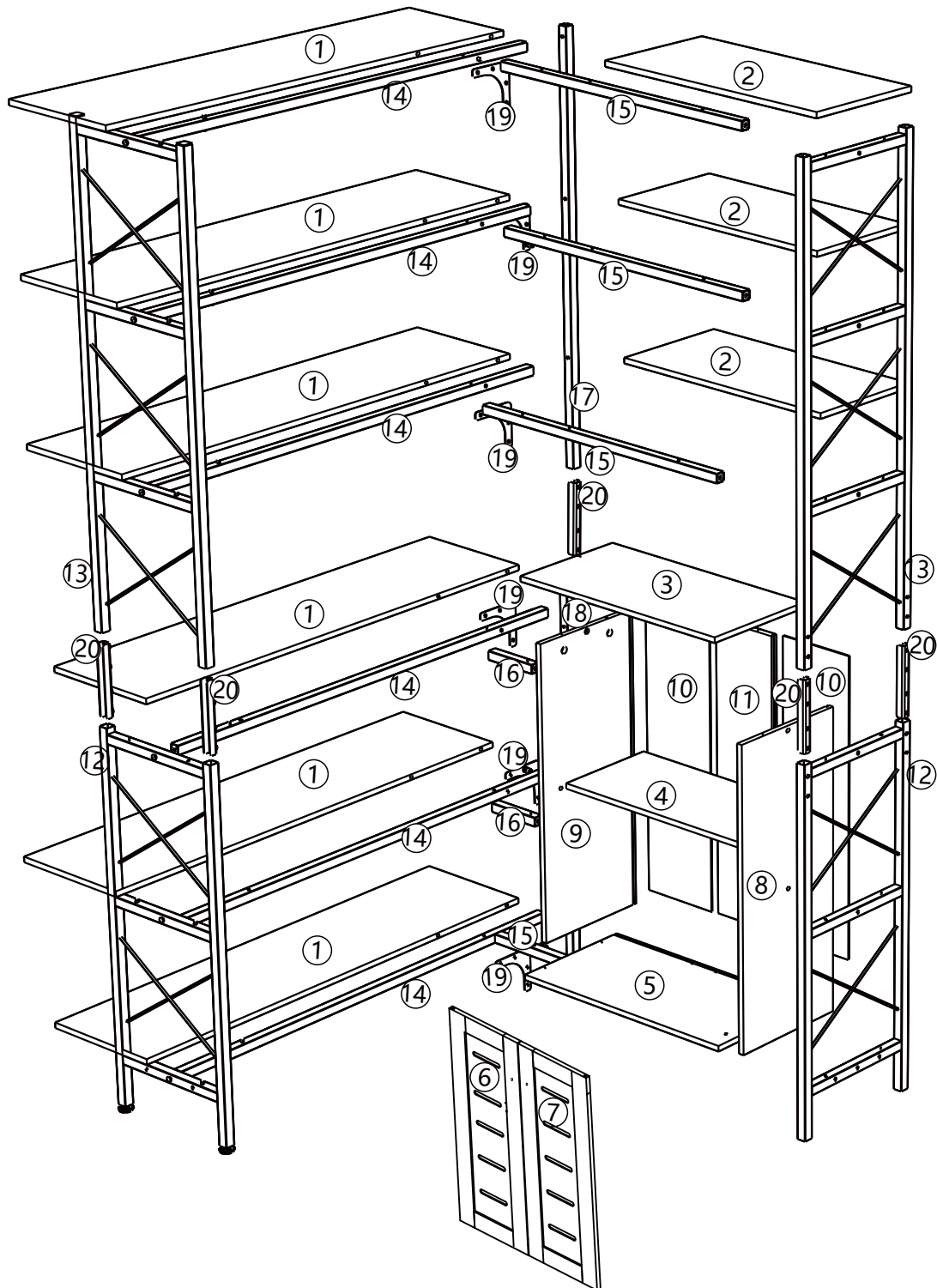


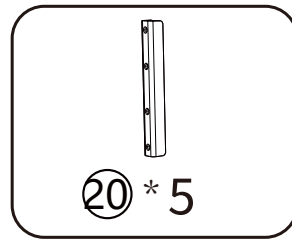
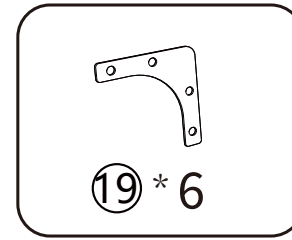
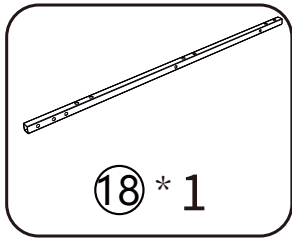
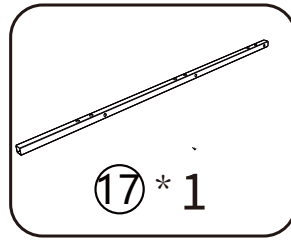
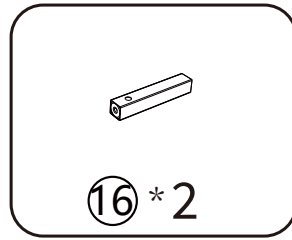
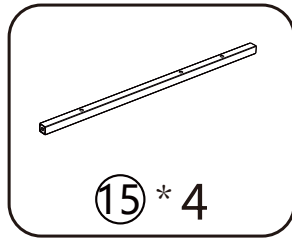
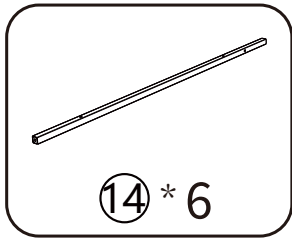
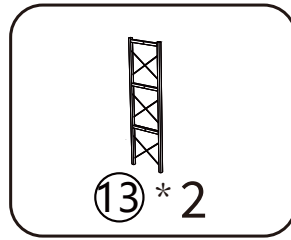
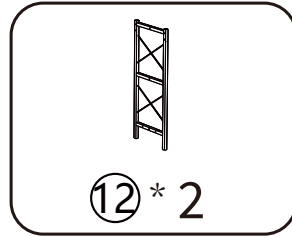
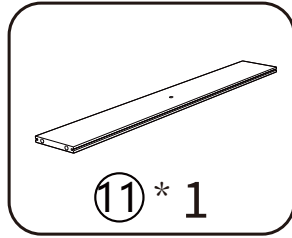
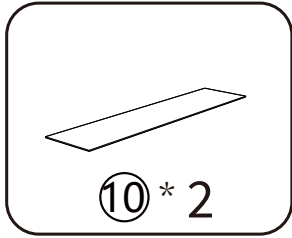
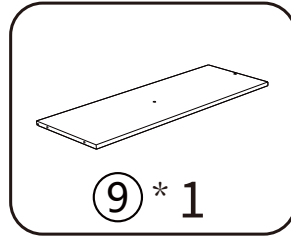
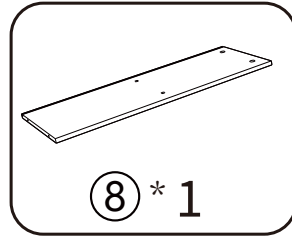
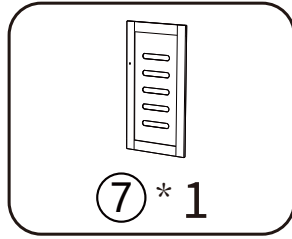
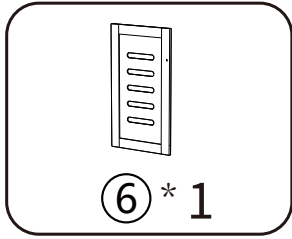
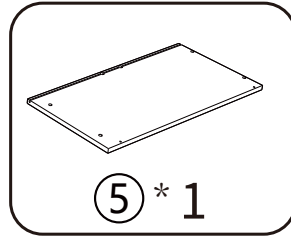
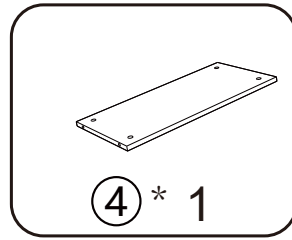
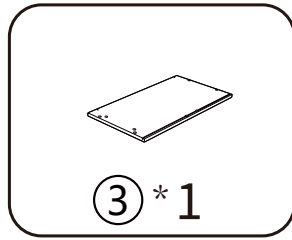
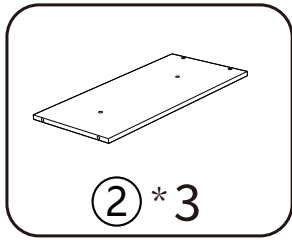
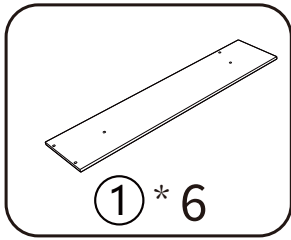
ASSEMBLY

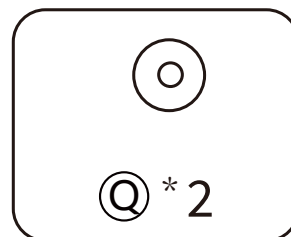
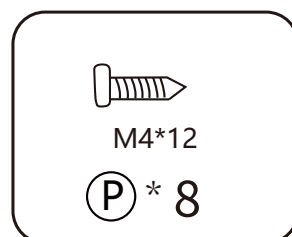
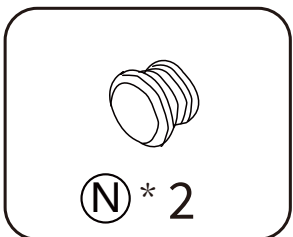
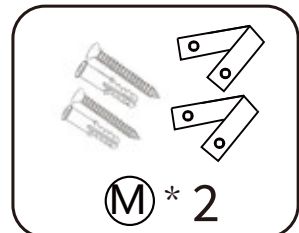
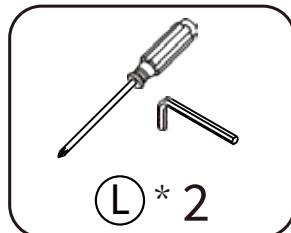
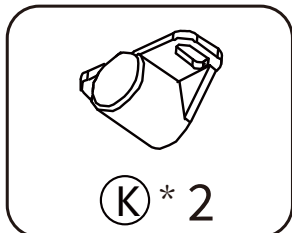
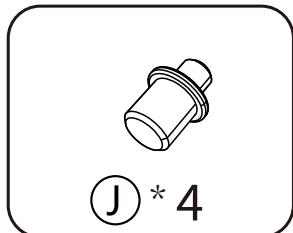
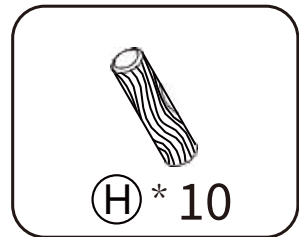
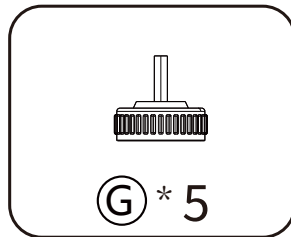
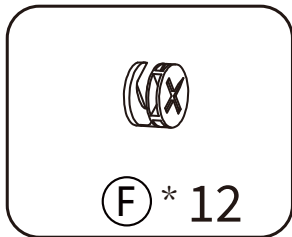
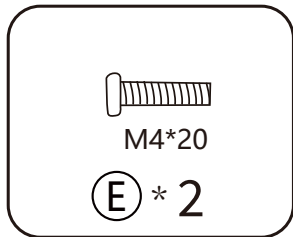
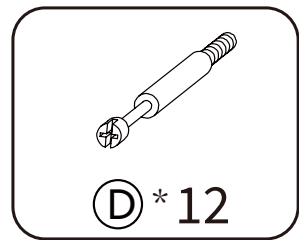
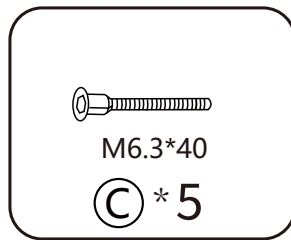
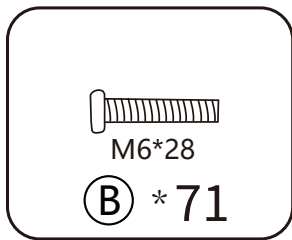
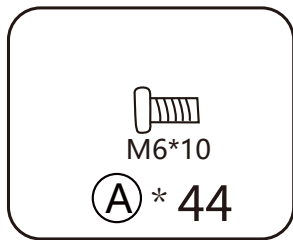
Instructions



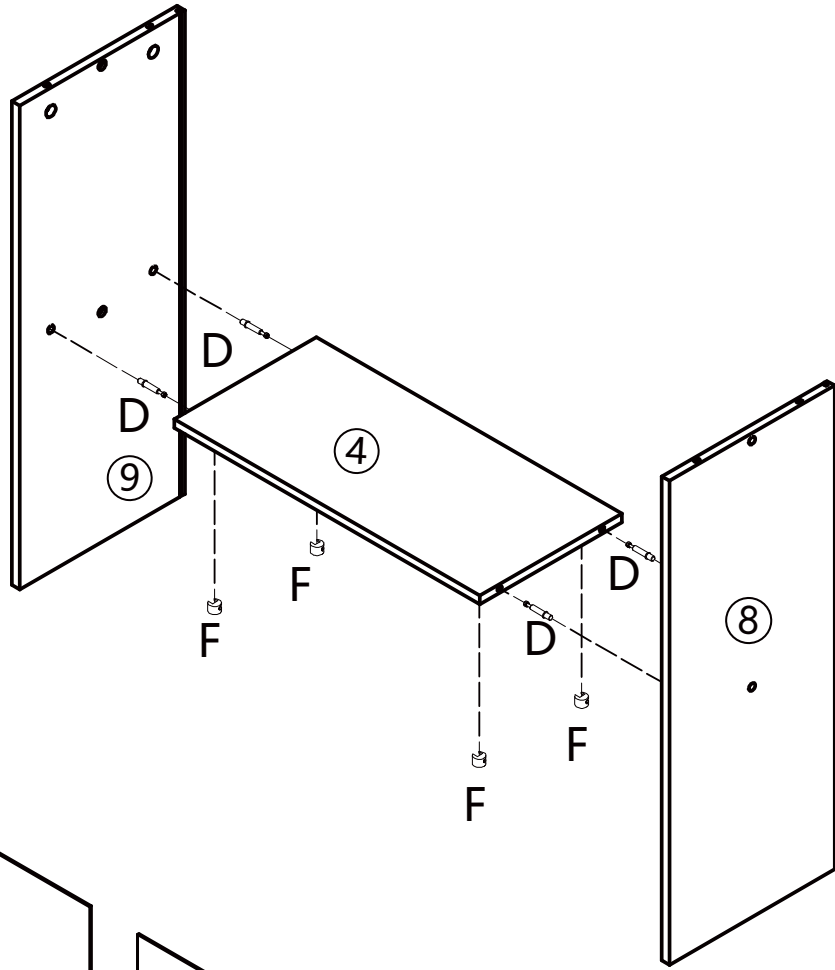
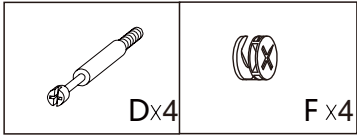
EXPLODED DRAWING



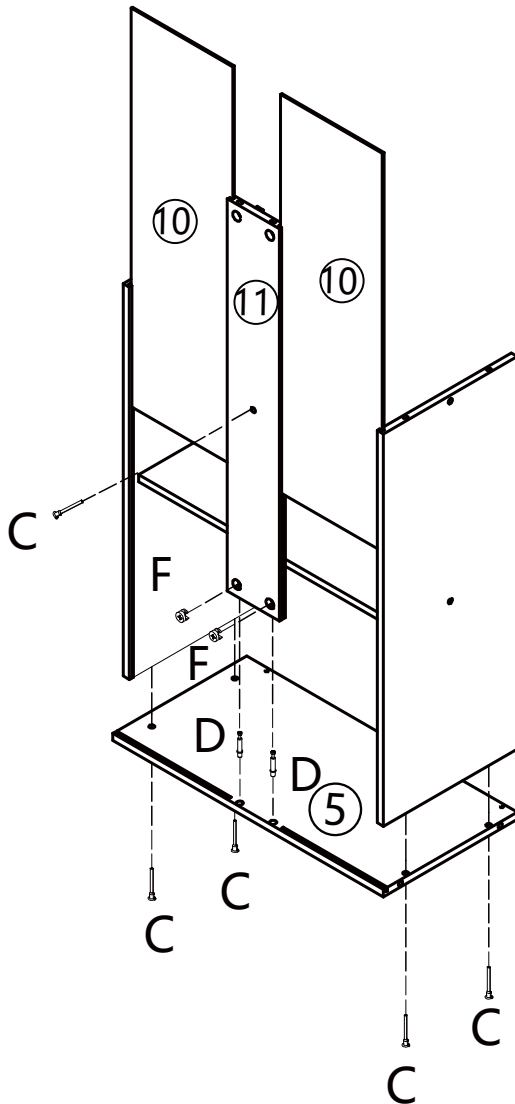
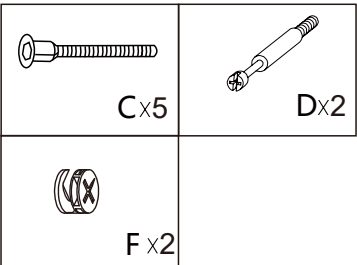






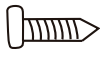
01


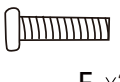


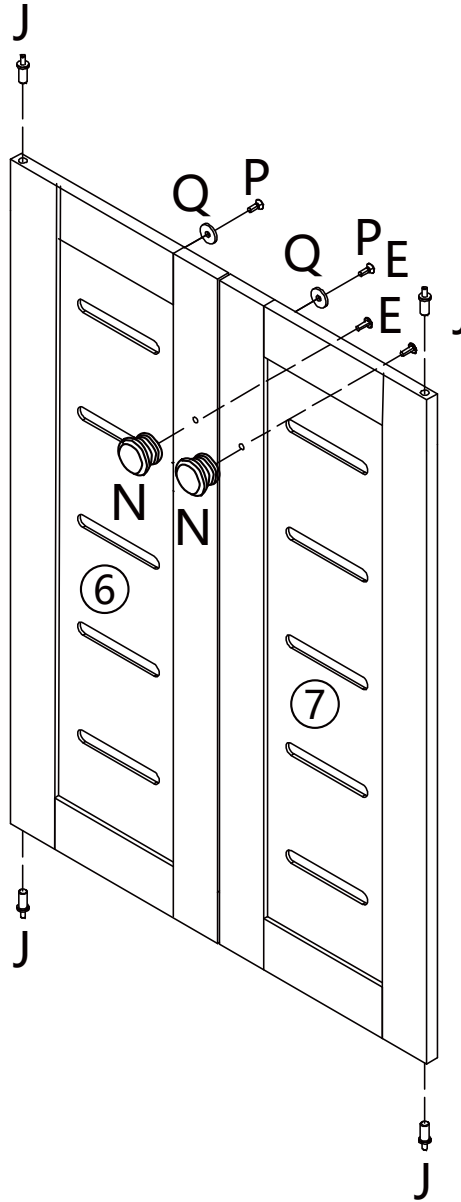
02





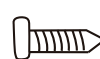
03

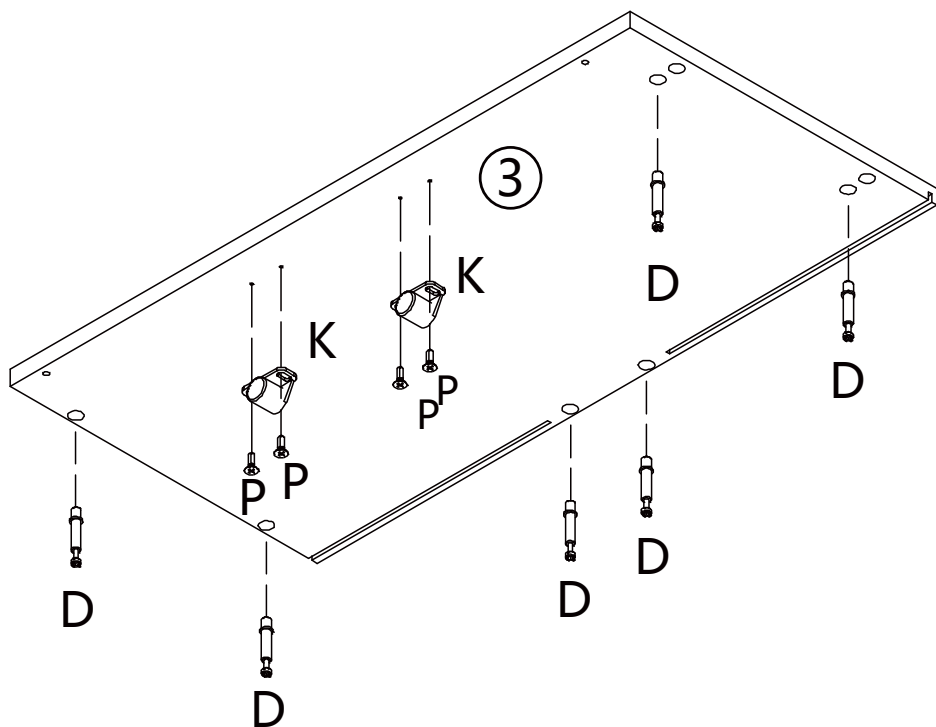
 J x4	 N x2	 P x2
------------------------------------------------------------------------------------------	-------------------------------------------------------------------------------------------	-------------------------------------------------------------------------------------------

 Q x2	 E x2
------------------------------------------------------------------------------------------	-------------------------------------------------------------------------------------------

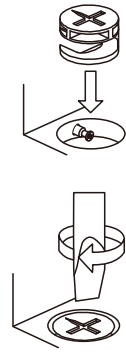
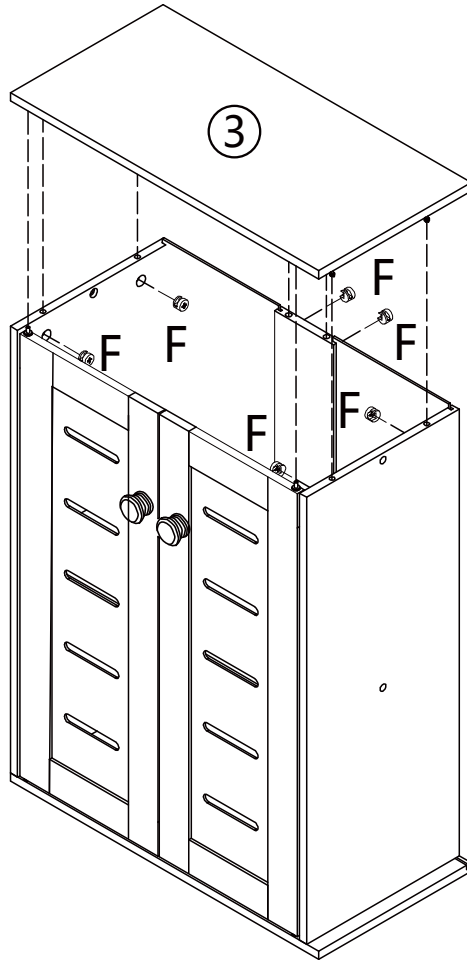


04

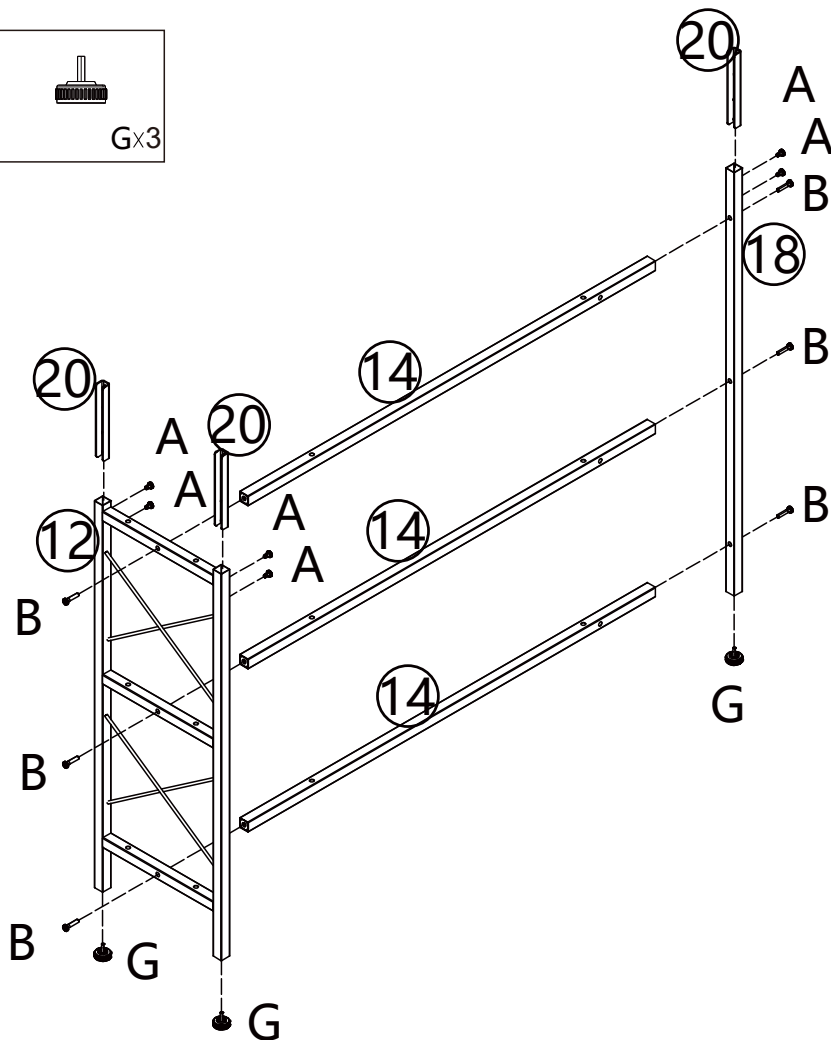
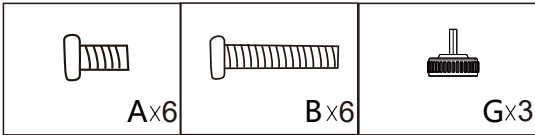
 D x6	 K x2	 P x4
--------------------------------------------------------------------------------------------	---------------------------------------------------------------------------------------------	---------------------------------------------------------------------------------------------



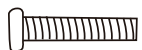
05



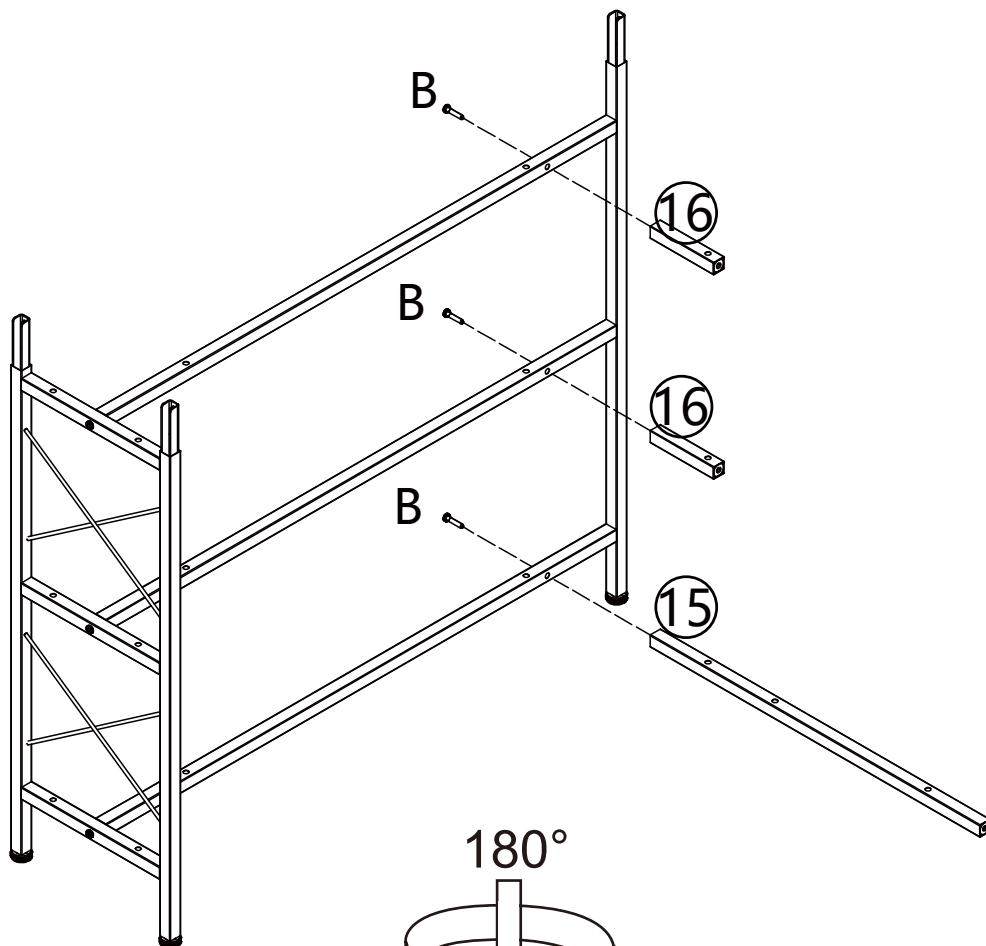
06



07



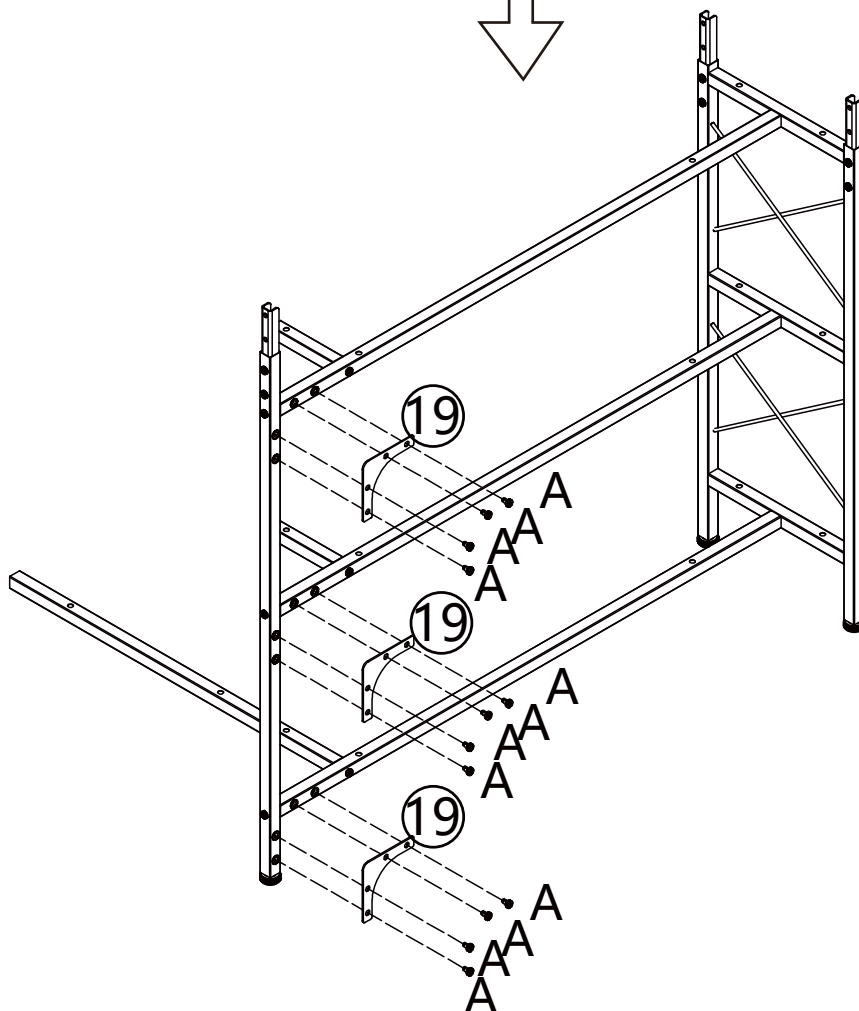
Bx3



08



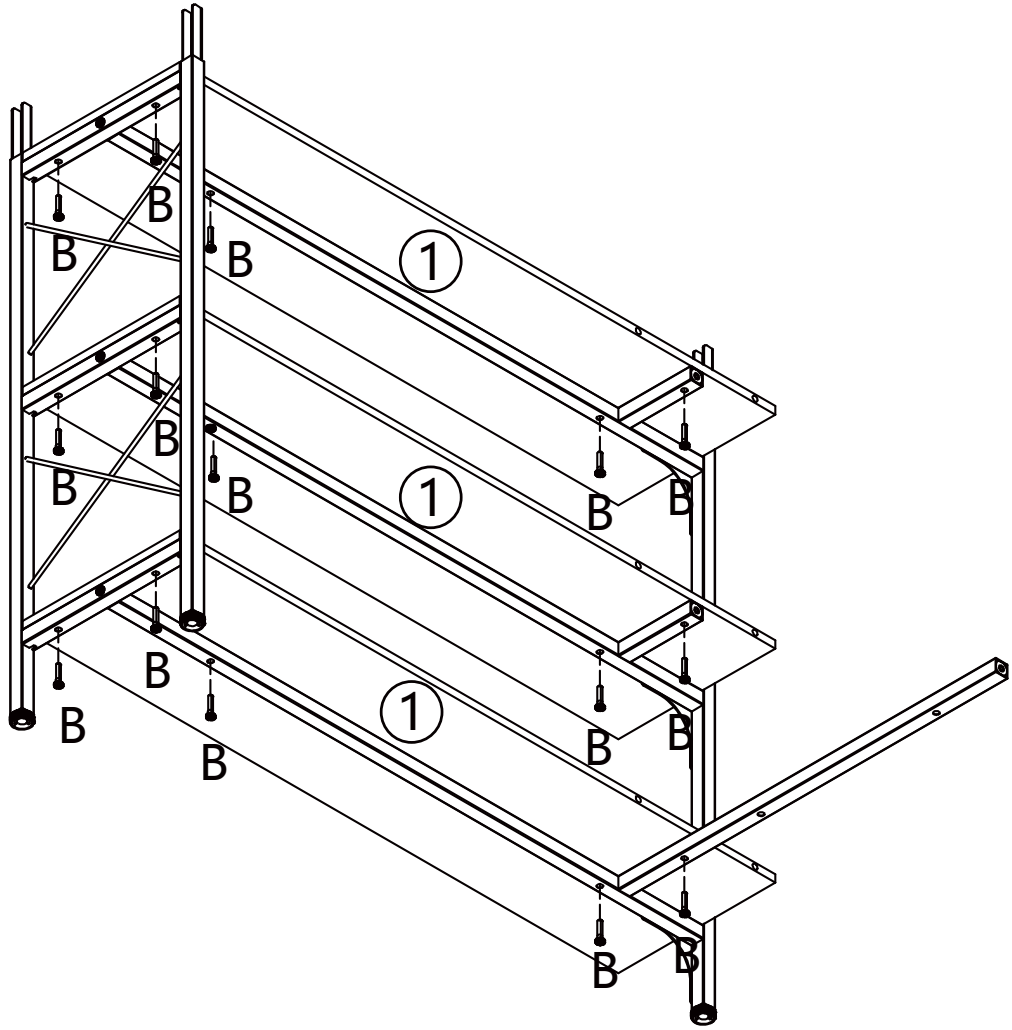
Ax12



09



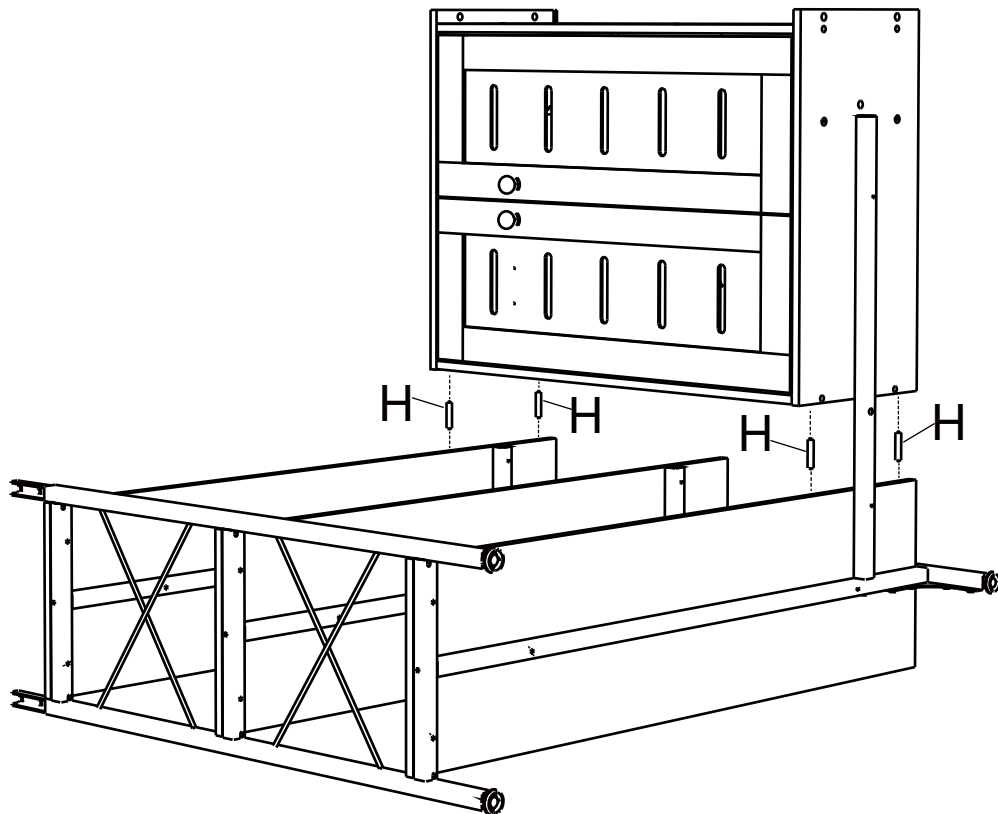
Bx15



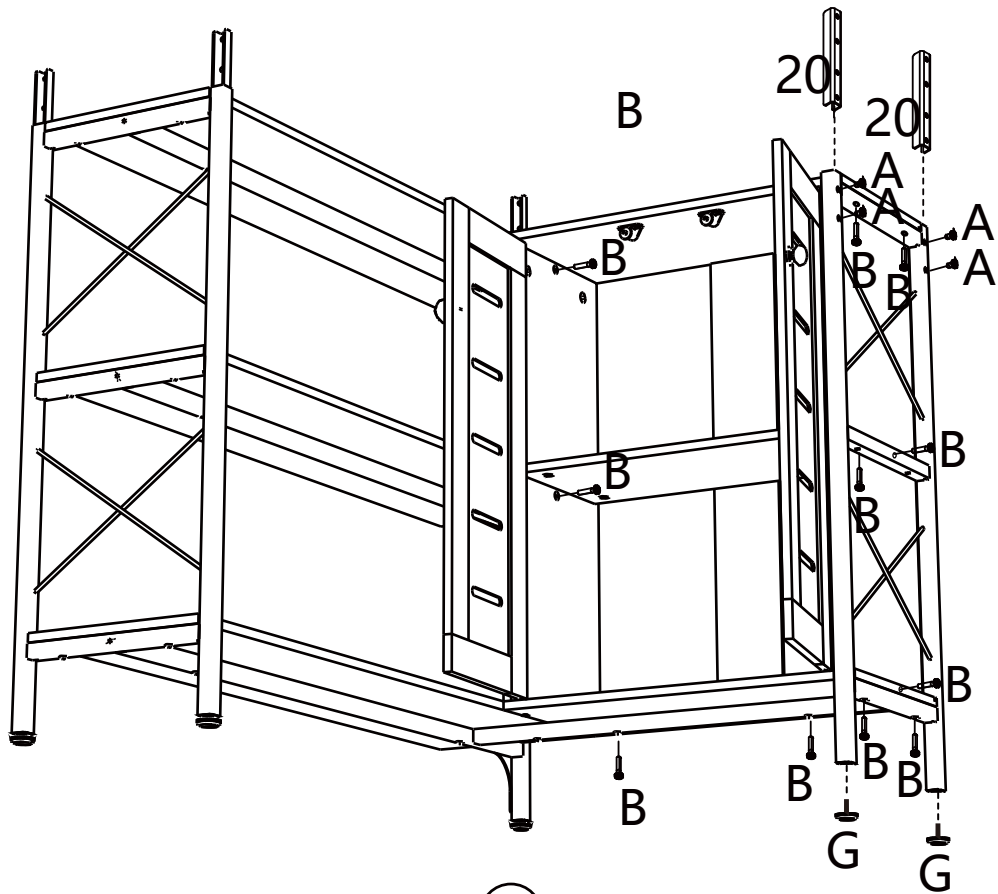
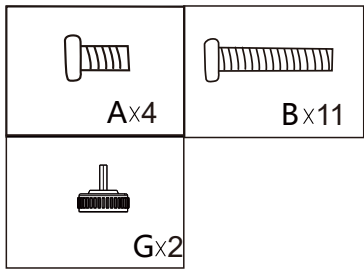
10



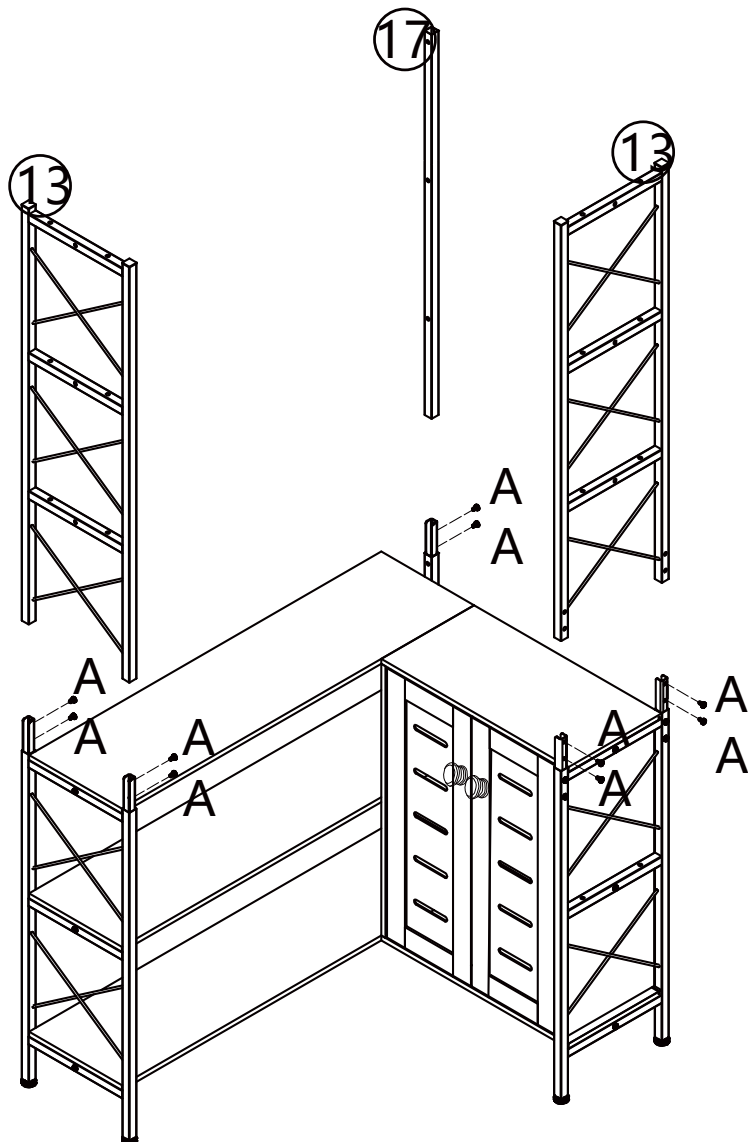
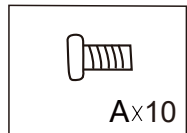
Hx4



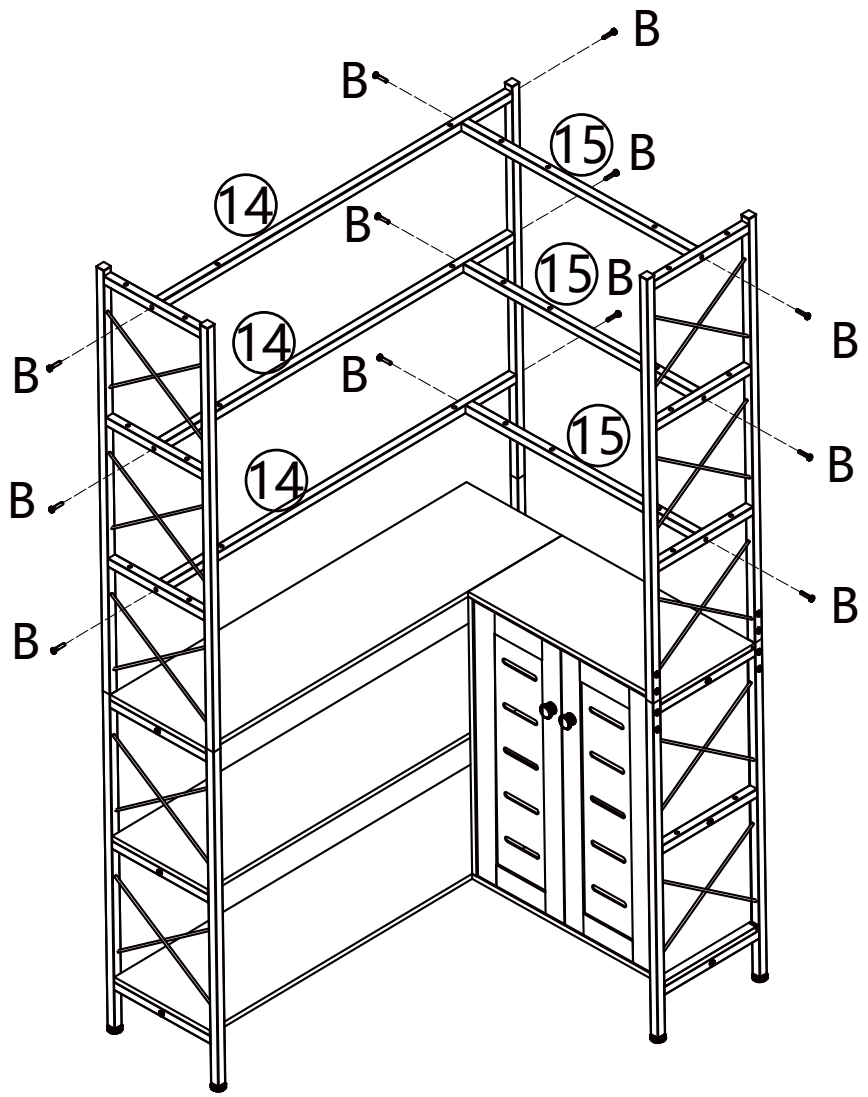
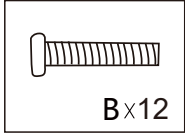
11



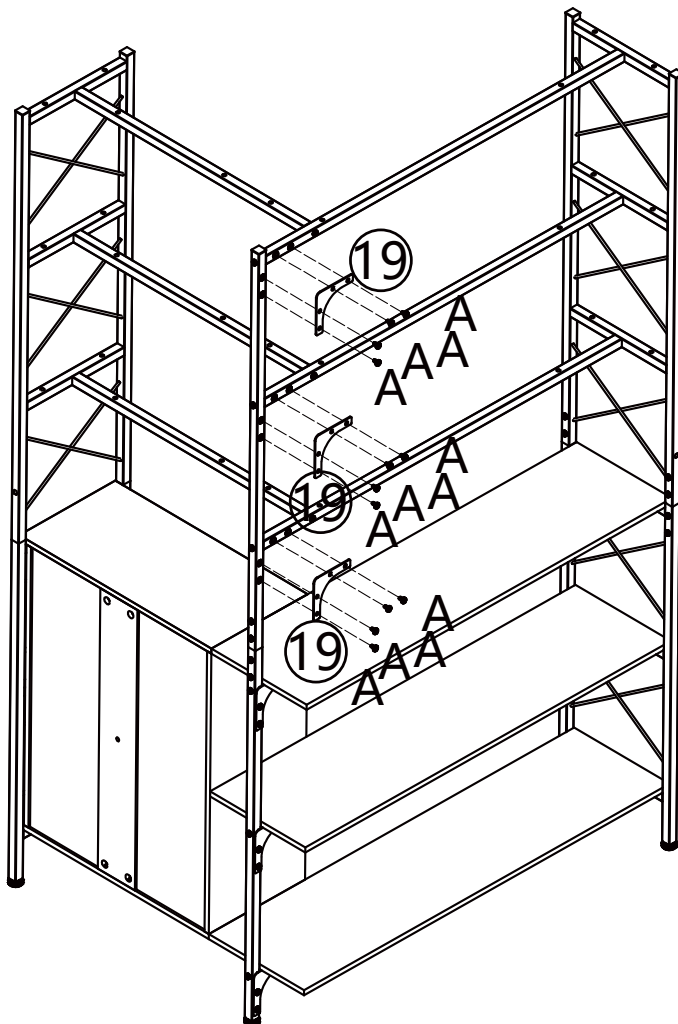
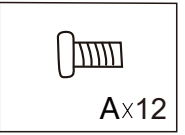
12



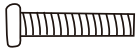
13



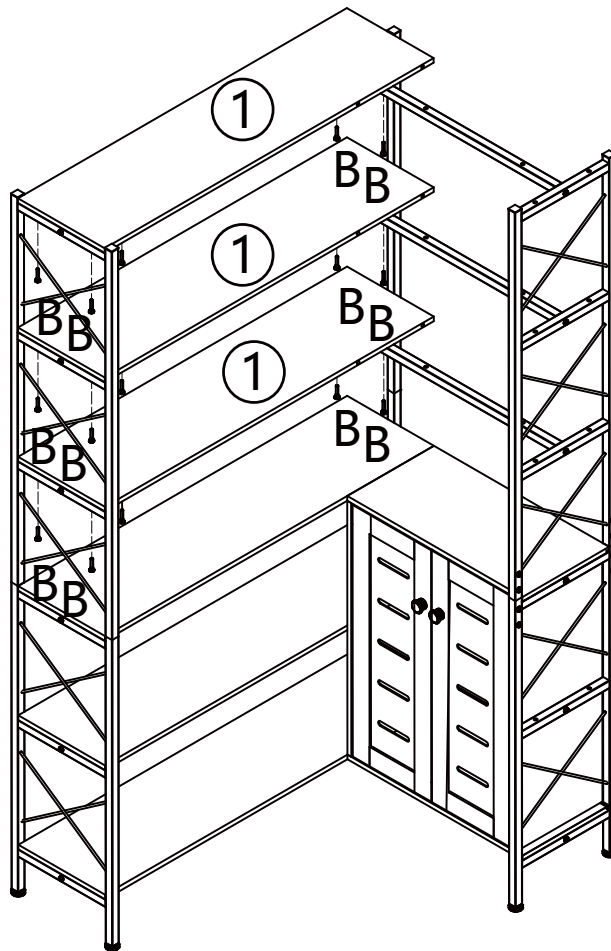
14



15



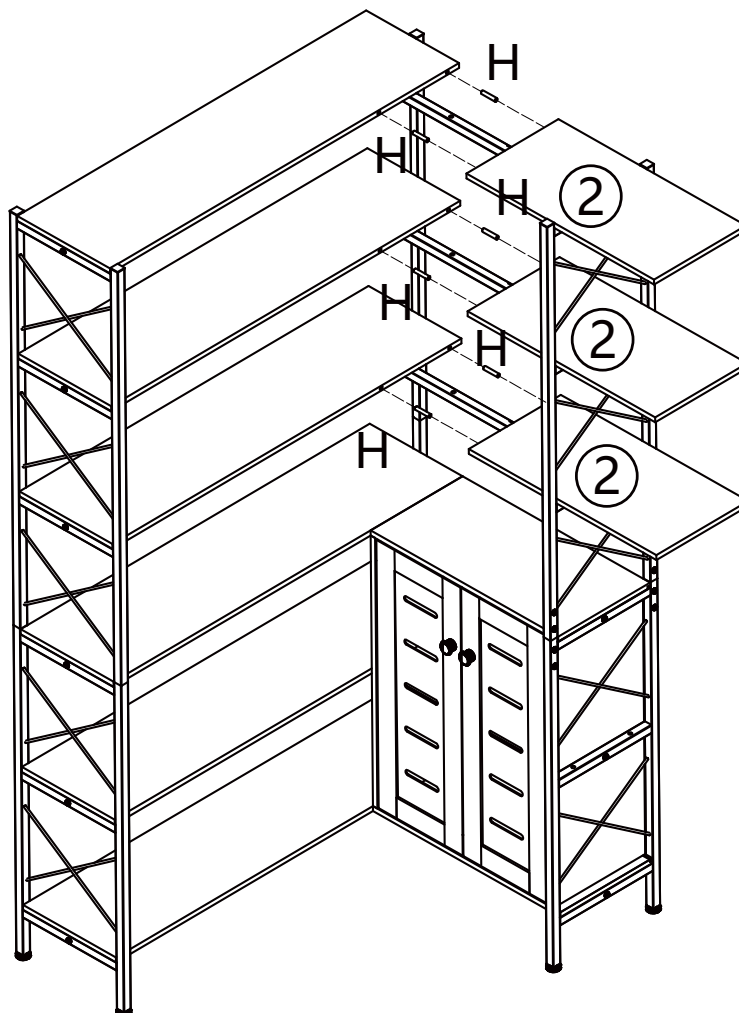
Bx12



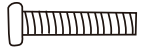
16



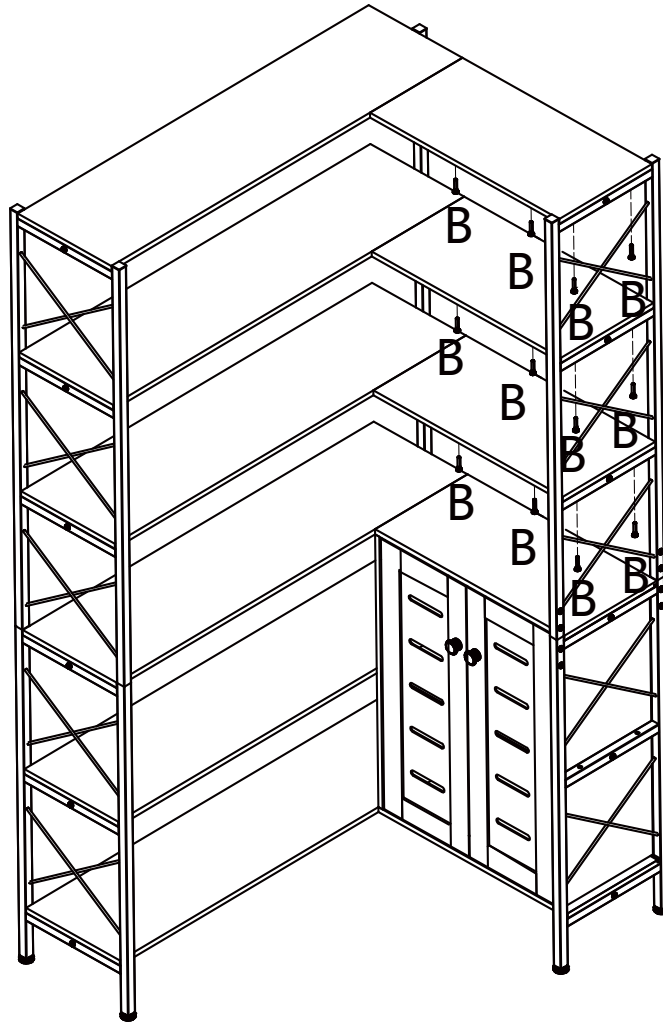
Hx6



17



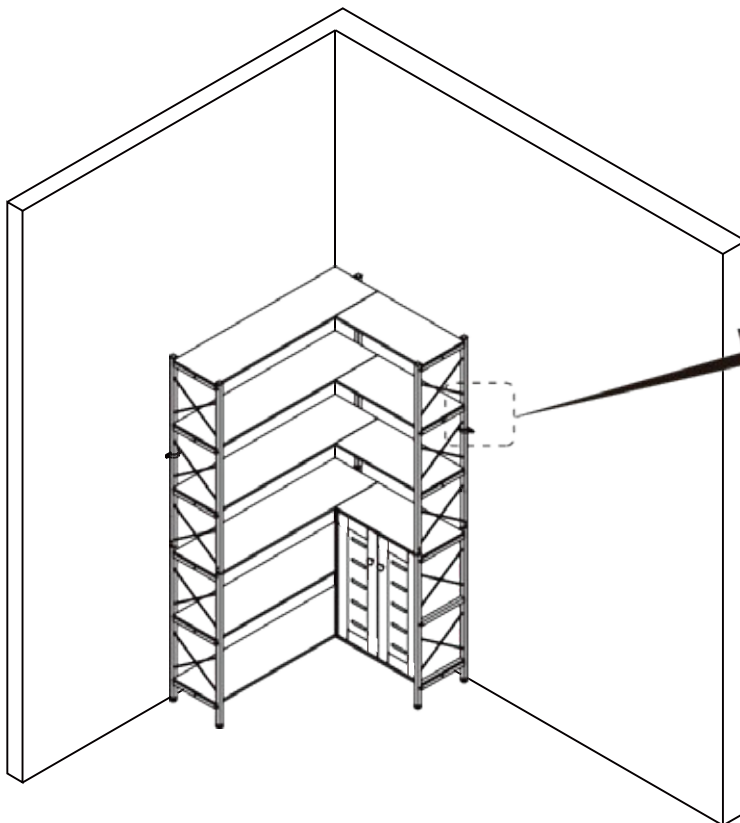
Bx12



18



Mx2



X2

