

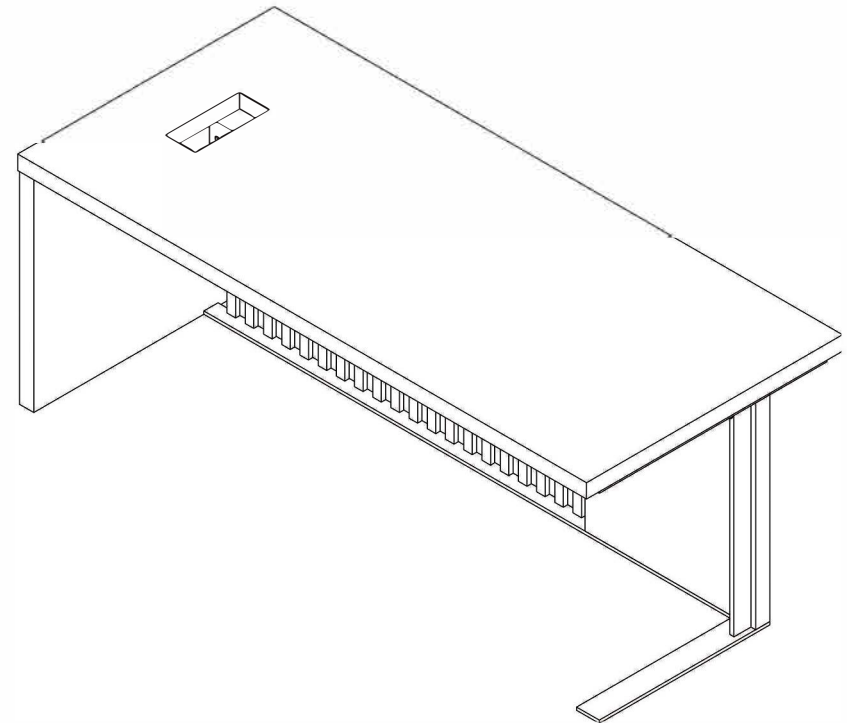
PLEASE DO NOT RETURN TO STORE

User Manual ASSEMBLY INSTRUCTION

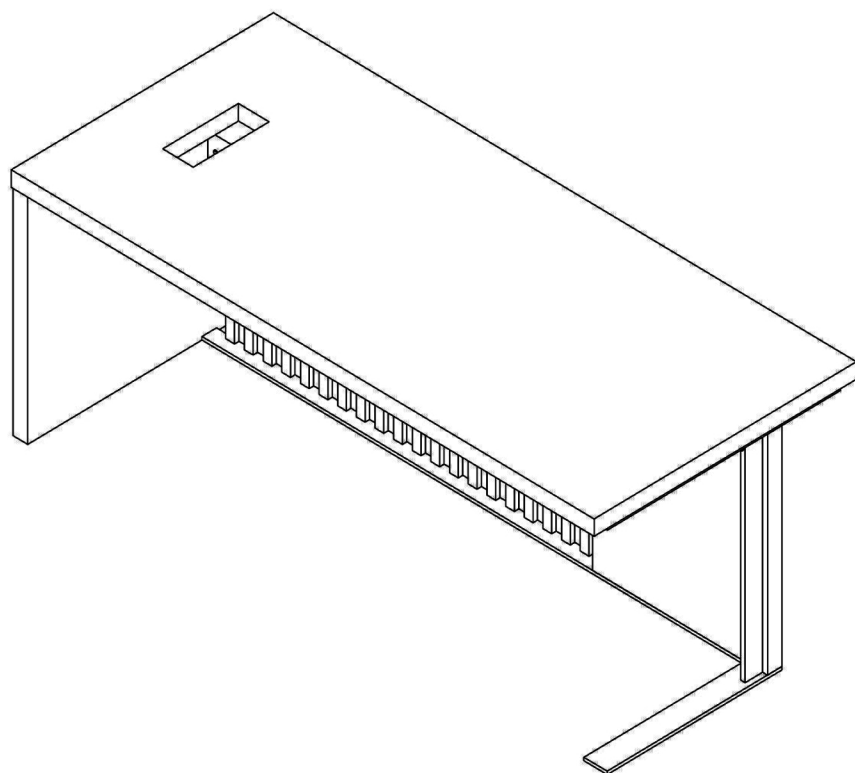







**Please do not return this product to the retailer!
We are able to assist you in ANY way!**





**If you find that you have any trouble with assembly or
missing or damaged parts please contact the seller.**








Parts List









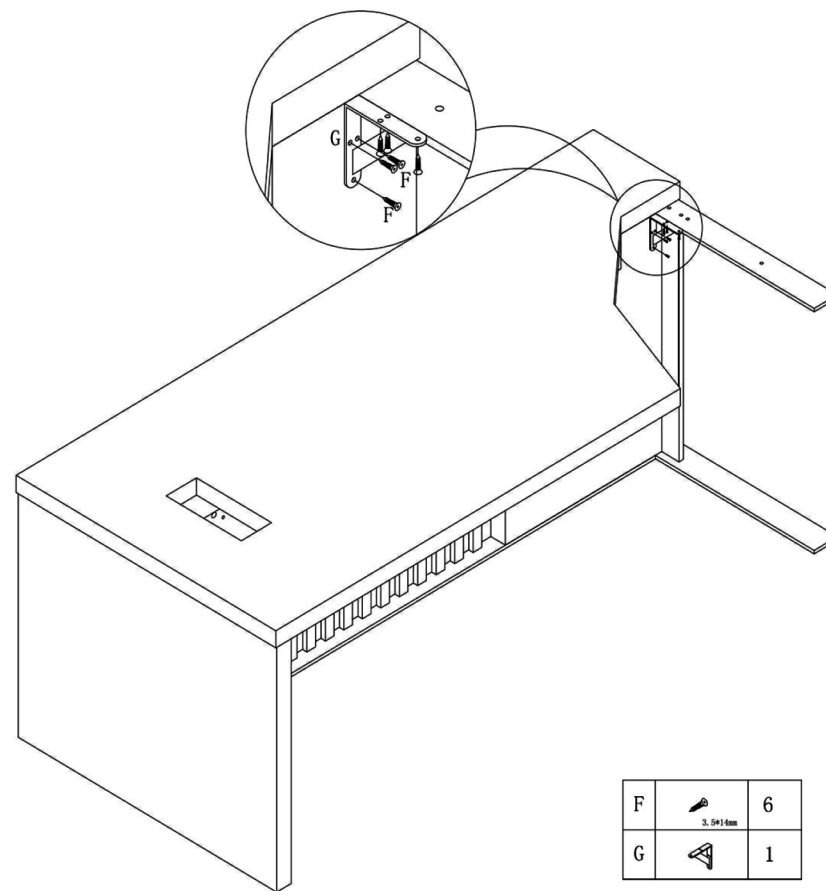
NO.	Drawing	Dimension	QTY
1		1800*900*50mm	1
2		710*896*50mm	1
3		700*600*50mm	1
4		1540*100*50mm	1
5		1140*300*15mm	1



NO.	Drawing	Dimension	QTY
6		1680*600*10mm	1
7		800*80*10mm	1
8		600*30*15mm	17
9		690*60*15mm	1

Hardware Fitting

NO.	Drawing	QTY
A		13
B		13
C	 8*25mm	4
D	 6*25mm	40
E	 6*110mm	4

NO.	Drawing	QTY
F	 3.5*14mm	6
G		1
H	 3.5*35mm	10
I	 8*80mm	4
J	 6*22mm	1
K	 8*22mm	1



F	 3.5*14mm	6
G		1



