



**1500-WATT
PROFESSIONAL BLENDER**

Model: BL3445



User Manual

-READ ALL INSTRUCTIONS BEFORE USE-

IMPORTANT UNPACKING INSTRUCTIONS

1. Place the box containing the blender on a flat, sturdy surface before unpacking.
2. Open the box and remove the instruction book, quick start, and any printed materials from the top of the box.
3. Remove packing materials and all components. CAUTION: Sharp blade inside blender container.
4. Place all packing materials back into the gift box and store away.

IMPORTANT SAFEGUARDS

READ ALL INSTRUCTIONS

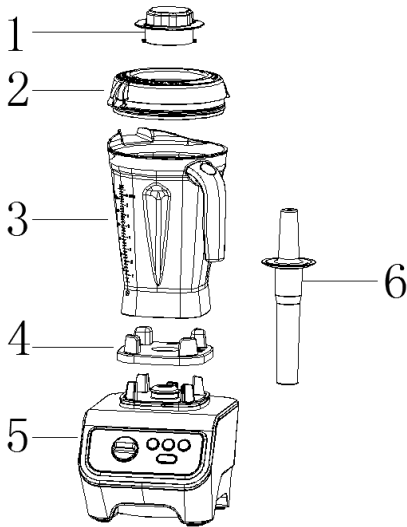
When using electrical appliances, basic safety precautions should always be taken:

1. Close supervision is necessary when the appliance is used by or near children.
2. This appliance is not intended for use by persons (including children) with sensory/ mental capabilities, or lack of experience and knowledge, unless given supervision or instruction by persons responsible for their safety.
3. Do not use carbonated liquids in the blender container; May result in injury.
4. Do not pour boiling water into the blender container.
5. When blending hot liquids, open or remove each non-pouring lid or cap, and close any edge cover openings intended for pouring. The vented lid is to remain in place over the cover opening(s) when blending hot liquids.
6. Do not blend liquids for more than 7 minutes. Note: The use of ear protection is recommended during extended operating periods.
7. Do not use outdoors.
8. Do not let the cord hang over edge of table, counter, or touch hot surfaces.
9. Do not operate this blender with a damaged cord, plug, or after the appliance malfunctions, is dropped, or damaged in any manner. Return appliance to the nearest authorized service facility for examination, repair, electrical, or mechanical adjustment.

10. To protect against electrical hazards and permanent damage to unit, do not put motor base of blender in water or other liquids.
11. The use of attachments, including canning jars, is not recommended by the manufacturer and may result in a risk of injury to persons.
12. Avoid coming into contact with moving parts.
13. Blades are sharp. Handle carefully.
14. Do not fill above MAX FILL LINE for blending.
15. If the container overflows during blending, stop blending, remove the liquid/ingredients to below MAX FILL LINE, and continue blending. Do not operate if overflowing.
16. Do not operate your appliance in an appliance garage. When storing in an appliance garage, always unplug the unit from the electrical outlet. Not doing so may result in a risk of fire.
17. The coupling seat may be hot after running – do not touch.
18. Replace jar pad if worn.
19. Always operate blender with the jar pad and lid in place.
20. Ensure the jar coupler and motor coupler are aligned and engaged before operating. If unable to engage, remove container, shake contents, and try again.
21. To turn the appliance OFF, grasp the plug and pull from the outlet. Never pull from the power cord. Unplug from the outlet before assembling or disassembling parts, before cleaning, and when not in use.
22. See Cleaning and Maintenance instructions.
23. Do not operate any appliance with a damaged cord or plug. After the appliance malfunctions, is dropped, or damaged.

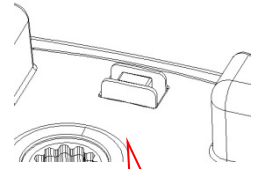
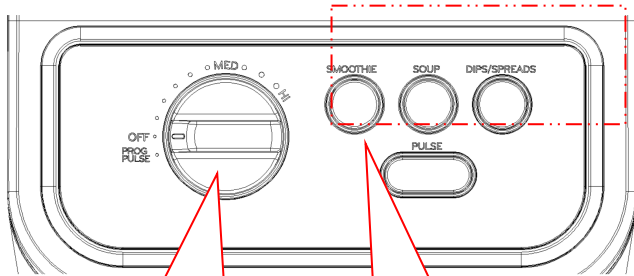
SAVE THESE INSTRUCTIONS!

FEATURES AND COMPONENTS



1. Removeable Measuring Cap (2 oz.)
2. Anti-Leak Lid
3. BPA Free Tritan XL Pitcher (64 oz.)
4. Removable Jar Pad
5. Blender Base with 1500W Performance Motor
6. Tamper

CONTROL PANEL



Manual adjustable
speed

PRE-SET program with
LED light around

Safe micro switch

OPERATING INSTRUCTIONS

Place the motor base on a flat, dry, and sturdy surface. Once assembled, plug the power cord into an electrical outlet. Add all necessary ingredients to the pitcher and secure the lid. Once ready, press the power button on the back of the base, the LED preprogrammed button lights will flash. Manually adjust the speed or define a preprogrammed setting. You may add more ingredients by removing the measuring cap and dropping ingredients through the fill area. Replace the measuring cap after adding desired ingredients. Note: Do not put hands in the pitcher while the blender is on.

TO RESET THE UNIT

Your blender is equipped with a resettable thermal protector to reframe from overheating. If the motor shuts down, unplug the blender. Let the blender rest for approximately 15 minutes. Once the resting period has elapsed, plug the power cord back into the outlet and continue blending. If your blender does not function properly following this procedure, discontinue use and contact our customer service department.

PRESET FUNCTION

Turn the adjustable speed knob to the program position (all the way to the left) and then press the preset function button that you desire.

1. Adjust the speed rotary knob to PROG/PULSE.
2. For **Smoothie**, press the SMOOTHIE button (totally 45 second running time).
3. For **Soup**, press the SOUP button; be sure not to exceed the MAX FILL LINE (totally 7 minutes running time).
4. For **Dips/spread**, press the dips/spread button (totally 45 second running time).
5. When the blender is running at any preset program pressing and releasing the PULSE button, will let you pulse the ingredients.

FOR HOUSEHOLD USE ONLY

This appliance has a polarized plug (one pin is wider than the other). To reduce the risk of electric shock, this plug will fit in to a polarized outlet only one way. If the plug does not fit fully in the outlet, reverse the plug. If it still does not fit, contact our customer service department. Do not modify the plug in any way.

HELPFUL REMINDERS

1. When blending, place liquid ingredients into the jar first, followed by the softest ingredients. Ice or frozen fruit should be placed in the jar last.
2. The lid should always be secure while the unit is in operation. Always use the blender on a clean, sturdy, and dry surface.
3. Secure the measuring cap insert in the lid by twisting it clockwise.
4. Once the lid is in position, additional ingredients can be added during the blending process by simply removing the measuring cap insert, adding ingredients, and turning it to secure.
5. Do not place pitcher on the base while the motor is running and do not

- remove the pitcher before the blender has stopped running.
6. Do not attempt to blend boiling liquids.
 7. Never use carbonated liquids in the pitcher. Using carbonated liquids in the blender may result in injury.
 8. Unplug blender before reaching into the pitcher.
 9. Do not use any utensils inside the pitcher with the motor on.
 10. Use a plastic spatula as needed only when the blender is turned off. Never use metal utensils, damage may occur to the pitcher or blade.
 11. When the blender has been running for 7 minutes, it will automatically shut off unless it is in **SOUP** mode (7-minute operation).
 12. Use **PULSE** function for maximum power to break up hard ingredients.
 13. Do not exceed the MAX FILL LINE when adding food or liquid to the blending jar.
 14. Do not store food or liquids in your pitcher.
 15. Be careful not to over process foods.

BLENDER CLEANING AND MAINTENANCE

Always unplug the blender from the electrical outlet before cleaning. Never immerse blender base in water or other liquids.

1. Remove the pitcher from the blender base and remove the lid. The pitcher must be cleaned and dried after each use or when the blender has not been used for an extended period of time.
2. Wash the lid in warm, soapy water and rinse thoroughly.
3. The pitcher, blade assembly and lid assembly are all dishwasher safe.
4. To clean the blender base, wipe the exterior with a soft cloth or sponge dampened with cleaning solution. **Do not immerse the base in cleaning solution or water.**
5. Wipe with a dry towel and be sure the base is completely dry before using.

ICUCINA LIMITED WARRANTY

LIMITED ONE-YEAR WARRANTY: Thank you for choosing the iCucina 1500W High-Power Blender. This product is warranted to be free from defects in material and workmanship under normal household use during the first one year from the date of original purchase with receipt. We will repair or replace it at our option. The limited warranty shall not apply to damages resulting from accidents, abuse, misuse, damage caused by shipping, or failure to follow safety instruction. The warranty is valid only for first quality goods purchased from an authorized resale and only valid in the United States.

CUSTOMER SERVICE INFORMATION

If you have any questions regarding to the warranty, the operation of iCucina appliances, or need parts for your appliance, please contact us via email: service@icucinakitchen.com. Inquires will be answered promptly. Thank you and we are happy to be cooking with you!



Thimax Inc. Irvine, CA 92618