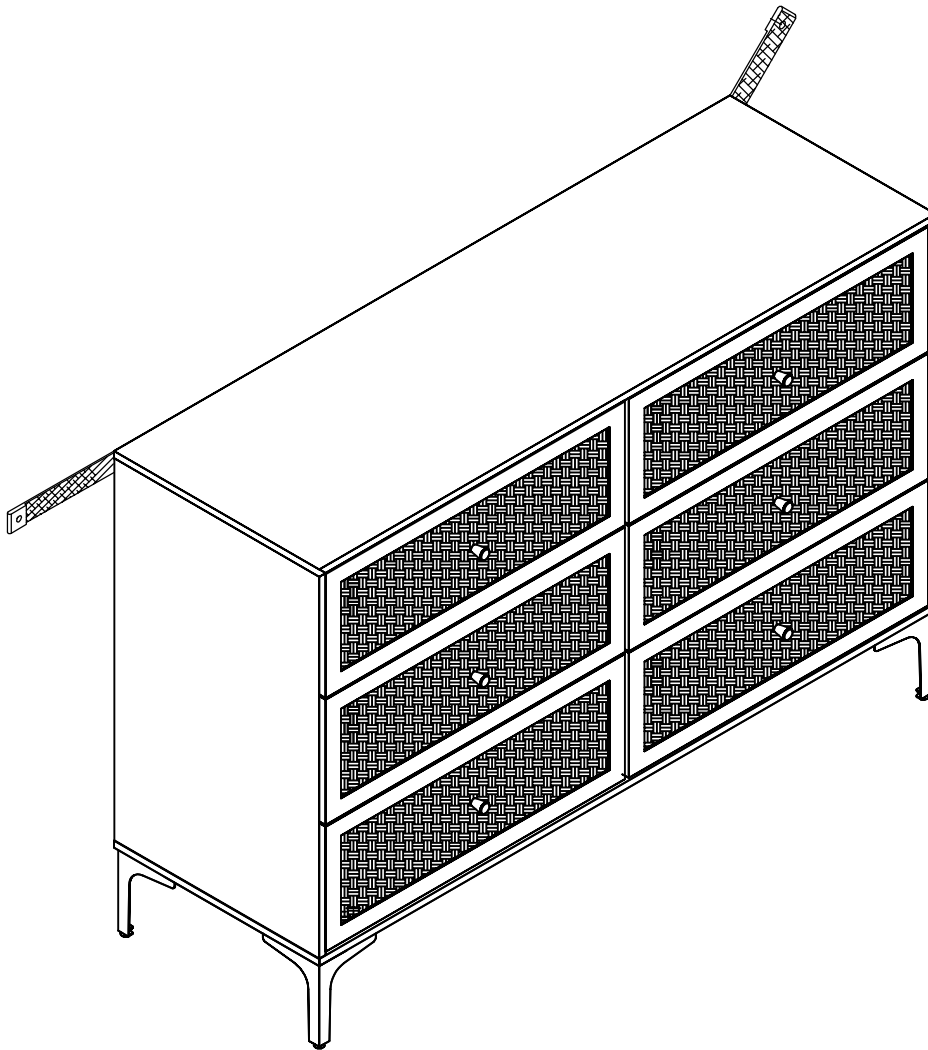


Installation Instruction

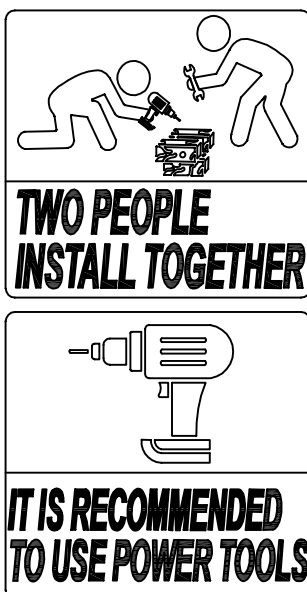
Please don't tighten the screws completely and go back later for a final tightening of all the screws after pieces are aligned with each other.



Please carefully review the following precautions before proceeding with the installation:

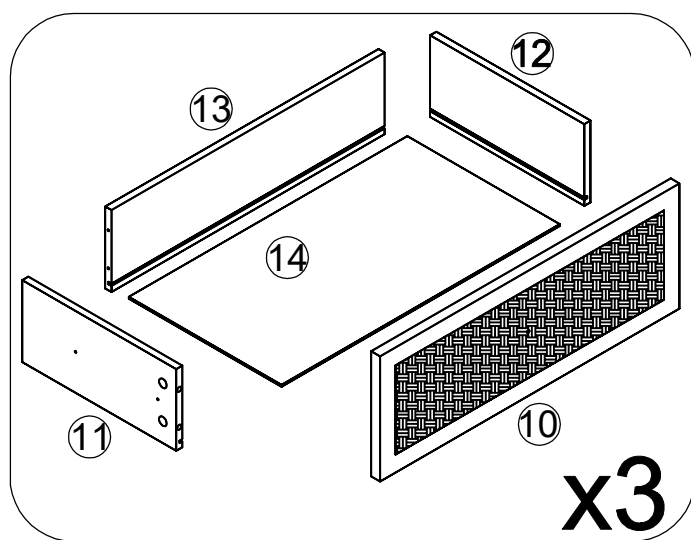
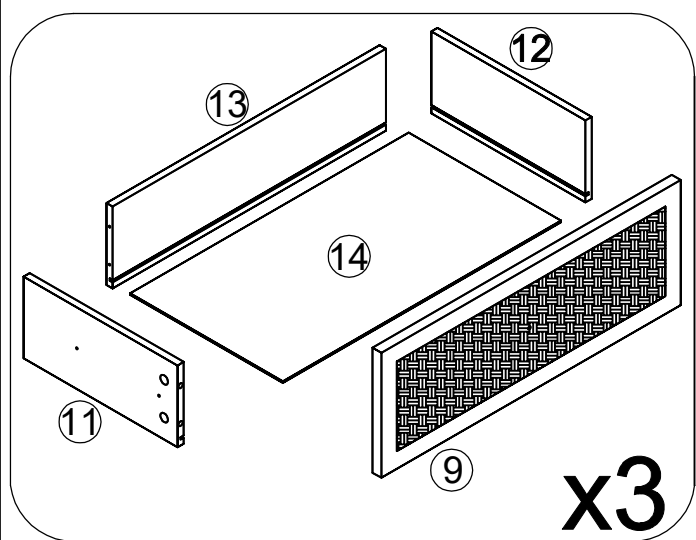
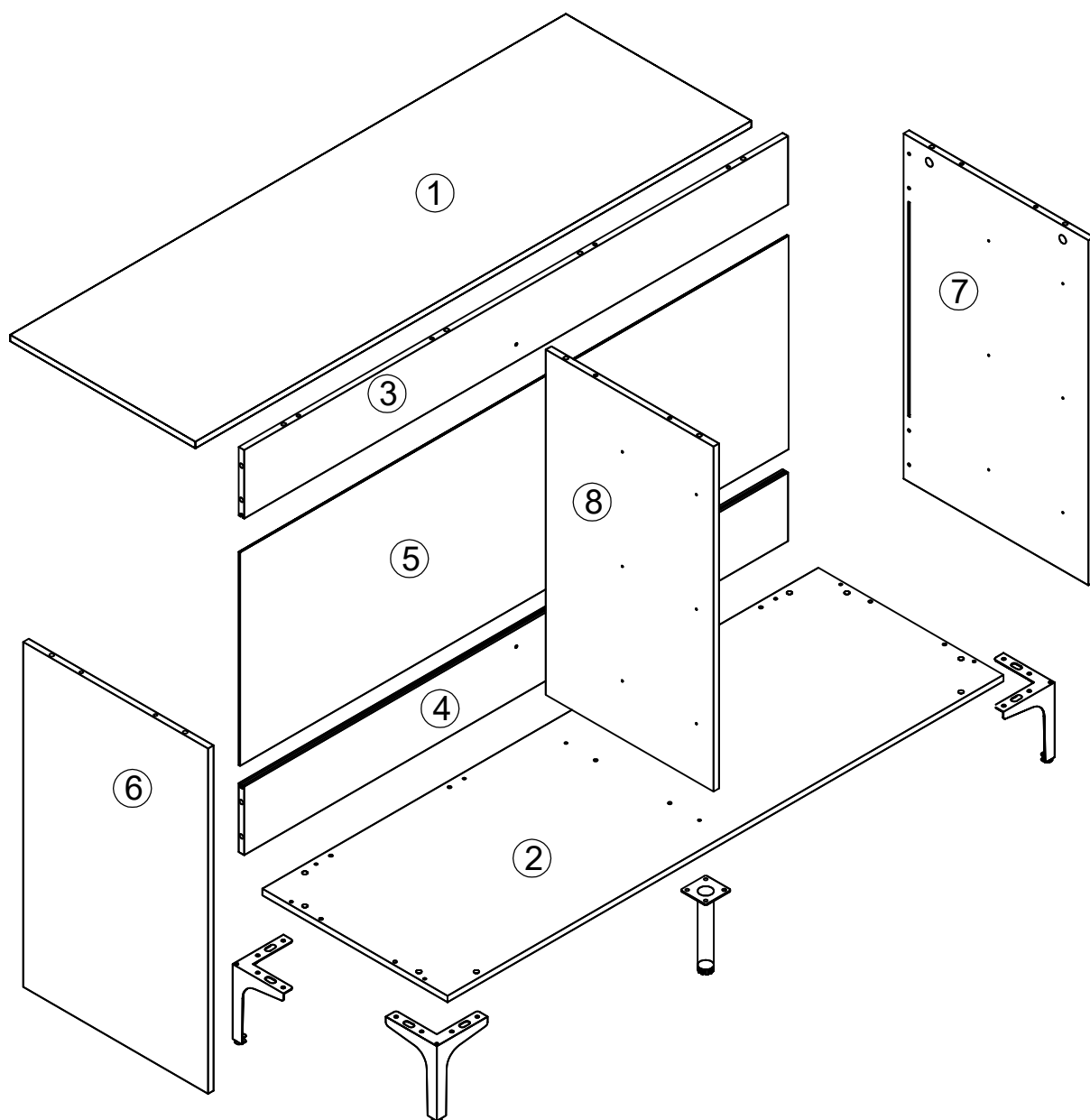
1. The installation process for this product is complex, and it is highly recommended to have at least two individuals working together during the installation.
2. Prior to each step, please refer to the screw hole positions to ensure that the board is aligned correctly according to the images provided in the instruction manual. This will help prevent any errors.
3. In case power tools are used for installation, it is important to tighten the screws intermittently rather than applying excessive force continuously. This precaution will help avoid potential cracks around the screw holes.
4. If you encounter any difficulties or issues during the assembly process, please don't hesitate to reach out to us via email or Amazon message. We assure you that we will address your concerns and provide a solution within 24 hours.

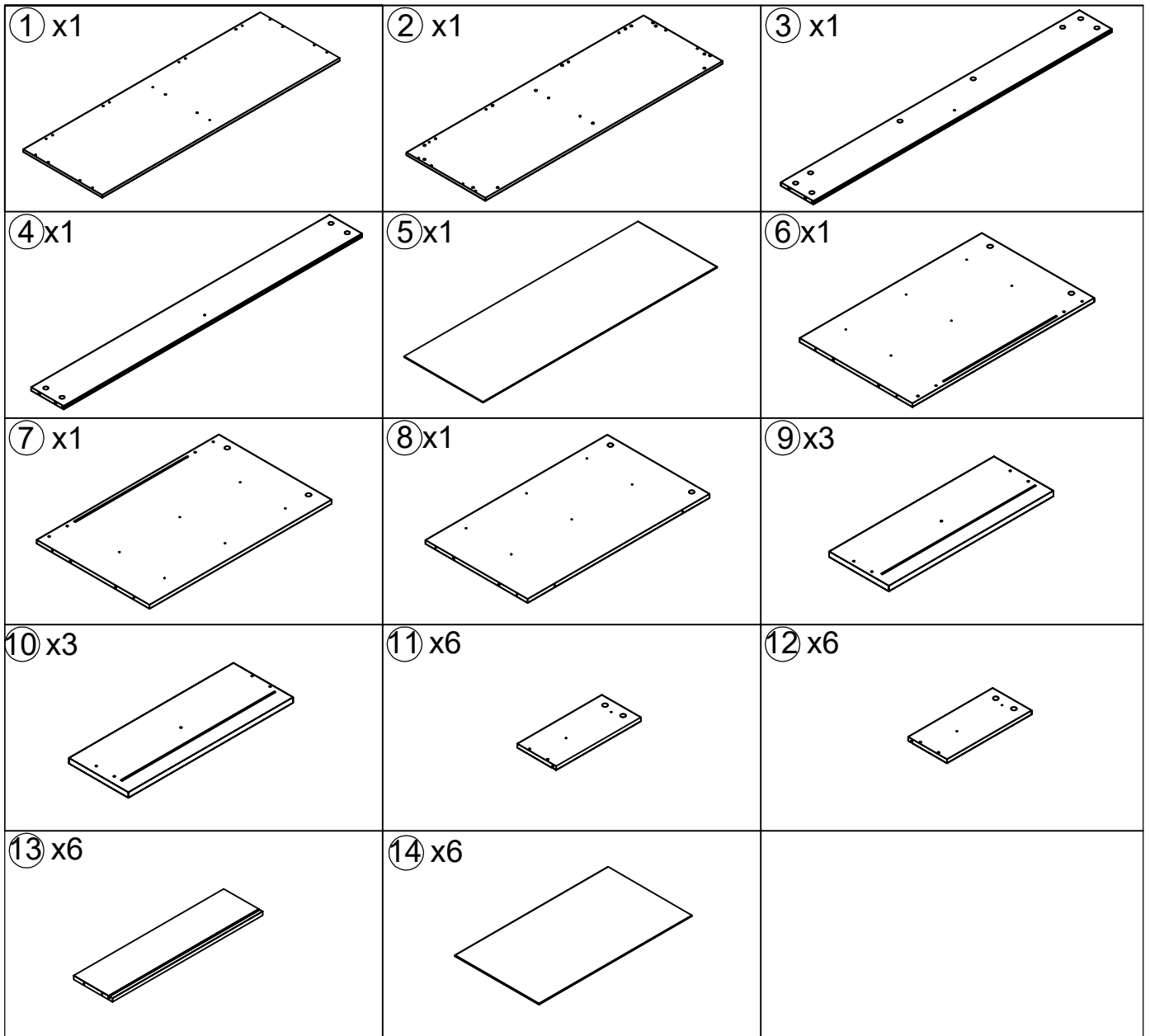
Thank you for your attention to these important instructions.



⚠ WARNING	
	Children have died from furniture tip-over. To reduce the risk of furniture tip-over: <ul style="list-style-type: none">• ALWAYS install tip-over restraint provided.• NEVER put a TV on this product.• NEVER allow children to stand, climb or hang on drawers, doors, or shelves.• NEVER open more than one drawer at a time.• Place heaviest items in the lowest drawers.
	<i>This is a permanent label, Do not remove!</i>

Made In China

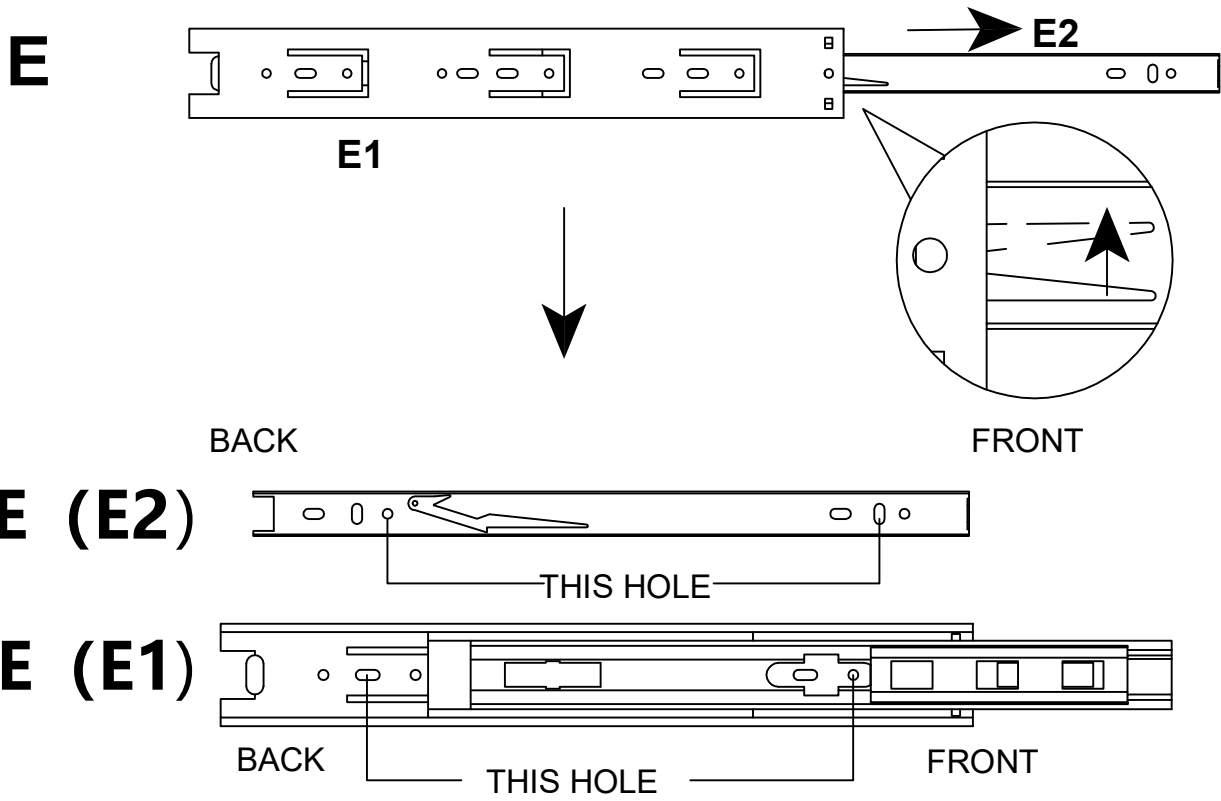




Hardware

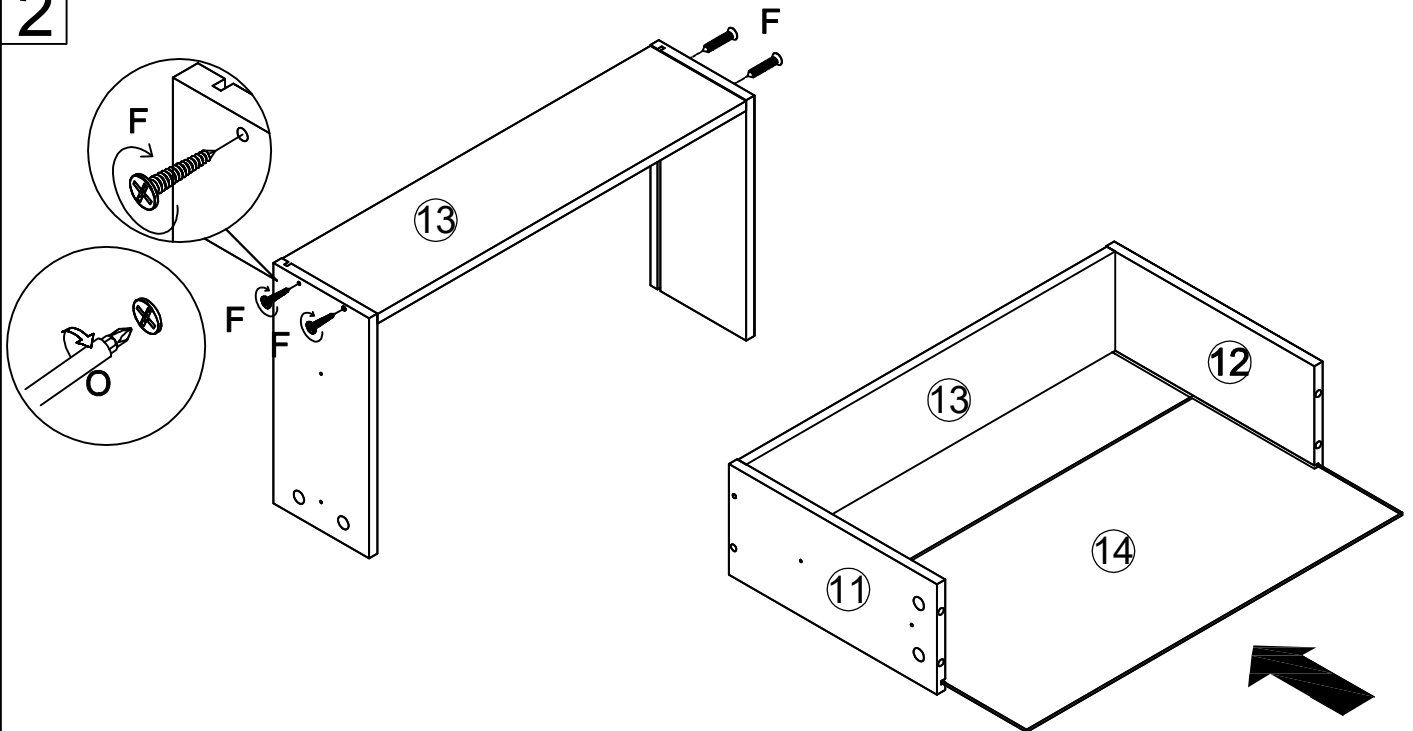
A	x42 +2(spare)	B	x42 +2(spare)	C	x20 +2(spare)	D	x52 +4(spare)	E			
Ø6x32mm				Ø6x30mm		Ø3.5x12mm		E1	x12	E2	x12
F	x38 +1(spare)	G	x18 +1(spare)	H	x18 +1(spare)	I	x6	J	x6	K	x2
M4x35mm				Ø3x16mm				Ø4x16mm			
L1	x2	L2	x2	M	x4	N	x8	O	x1	P	x1
Ø4x14mm						M8x12mm					

1




A Pair of drawer guides in two parts.

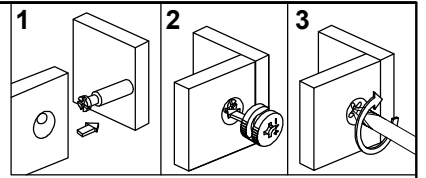
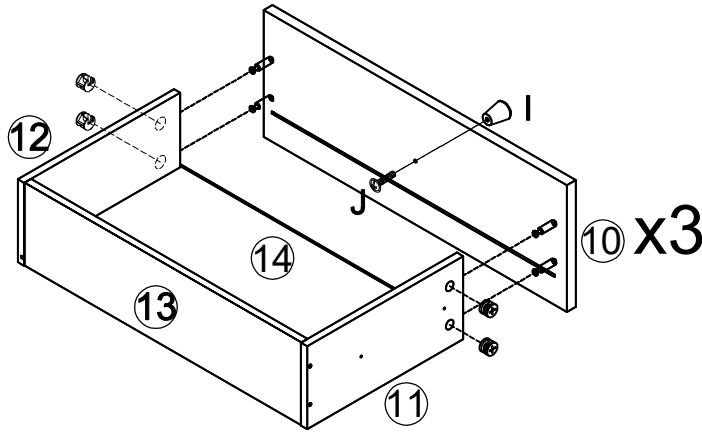
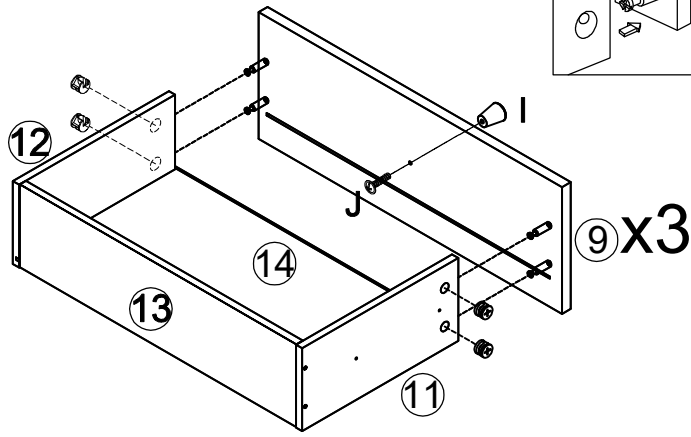
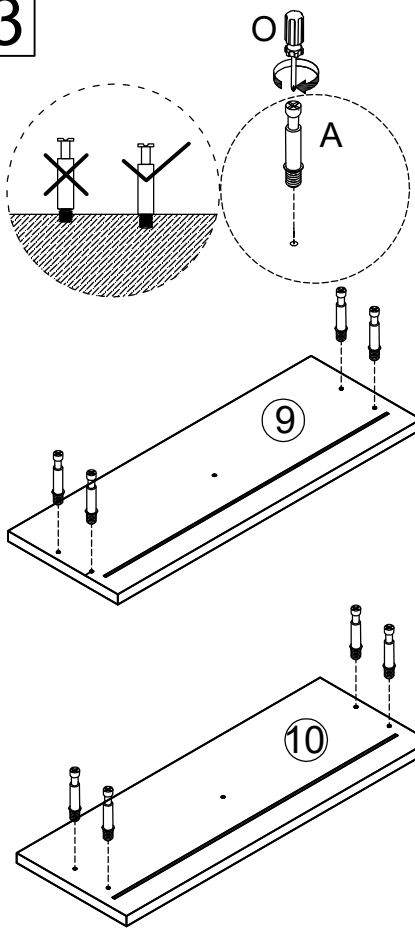
2




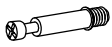


x6

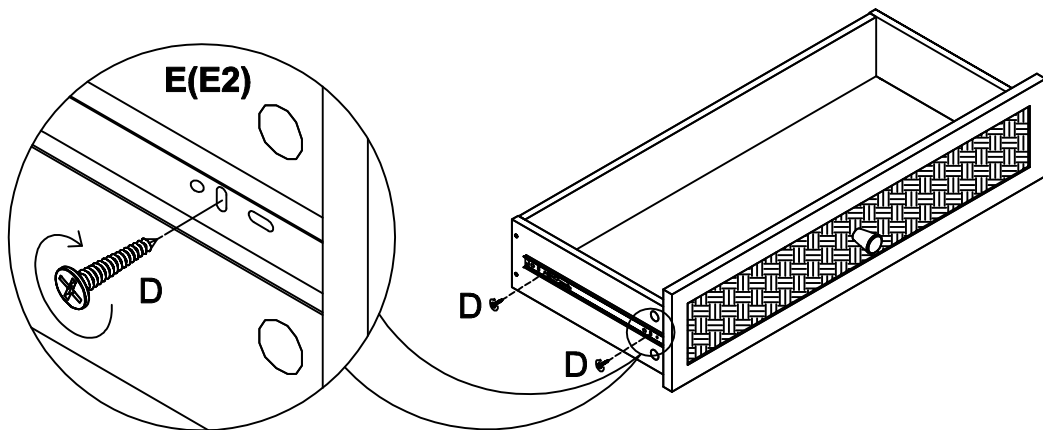
F	x24
	
M4x35mm	

3





J	x6
	
M4x16mm	
I	x6
	
B	x24
	
A	x24
	
Ø6x32mm	

4

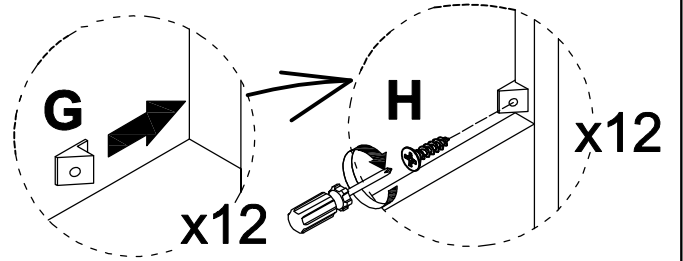
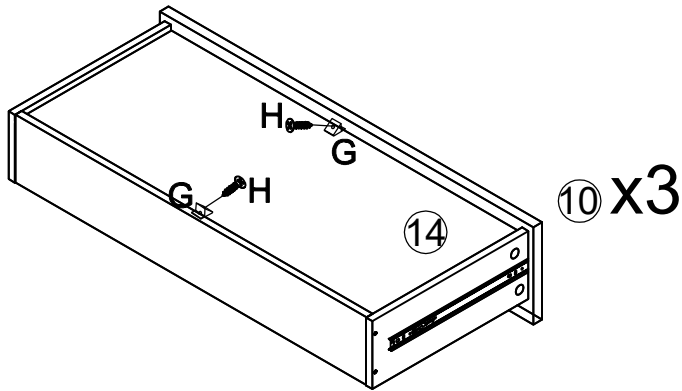
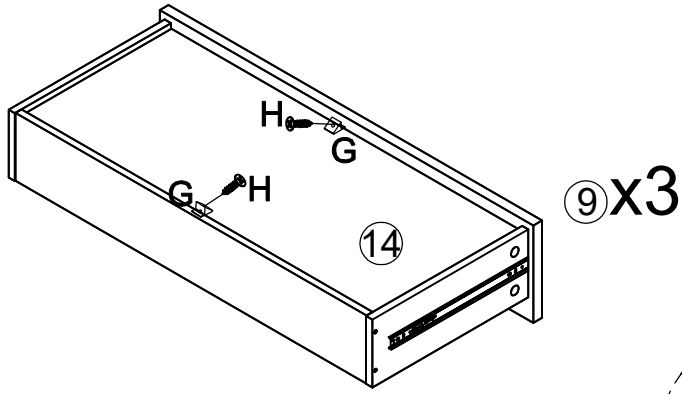




x6

E(E2)	x12
	

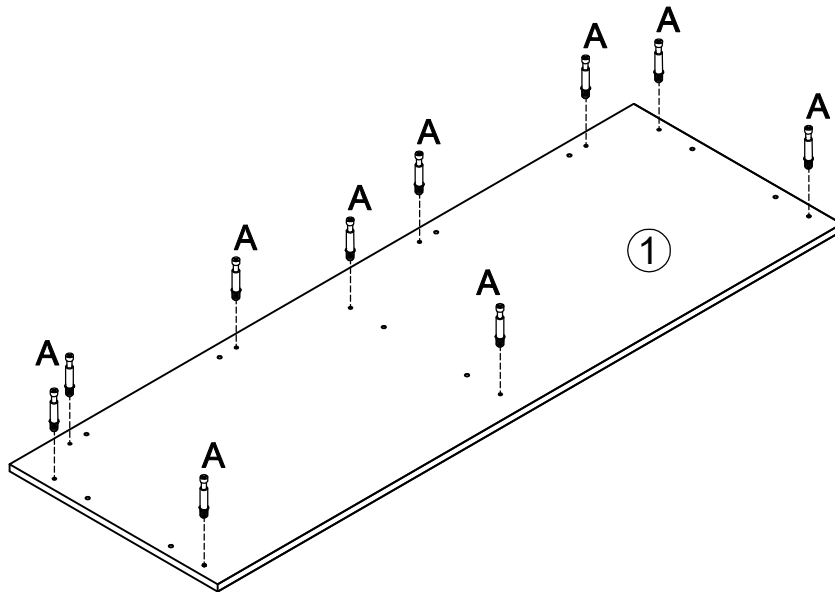
D	x24
	
Ø3.5x12mm	

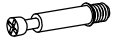
5



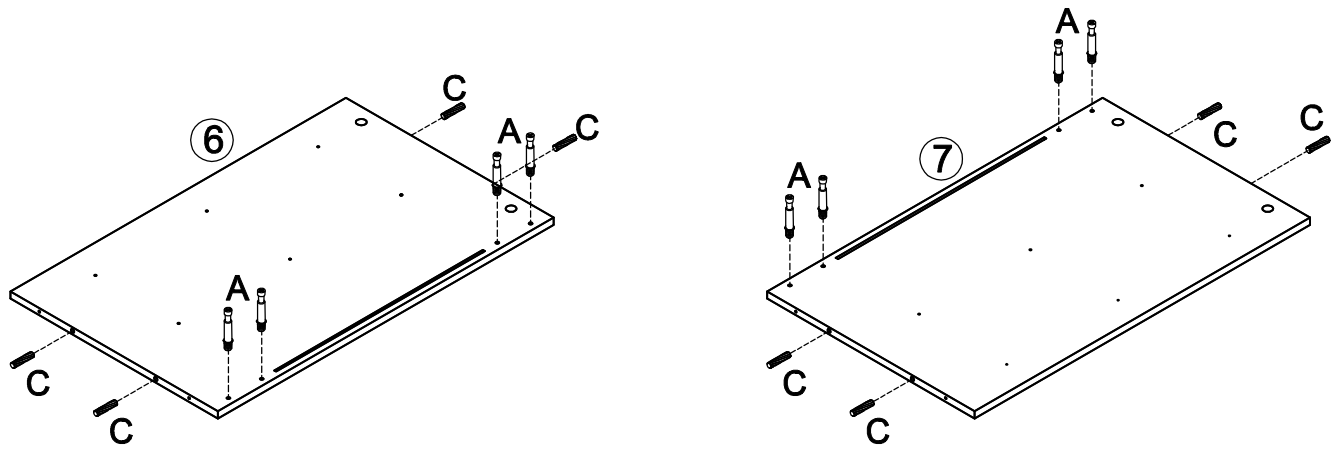
G	x12	H	x12
			
		Ø3x16mm	

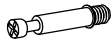

6



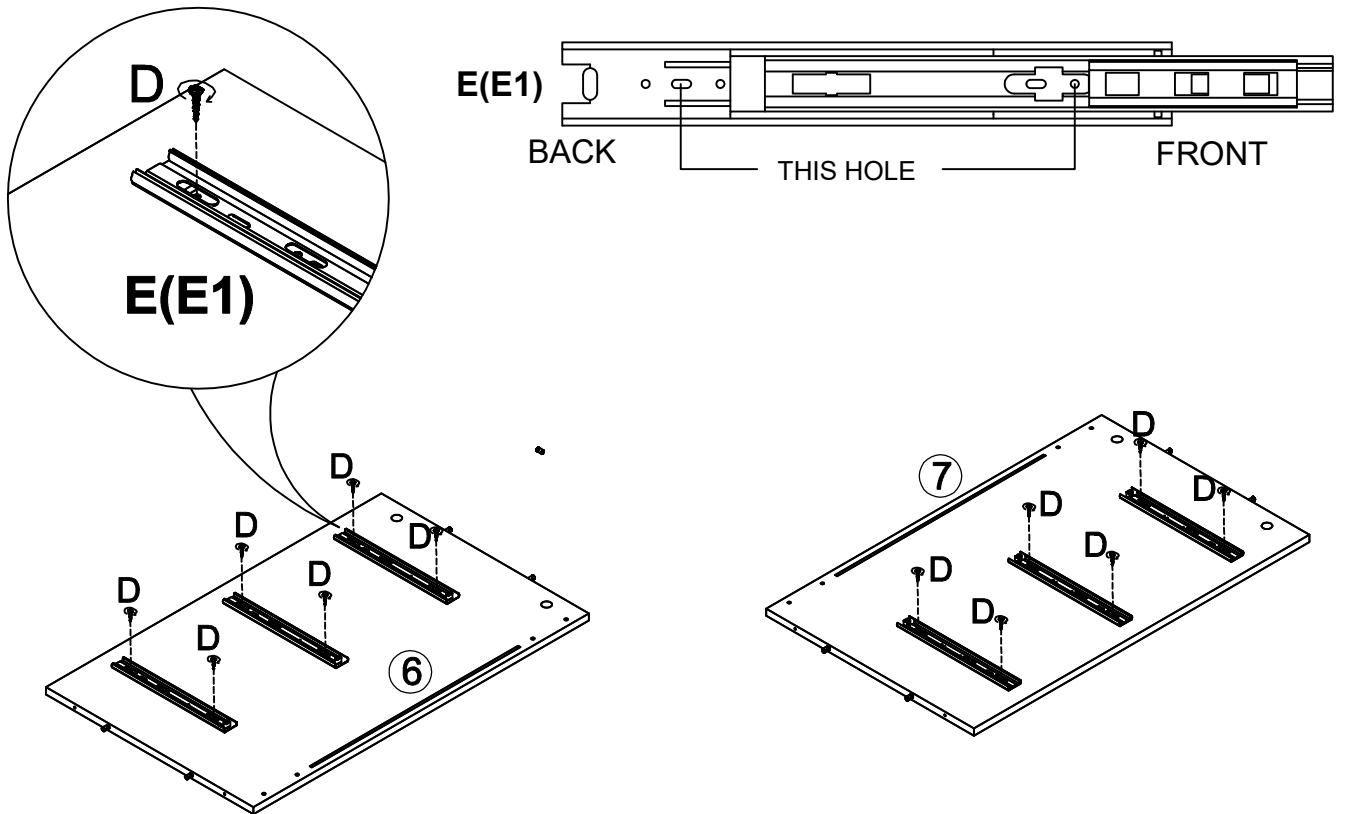
A	x10
	
Ø6x32mm	



7



A	x8	C	x8
			
Ø6x32mm		Ø6x30mm	

8



E(E1)	x6	D	x12
			
		Ø3.5x12mm	

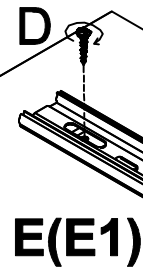
9

E(E1)

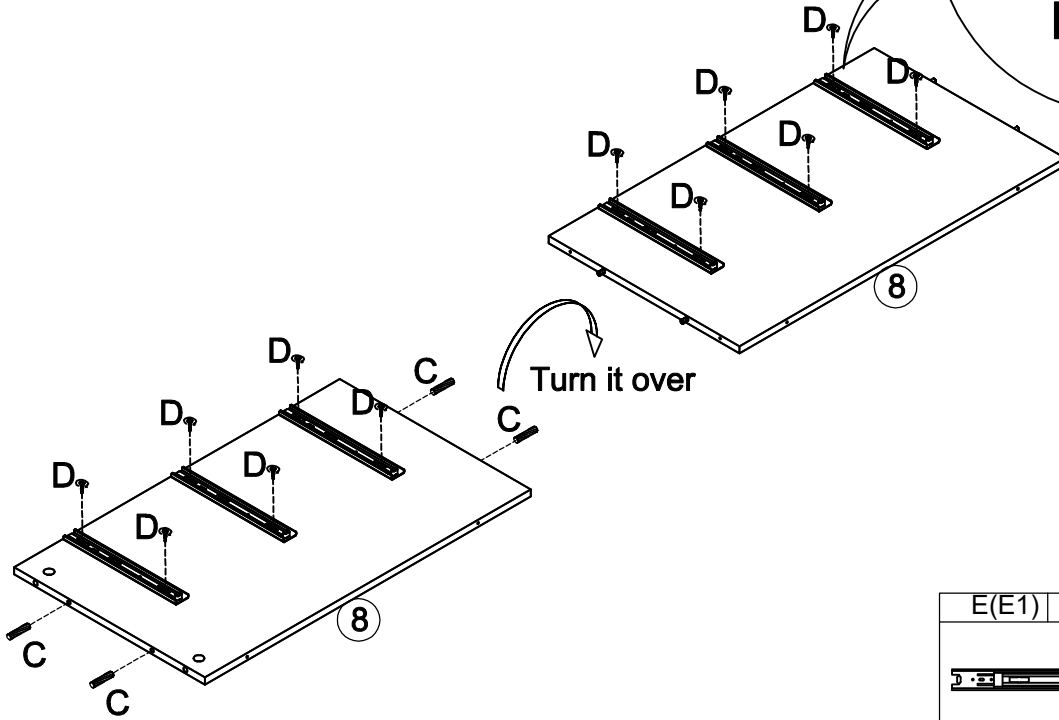
BACK

THIS HOLE

FRONT



E(E1)

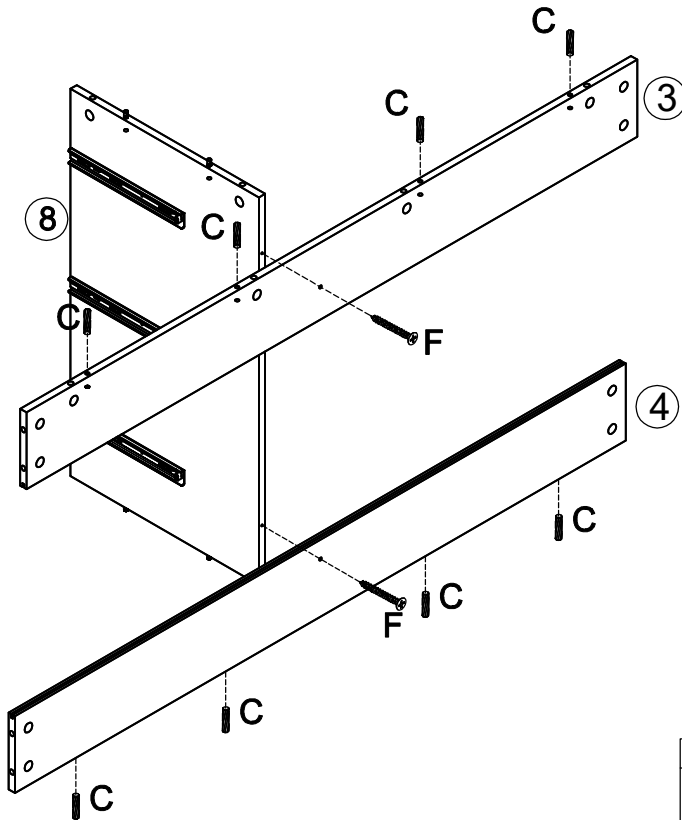


C	x4
Ø6x30mm	

E(E1)	x6

D	x12
Ø3.5x12mm	

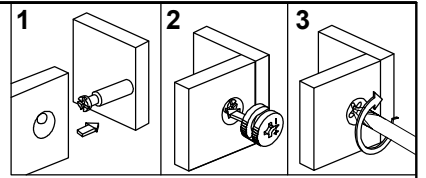
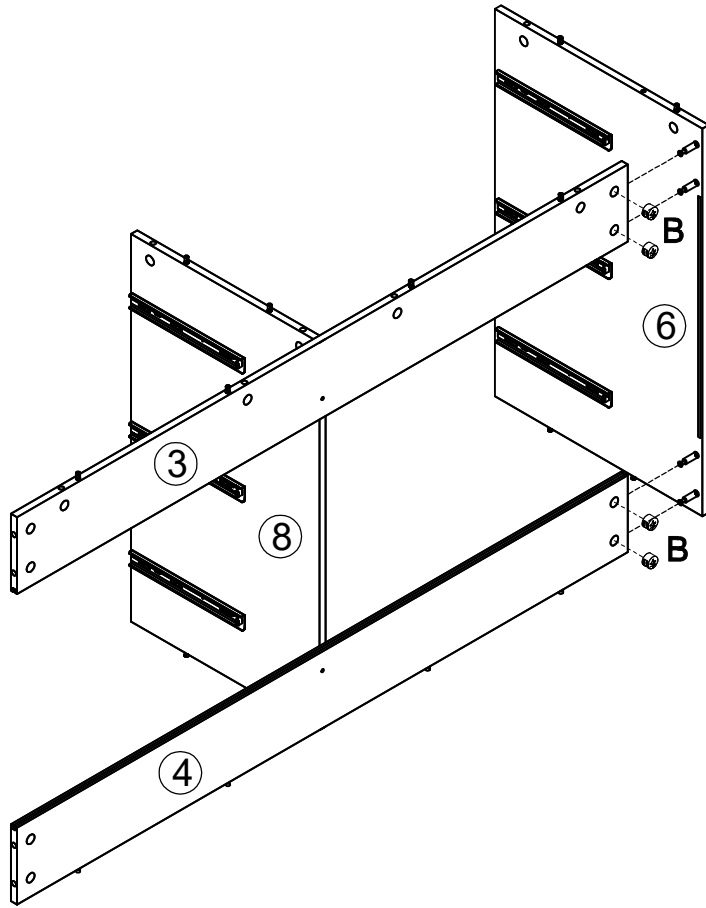
10



C	x8
Ø6x30mm	

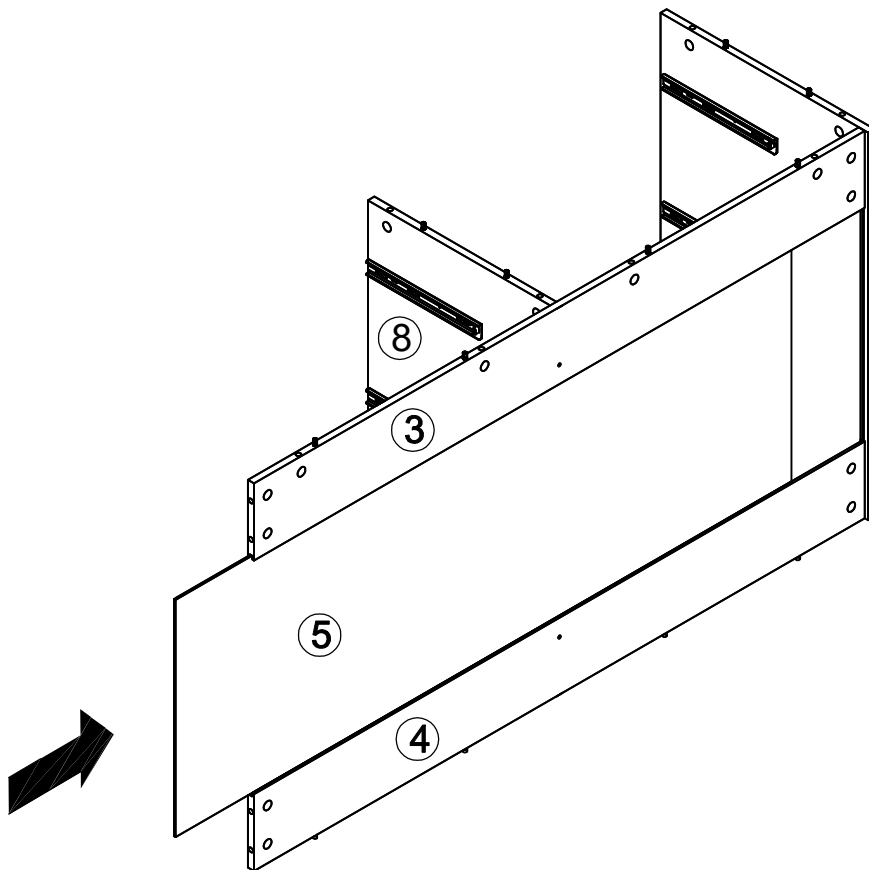
F	x2
M4x35mm	

11

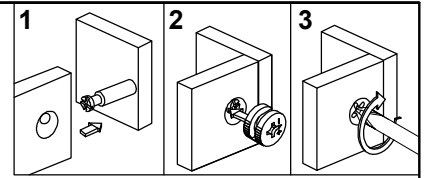
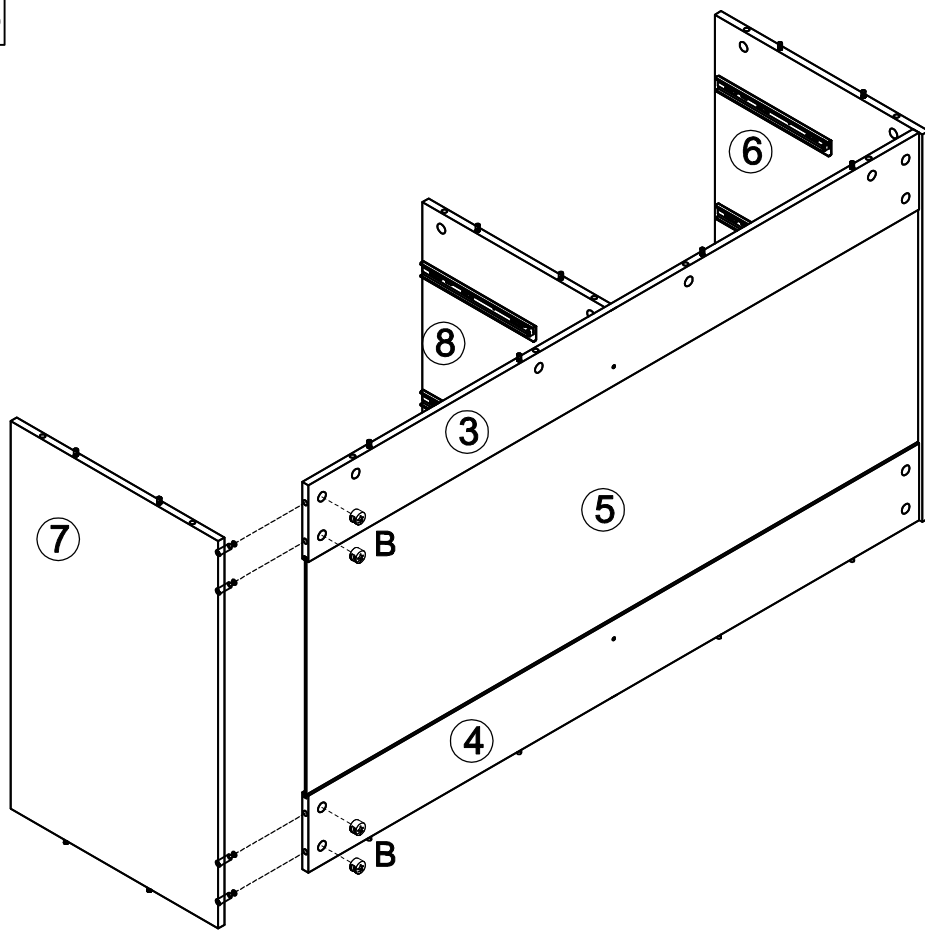


B	x4

12

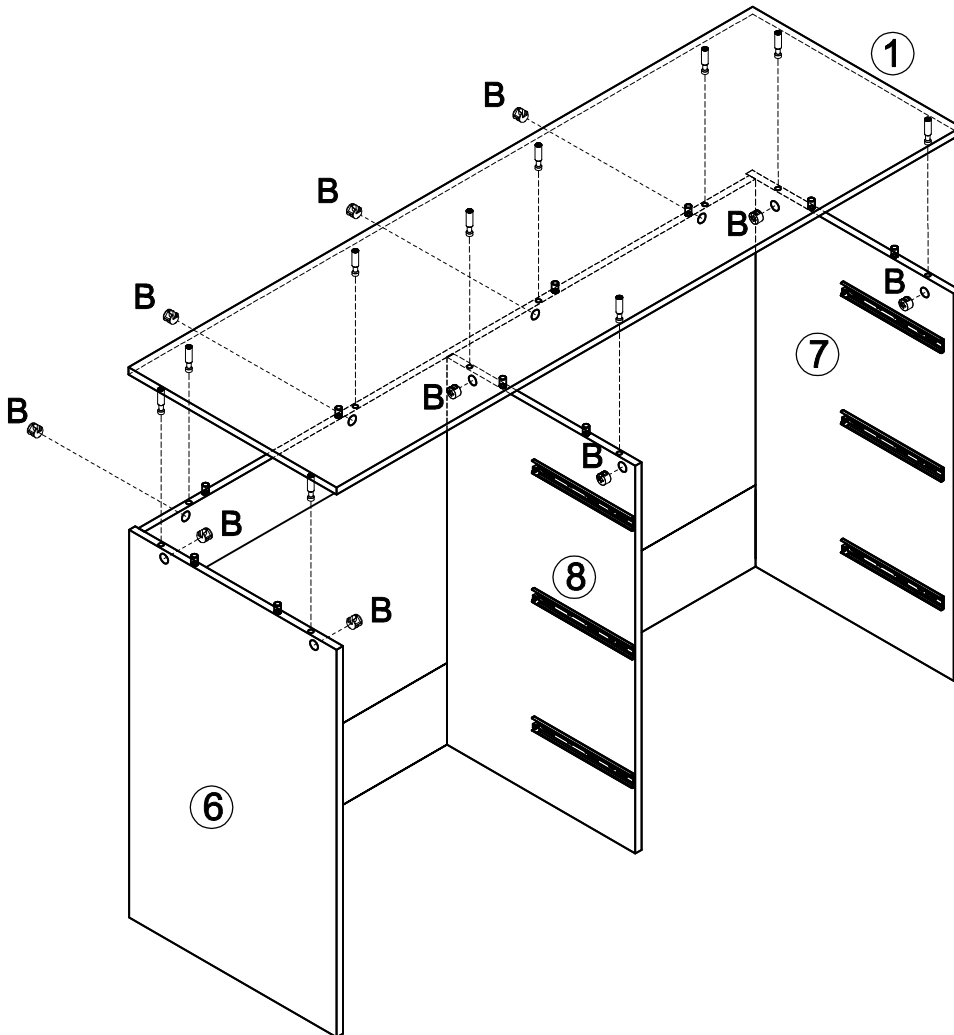


13



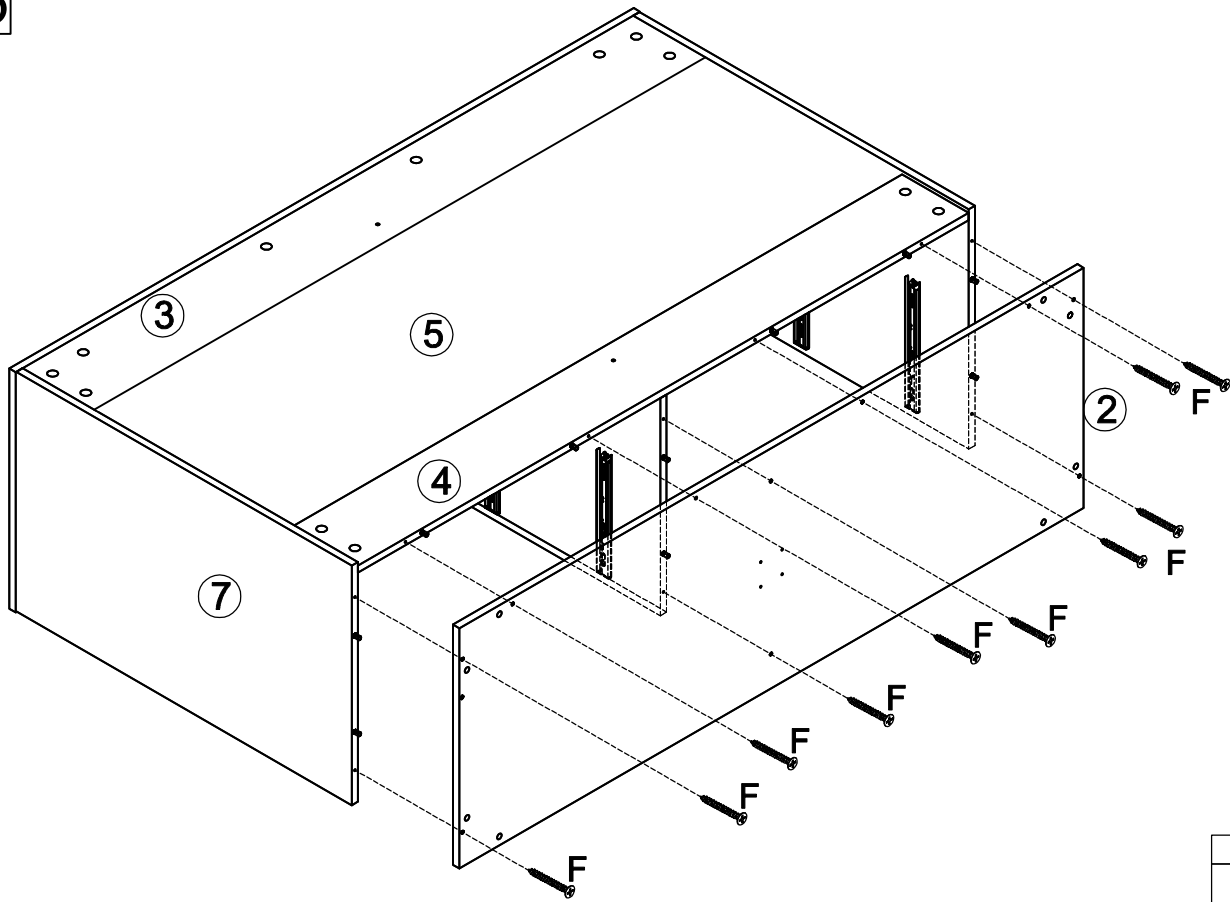
B	x4


14



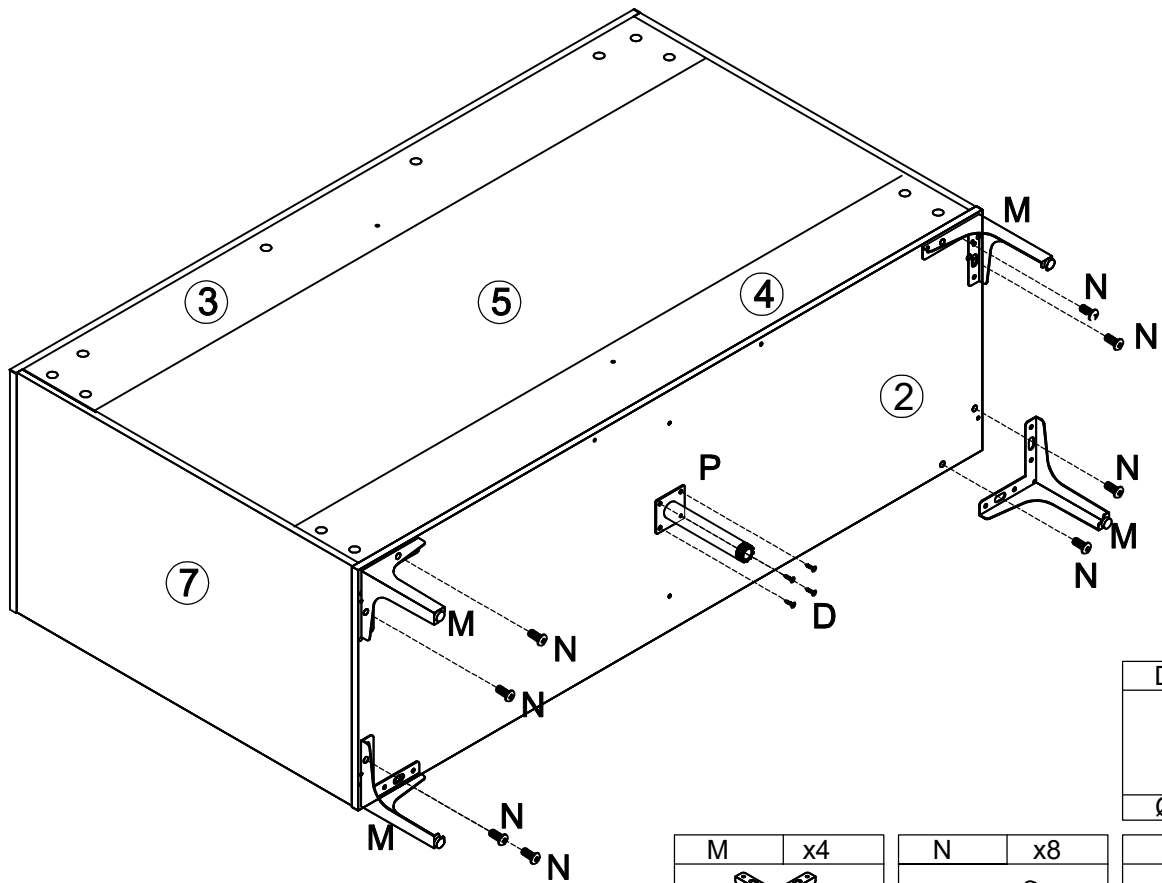
B	x10


15





F	x10
	
M4x35mm	


16



D	x4
	
Ø3.5x12mm	

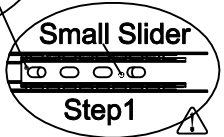
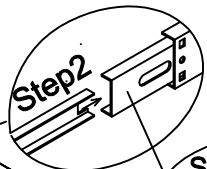
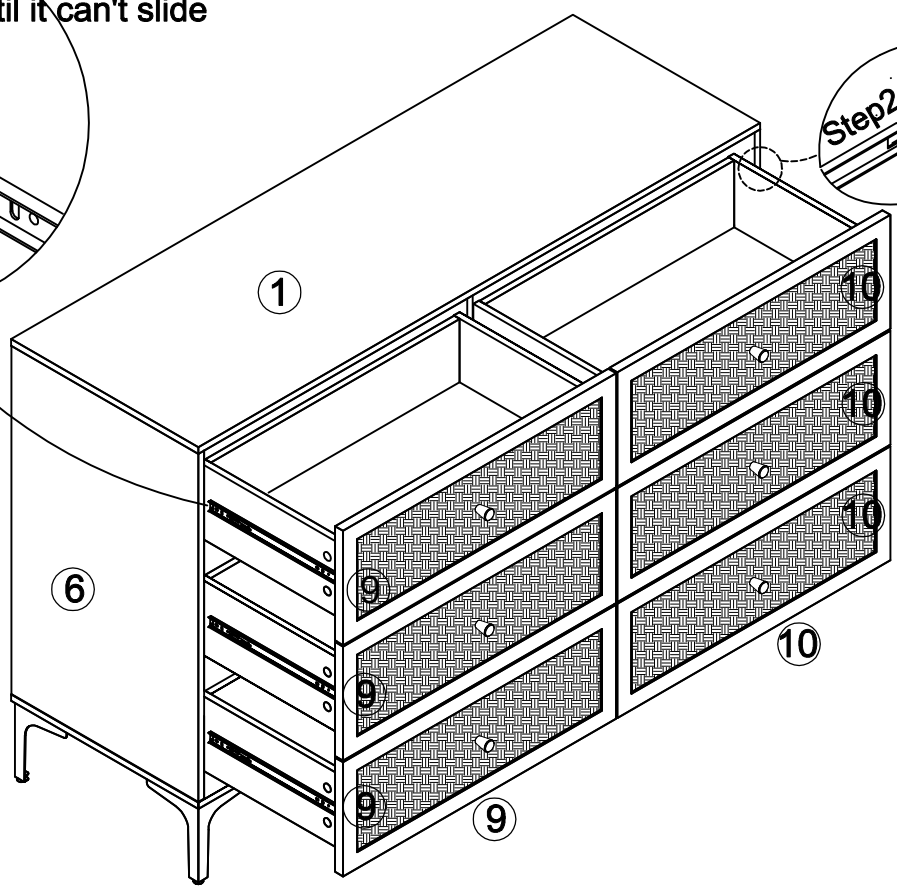
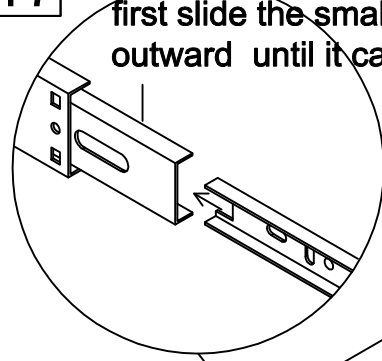
M	x4
	

N	x8
	
M8x12mm	

P	x1
	

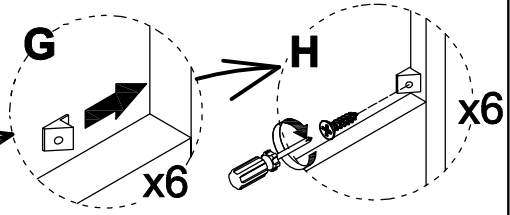
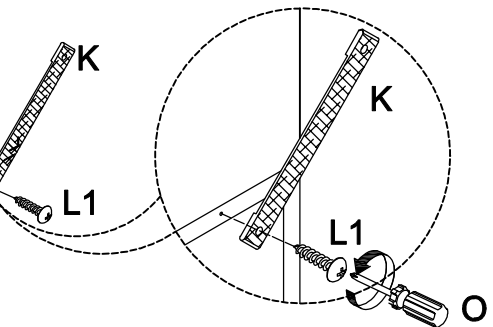
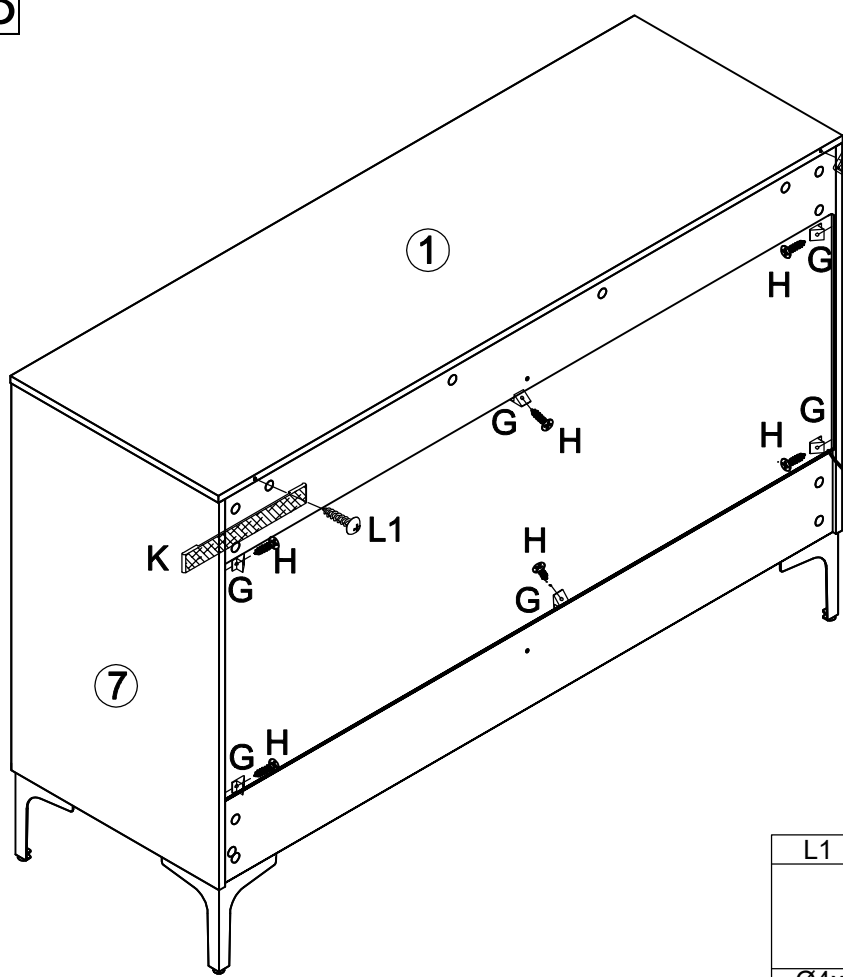
17

Same as the right side,
first slide the small slider
outward until it can't slide



First slide the
small slider
outward until
it can't slide

18

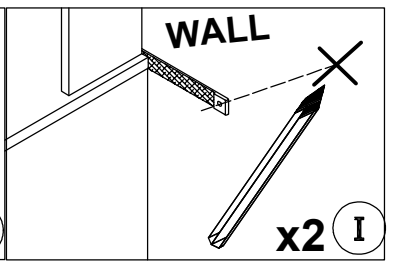
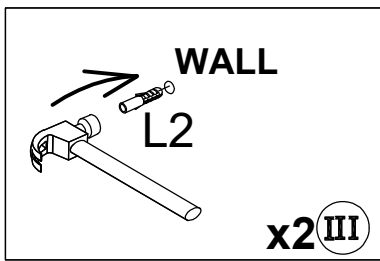


K	x2

L1	x2
Ø4x14mm	

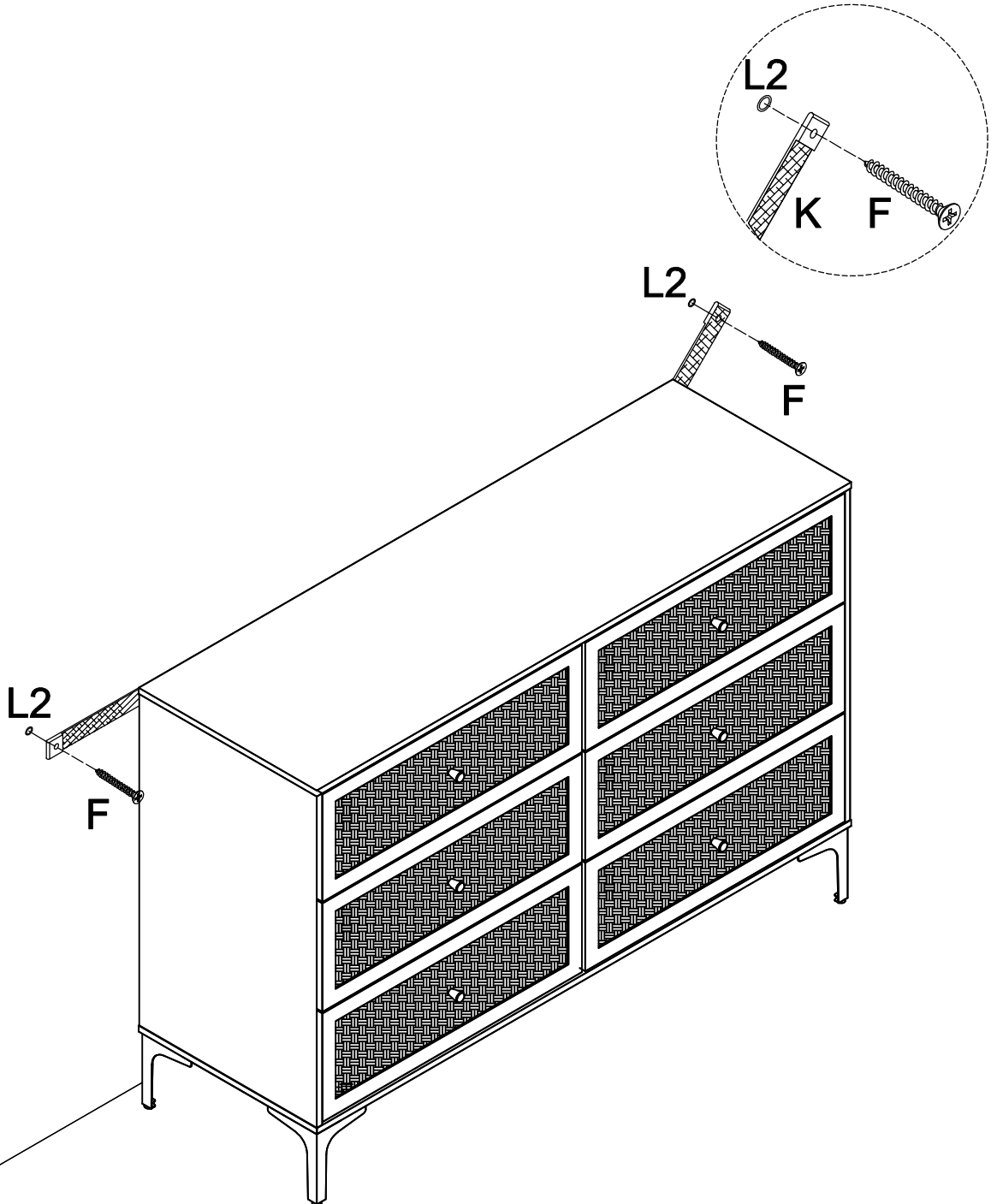
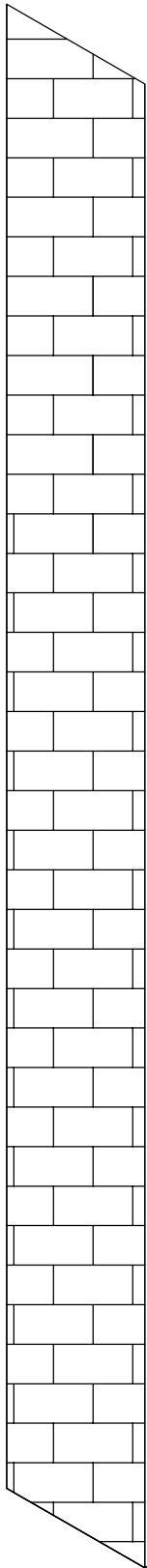
G	x6

H	x6
Ø3x16mm	



WALL

WALL



O	x1

L2	x2

F	x2
Ø4x35mm	