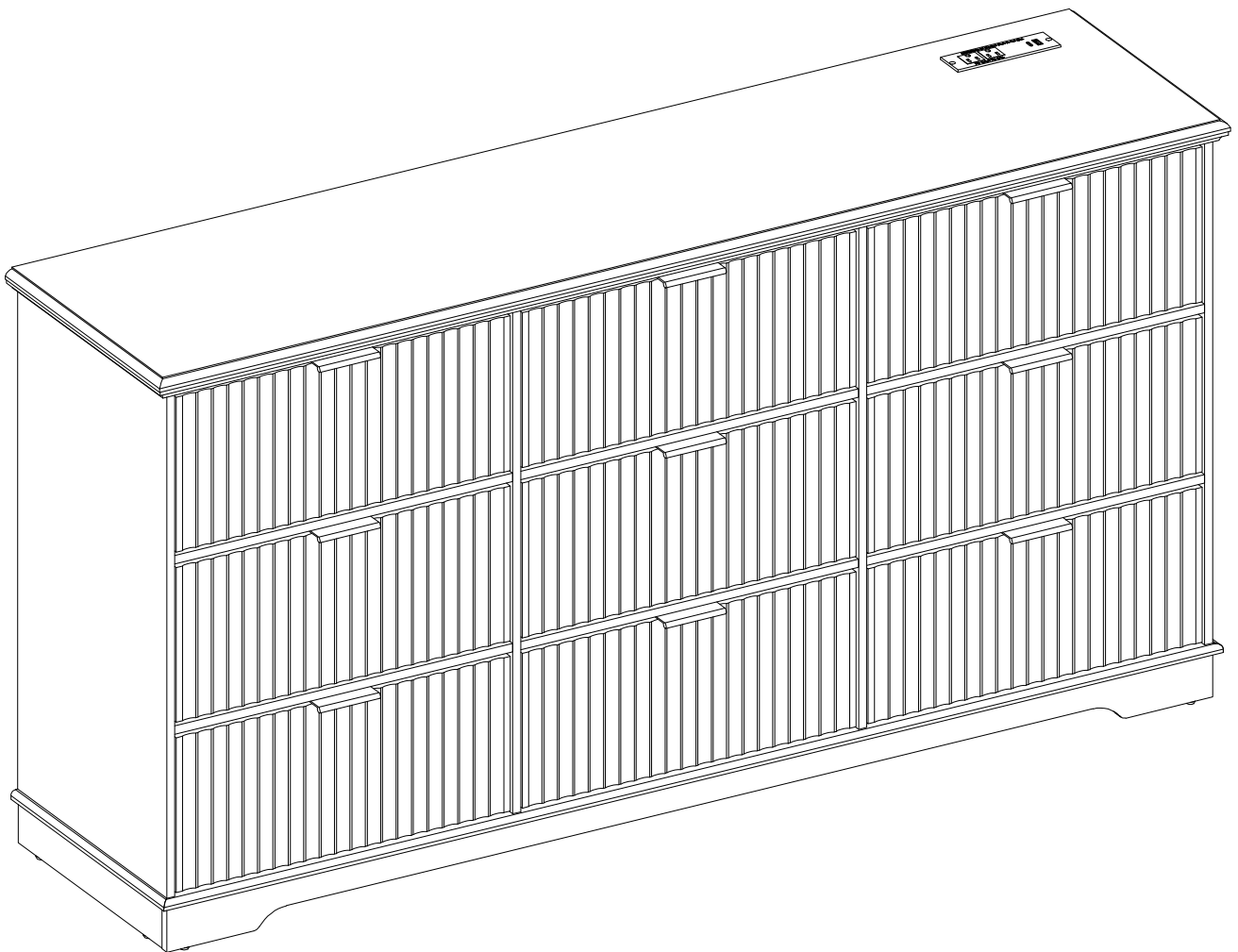


ASSEMBLY INSTRUCTIONS

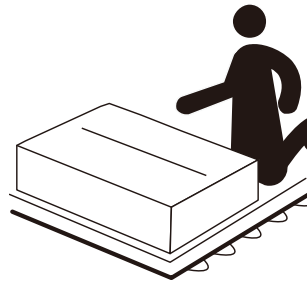


Notice:

1. Please unbox the item from the side with an open label and put a carpet on the floor to avoid scratching it.
2. Follow the installation instructions carefully. before installation, please ensure that all accessories are present. For large items, we advise you to install them with 2 or more people for faster and safer installation.
3. Do not fully tighten the screws during initial assembly. Fully tighten the screws only once all pieces are correctly assembled.
4. Do not stand, climb, or swing on the product.
5. If you encounter any problems during installation, please contact our customer service.



Recommended installers:2

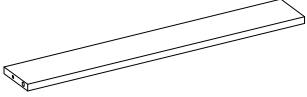
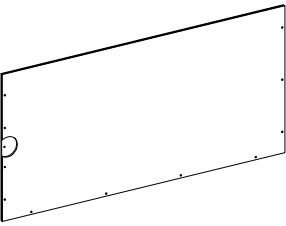
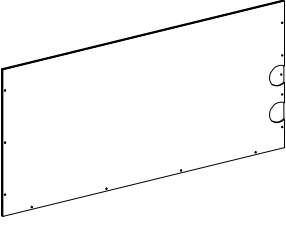
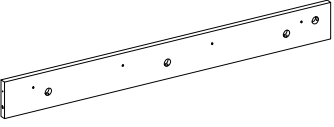
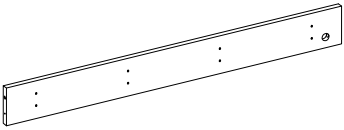
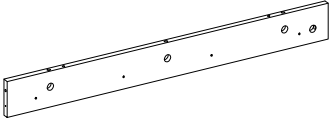
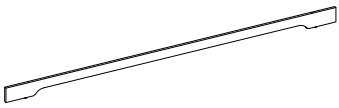
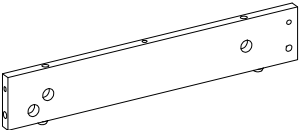
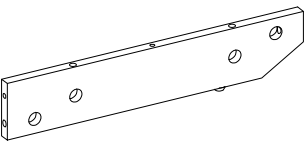
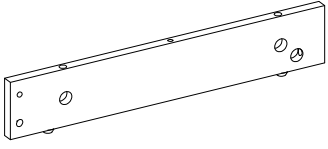


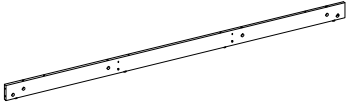
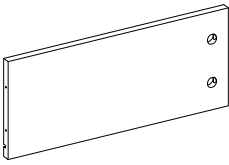
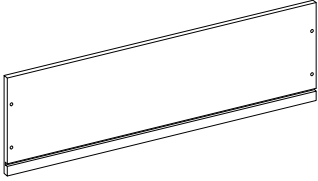
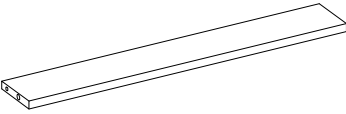
Put a carpet on the floor before unpcking

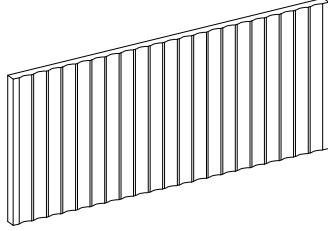
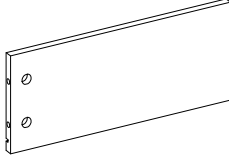
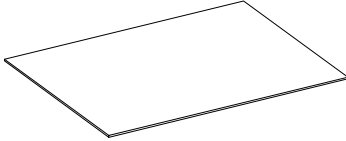
SAFETY TIPS:

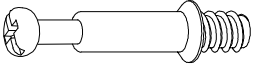
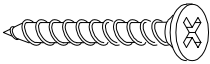
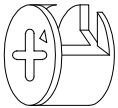
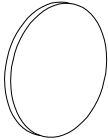
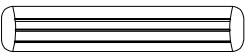
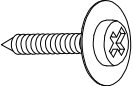
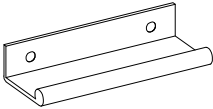

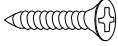
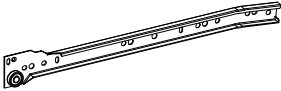
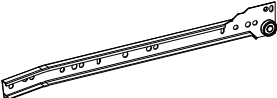
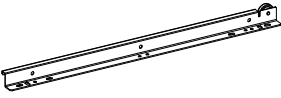
Static charge may cause dust on foam - clean with a dry or damp cloth.
 Small foam strands may be present - handle gently and dispose of properly.
 Do not burn or incinerate.
 Check local recycling guidelines.

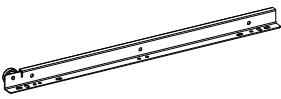

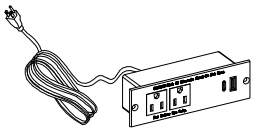
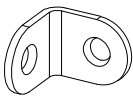

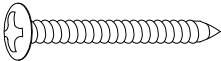

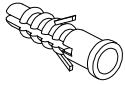
Item no.	Reference Image	Qty.	Item no.	Reference Image	Qty.
1		×1	2		×1
3		×1	4		×1
5		×1	6		×1


Item no.	Reference Image	Qty.	Item no.	Reference Image	Qty.
7		×4	8		×1
9		×1	10		×1
11		×1	12		×1
13		×1	14		×1
15		×2	16		×1

Item no.	Reference Image	Qty.
17		×1
19		×9
21		×9
23		×2

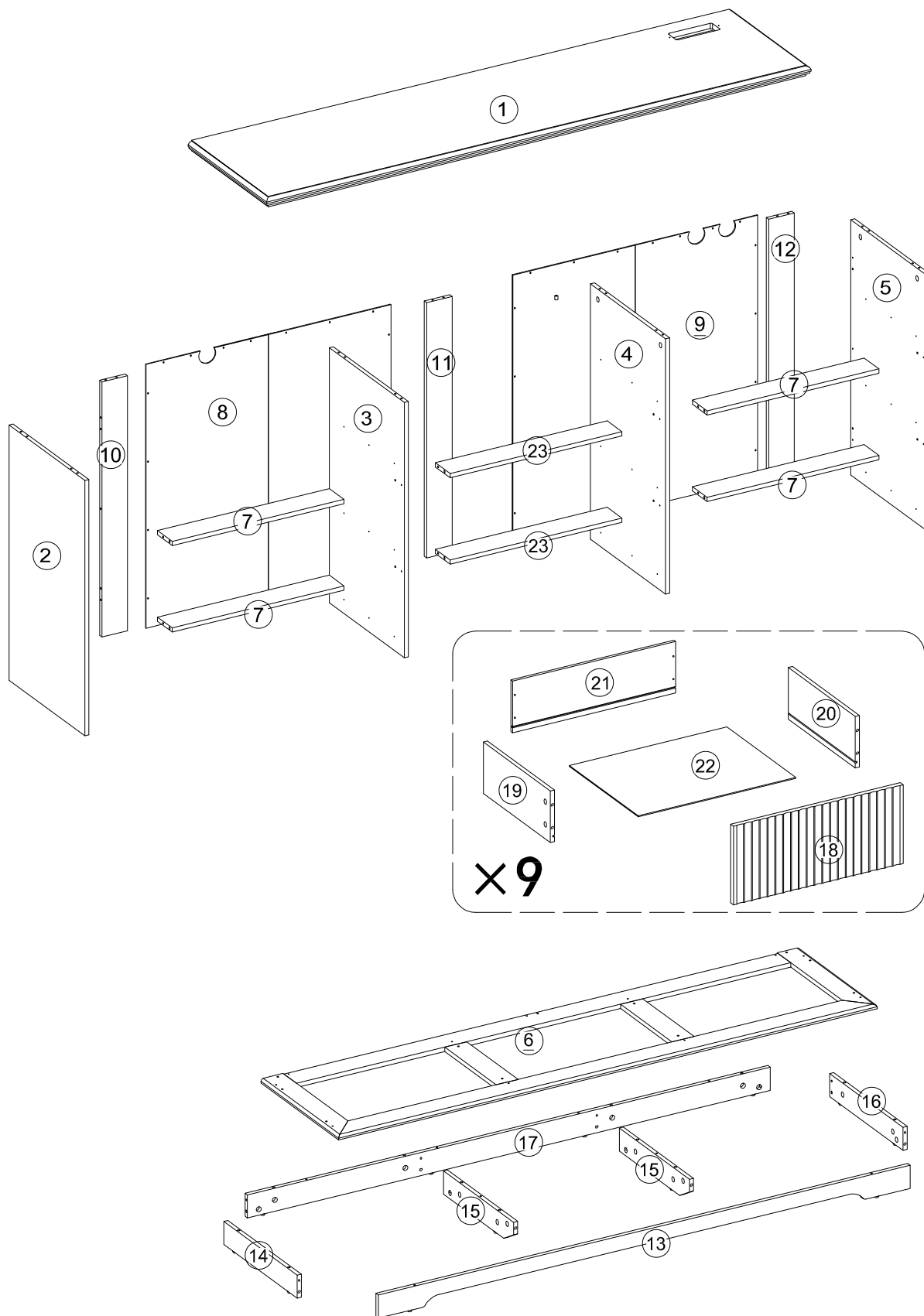
Item no.	Reference Image	Qty.
18		×9
20		×9
22		×9

Item no.	Reference Image	Qty.	Item no.	Reference Image	Qty.
A		× 85+2	B	 φ4x38mm	× 36+2
C	 φ15x9.5mm	× 85+2	D	 φ30mm	× 85+2
E	 φ6x30mm	× 54+2	F	 φ3x12mm	× 42+2
G	 90mmL	× 9	H	 φ3.5x12mm	× 20+2
I	 φ3.5x12mm	× 116+2	CL		× 9
CR		× 9	DL		× 9

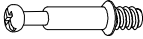
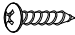

Item no.	Reference Image	Qty.	Item no.	Reference Image	Qty.
DR		× 9	N	 ø4x44mm	× 11₊₂
O		× 1	P	 20x20mm	× 4
Q		× 2	R	 ø4x35mm	× 2
S	 ø4x12mm	× 2	T		× 2

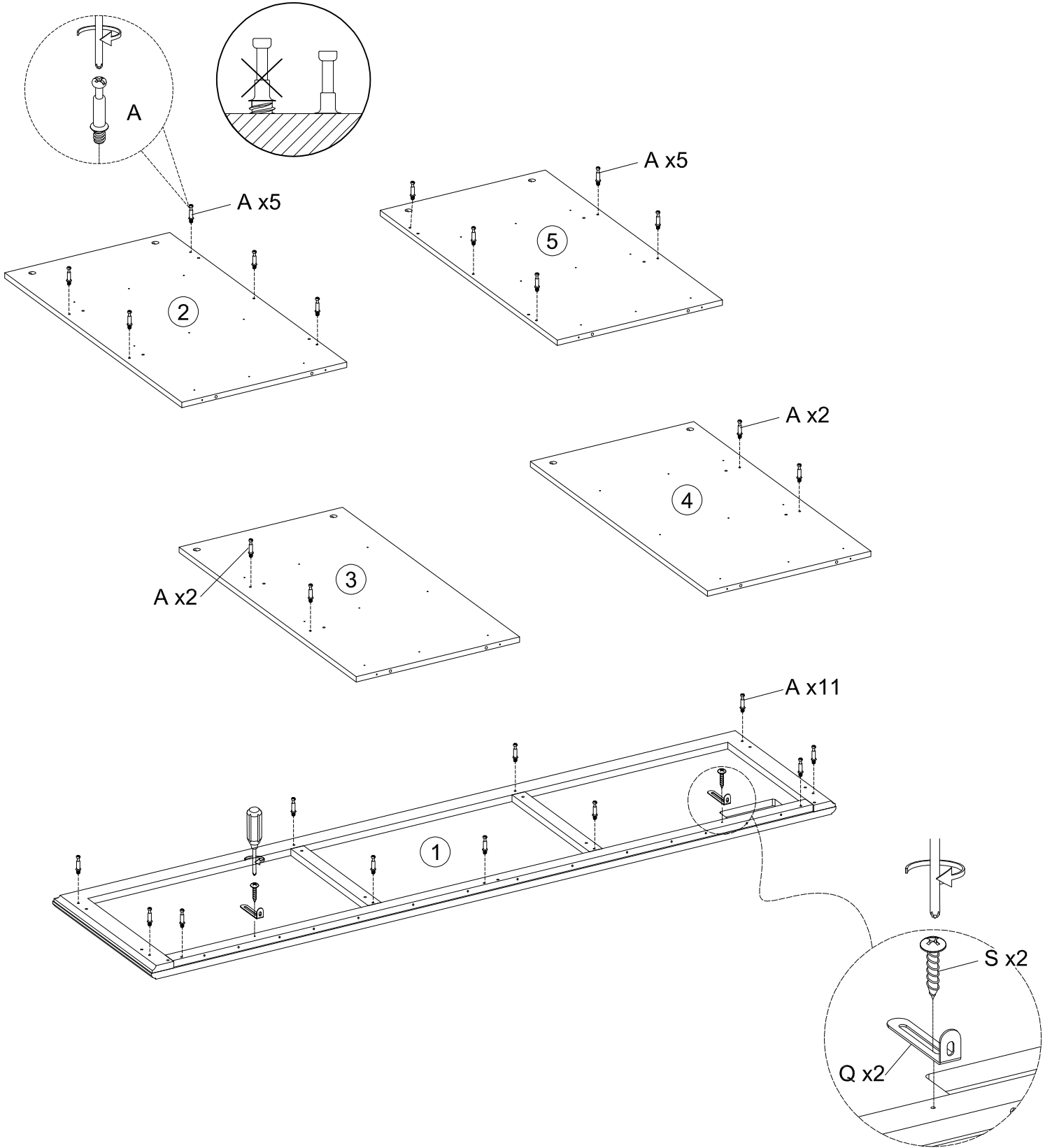
 **Tips:** The number after "+" represents the spare hardware.

Explosion Diagram

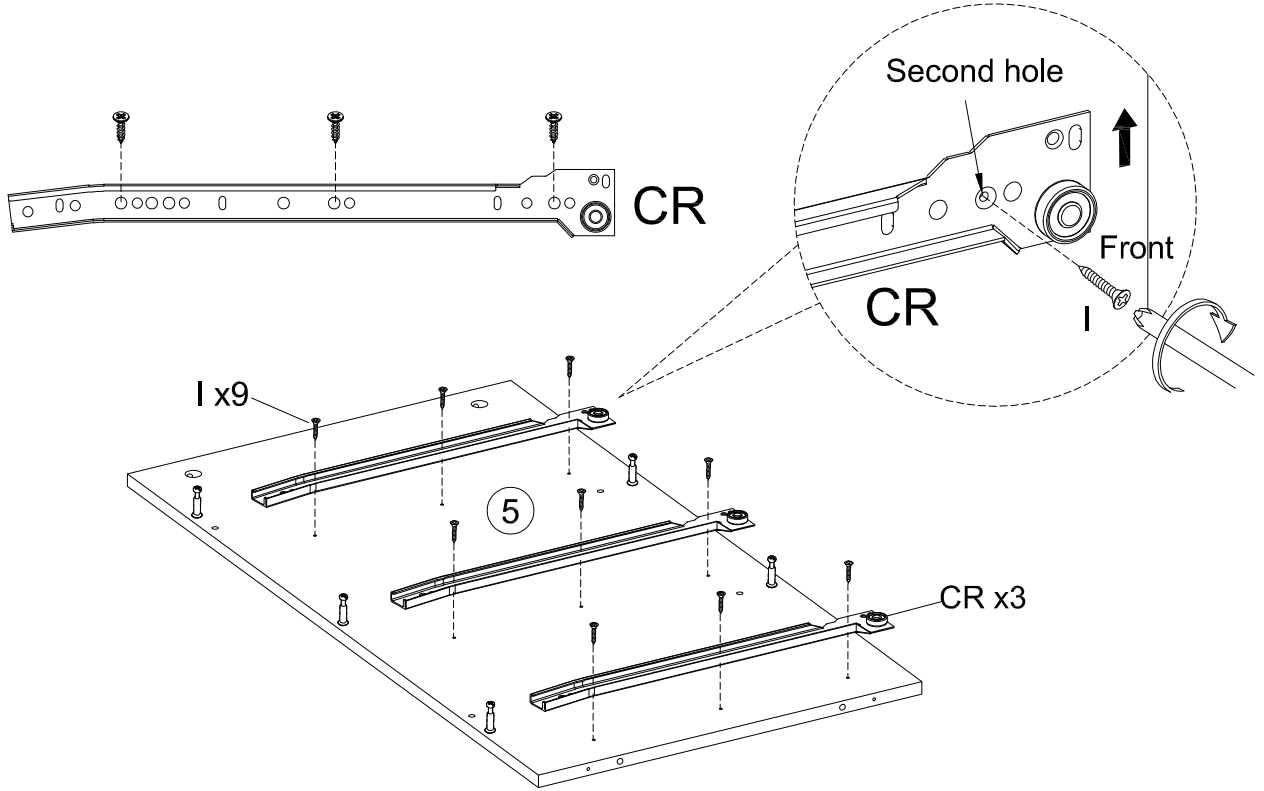
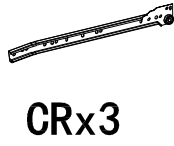
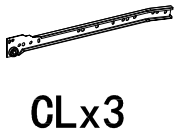


1

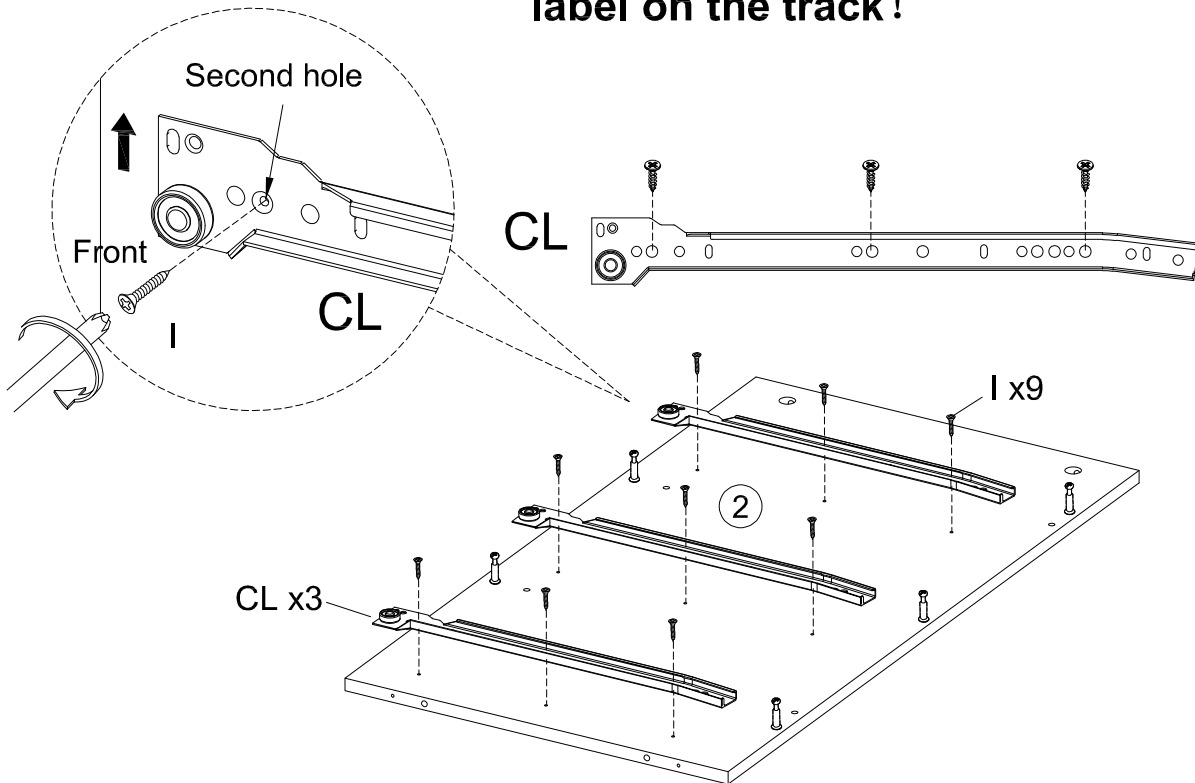
		
A x 25	S x 2	Q x 2



2



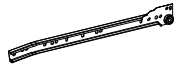
Note the CL or CR stamped label on the track!



3



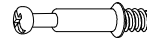
CLx3



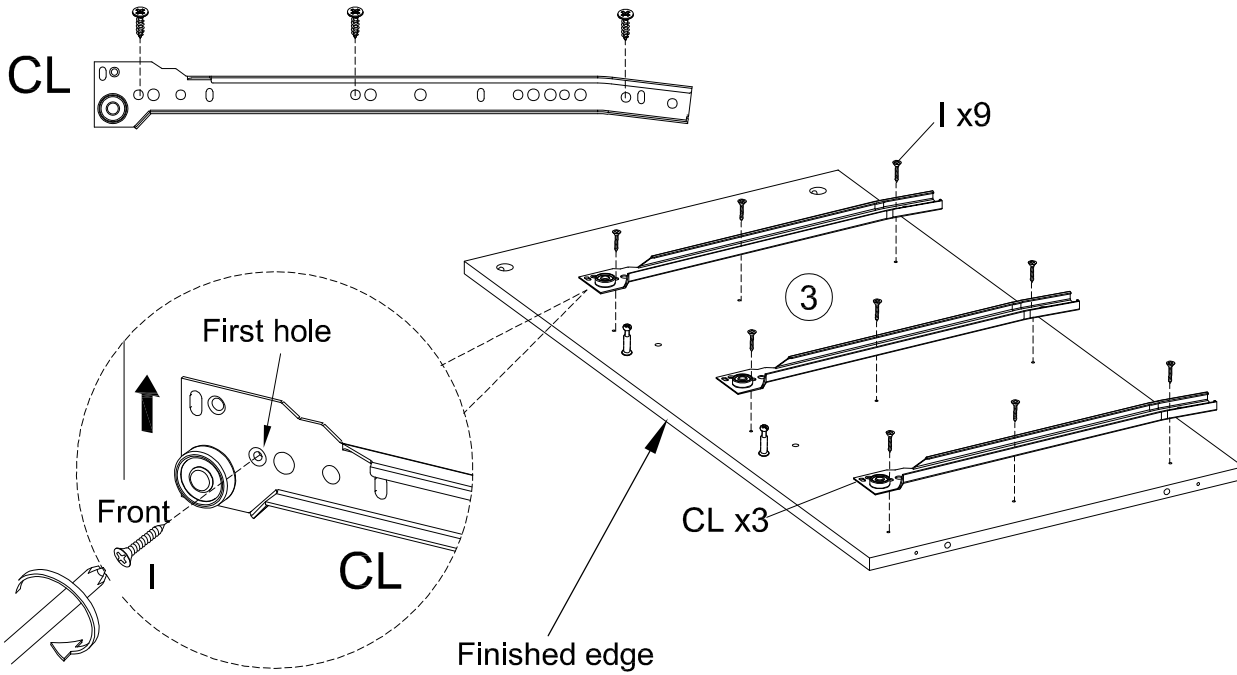
CRx3



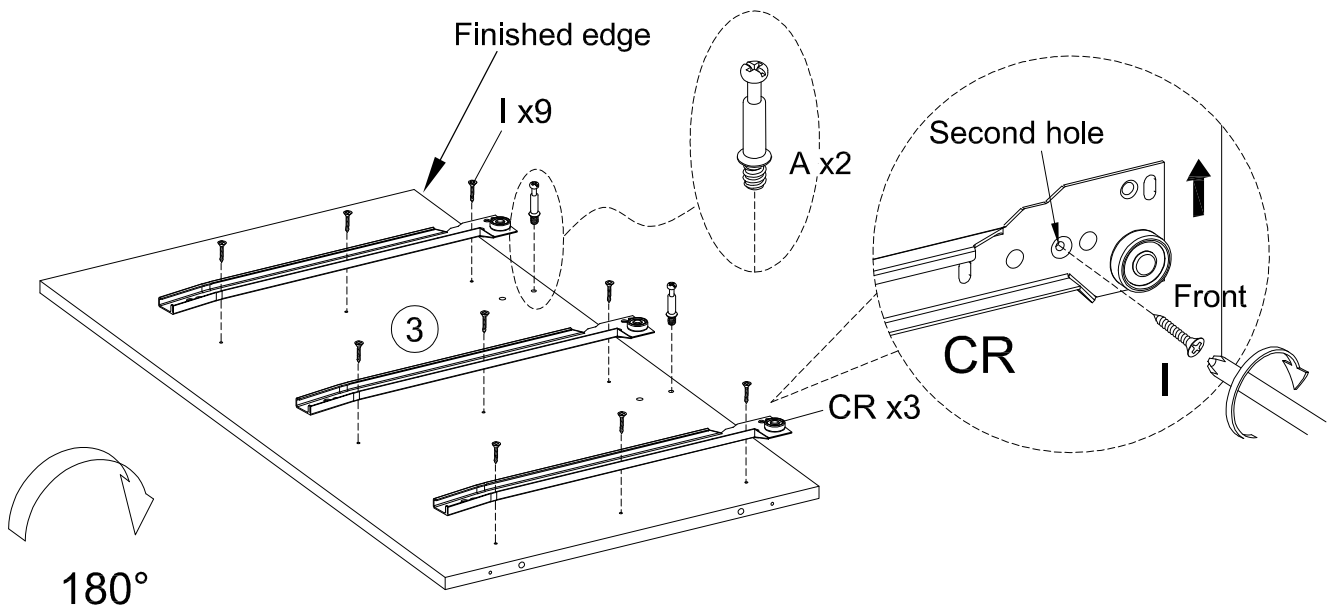
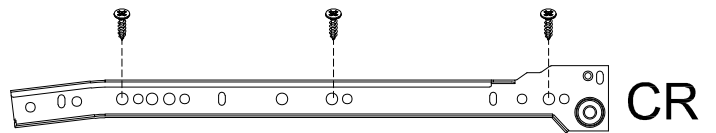
Ix18



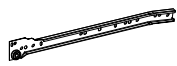
Ax2



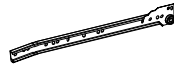
Note the CL or CR stamped label on the track !



4



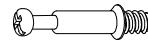
CLx3



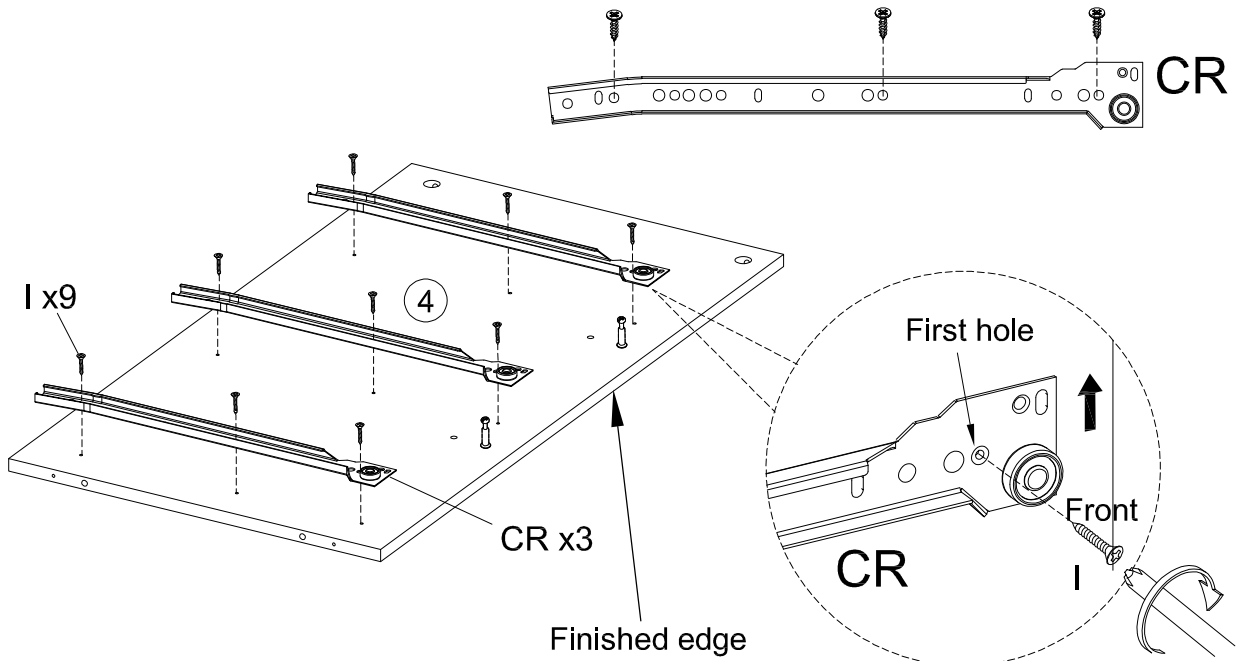
CRx3



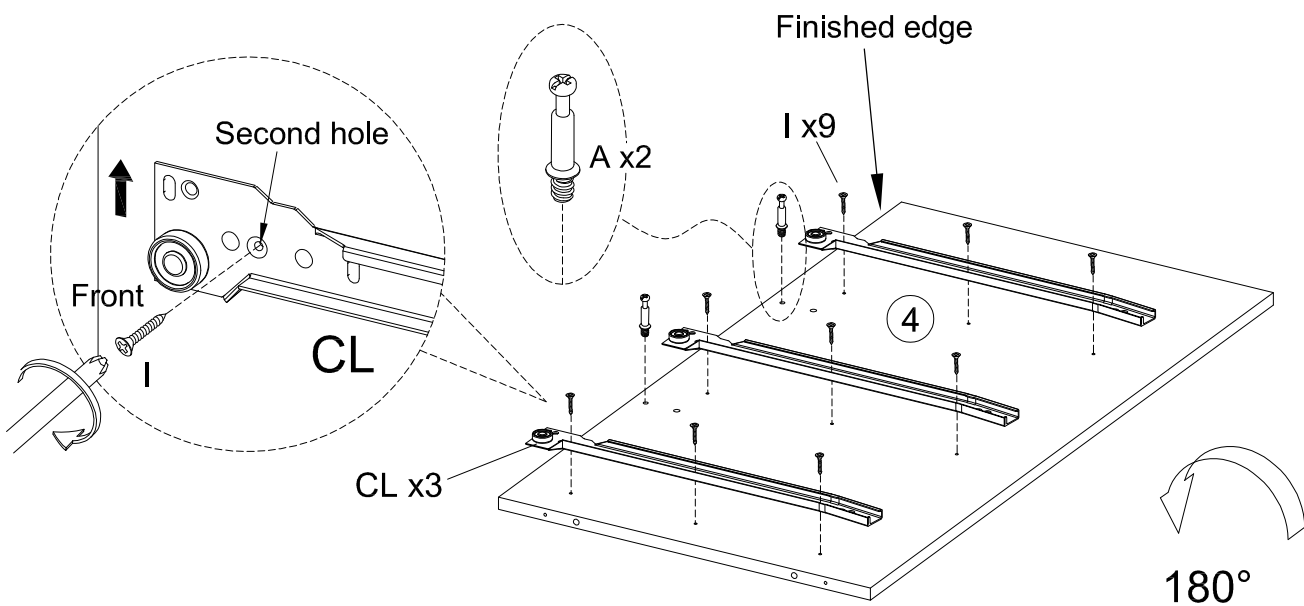
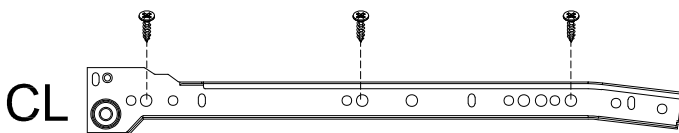
Ix18





Ax2

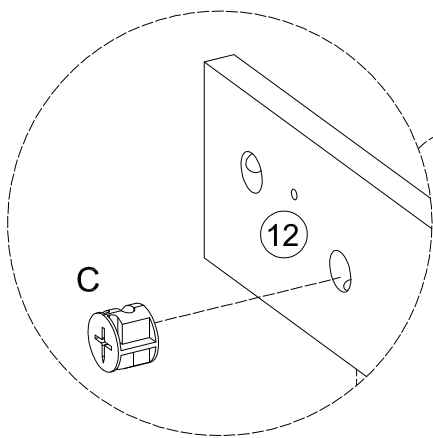
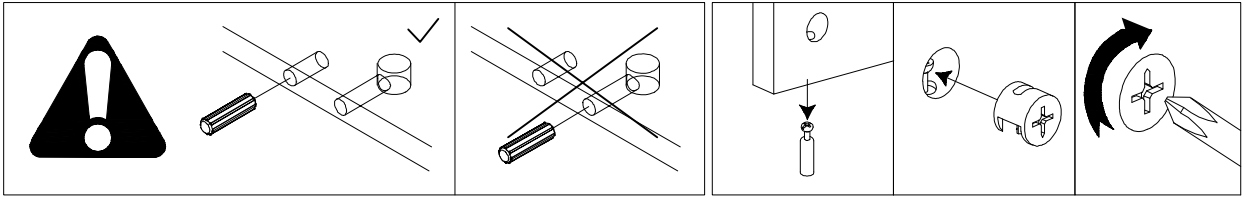


Note the CL or CR stamped label on the track !

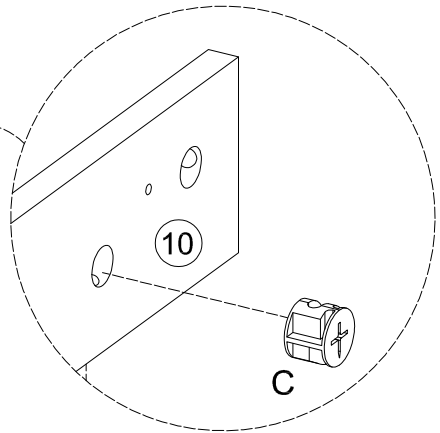
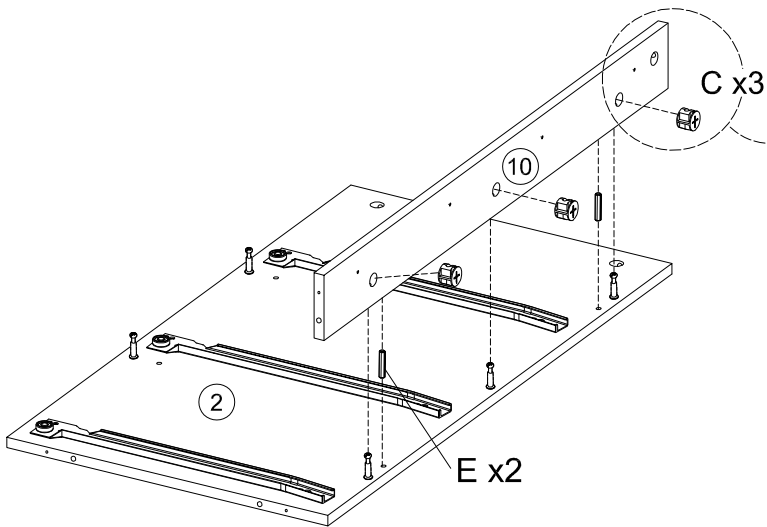
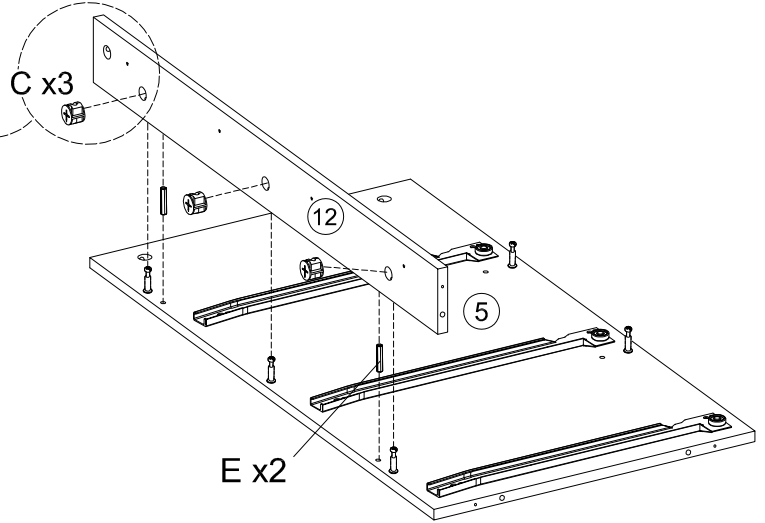


5

 **Cx6**  **Ex4**




Note the hole direction.




Note the hole direction.

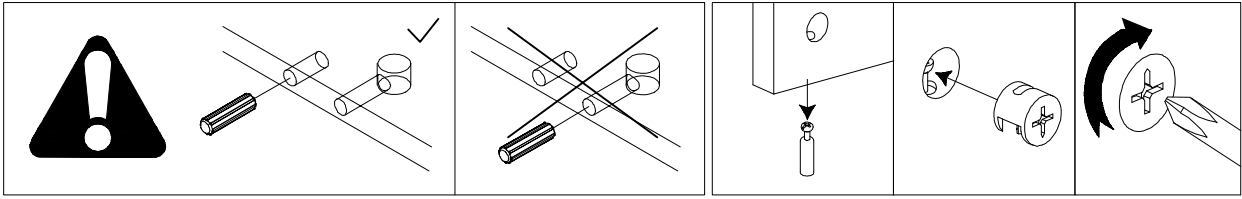
6



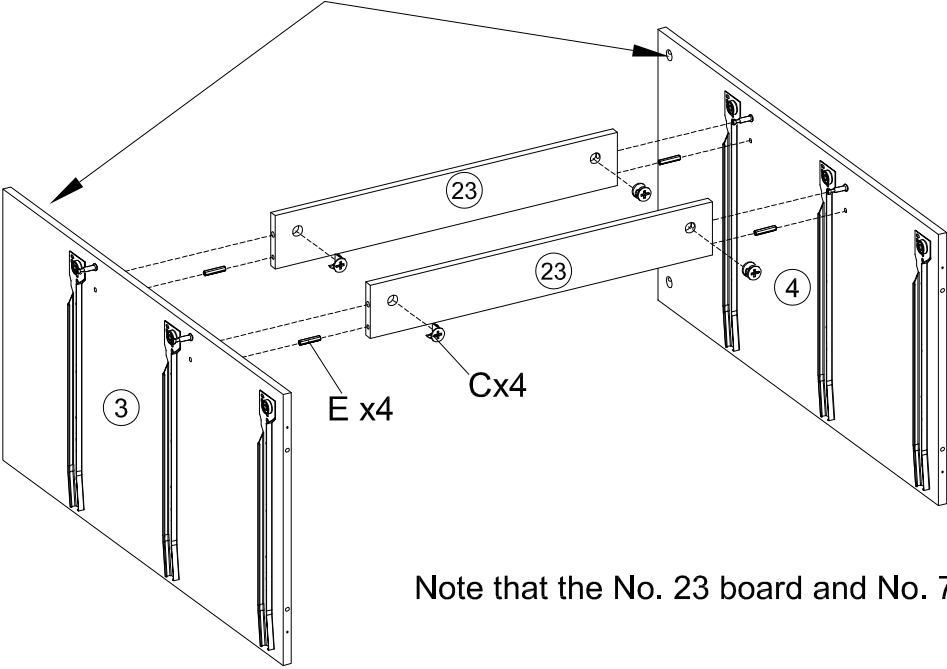
Cx8



Ex8

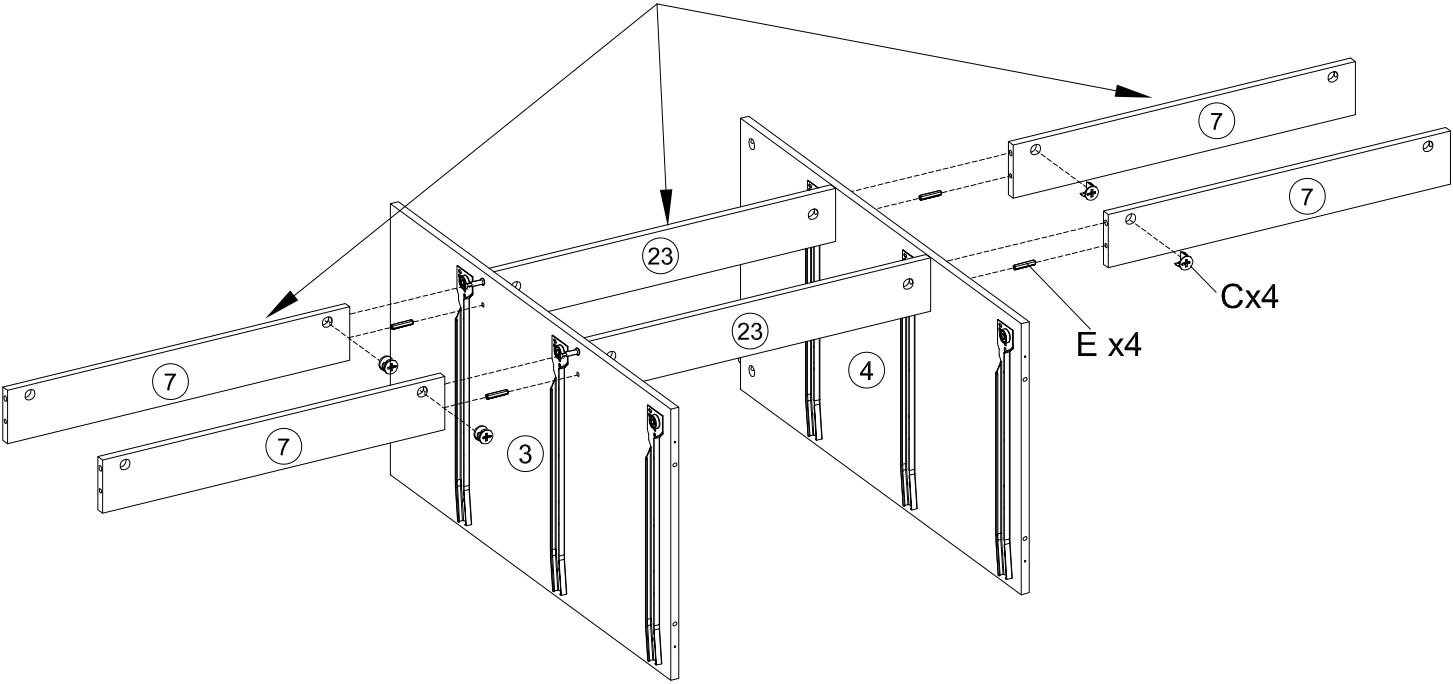


The cam locks face inward




Note that the No. 23 board and No. 7 board is different.


Flush



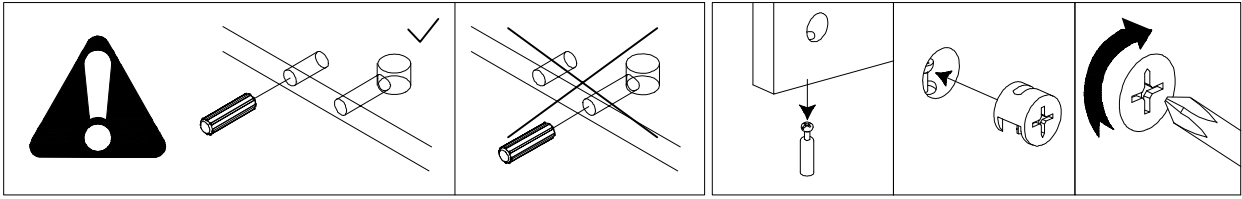
7



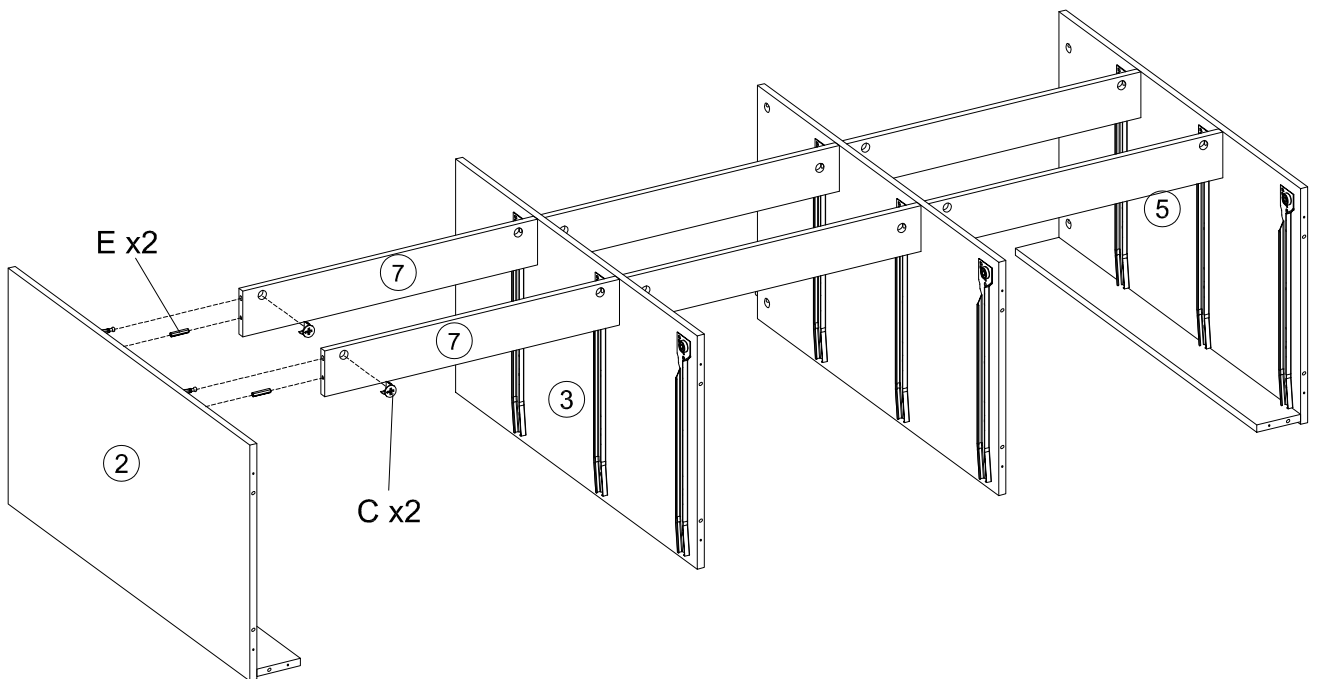
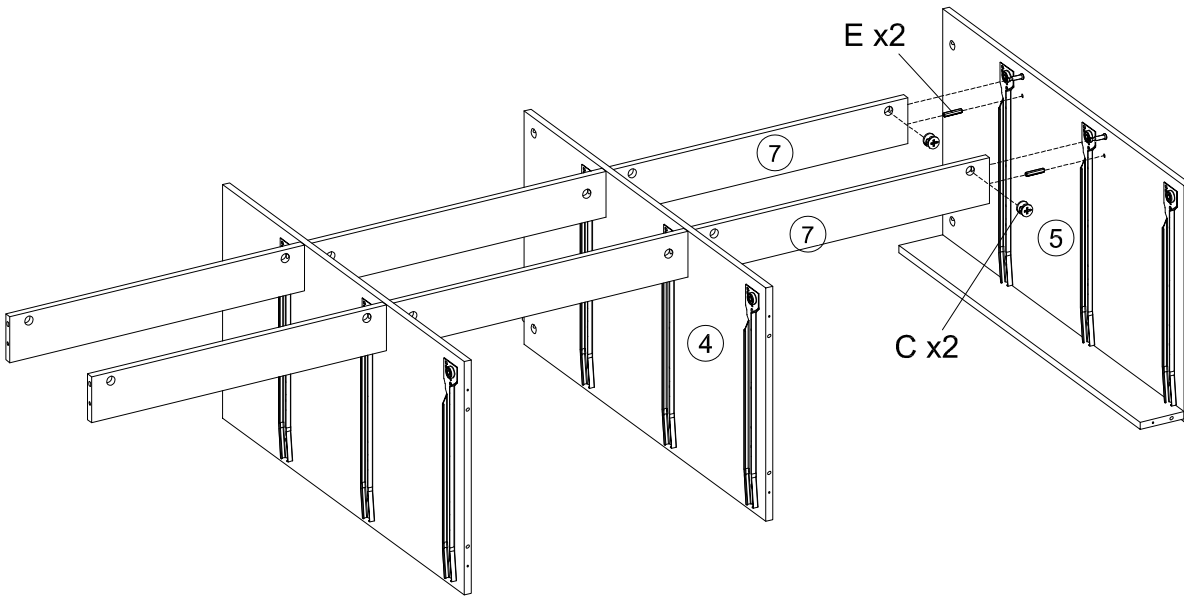
Cx4



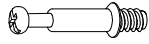
Ex4



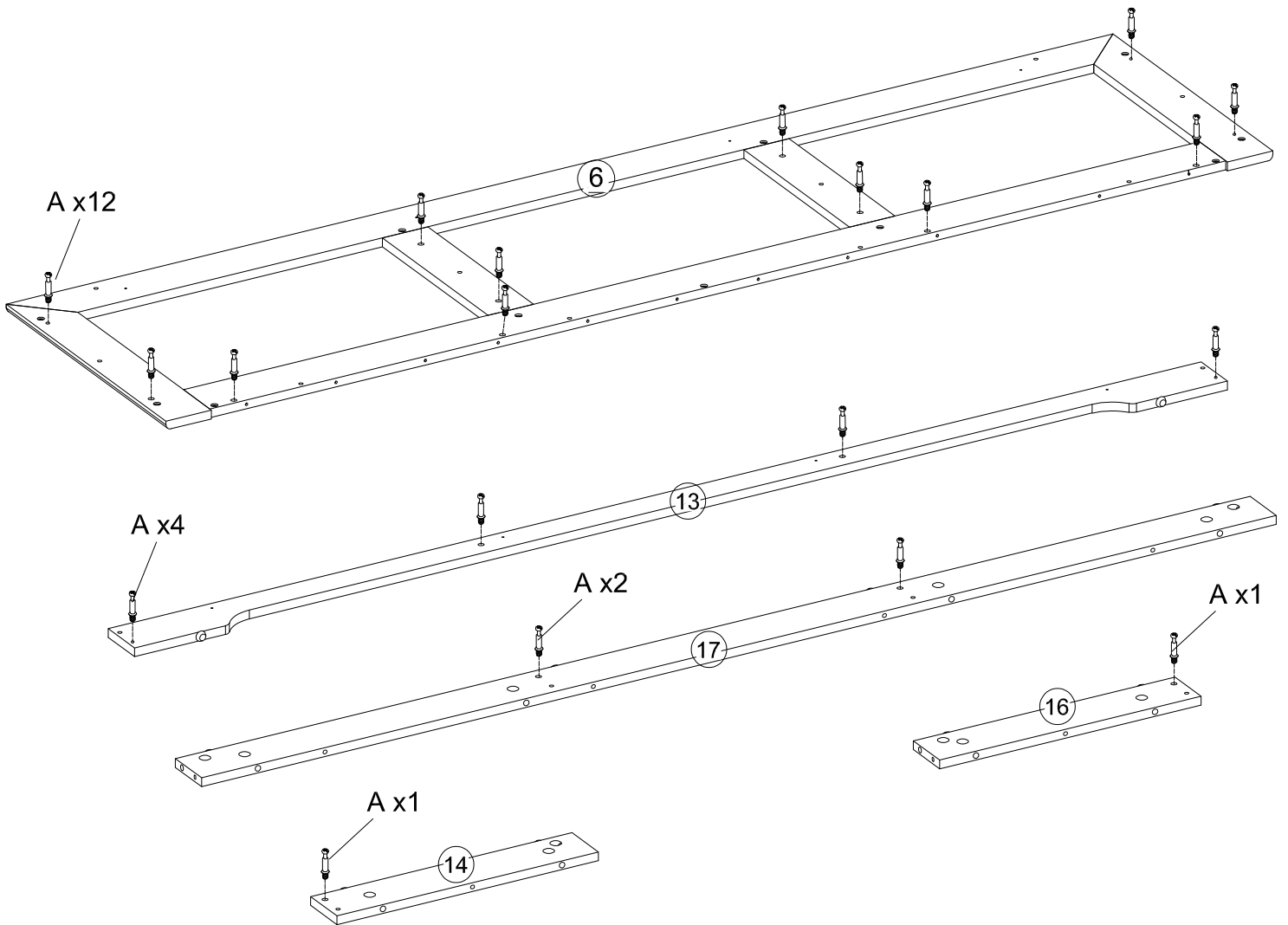
An assistance is required with this step.



8

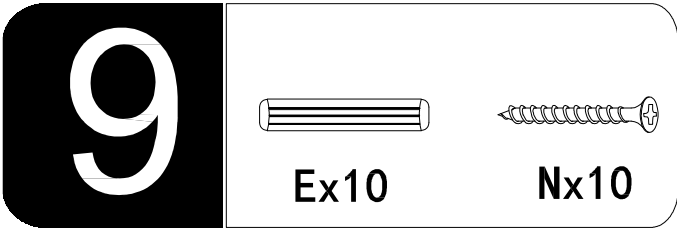


Ax20

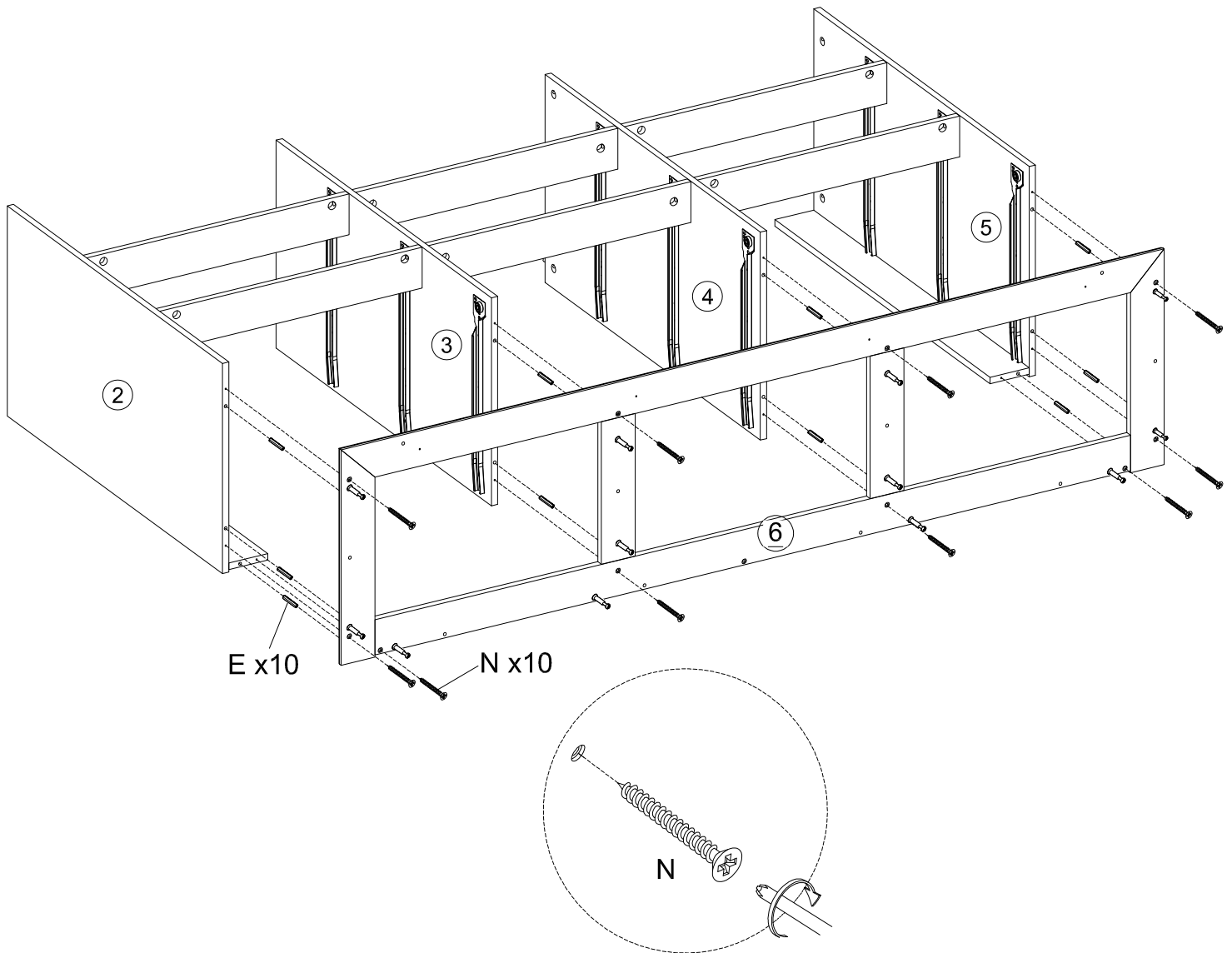


9

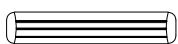
E x 10 **N x 10**



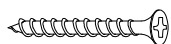
An assistance is required with this step.



10

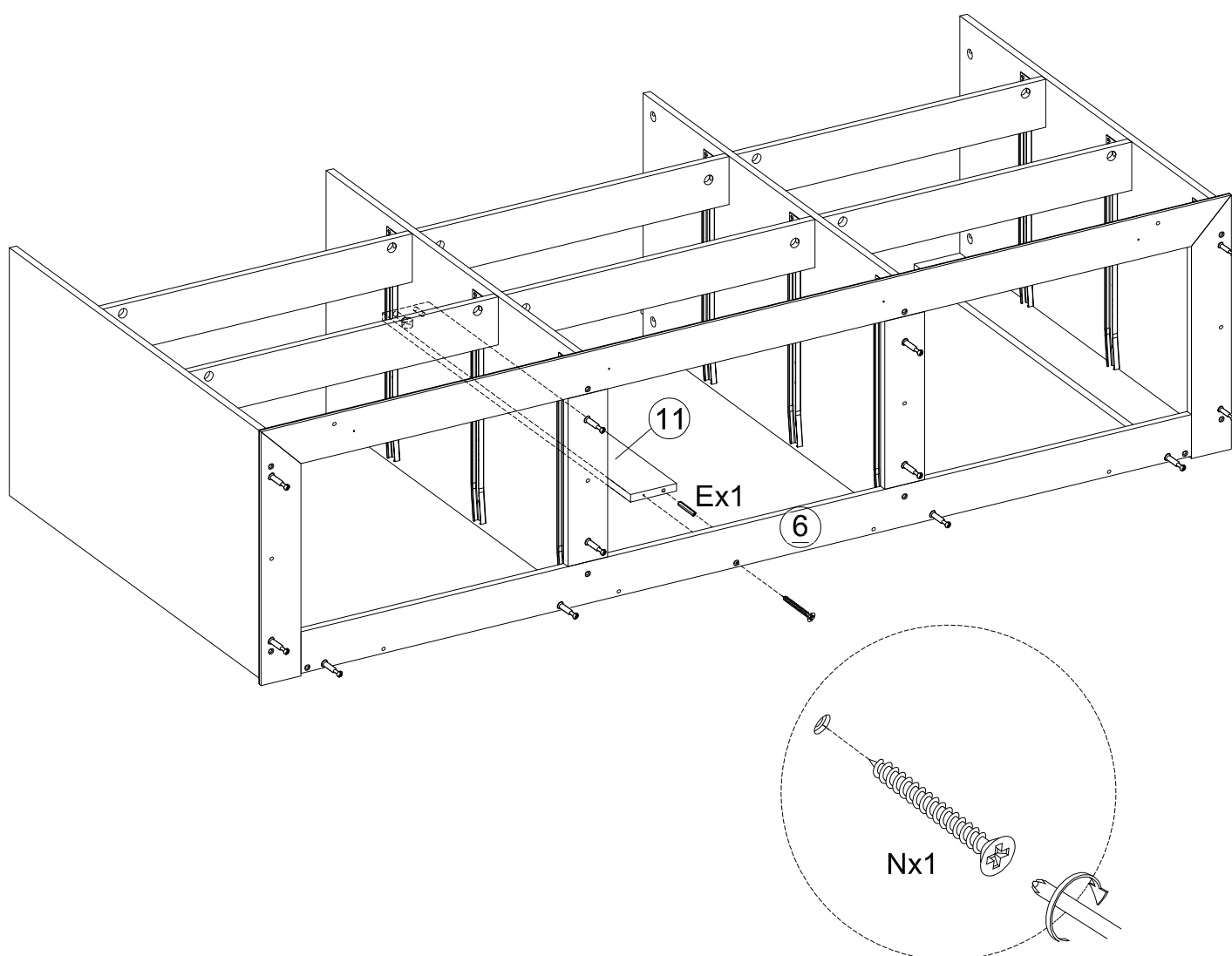


Ex1



Nx1

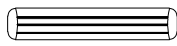
The NO.11 pilot holes for back panel faces down



11



Cx8



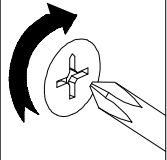
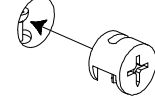
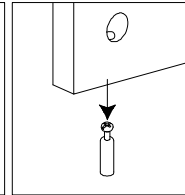
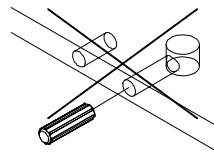
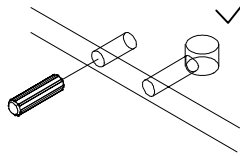
Ex6



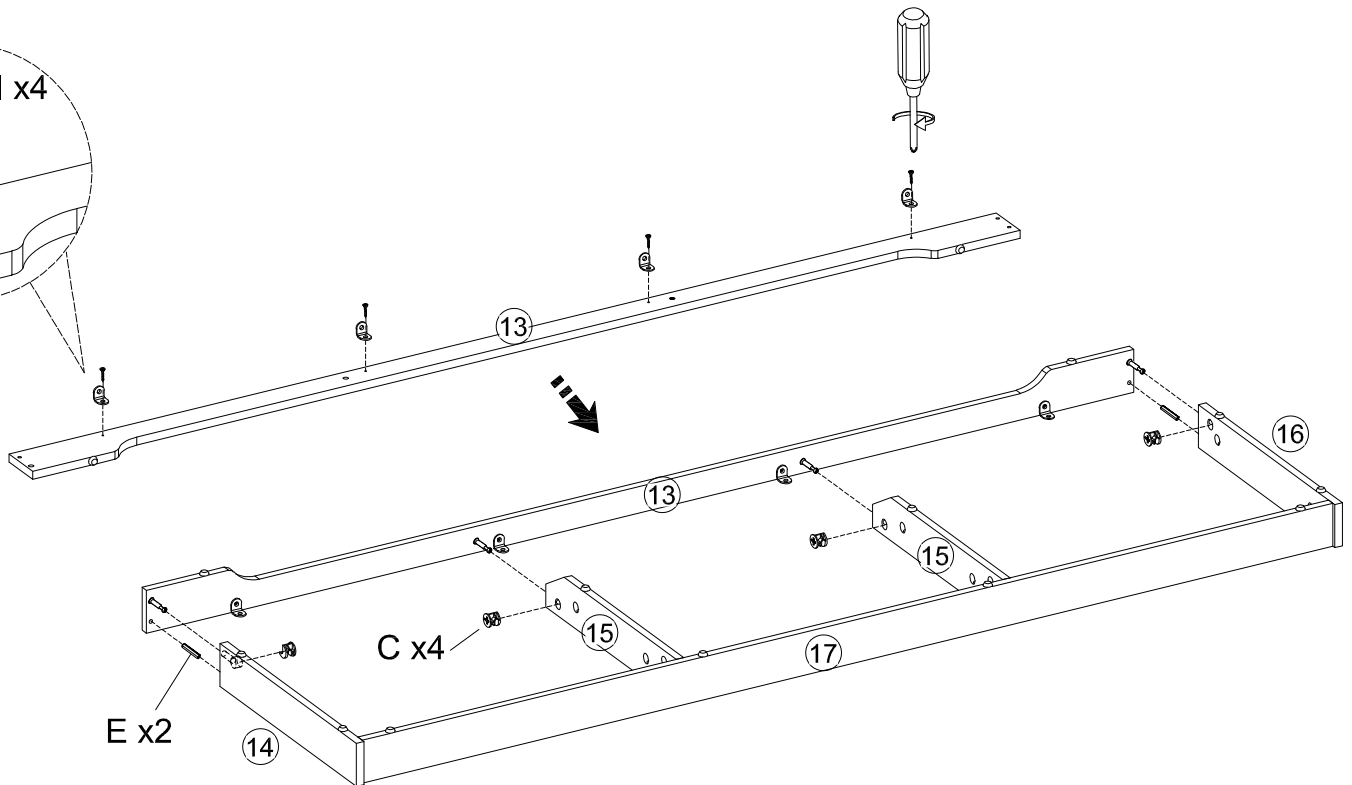
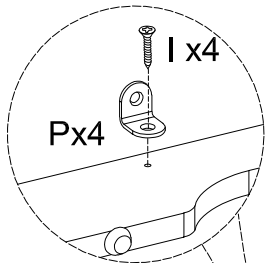
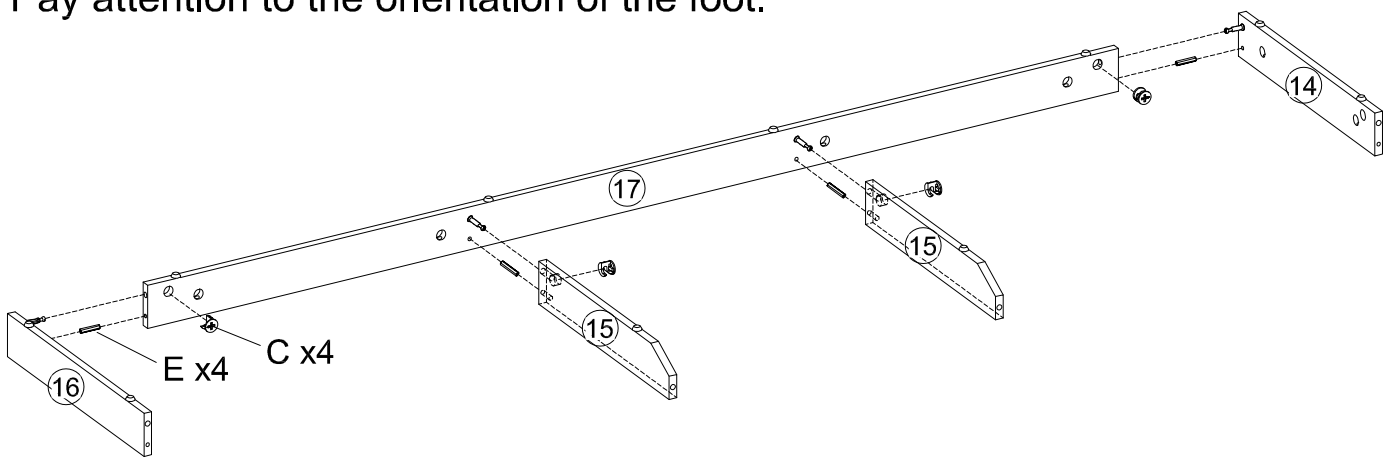
Px4



Ix4



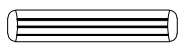
Pay attention to the orientation of the foot.



12



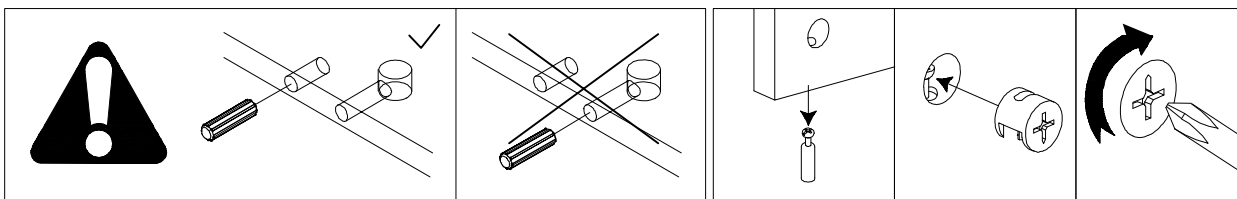
Cx12



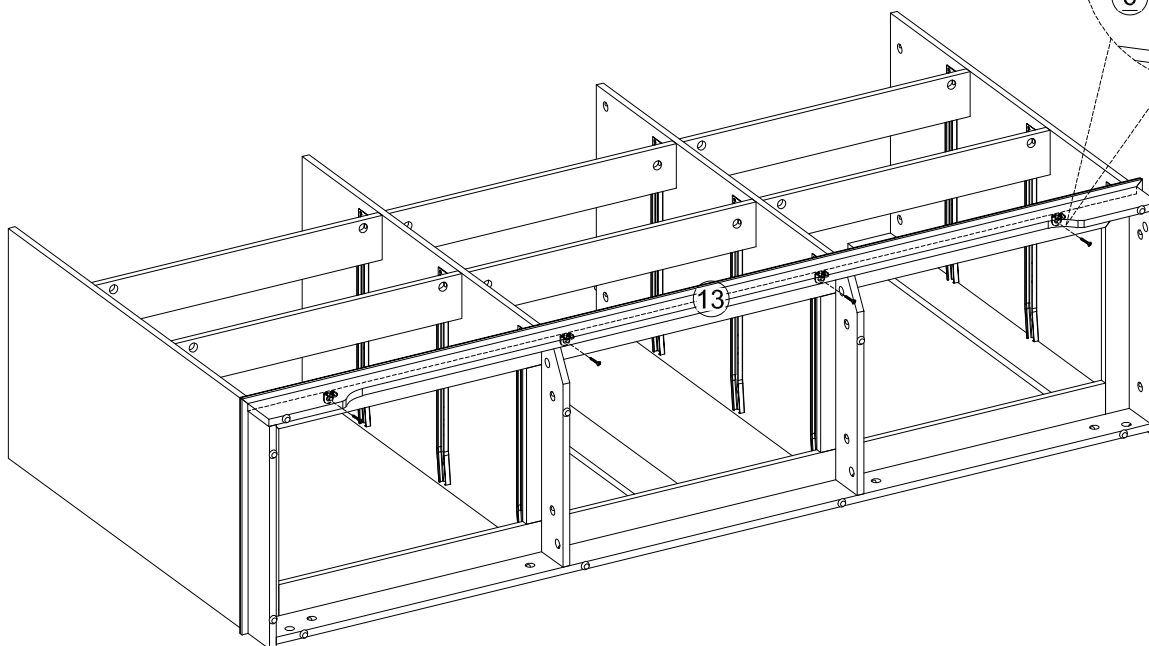
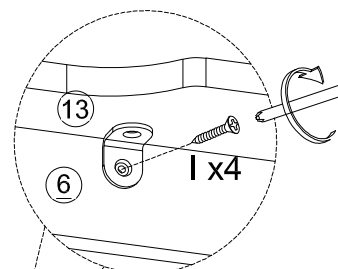
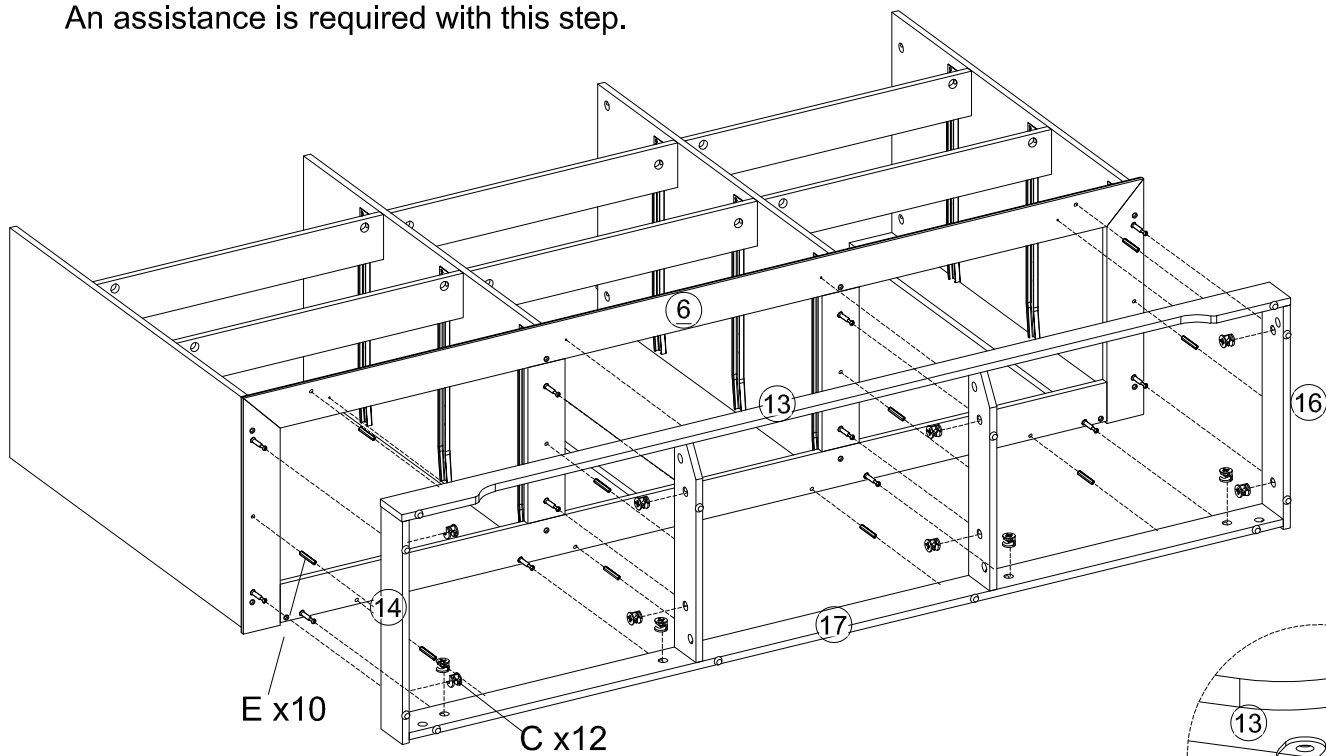
Ex10



Ix4



An assistance is required with this step.



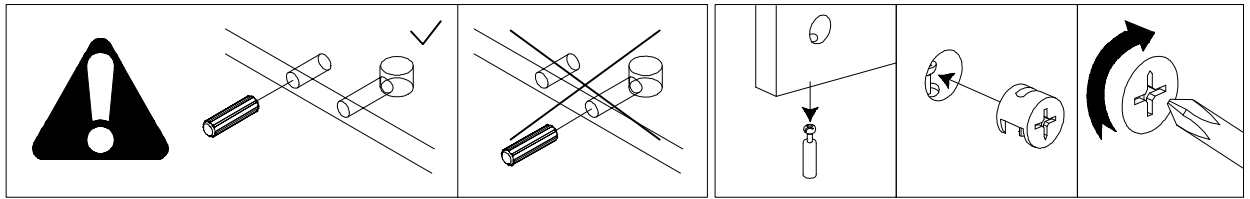
13



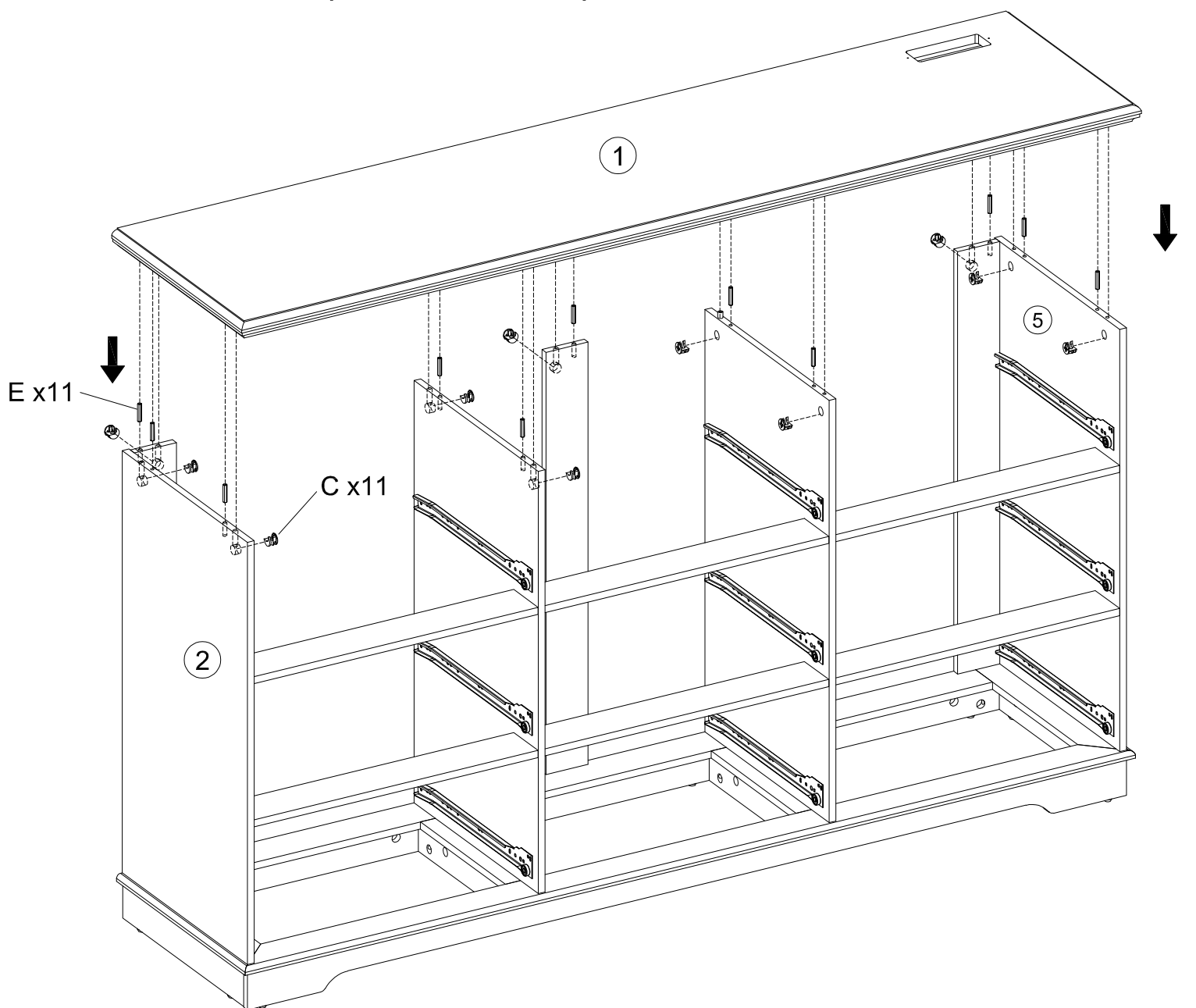
Cx11



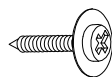
Ex11



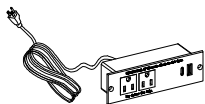
An assistance is required with this step.



14



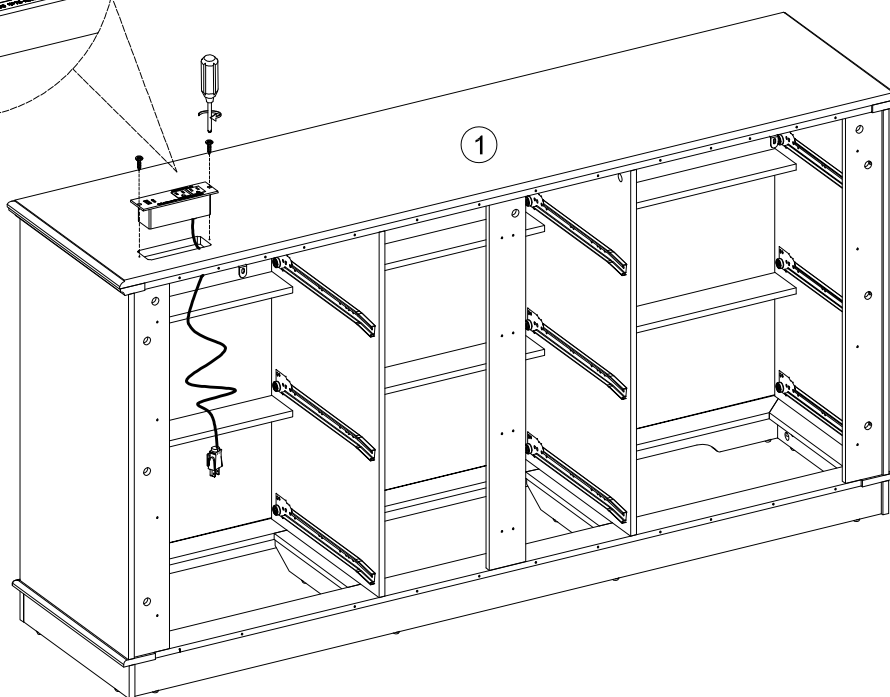
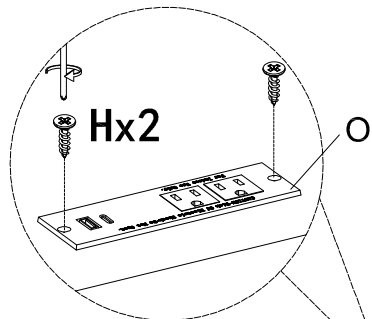
Fx42



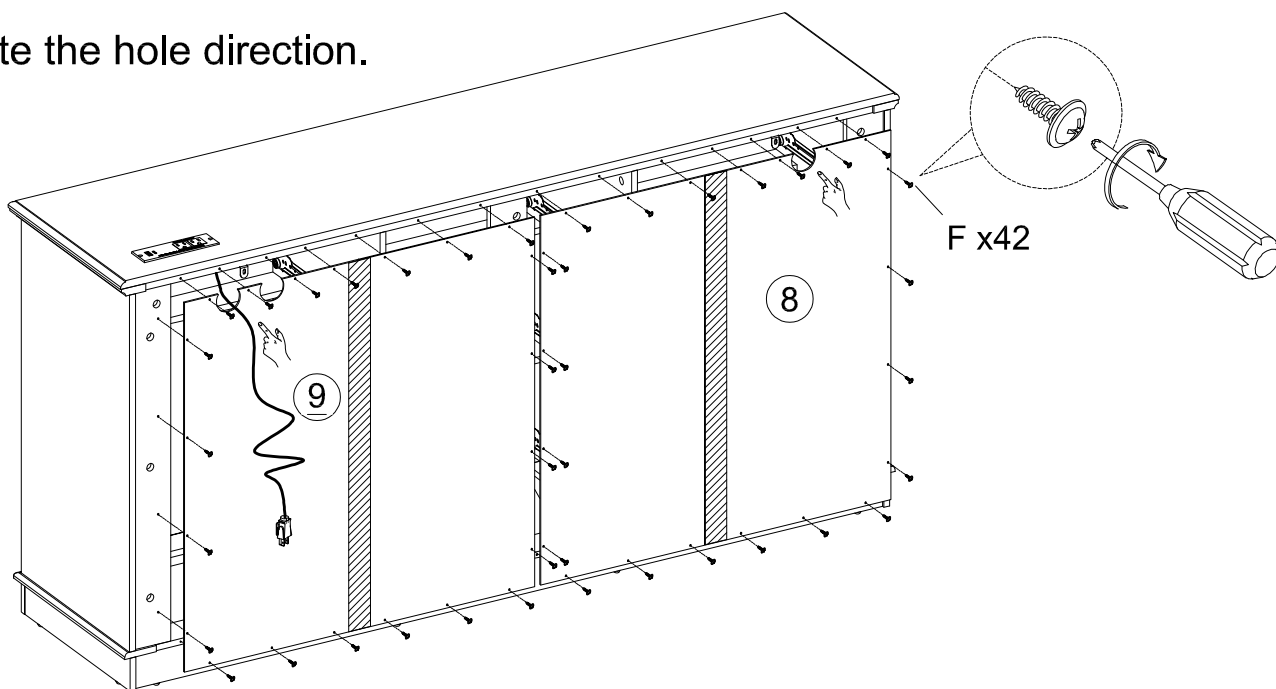
0x1



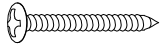
Hx2



Note the hole direction.



15



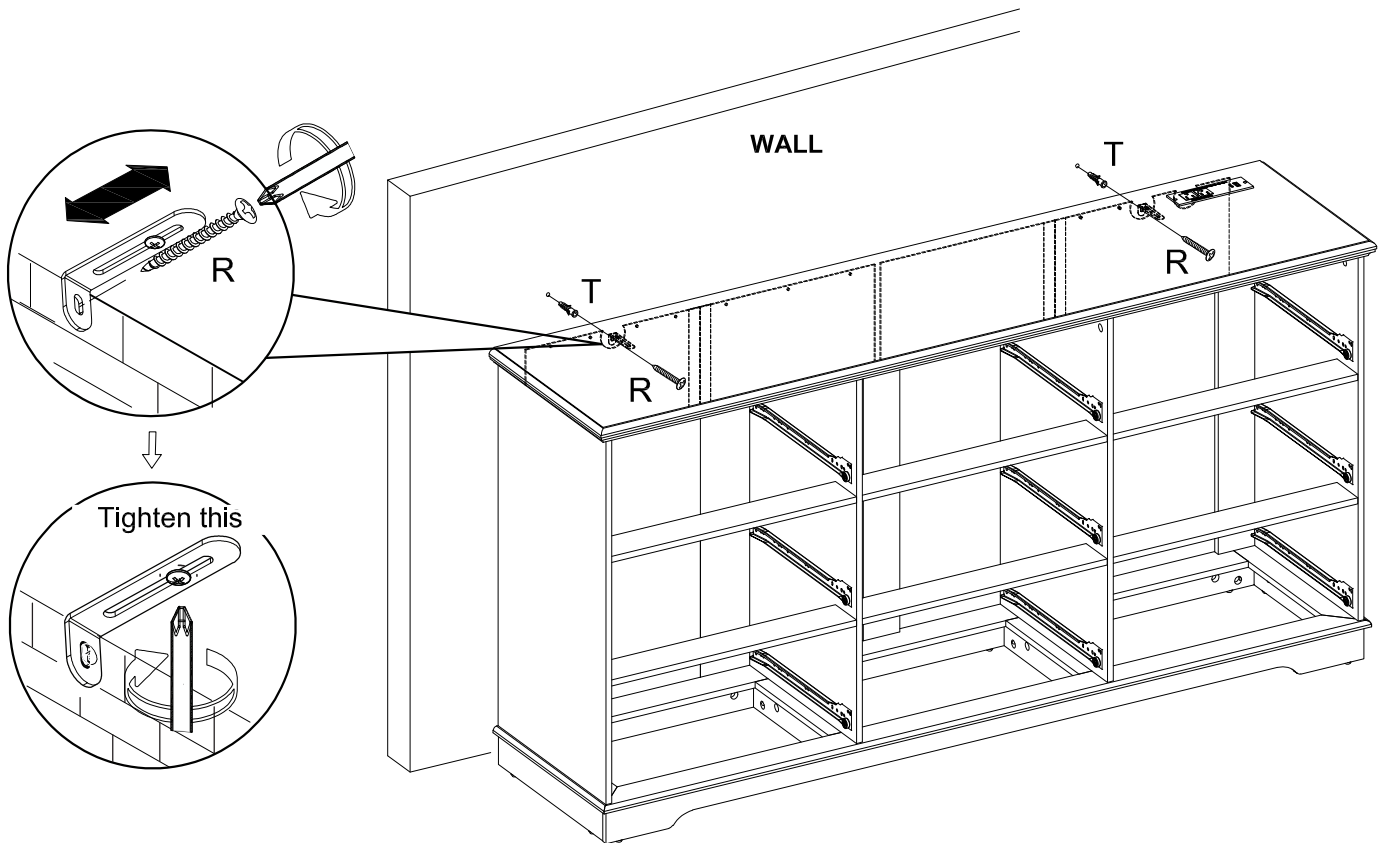
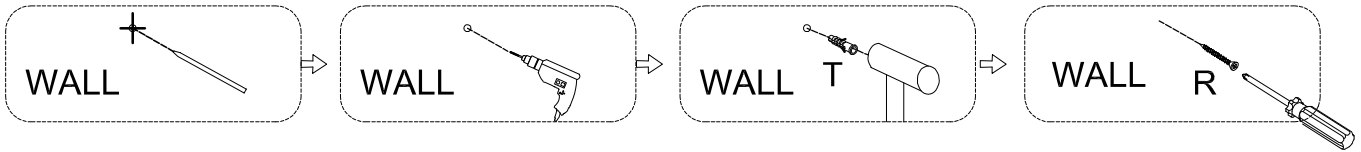
Rx2



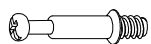
Tx2

WARNING

Serious or fatal injuries can occur from furniture tipping over. To prevent the furniture from tipping over we recommend that it is permanently fixed to the wall. Wall anchor and hardware are included with this product. Please make sure hardware is suitable for your walls before installing, as different wall materials may require different types of anchors.



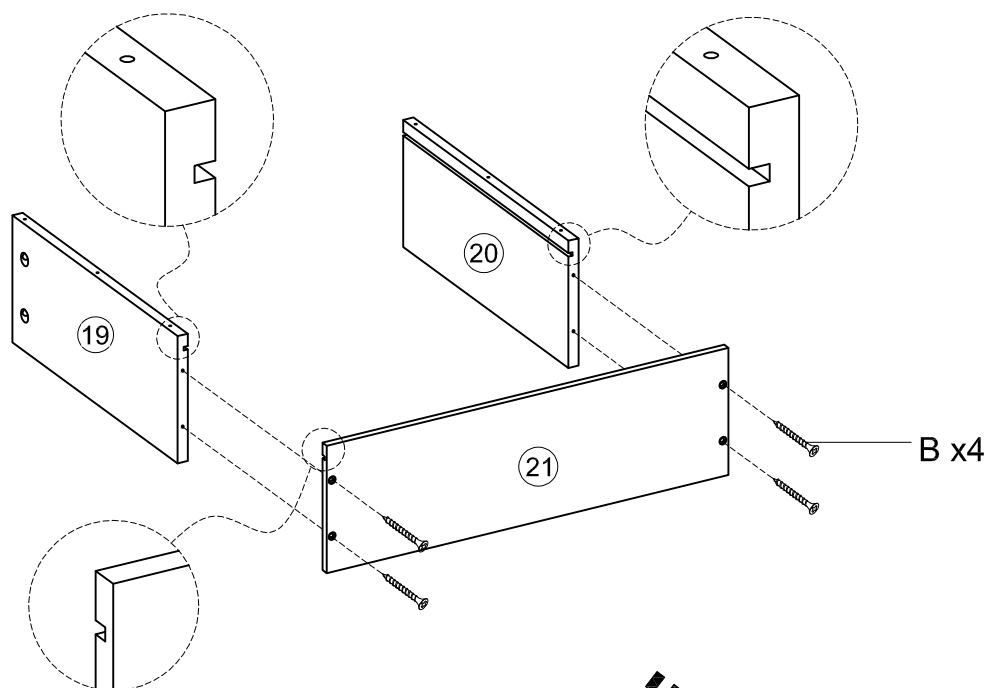
16



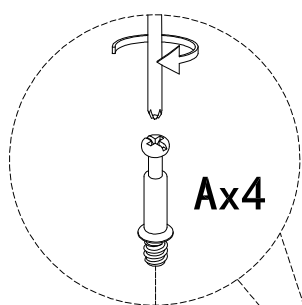
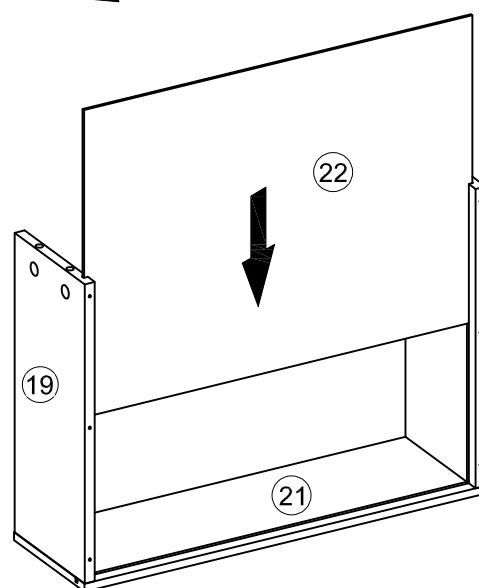
Ax36



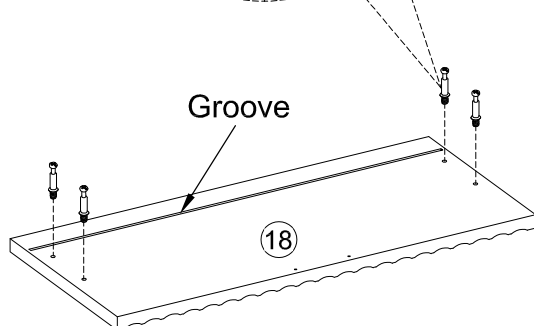
Bx36



The long groove is used to install the bottom plate, make sure to take note of installing the grooves of these boards on the same side.



Ax4

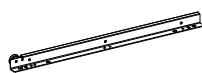


X 9

17



DLx9



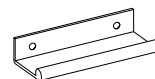
DRx9



I x 54



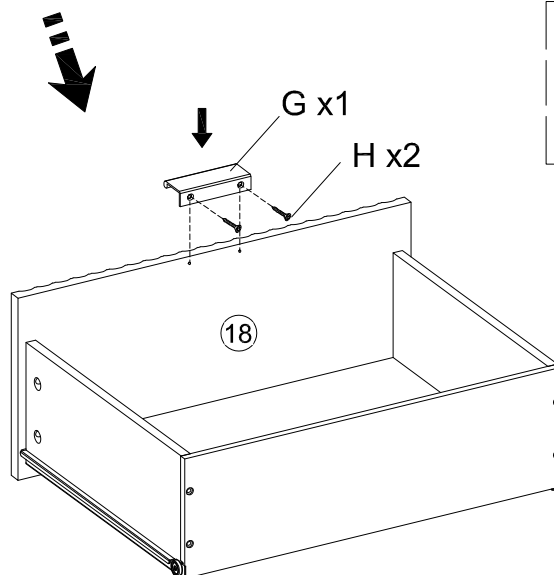
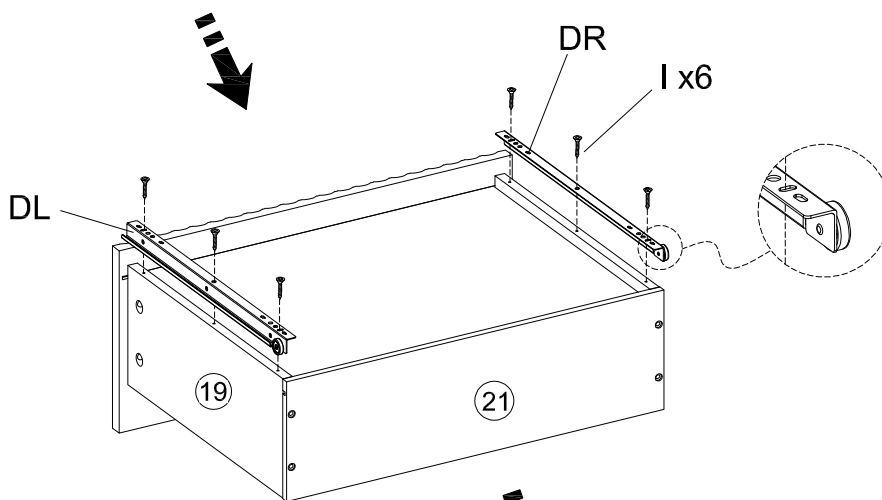
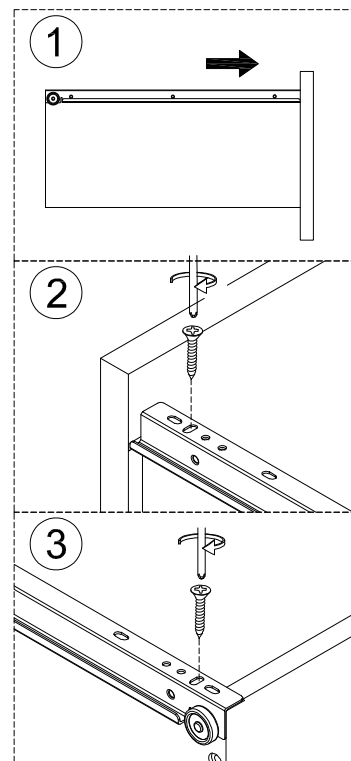
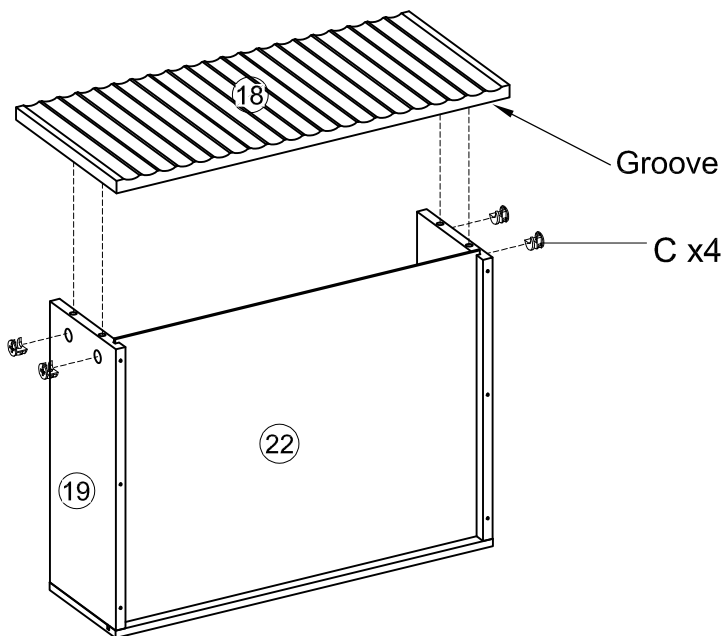
Cx36



Gx9

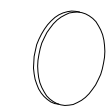


Hx18

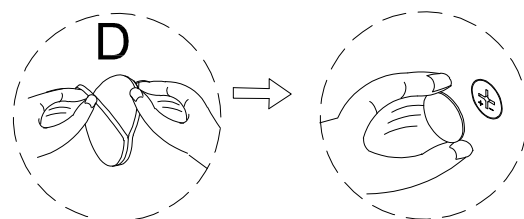
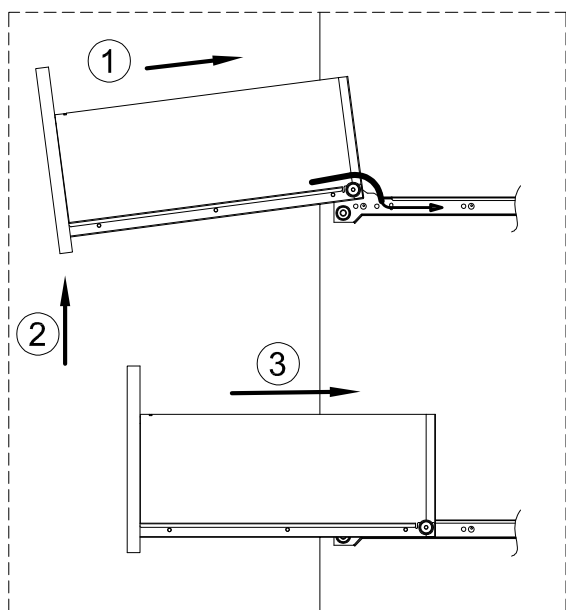
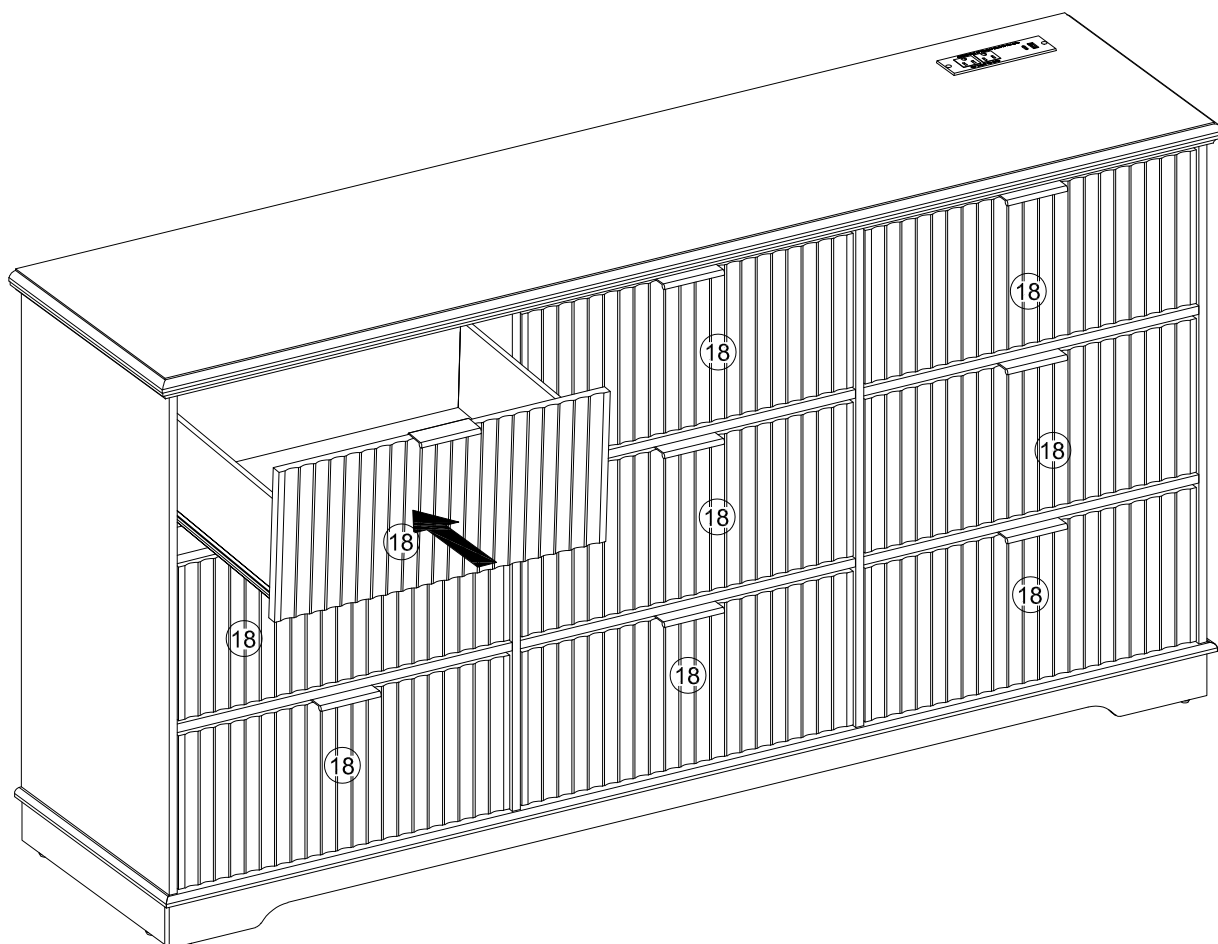


X 9

18



Dx85



· Stick stickers (D) on cam locks (C).

Installation Completed