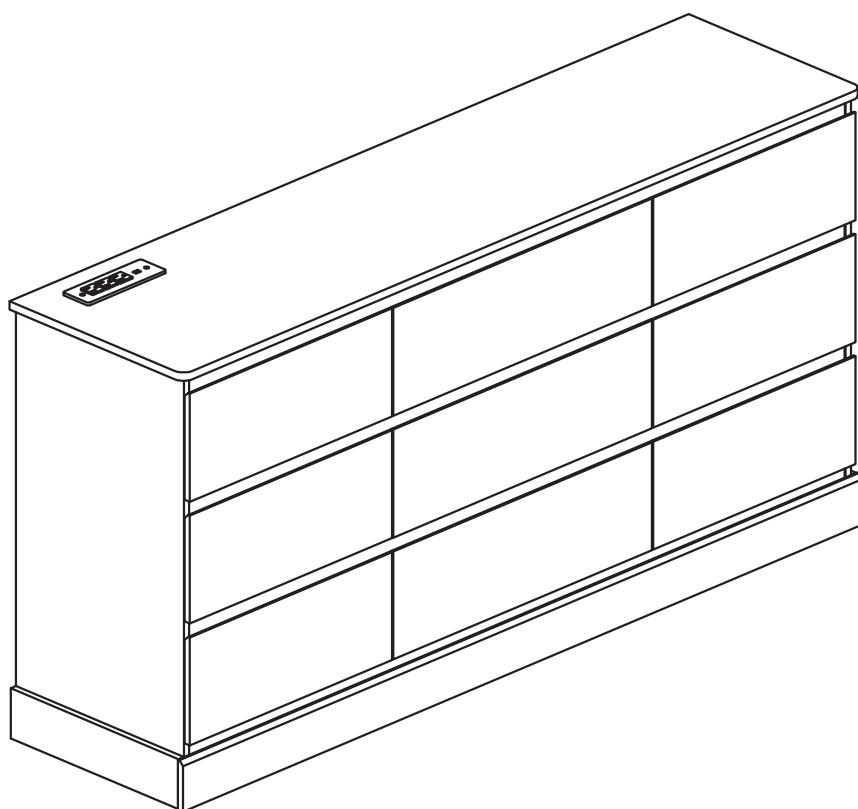
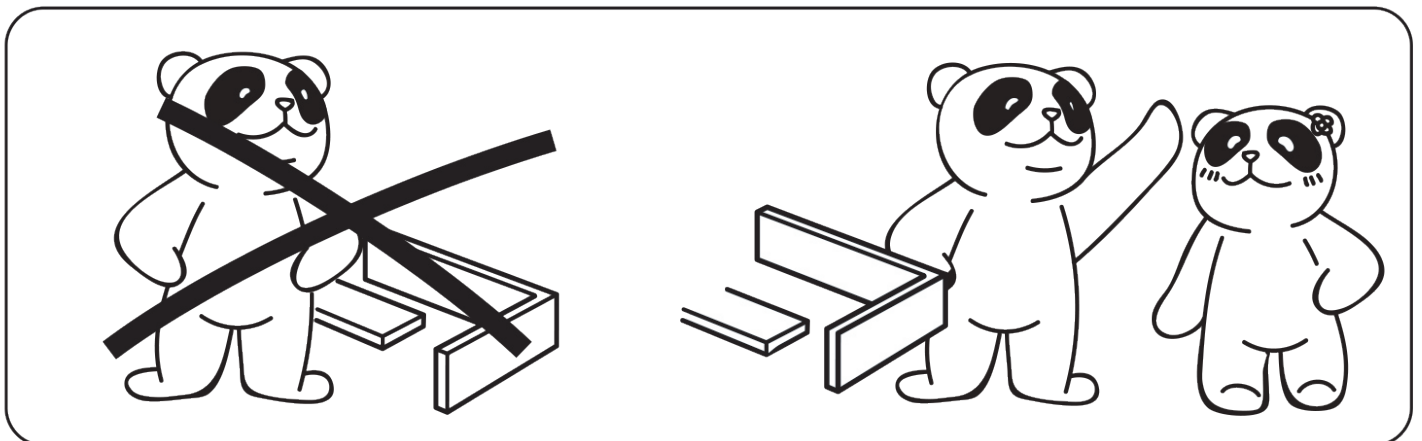
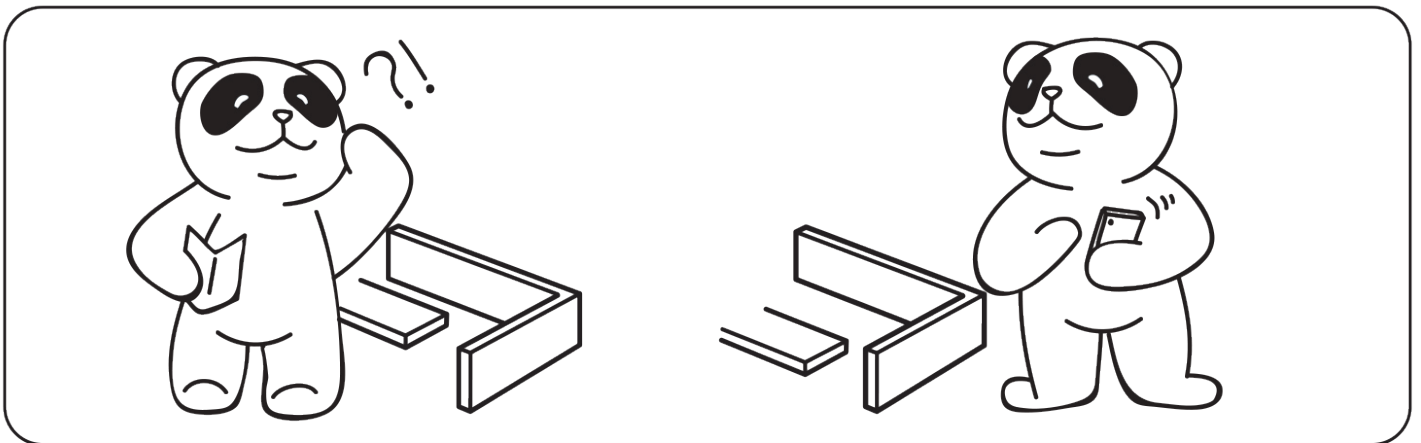
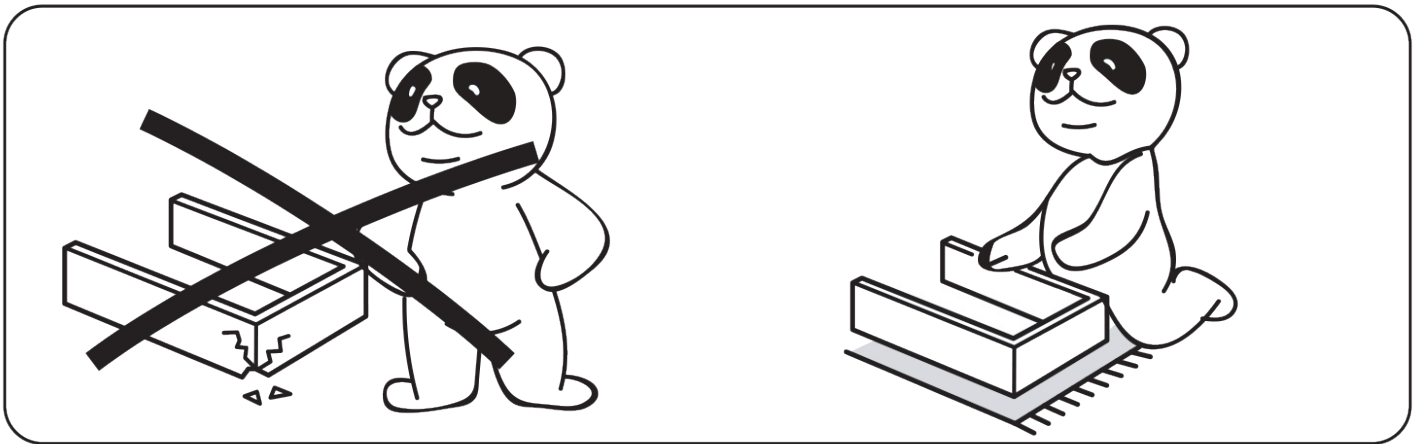
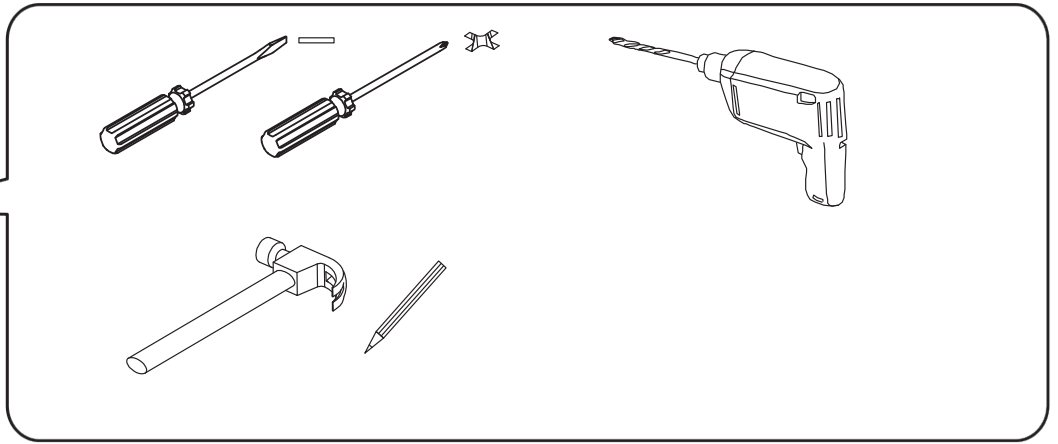
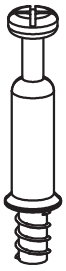


# Assembly instructions

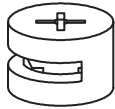




# Mounting Frame



Ø6x28mm  
A x 78



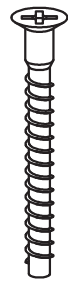
Ø15x9mm  
B x 78



Ø6x30mm  
C x 27



Ø3.5x12mm  
D x 102



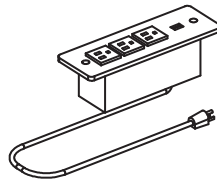
Ø5x40mm  
E x 36



F x 14



Ø3.5x18mm  
G x 8



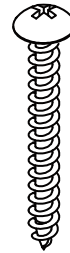
H x 1



I x 14



J x 2



Ø3.5x14mm



CR x 9



CL x 9

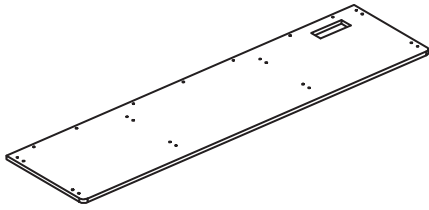


DR x 9

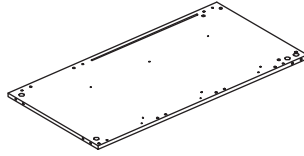


DL x 9

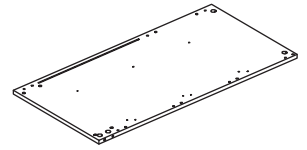
# Mounting Frame



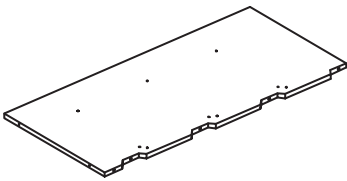
① x 1



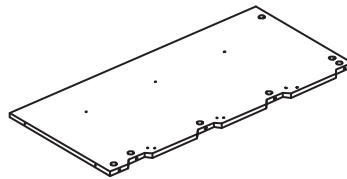
② x 1



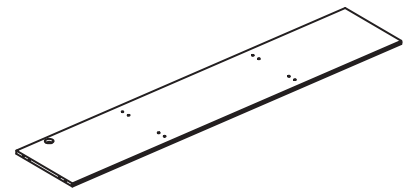
③ x 1



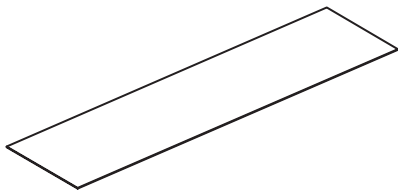
④ x 1



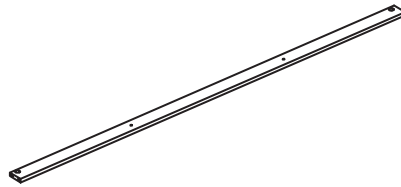
⑤ x 1



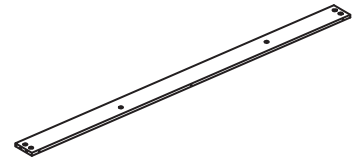
⑥ x 1



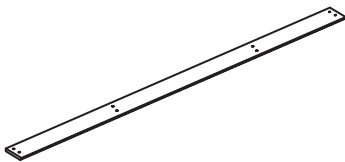
⑦ x 1



⑧ x 4



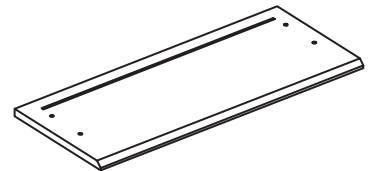
⑨ x 1



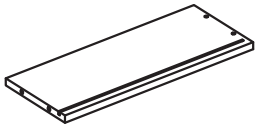
⑩ x 1



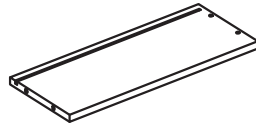
⑪ x 2



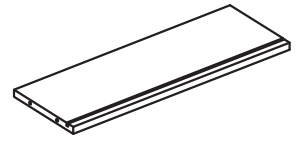
⑫ x 3



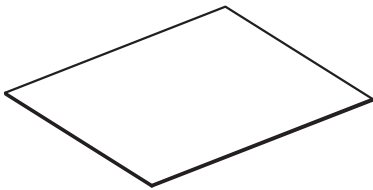
⑬ x 9



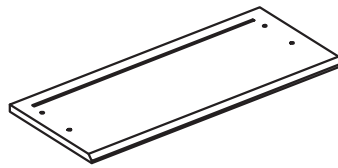
⑭ x 9



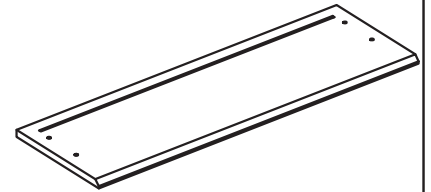
⑮ x 6



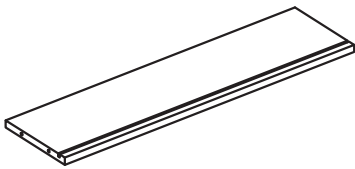
⑯ x 6



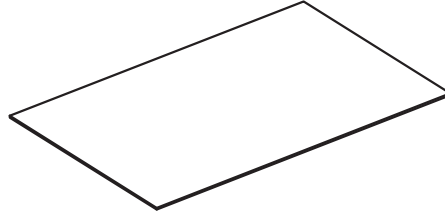
⑰ x 3



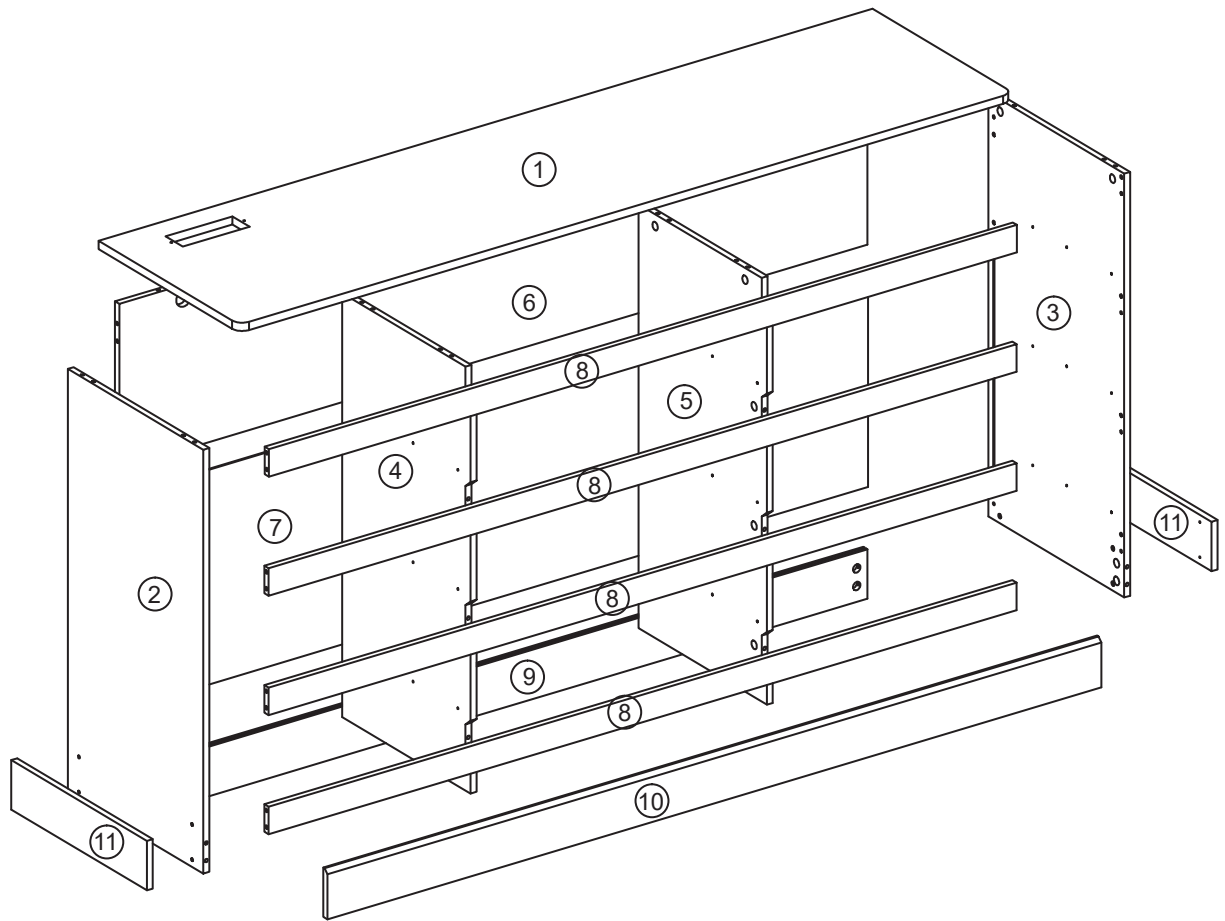
⑱ x 3

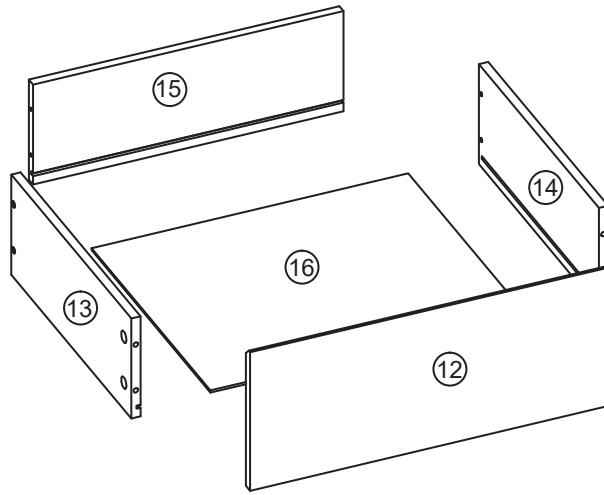


⑲ x 3

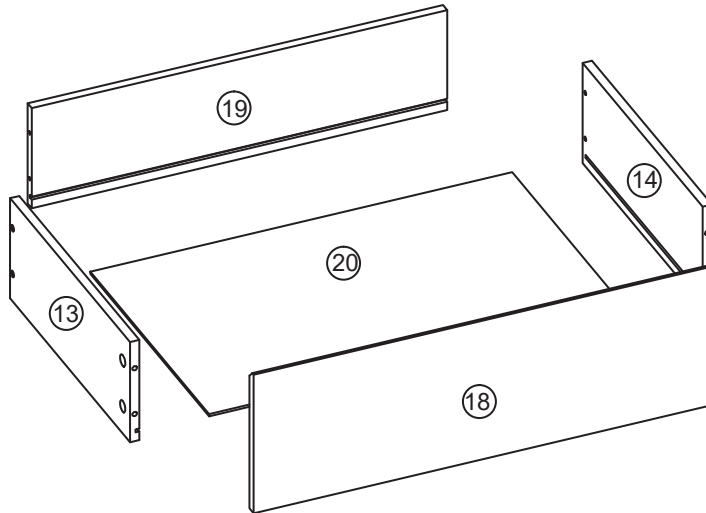


⑳ x 3

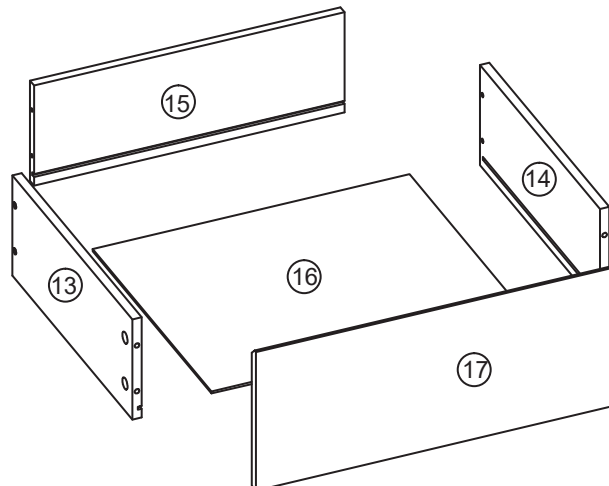




x 3

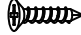
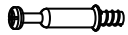



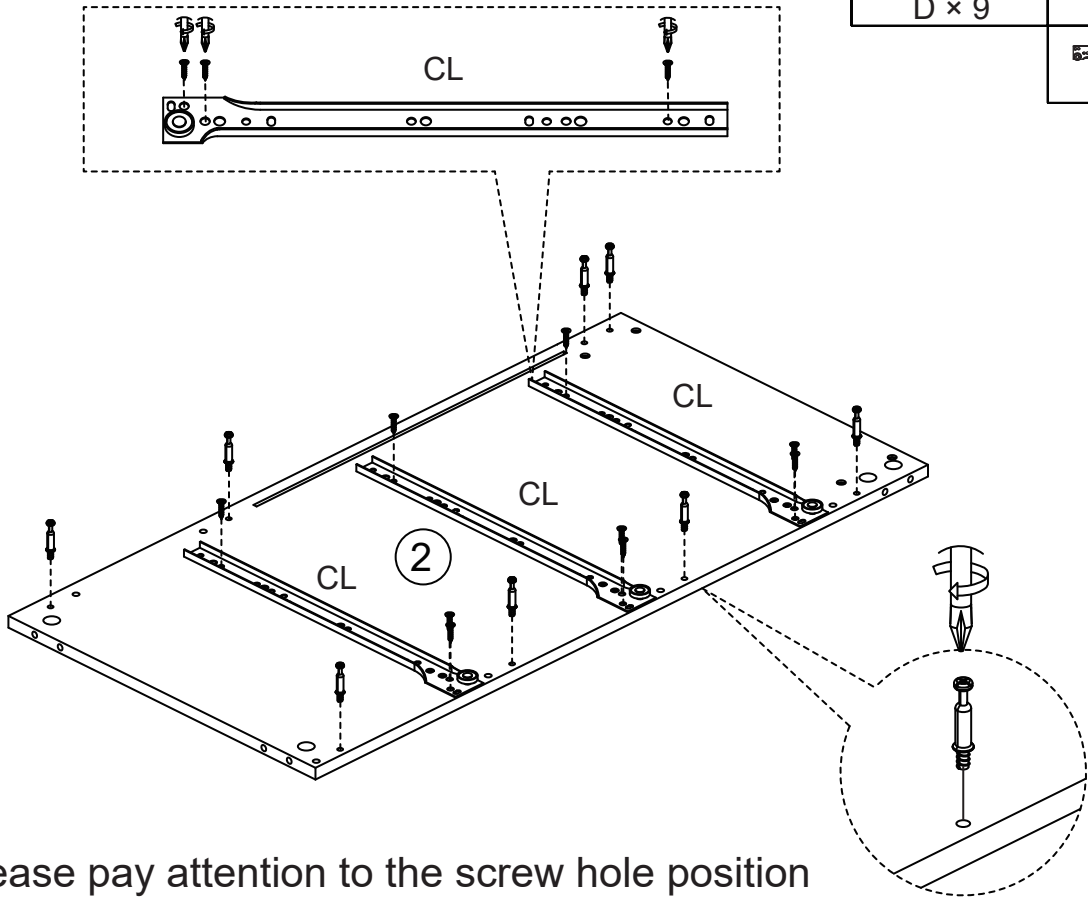
x 3



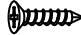
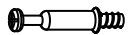

x 3

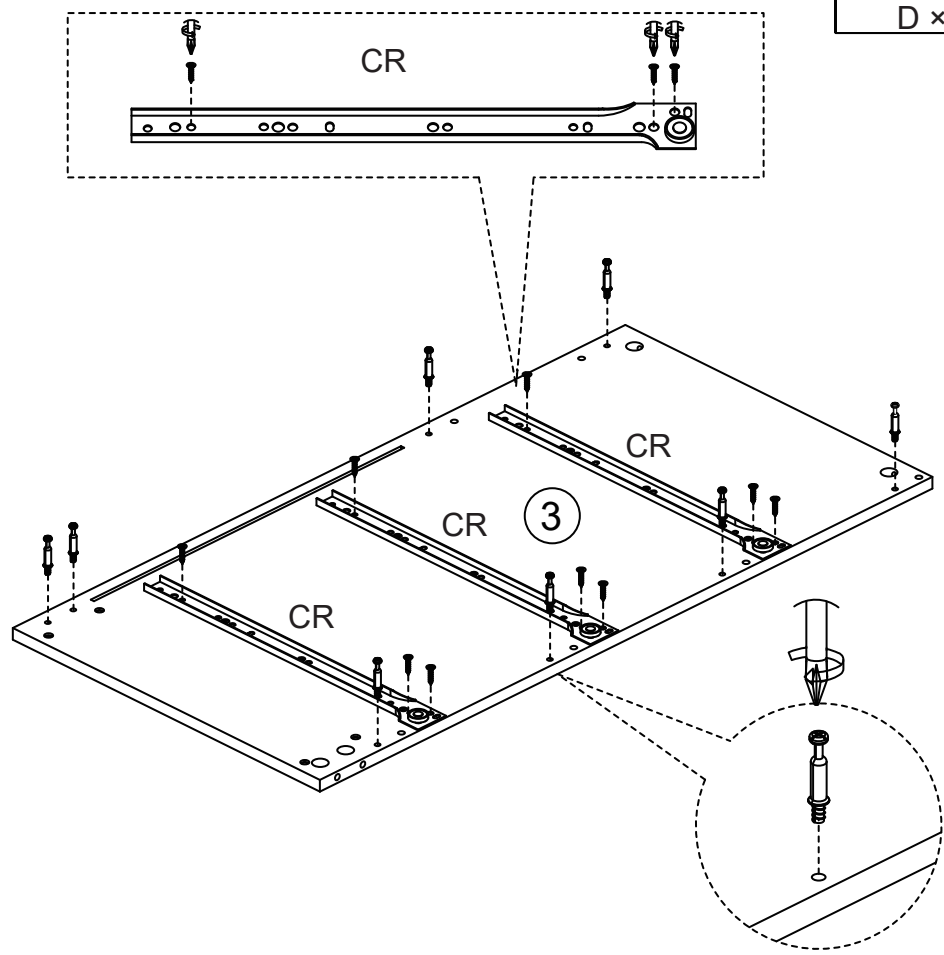
1

 D × 9	 A × 8
	 CL × 3




2

 D × 9	 A × 8
	 CR × 3

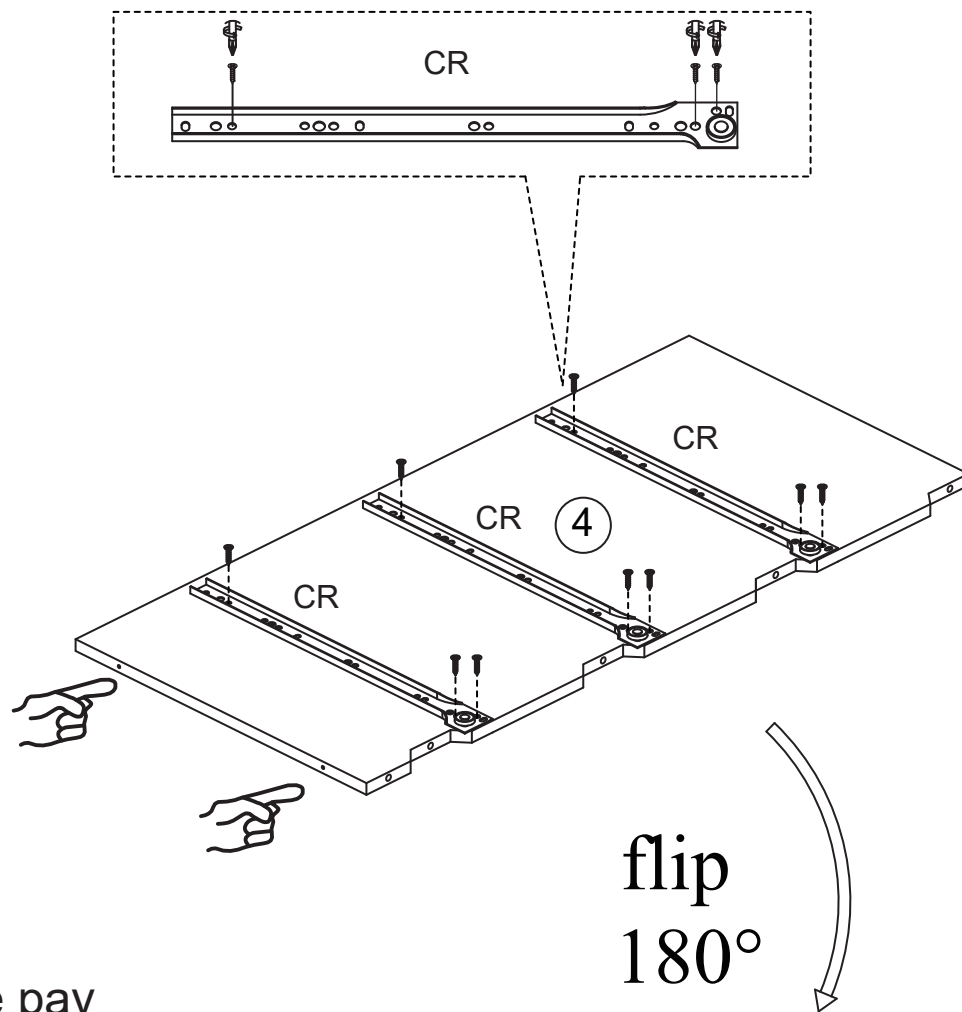


3

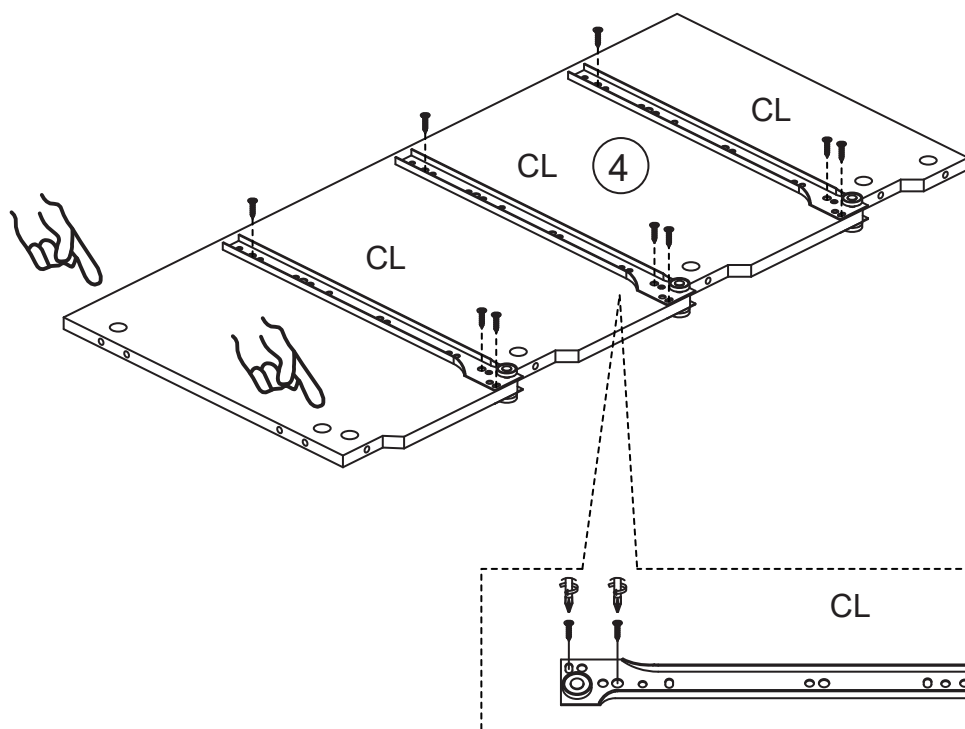
 D × 18

 CL × 3

 CR × 3





Please pay attention to the installation hole position

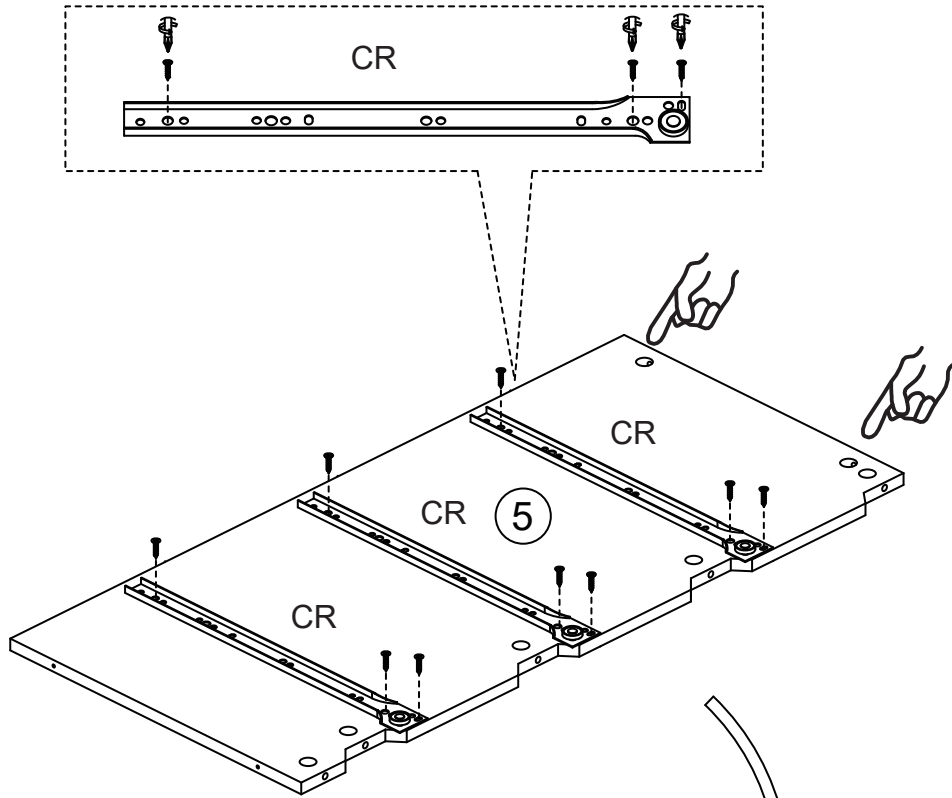


4

  
D × 18

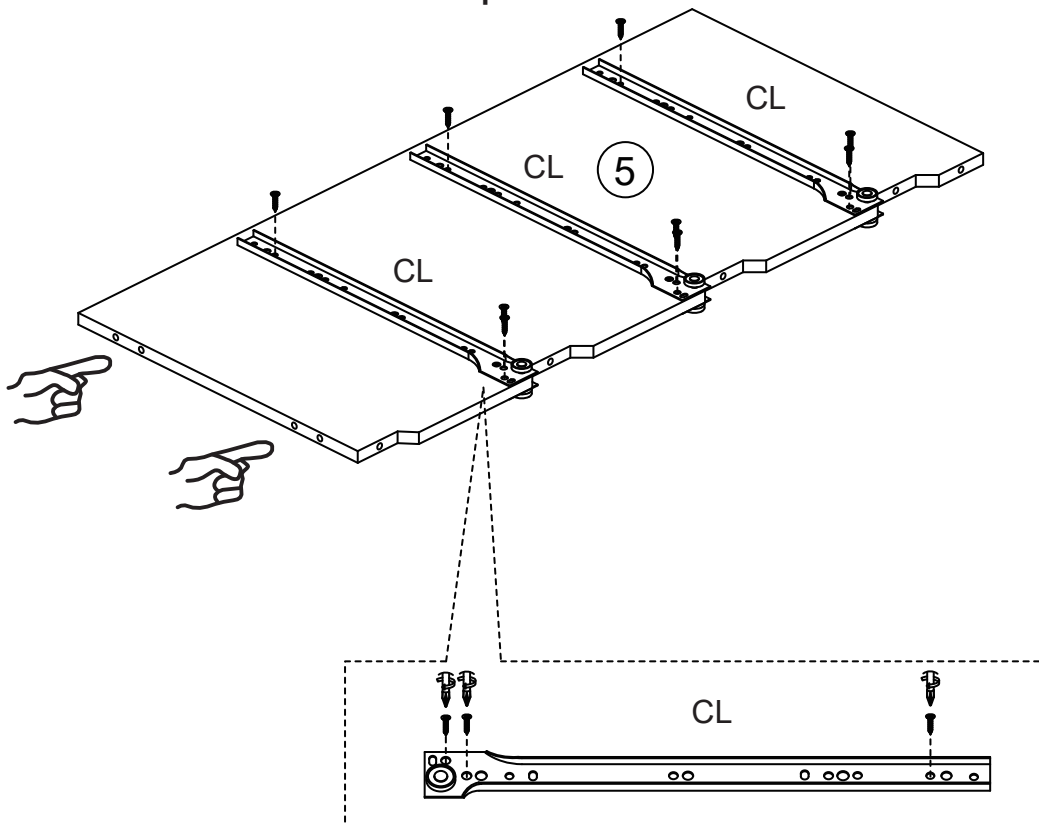
  
CL × 3

  
CR × 3



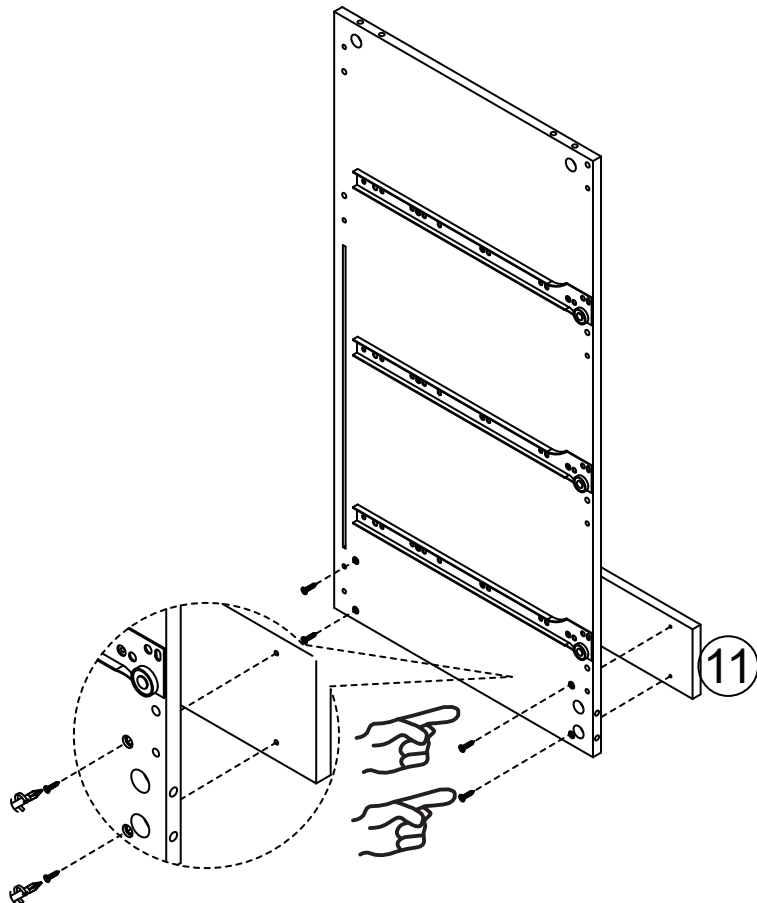
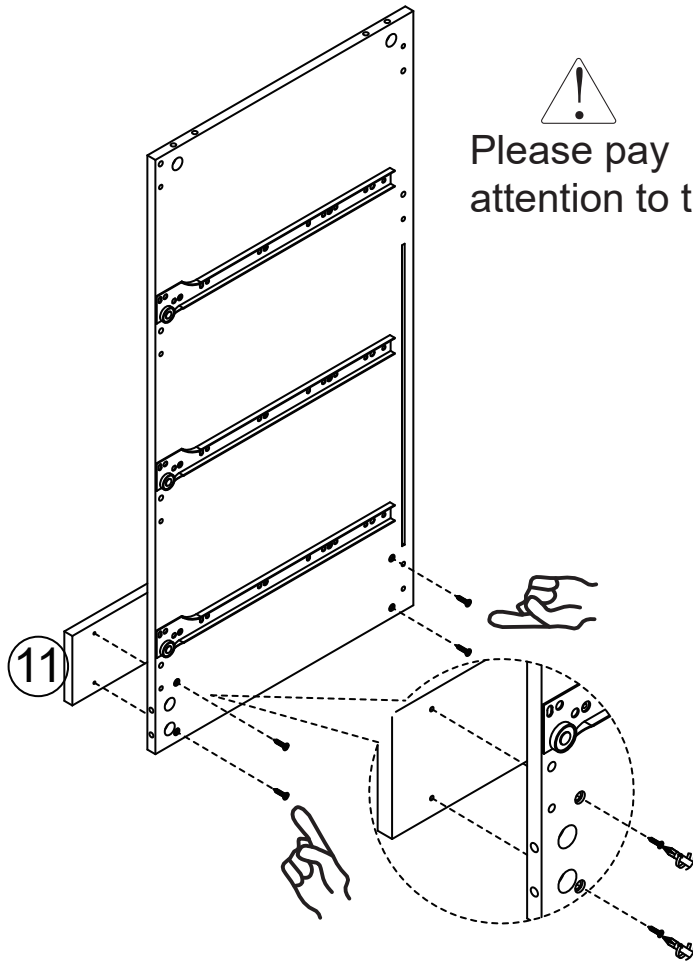
flip  
180°

Please pay attention to the installation hole position

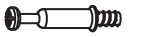


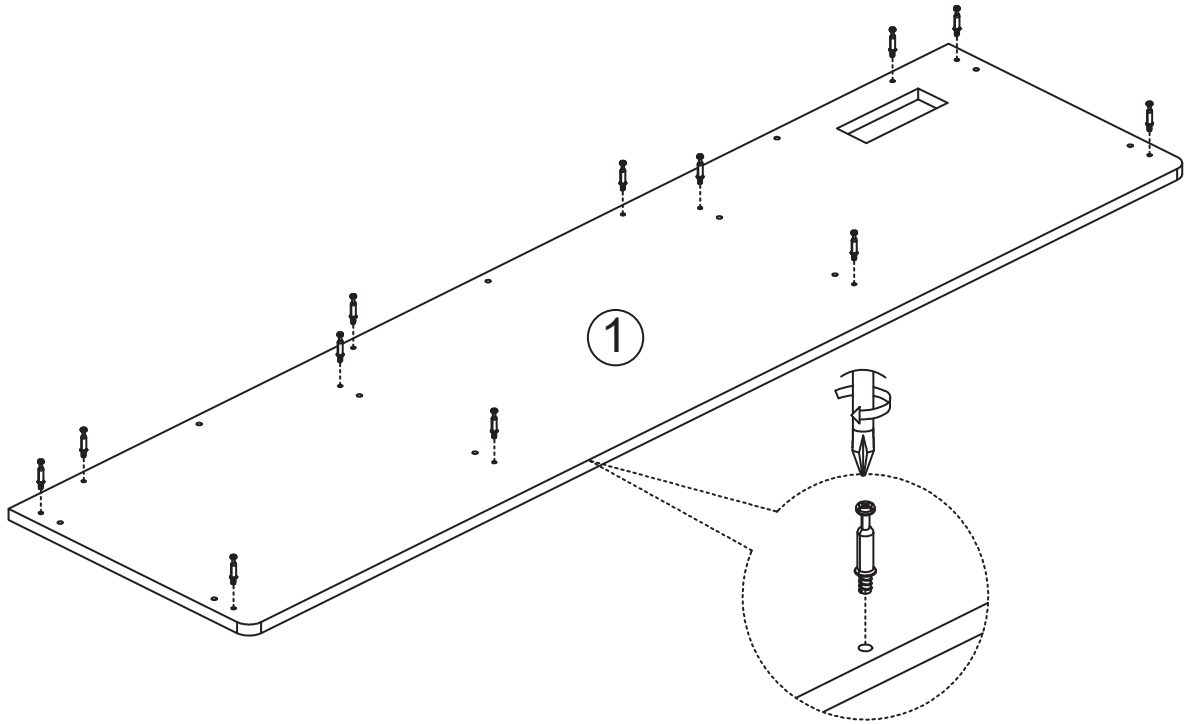


Please pay attention to the installation hole position

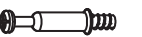


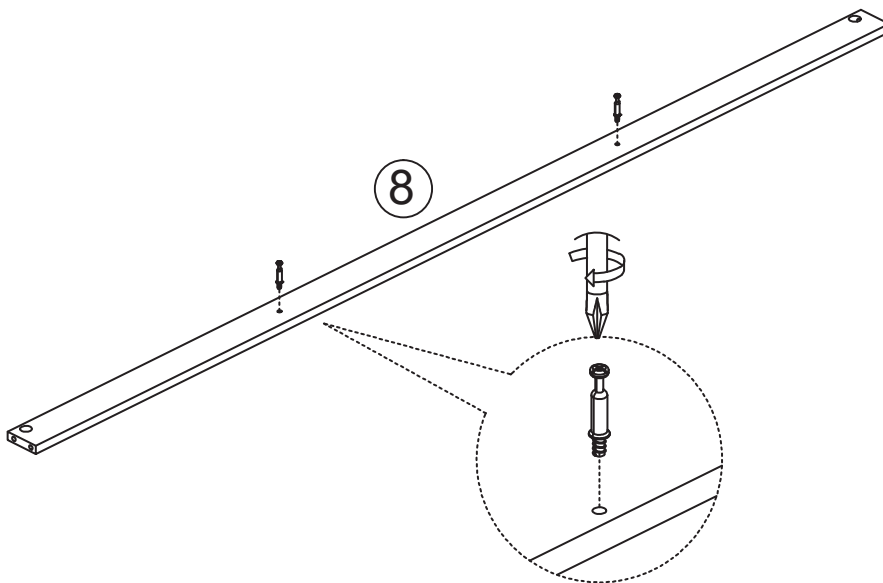
6

  
A x 12



7

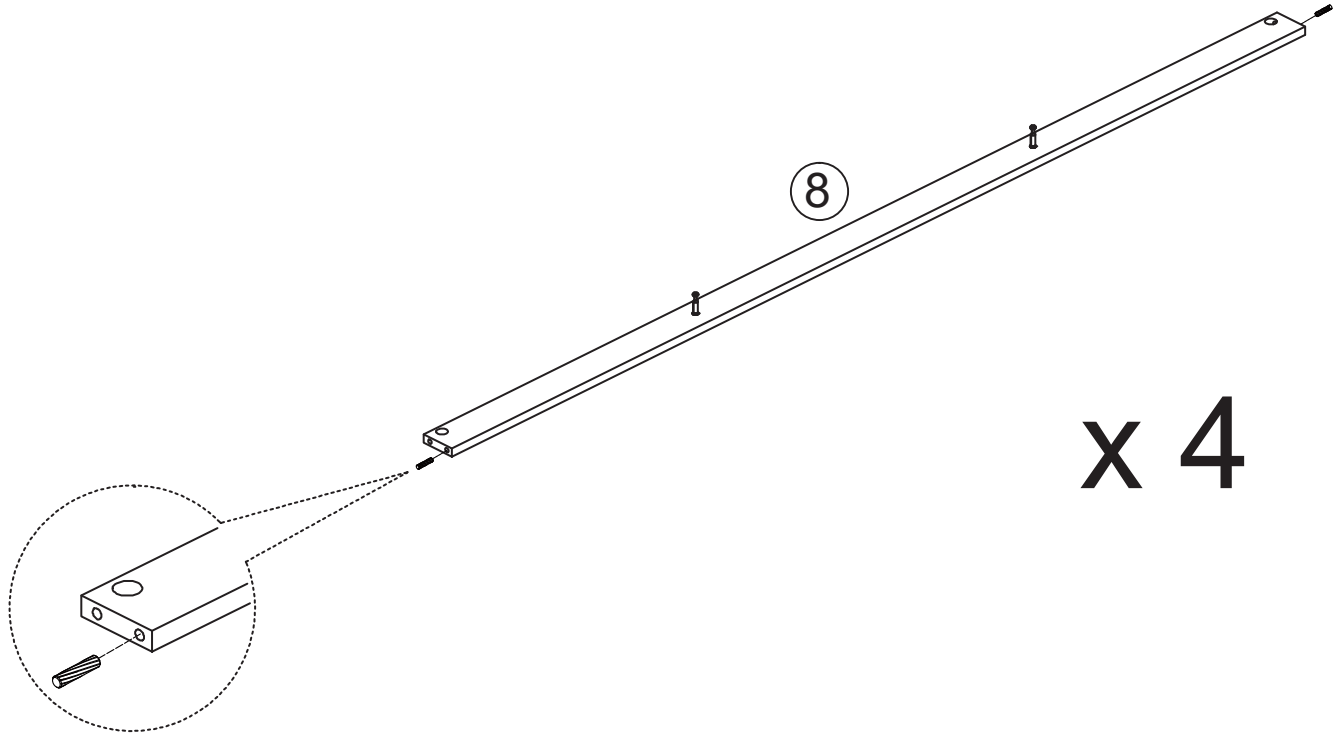
  
A x 8



x 4

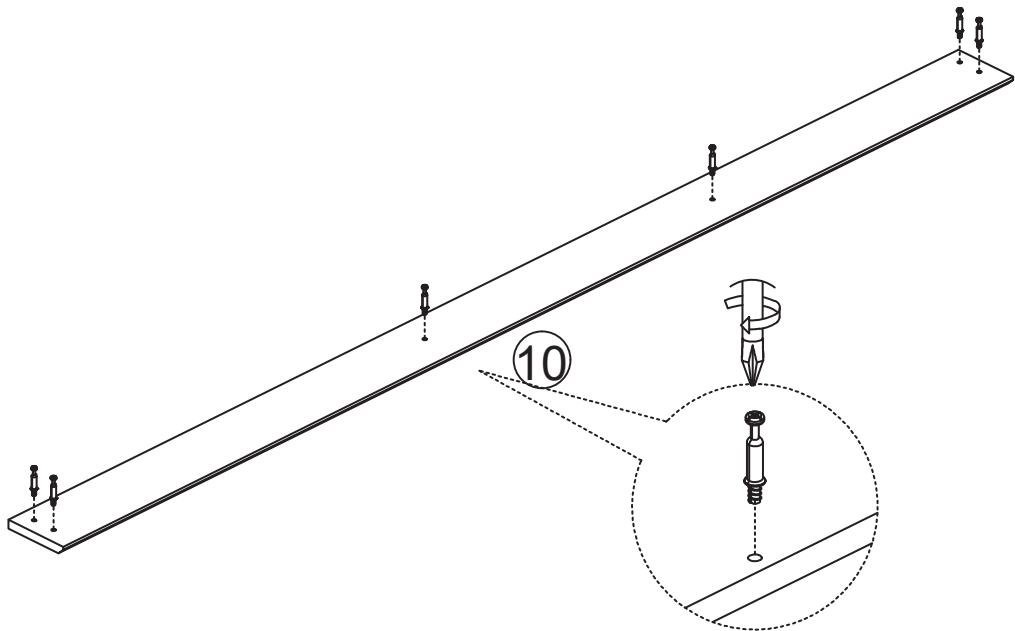
8

C x 8



9

A x 8



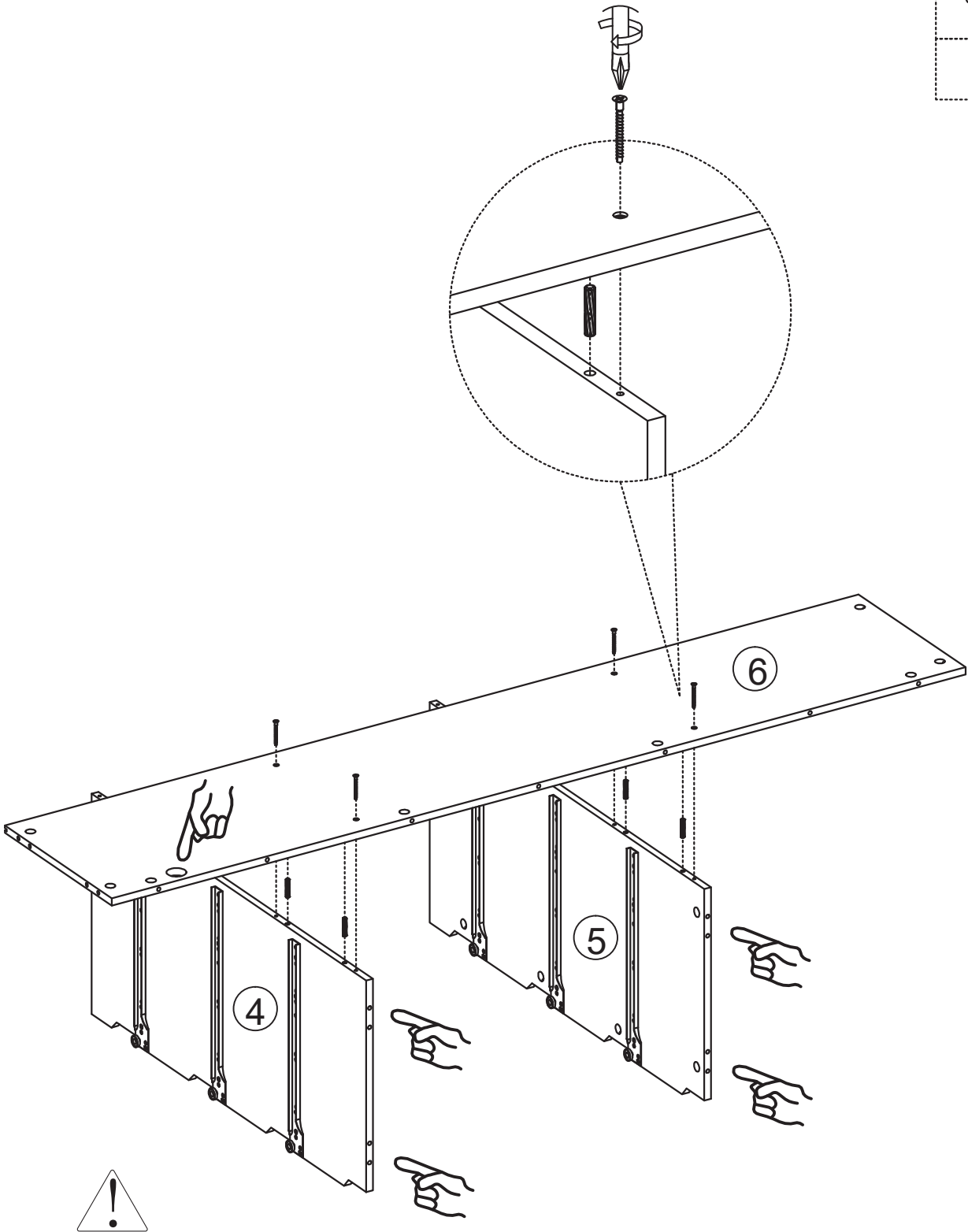
10



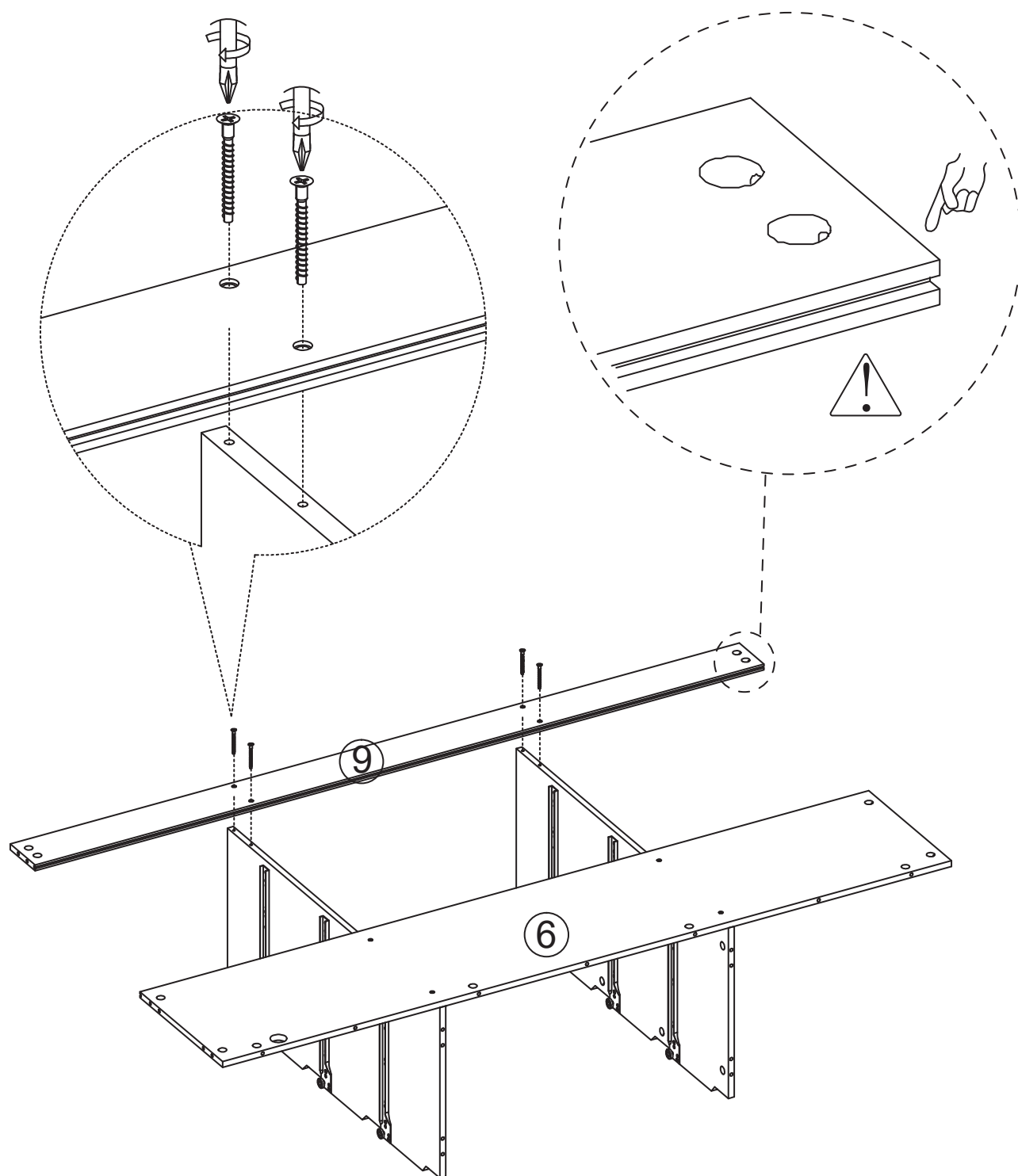
E x 4



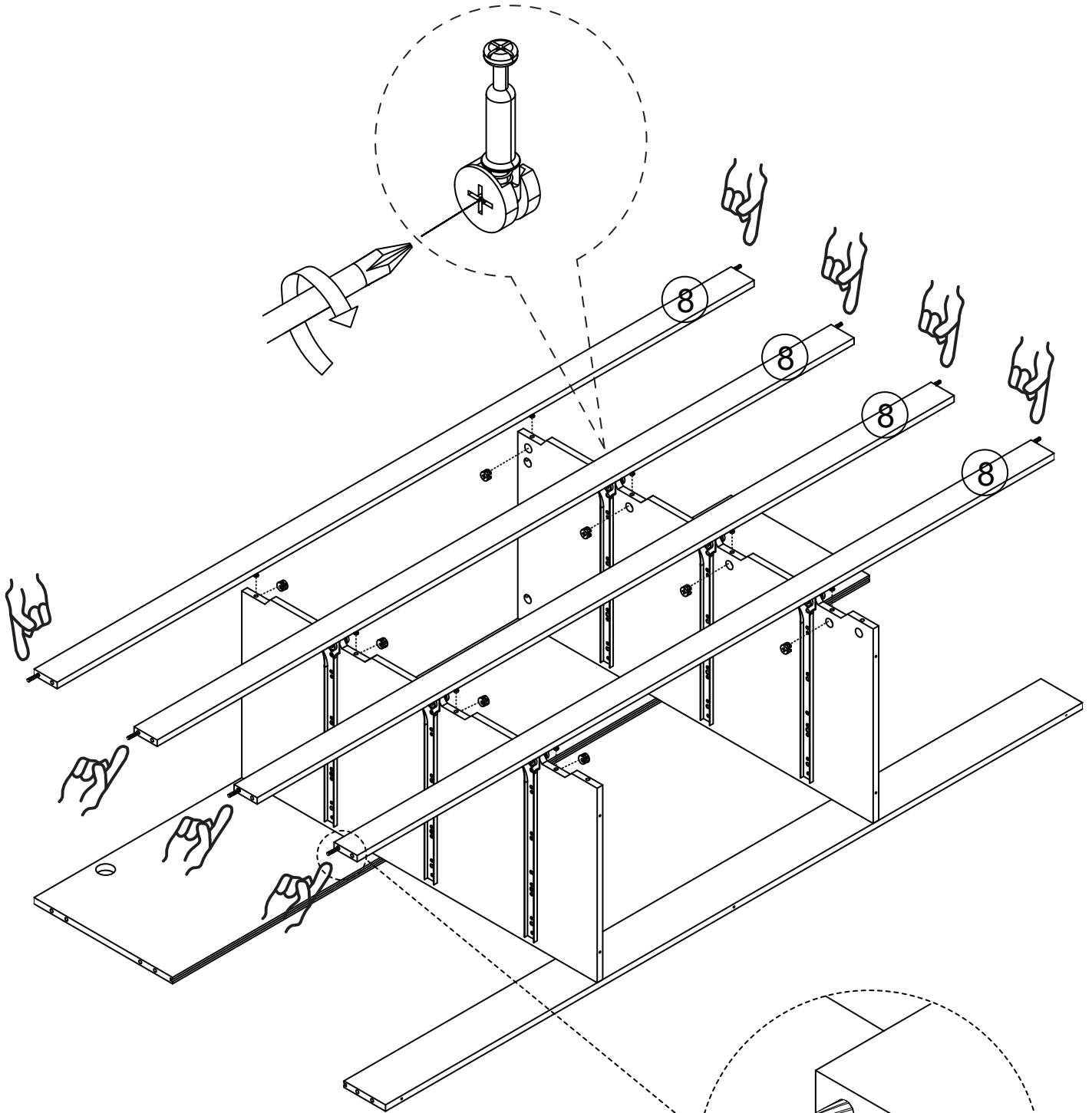
C x 4



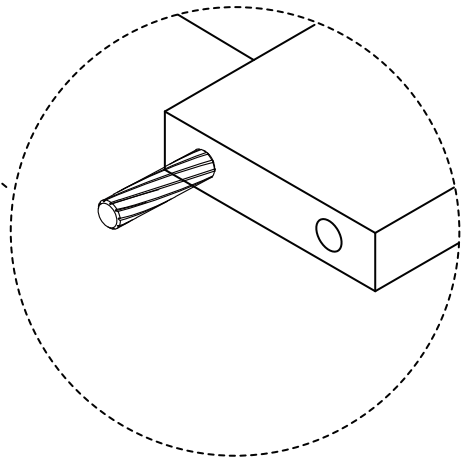
Please pay attention to the installation direction





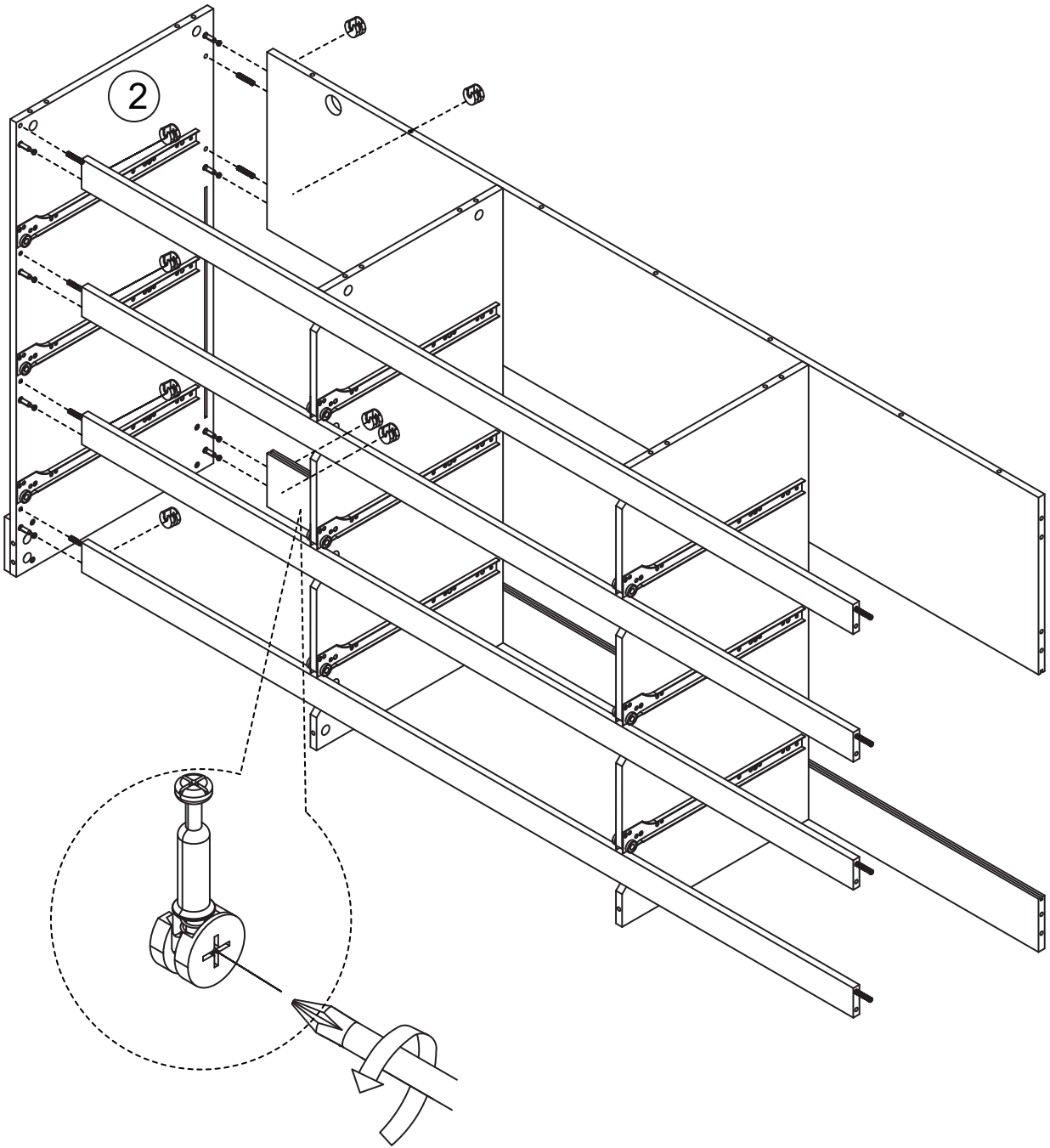
Please pay attention to the installation direction





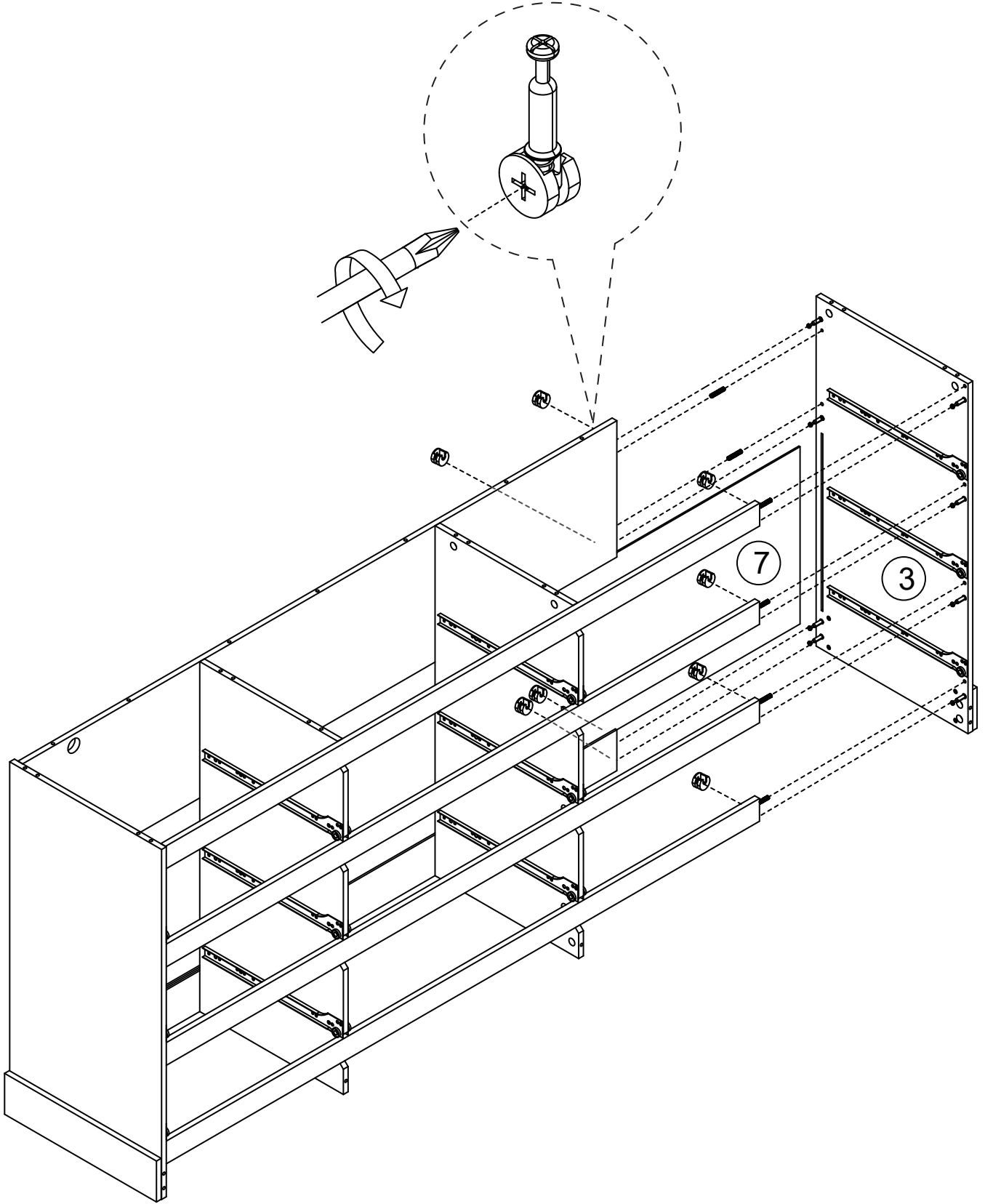
Pay attention to Part 8 do not install it in the wrong direction As shown in the picture, the wooden tenon is placed on top of the 8th wooden board

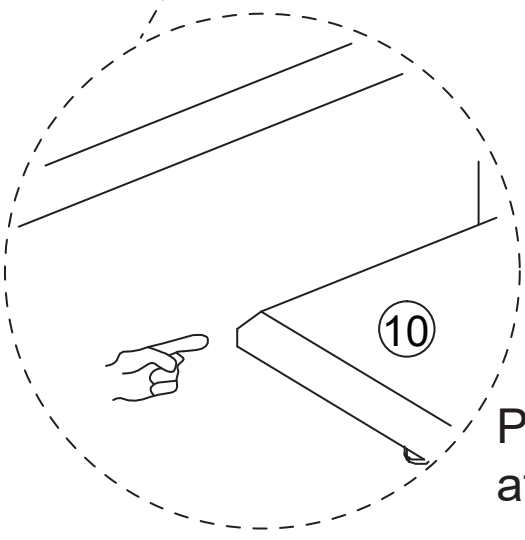
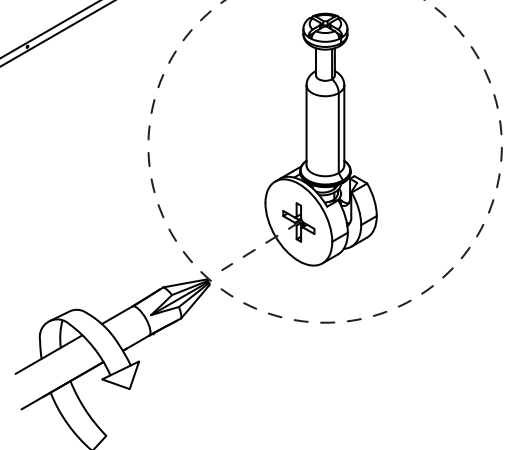
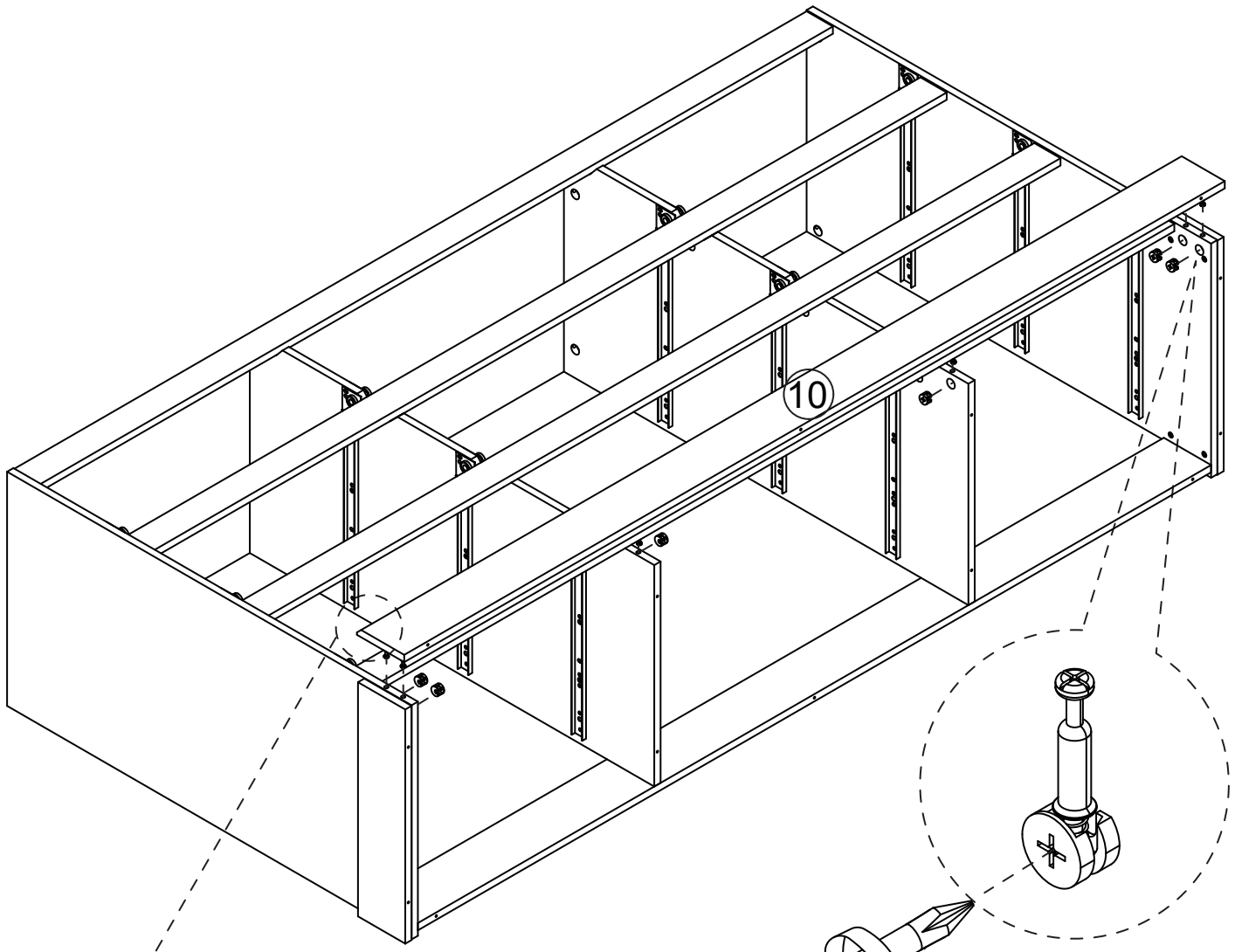



B x 8

C x 2

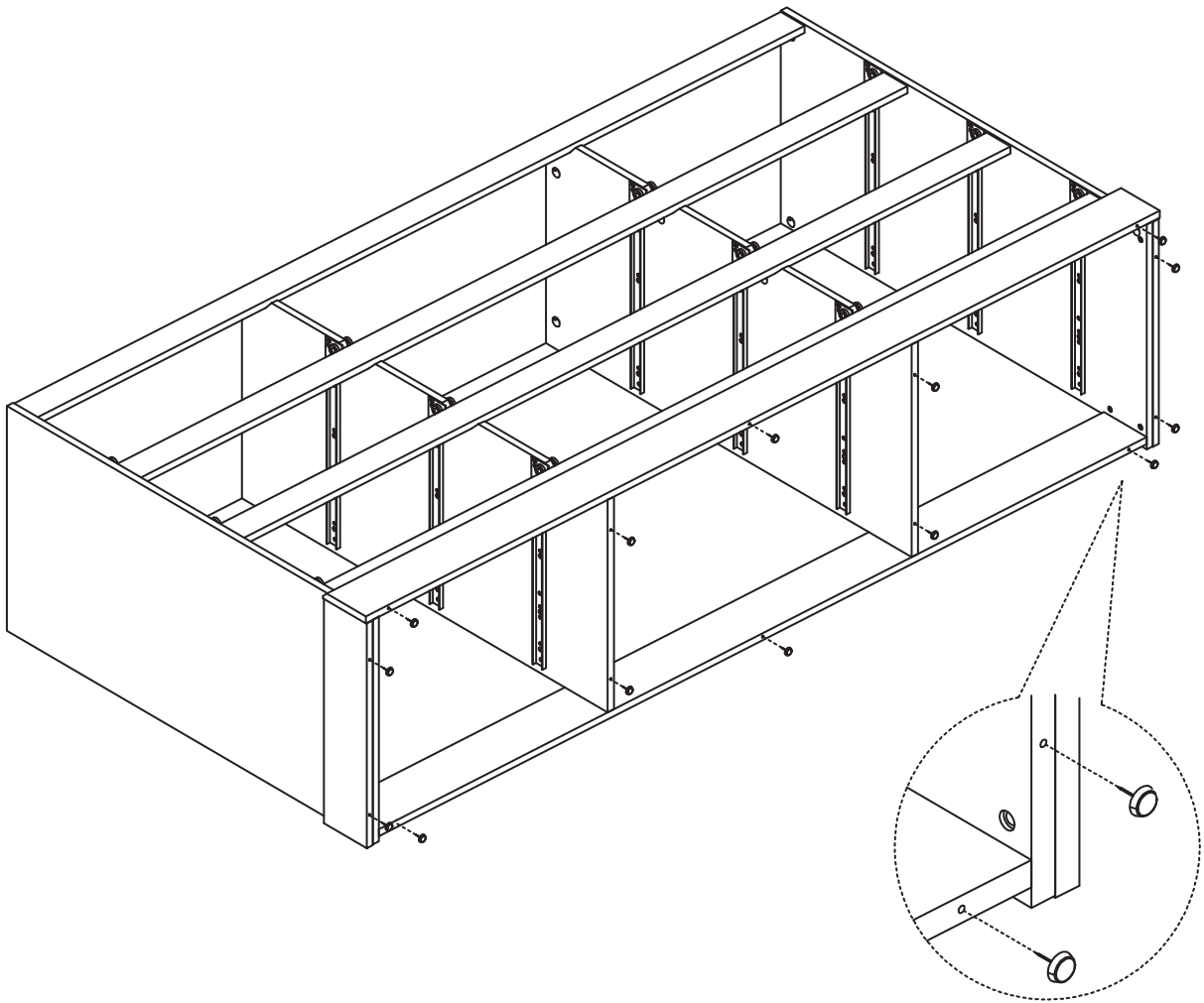



B x 8

C x 2





Please pay attention to the installation direction





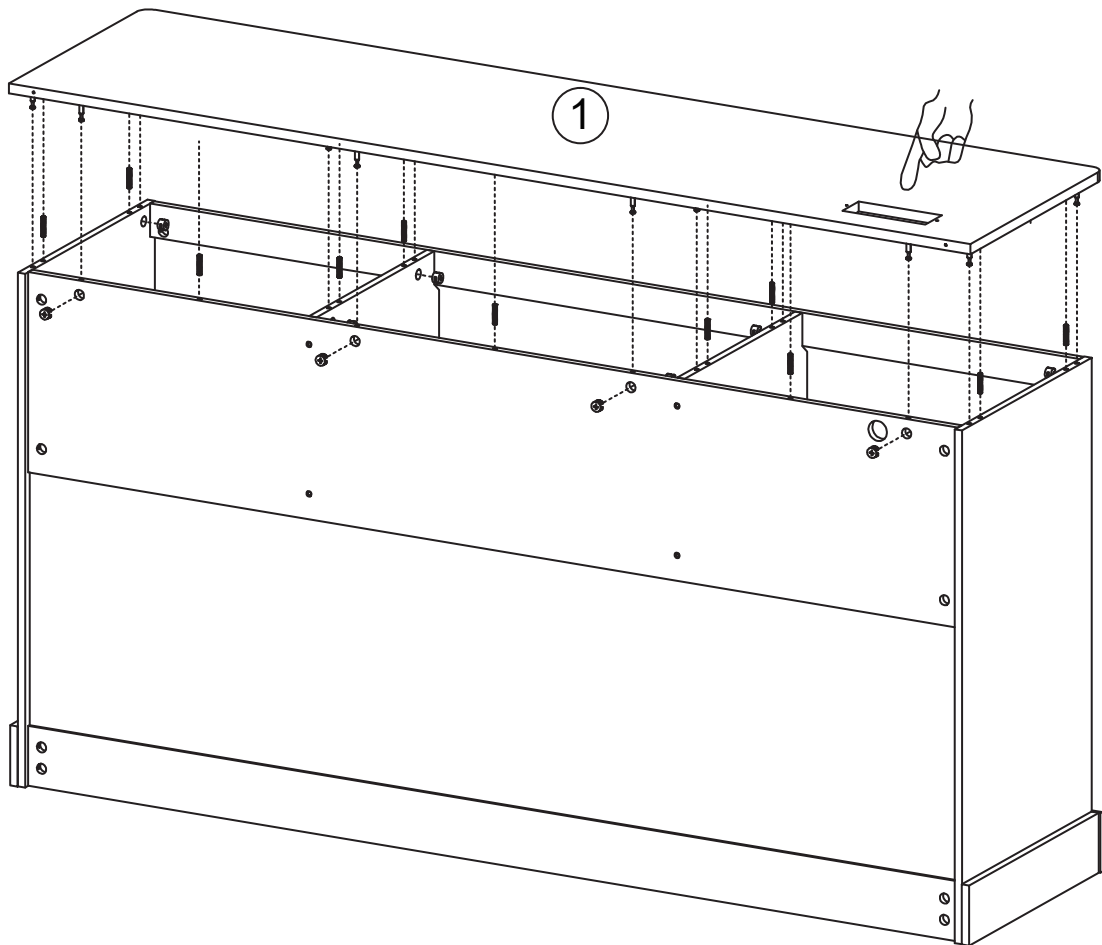
B × 12



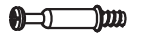
C × 11

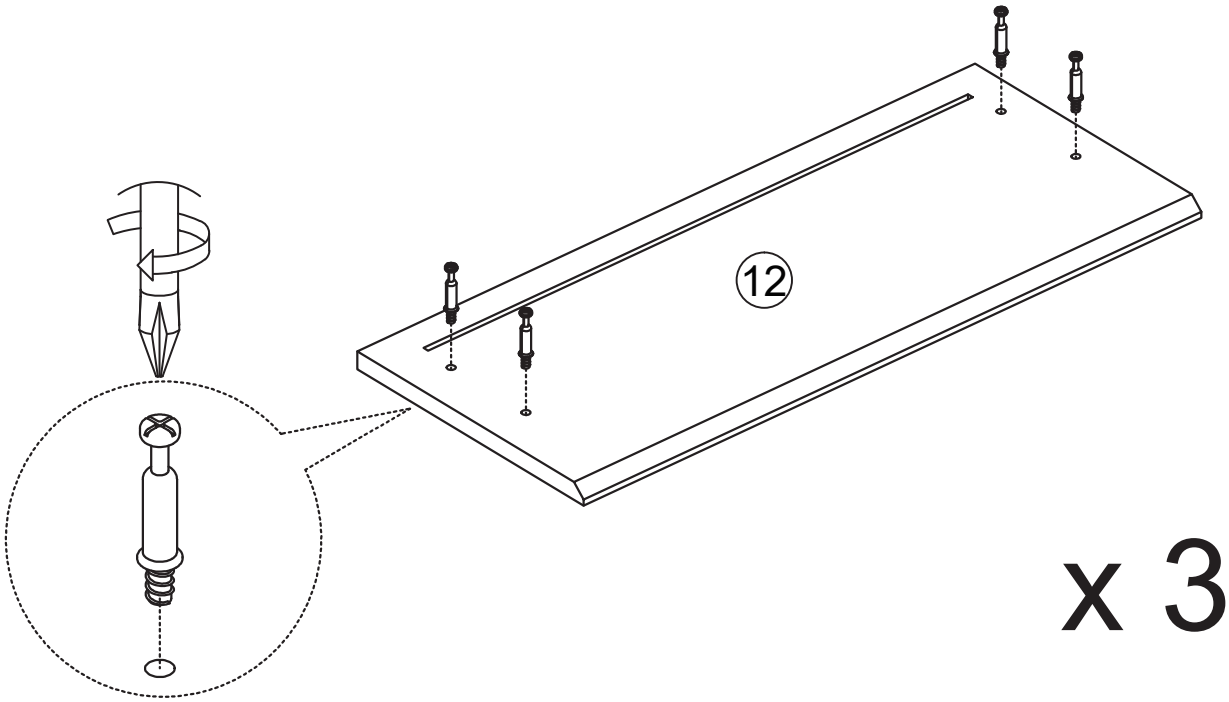


Please pay  
attention to the installation direction



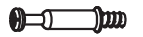
18

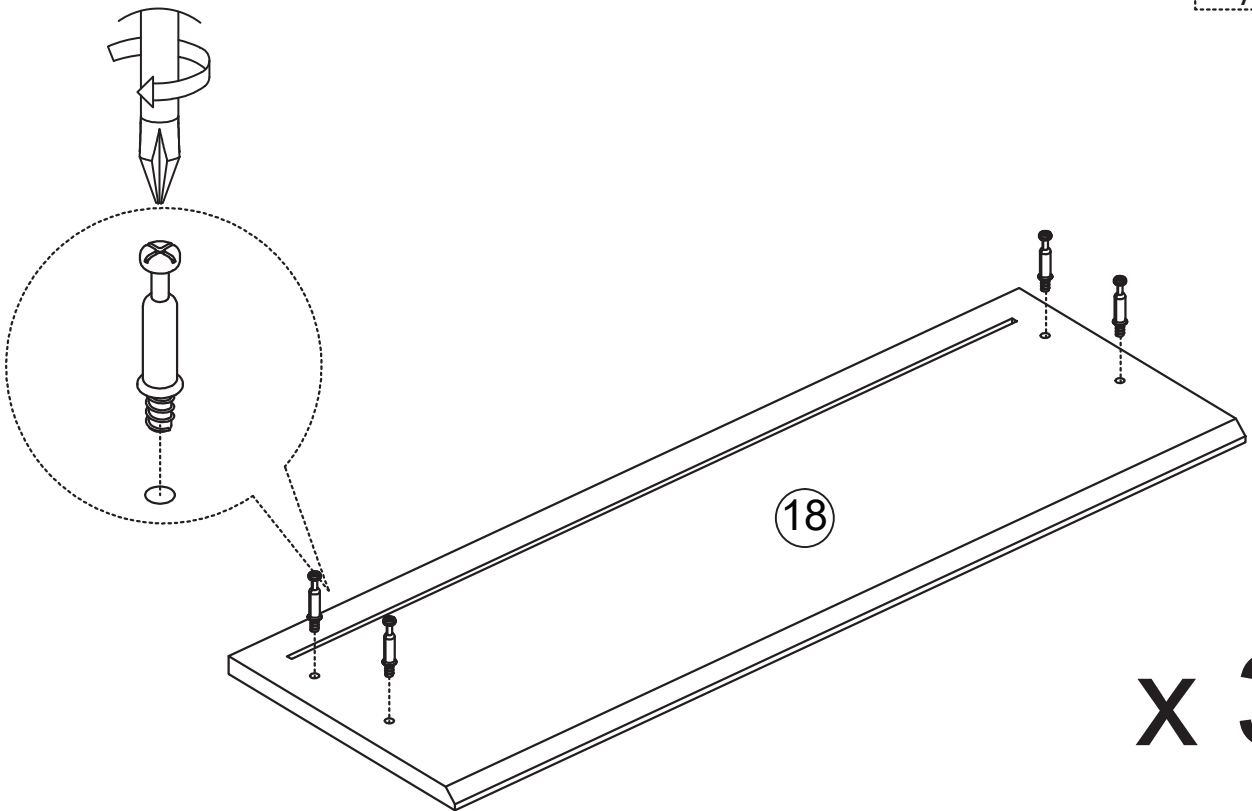
  
A x 12



x 3

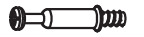
19

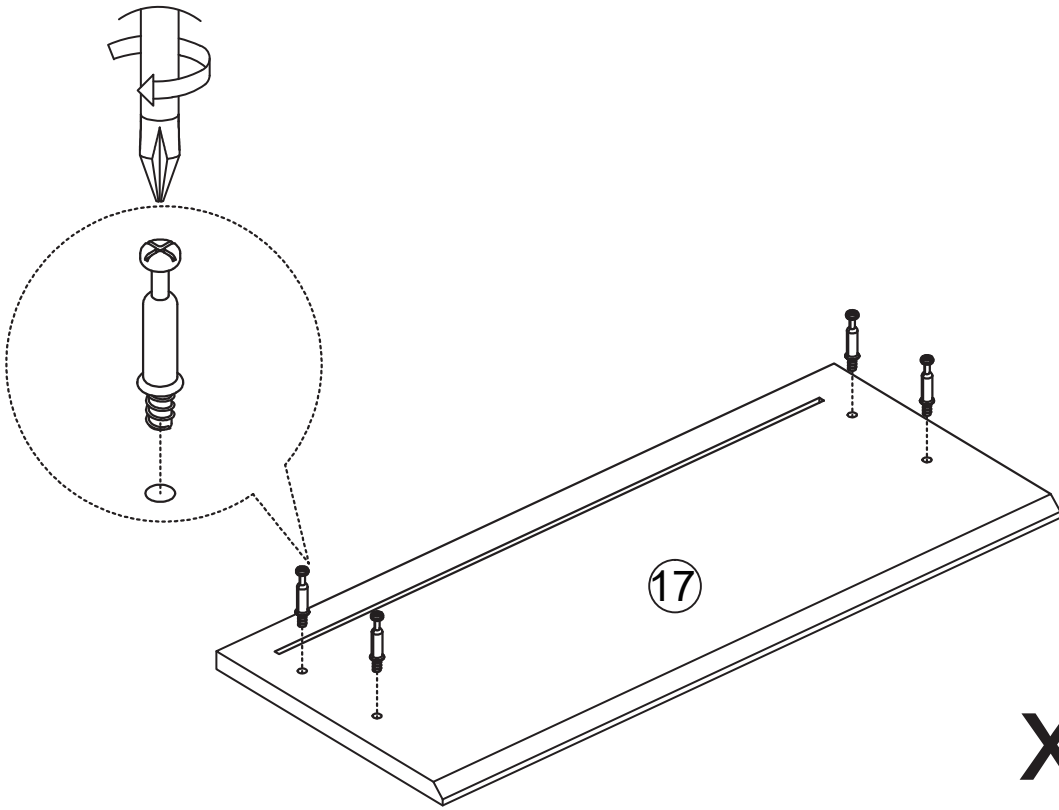
  
A x 12



x 3

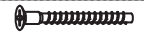
20

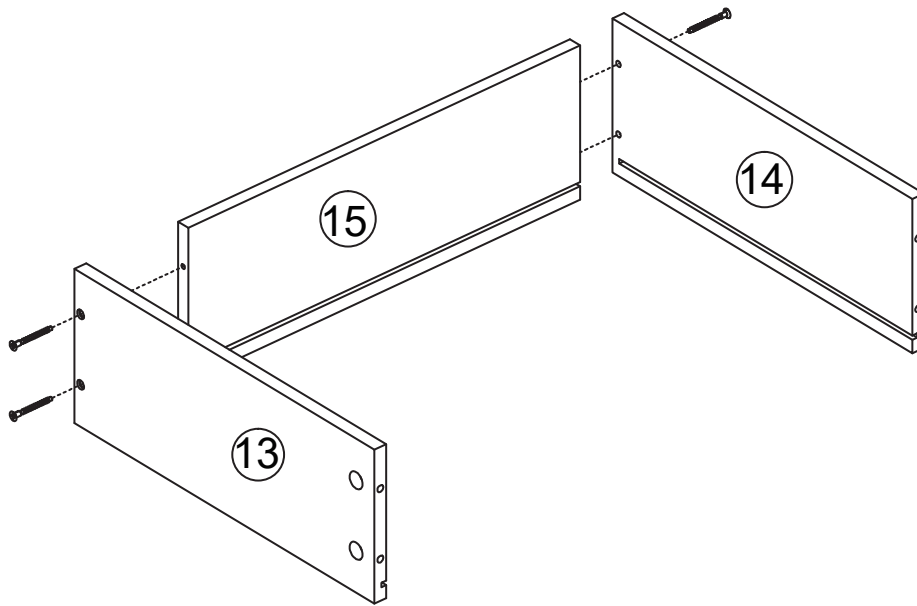
  
A x 12



x 3


21

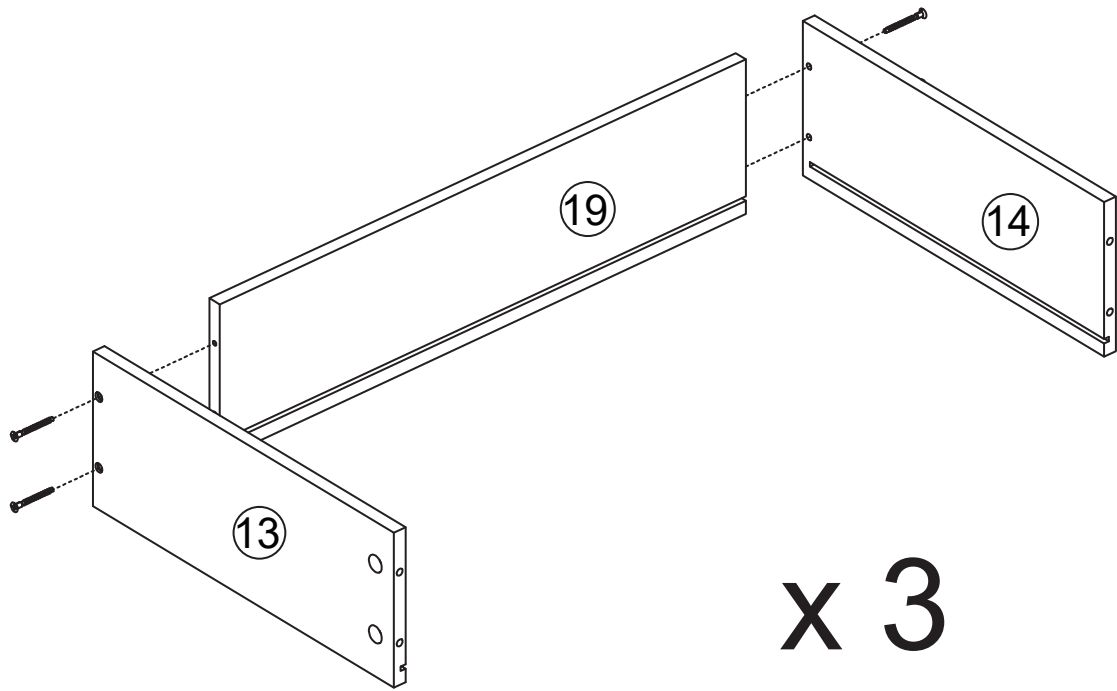
  
E x 24




x 6

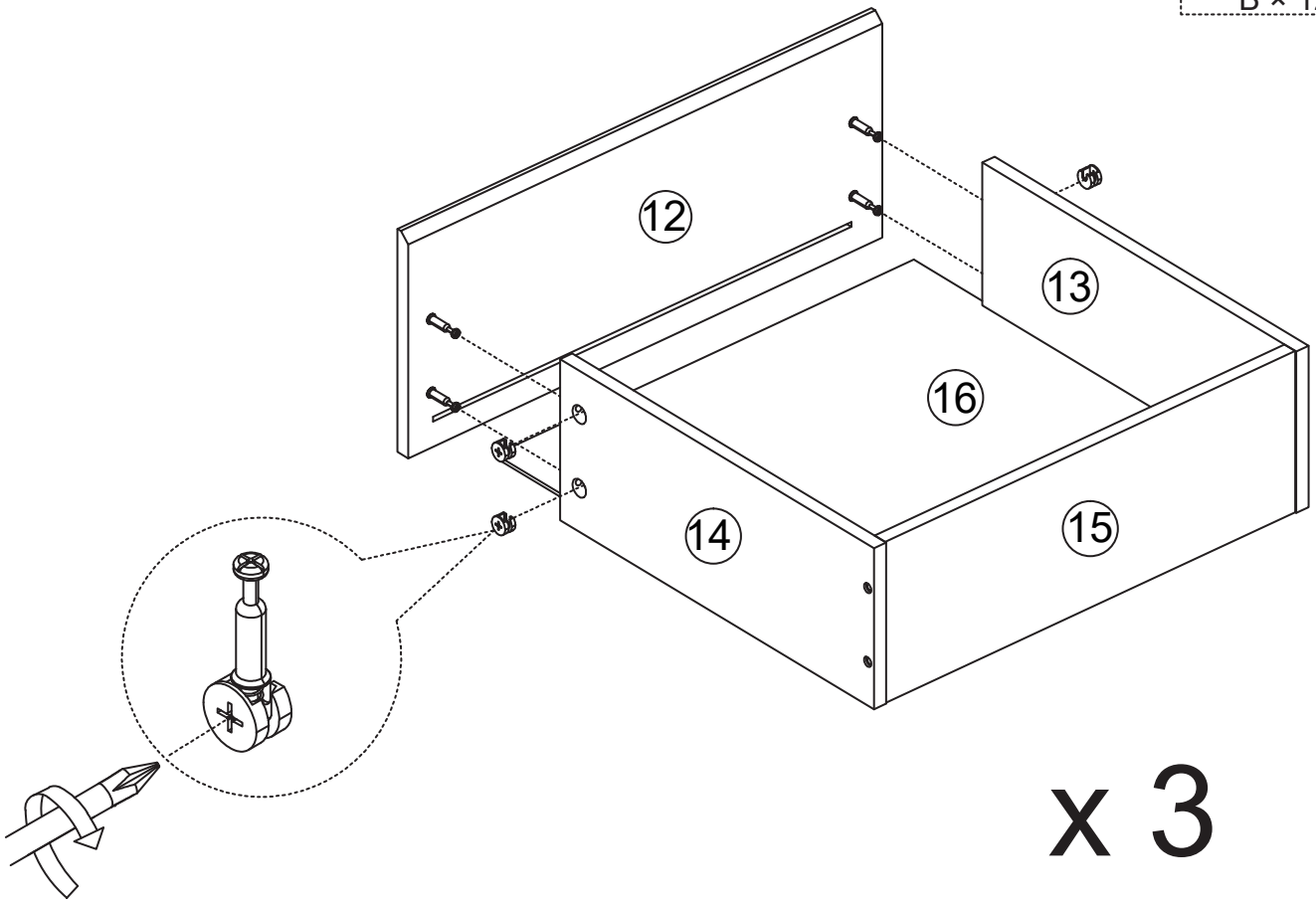
22

  
E x 12




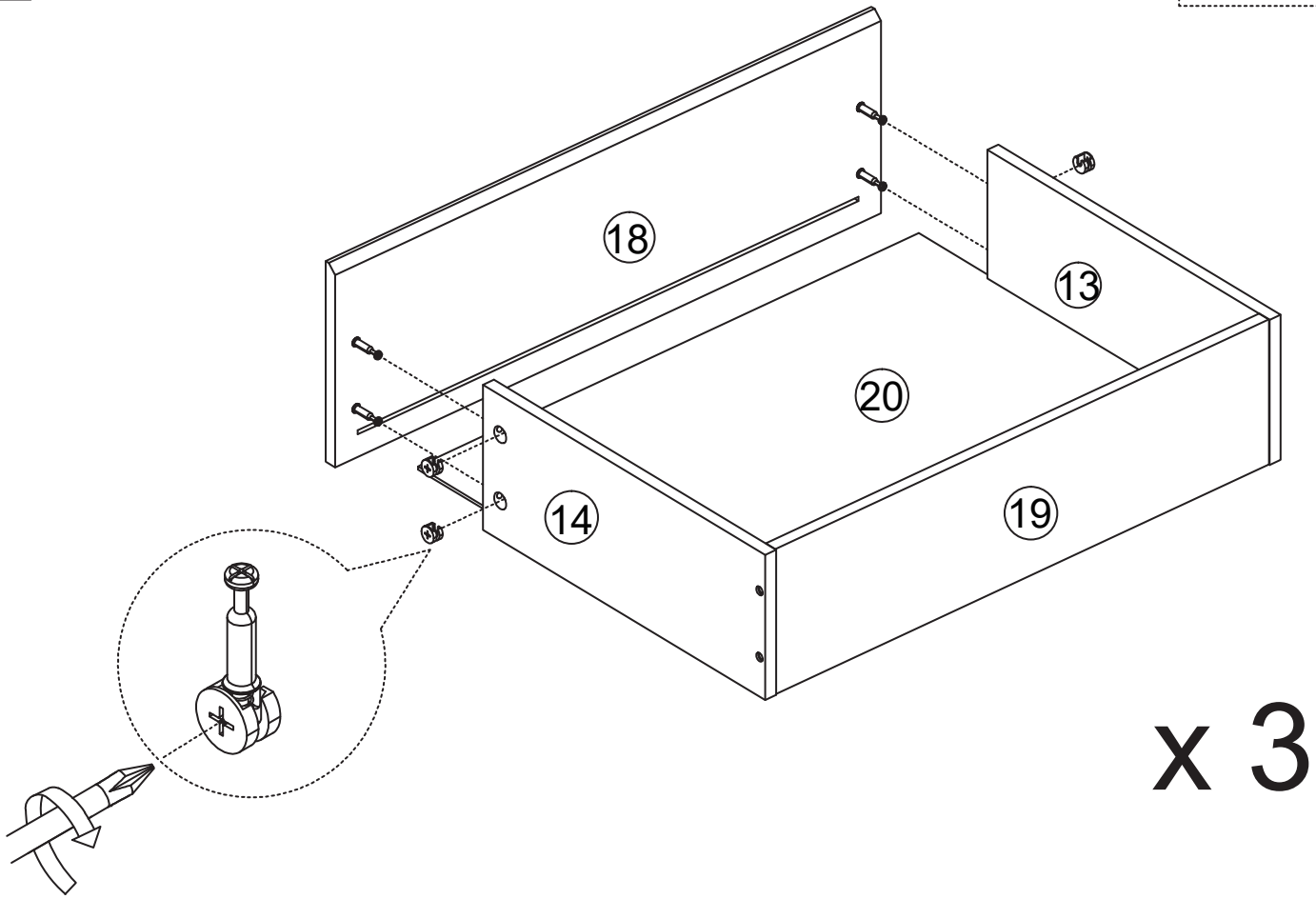
23

  
B x 12



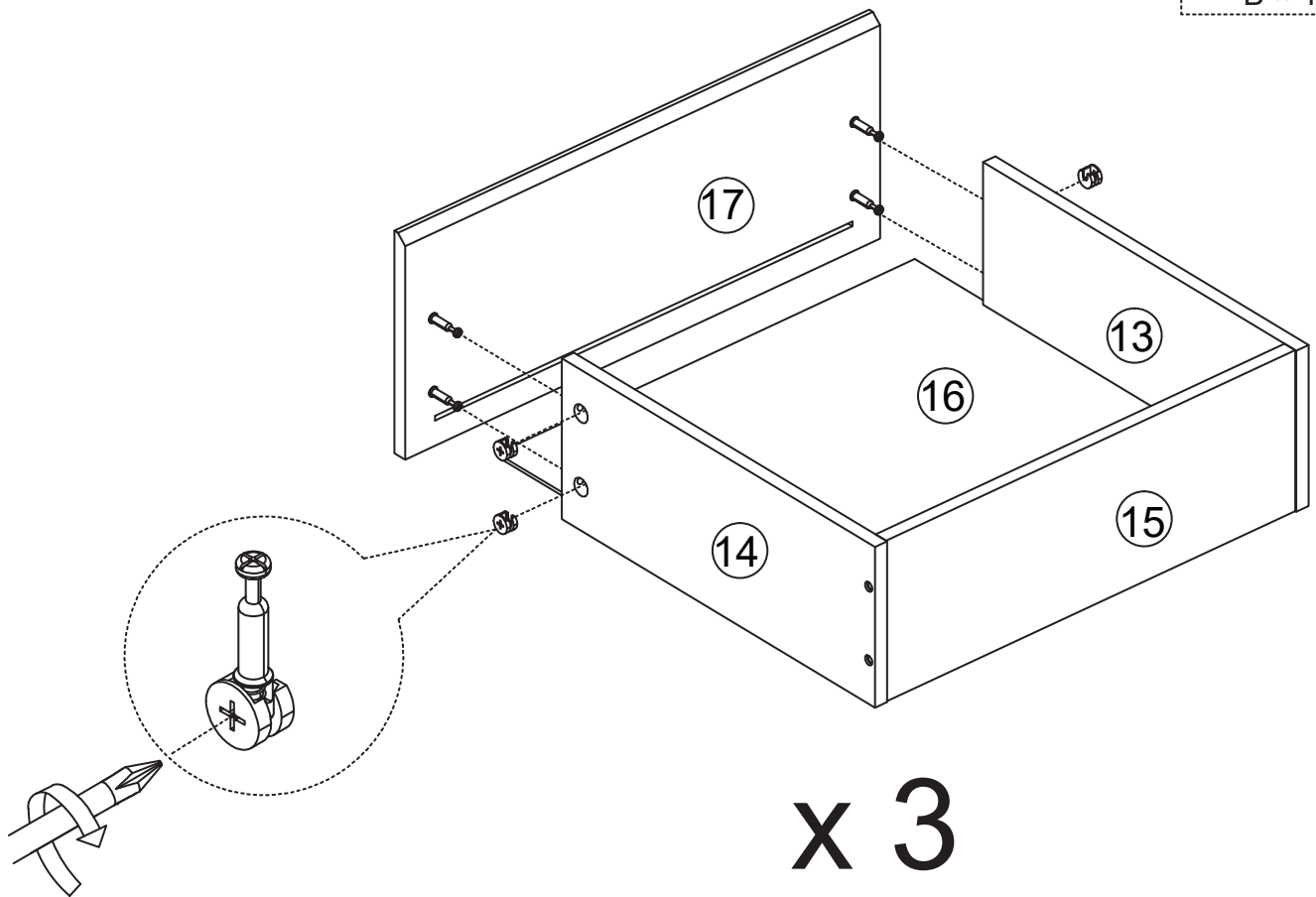
24

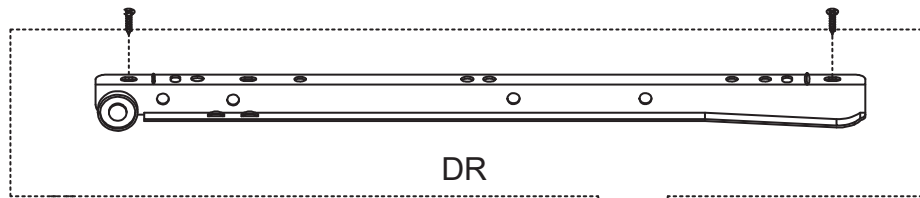
  
B x 12



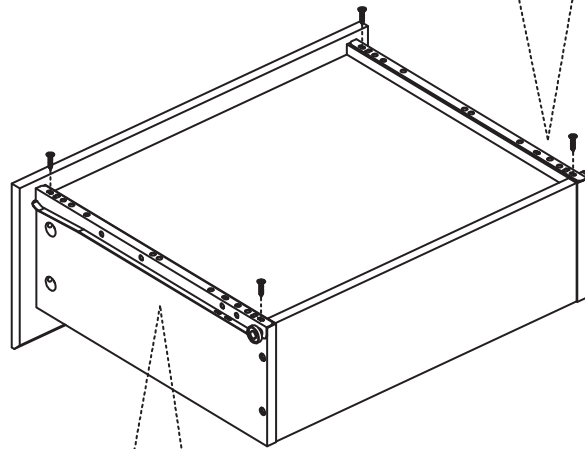
25

  
B x 12

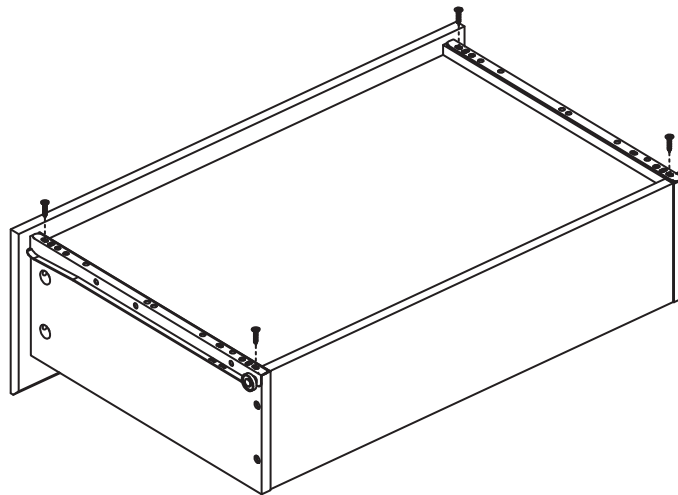
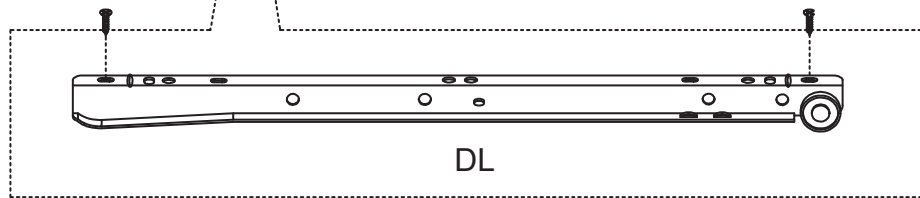




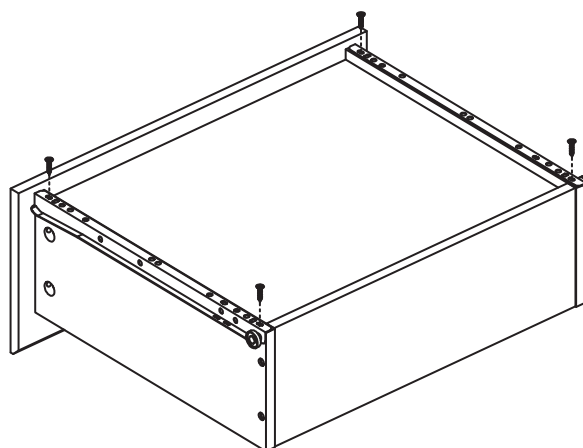
- DR x 9
- DL x 9
- D x 36



x 3

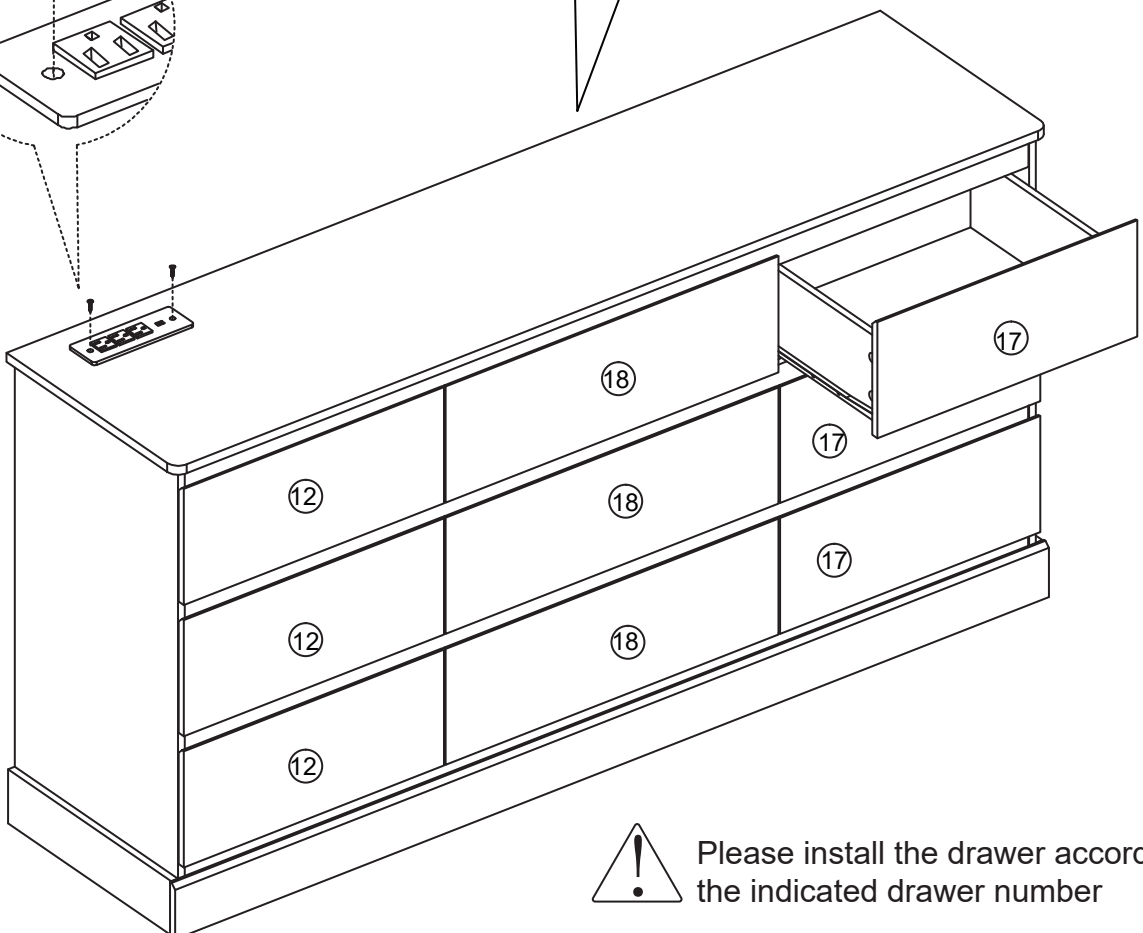
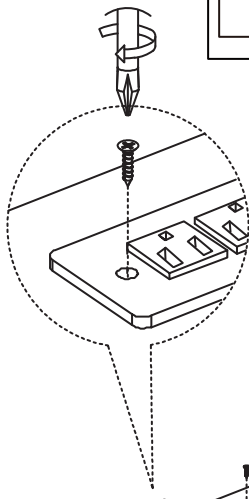
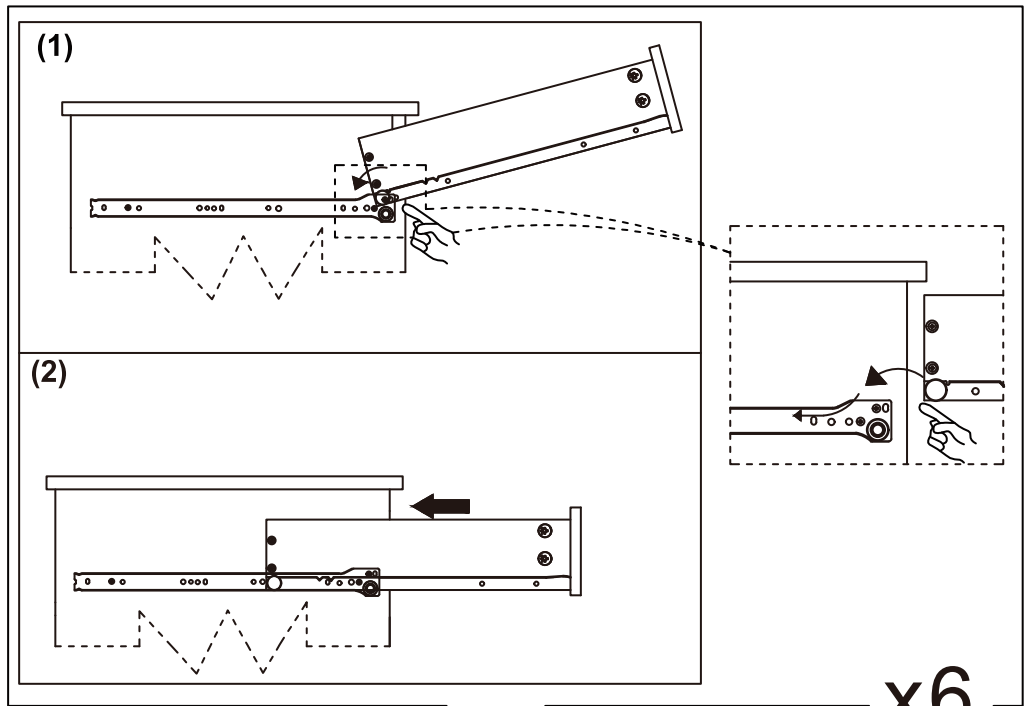


x 3





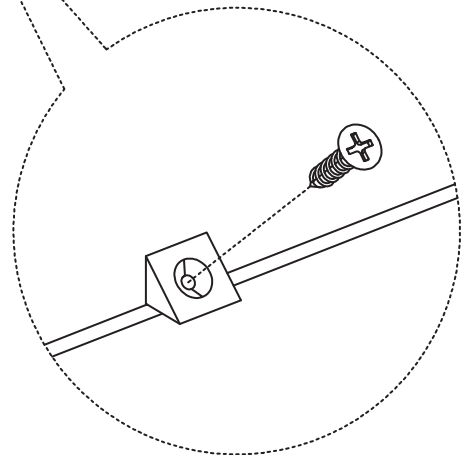
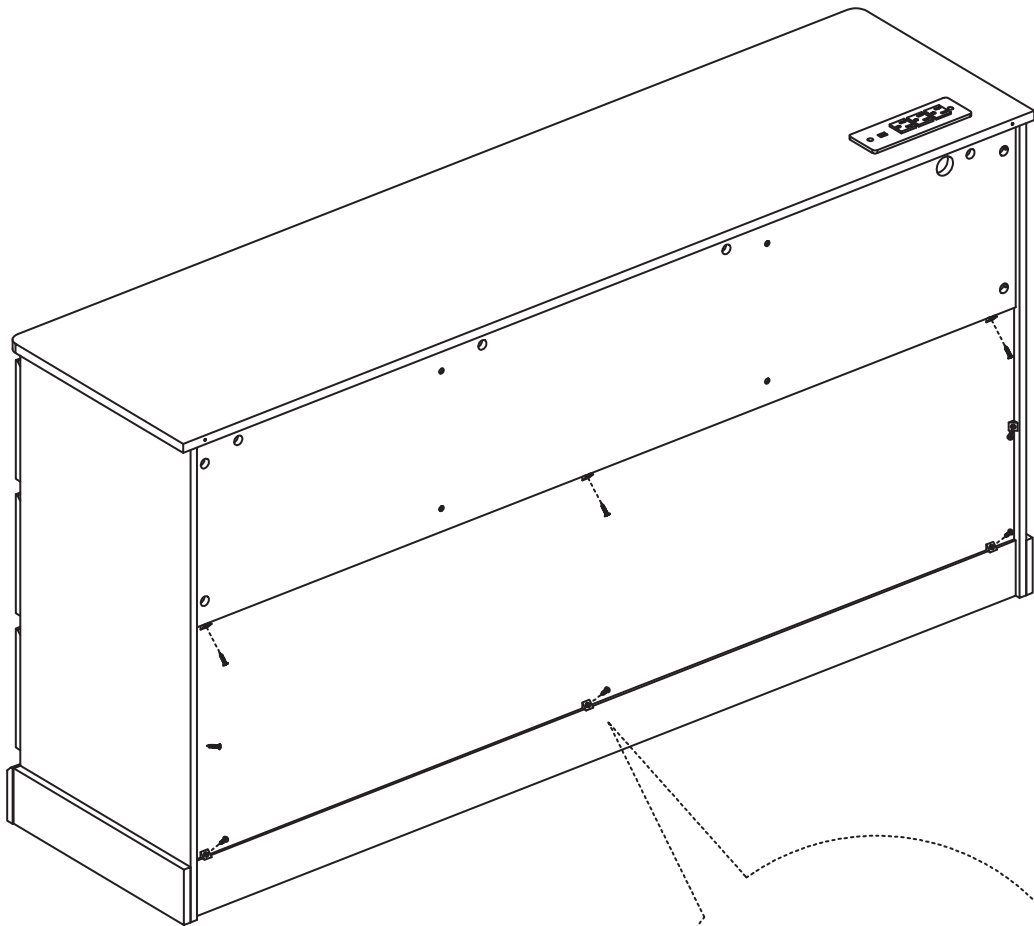
x 3

H x 1  
D x 2

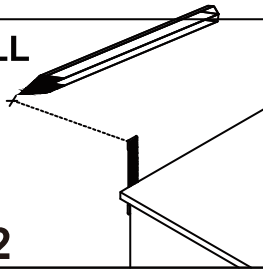


Please install the drawer according to the indicated drawer number


I x 10

D x 10

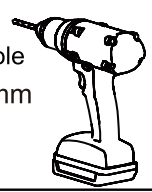


**WALL**



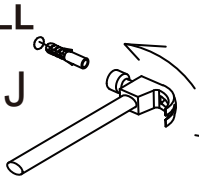
**I** x2

**WALL** +  
drilling hole  
Ø8x50mm



**II** x2

**WALL**



**J**

**III** x2

