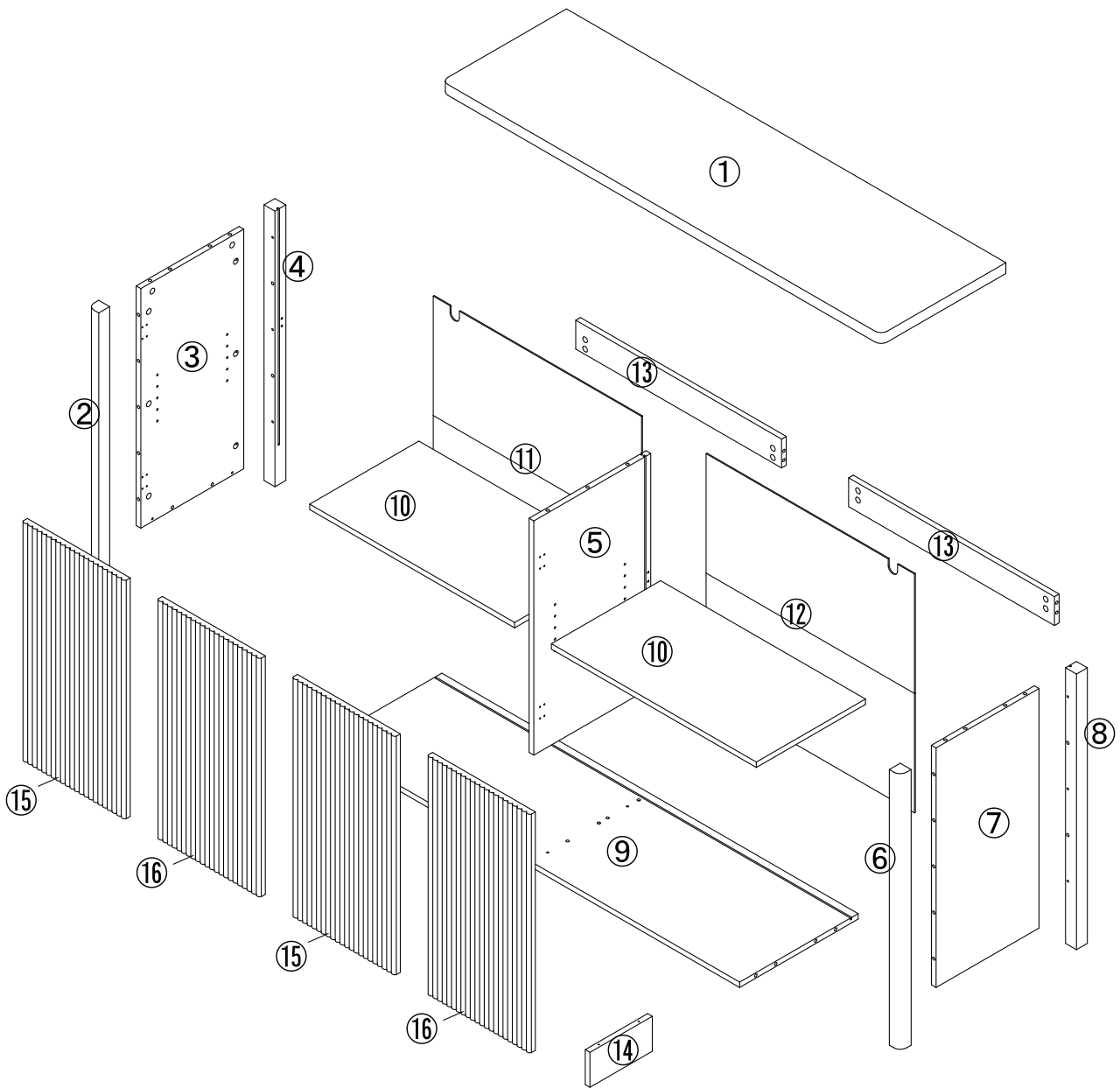


FLUTED SIDEBOARD

USER MANUAL

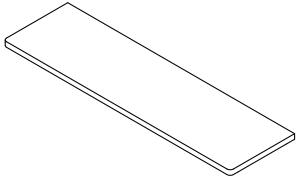
1

ASSEMBLY INSTRUCTIONS



2

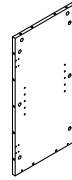
PACKAGING LIST



①x1



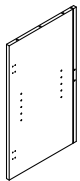
②x1



③x1



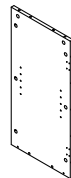
④x1



⑤x1



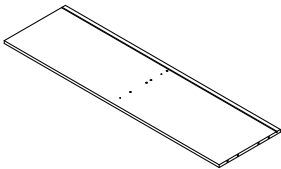
⑥x1



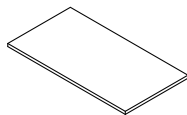
⑦x1



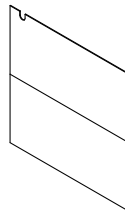
⑧x1



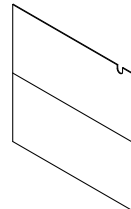
⑨x1



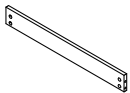
⑩x2



⑪x1



⑫x1



⑬x2



⑭x1

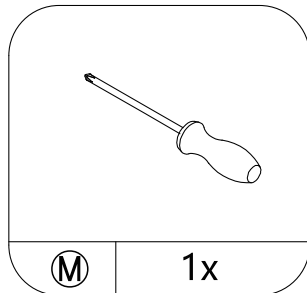
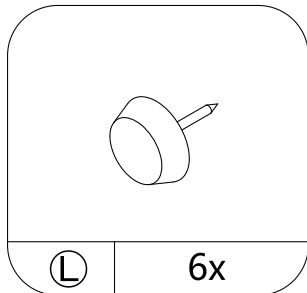
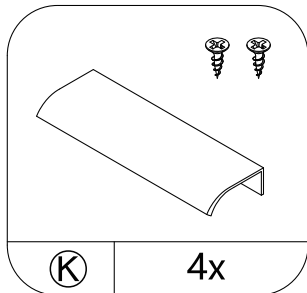
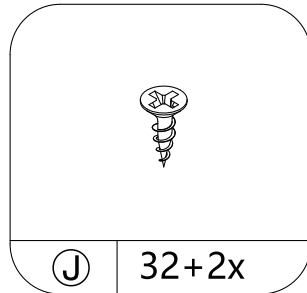
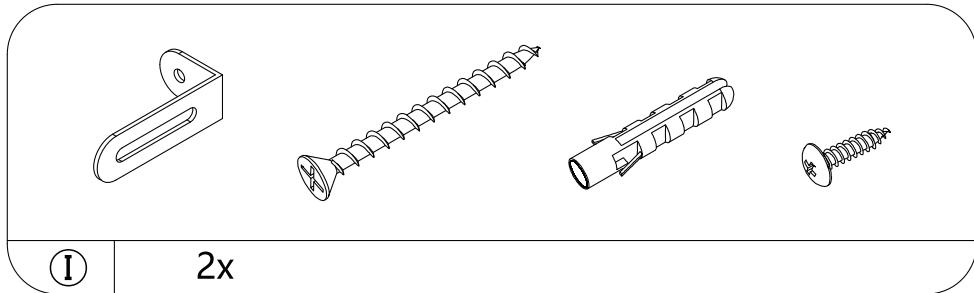
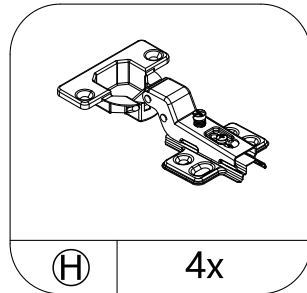
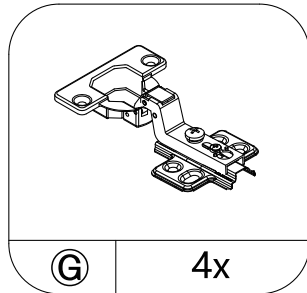
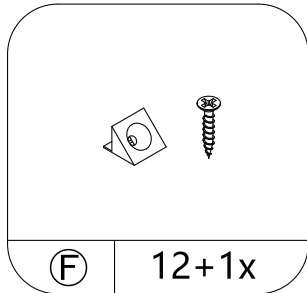
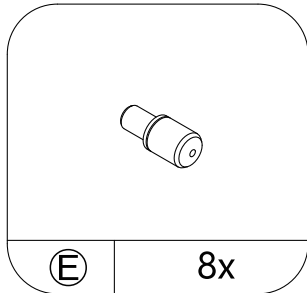
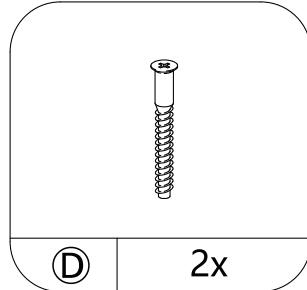
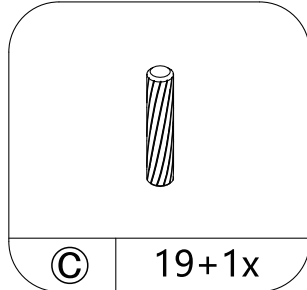
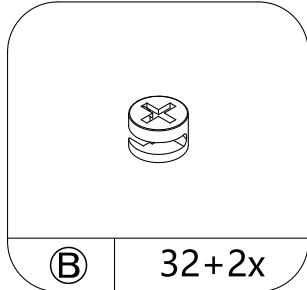
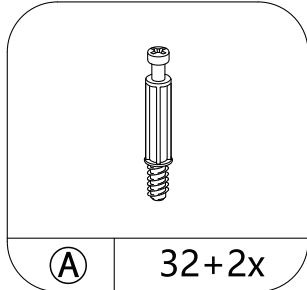


⑮x2



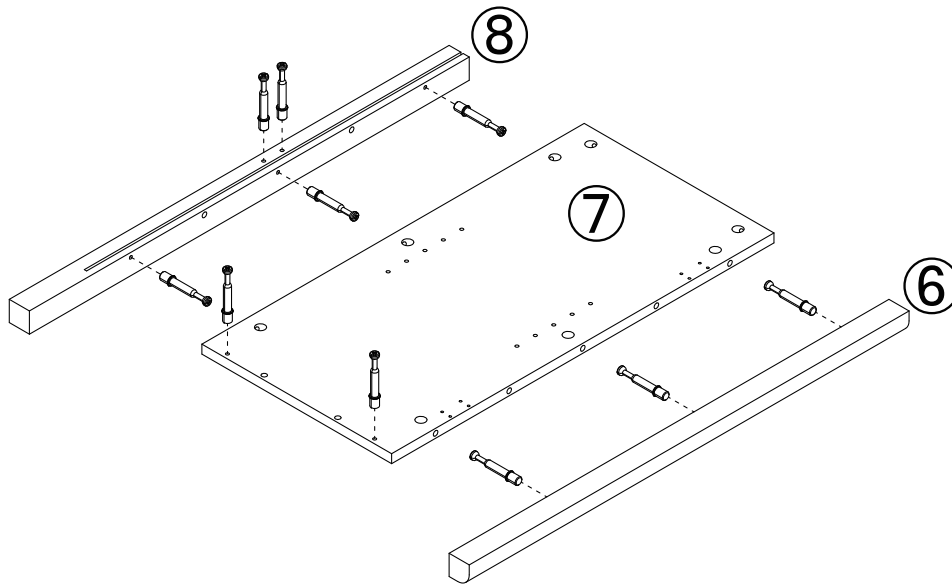
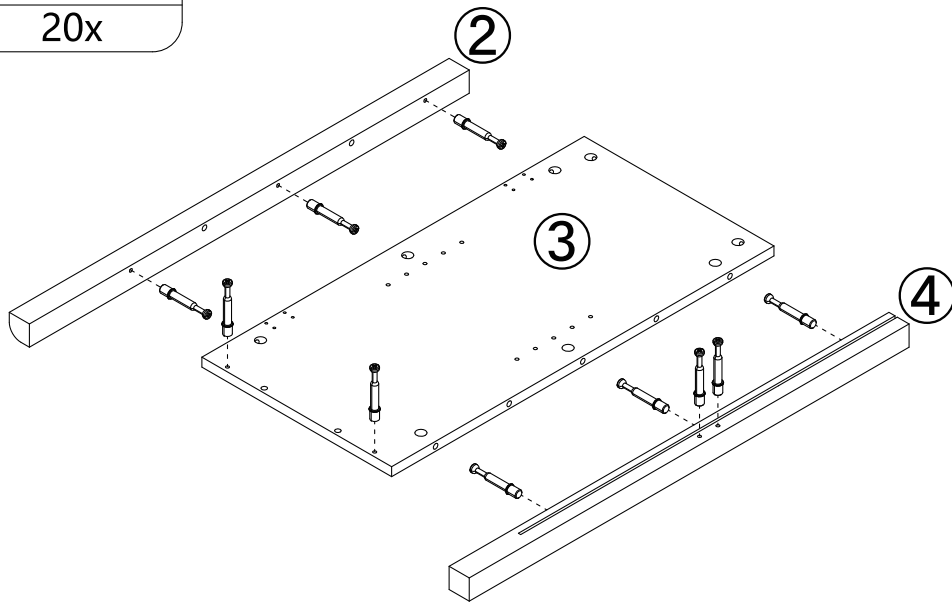
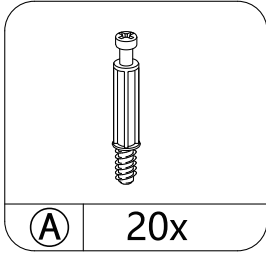
⑯x2

PACKAGING LIST



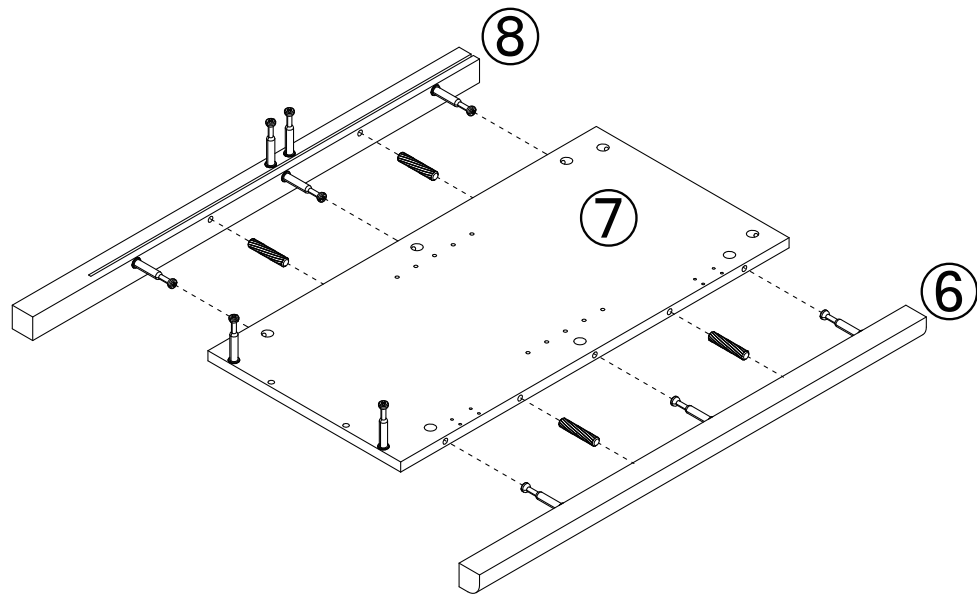
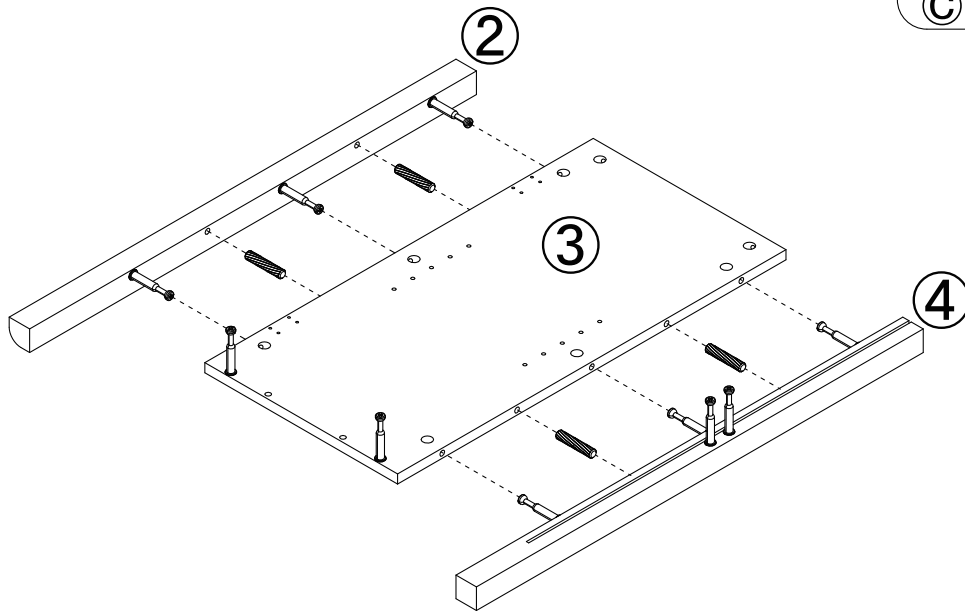
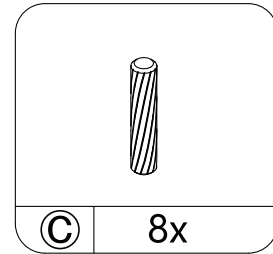
4

STEP 1



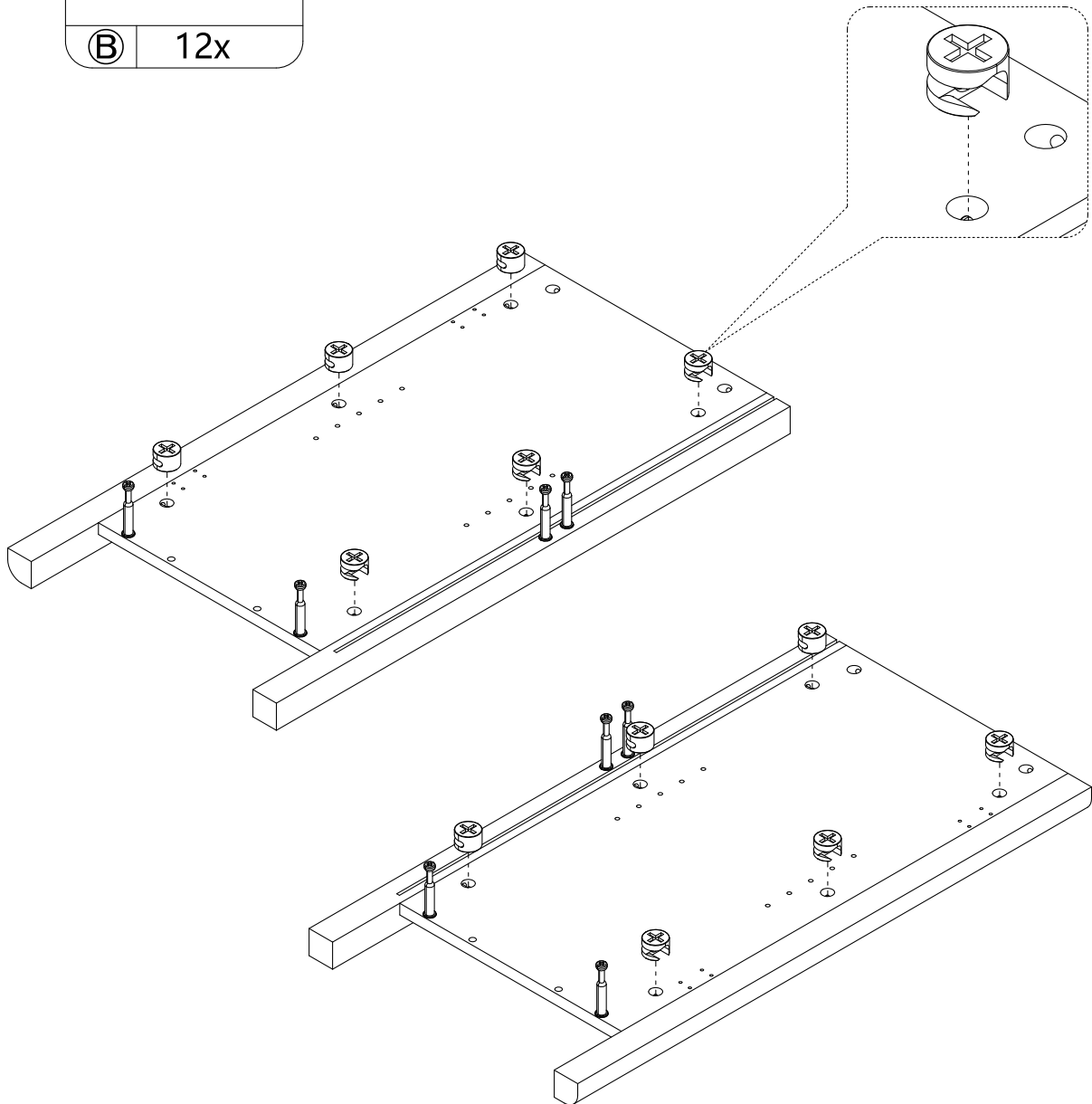
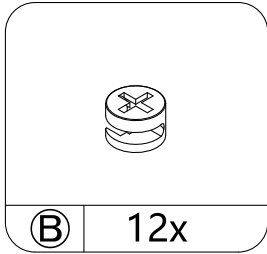
5

STEP 2



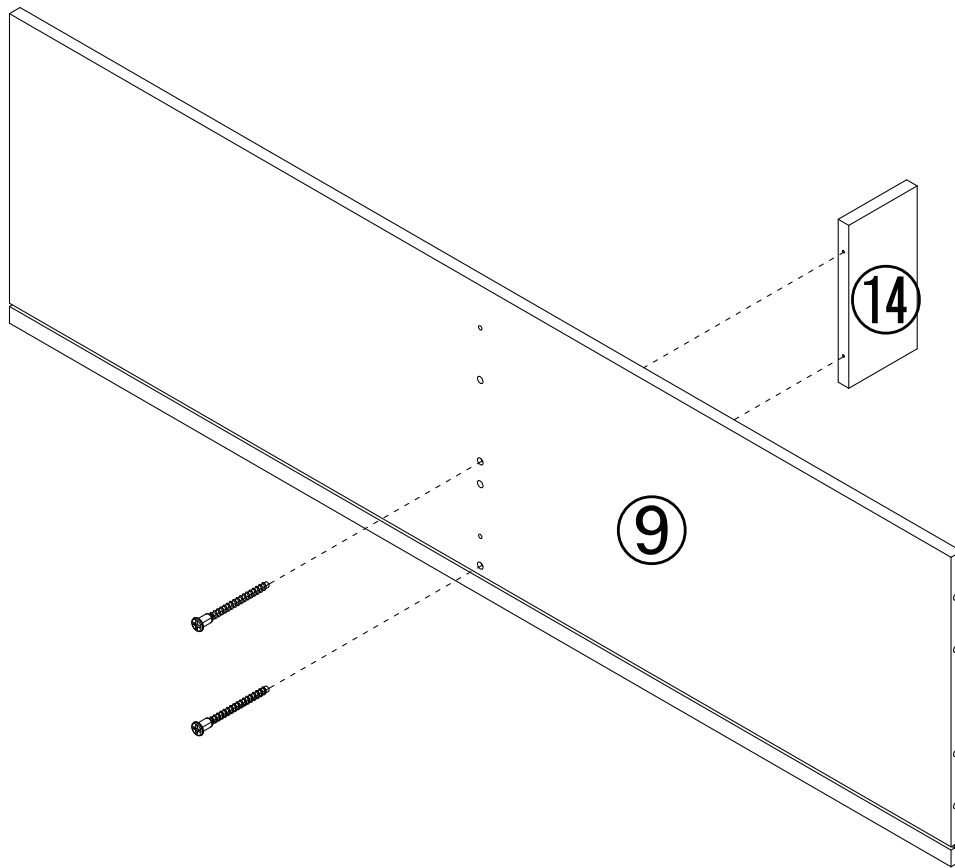
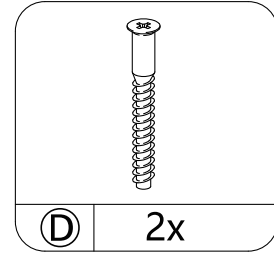
6

STEP 3



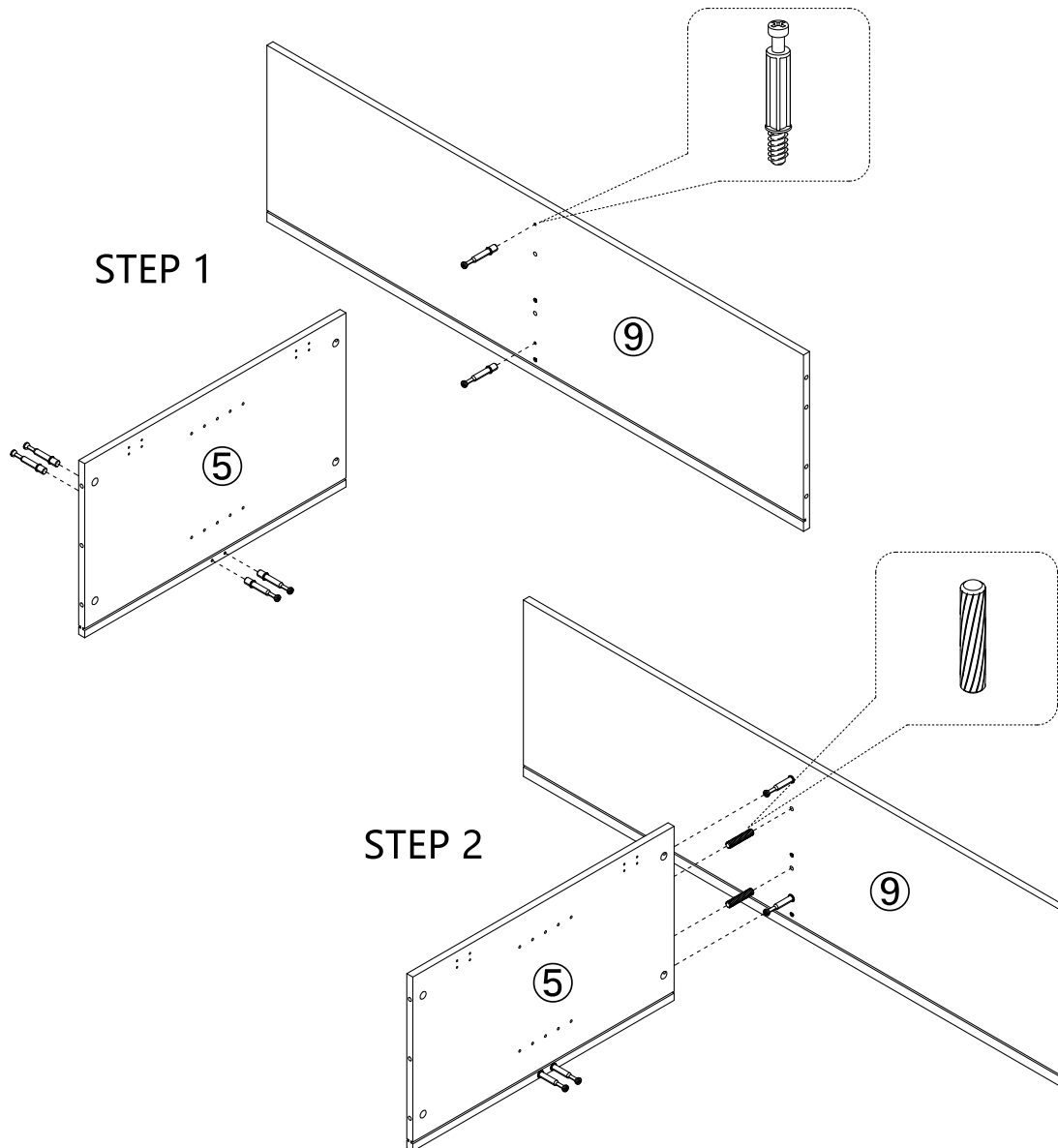
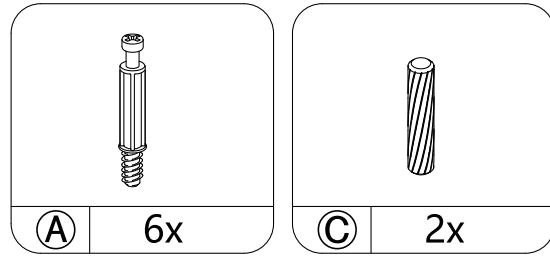
7

STEP 4



8

STEP 5

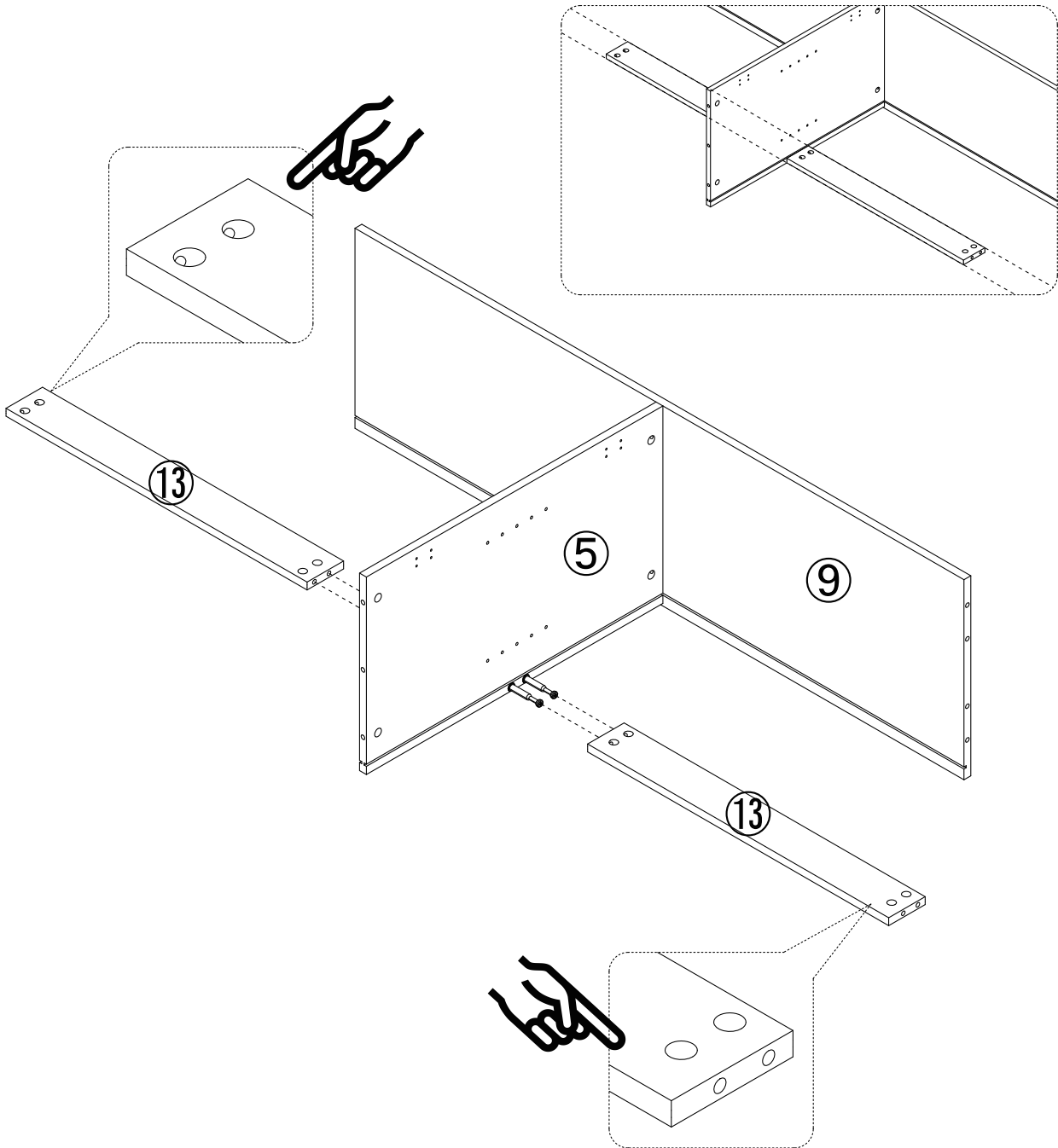


9

STEP 6

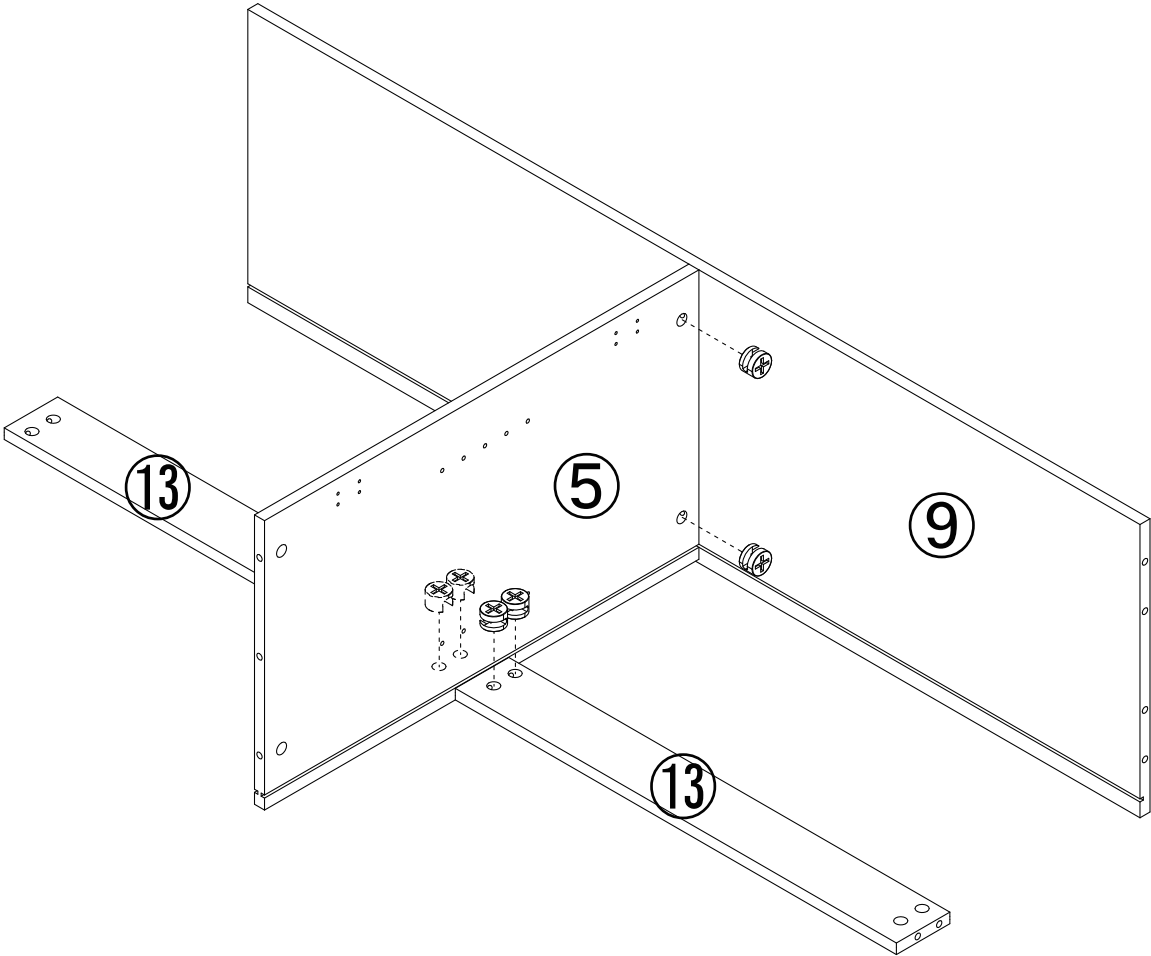
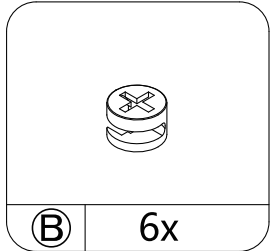
Note:

The two pieces numbered 13 should be kept at the same level

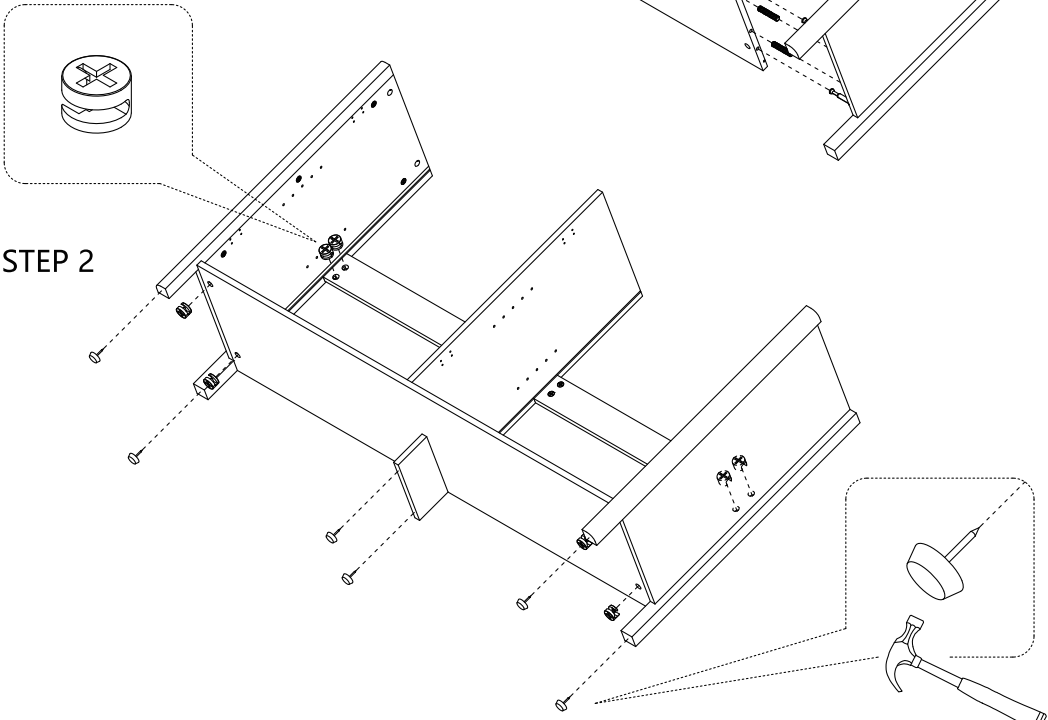
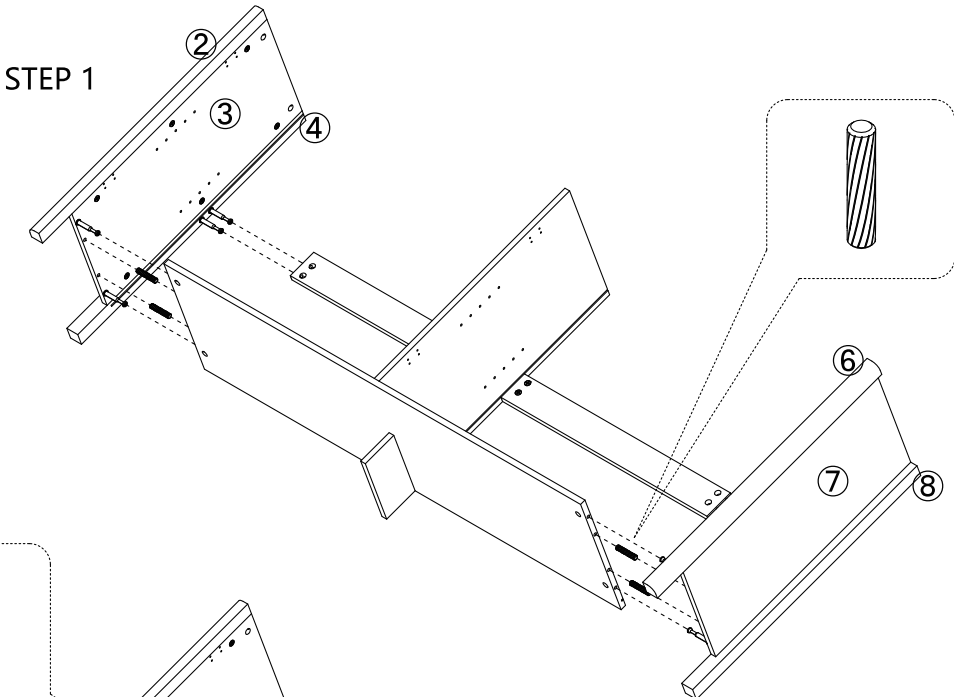
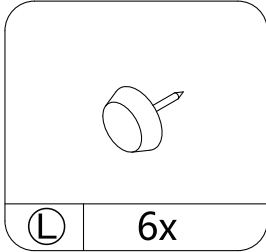
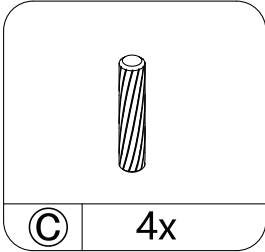
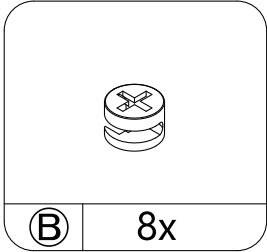


10

STEP 7

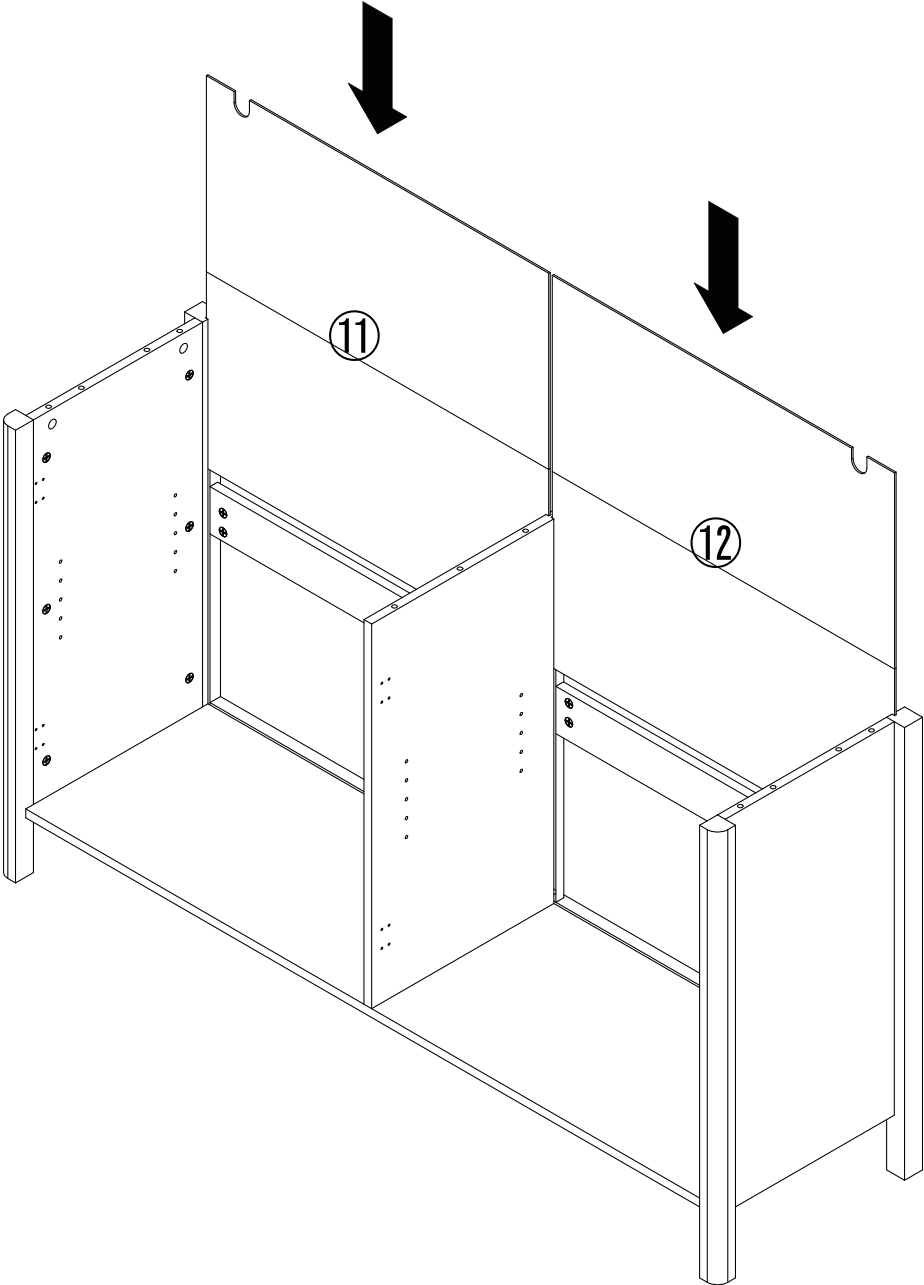


STEP 8



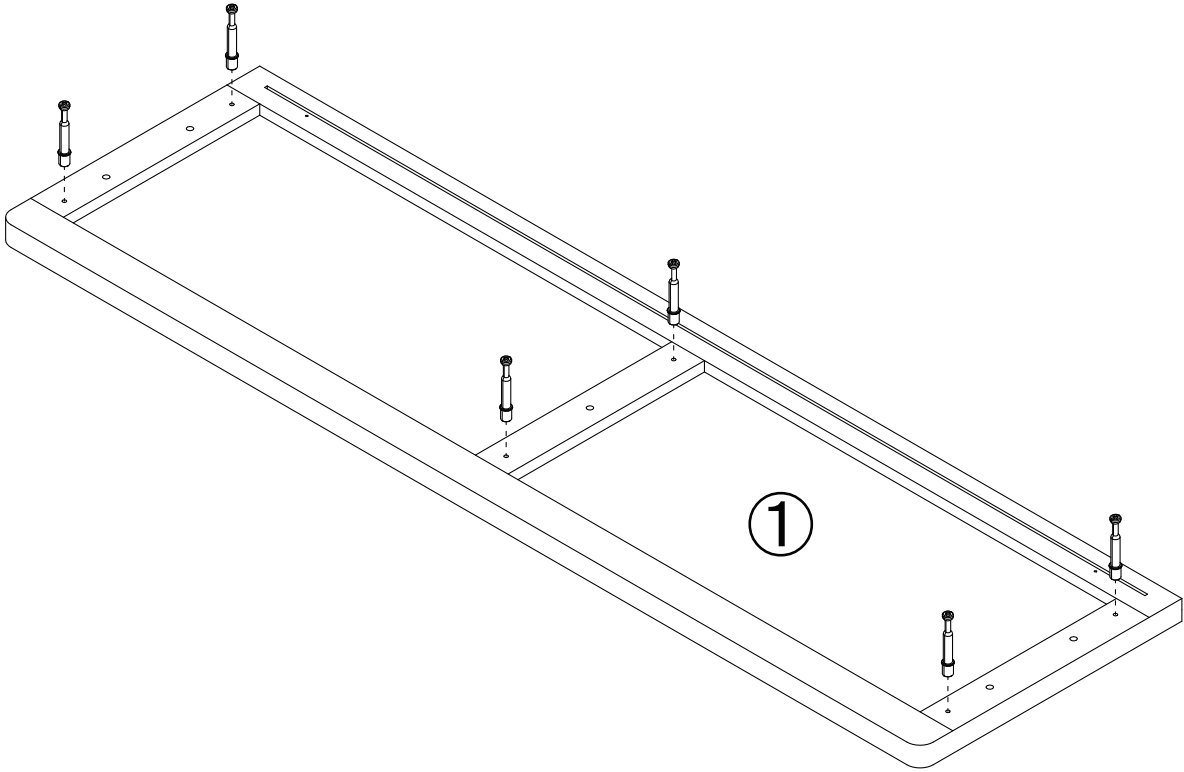
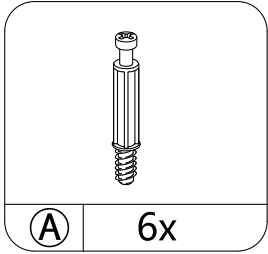
12

STEP 9

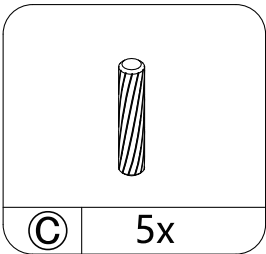
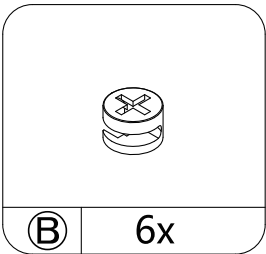


13

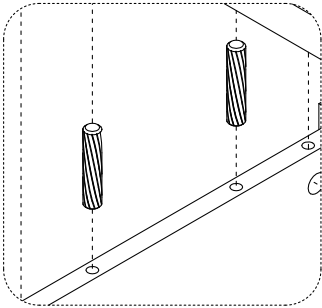
STEP 10



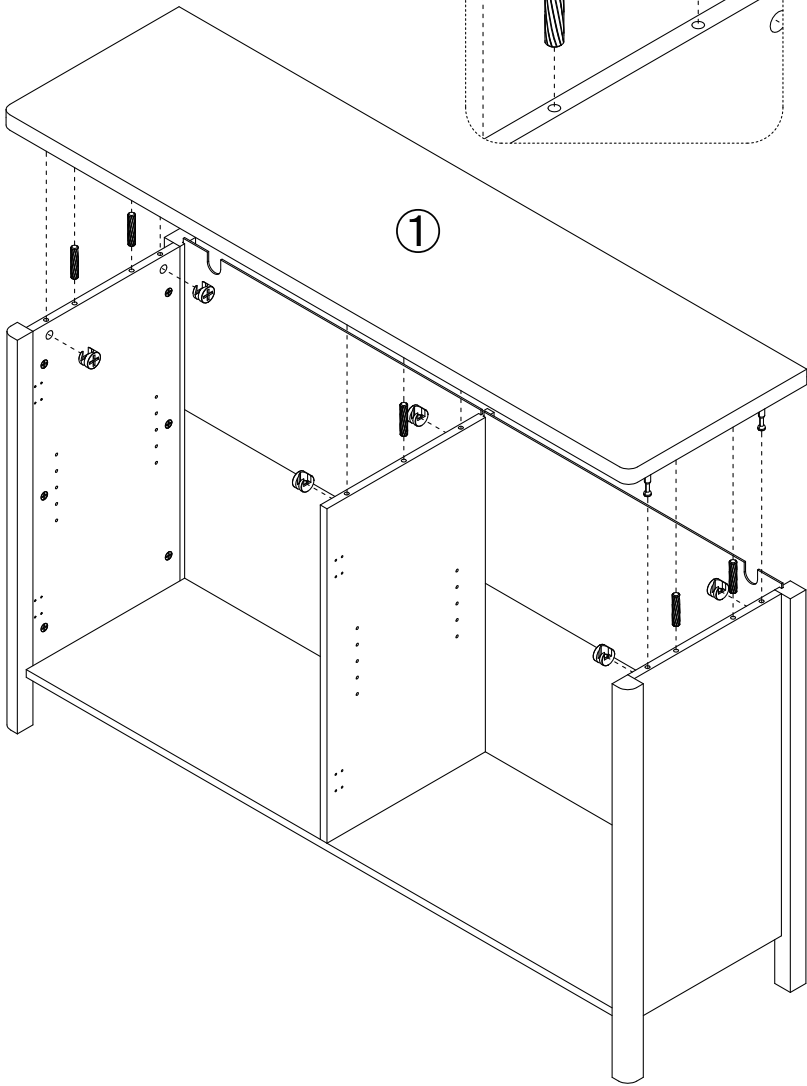
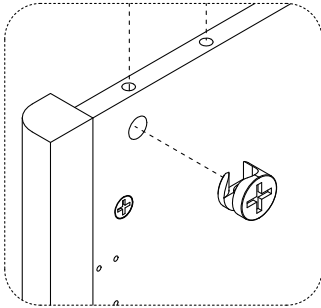
STEP 11



STEP 1

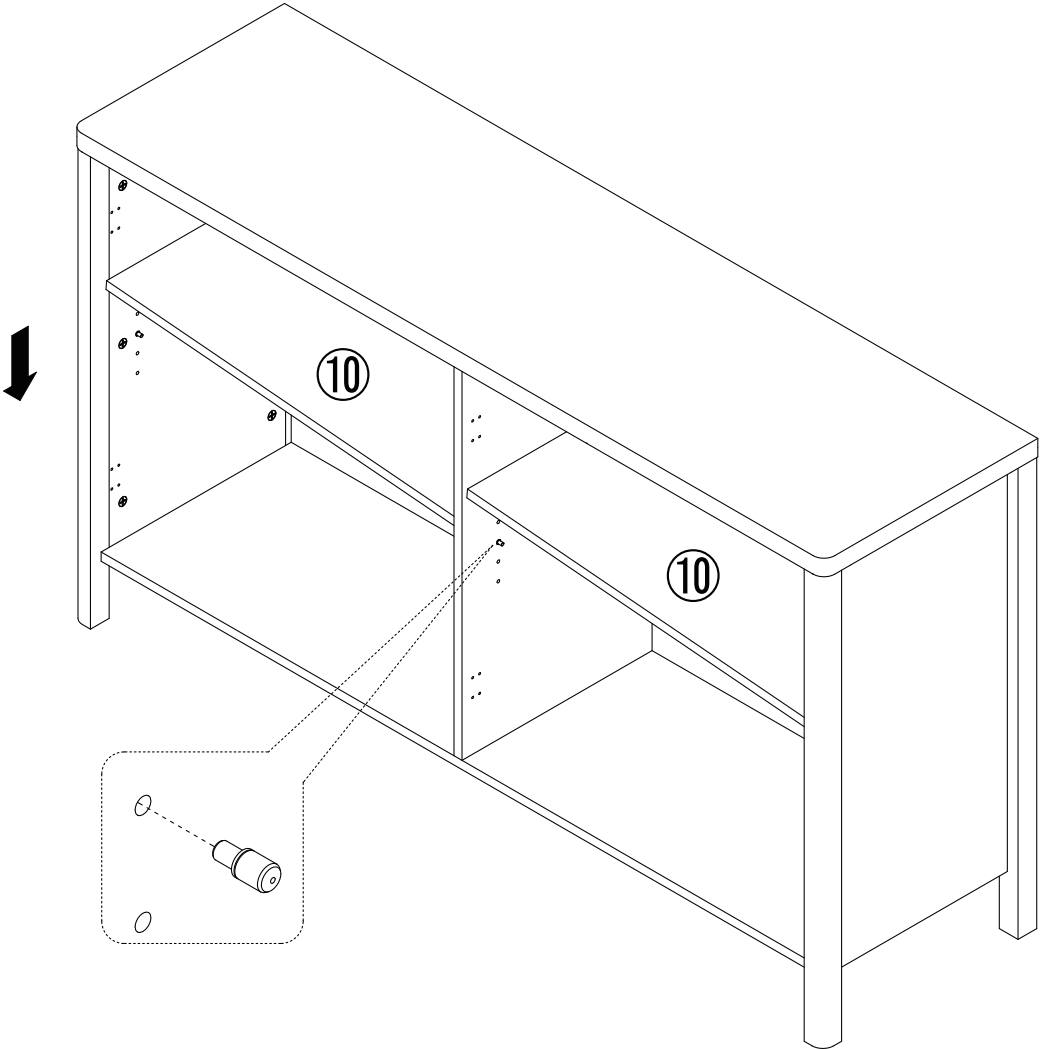
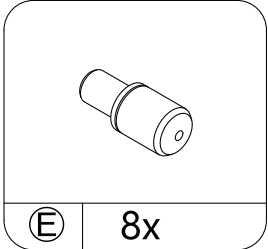


STEP 2



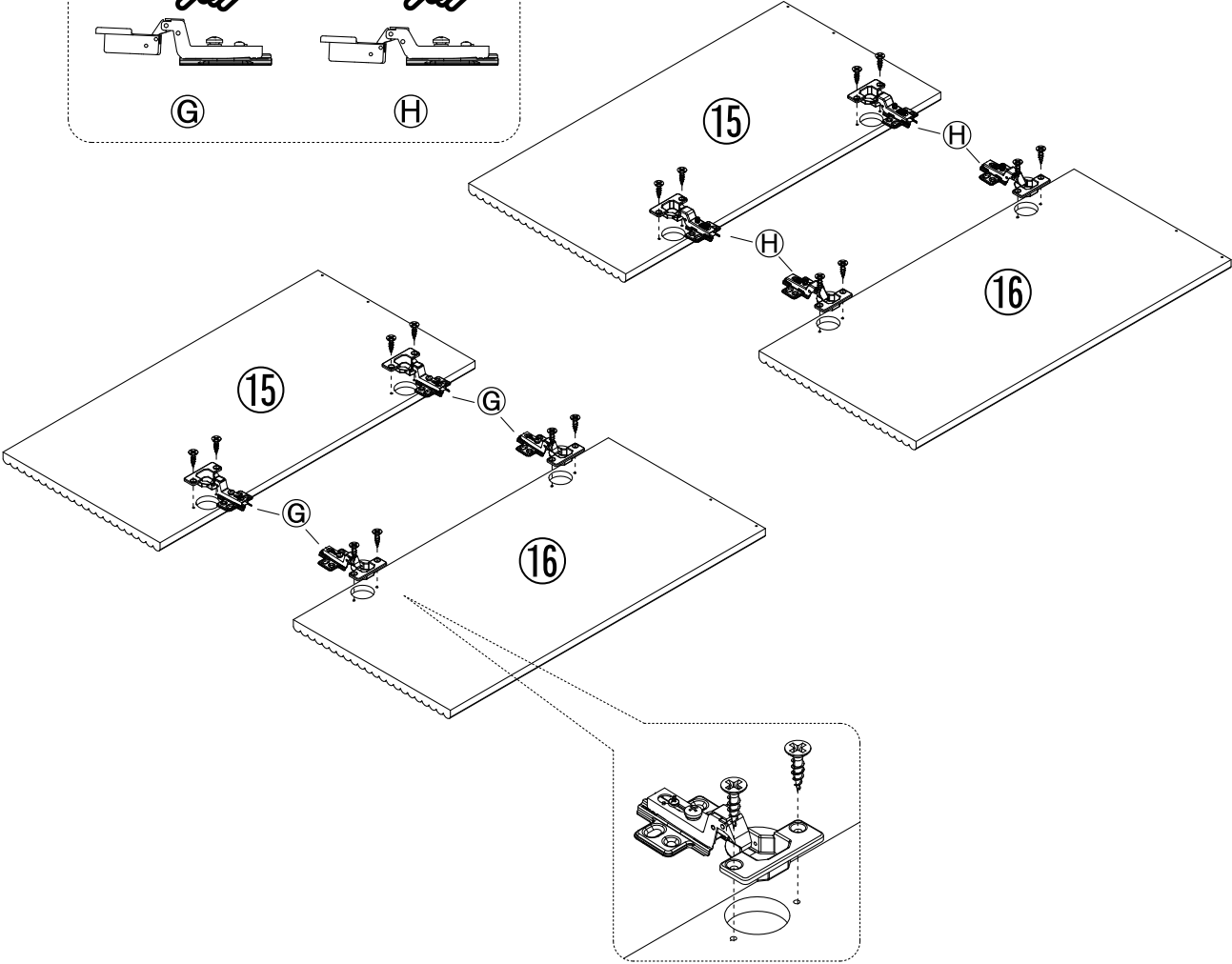
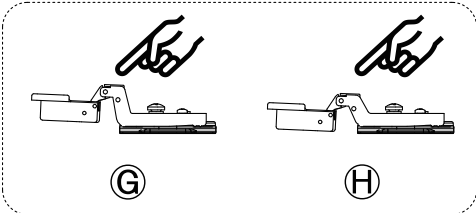
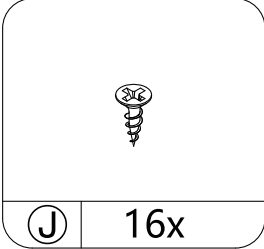
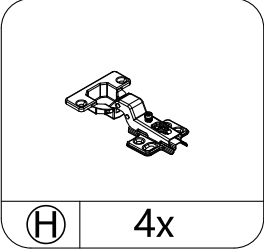
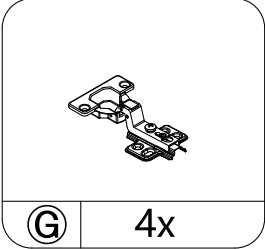
15

STEP 12



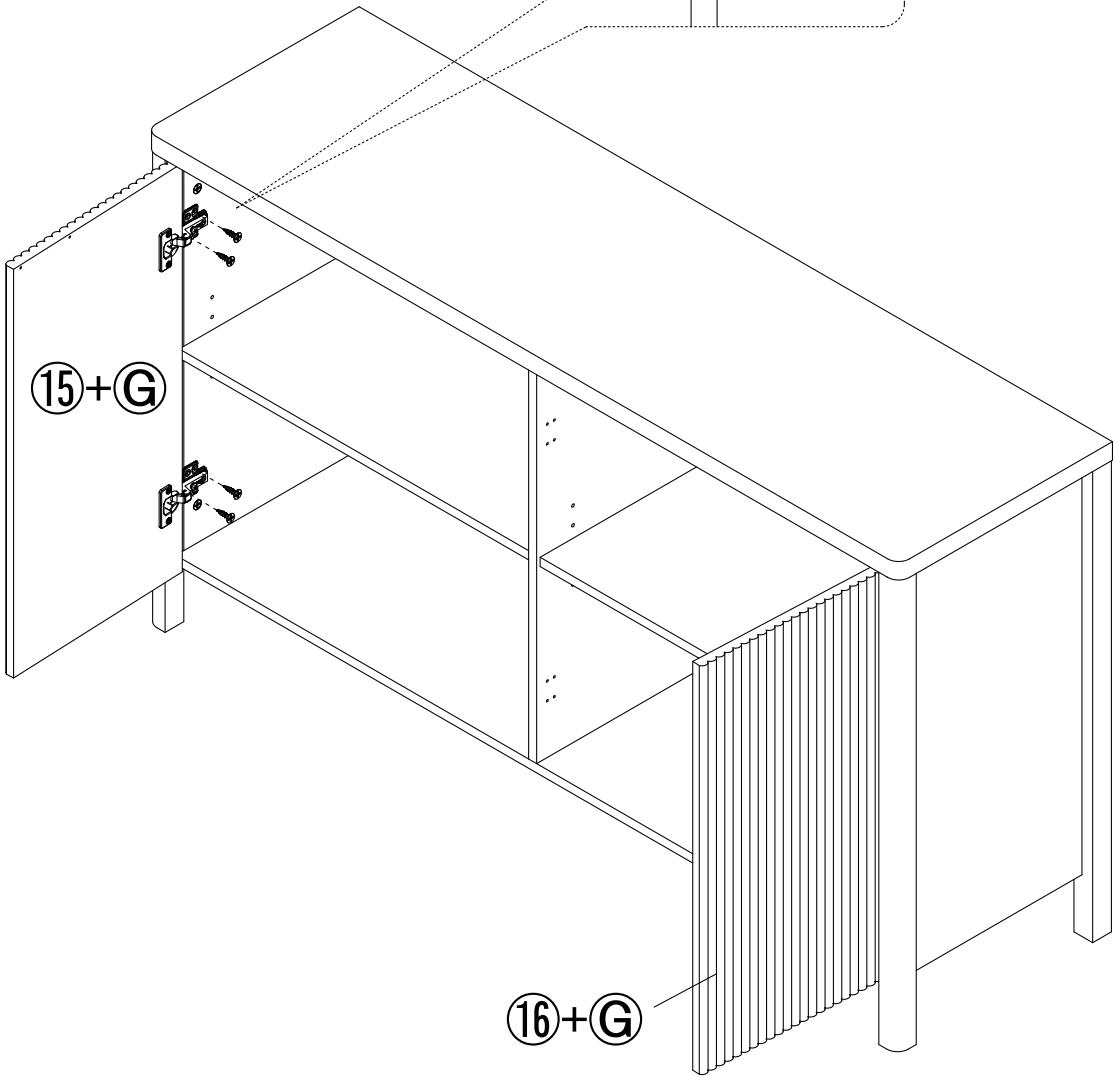
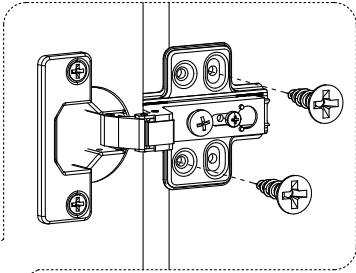
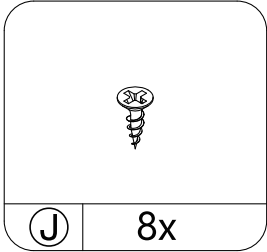
16

STEP 13

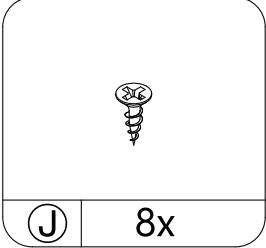


17

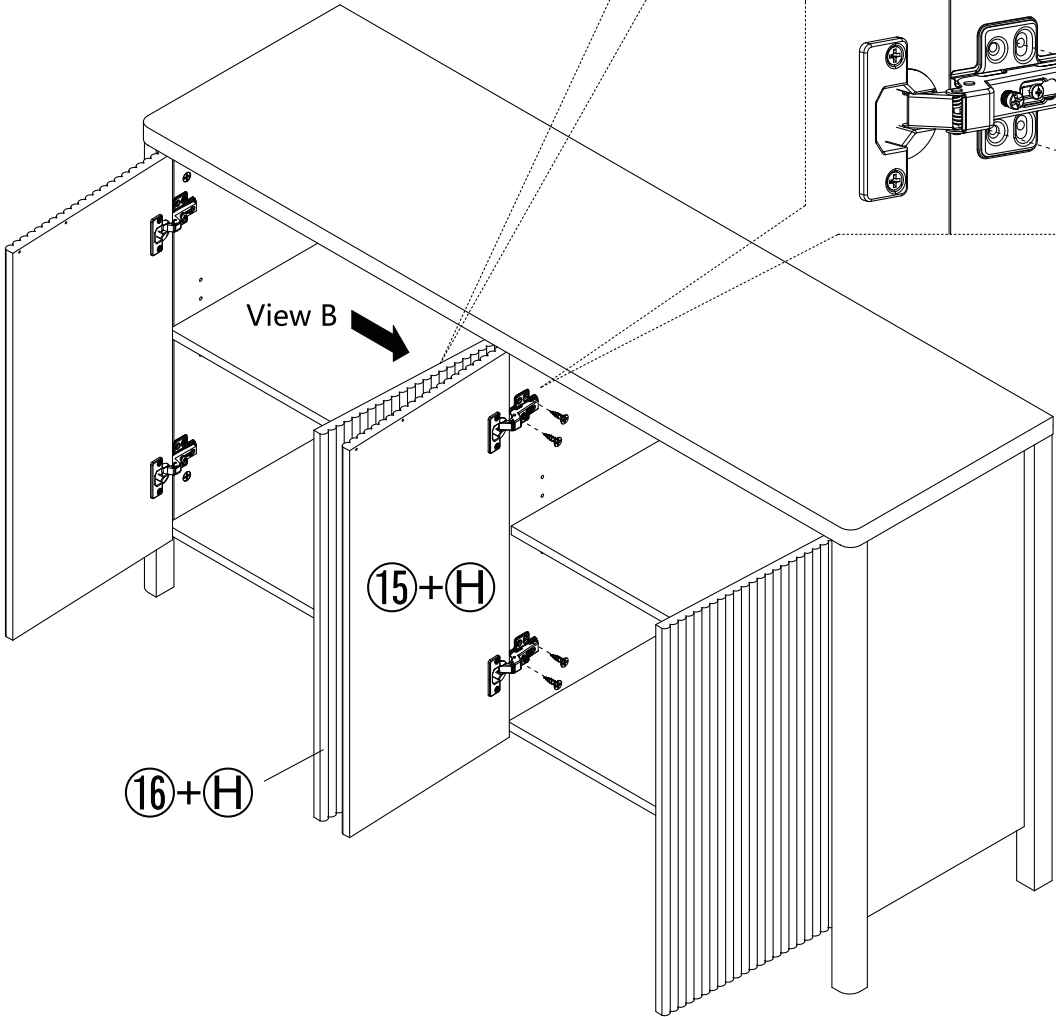
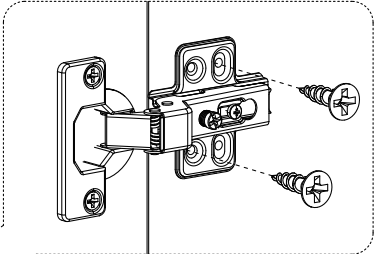
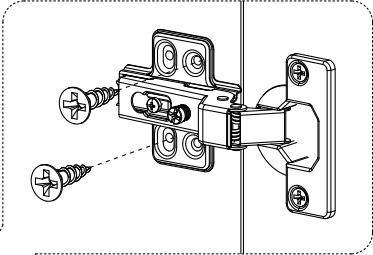
STEP 14



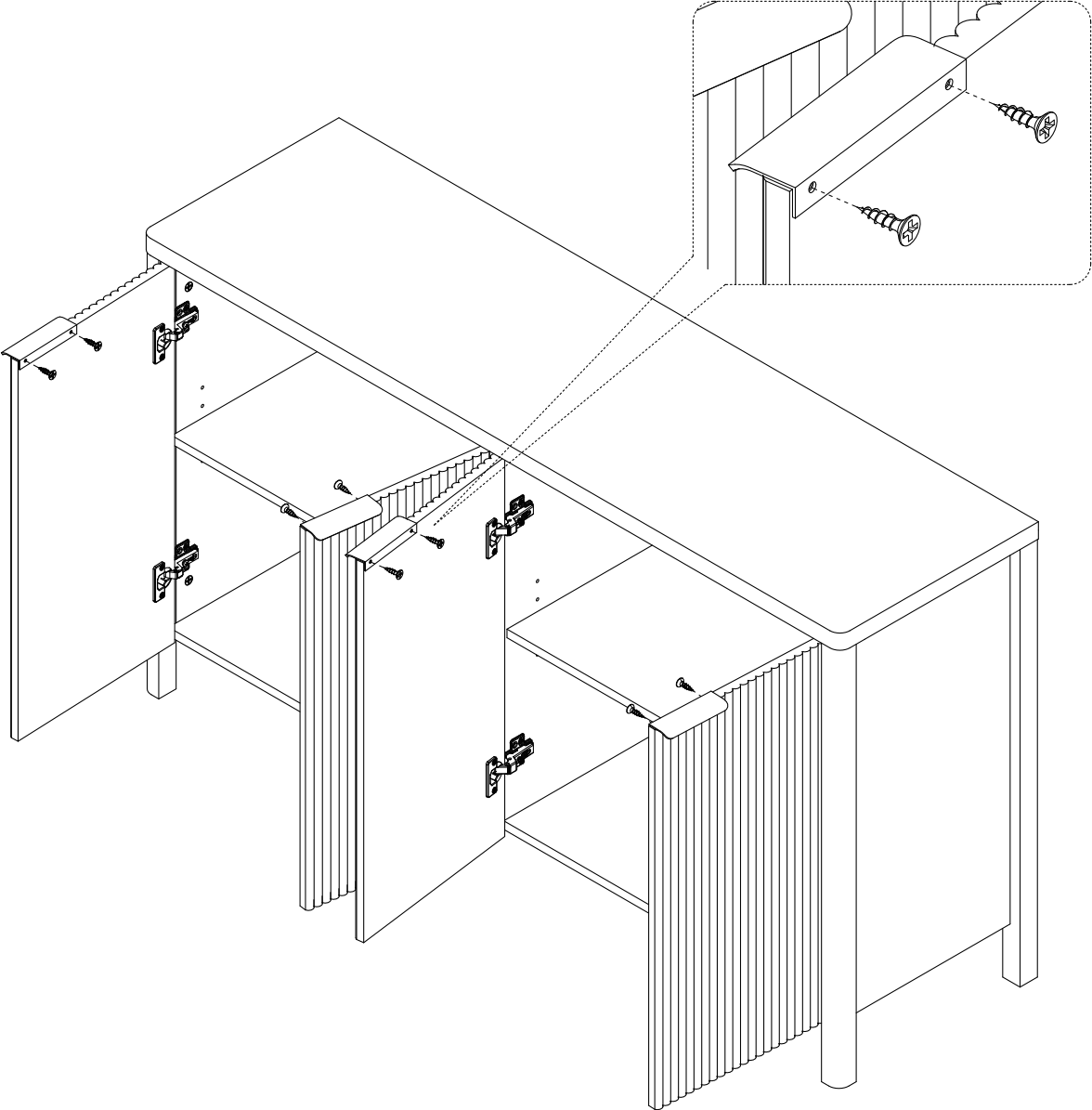
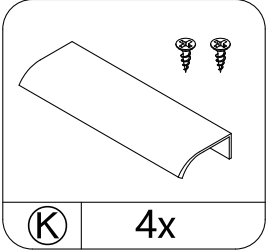
STEP 15



View B

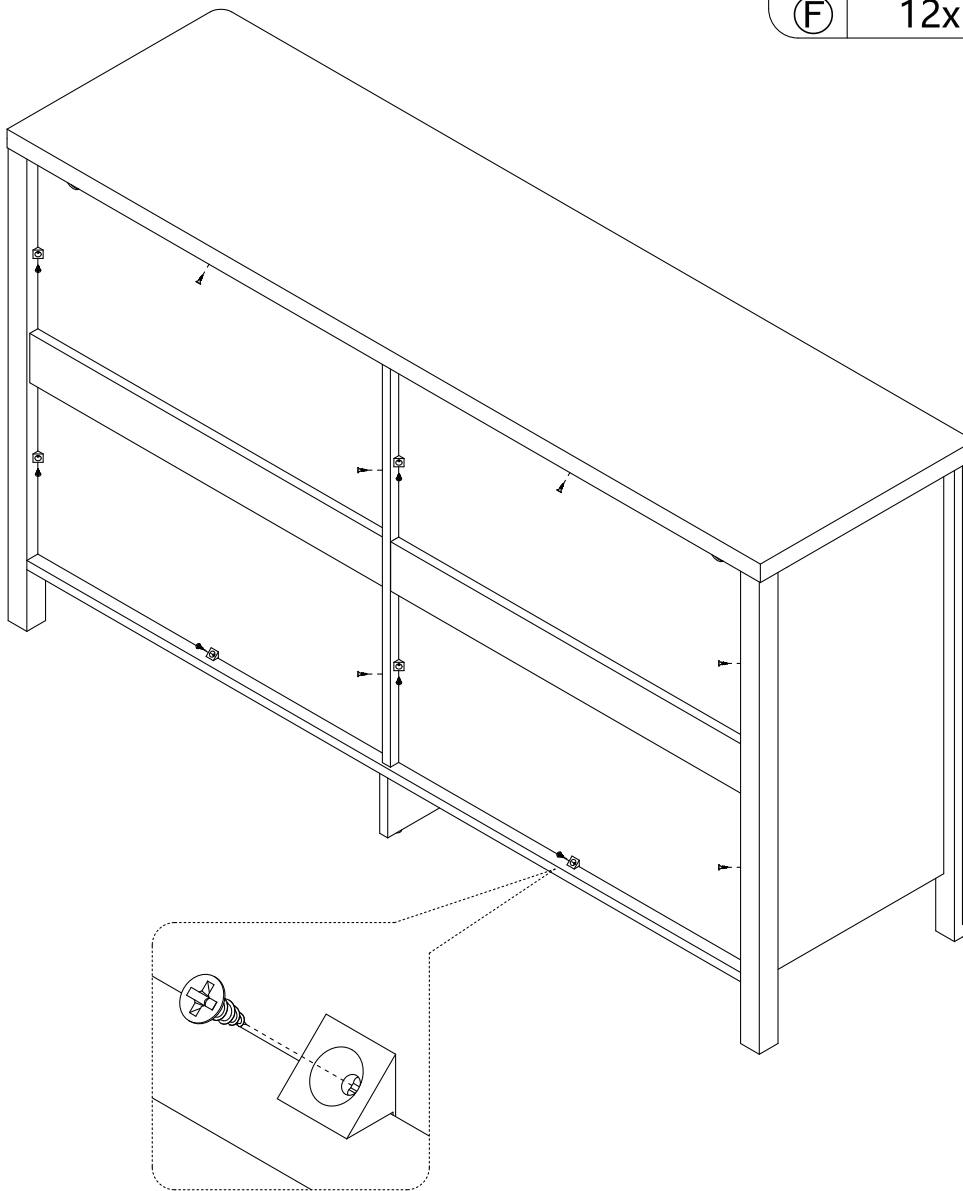
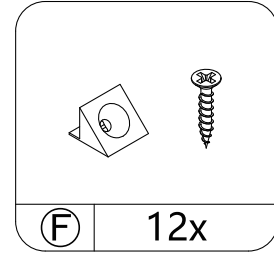


STEP 16



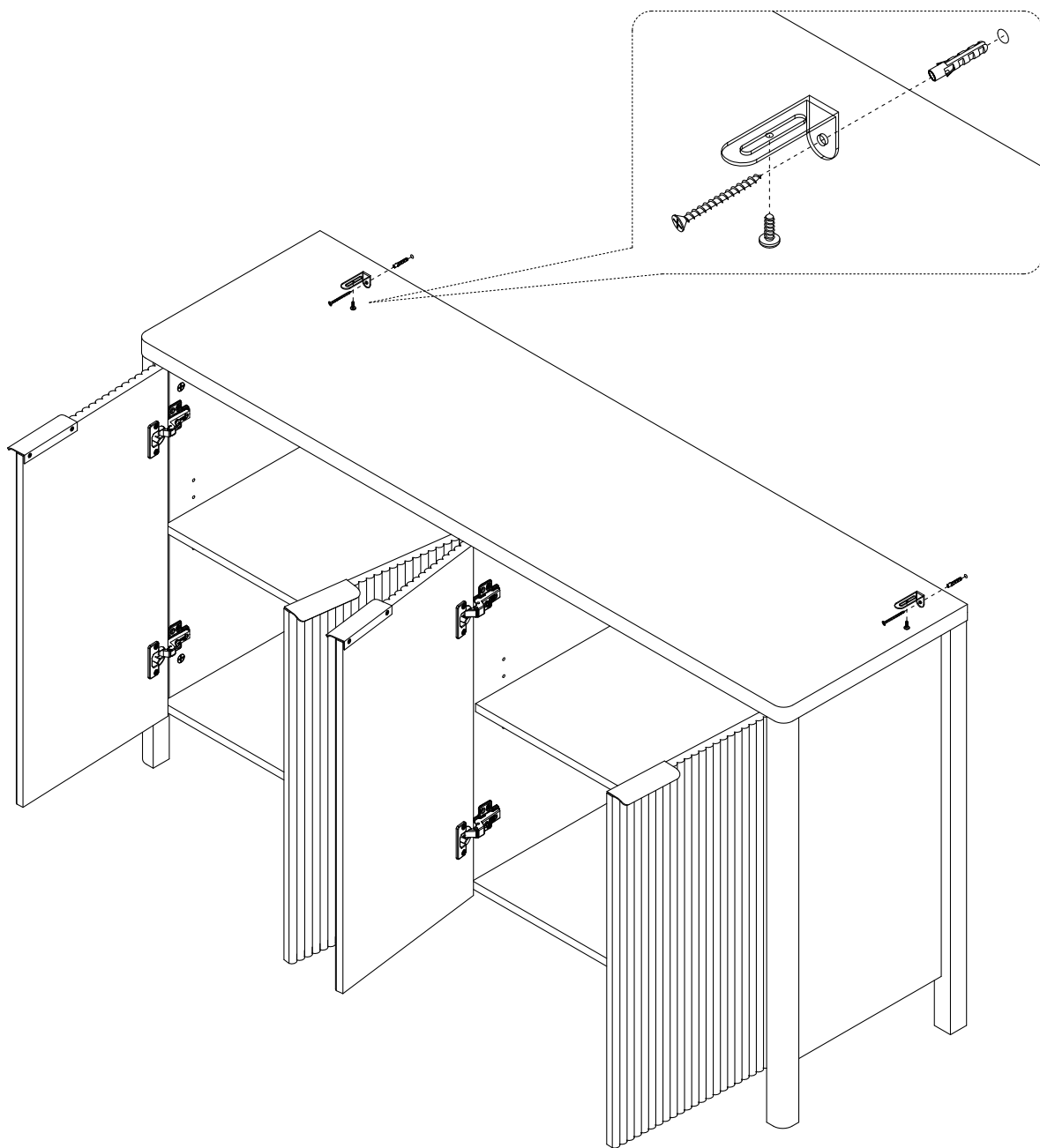
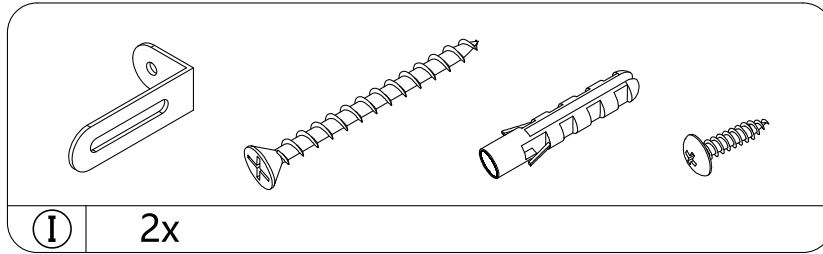
20

STEP 17

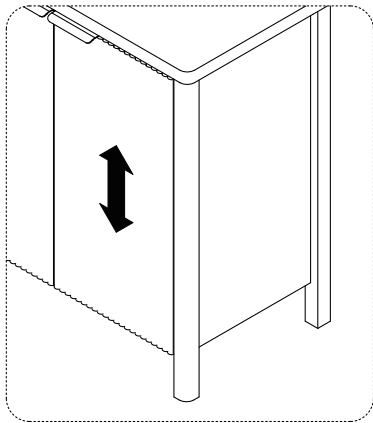
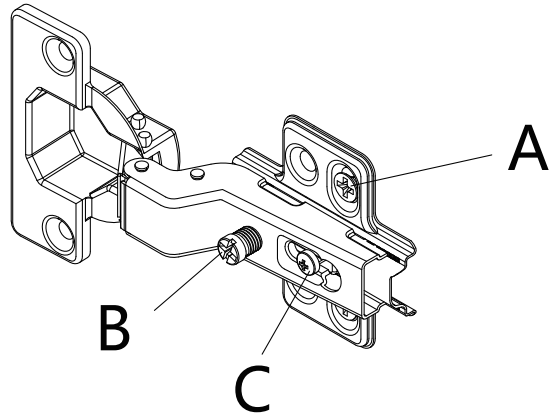


21

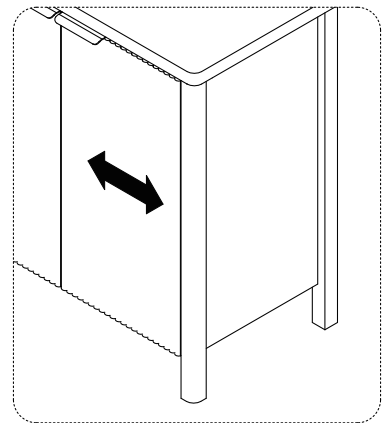
STEP 18



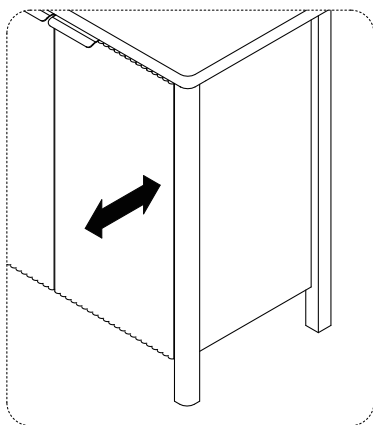
STEP 19



Adjusting A screw



Adjusting B screw



Adjusting C screw

FCC Regulatory Compliance

This device complies with part 15 of the FCC Rules. Operation is subject to the following two conditions:

(1) This device may not cause harmful interference, and (2) this device must accept any interference received, including interference that may cause undesired operation.

Warning: Changes or modifications not expressly approved by the party responsible for compliance could void the user's authority to operate the equipment.

Note: This equipment has been tested and found to comply with the limits for a Class B digital device, pursuant to Part 15 of the FCC Rules.

These limits are designed to provide reasonable protection against harmful interference in a residential installation. This equipment generates, uses and can radiate radio frequency energy and, if not installed and used in accordance with the instructions, may cause harmful interference to radio communications. However, there is no guarantee that interference will not occur in a particular installation.

If this equipment does cause harmful interference to radio or television reception, which can be determined by turning the equipment off and on, the user is encouraged to try to correct the interference by one or more of the following measures:

- Reorient or relocate the receiving antenna.
- Increase the separation between the equipment and receiver.
- Connect the equipment into an outlet on a circuit different from that to which the receiver is connected.
- Consult the dealer or an experienced radio/TV technician for help.