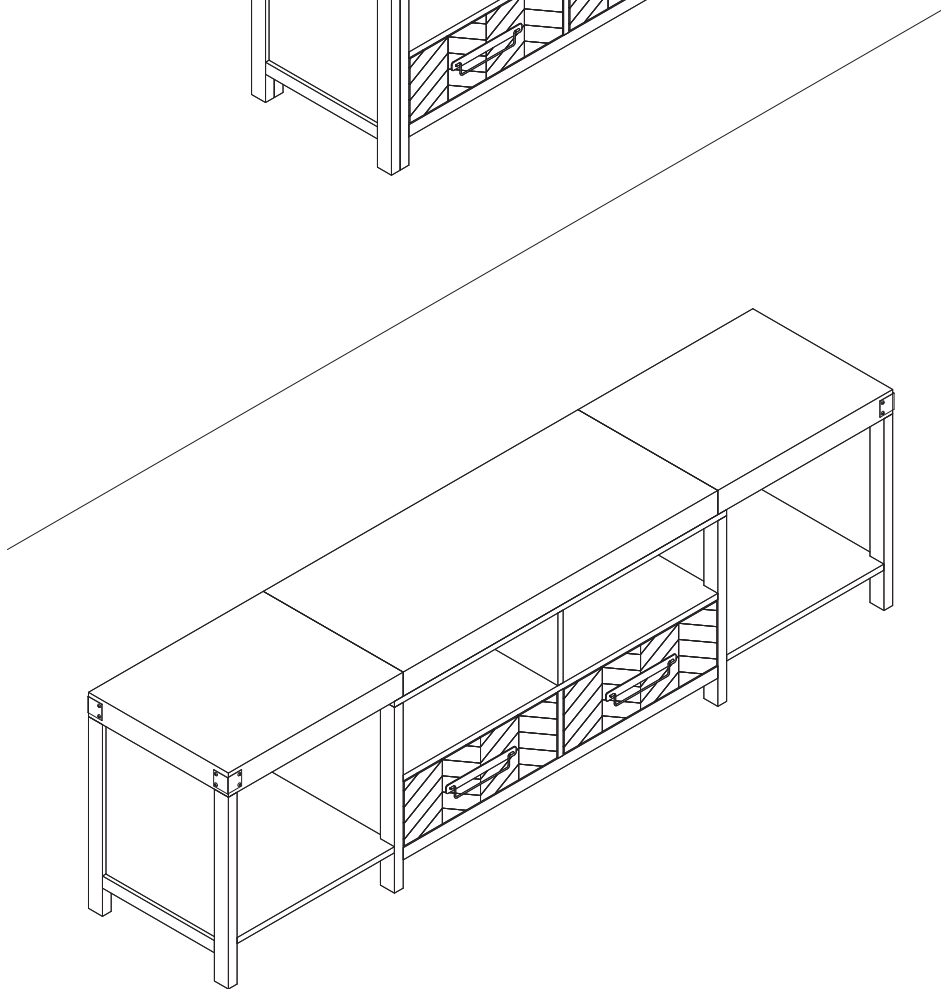
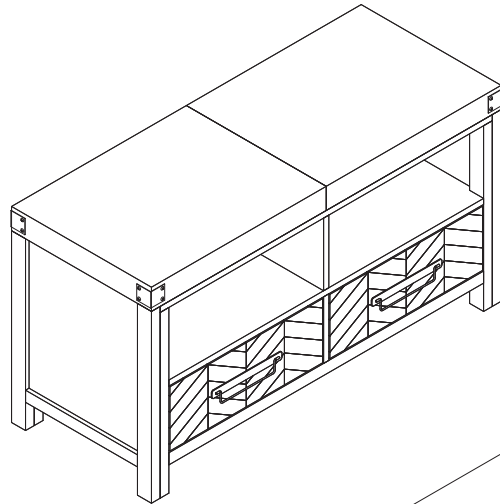
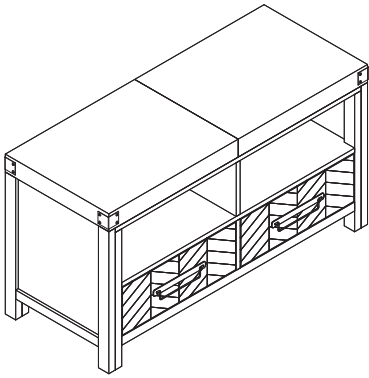
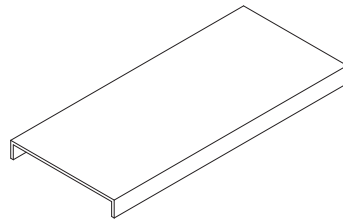


Assembly Instruction

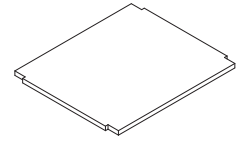




1 x1pc

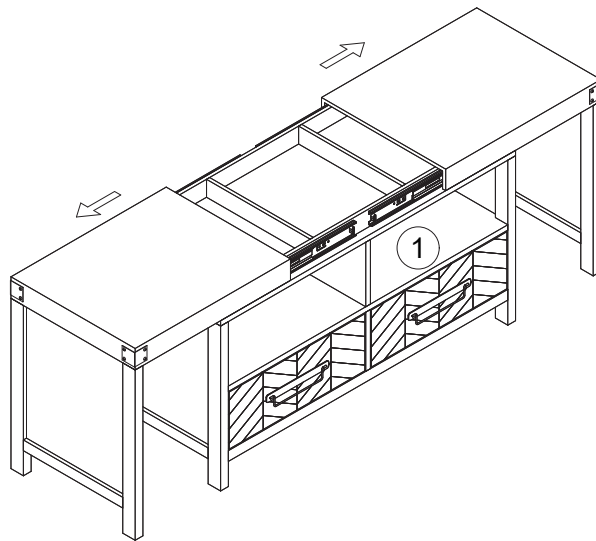


2 x1pc

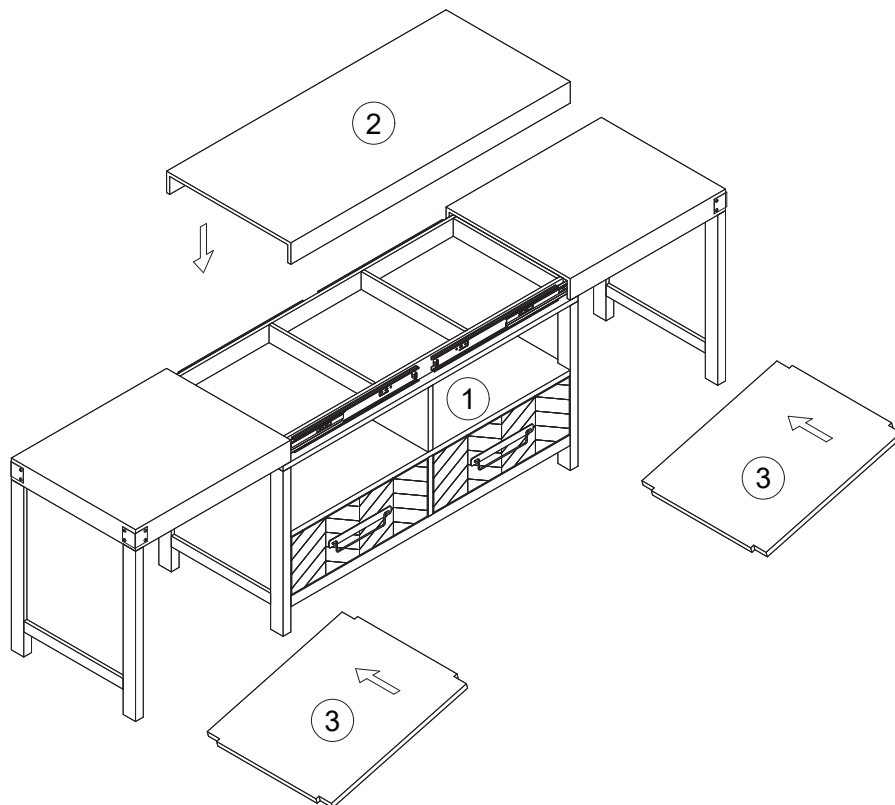


3 x2pcs

1



2



Optional Shelf Anchor

For load heavier than 50 lbs, please install the anchors.

A x8pcs



B x8pcs

