



**47 Inch Round Dining Table
User Manual**

INTRODUCTION

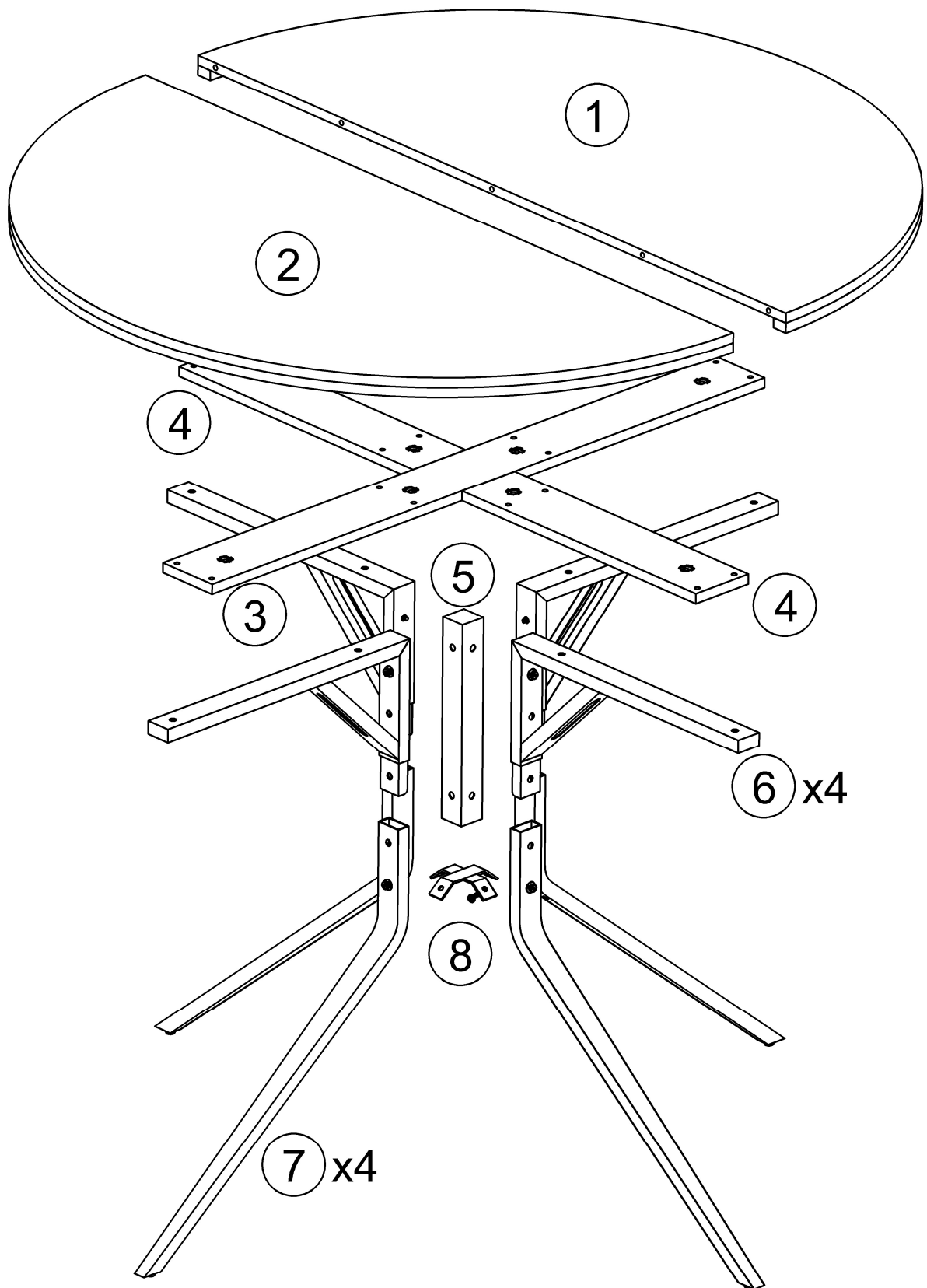
Thank you for purchasing our products. Committed to providing customers with the best quality products and service has always been our lifelong goal. Before using the product, please read this instruction manual carefully to ensure correct use. Keep the instruction manual in a place where the user can find it at any time.

PRECAUTIONS

1. There are many components and accessories in the package. Each component and accessory is labeled with a letter or a number, check carefully before using any of them. Keep them away from children to prevent accidents.
Please install the product on a clean and soft underlay (such as carpet or cardboard) to avoid scratching or damaging the surface of the product.
2. The main components of the product is relatively heavy. Please pay attention to safety during installation.
3. The product is not stable during installation. Please do not move it randomly before it is completely installed.
4. If you have any questions during installation, please contact the customer service in time.

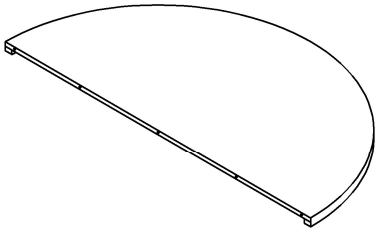
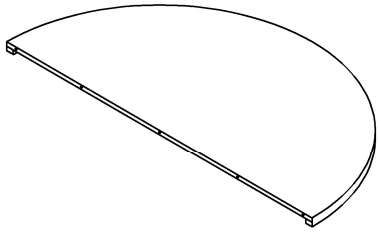
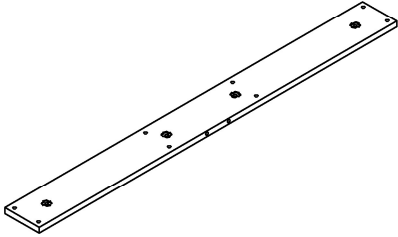
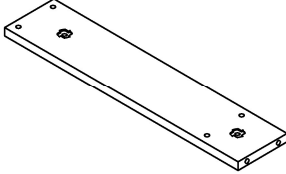

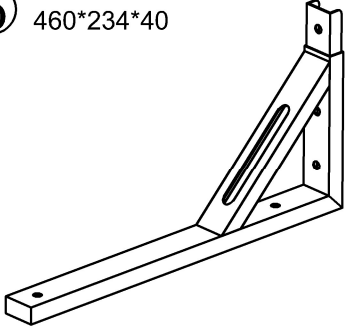
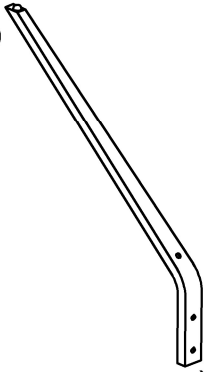
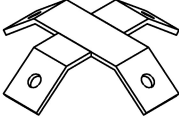
*PLEASE BE SURE TO FOLLOW THE INSTALLATION STEPS IN THE MANUAL TO AVOID UNNECESSARY LOSSES CAUSED BY IMPROPER INSTALLATION.

*IF YOU NEED FURTHER ASSISTANCE, PLEASE CONTACT THE CUSTOMER SERVICE ONLINE.

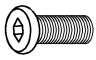
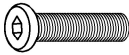
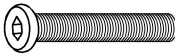
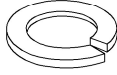
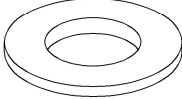
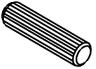



Unit(mm)

PART LIST

<p>① 1195*597.5*30</p>  <p>x 1</p>	<p>② 1195*597.5*30</p>  <p>x 1</p>	<p>③ 1050*100*15</p>  <p>x 1</p>
<p>④ 475*100*15</p>  <p>x 2</p>	<p>⑤ 306*40*40</p>  <p>x 1</p>	<p>⑥ 460*234*40</p>  <p>x 4</p>
<p>⑦ 550*489*40</p>  <p>x 4</p>	<p>⑧ 146.3*146.3*21.4</p>  <p>x 1</p>	

HARDWARE LIST

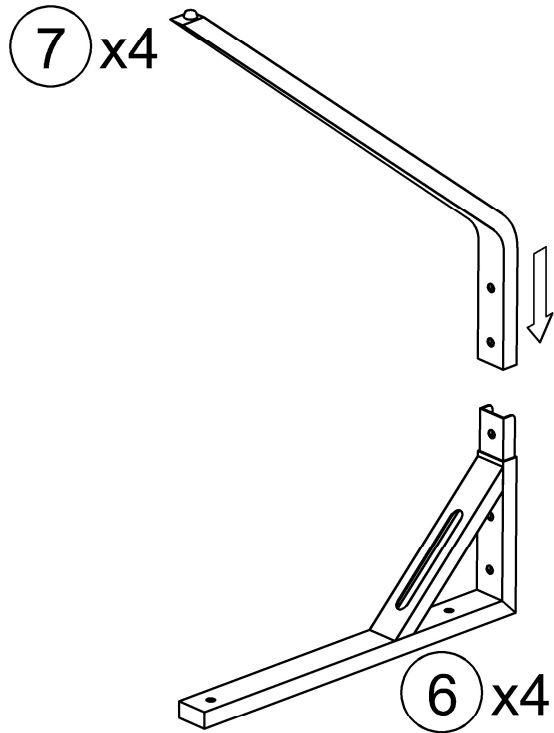
<p>A Short Bolts M6x16mm</p>  <p>x4</p>	<p>B Bolts M6x28mm</p>  <p>x16</p>	<p>C Bolts M6x35mm</p>  <p>x24</p>	<p>D Lock Washers</p>  <p>x44</p>	<p>E Flat Washers</p>  <p>x44</p>
<p>F WOOD PLUG Ø8 x 30mm</p>  <p>x9</p>	<p>G Allen Wrench</p>  <p>x1</p>			

INSTALLATION STEPS

1

YOU WILL NEED

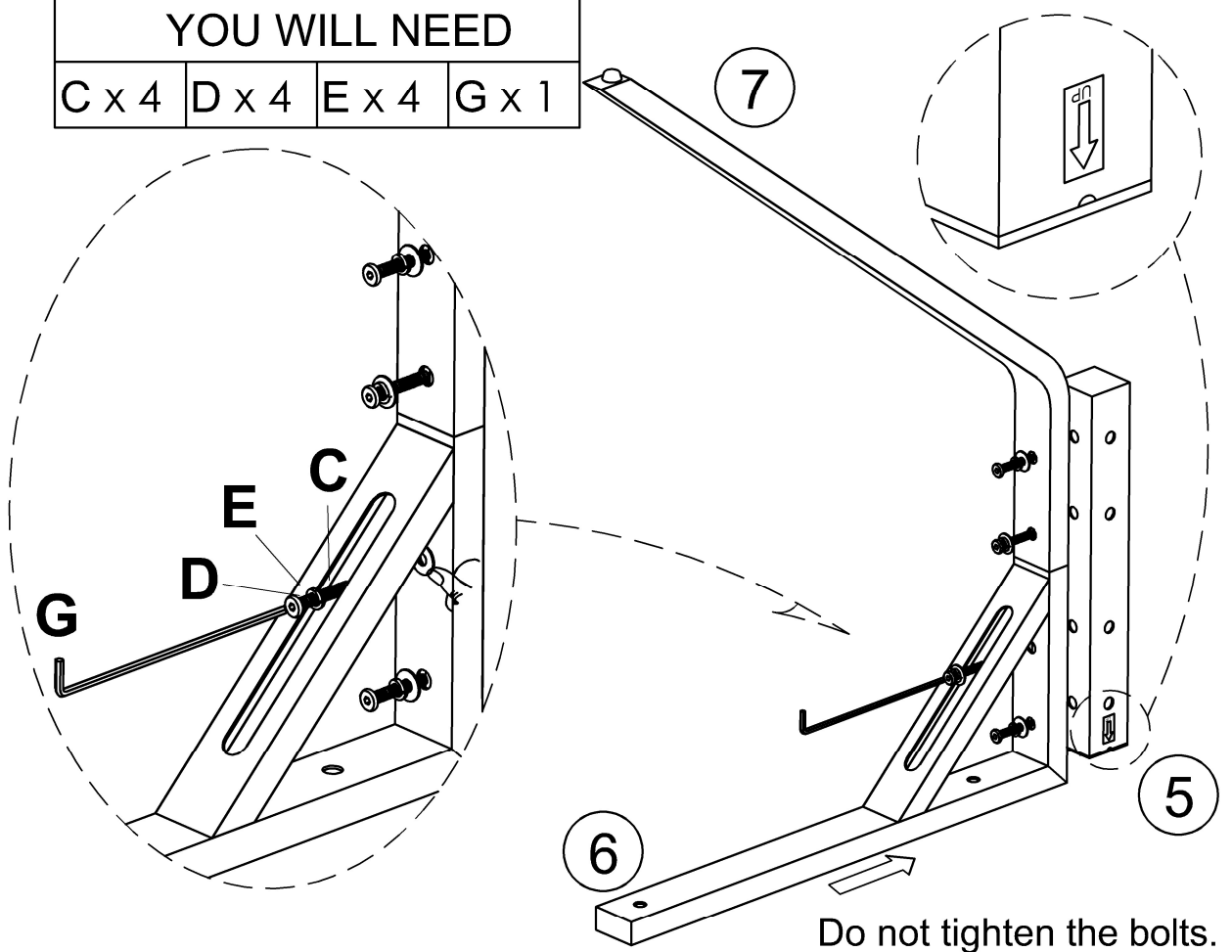
--	--	--	--



2

YOU WILL NEED

C x 4	D x 4	E x 4	G x 1
-------	-------	-------	-------



Do not tighten the bolts.

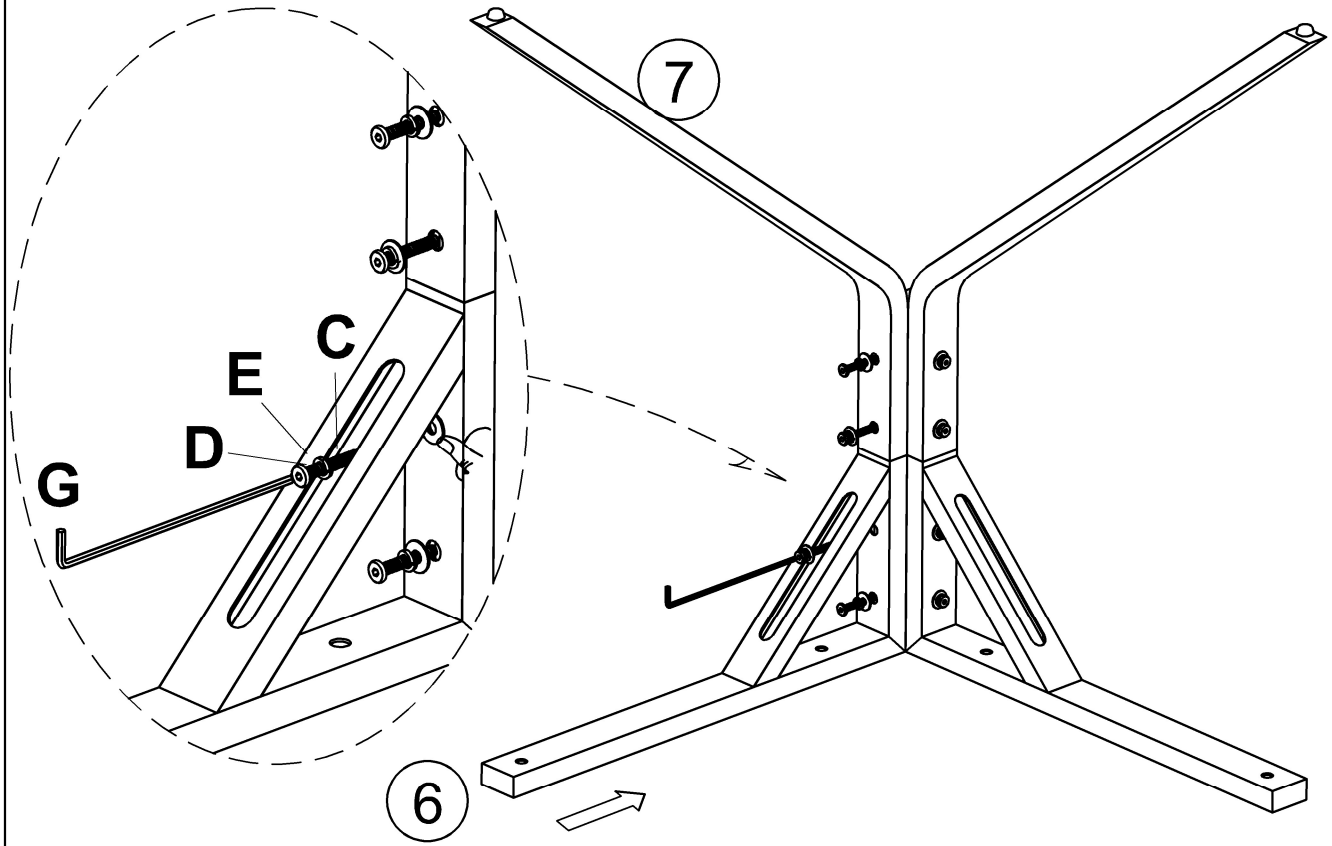
INSTALLATION STEPS

3

YOU WILL NEED

C x 4	D x 4	E x 4	G x 1
-------	-------	-------	-------

Do not tighten the bolts.

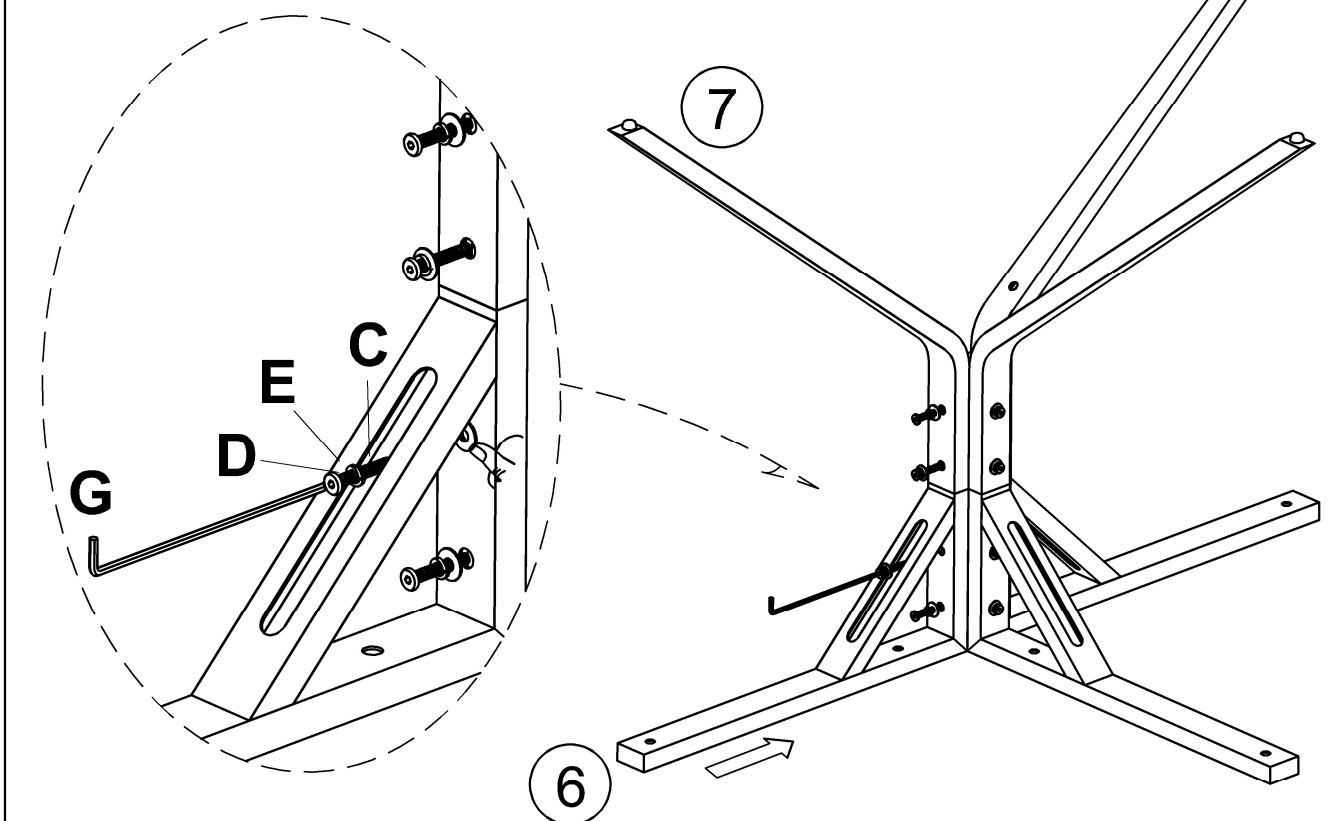


4

YOU WILL NEED

C x 4	D x 4	E x 4	G x 1
-------	-------	-------	-------

Do not tighten the bolts.



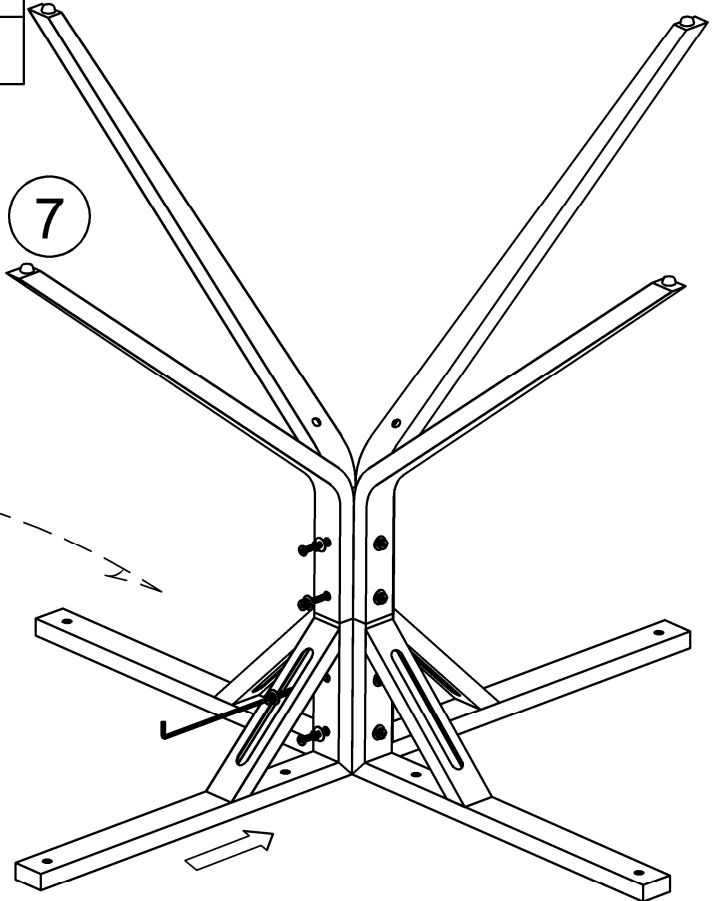
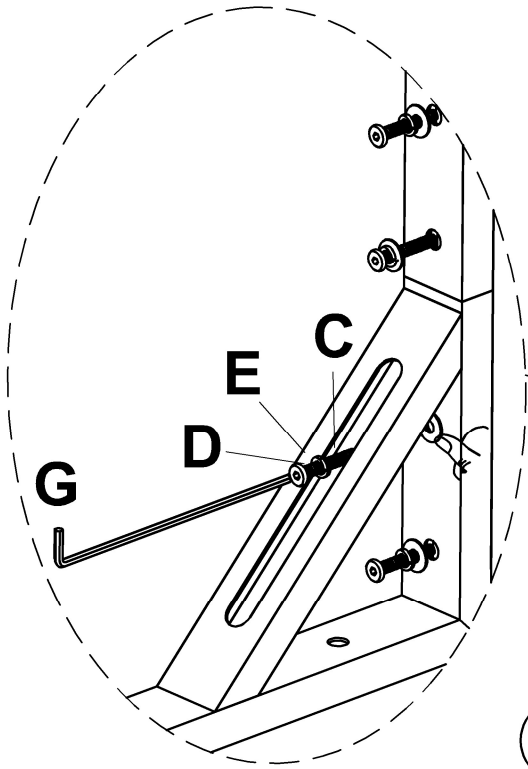
INSTALLATION STEPS

5

YOU WILL NEED

C x 4	D x 4	E x 4	G x 1
-------	-------	-------	-------

Do not tighten the bolts.

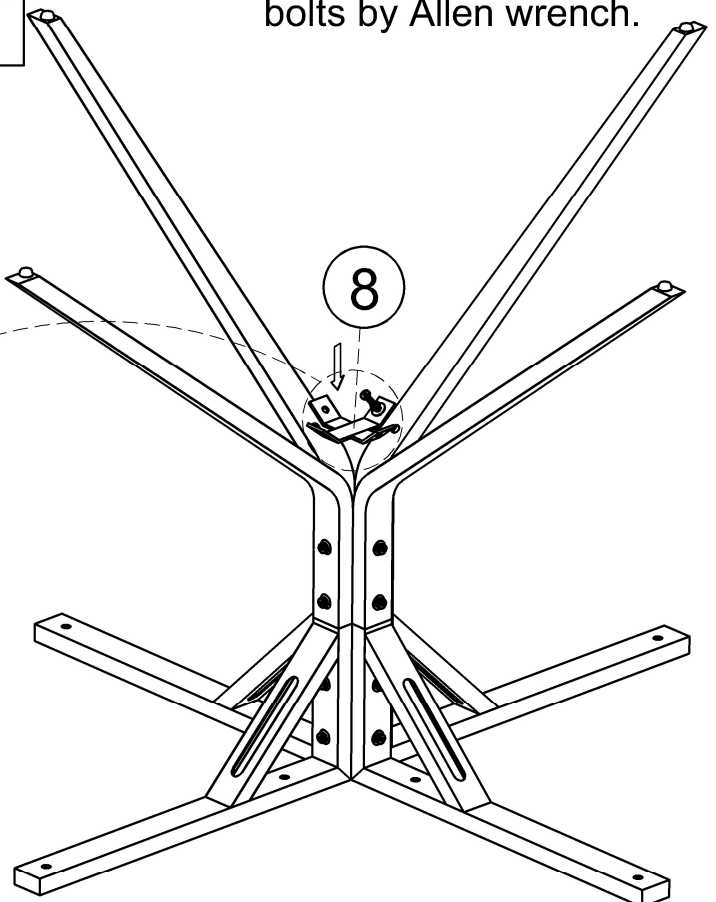
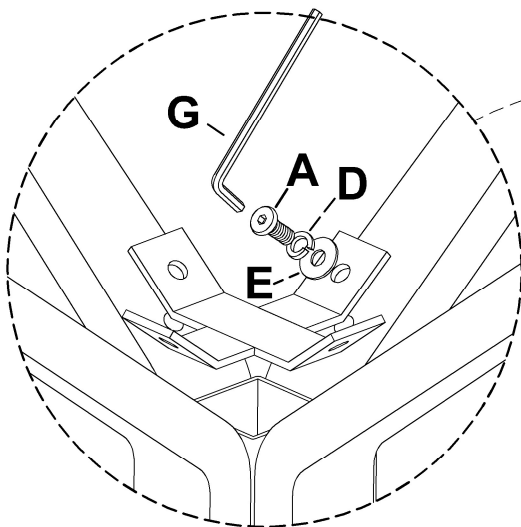


6

YOU WILL NEED

A x 4	D x 4	E x 4	G x 1
-------	-------	-------	-------

Fully tighten all the bolts by Allen wrench.

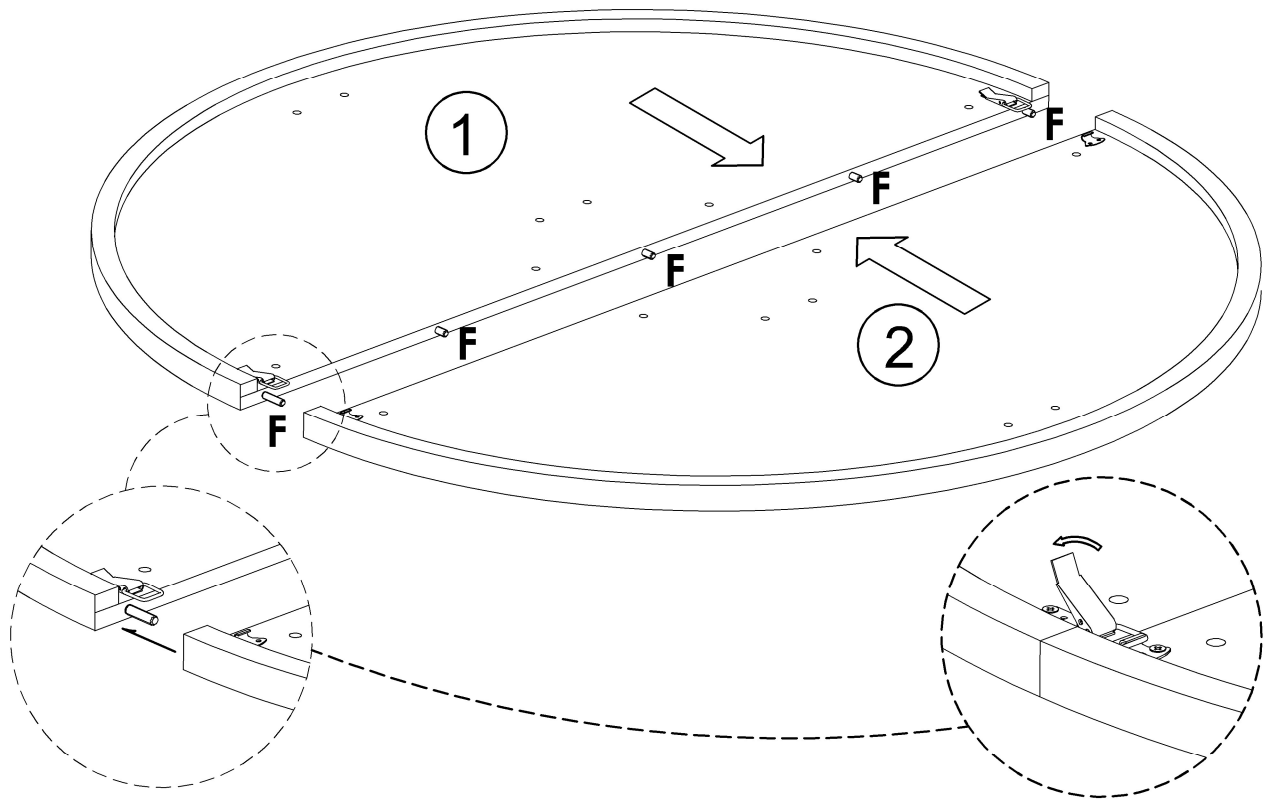


INSTALLATION STEPS

7

YOU WILL NEED

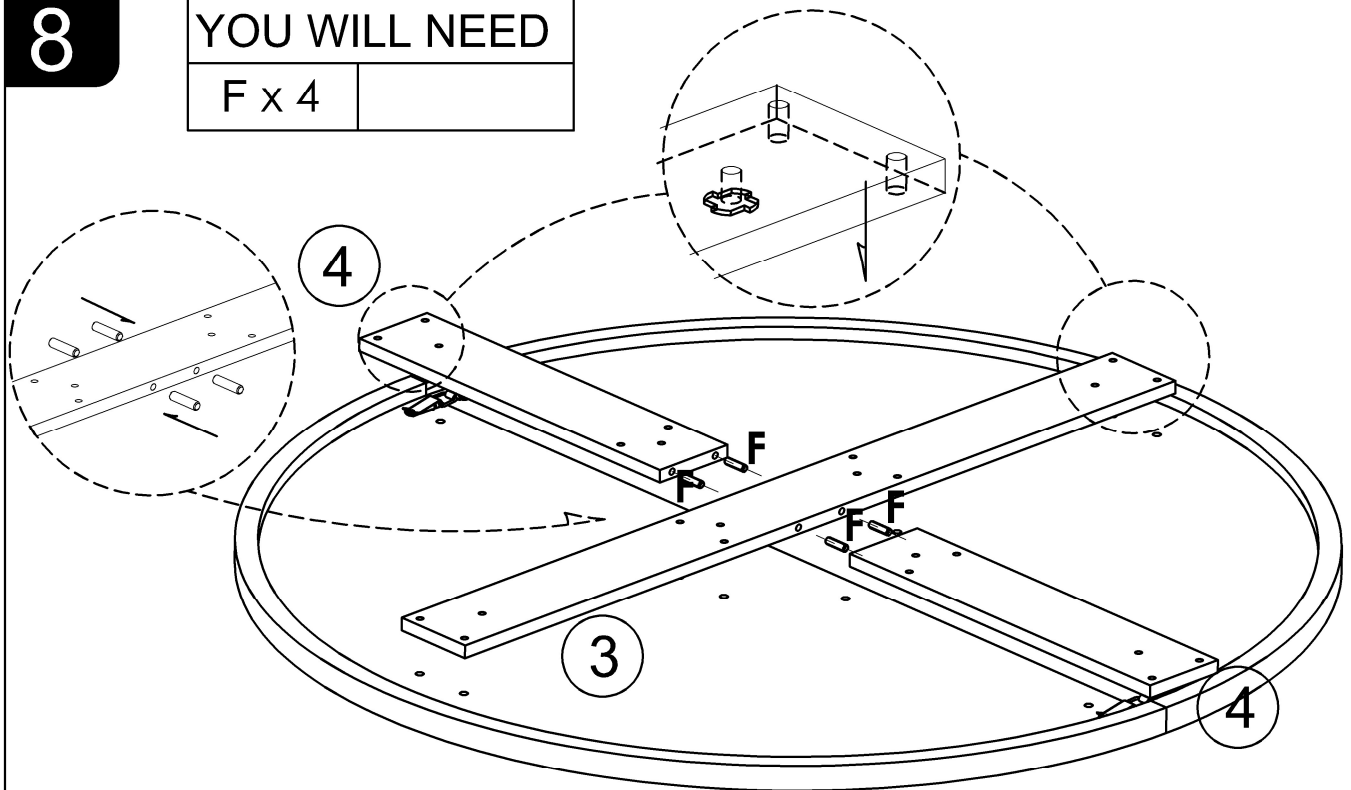
F x 5



8

YOU WILL NEED

F x 4

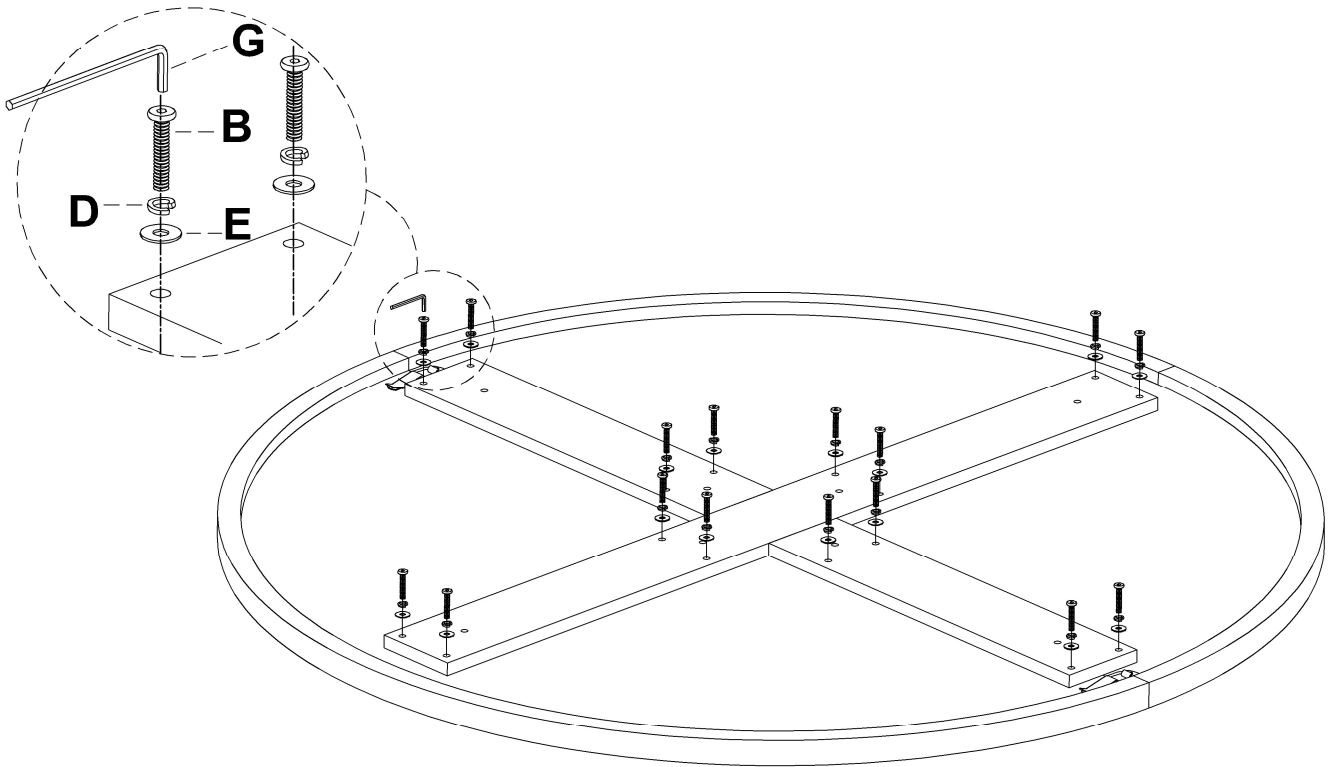


INSTALLATION STEPS

9

YOU WILL NEED

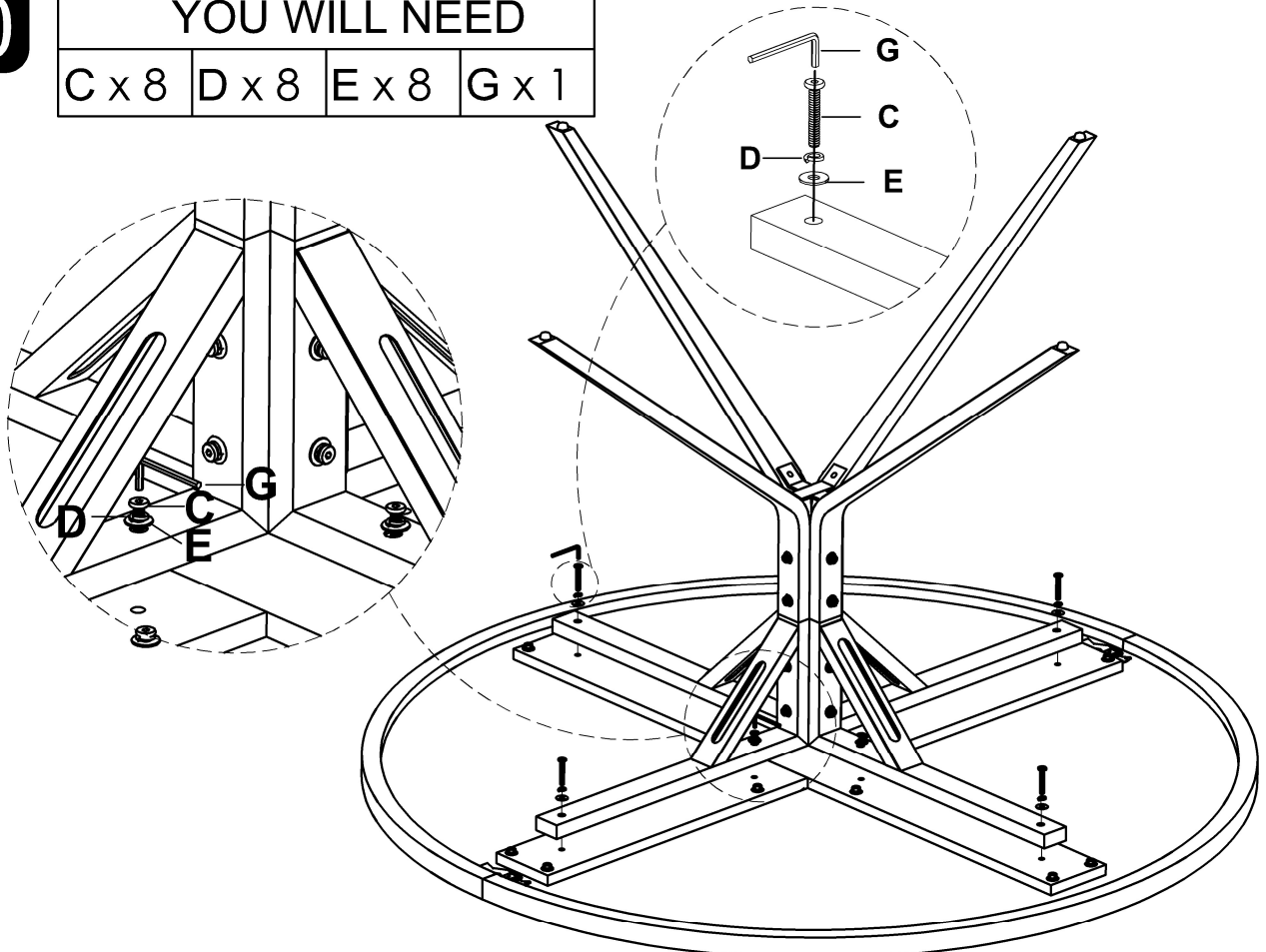
B x 16	D x 16	E x 16	G x 1
--------	--------	--------	-------



10

YOU WILL NEED

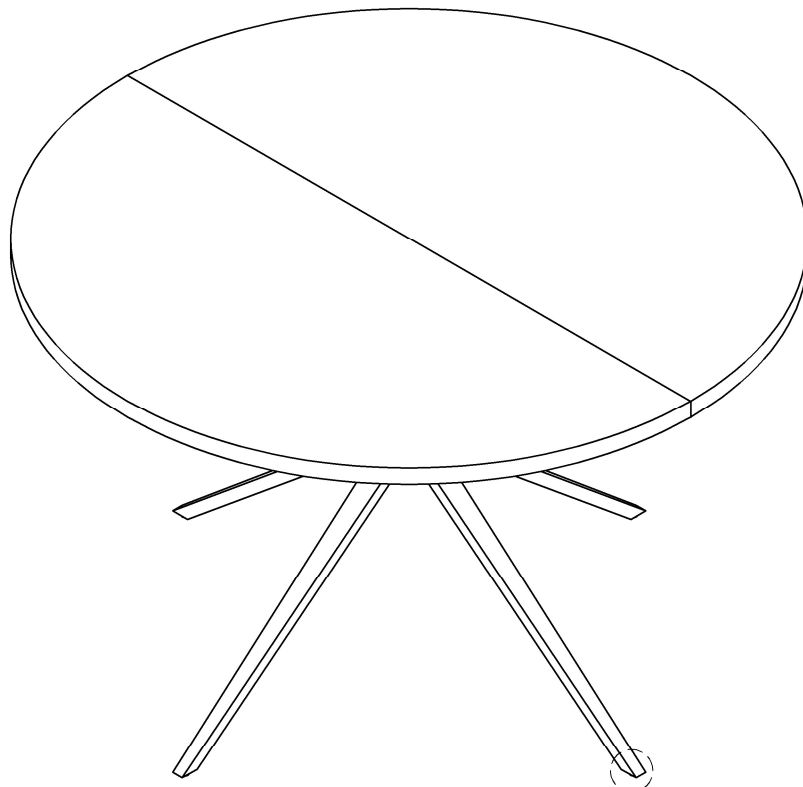
C x 8	D x 8	E x 8	G x 1
-------	-------	-------	-------



INSTALLATION STEPS

11

YOU WILL NEED			



Note: the legs can be adjusted with adjustable leveler.

