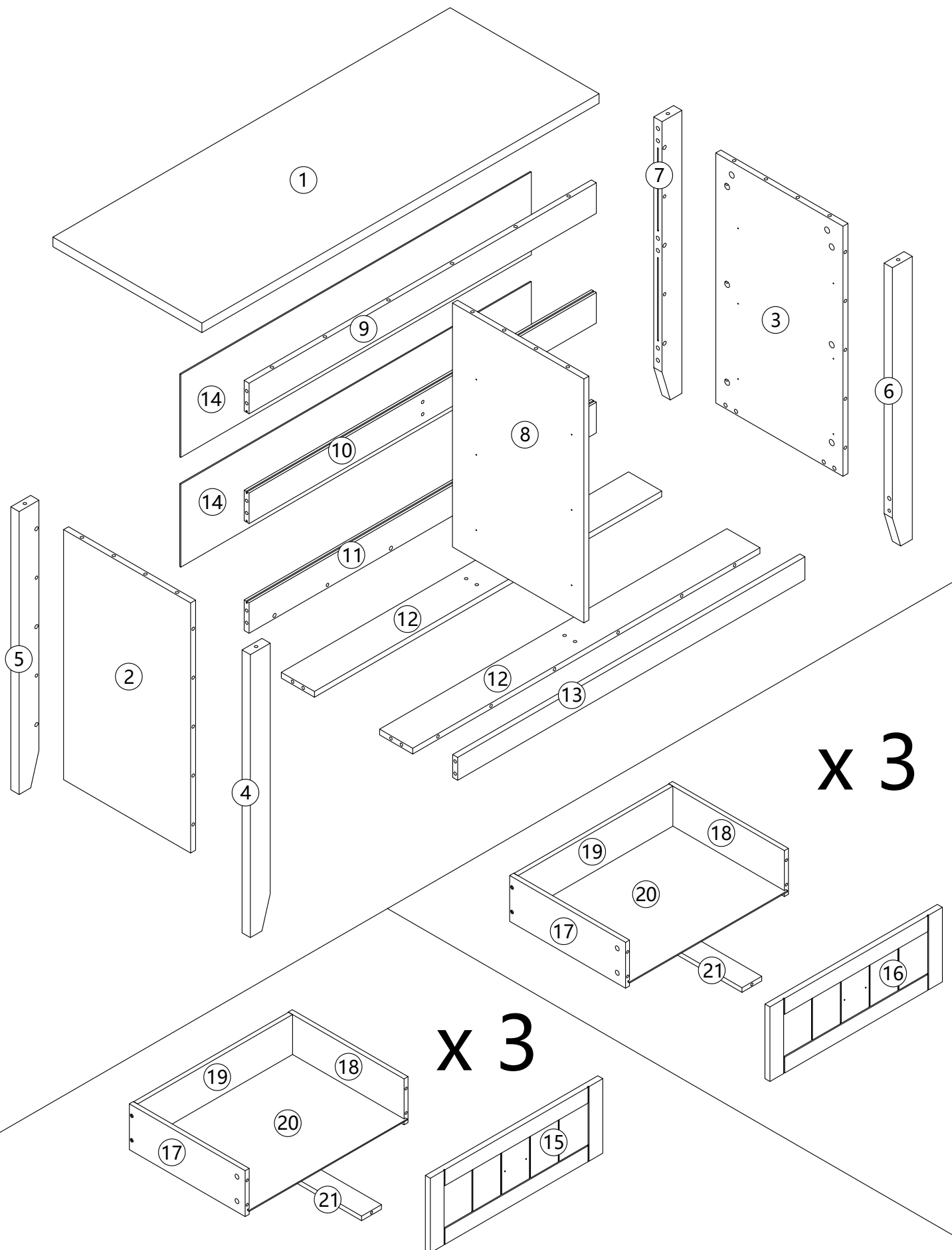
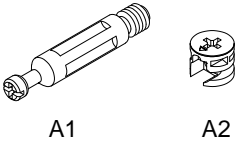


# Parts List

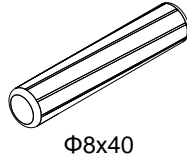


# Hardware

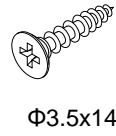
A x 52sets



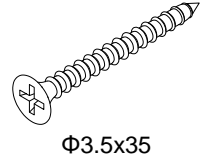
B x 26pcs



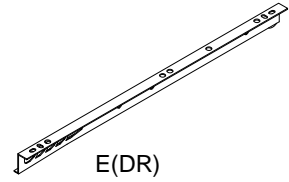
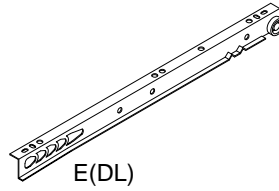
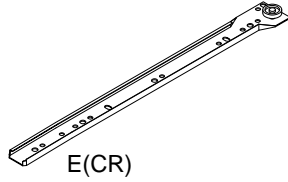
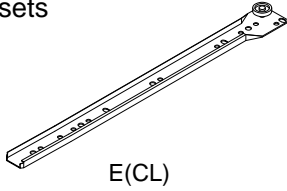
C x 60pcs



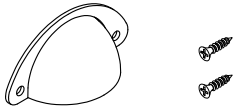
D x 30pcs



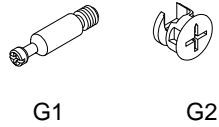
E x 6sets



F x 6pcs



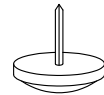
G x 30sets



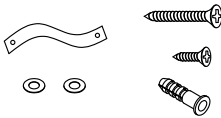
H x 12pcs



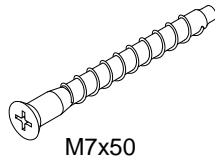
J x 5pcs



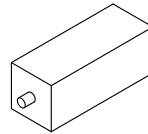
K x 2sets



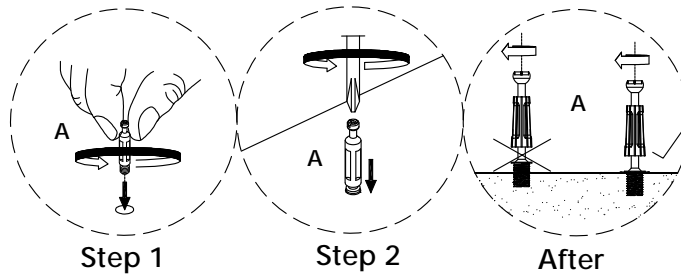
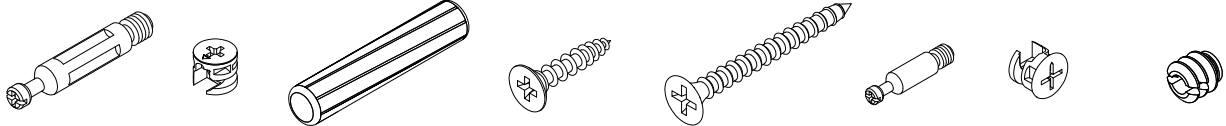
L x 6pcs



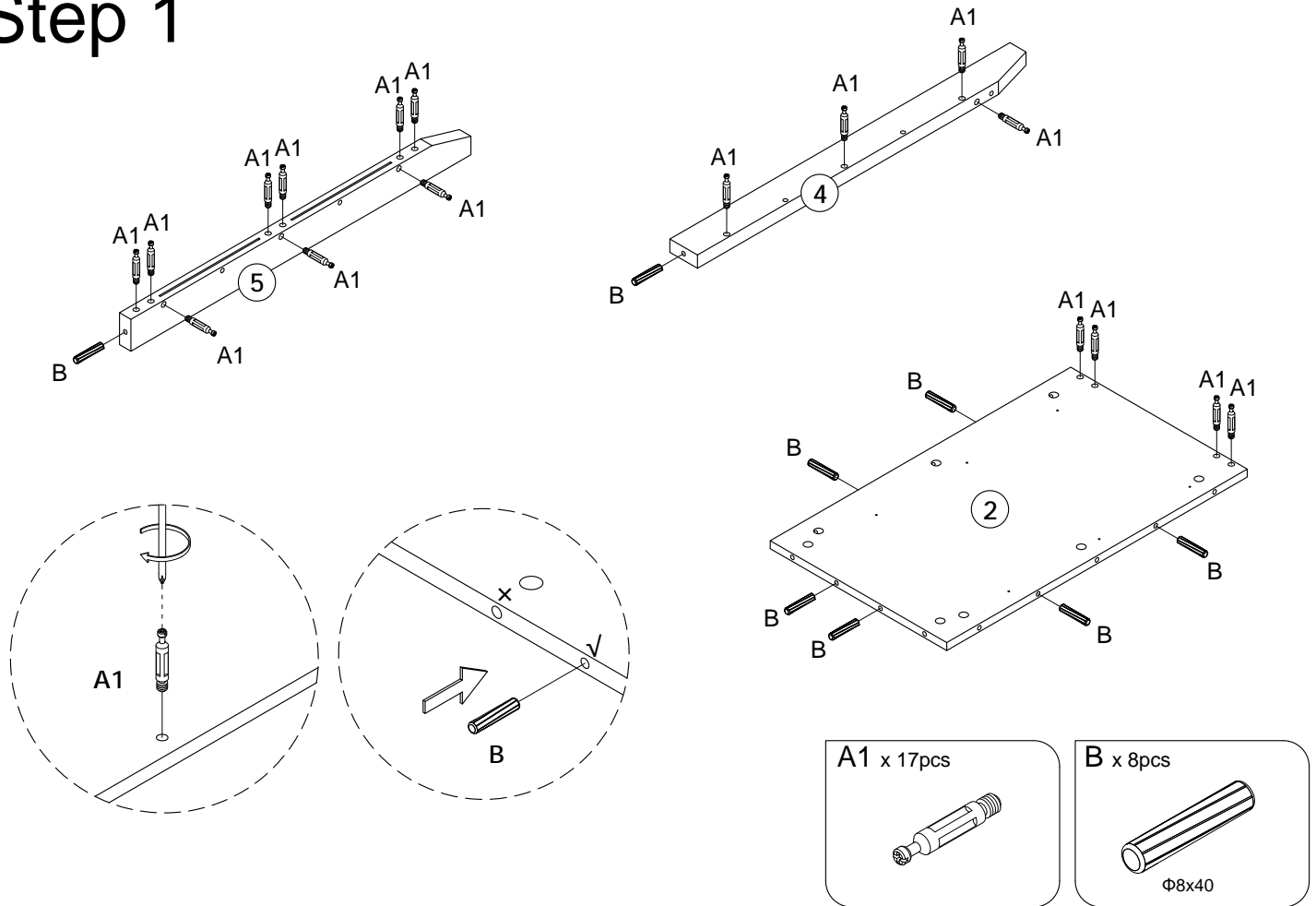
M x 1pc



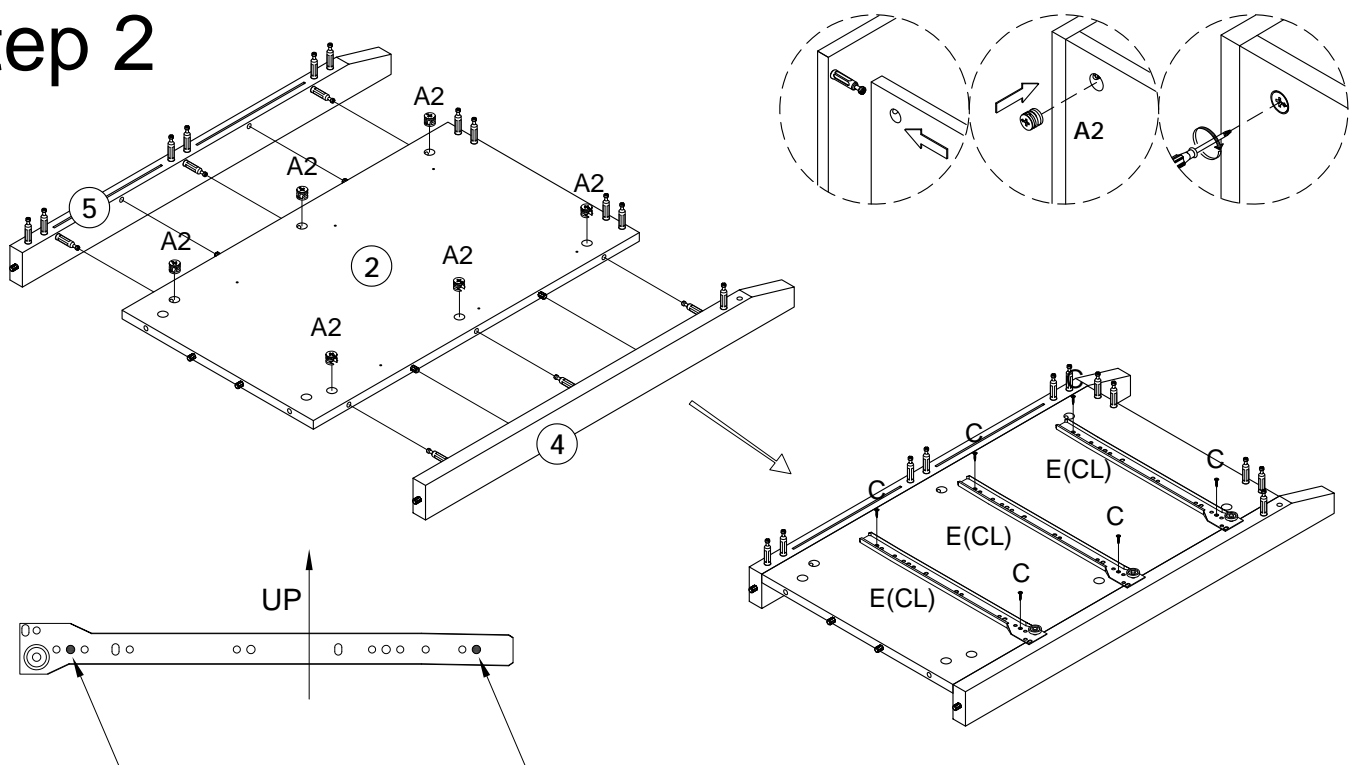
R



# Step 1

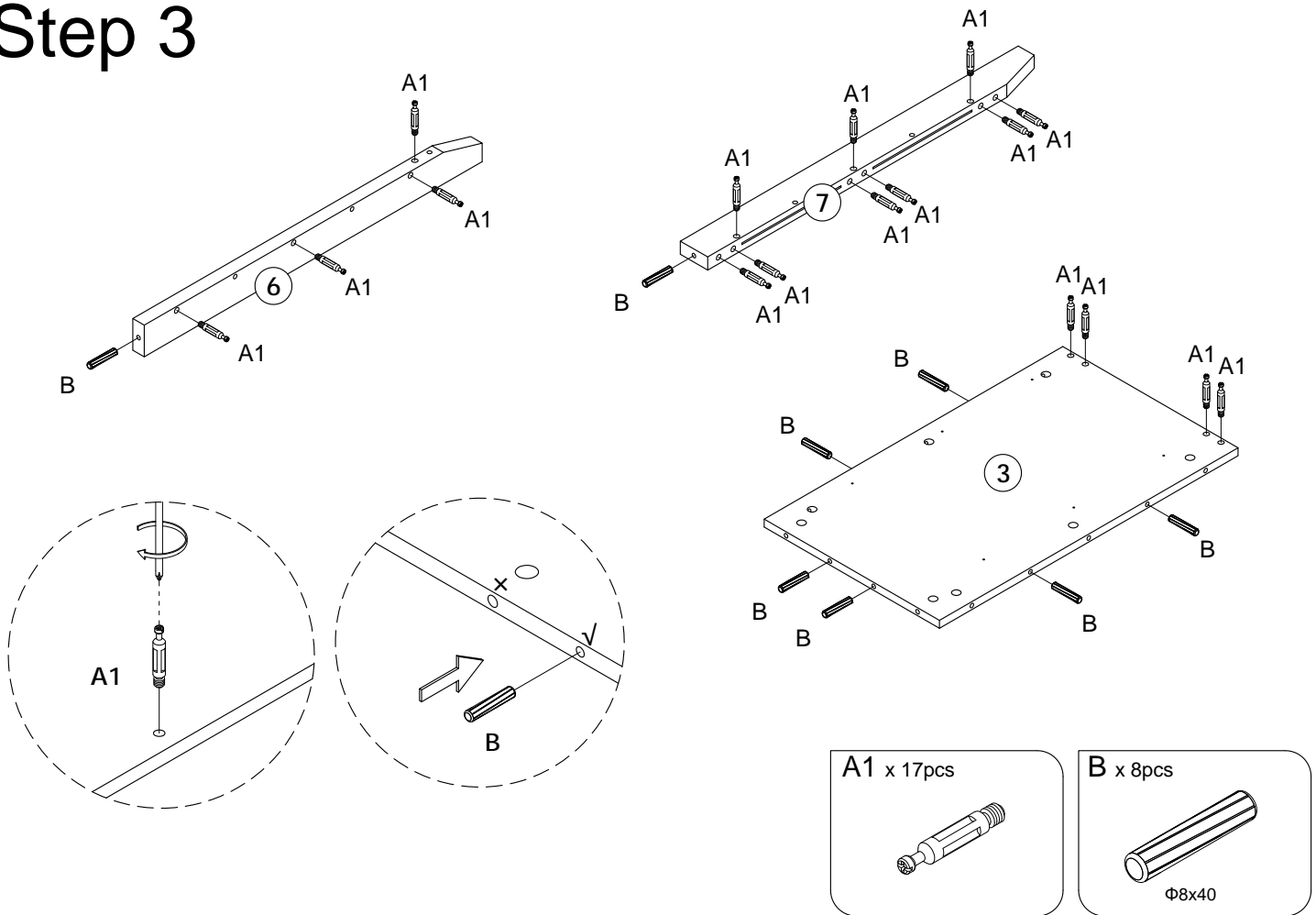


# Step 2

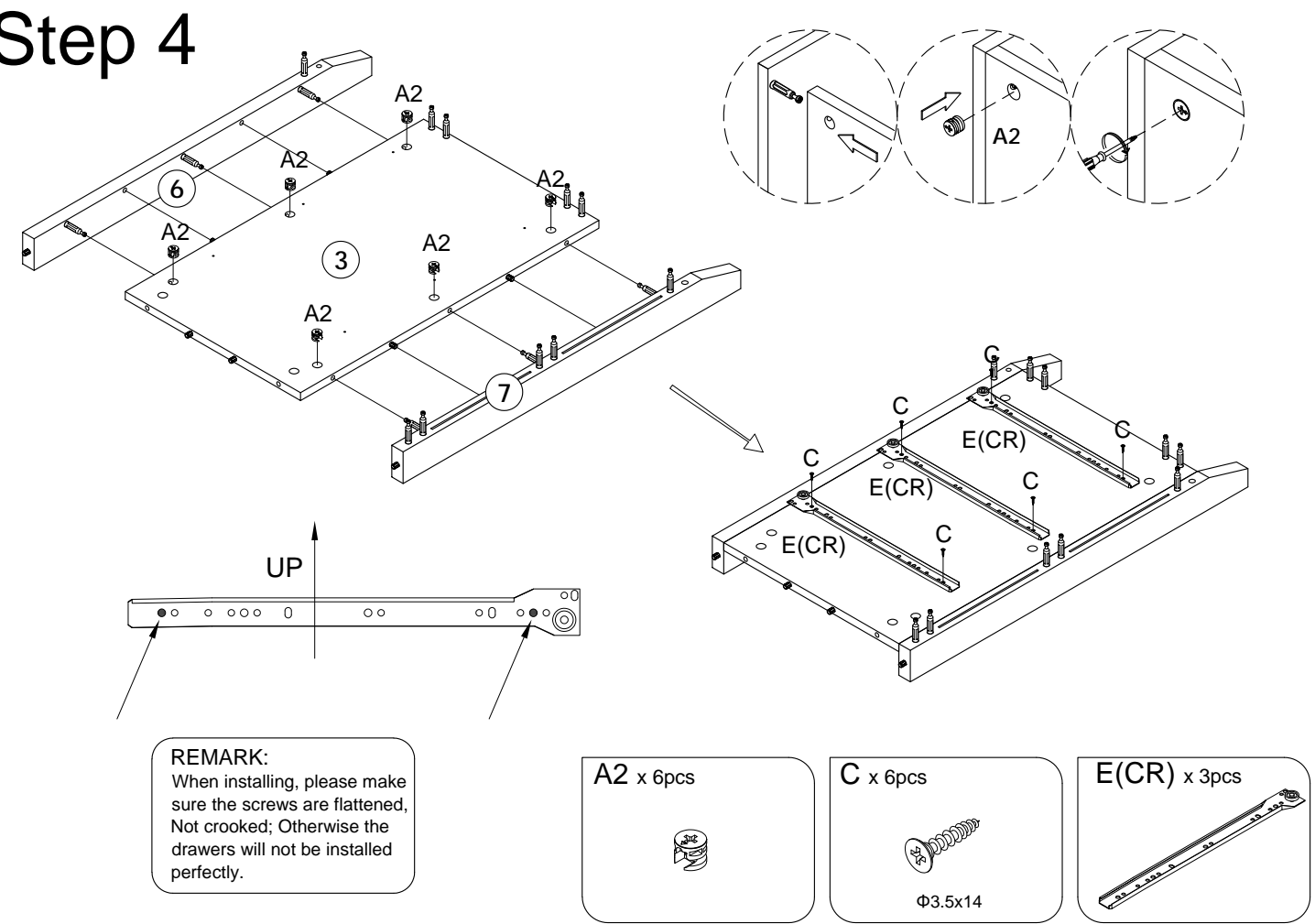


**REMARK:**  
When installing, please make sure the screws are flattened, Not crooked; Otherwise the drawers will not be installed perfectly.

# Step 3



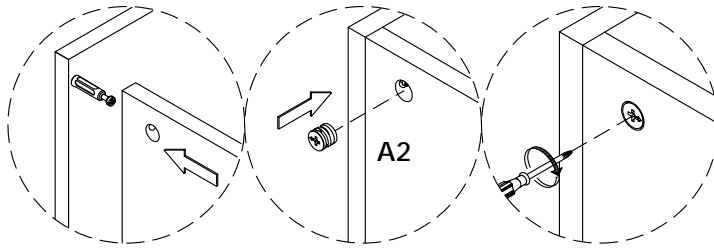
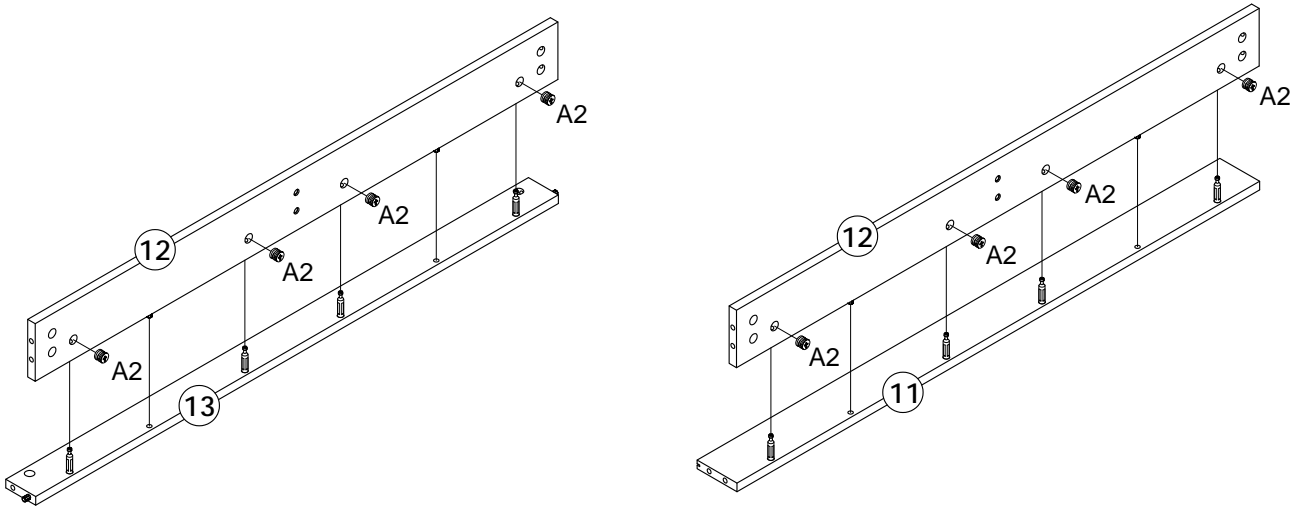
# Step 4



**REMARK:**  
When installing, please make sure the screws are flattened, Not crooked; Otherwise the drawers will not be installed perfectly.



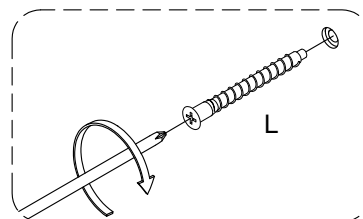
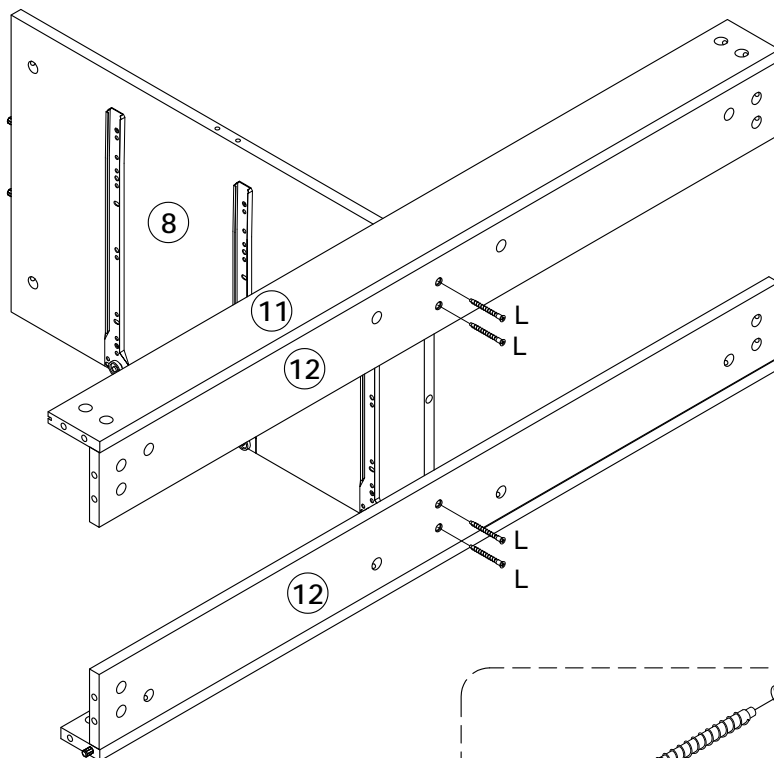
# Step 7



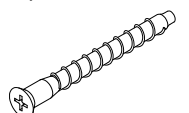
A2 x 8pcs



# Step 8

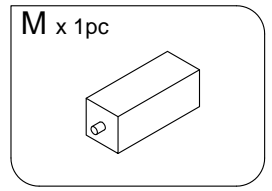
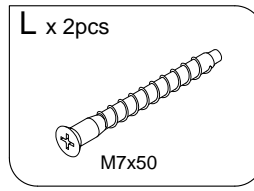
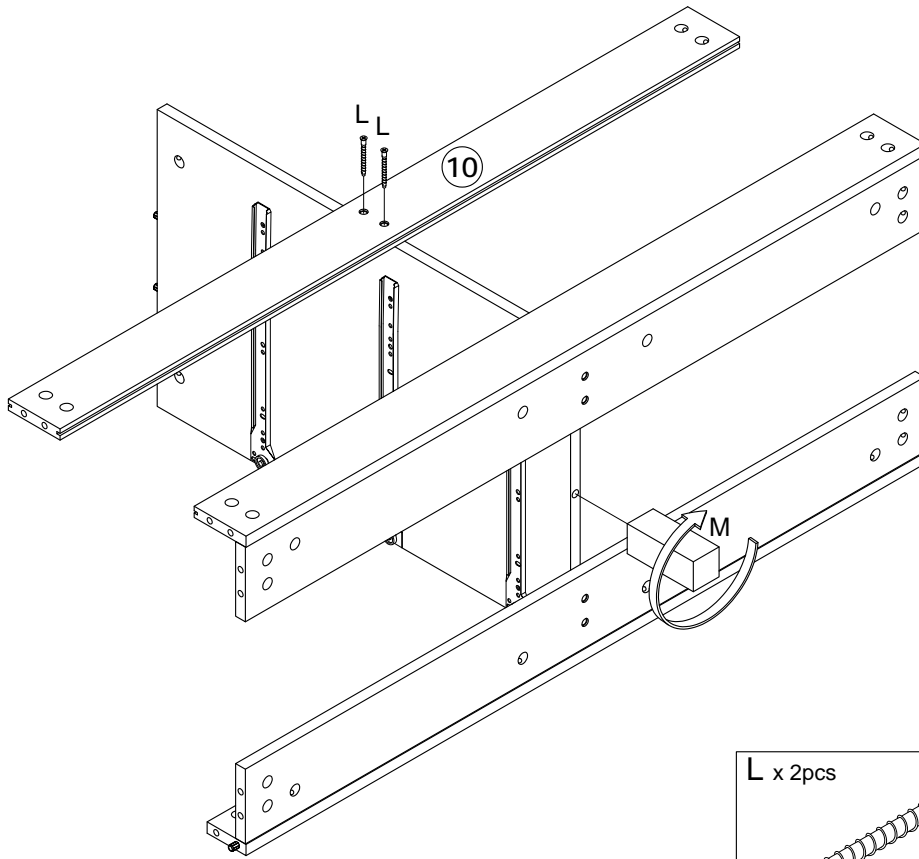


L x 4pcs

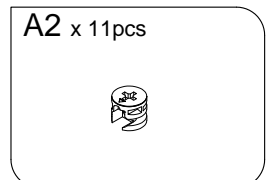
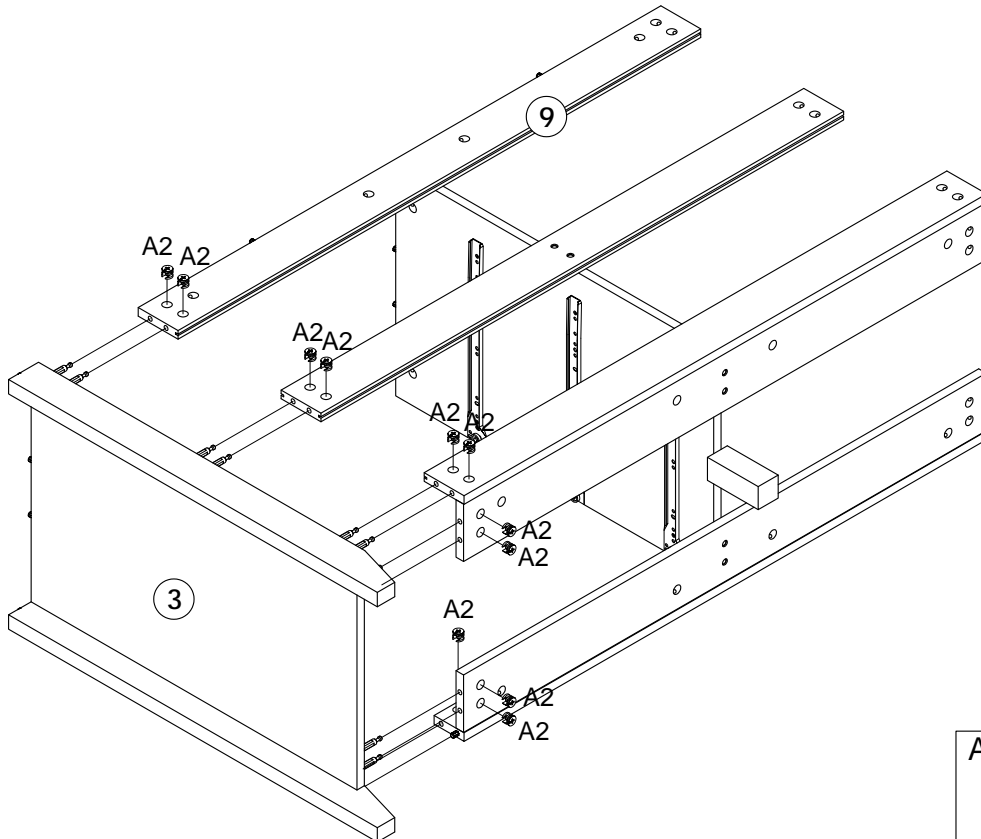


M7x50

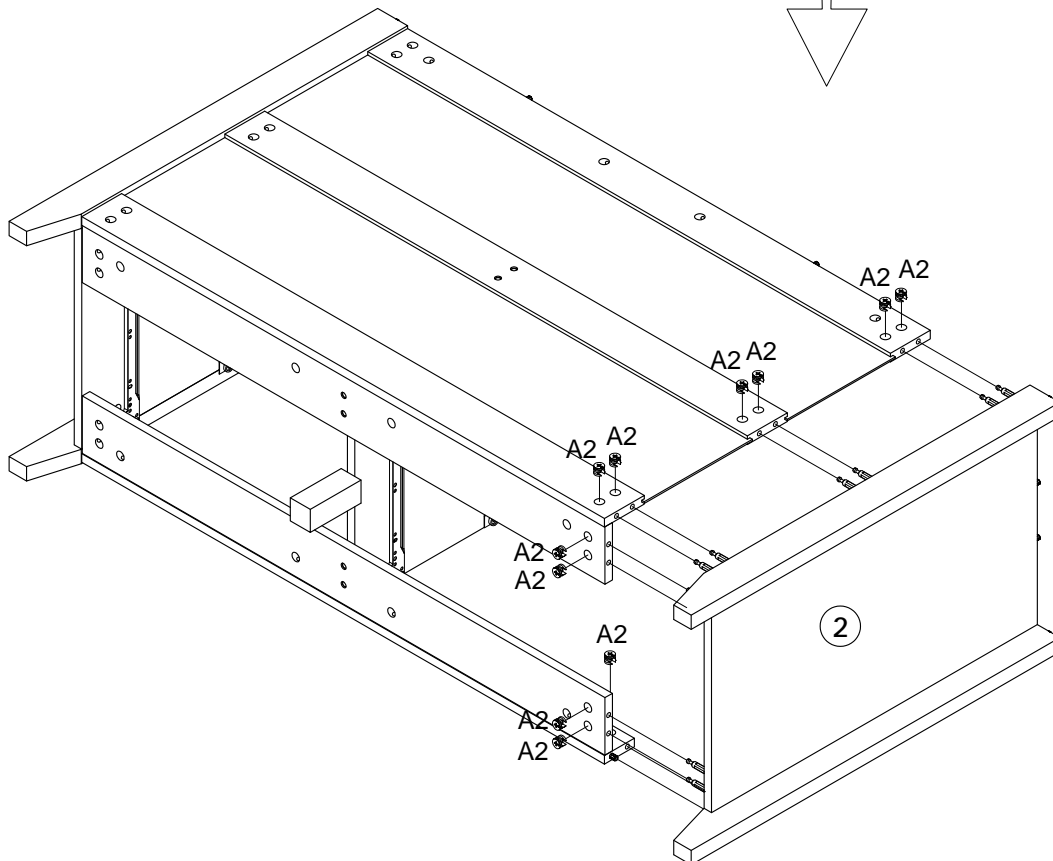
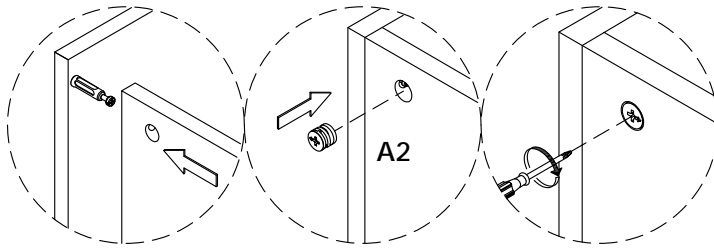
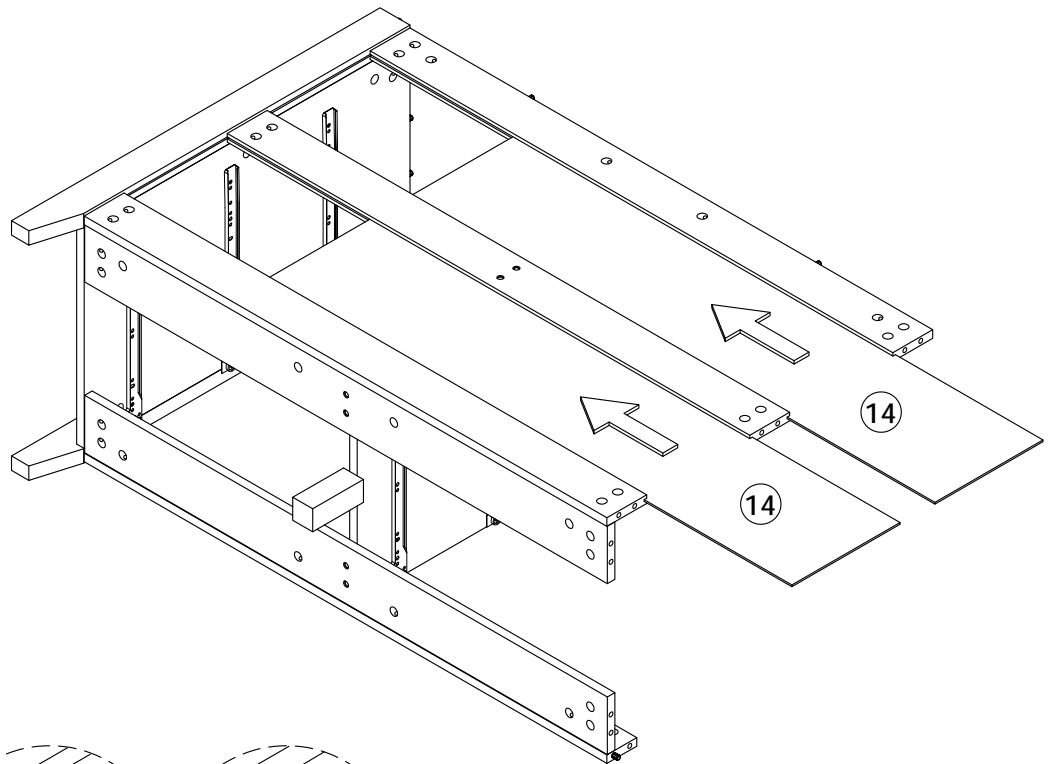
# Step 9



# Step 10



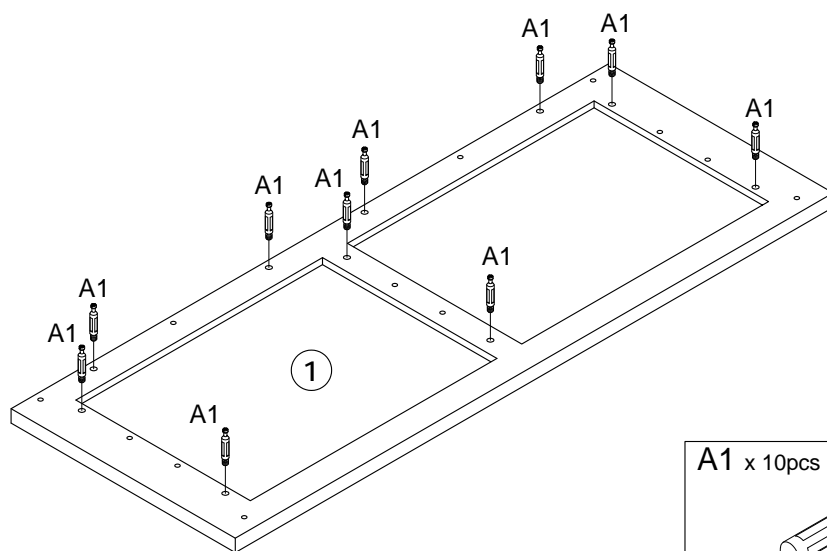
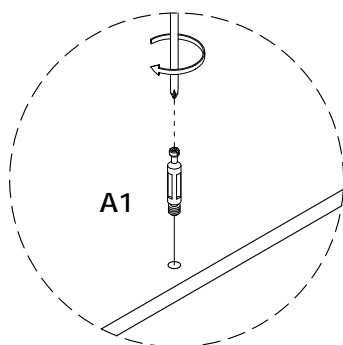
# Step 11



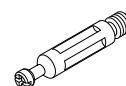
A2 x 11pcs



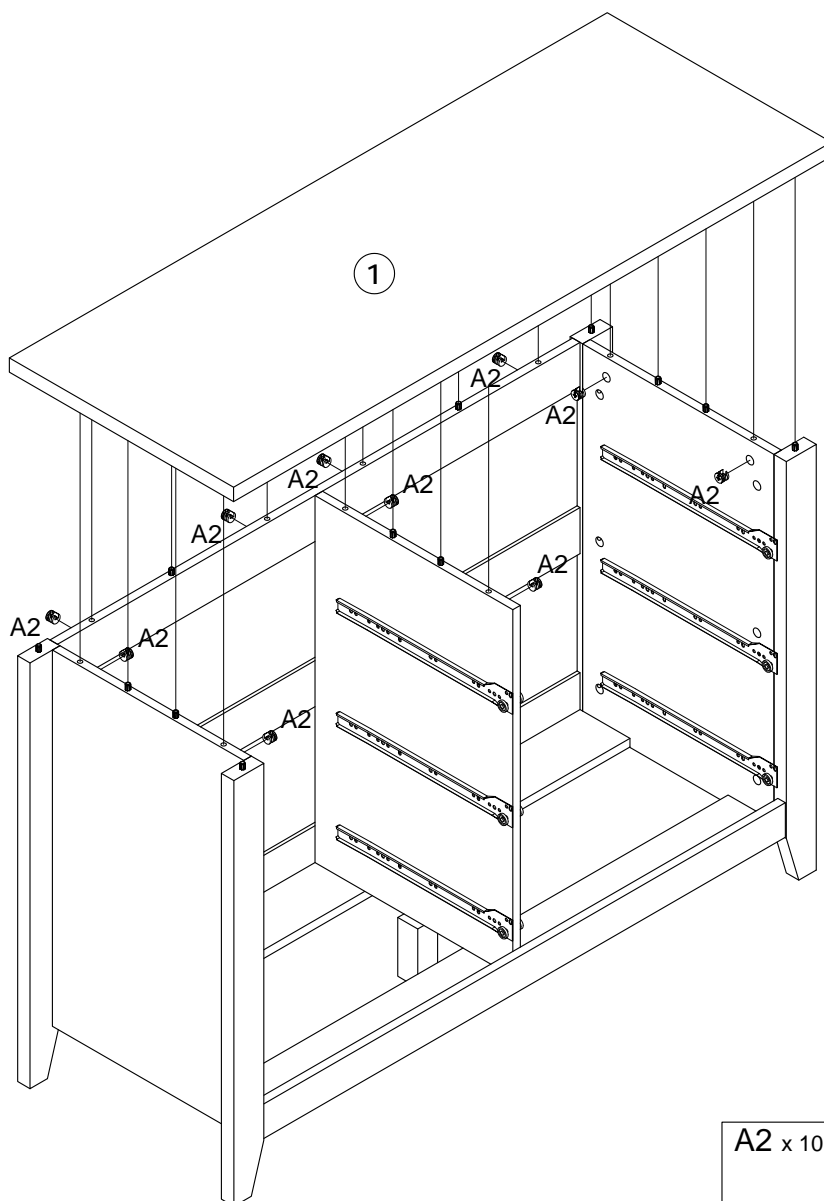
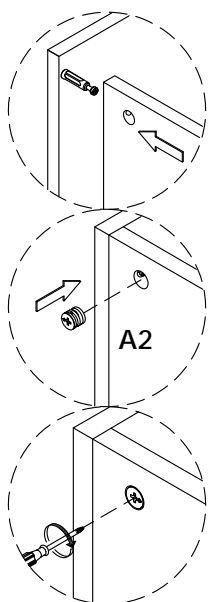
# Step 12



A1 x 10pcs



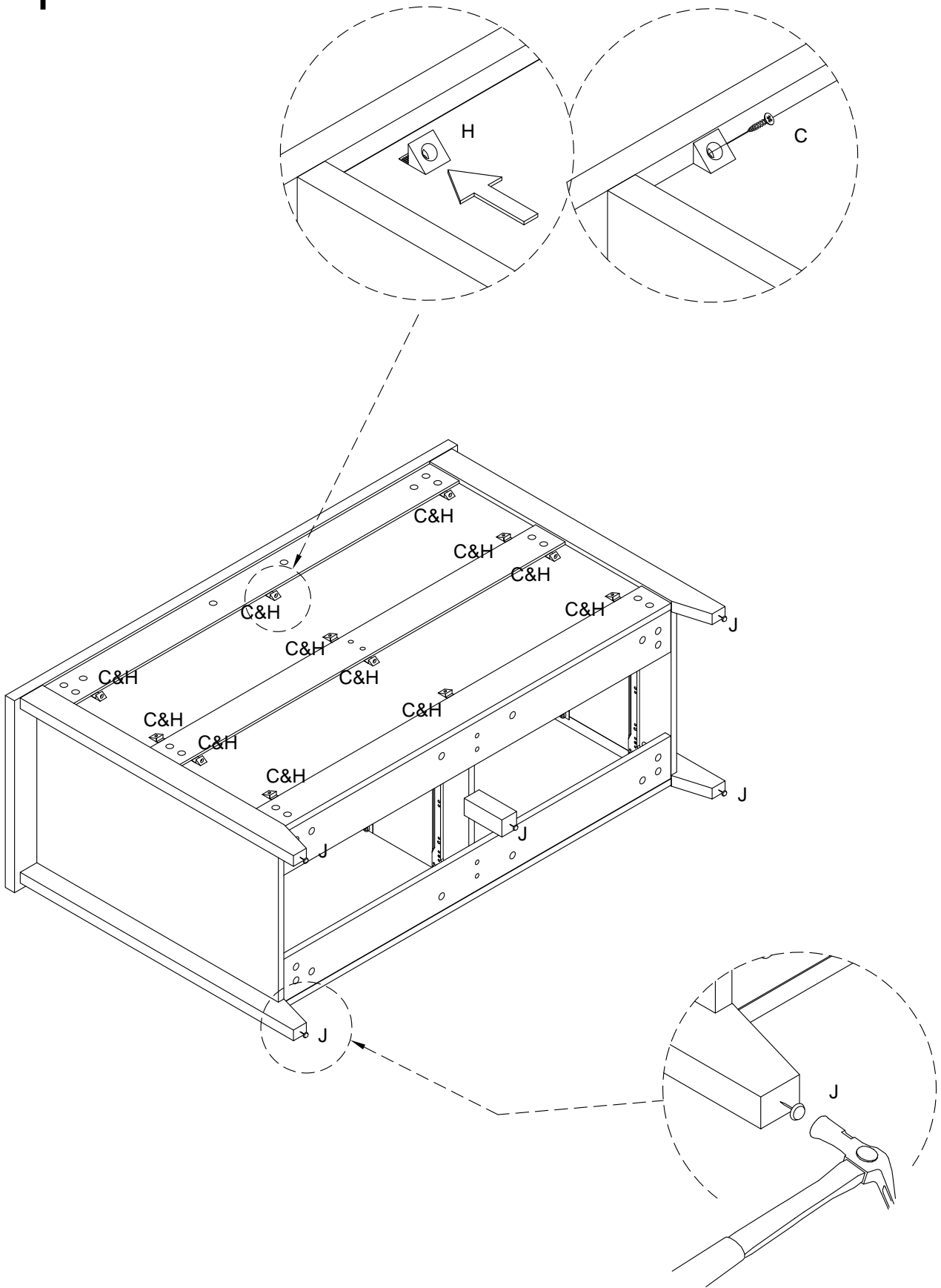
# Step 13



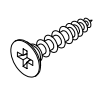
A2 x 10pcs



# Step 14

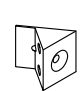


**C** x 12pcs




Φ3.5x14

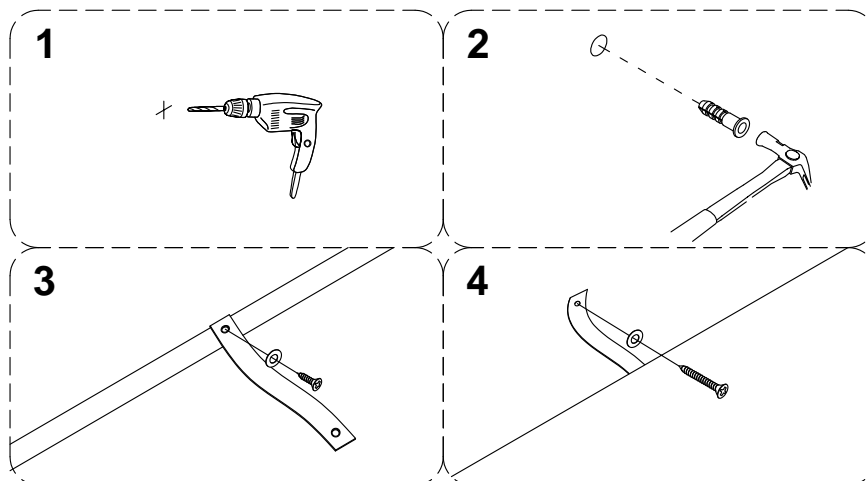
**H** x 12pcs



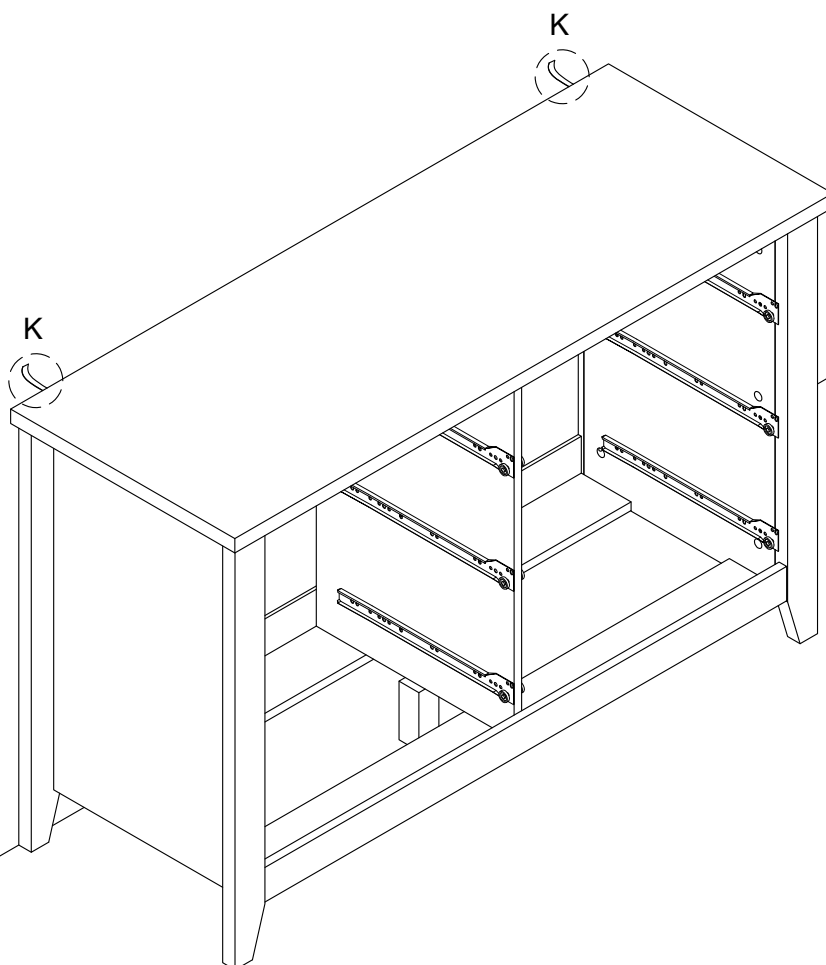
**J** x 5pcs



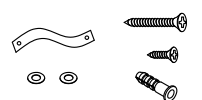
# Step 15



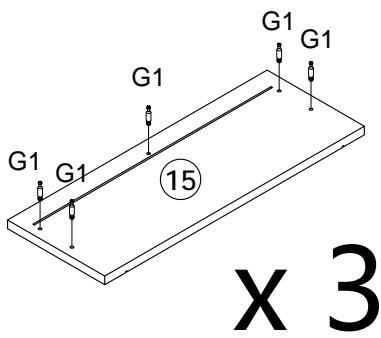
WALL



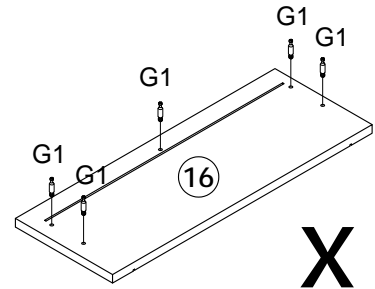
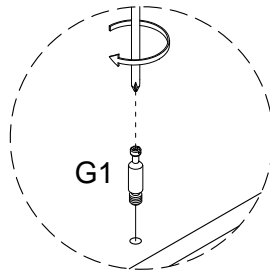
K x 2sets



# Step 16



x 3

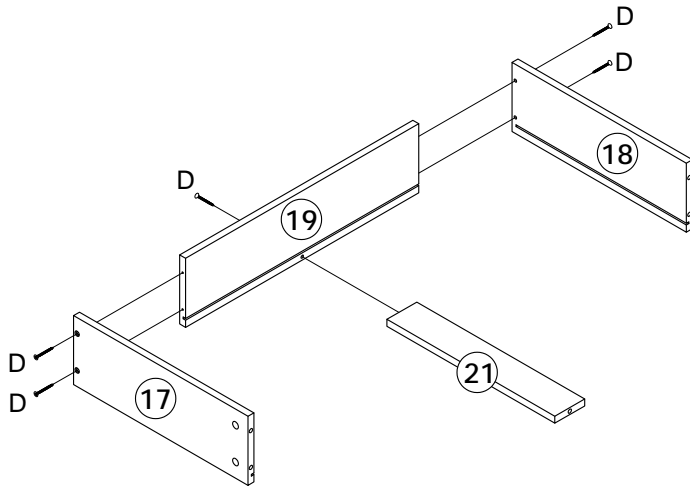


x 3

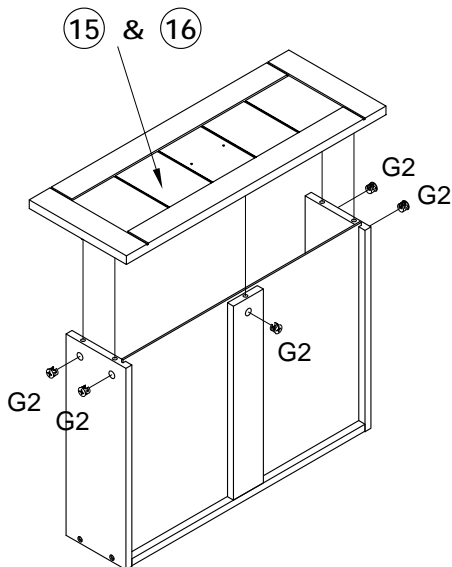
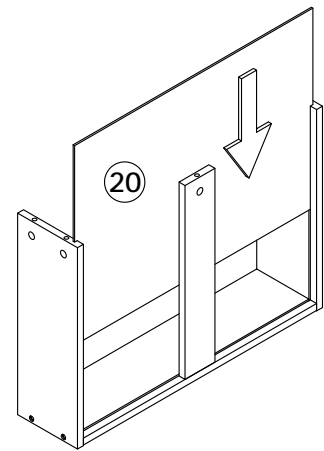
G1 x 30pcs



# Step 17



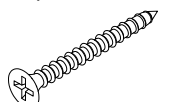
x 6



G2 x 30pcs



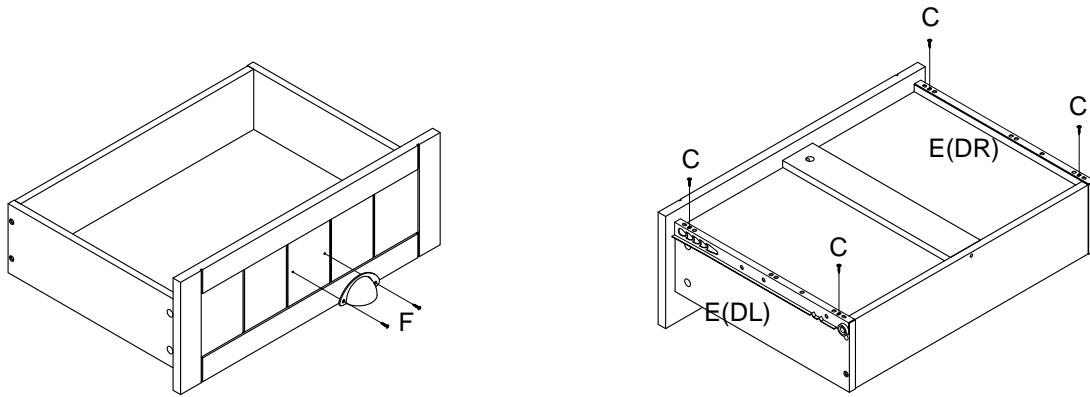
D x 30pcs



Φ3.5x35

# Step 18

# x 6

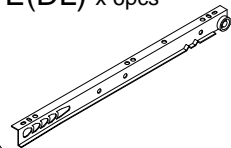


C x 24pcs

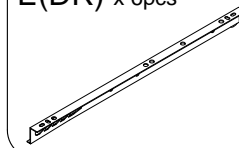


Φ3.5x14

E(DL) x 6pcs



E(DR) x 6pcs



F x 6pcs



# Step 19

