

# ***ASSEMBLY INSTRUCTIONS***



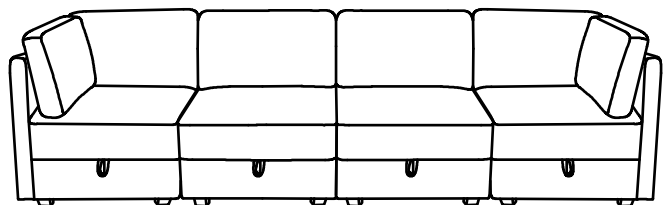
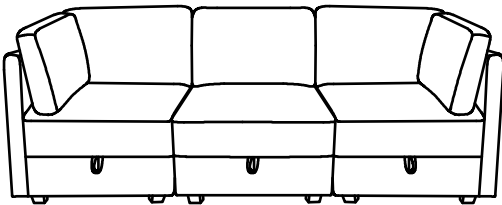
# MODULAR STYLE

Some styles for your reference.

This product can be more fashionable with the flexible combination and your imagination.

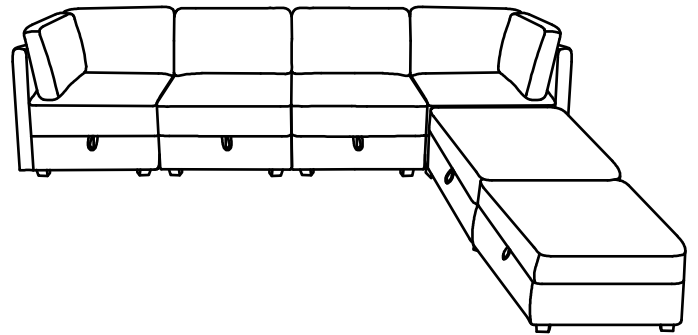
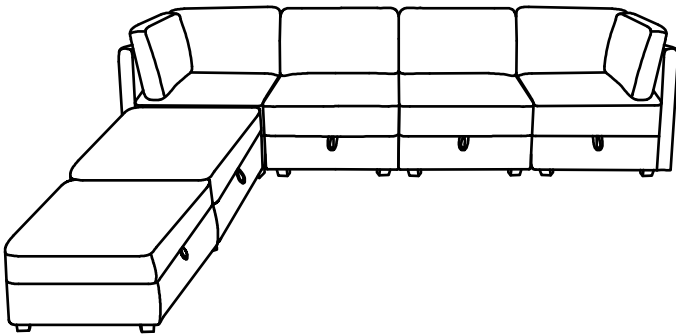
## Style1

Line shape: Corner+ Armless chair



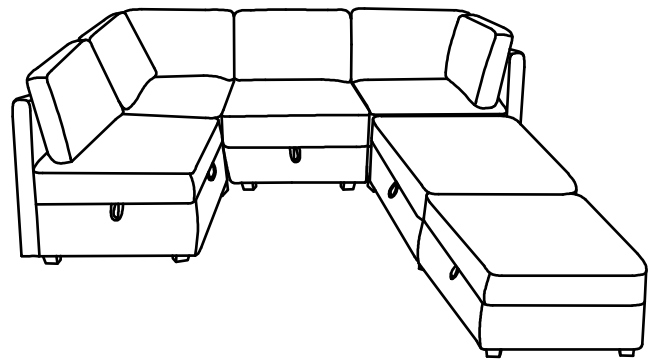
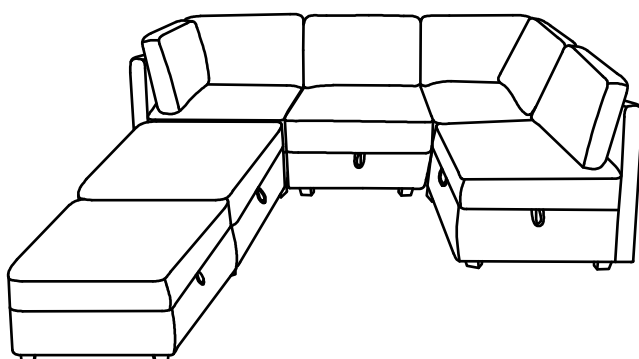
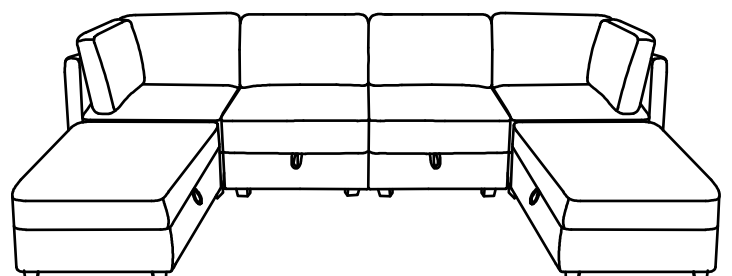
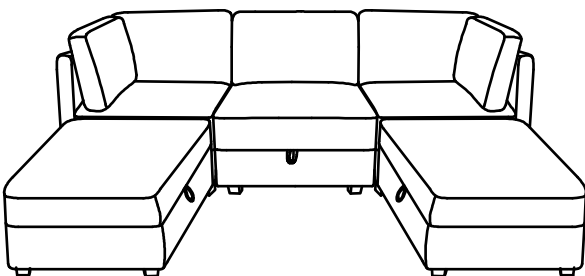
## Style2

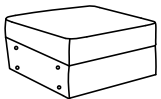

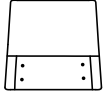







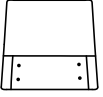

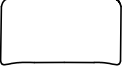



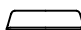


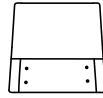

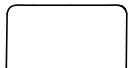




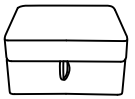


L shape: Corner+ Armless chair+Ottoman



## Style3

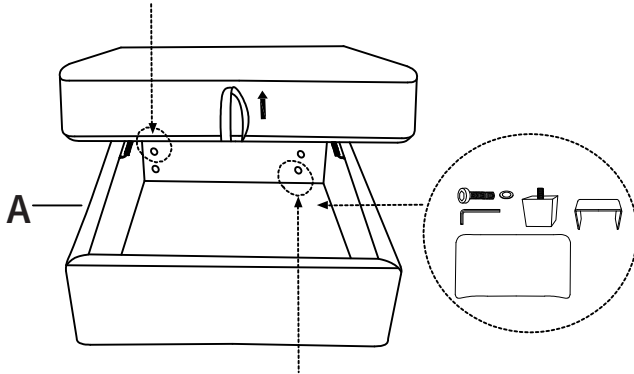
U shape: Corner+ Armless chair+Ottoman



CARTON	ITEM	PARTS IDENTIFICATION	PARTS ID	Quantity	HARDWARE	PARTS ID	Quantity
SEATARMLESS CHAIR WITH STORAGE		 BASE SEAT	A	1PC	 LEG	H	4 PCS
		 BACK FRAM	B	1PC	 SCREWS	I	4 PCS
		 BACK CUSHION	C	1PC	 WASHER	J	4 PCS
					 WRENCH	K	1PC
					 CONNECTOR	L	1PC
CORNER WITH STORAGE	-LEFT	 BASE SEAT	D	1PC	 LEG	H	4 PCS
		 BACK ( AMR )	B	2 PCS	 SCREWS	I	8 PCS
		 BACK CUSHION	C	1PC	 WASHER	J	8 PCS
		 AMR CUSHION	E	1PC	 WRENCH	K	1PC
					 CONNECTOR	L	1PC
CORNER WITH STORAGE	-RIGHT	 BASE SEAT	F	1PC	 LEG	H	4 PCS
		 BACK ( AMR )	B	2 PCS	 SCREWS	I	8 PCS
		 BACK CUSHION	C	1PC	 WASHER	J	8 PCS
		 AMR CUSHION	E	1PC	 WRENCH	K	1PC
					 CONNECTOR	L	1PC
OTTOMAN WITH STORAGE		 OTTOMAN	G	1PC	 LEG	H	4 PCS
					 CONNECTOR	L	1PC

## STEP 1 (ARMLESS CHAIR)

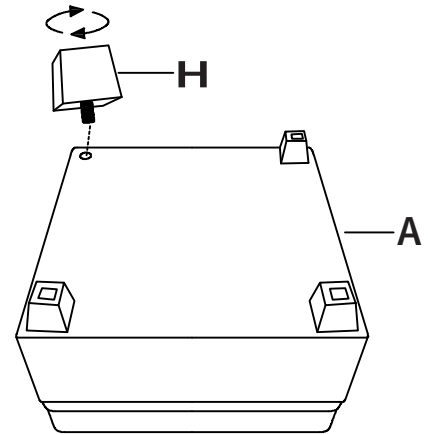
Step 1: Install this screw



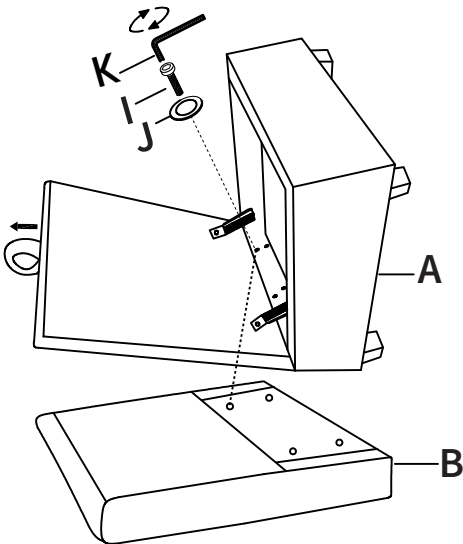
Step 2: Install this screw again

Step 3: Install the other two screws

## STEP 2

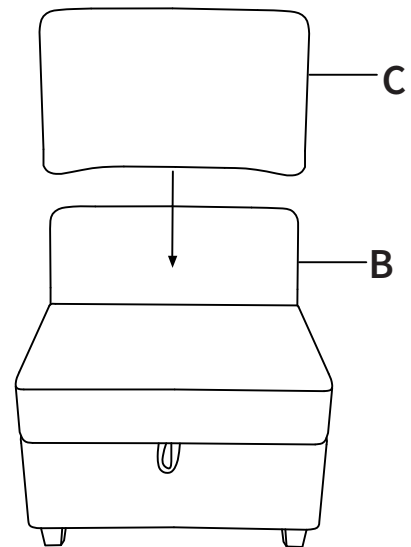


## STEP 3

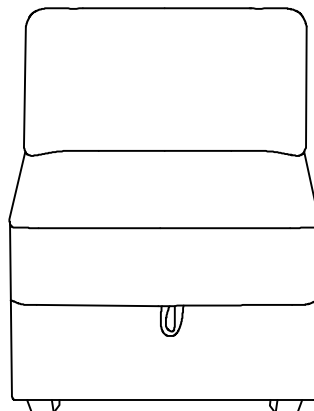


Place the armrest flat on the ground to install the seat frame

## STEP 4

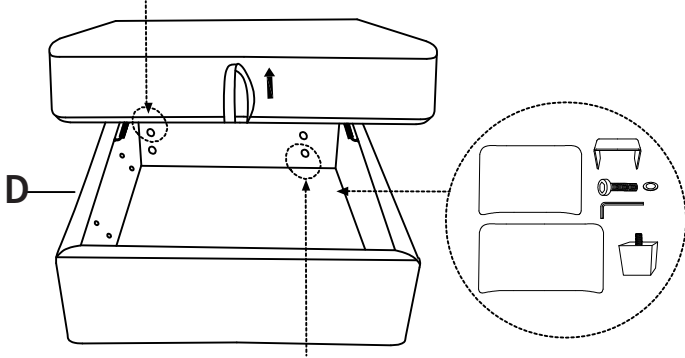


## STEP 5



## STEP 1 LEFT(CORNER)

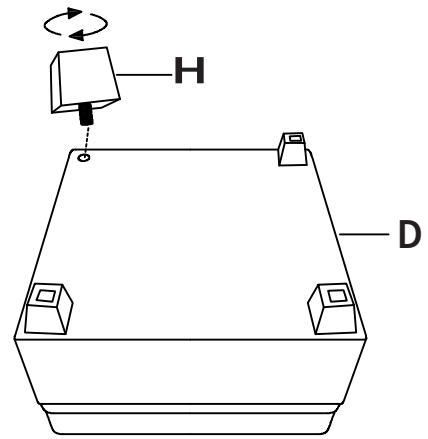
Step 1: Install this screw



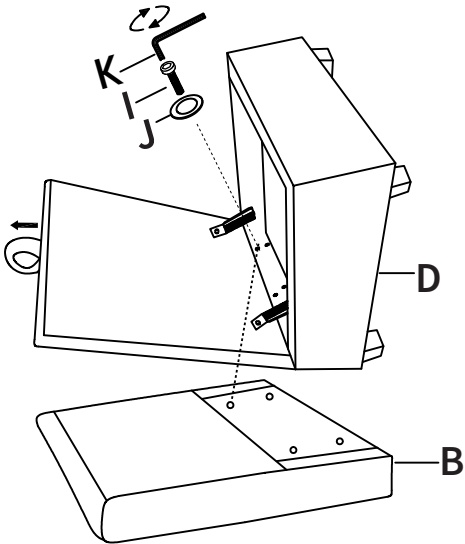
Step 2: Install this screw again

Step 3: Install the other two screws

## STEP 2

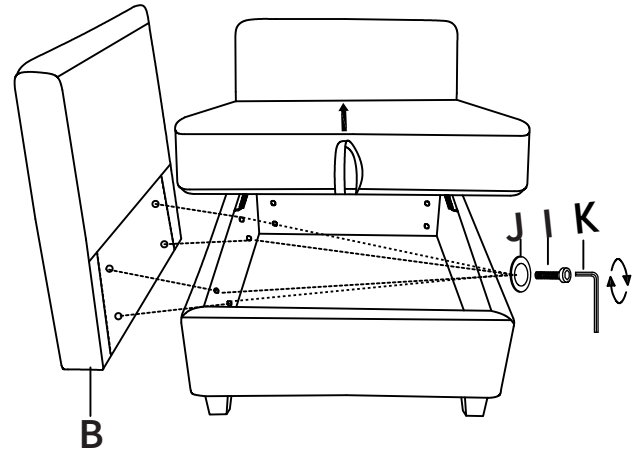


## STEP 3

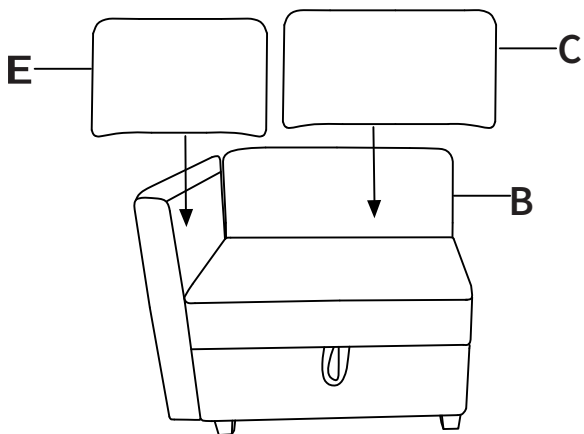


Place the armrest flat on the ground to install the seat frame

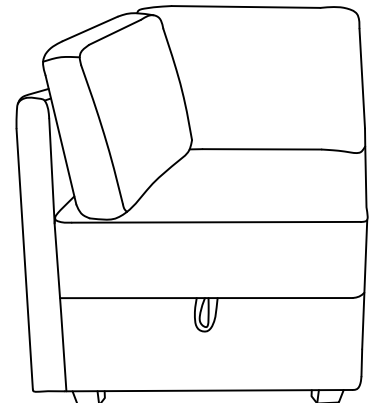
## STEP 4



## STEP 5

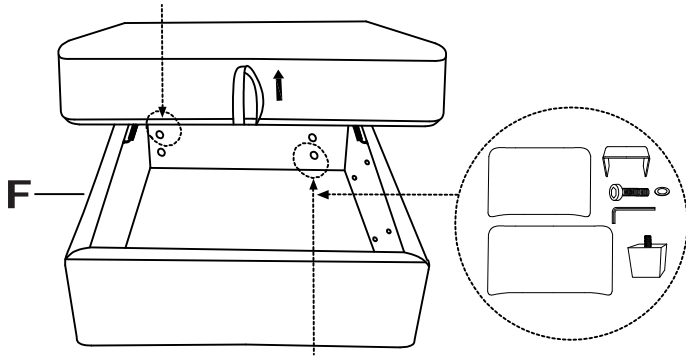


## STEP 6



## STEP 1 RIGHT(CORNER)

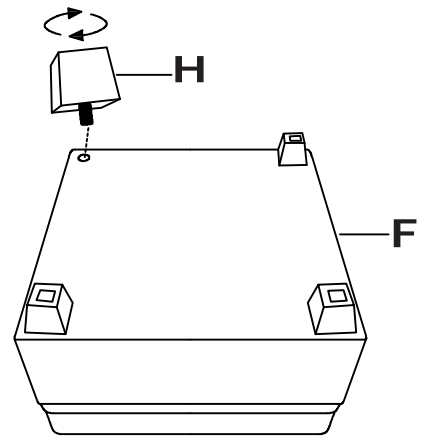
Step 1: Install this screw



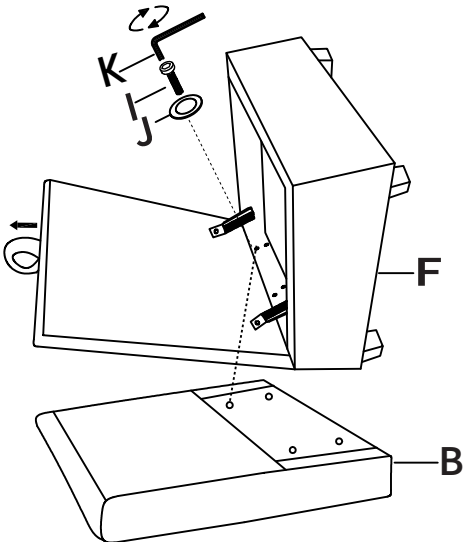
Step 2: Install this screw again

Step 3: Install the other two screws

## STEP 2

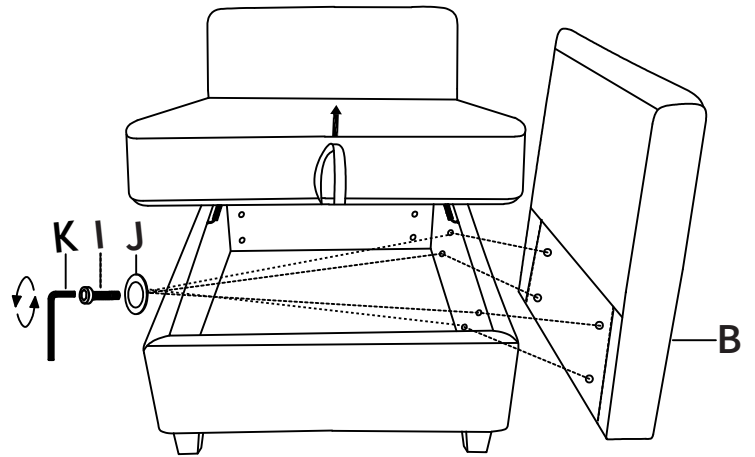


## STEP 3

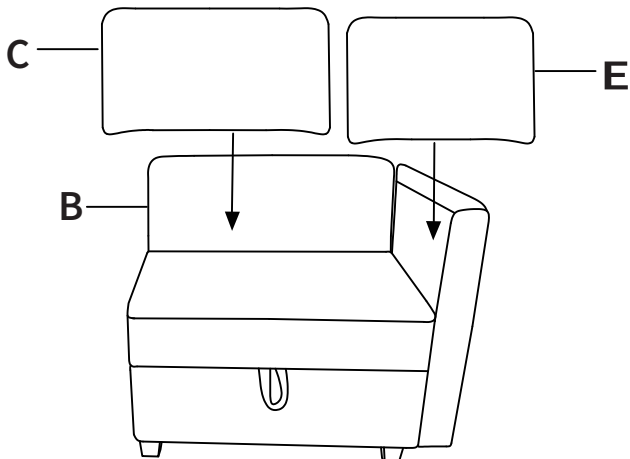


Place the armrest flat on the ground to install the seat frame

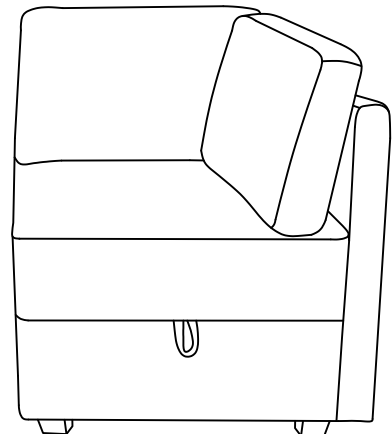
## STEP 4



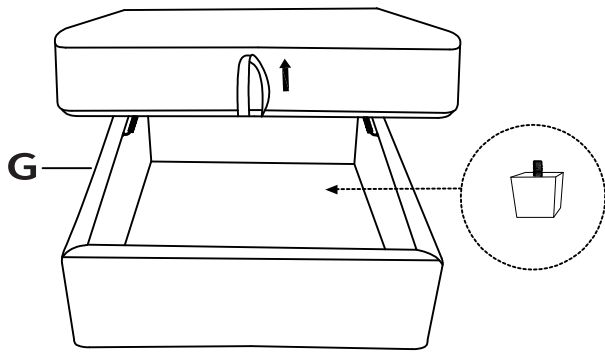
## STEP 5



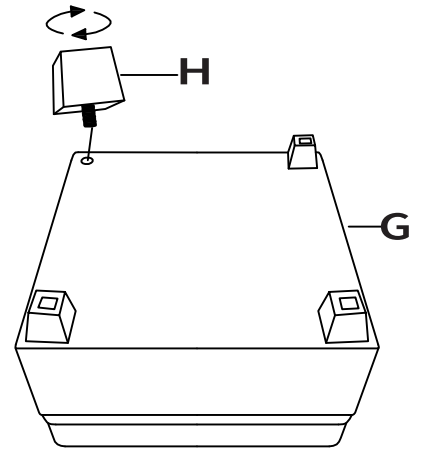
## STEP 6



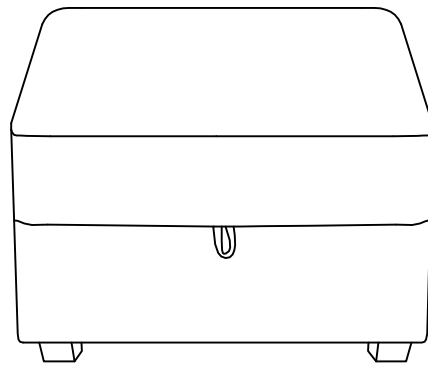
## STEP 1 (OTTOMAN)

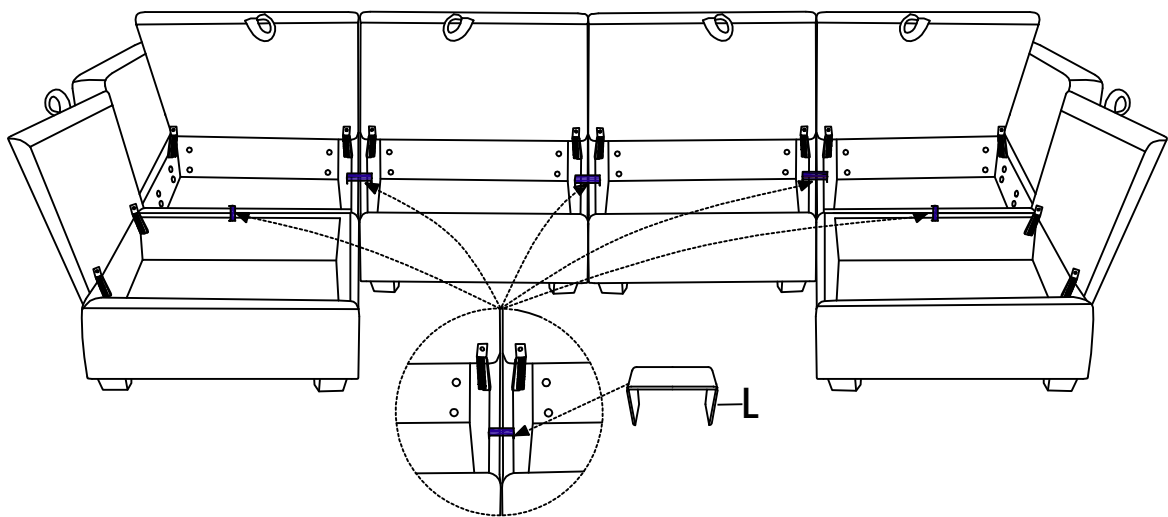
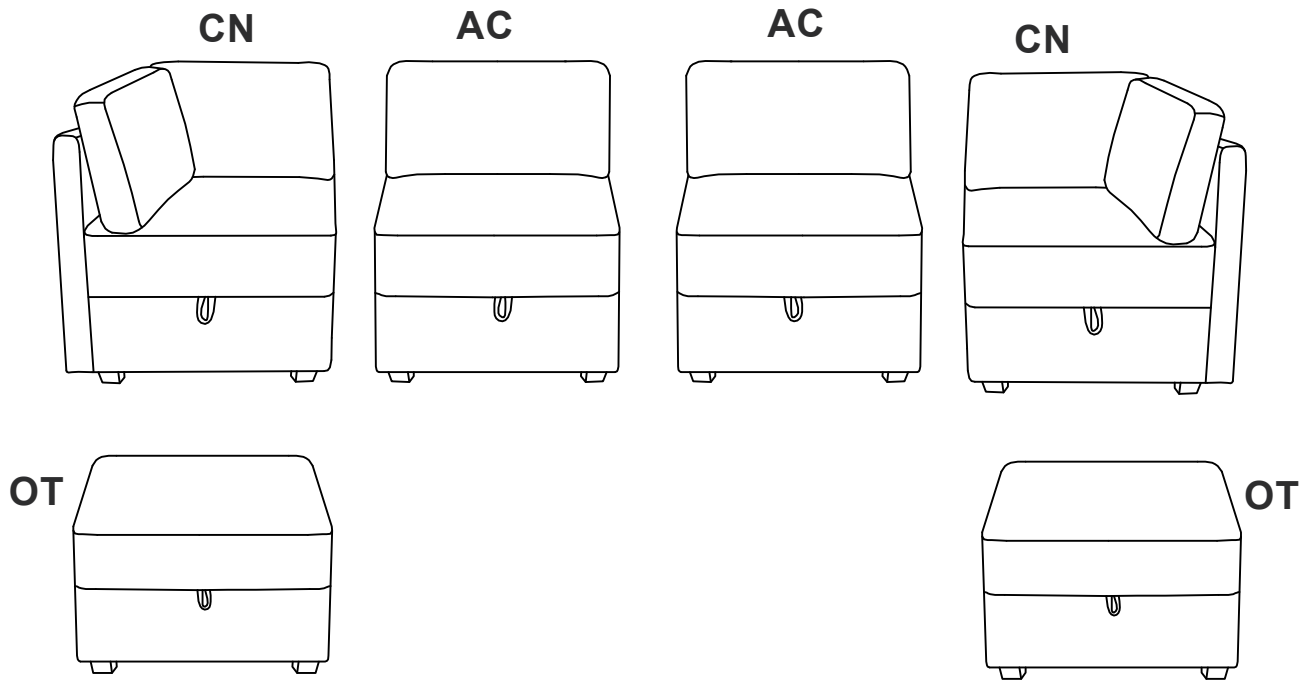


## STEP 2



## STEP 3





**Page 2's style for your reference. We believe, the flexible combination and your imagination, can be more fashionable with this product.**

## ITEM: P10

## ASSEMBLY INSTRUCTIONS

### ASSEMBLY TIPS

- 1.Remove hardware from box and sort by size.
- 2.Please check to see that all hardware and parts are present prior to start of assembly.
- 3.Please follow attached instructions in the same sequence as numbered to assure fast & easy assembly



### **WARNING**

- 1.Don't attempt to repair or modify parts that are broken or defective. Please contact the store immediately.
- 2.This product is for home use only and not intended for commercial establishments.

**ASSEMBLY TIME: 20 MINUTES**

If you receive any damaged or defective parts, please provide the following information and contact us as soon as possible. We will respond within 24 hours: