

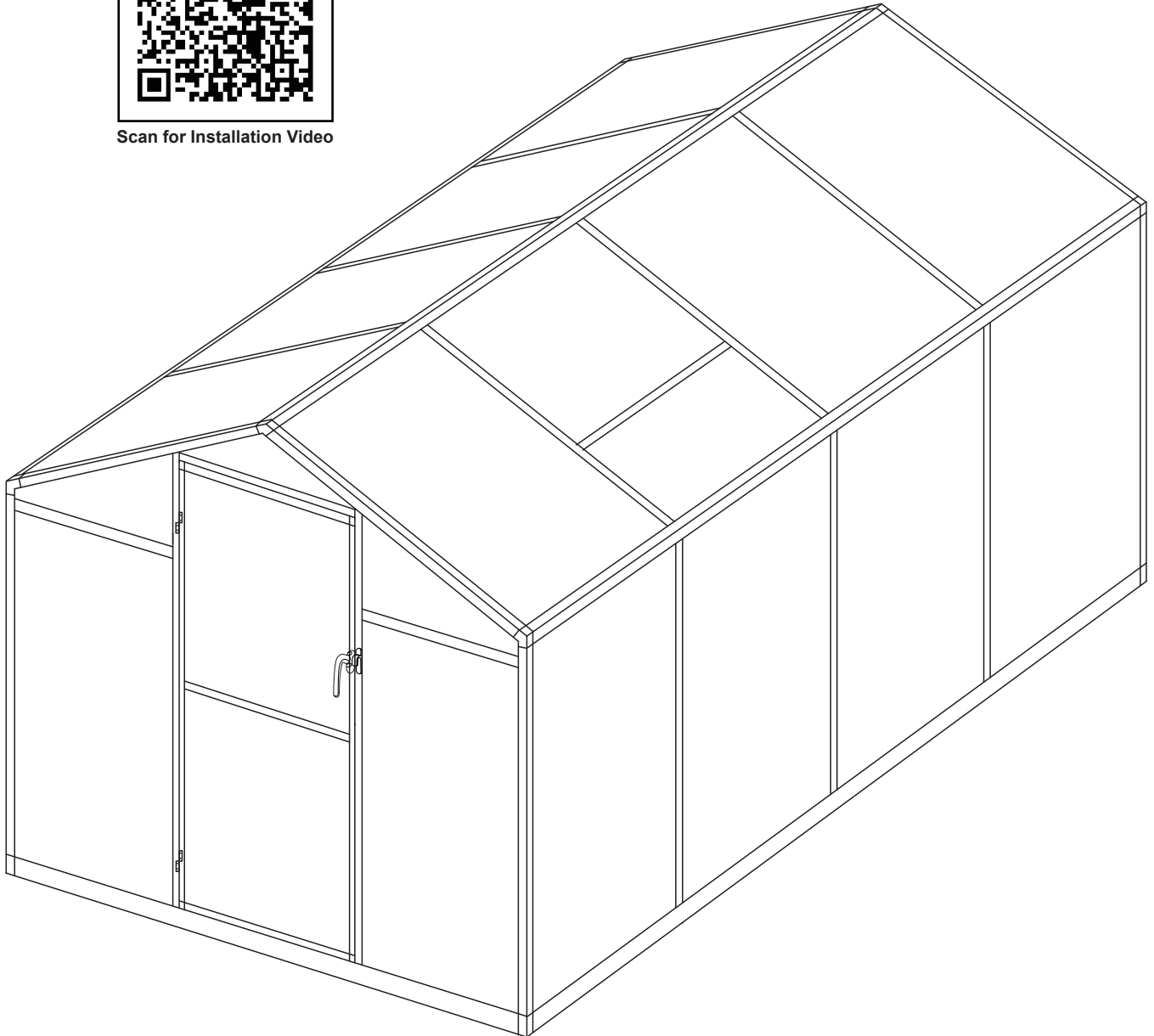


Aluminium Greenhouse

ASSEMBLY INSTRUCTIONS



Scan for Installation Video



www.veikous.com



customerservice@veikous.com

Please read the entire instruction carefully before assembly. It is **HIGHLY RECOMMENDED** familiarizing yourself with the parts and double check the appropriate parts for each step.

STOP

**MISSING A PART?
CALL US BEFORE GOING
BACK TO THE STORE**

The store where you made your purchase
Does not stock parts for this item.
If you have assembly questions or you are missing or
have damaged parts, please call

1-858-324-1911

(Mon - Fri, 10:00 am to 7:00 pm EST)

you can also e-mail customerservice@veikous.com

or visit www.veikous.com

Please prefer email contact. Due to busy lines,
there may be a wait for calls to be answered.

Please have the following information ready when you make your call:

- Model Number of the product located on the front of the assembly manual
 - Description of the part from the parts list
-
- Read entire assembly manual, paying special attention to the important tips and safety information .
 - Ensure there are no missing pieces by first separating and identifying all parts.
 - Make sure to check packing material for small parts that may have fallen out during shipment.
 - Structures are not intended for public use. The Company does not warranty any of its residential structures subjected to commercial use such as: Daycare, Preschool, Nursery School, Recreational Park, or any similar Commercial Application.
 - This manual contains helpful information concerning assembly preparation, installation procedure and required maintenance.
 - Always keep safety in mind as your structure is being built.
 - Keep these instructions for future reference.

Care And Warning

Do not use this product in extreme weather

It will cause product damaged directly or shorten product service time drastically in extreme weather.

Bolts can loosen over time.Be sure to check bolts occasionally, tightening at least twice a year.

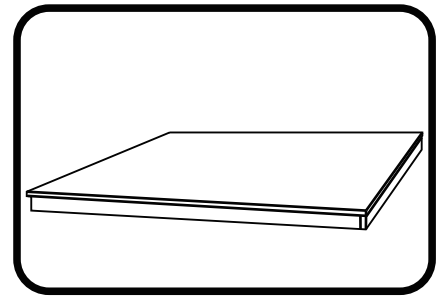
Check all screws for tightness before and during usage of the unit.

Due to the nature of metal, surface oxidation (rusting) will occur once protective coatings are scratched.

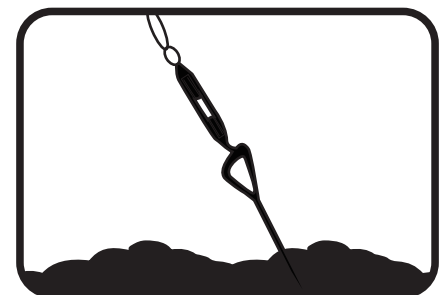
RECOMMENDATIONS OF INCREASING WIND RATING OF GREENHOUSES
(NOT INCLUDED) ESPECIALLY IN AREAS WITH STRONG WINDS, RAIN AND SNOW



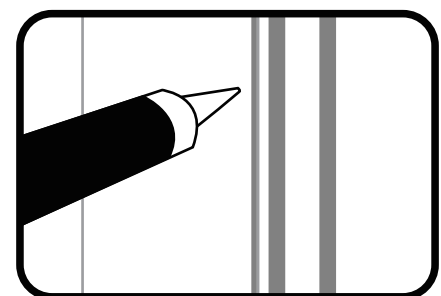
Bolt the greenhouse down to the ground with either a concrete slab, base plates or flanged feet



Using extra tie-down kits

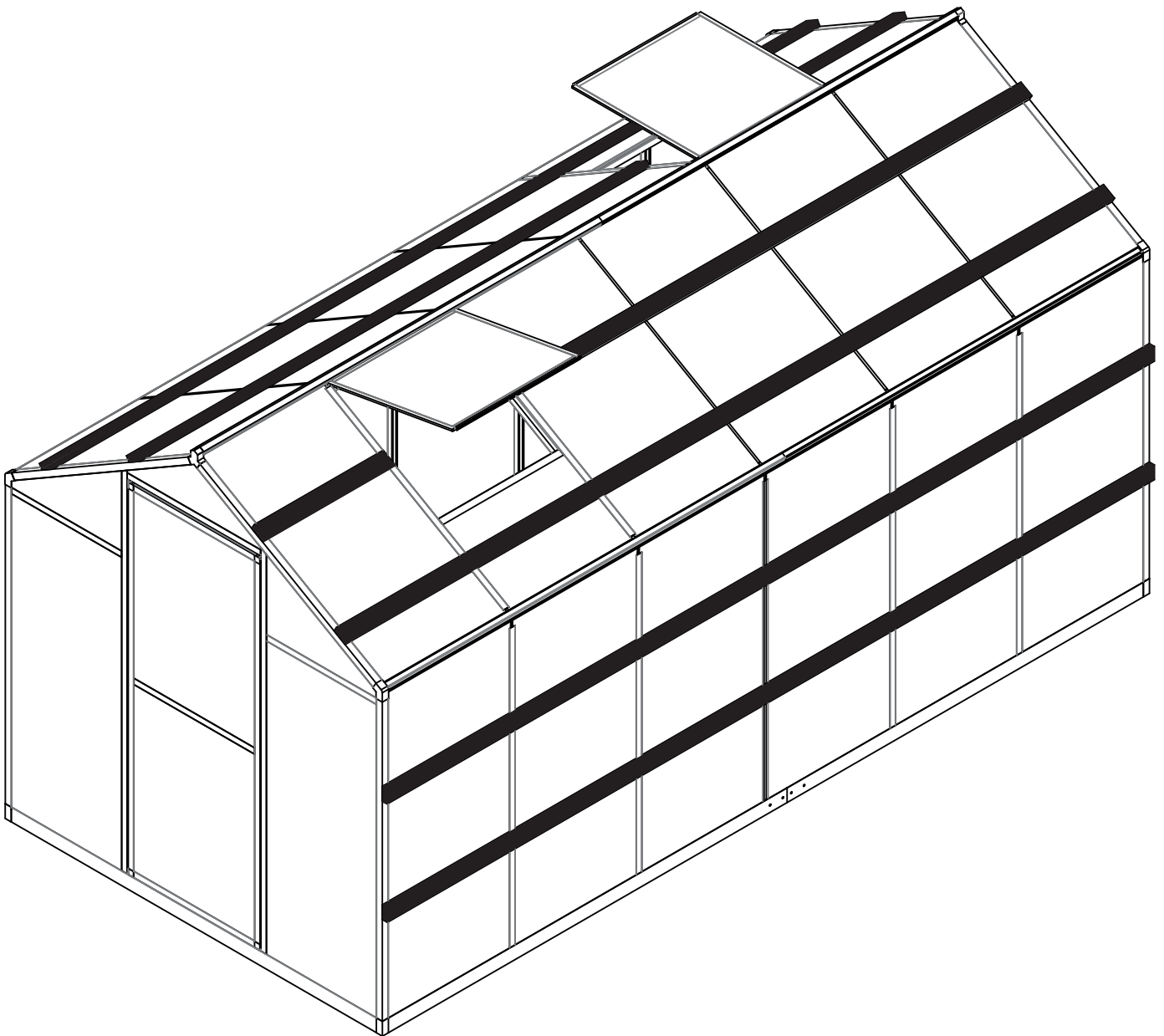


Using silicone sealant to seal the panels

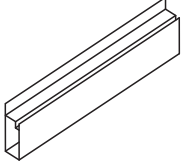
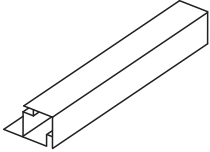
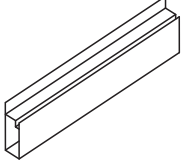
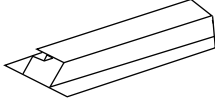
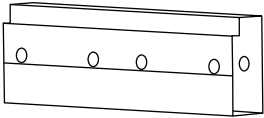
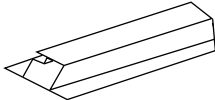
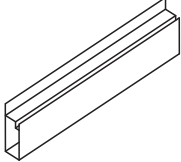
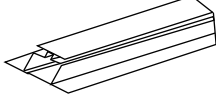
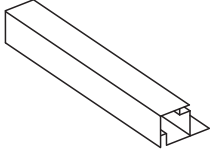
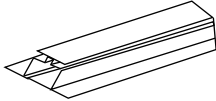
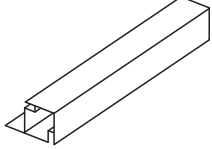
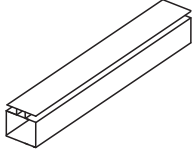
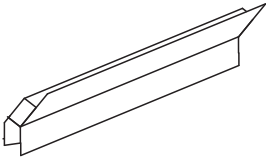
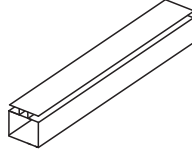
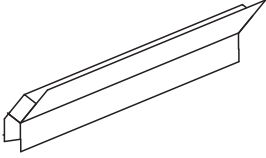
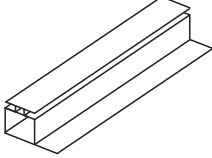

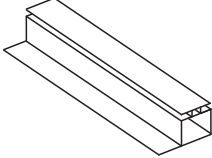
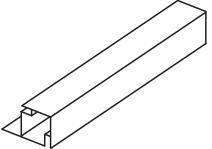
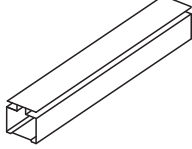


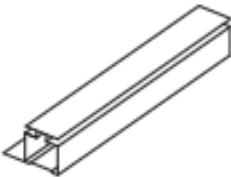
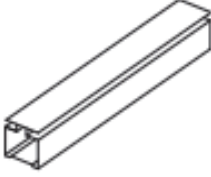
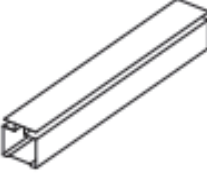



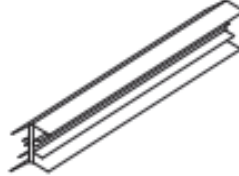

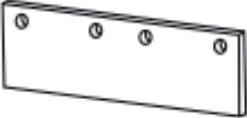
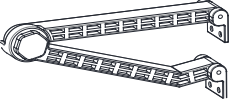
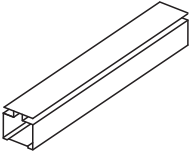

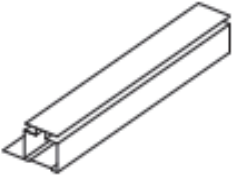

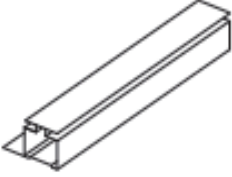
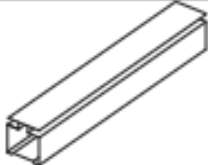
RECOMMENDATIONS OF INCREASING WIND RATING OF GREENHOUSES ESPECIALLY IN AREAS WITH STRONG WIND , RAIN AND SNOW

Fix wood planks or boards (NOT INCLUDED) with screws on the roof and side walls (AS HIGHLIGHTED) of the greenhouse to enhance the wind resistance level of the greenhouse.

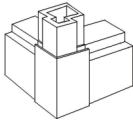
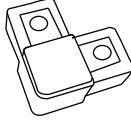
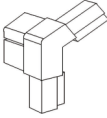
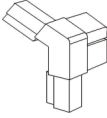
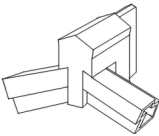


Aluminum Parts:












No.	Picture	Qty.	Size	No.	Picture	Qty.	Size
1		2		9		2	
2		2		12		1	
2-1		2		13		1	
3		2		14		1	
5A		2		15		1	
5B		2		16		6	
6		2		17		4	
7		2		18A		1	
7-1		2		18B		1	
8		2		19		4	

No.	Picture	Qty.	Size	No.	Picture	Qty.	Size
21		1		28		1	
22		1		30-1		1	
23		1		30-2		2	
23A		1		30-3		1	
23-1		1		30-4		1	
24		1		31		1	
25		1		31A		1	
26		1					
27		2					

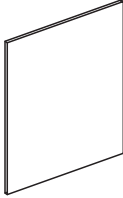

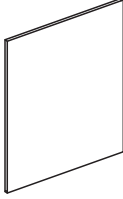
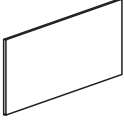
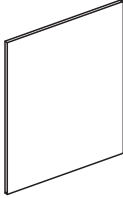
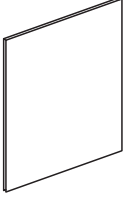
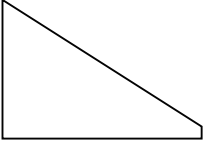
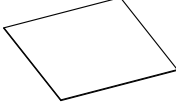
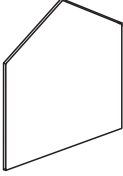
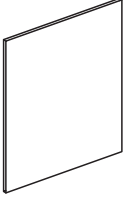
Plastic Parts:

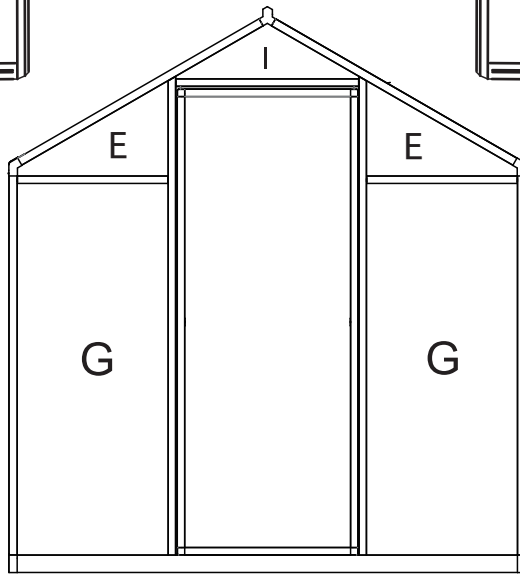
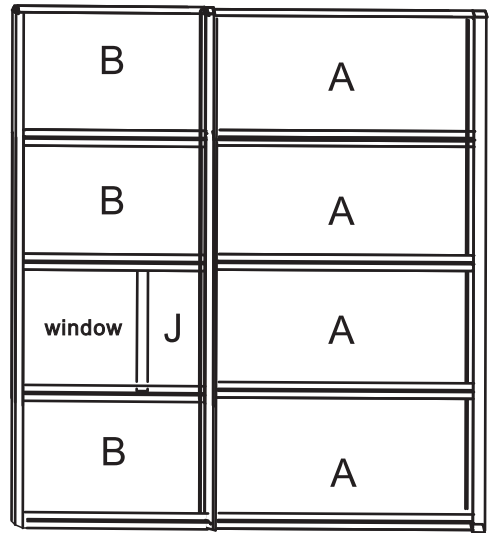
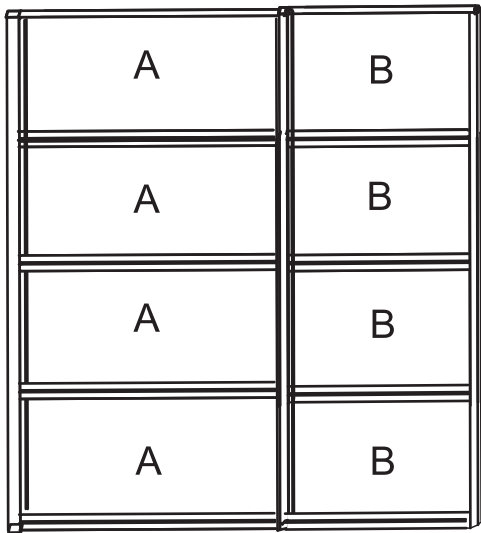
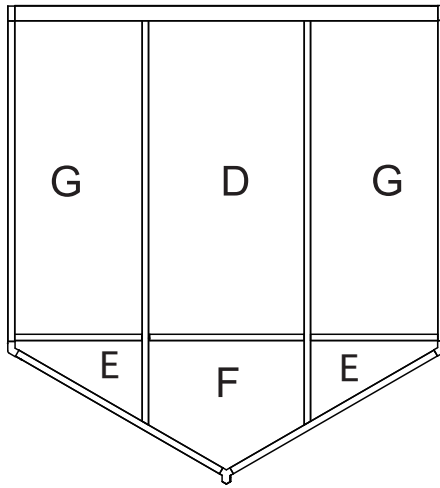
No.	Picture	Qty.	Size	No.	Picture	Qty.	Size
32		4		37		4	
33A		2					
33B		2					
34		2					

Hardware:

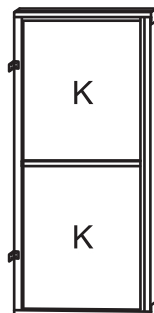
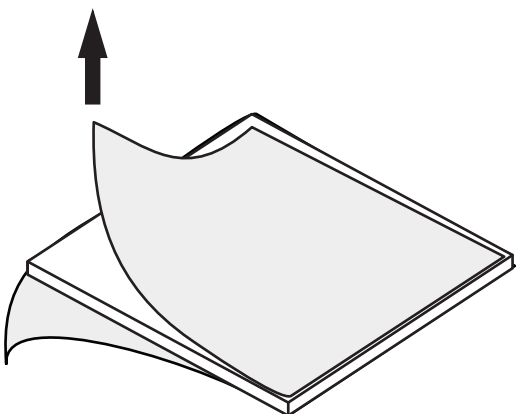
No.	Picture	Qty.	Size	No.	Picture	Qty.	Size
42		92 (+7)	M6*15	45		8 (+2)	M6*35
44		8 (+2)	M6*30	46		10 (+2)	M6*16
47		6	M4*16	48		8	
		36	M6 nut	F1		6	
							
							

Twin PC Board:

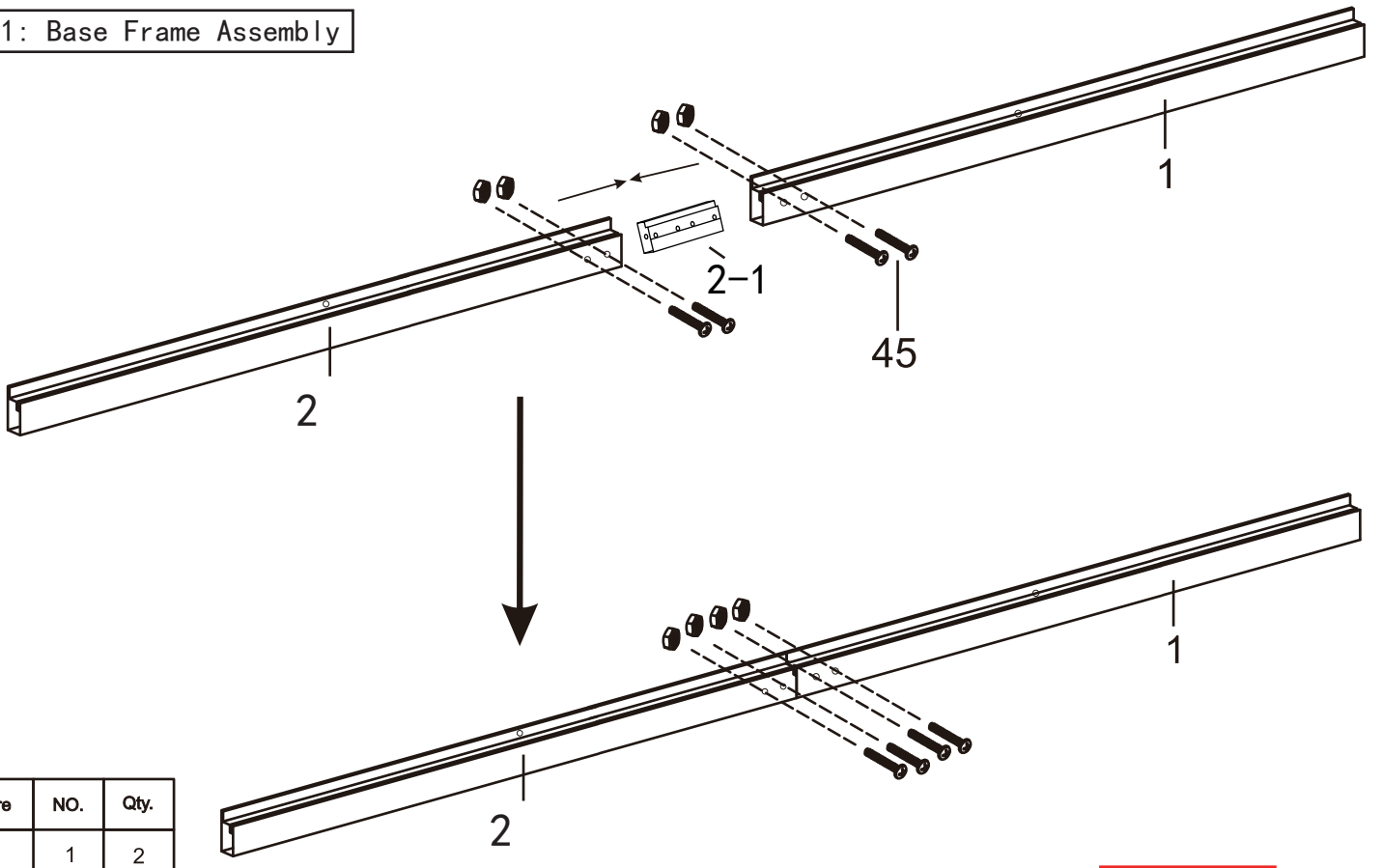
No.	Picture	Qty.	Size	No.	Picture	Qty.	Size
A		8		I		1	
B		7		J		1	
D		1		K		2	
E		4		L		1	
F		1					
G		4					



Note: The film on both sides of the PC board needs to be removed before assembly



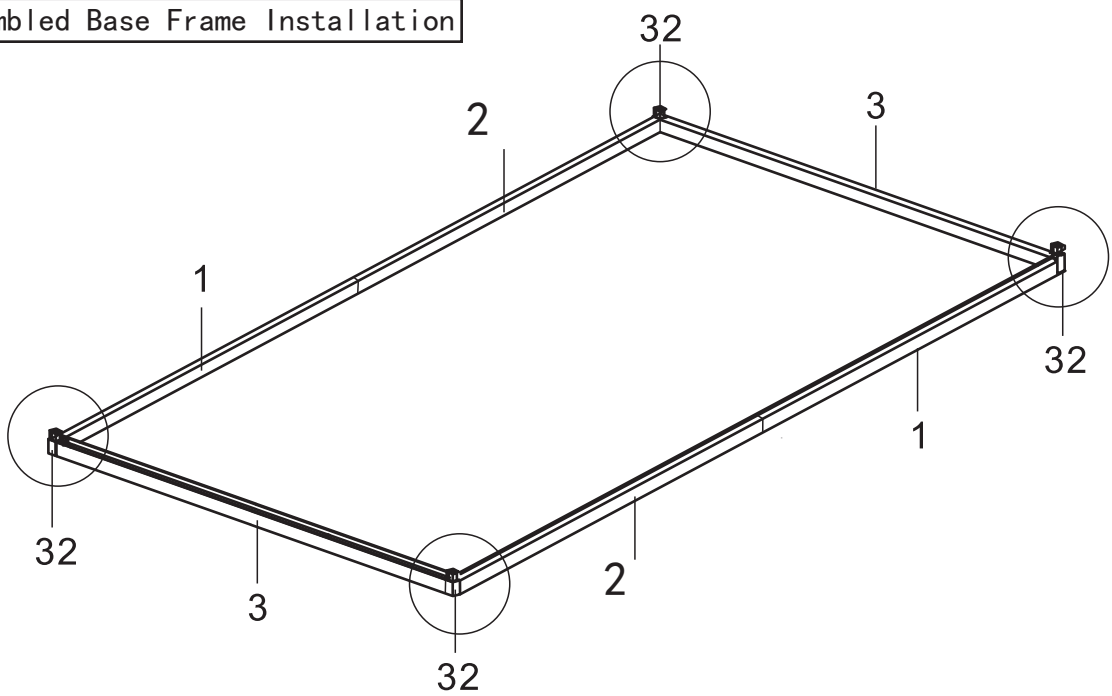
Step 1: Base Frame Assembly



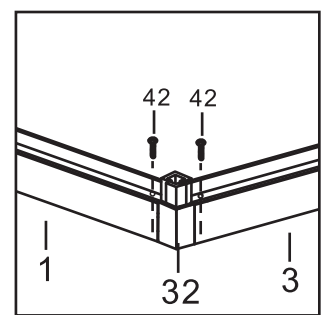
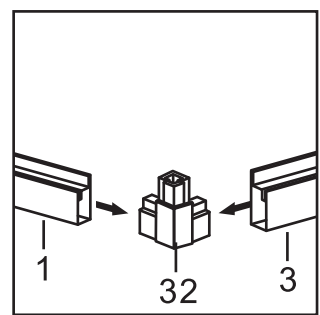
Picture	NO.	Qty.
	1	2
	2	2
	2-1	2
	45	8

X2




Step 2: Pre-Assembled Base Frame Installation

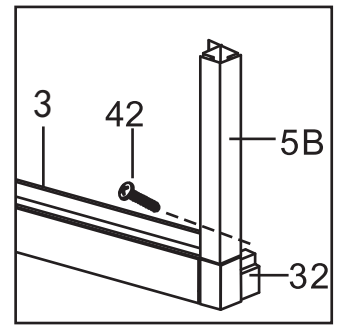
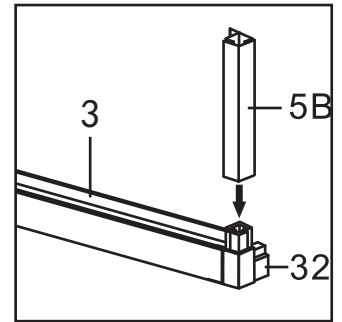
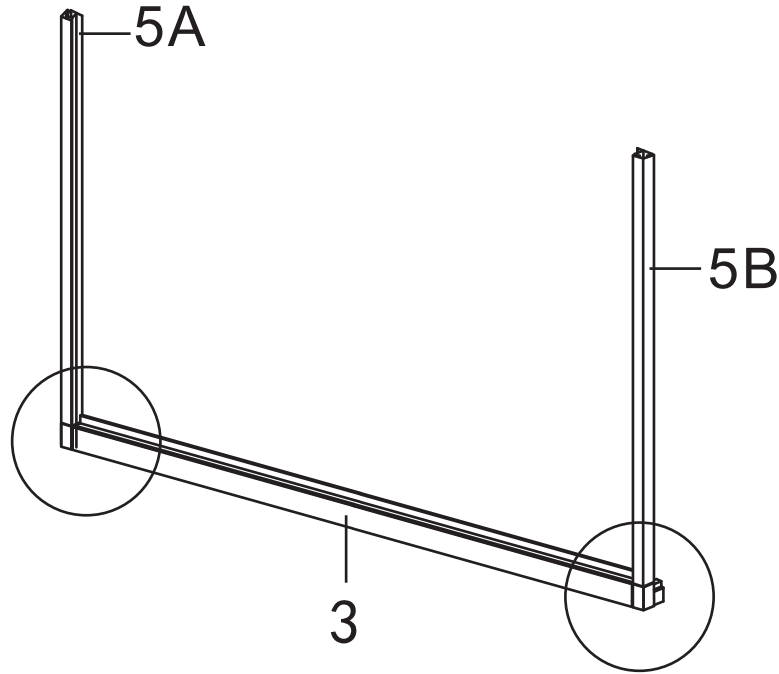
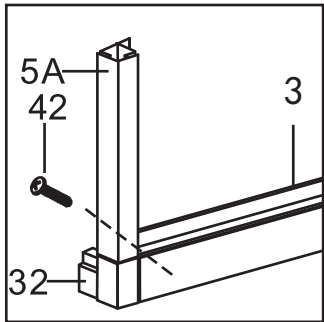
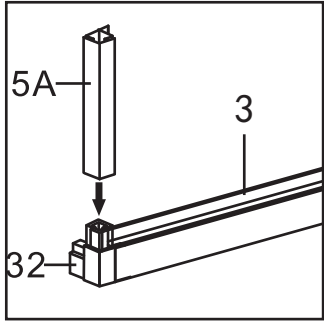


Picture	NO.	Qty.
	1	2
	32	4
	42	8






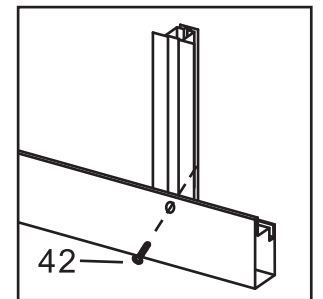
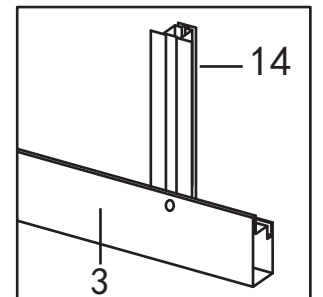
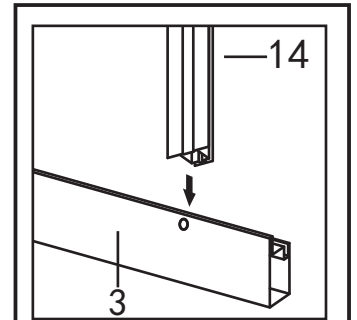
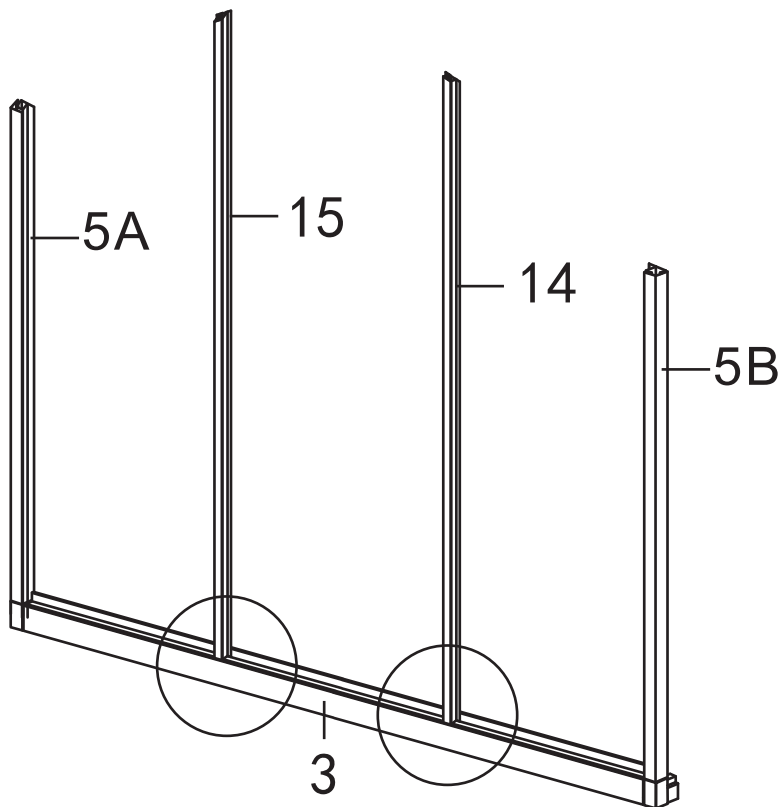
Step3-1: Back Wall Frame Assembly

Picture	NO.	Qty.
	5A	1
	5B	1
	42	2

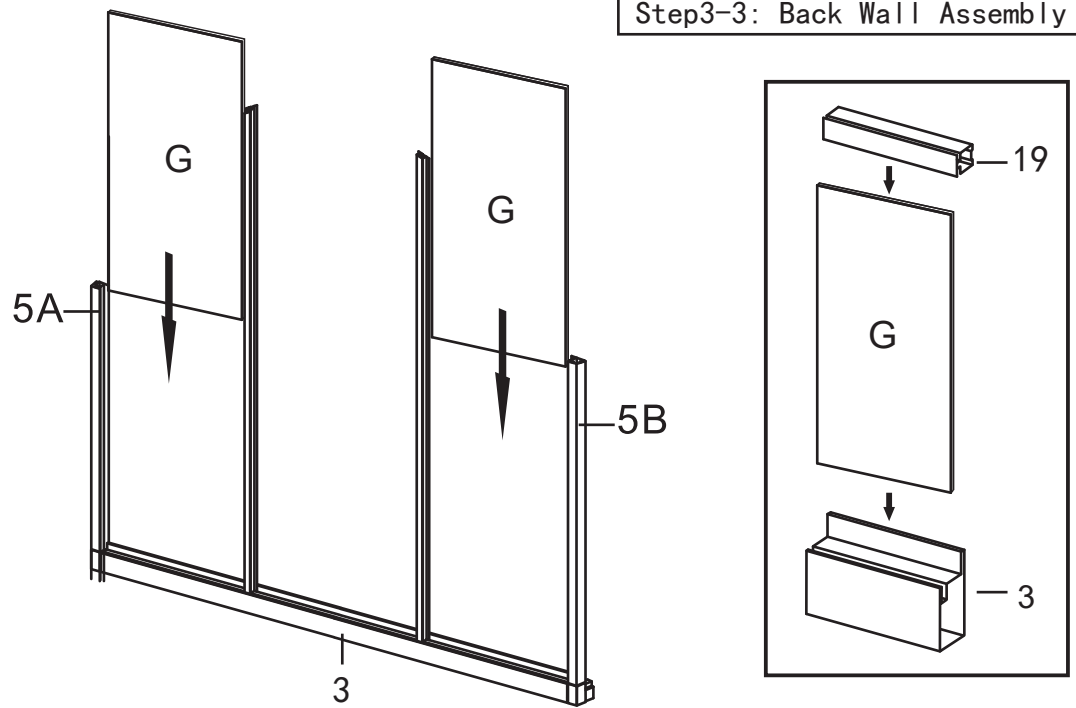


Step3-2: Back Wall Frame Assembly

Picture	NO.	Qty.
	14	1
	15	1
	42	2

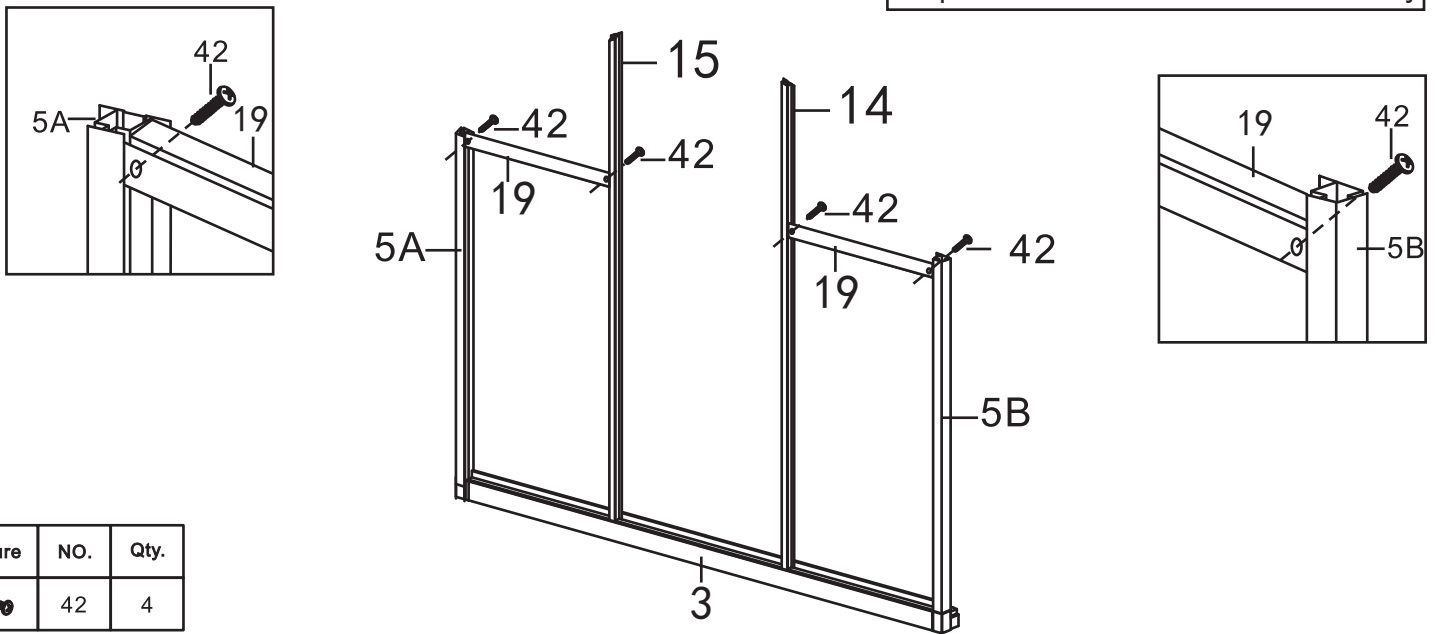


Step3-3: Back Wall Assembly



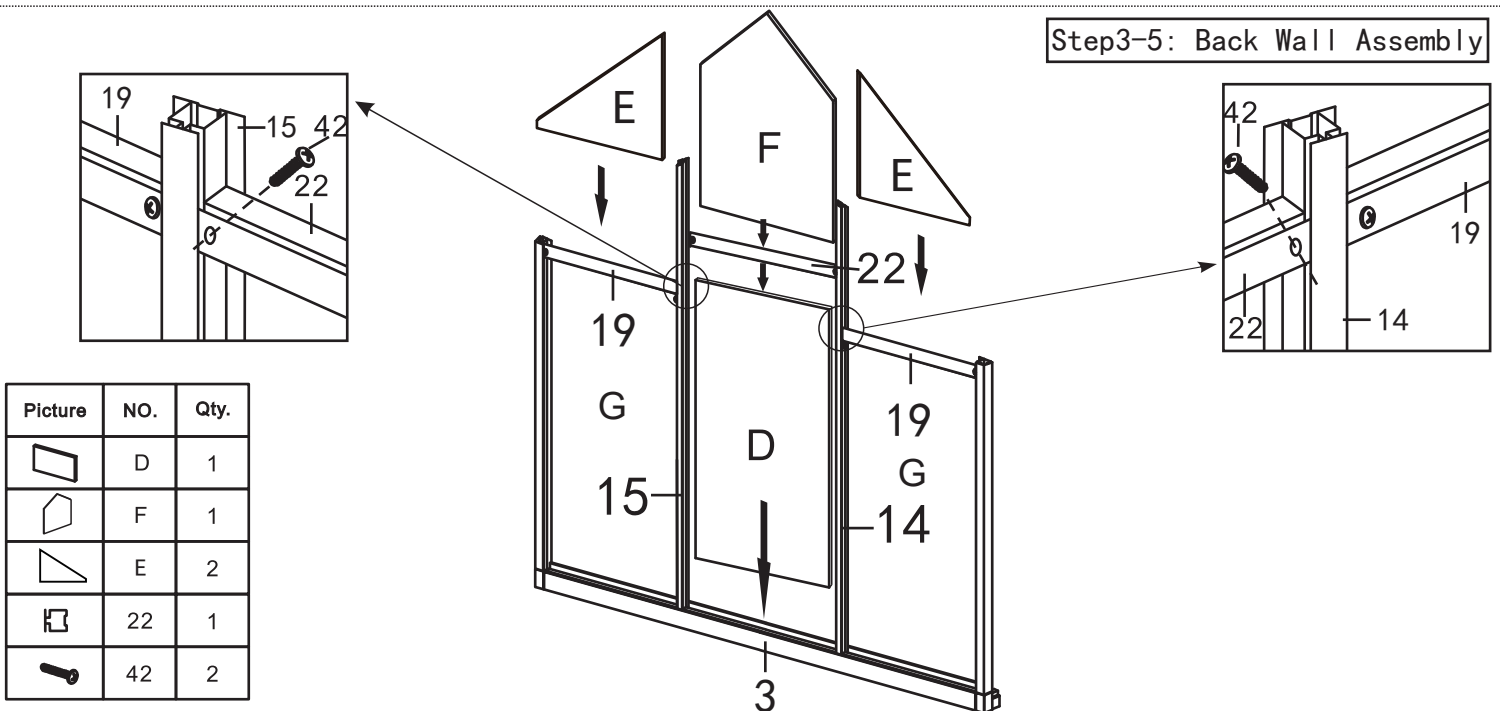
Picture	NO.	Qty.
	G	2
	19	2

Step3-4: Back Wall Frame Assembly



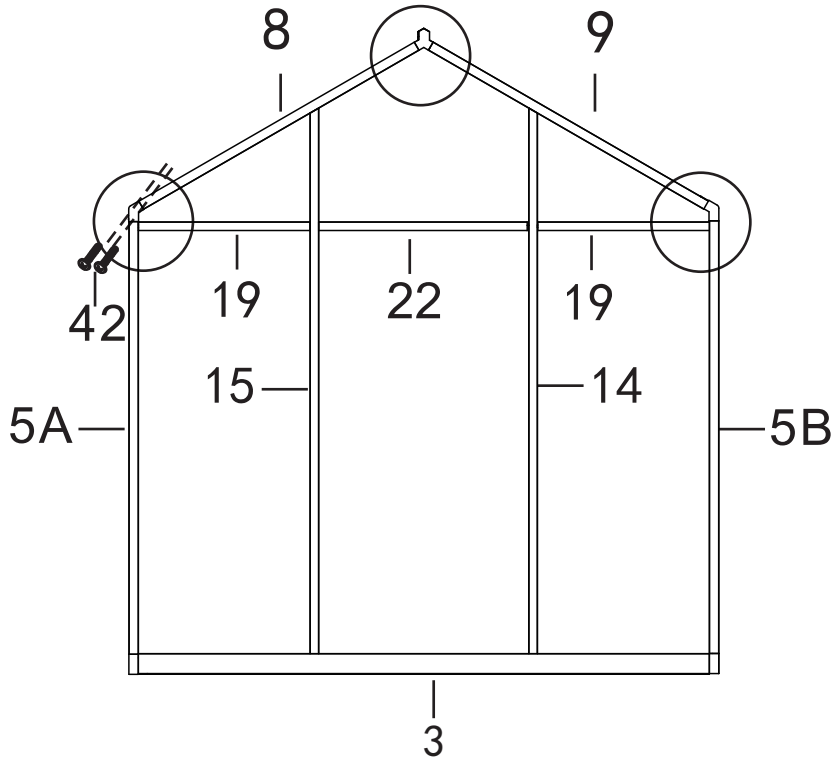
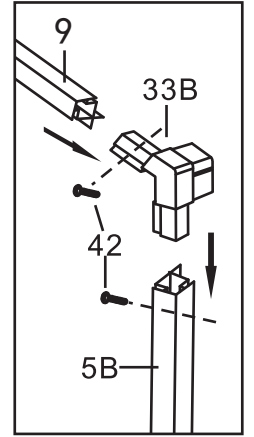
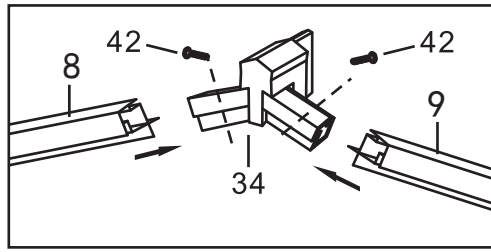
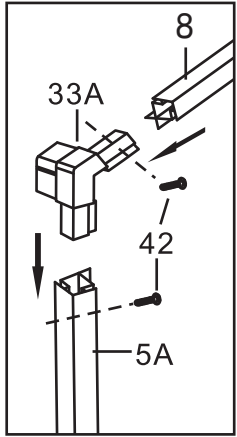
Picture	NO.	Qty.
	42	4

Step3-5: Back Wall Assembly



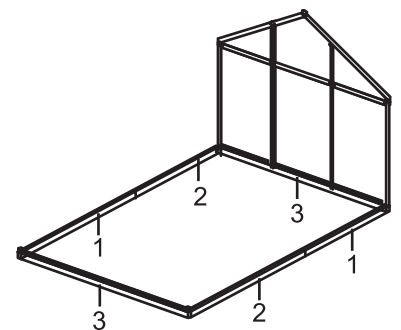
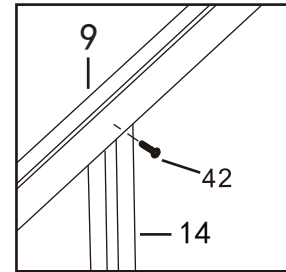
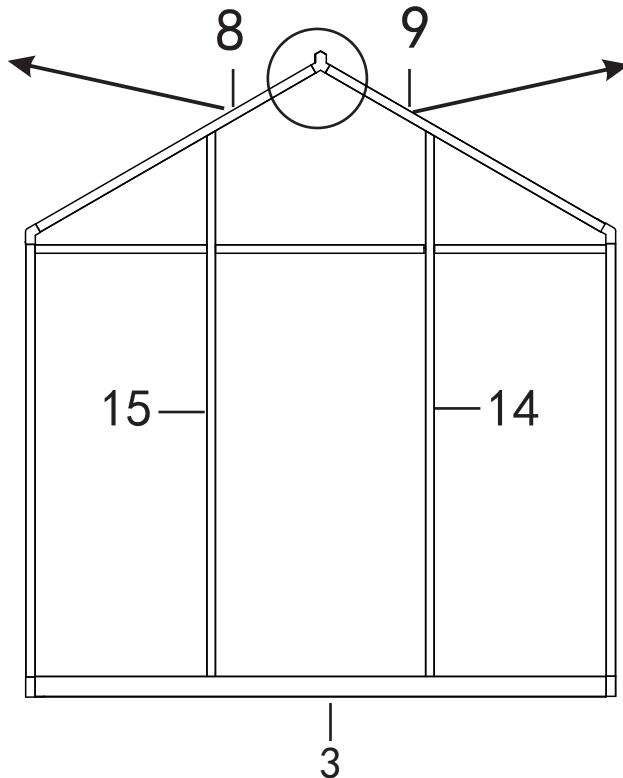
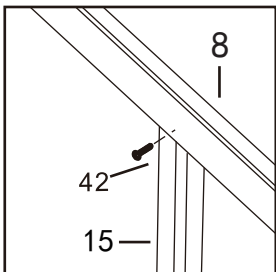
Picture	NO.	Qty.
	D	1
	F	1
	E	2
	22	1
	42	2

Step3-6: Back Wall's Plastic Parts and Gable Frame Assembly






Picture	NO.	Qty.
	8	1
	9	1
	34	1
	33A	1
	33B	1
	42	6

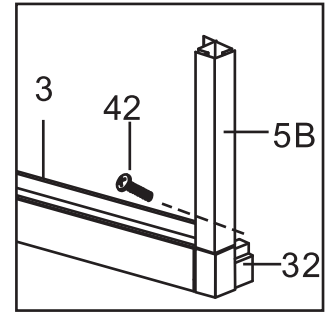
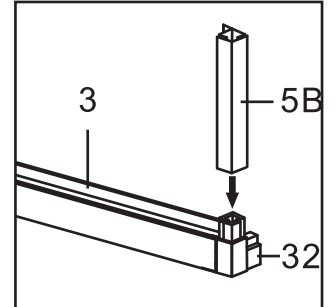
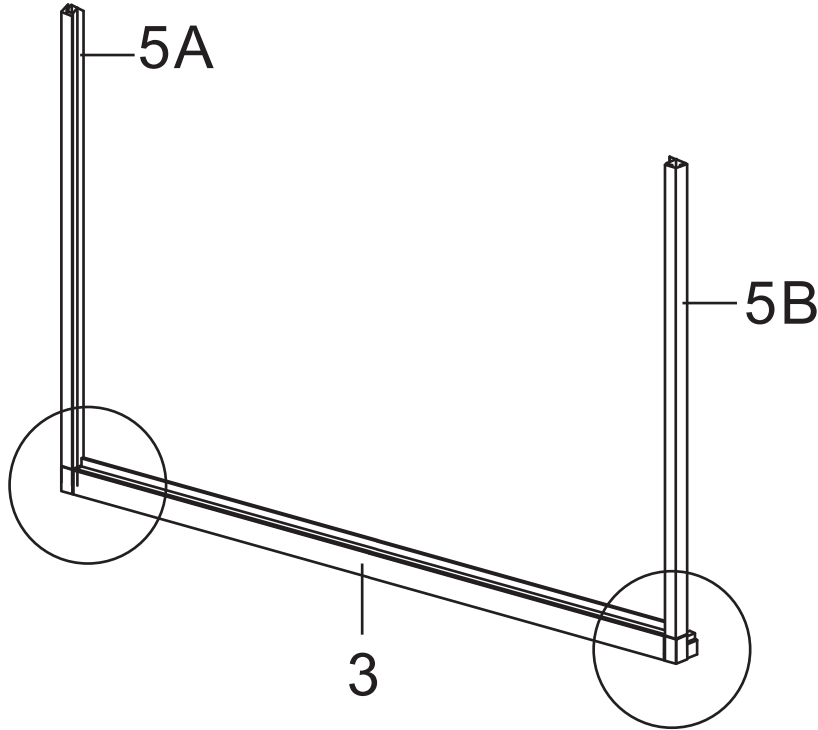
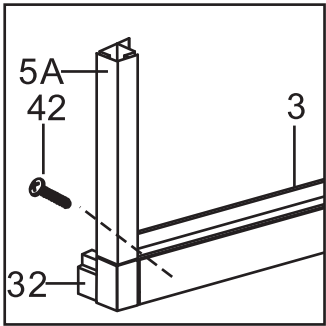
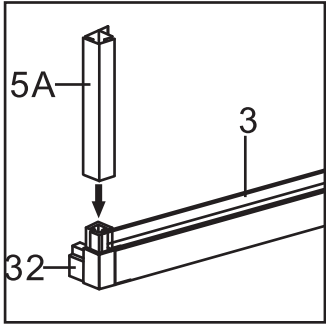
Step3-7: Back Wall's Plastic Parts and Gable Frame Assembly






Picture	NO.	Qty.
	42	2

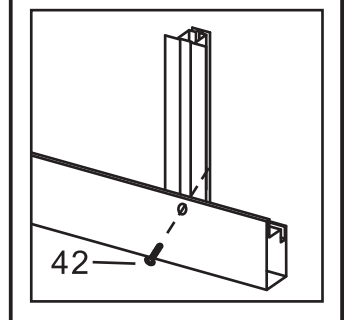
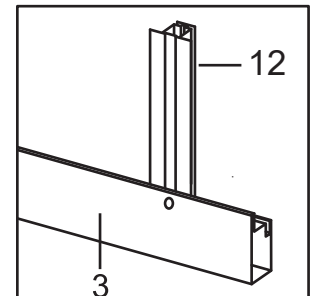
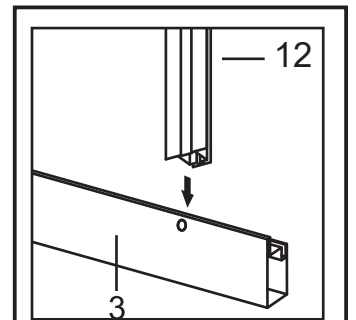
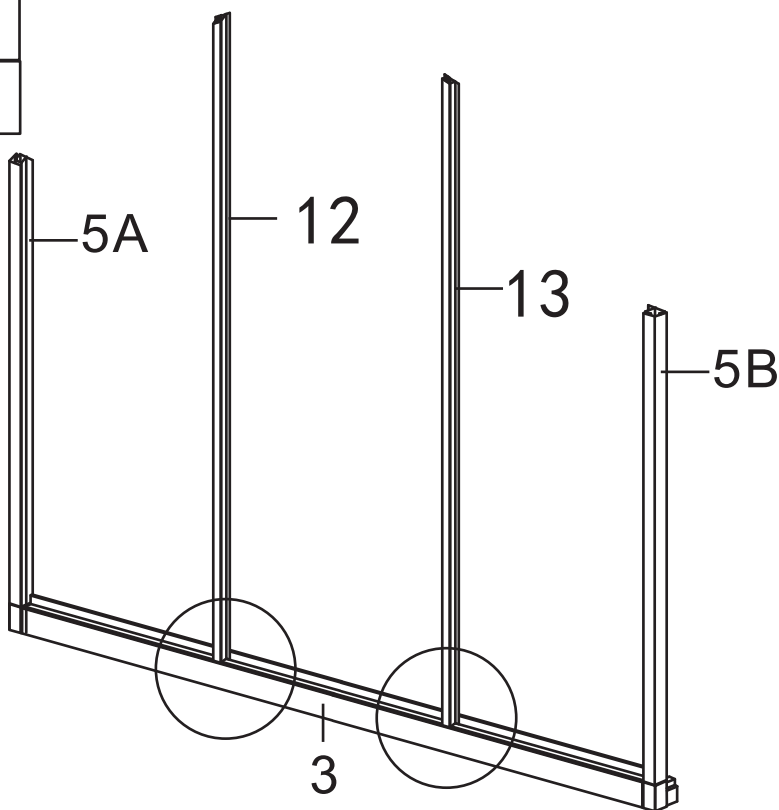
Step4-1: Front Wall Frame Assembly

Picture	NO.	Qty.
	5A	1
	5B	1
	42	2

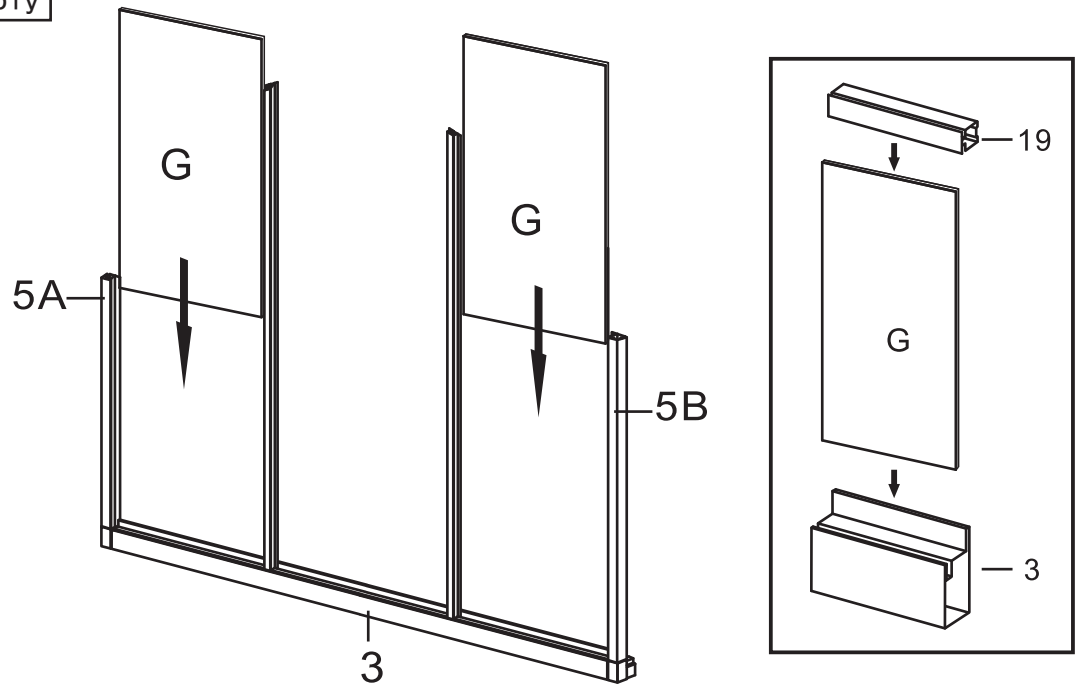




Step4-2: Front Wall Frame Assembly

Picture	NO.	Qty.
	12	1
	13	1
	42	2

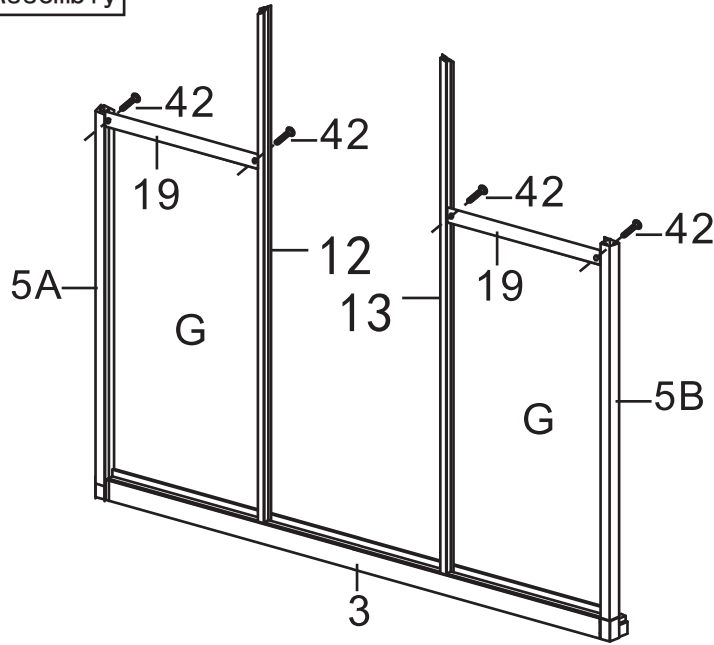
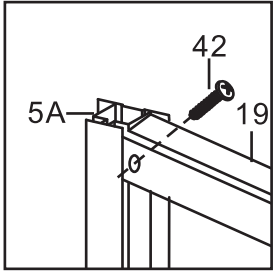



Step4-3: Front Wall Assembly



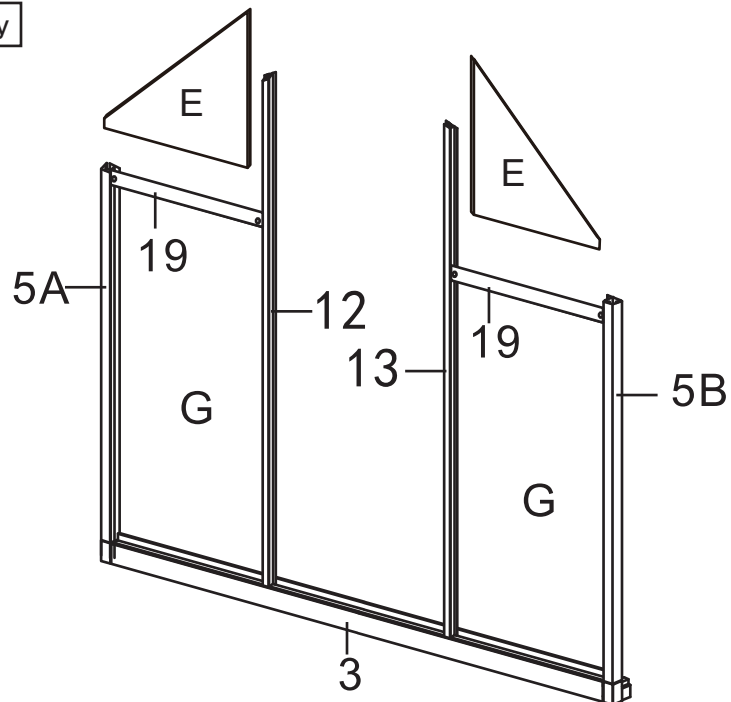
Picture	NO.	Qty.
	G	2
	19	2


Step4-4: Front Wall Frame Assembly



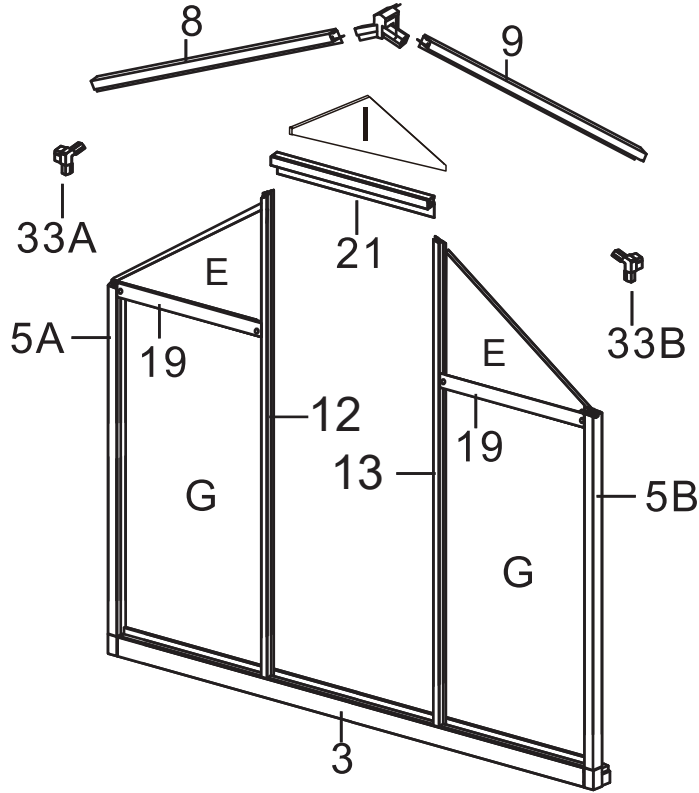
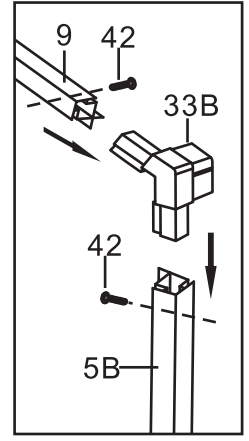
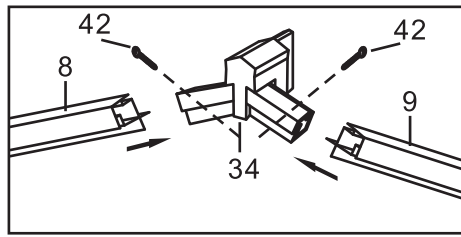
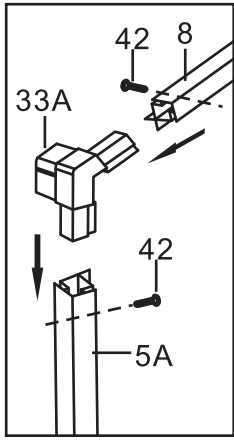
Picture	NO.	Qty.
	42	4

Step4-5: Front Wall Assembly



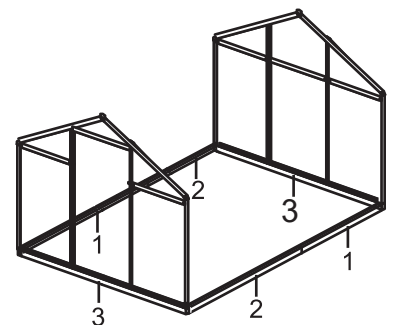
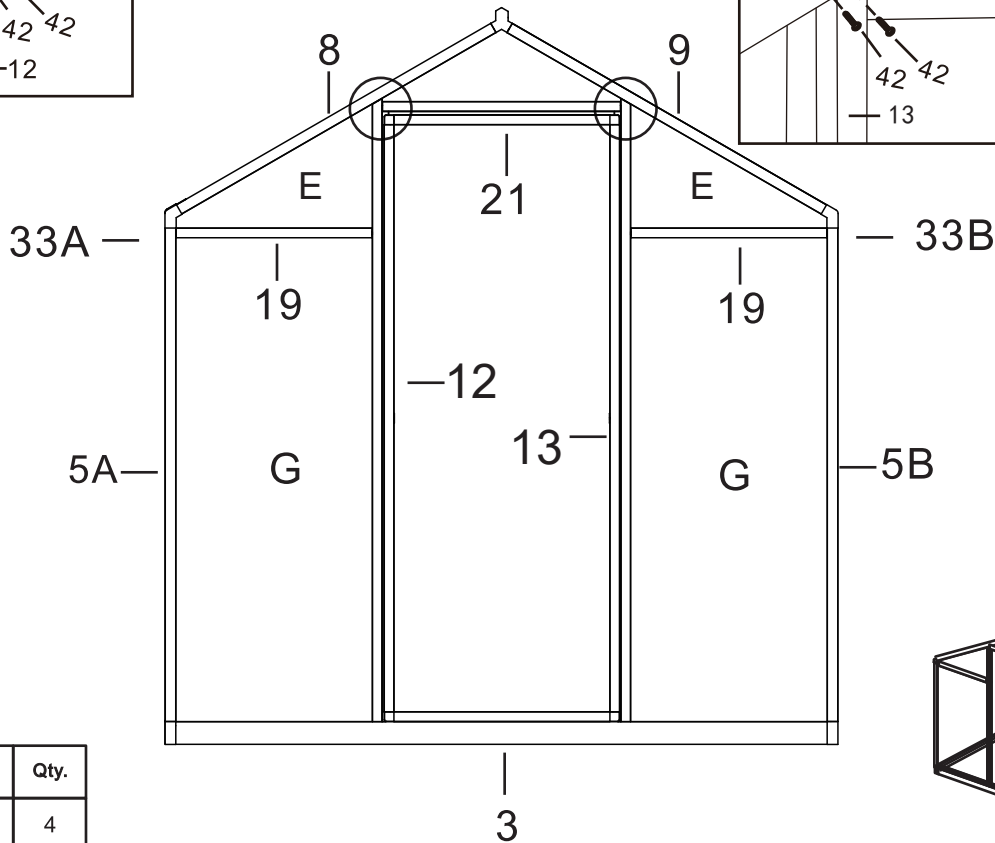
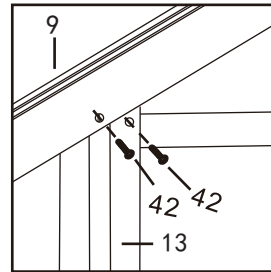
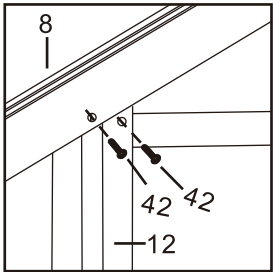
Picture	NO.	Qty.
	E	2

Step4-6: Front Wall's Plastic Parts and Gable Frame Assembly



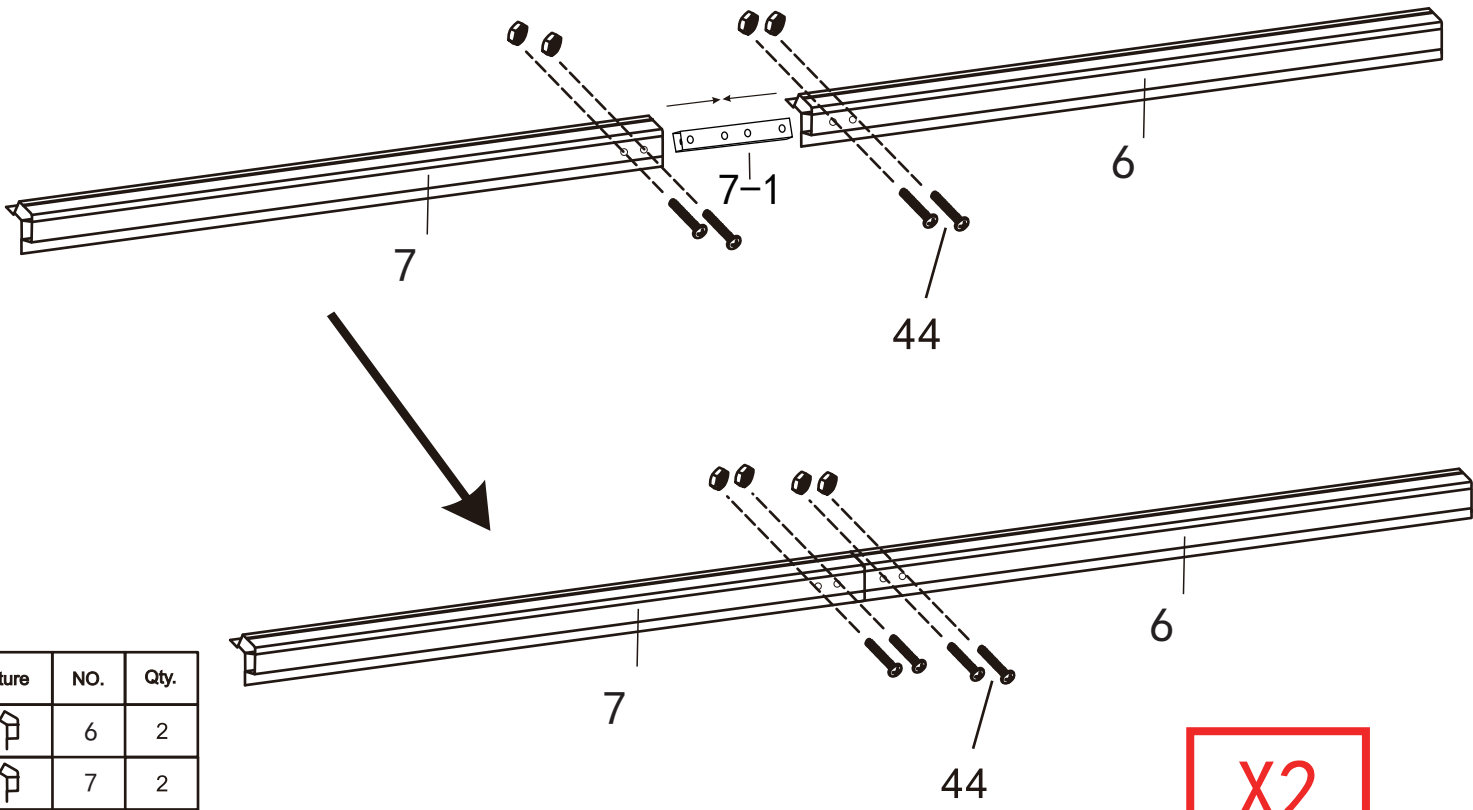
Picture	NO.	Qty.
	8	1
	9	1
	21	1
	33A	1
	33B	1
	34	1
	42	6
	I	1

Step4-7: Front Wall's Plastic Parts and Gable Frame Assembly



Picture	NO.	Qty.
	42	4

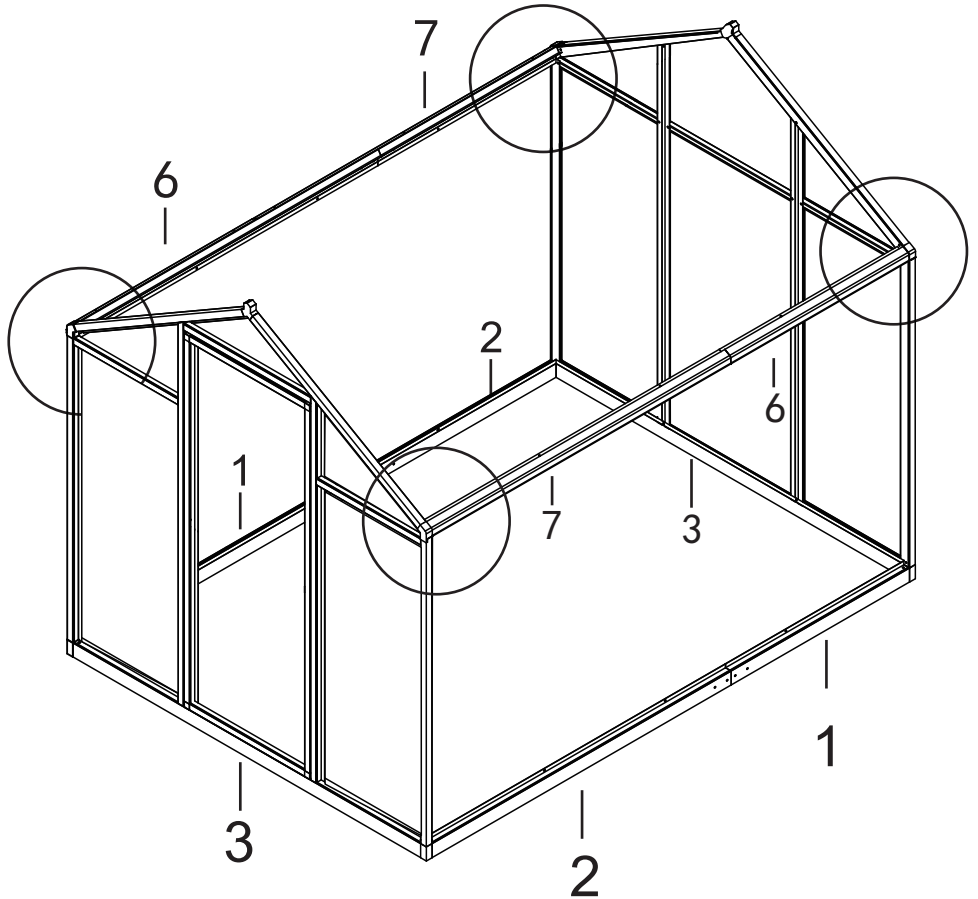
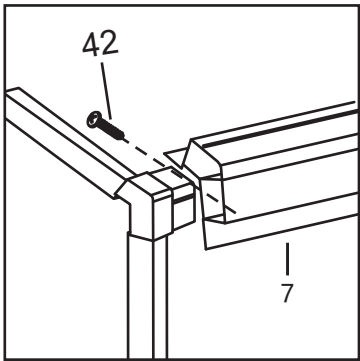
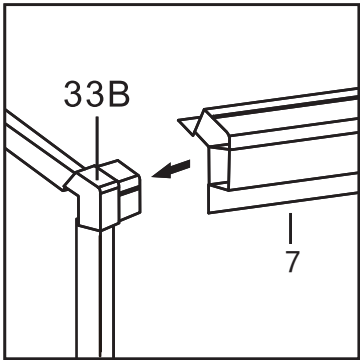
Step5-1: Side Roof Ridge Assembly



Picture	NO.	Qty.
	6	2
	7	2
	7-1	2
	44	8

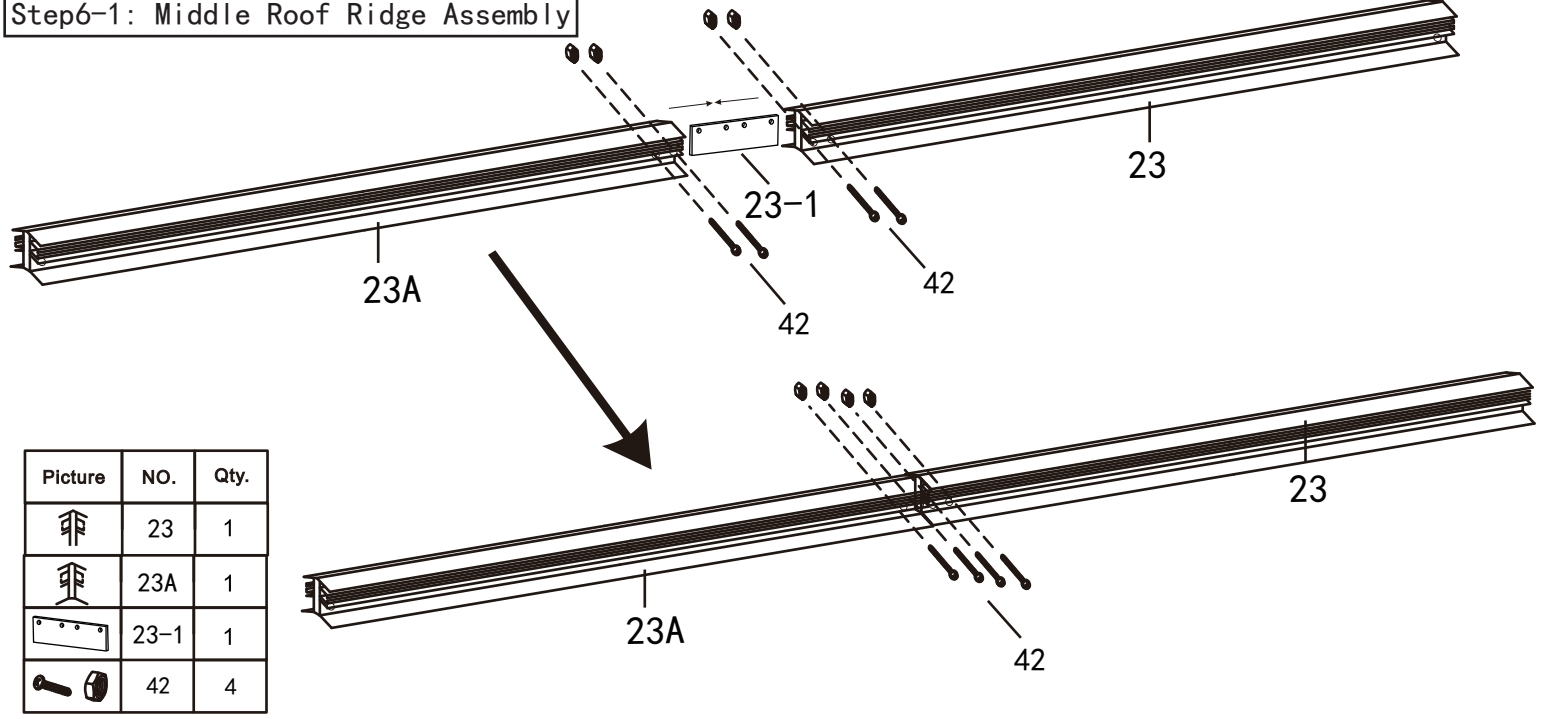
X2

Step5-2: Pre-Assembled Side Roof Ridge Installation



Picture	NO.	Qty.
	42	4

Step6-1: Middle Roof Ridge Assembly

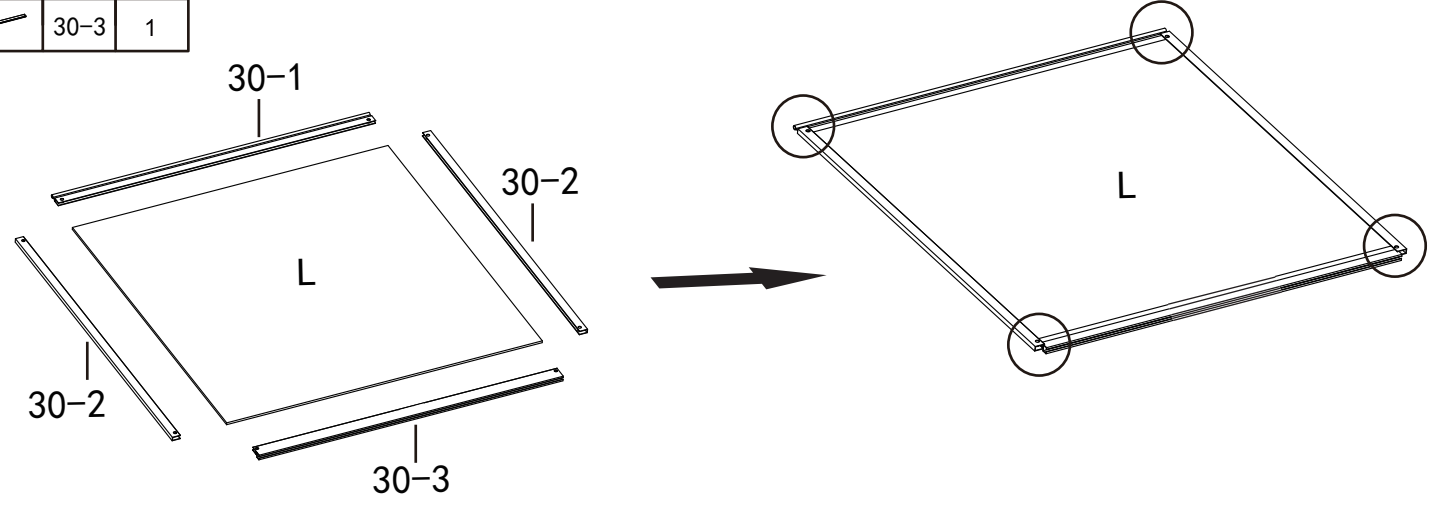


Picture	NO.	Qty.
	23	1
	23A	1
	23-1	1
	42	4

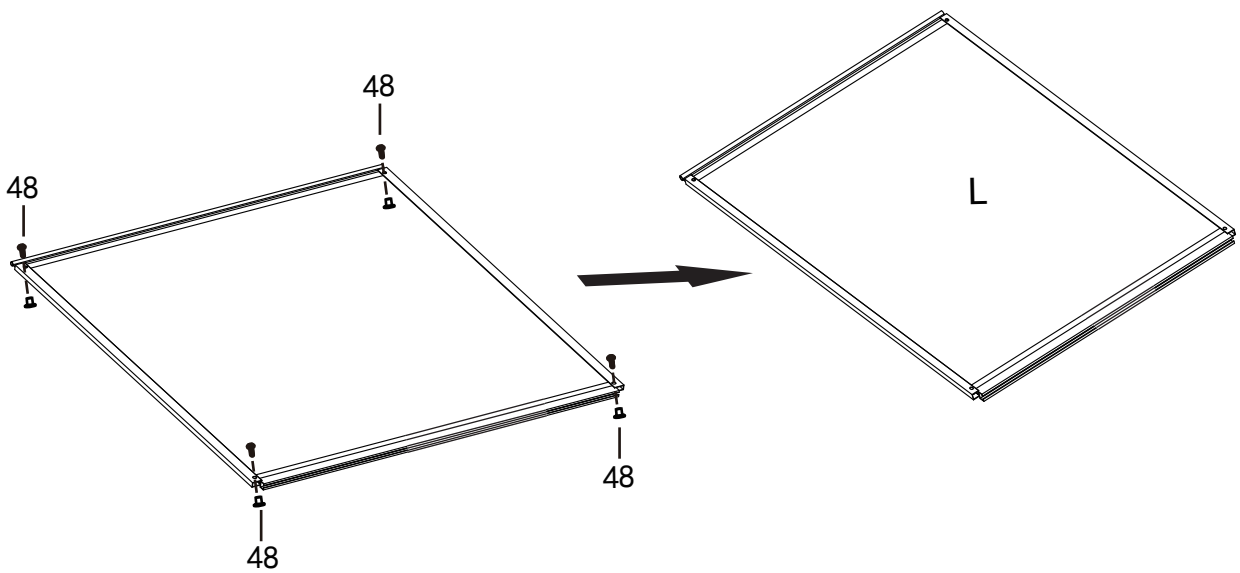
Step6-2: Window assembly

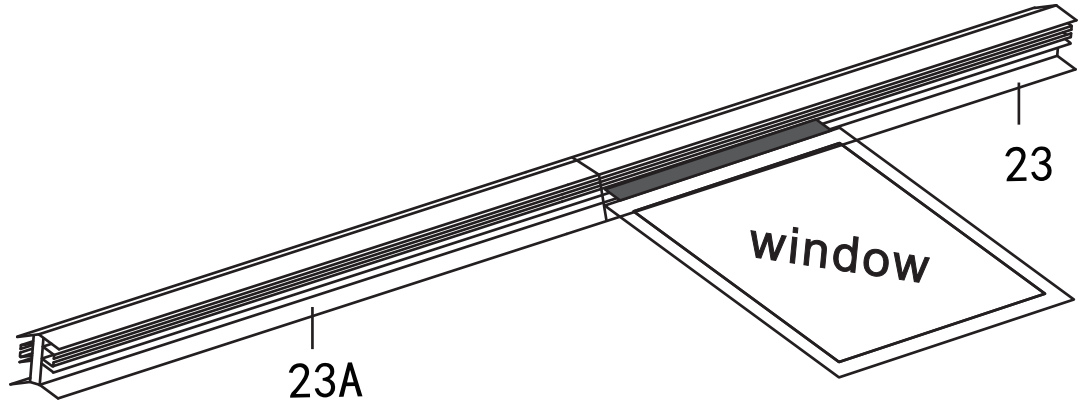
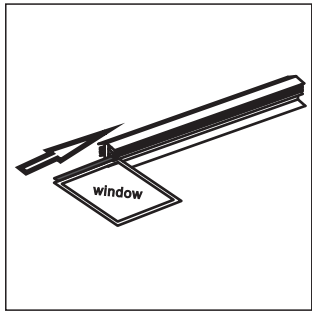
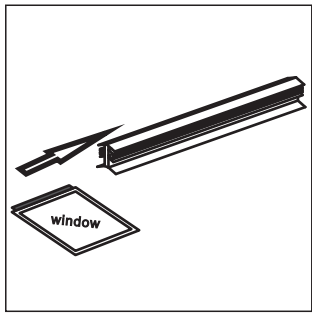
Picture	NO.	Qty.
	30-1	1
	30-2	2
	30-3	1

Drill 4 holes in the L with a suitable drill




Picture	NO.	Qty.
	48	4

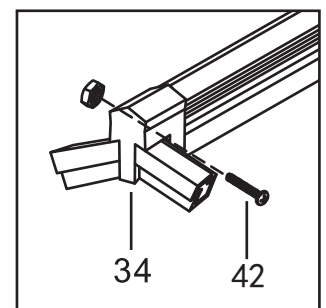
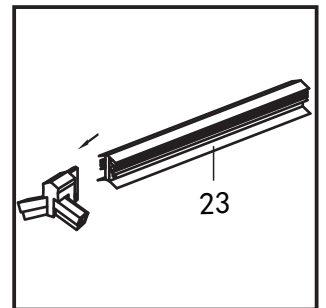
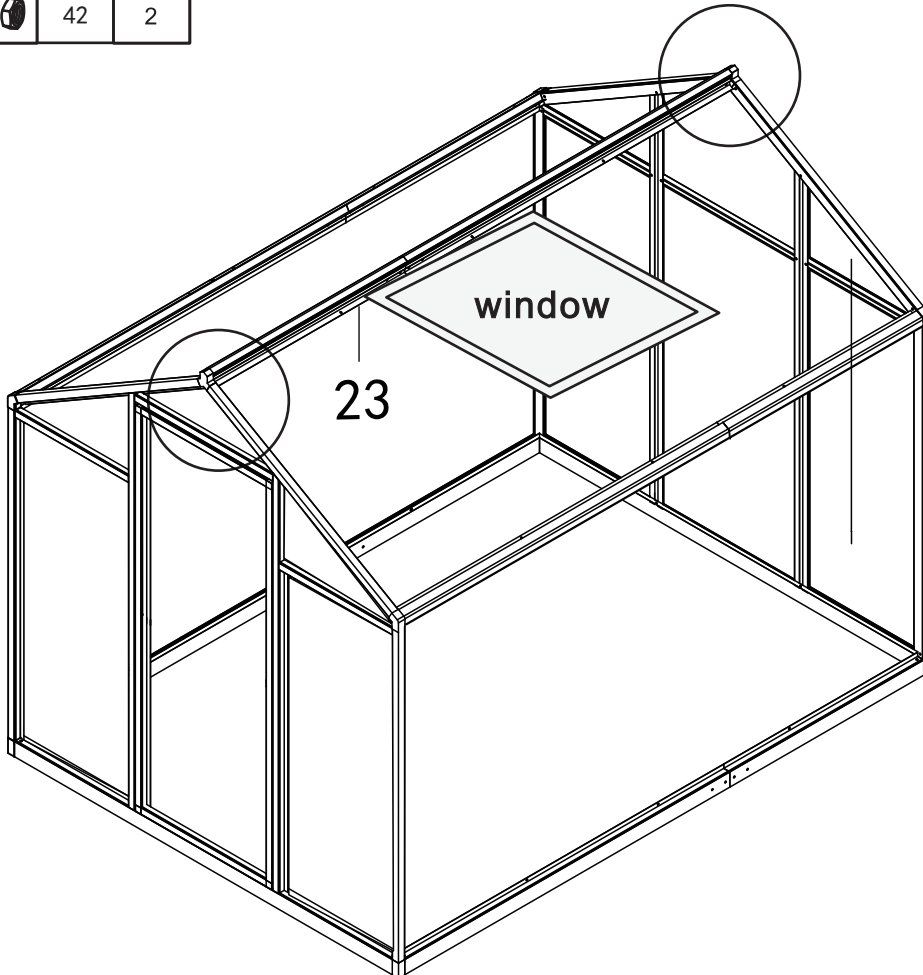




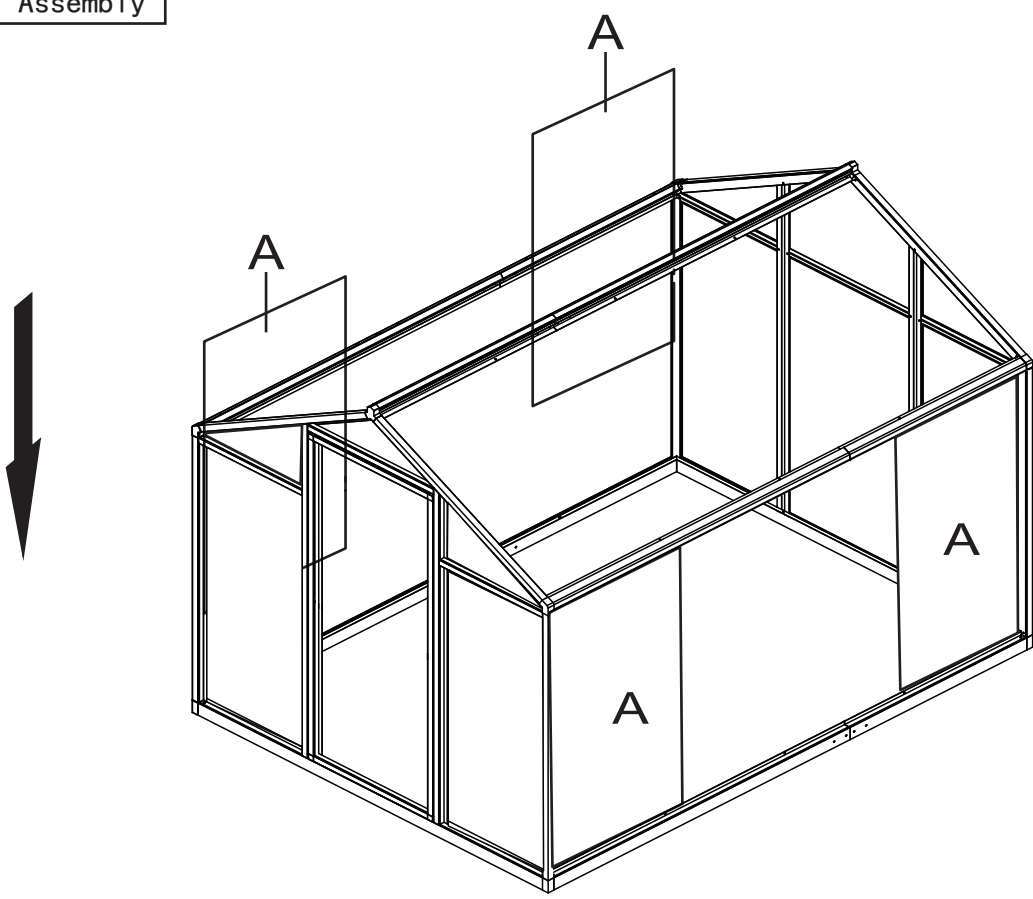
Step6-3: Pre-Assembled Middle Roof Ridge Installation & Window Assembly


Note: Windows must be slid into the Gutter of Frame 23 before assemble Frame 23.

Picture	NO.	Qty.
	42	2



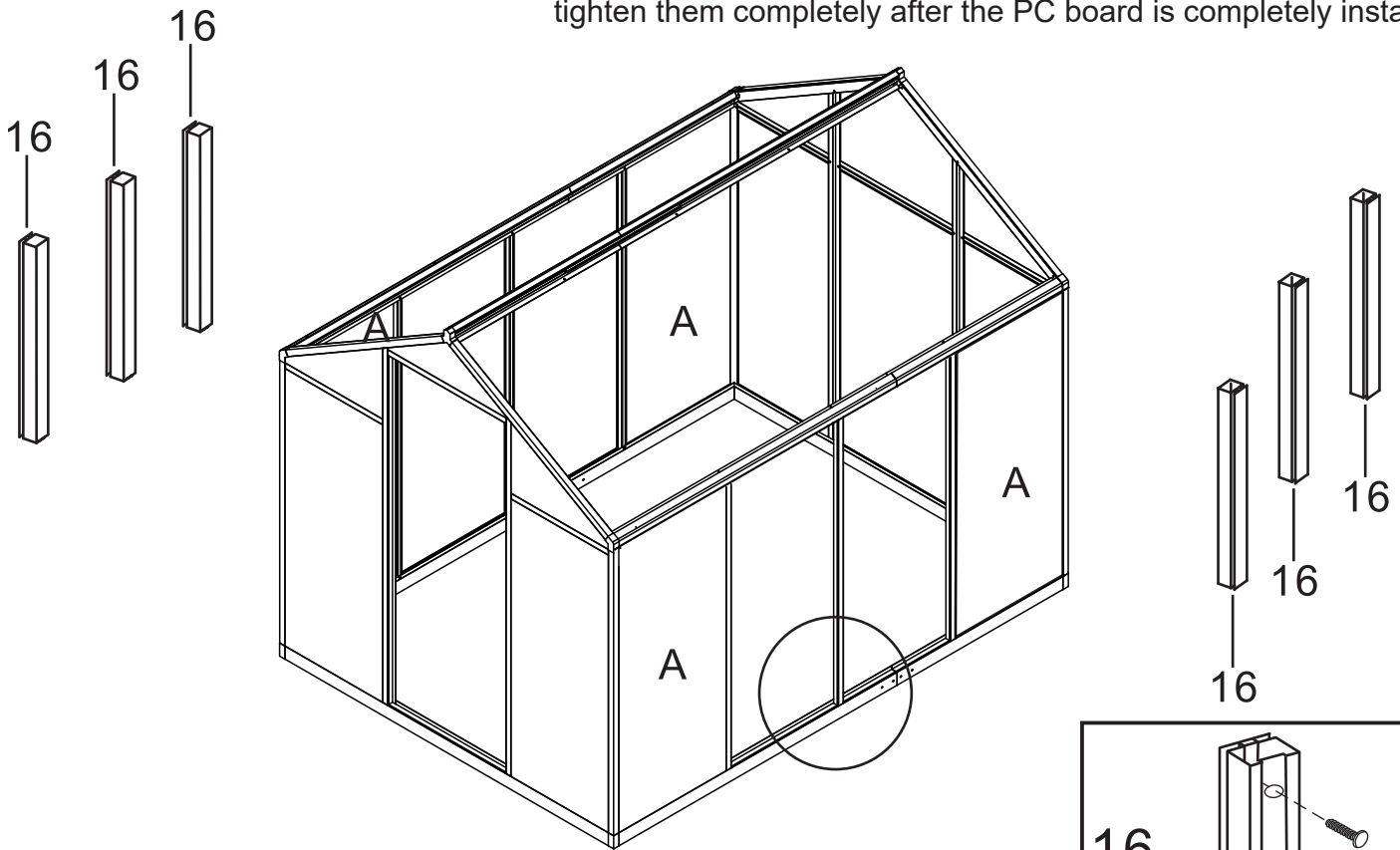
Step7-1: Side Wall Assembly





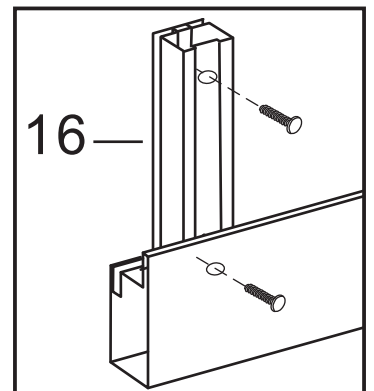
Picture	NO.	Qty.
	A	4

Step7-2: Side Wall Frame Assembly

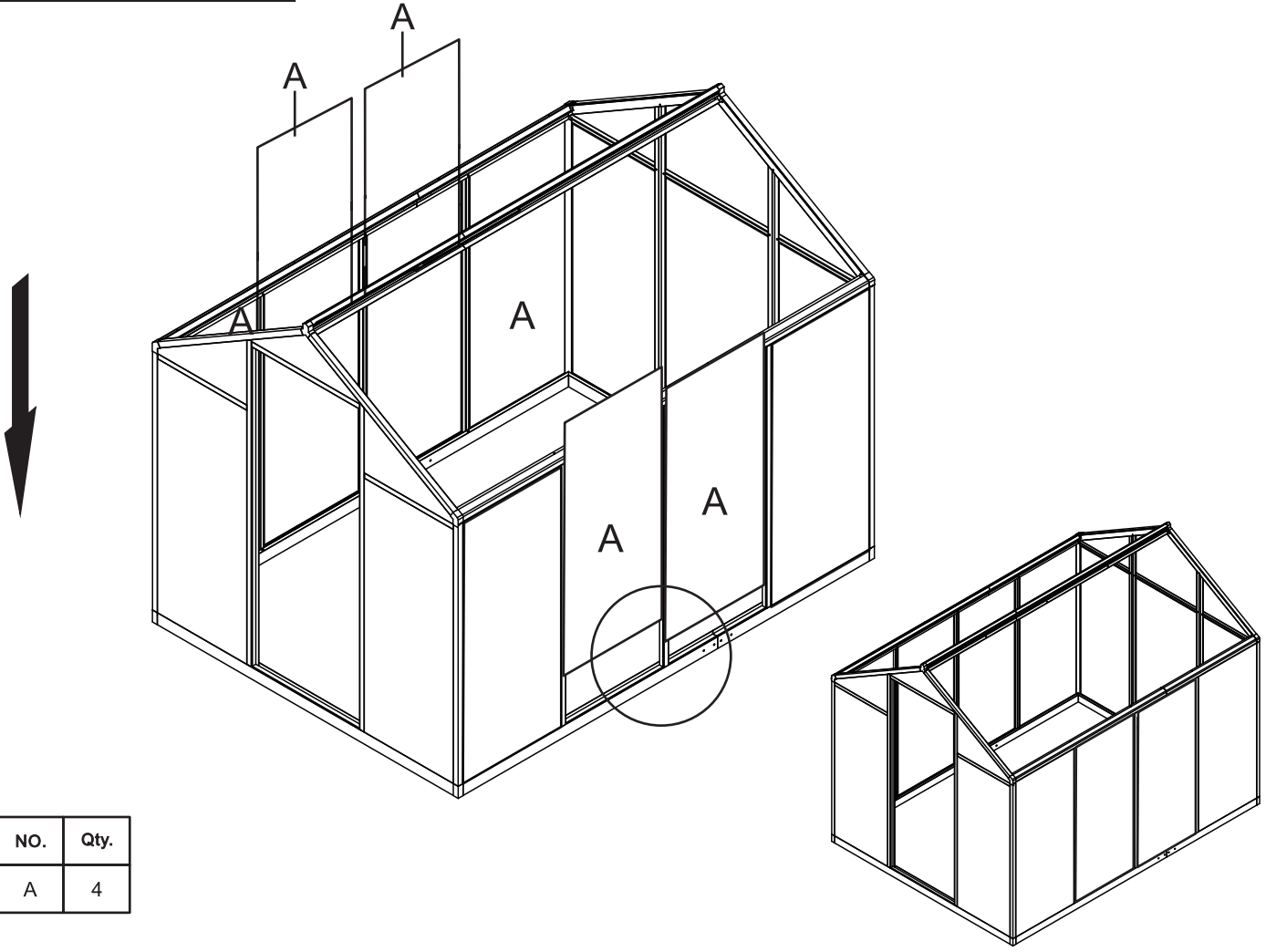
Please do not make the screws completely tight when fixing them, tighten them completely after the PC board is completely installed




Picture	NO.	Qty.
	16	6
	42	12

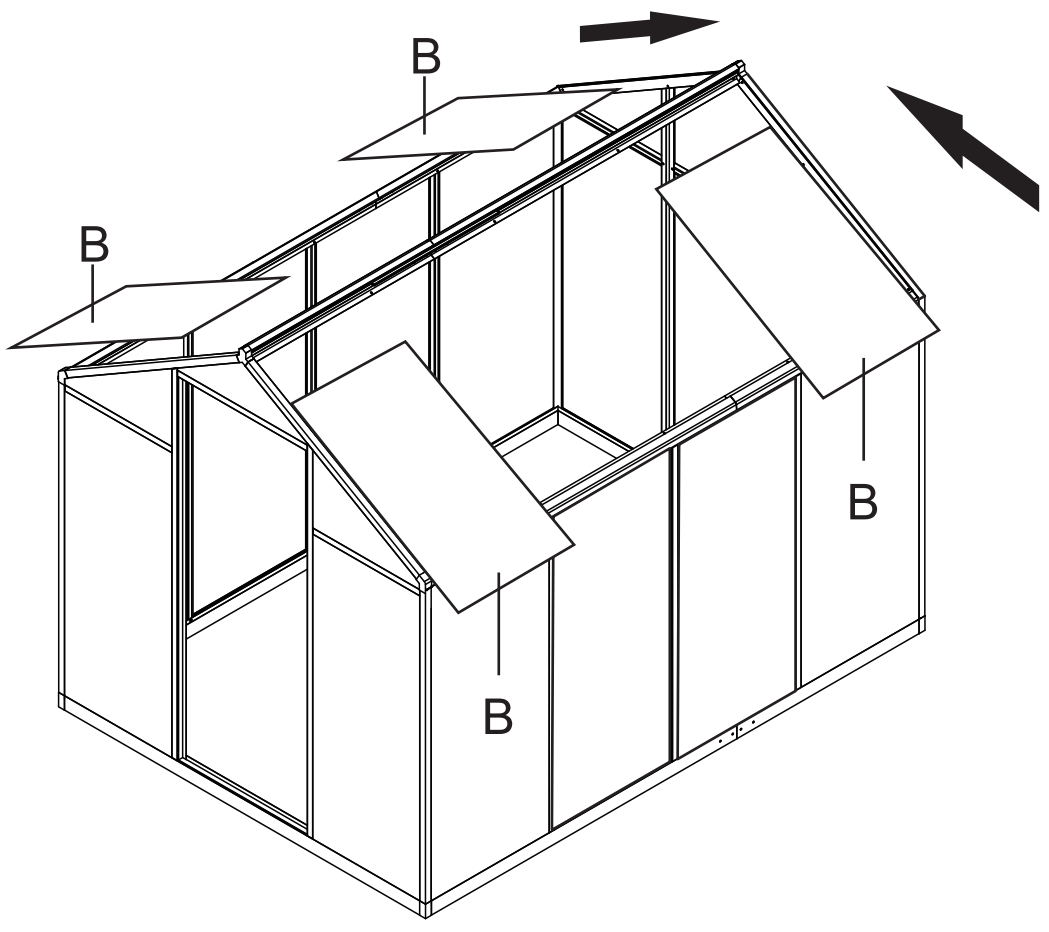



Step7-3: Side Wall Assembly



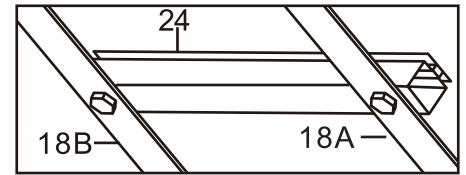
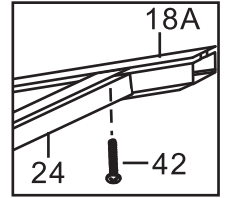
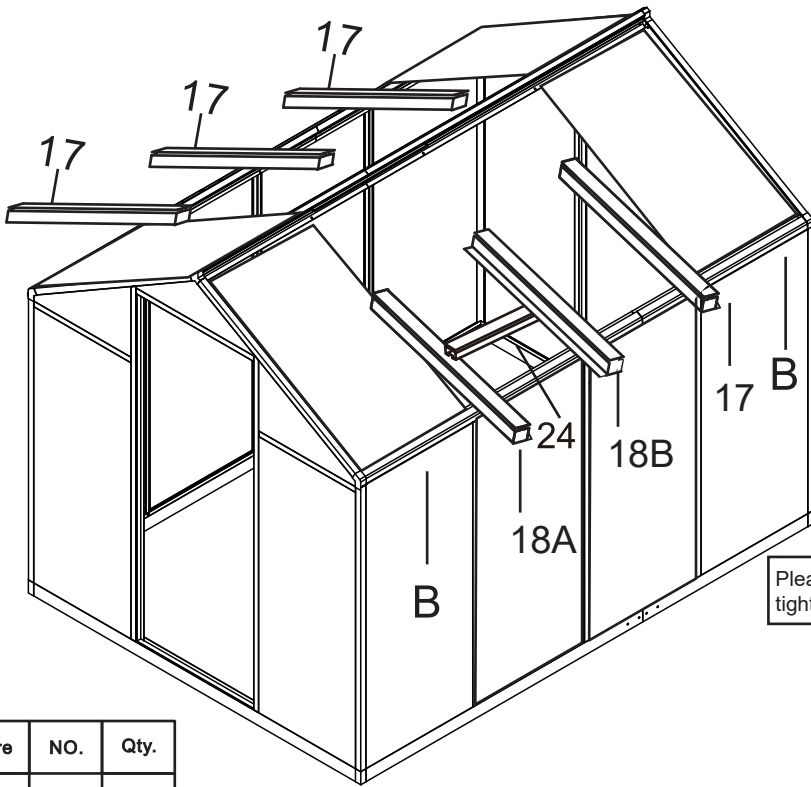
Picture	NO.	Qty.
	A	4

Step8-1: Roof Wall Assembly

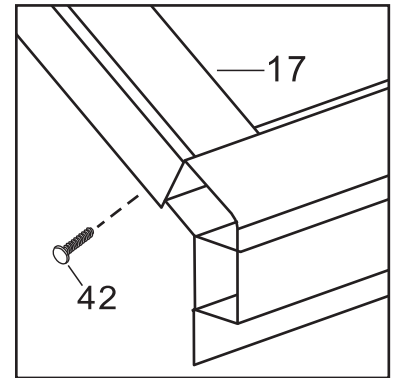


Picture	NO.	Qty.
	B	4

Step8-2: Roof Wall Frame Assembly

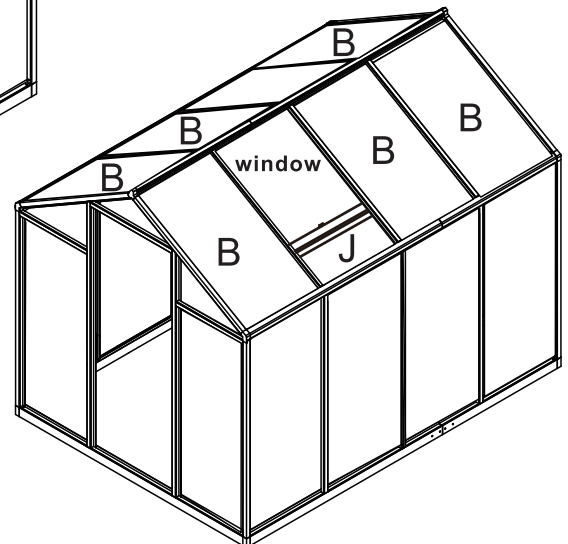
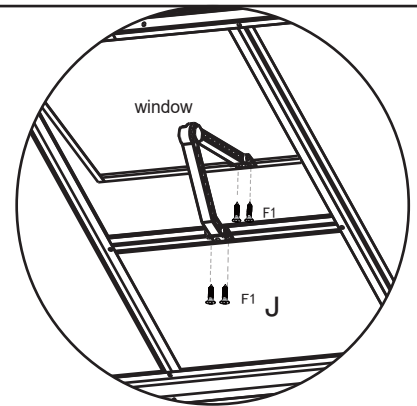
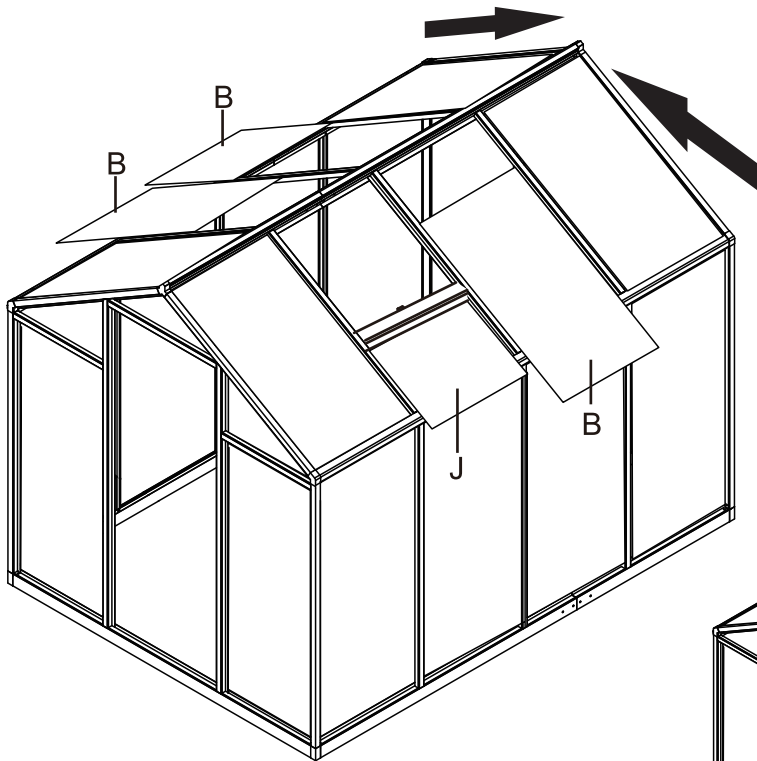


Please do not make the screws completely tight when fixing them, tighten them completely after the PC board is completely installed



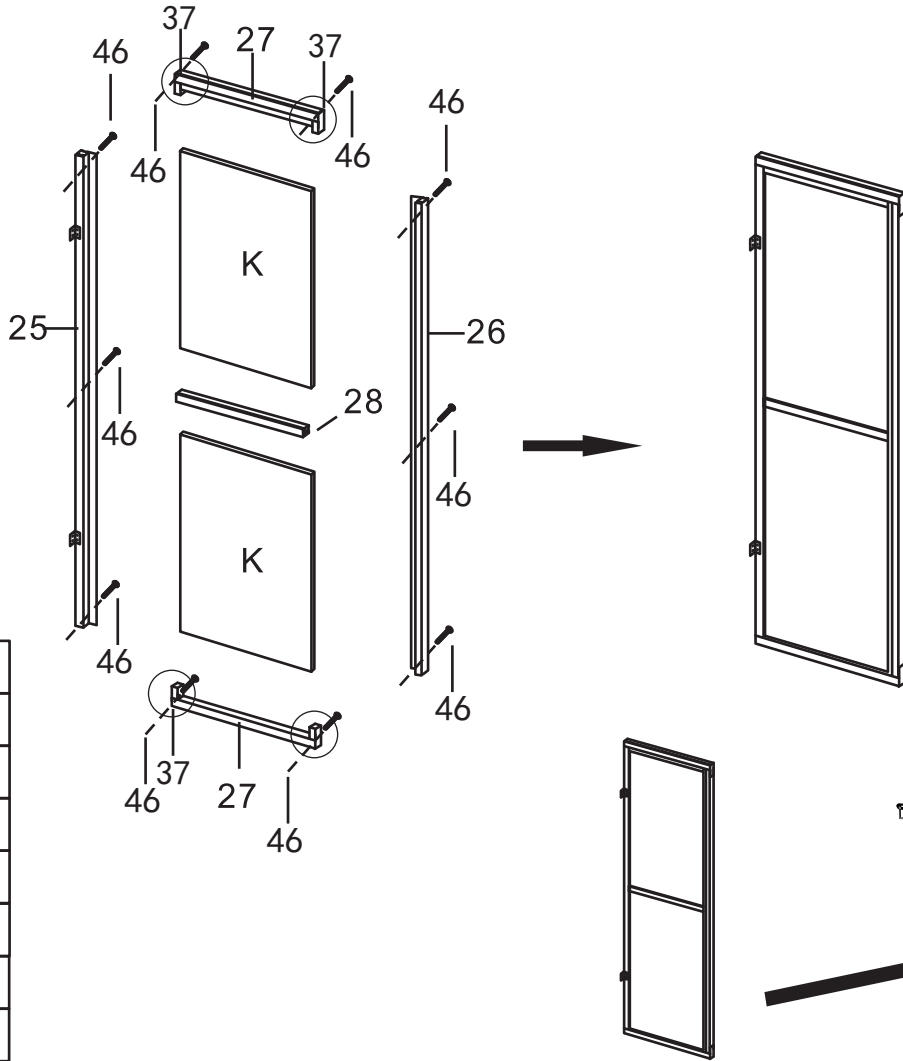
Picture	NO.	Qty.
	17	4
	18A	1
	18B	1
	24	1
	42	14

Step8-3: Roof Wall Assembly



Picture	NO.	Qty.
	B	3
	J	1
	F1	4

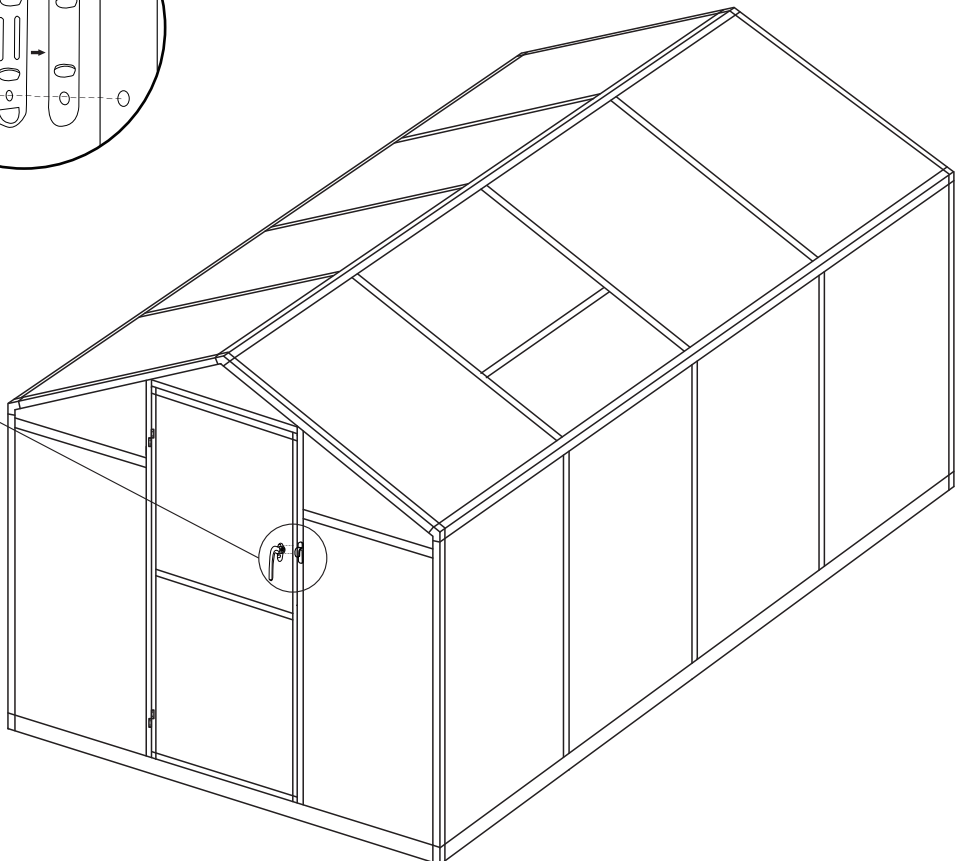
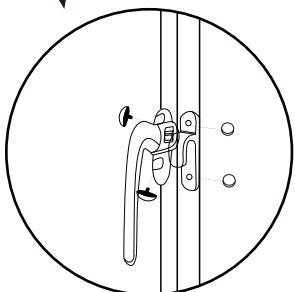
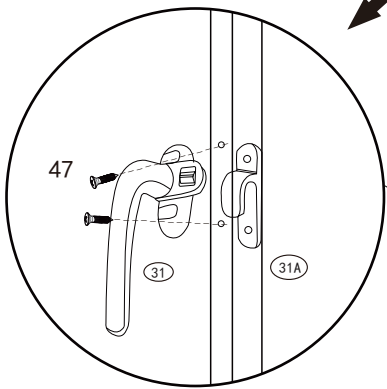
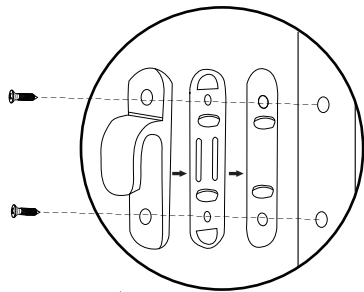
Step9: Door Assembly



Picture	NO.	Qty.
	25	1
	26	1
	27	2
	28	1
	K	2
	37	4
	46	10

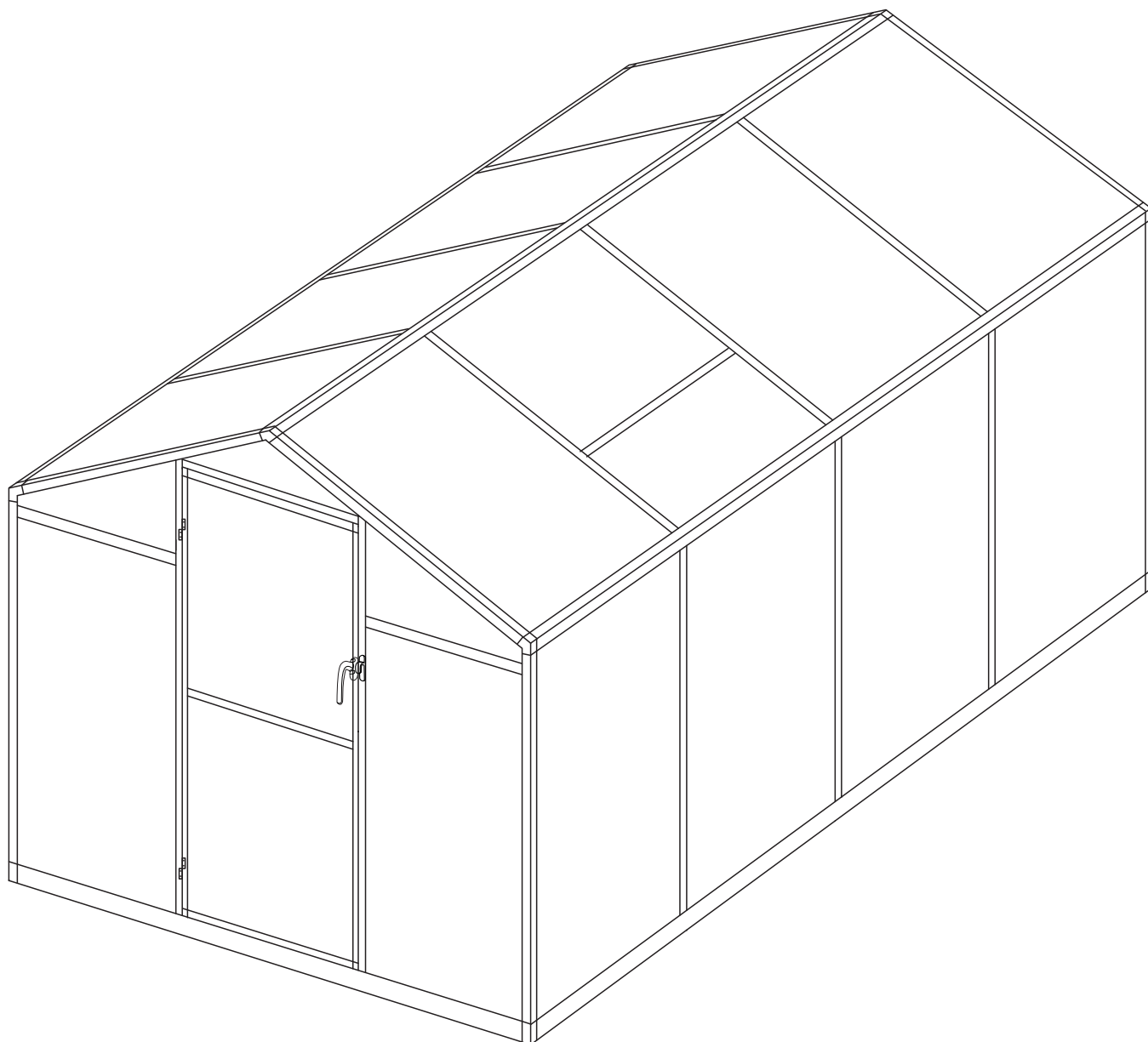
Step10: Door Assembly

Picture	NO.	Qty.
	31	1
	31A	1
	47	4



Note: The door handles(31and31A) are supposed to be secured with self-tapping screws(47) (no drilling required).

Check and tighten all screws to ensure that the greenhouse is sturdy.



VEIKOUS

For better shopping experience

Please visit our website



WWW.VEIKOUS.COM

