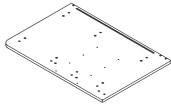
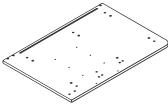
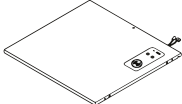
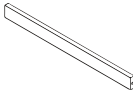
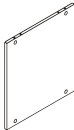

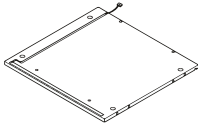
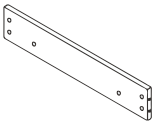


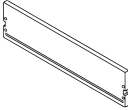
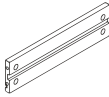
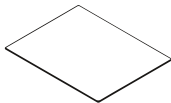
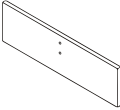
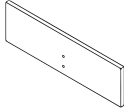





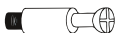
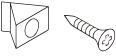

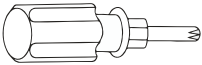
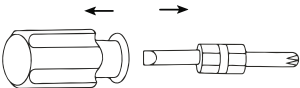
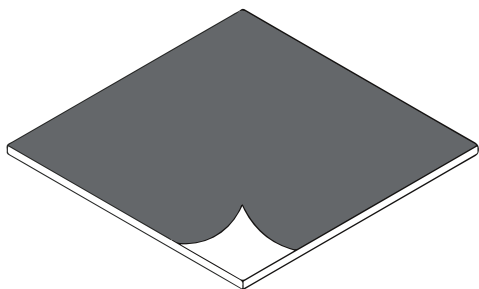


01 / Total Parts List

		
AX1	A2X1	BX1
		
CX1	DX1	EX1
		
FX1	GX2	HX1
		
H2X1	IX2	JX4
		
KX2	LX1	L2X1

02 / Total Hardware List

①		47 Pcs	②		47 Pcs
Two in one screw (6x28mm)			Two in one nut (10x12mm)		
③		12 Pcs	④		2 Pcs
Wood chipping (6X30mm)			Handle & screw (4X16mm)		
⑤		4 Pcs	⑥		4 Pcs
Drawer slides & screw (4X16mm)			Iron pin screw (6. 7x35mm)		
⑦		4 Pcs			1 Pcs
Back plate buckle & screw (3x16mm)			AC/DC Adapter (12V=3.0A)		
<div style="display: flex; justify-content: space-around; align-items: center;"> <div style="text-align: center;">  <p>1 Pcs</p> </div> <div style="text-align: center;">  <p>Double-head screwdriver, use as required</p> </div> </div>					



The plates used in this product are bright plates,
With a transparent protective film

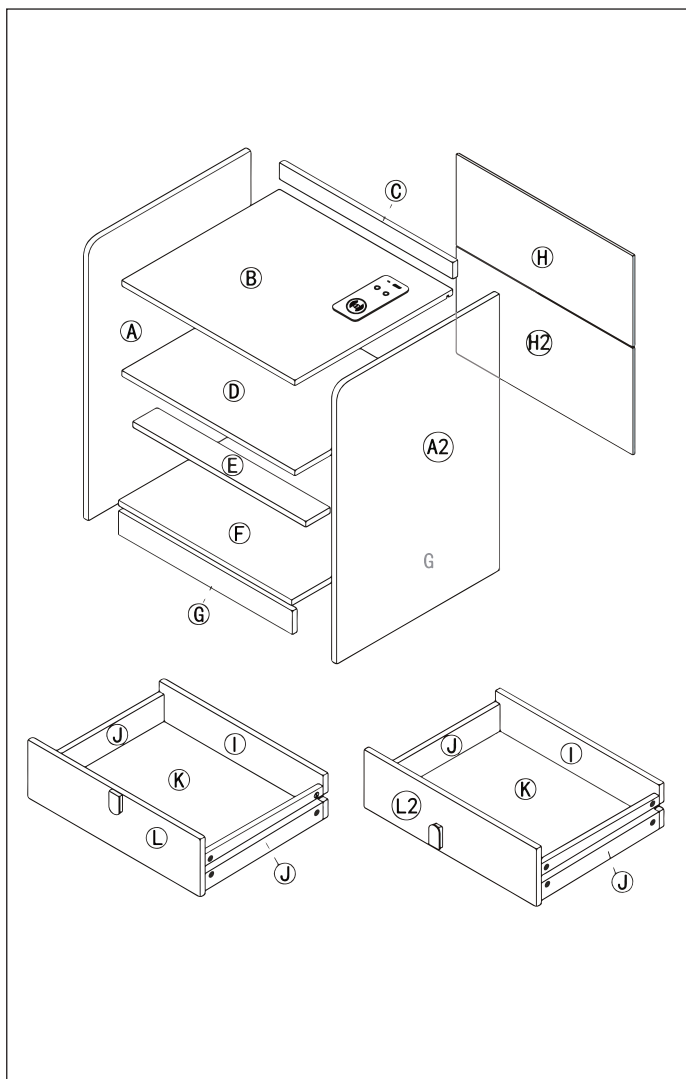
The function of the protective film is prevent the
product from being scratched during transportation

Please remove the protective film before installing
the product,

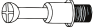



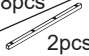
Avoid difficult removal of the protective film after
installation

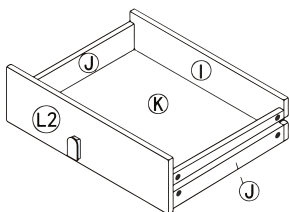
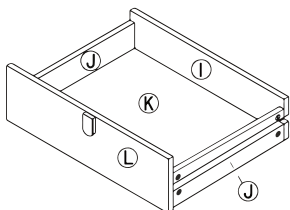
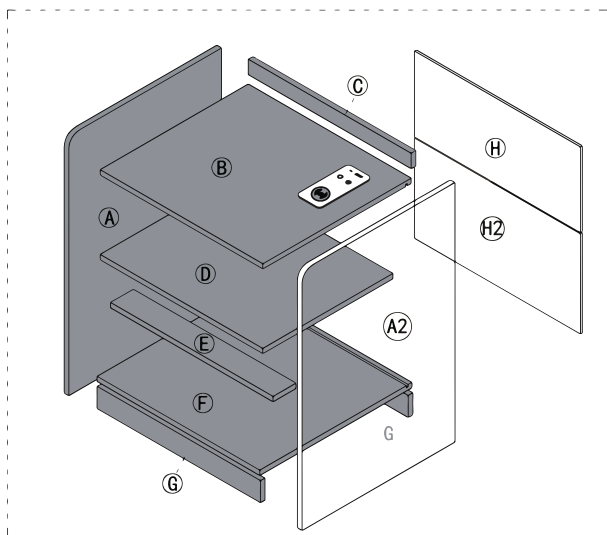


04 / Product structure



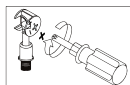
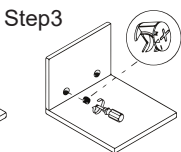
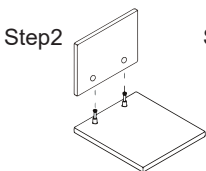
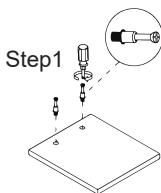
05 / Assembly Part 1

①  18pcs	②  18pcs
③  6pcs	⑤  8pcs  2pcs

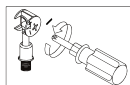


/ Installation steps

Use parts ① and ②

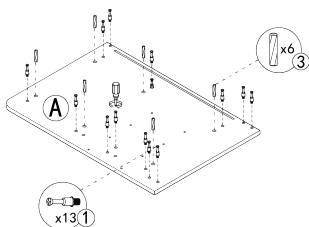


Clockwise



Anti-clockwise

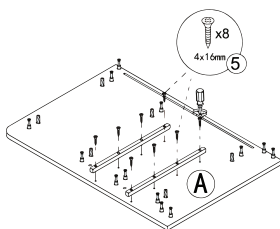
Step 1



①  x13

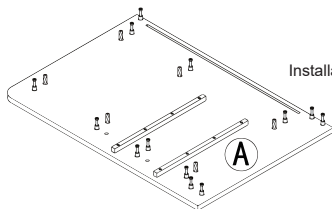
③  x6

Step 2



⑤  x8

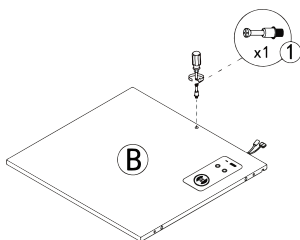
 x2




Installation completion drawing

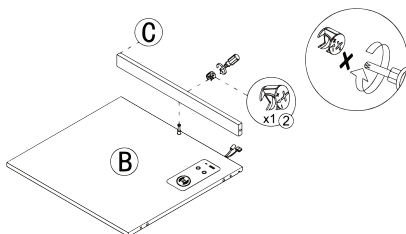
/ Installation steps

Step 3



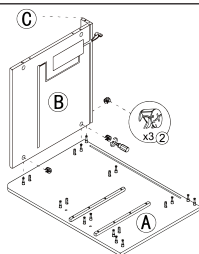
①  x1

Step 4



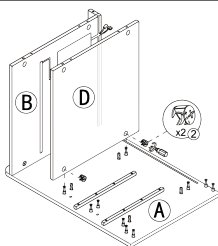
②  x1

Step 5



②  x3

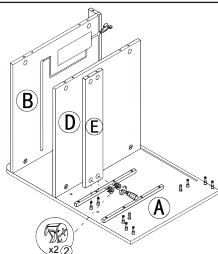
Step 6



②  x2

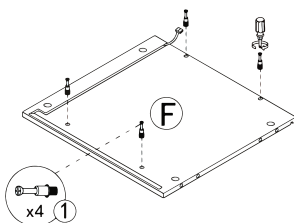
/ Installation steps

Step 7



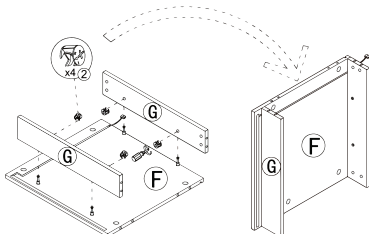
②  x2

Step 8



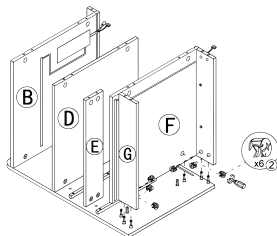
①  x4

Step 9



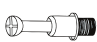




②  x4

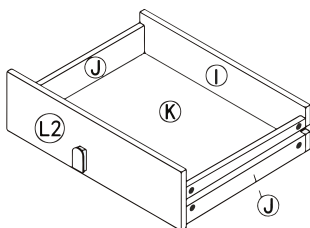
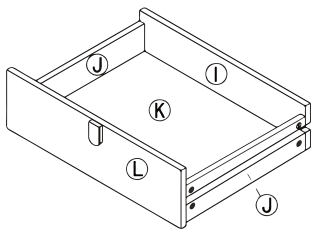
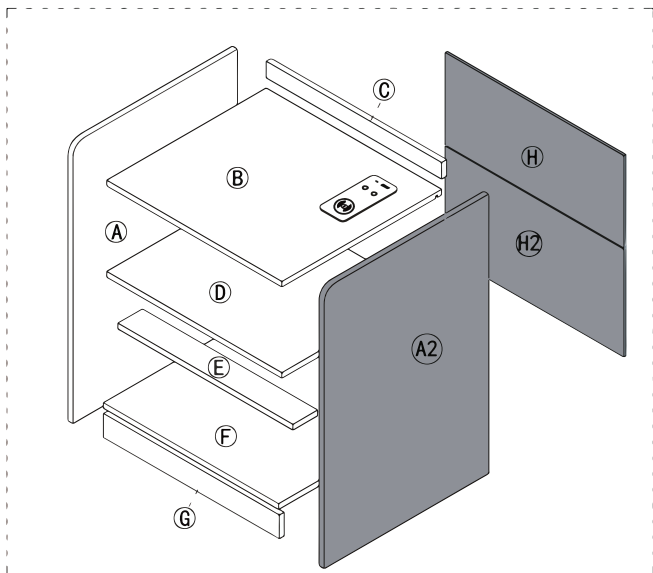
Step 10



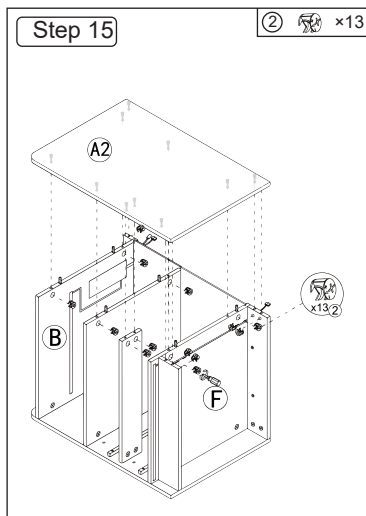
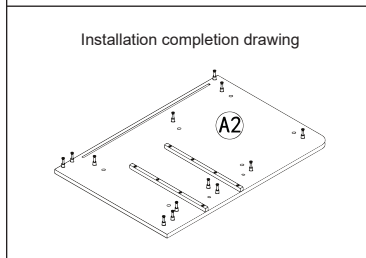
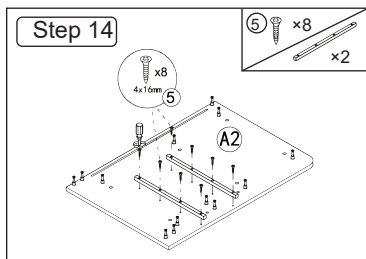
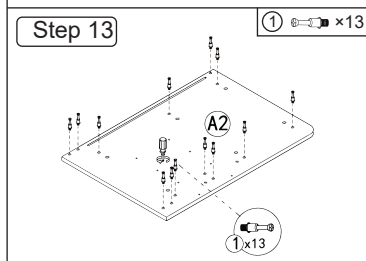
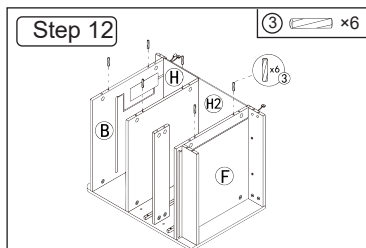
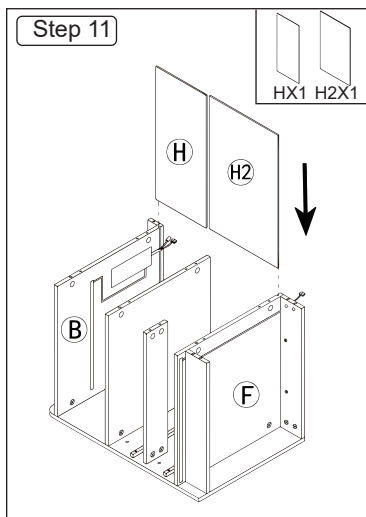
②  x6

06 / Assembly Part 2

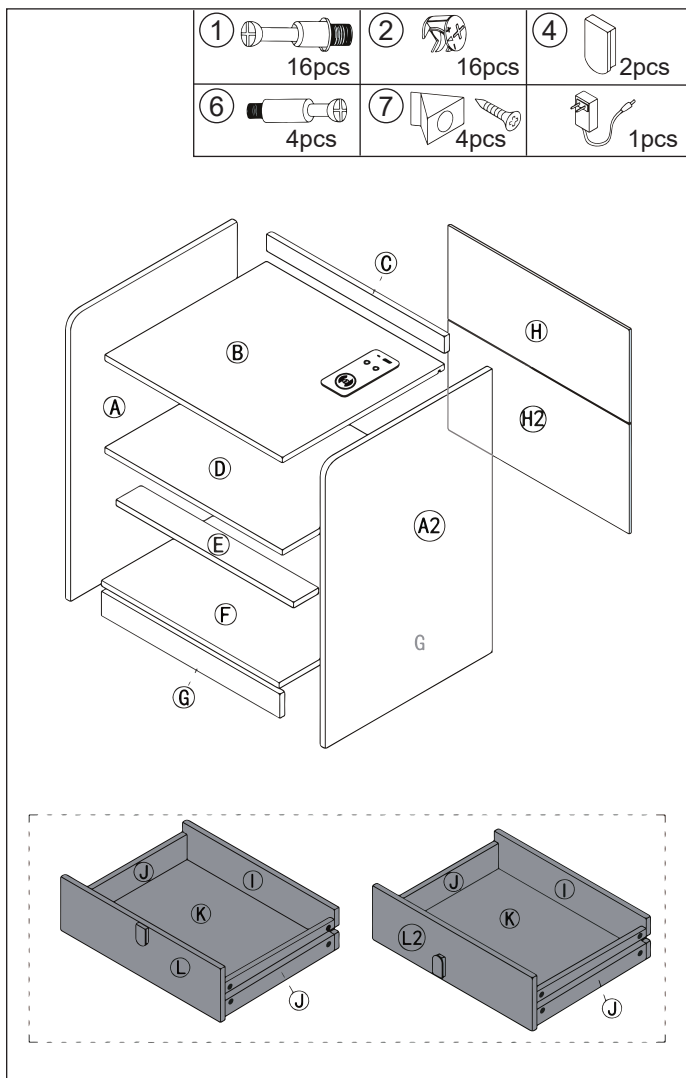
①  13pcs	②  13pcs
③  6pcs	⑤  8pcs  2pcs



/ Installation steps

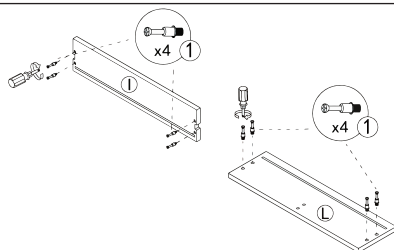



07 / Assembly Part 3: Drawers



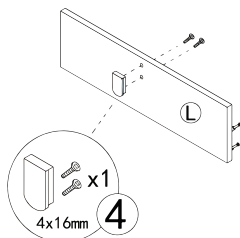
/ Installation steps

Step 16



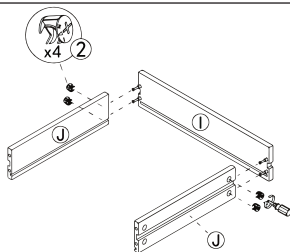
①  x8

Step 17



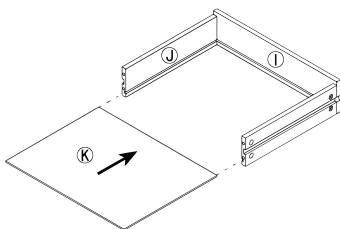
④  x1

Step 18



②  x4

Step 19

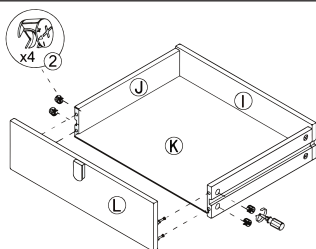


Kx1

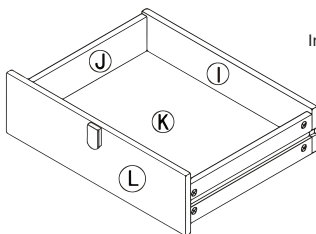
/ Installation steps

Step 20


②  x4

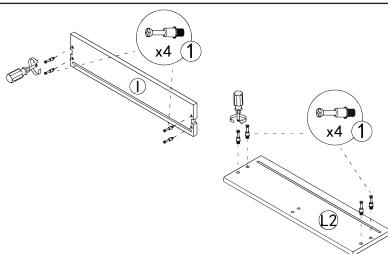


Installation completion drawing



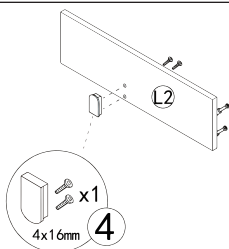
Step 21

①  x8



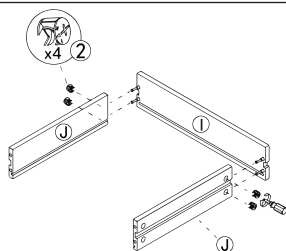
Step 22

④  x1



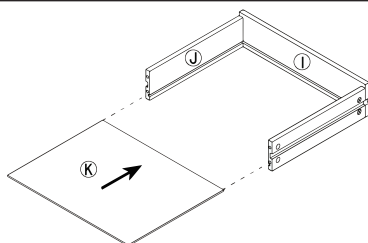
/ Installation steps

Step 23

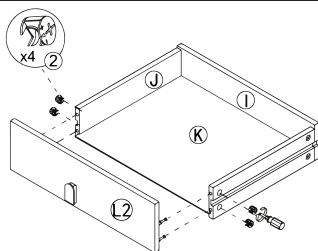


②  x4

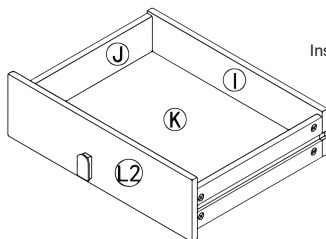
Step 24



Step 25



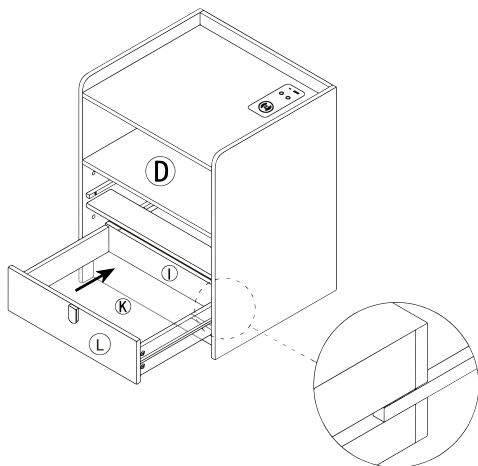
②  x4



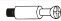
Installation completion drawing

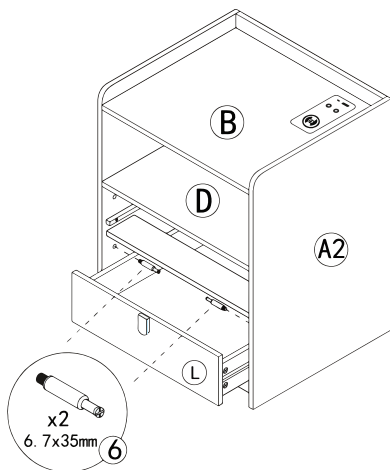
/ Installation steps

Step 26



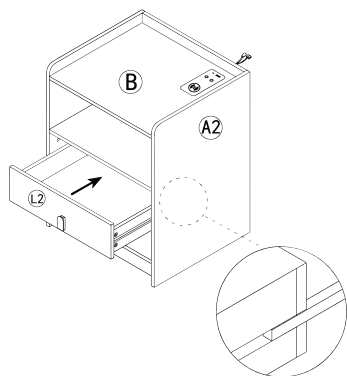
Step 27

⑥  ×2



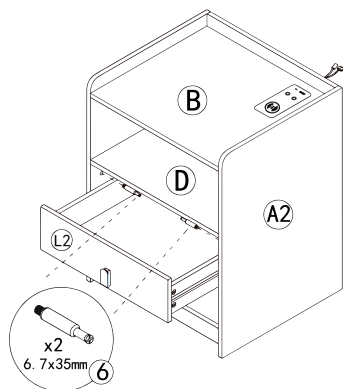
/ Installation steps

Step 28

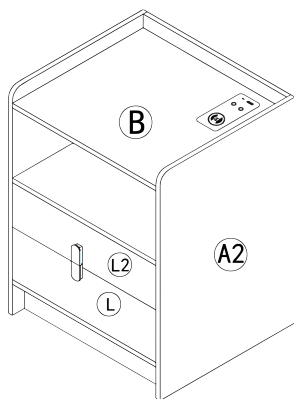


Step 29


⑥  x2

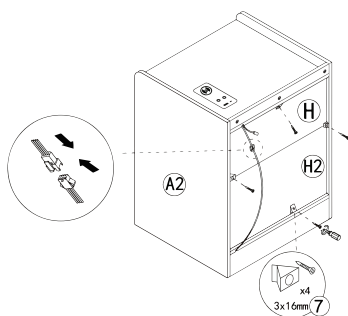


Installation completion drawing



Step 30

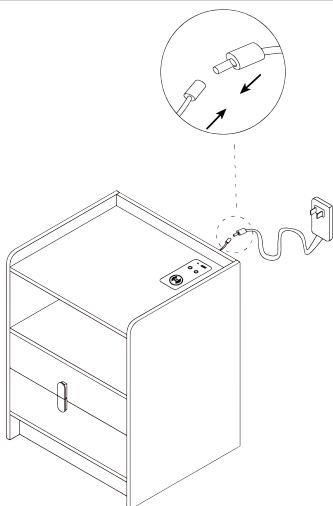
⑦  x4 



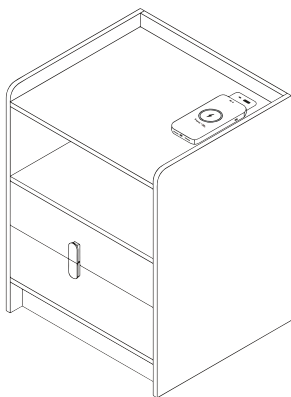
/ Installation steps

Step 31

 x1



It supports wireless charging It can be charged by placing a mobile phone that supports wireless charging.



08 / Operation



User's Guide

Thank you for purchasing this product.

To use this product, please plug it into a 12VDC power supply.

Please use if the product works normally after connecting to power.

Introduction

The box is an intelligent controller. It has 2 USB output ports and can distribute the current output up to 5VDC-2A. With 2 touch buttons, it can turn ON/OFF the light, change light colors, and adjust the light luminance.

Operation



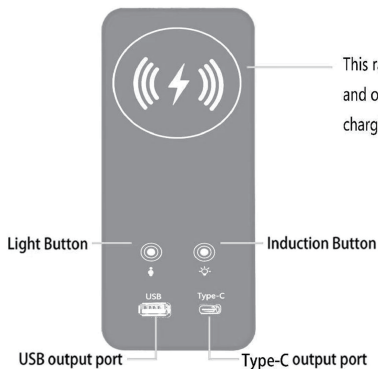
This touch button is used to turn on/off, change colors, and adjust brightness.

- A. Short touch -> lighting on -> short touch -> change light color -> short touch -> change light color -> short touch -> lighting off.
- B. Long touch -> adjust the luminance.



This touch button is used to turn on/off the induction function.

- A. Short touch to turn on the induction function. It can auto-turn on the light when people are close to the controller in 2 meters. It can auto power off the light when the body is far away from the controller after 30 seconds.
- B. Long touch to turn off the induction function.
- C. Note: When you touch the light button to change the light modes, the induction function will automatically turn off. It is best to turn on this function after selecting the light color and adjusting the brightness you want.



This range is a wireless charging area, and only mobile phones with wireless charging function can be charged.



ATTENTION PLEASE

1. If there is no touch response suddenly, Re-plug the power to reset the touch static electricity.
2. If bubbles appear on the panel, remove the protective film.
3. If you have any questions when installing, please feel free to contact us. Thank you.