

Mantel Addendum

FOR USE WITH MANTEL MODELS AF-C, AT-C AND ATC-C

1. Remove the 4 front brackets closest to the front of your fireplace insert (see Figure 1).
2. Follow the instructions included with your mantel for assembly.
3. Carefully slide fireplace insert into mantel from the back.

If you wish to anchor the insert to the base, use self-tapping sheet metal screws.

4. Install front panel onto fireplace insert.
5. Follow directions in your fireplace insert owner's manual for gas connection.

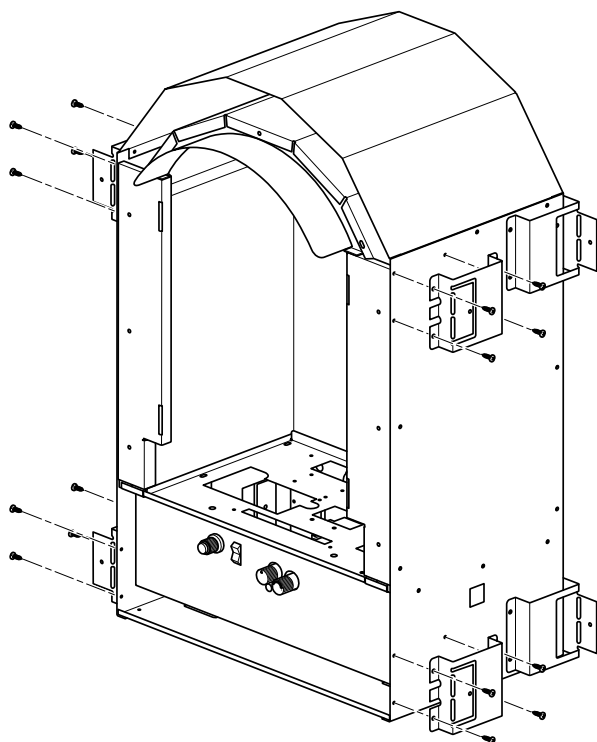


Figure 1 - Removing Front Brackets

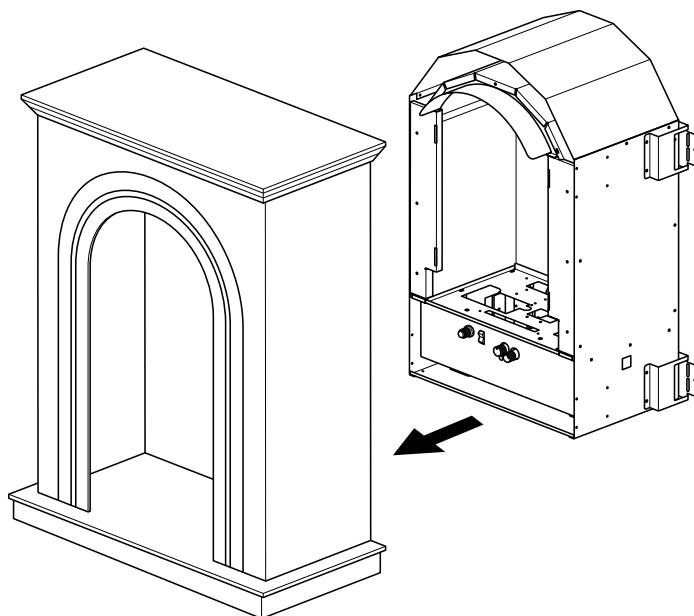


Figure 2 - Installing Fireplace Insert

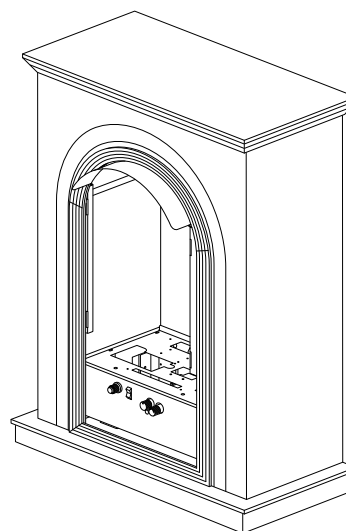


Figure 3 - Front Panel Installed



Factory Buys Direct
500 Brown Industrial Parkway
Canton, GA 30114
1-855-607-6557

200328-01
Rev. A
03/16