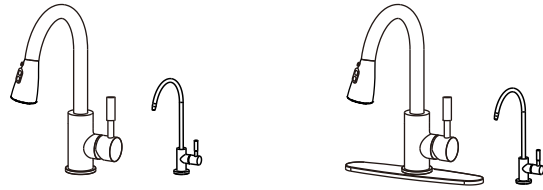


Installation instructions

2310301-L



You may need



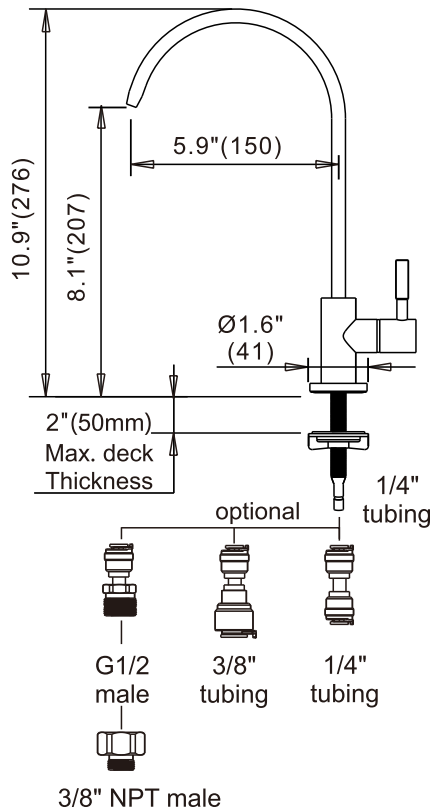
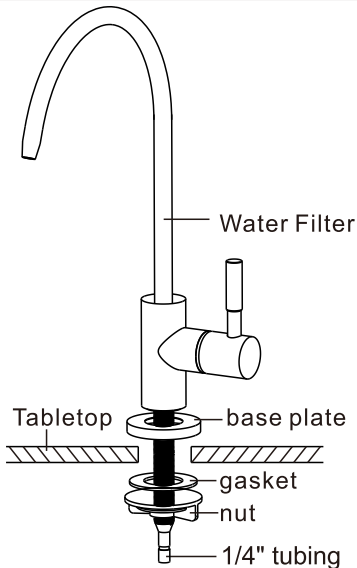
For easy installation of your faucet you will need:

To READ ALL the instructions completely before beginning.

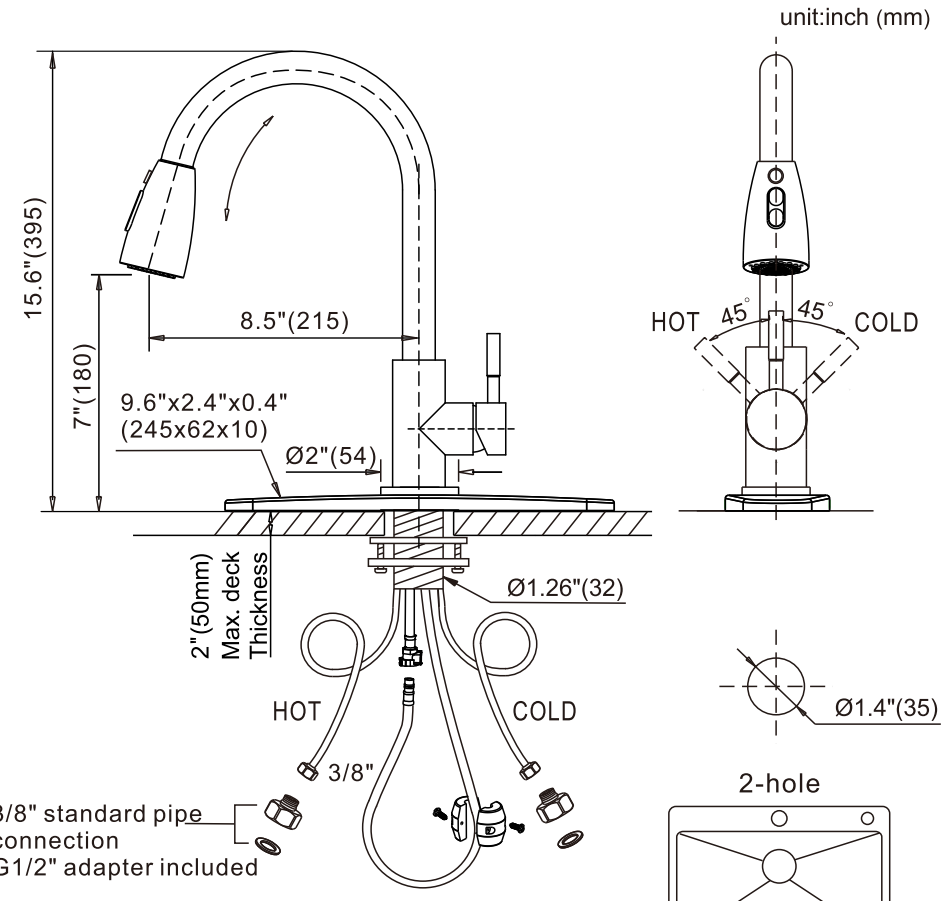
To READ ALL warnings, care, and maintenance information.

Cleaning and Care

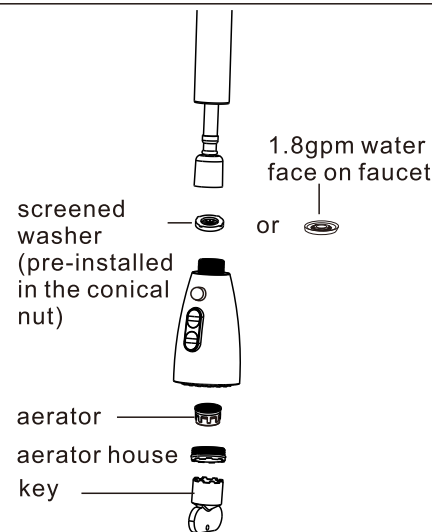
Care should be given to the cleaning of this product. Although its finish is extremely durable, it can be damaged by harsh abrasives or polish. To clean, simply wipe gently with a damp cloth and blot dry with a soft towel.



1. Make sure fasten the base plate with gasket to the Water Filter.
2. Secure the nut with gasket to fix the Water Filter.
3. Attach supply lines. you can optional the G1/2 adapter or 3/8 inch adapter included or 1/4 inch tubing or 3/8 inch tubing to your Filtration System.

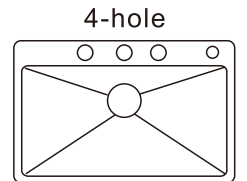
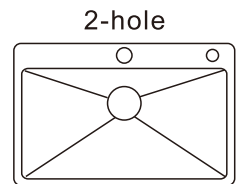
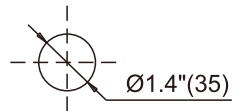
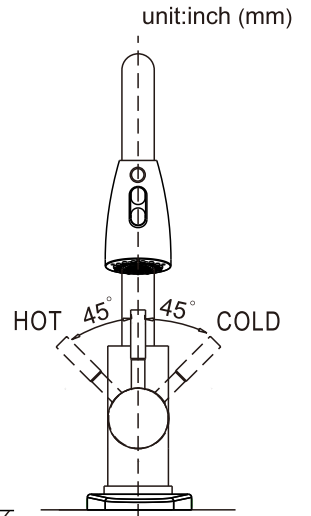


3/8" standard pipe connection
G1/2" adapter included



screened washer (pre-installed in the conical nut)

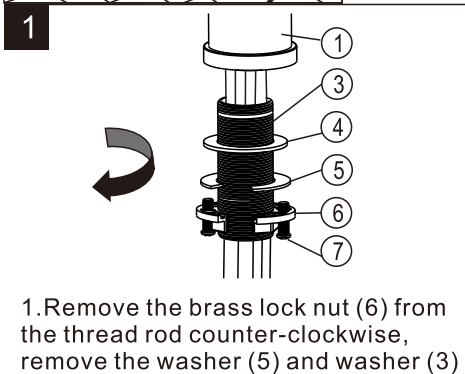
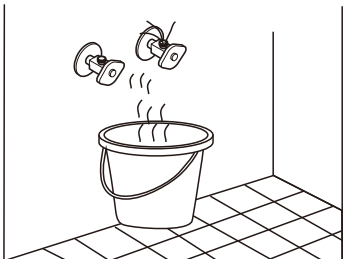
aerator
aerator house
key



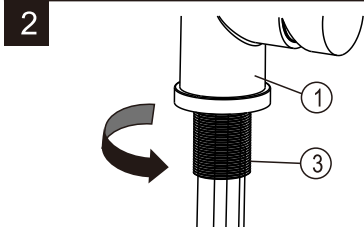
With 1.8 gpm are compliant with California water efficiency regulations, Complies with California Proposition 65 and with the Federal Safe Drinking Water Act.

Water Use Information:
1.8 gpm 6.8L/min,
You can choose to replace the current limiting device and face the water pipe square.

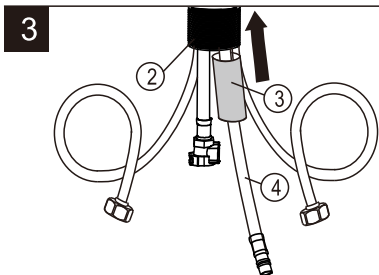
Before installing the valves, clean the water pipe thoroughly to avoid dirt and deposits.



1. Remove the brass lock nut (6) from the thread rod counter-clockwise, remove the washer (5) and washer (3)

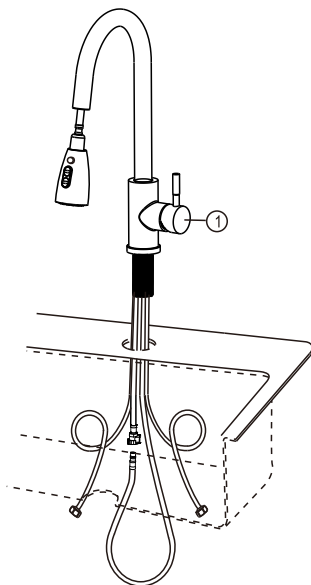


1. Make sure fasten the thread pipe (3) to the base of the faucet body clock-wise.



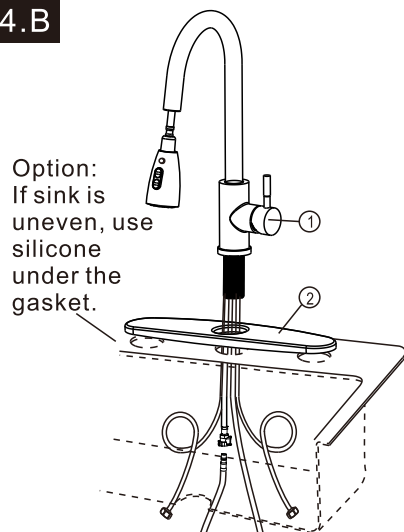
1. Insert the ring (3) into the pull-down hose (4) and slide it into the thread pipe (2).

4.A



1. Slide tubes down through mounting hole and faucet on sink.
Option: If sink is uneven, use silicone under the gasket.

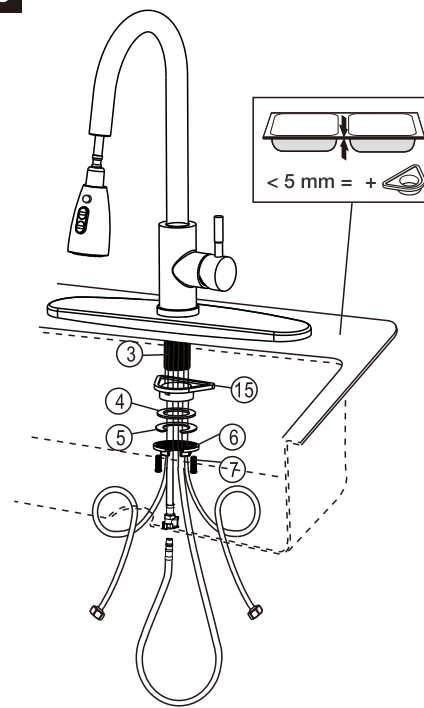
4.B



Option: If sink is uneven, use silicone under the gasket.

1. Slide 10" decorated plate with gasket (2) up over tubes and mounting stud.
Slide tubes down through mounting hole and faucet, 10" decorated plate with gasket (2) on sink.

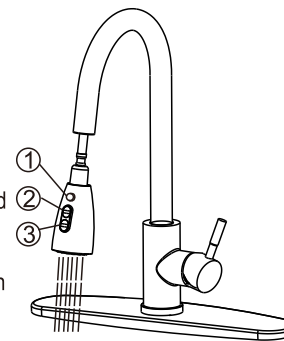
5



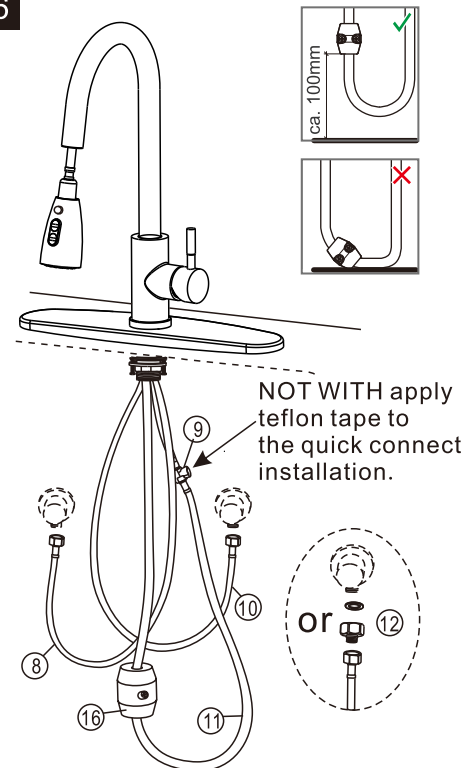
1. Use the triangle fastener (15) when the thickness of sink < 5mm.
2. Place Triangle fastener (15) and washer (4) and metal plate (5) over mounting stud (3) under sink.
Secure with mounting nut (6), tighten the screws (7) to fix the faucet body

7

model 1: Aquablade Sweep
model 2: Standard Flow Aerator
model 3: Spray water flow pattern changed to flow aerator when the water is turned OFF.



6



1. Attach pull-out hose (11) on quick connects (9).
Press the quick connects firmly.
2. Attach weight ball (16) to pull-out hose (11)
Make sure the pull-out hose is not blocking by other objects and not touching the ground.

The appropriate height for gravity ball installation is 100mm.
3. Attach supply hot (8) and cool lines (9).
4. If the angle is G1/2", please use G3/8" standard pipe connection G1/2" adapter included (12).
Do not overtighten. Turn water back on.

Check for Leaks
Turn on water and check all connections at arrows for leaks. Refer back to the appropriate installation instructions and retighten if necessary.

The sprayer can be removed by pulling directly out from the spout.