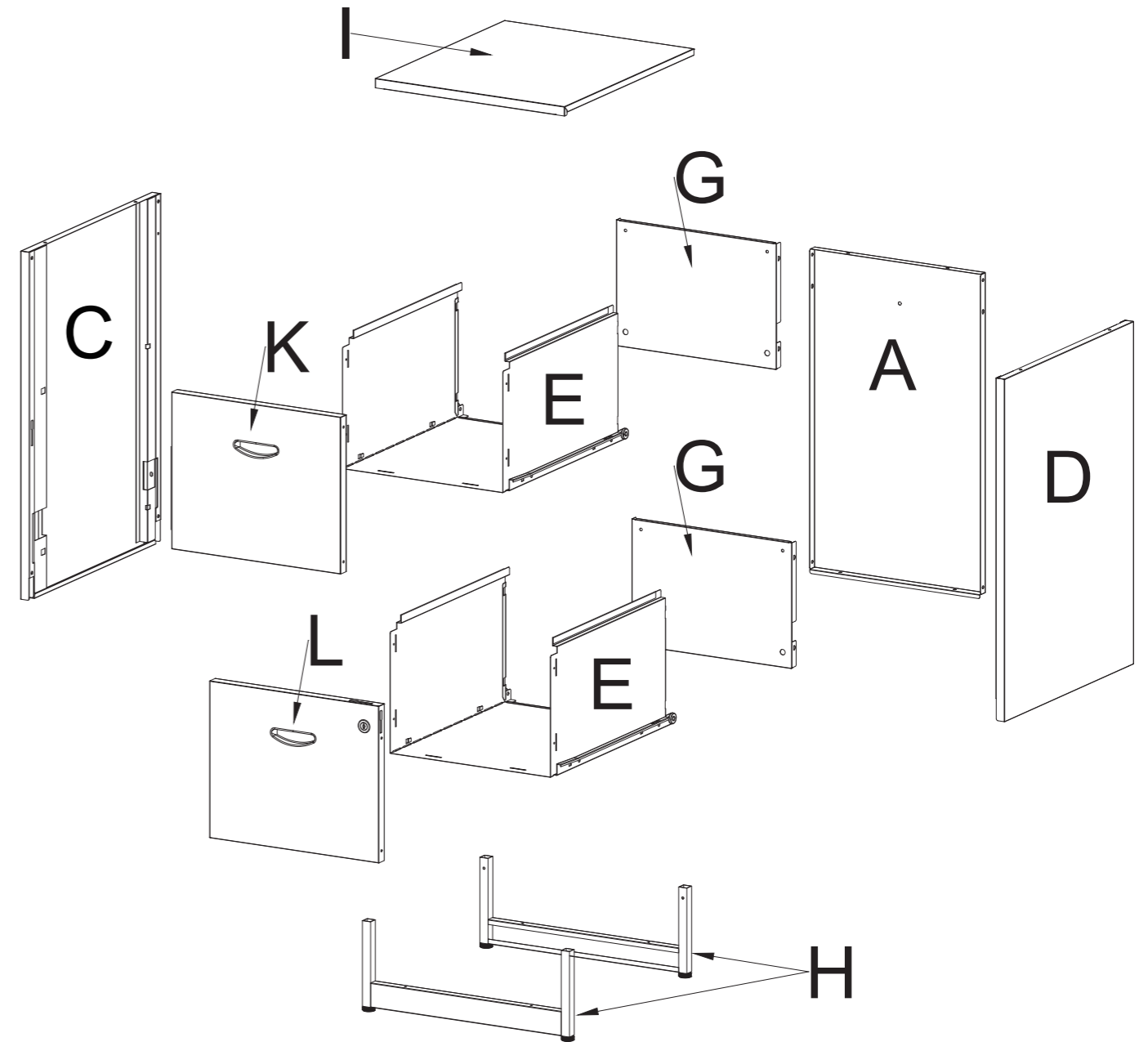
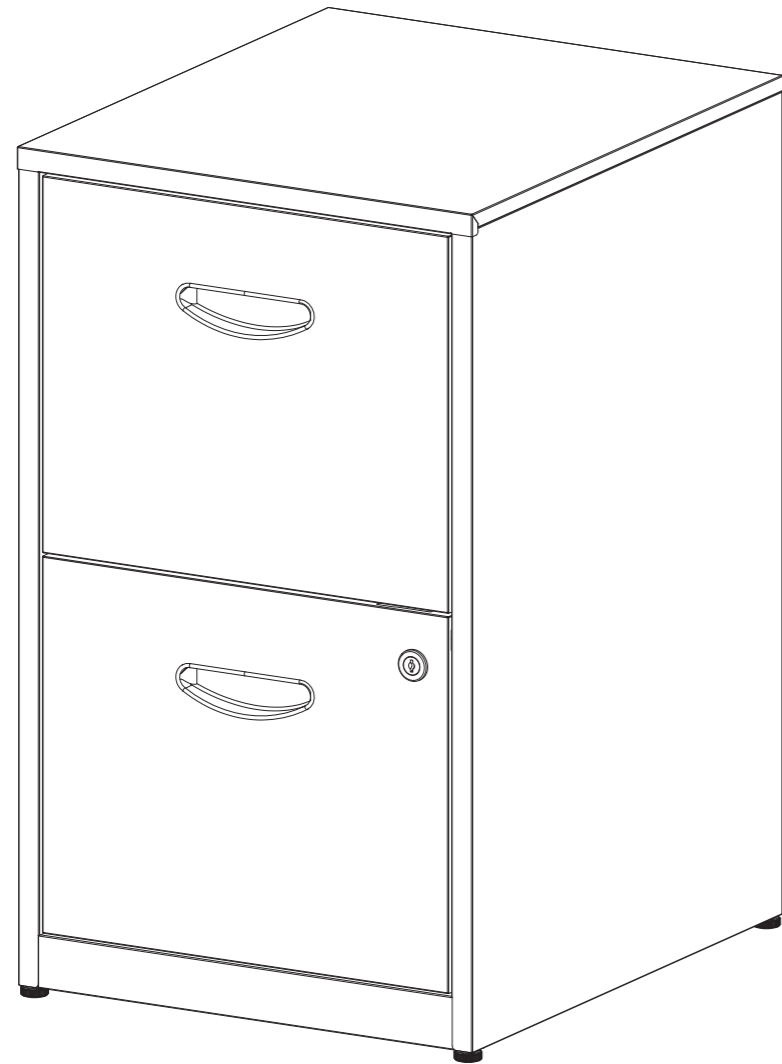


# 2 DRAWERS LIGHT-DUTY CABINET USER MANUAL

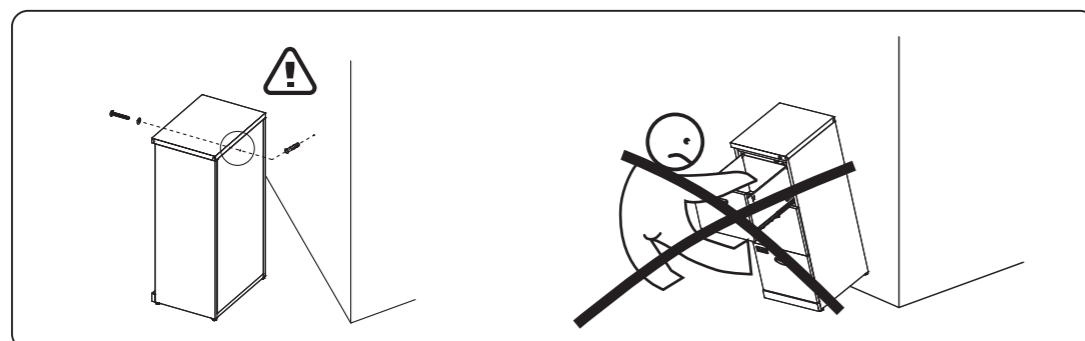
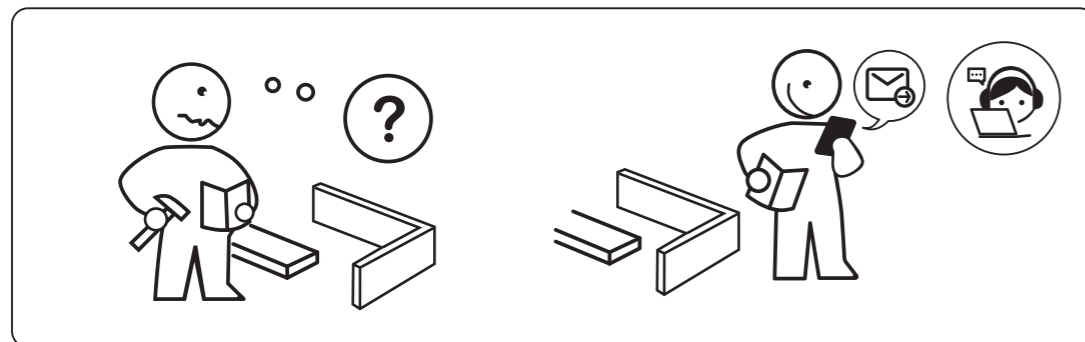
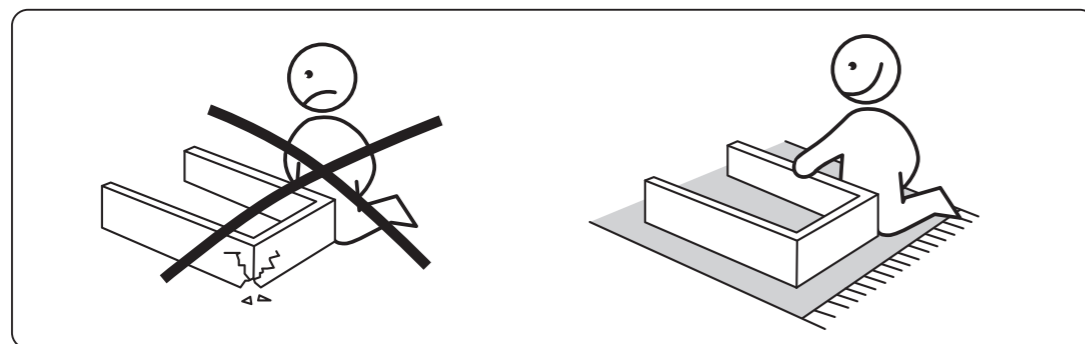


Please read the user manual carefully or refer to the installation instructions on the product details page. Thank you!

# USE PRECAUTIONS

**⚠ WARNING: TO PREVENT SERIOUS INJURY AND DEATH FROM TIPPING:**

1. This product is not a toy. Do not allow children to play with or approach this item.
2. Use as intended only. Do not sit or stand on the product.
3. Inspect before every use. Do not use it if parts are loose or damaged.
4. Use on flat, level, and hard surfaces only.
5. Do not exceed the listed weight capacity. Tighten all knobs securely before applying load. Be aware of dynamic loading! The sudden load movement may briefly create an excess load, causing product failure.

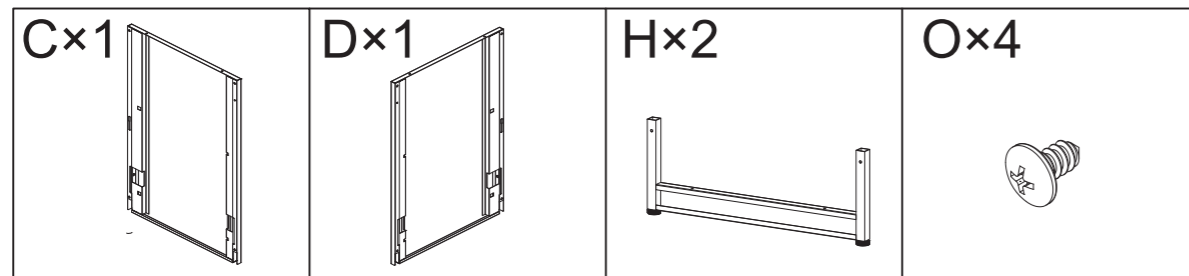
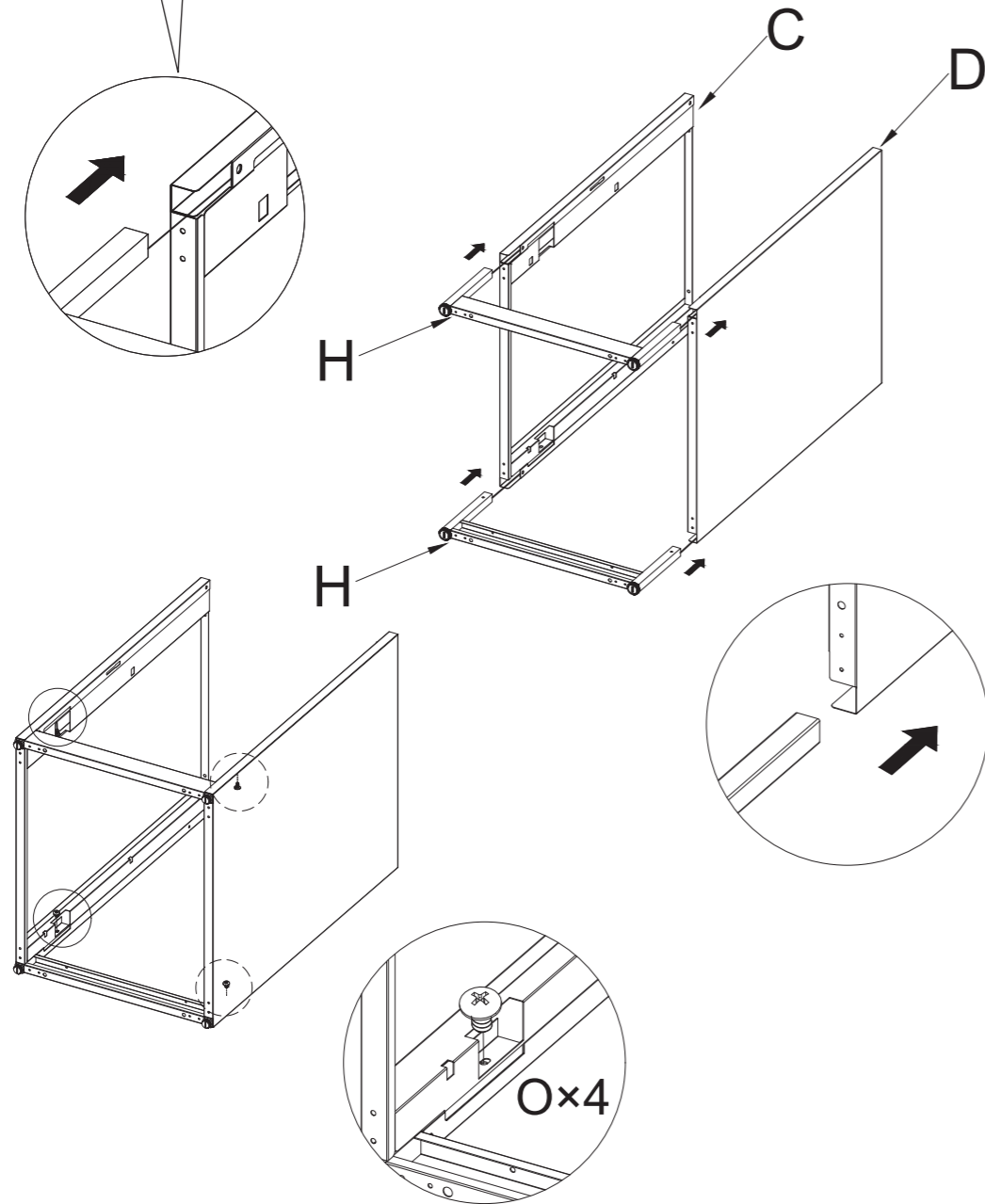


# PARTS LIST

A×1 	C×1 	D×1 		
E×2 	G×2 	H×2 		
I×1 	K×1 	L×1 		
DL×2 	DR×2 	O×22 	P×1 	R×1 
CL×2 	CR×2 			

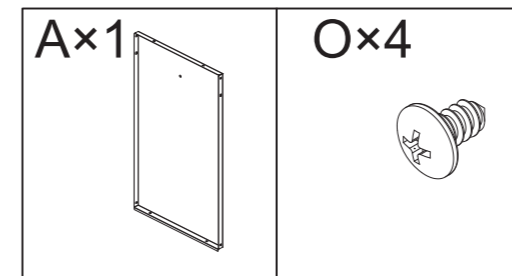
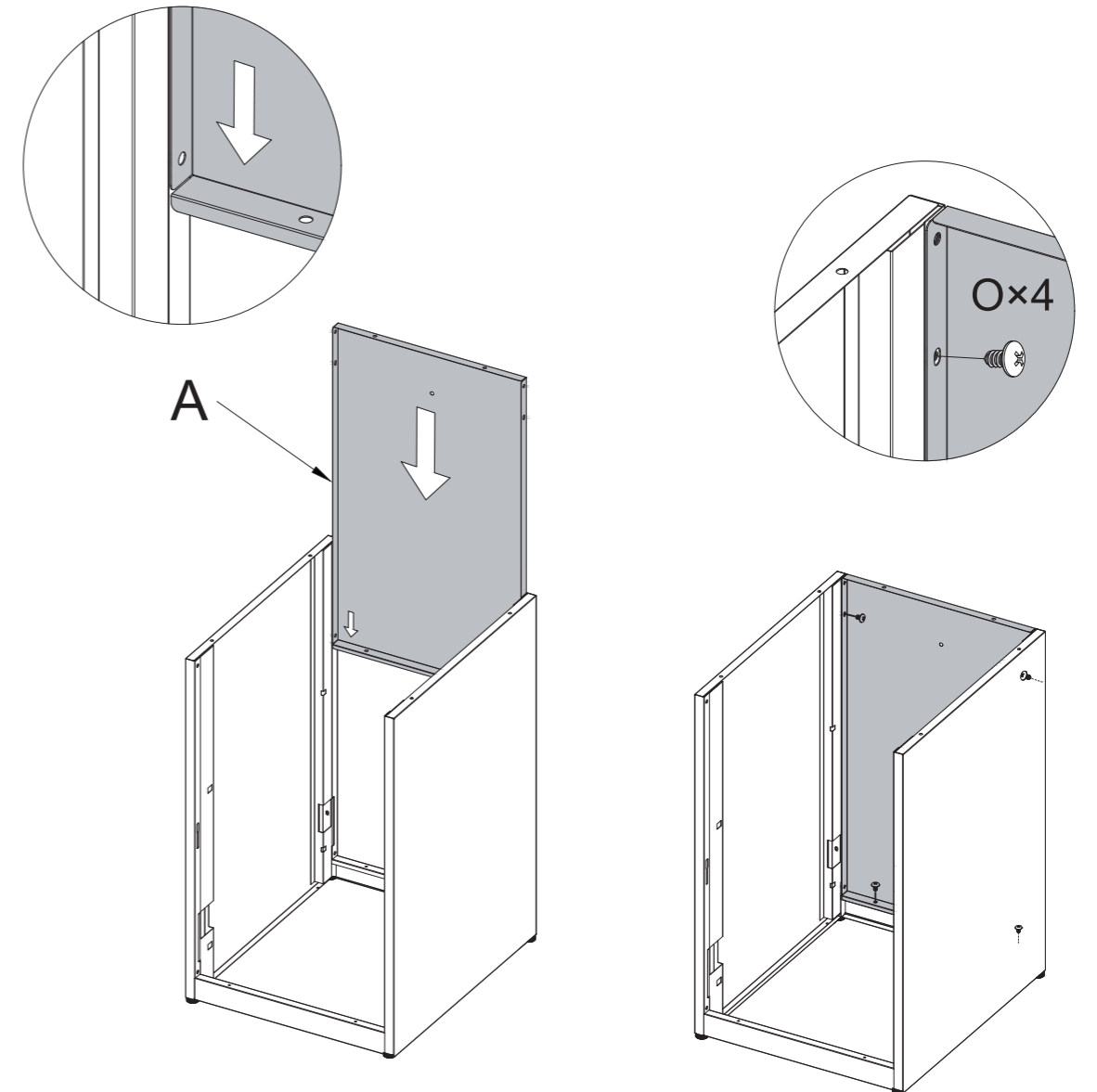
# step 1

Insert the parts H into the bottom openings of side panels C and D. Then drill 4 screws in each side.



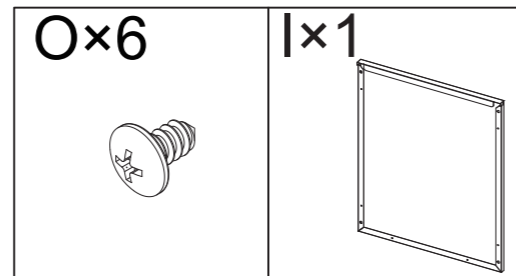
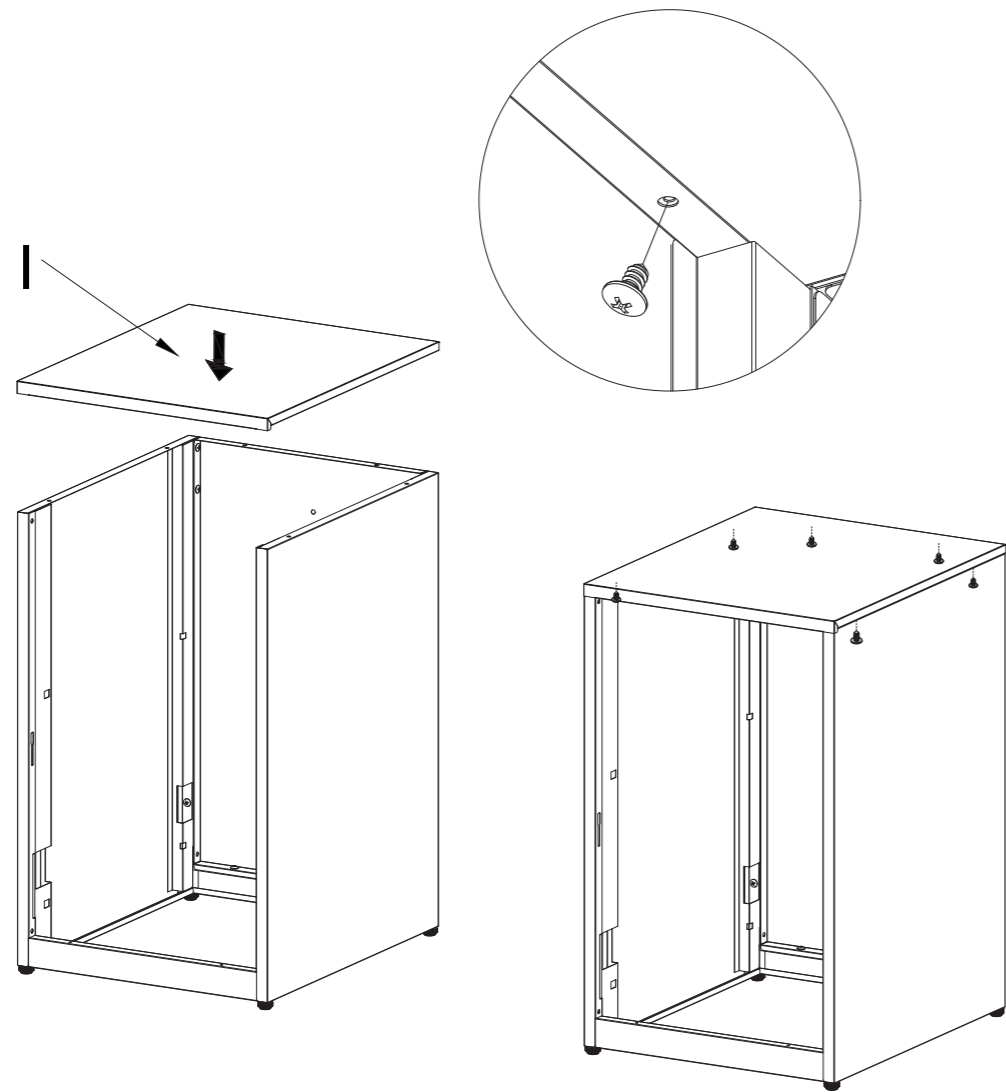
# step 2

Insert back panel A to from the rear and drill 4 screws.

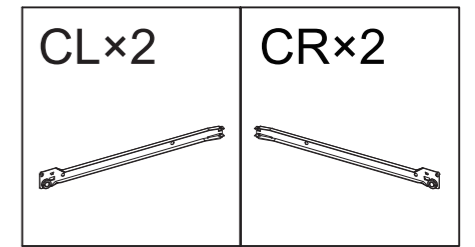


# step 3

Put the panel I on the top, then drill 6 screws inside.



# step 4

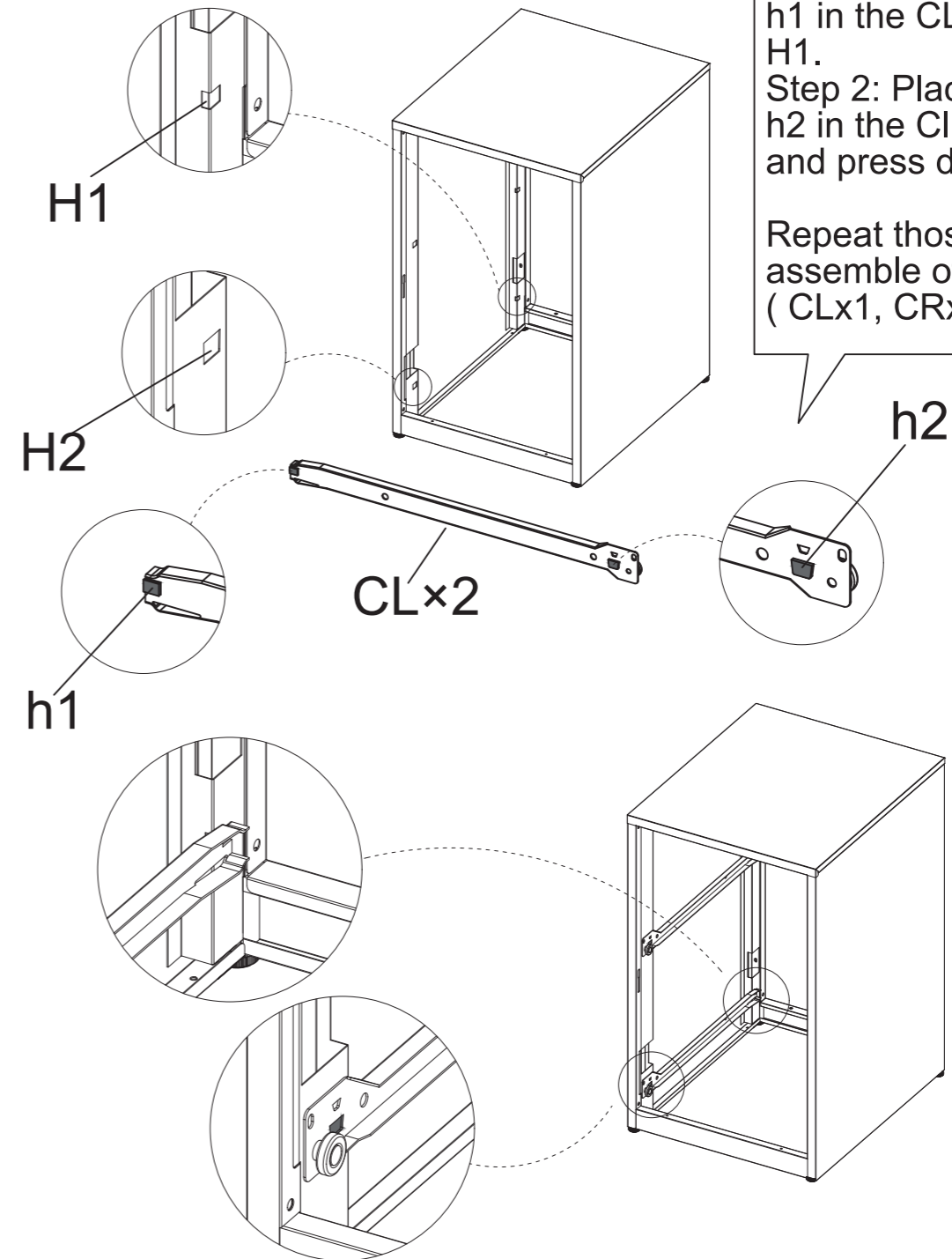


Use CL as a example.

Step 1: Insert the buckle h1 in the CL to the hole H1.

Step 2: Place the buckle h2 in the CL to hole H2 and press down.

Repeat those 2 step to assemble other rails.  
( CLx1, CRx2)



# step 5

## ⚠ WARNING

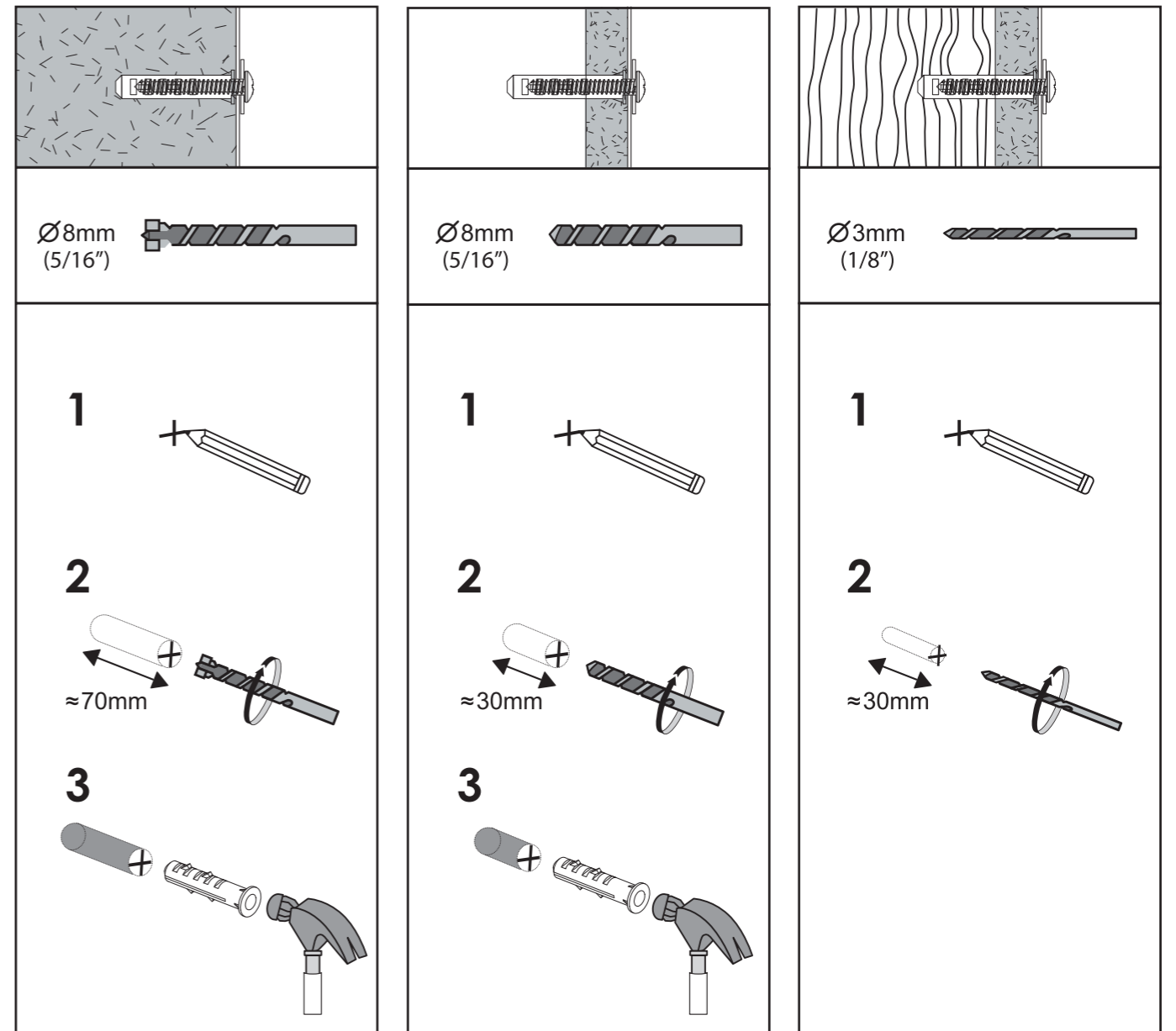
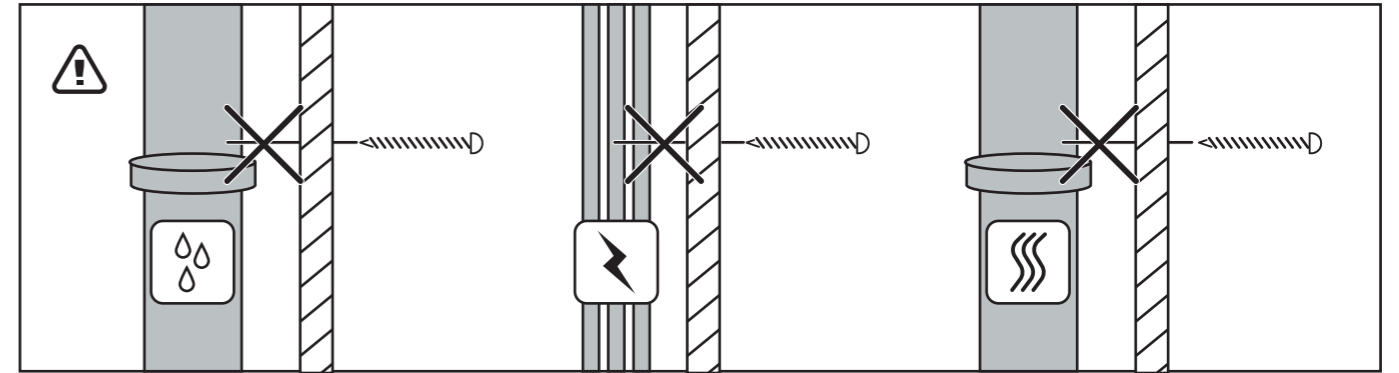
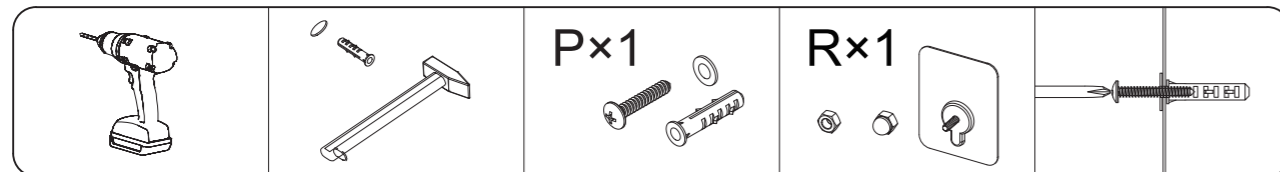
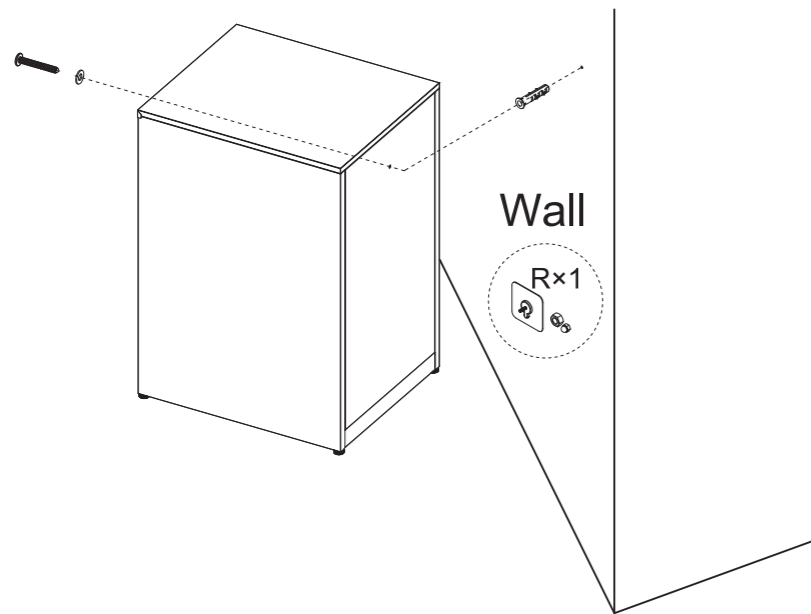
Serious or fatal crushing injuries can occur from the tip-over. To prevent this cabinet from tipping over, it must be permanently fixed to the wall with the included wall attachment device provided. There are 2 choices provided to prevent tip-over:

① The part P is recommended to be used for permanent and solid installation. For solid wood use the screw(s) without plug(s). Assess the suitability of the wall to ensure that it will withstand the forces generated. Use screw(s) and plug(s) suitable for your walls and the intended load.

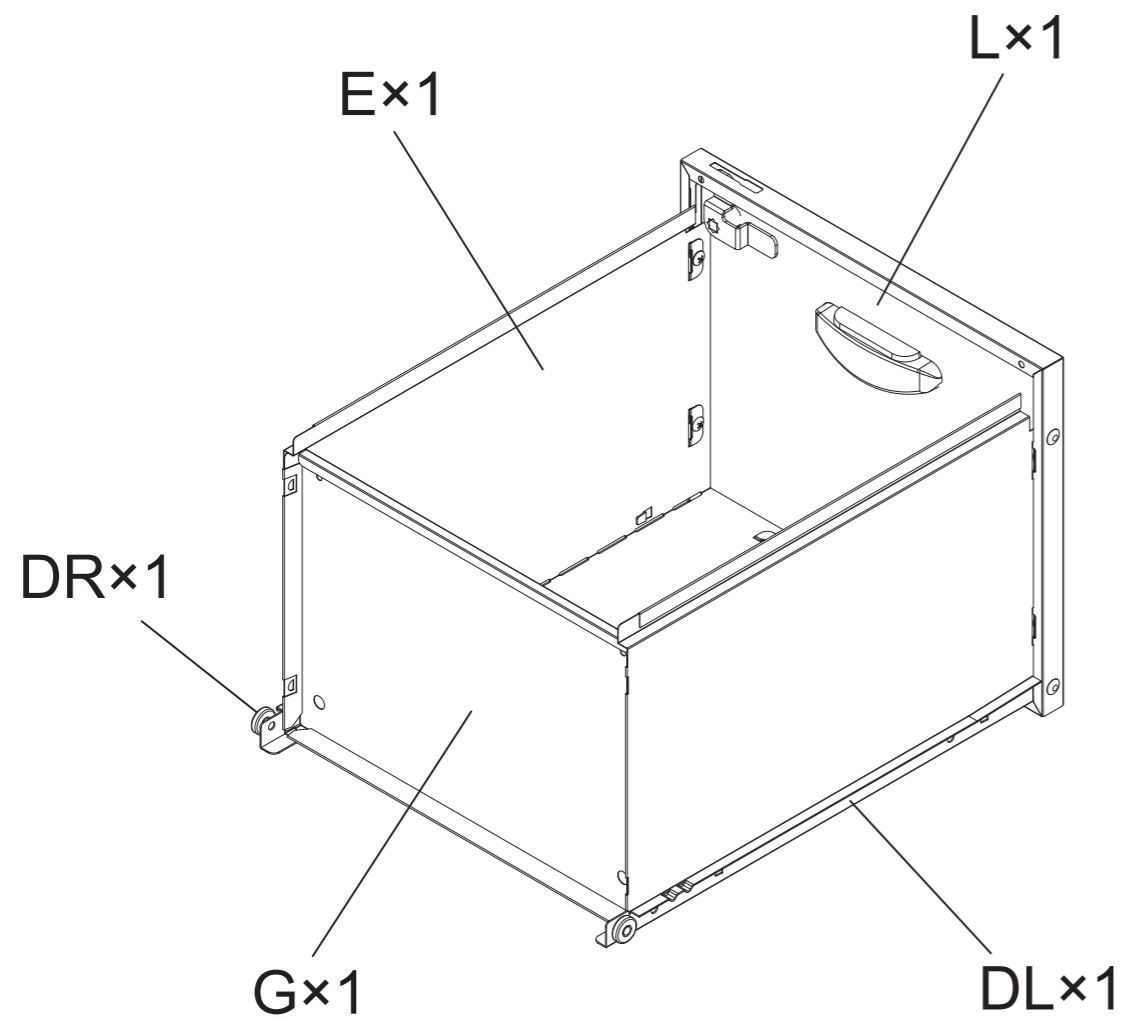
② If you don't want to destroy the wall, you can choose part R, but it only works well with flat surface such as glass and tile.

③ The loading weight limit is 13.4kg/30lbs per drawer. Please never try to sit or stand on the cabinet because it can cause serious danger.

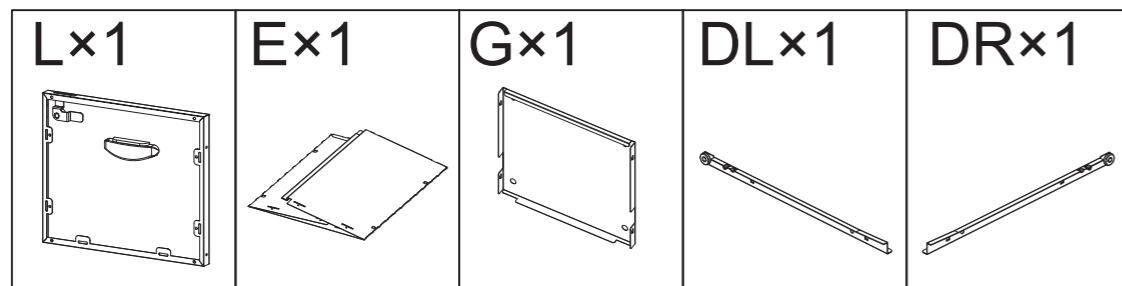
Please be thoughtful by choose either of the method. If you are uncertain, please seek professional advice.



# Instructions for installing drawers

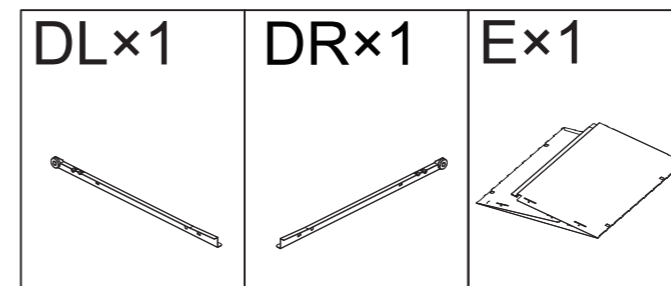
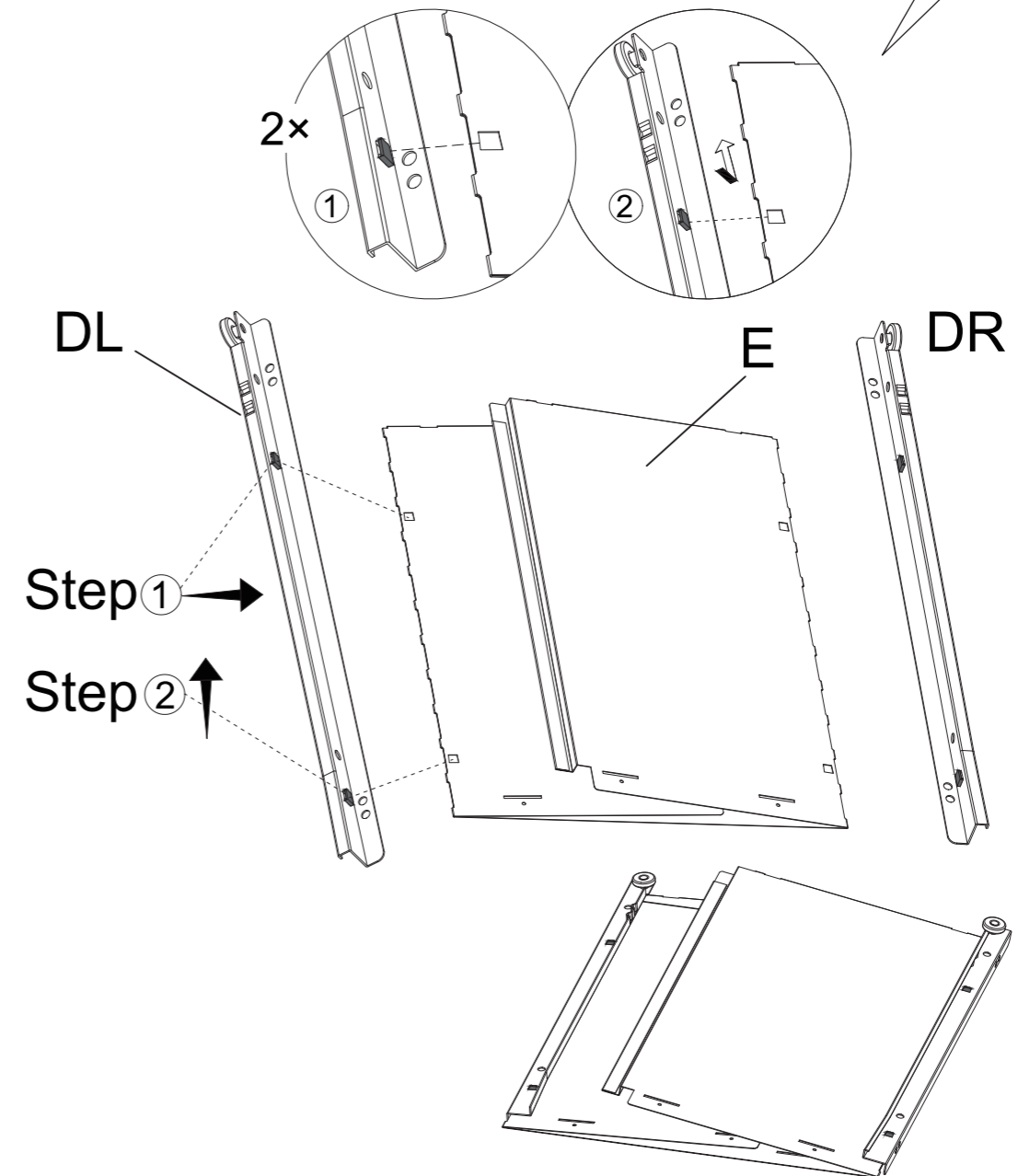


The bottom drawer



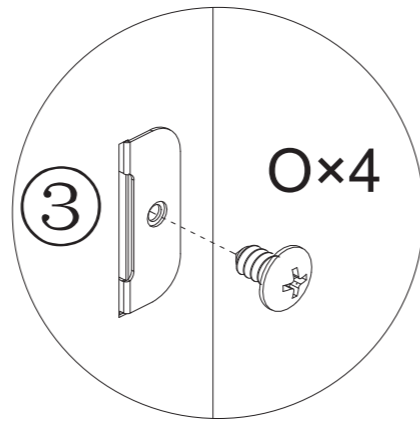
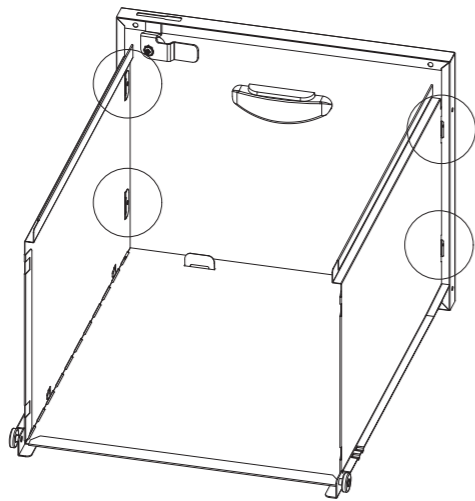
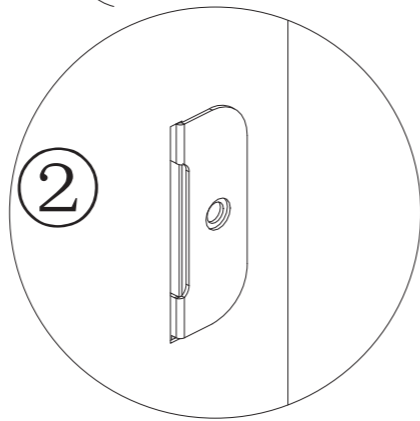
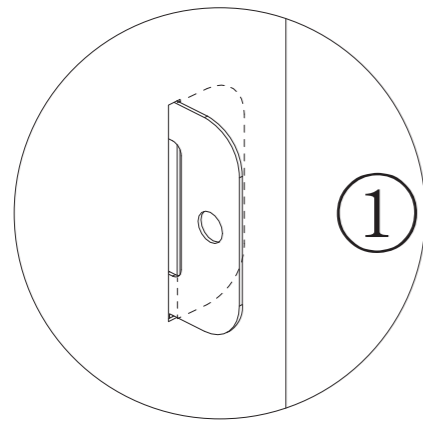
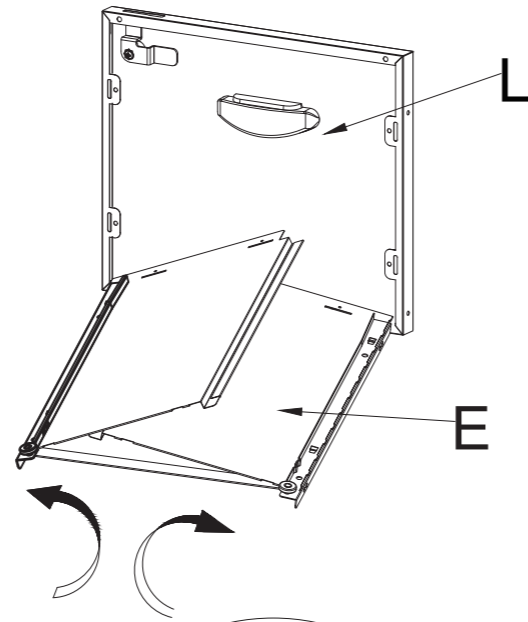
## step 6

- ① Attach panel E to the DL and DR by following the step ①.
- ② Push DL&DR up by following the arrows.



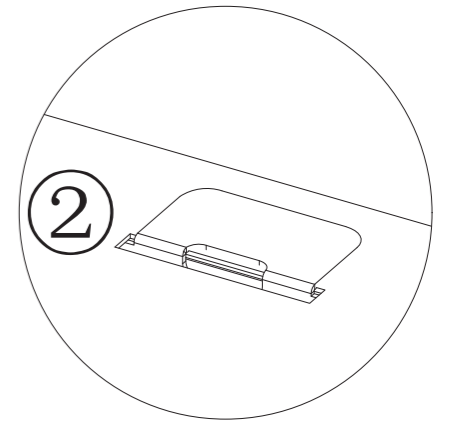
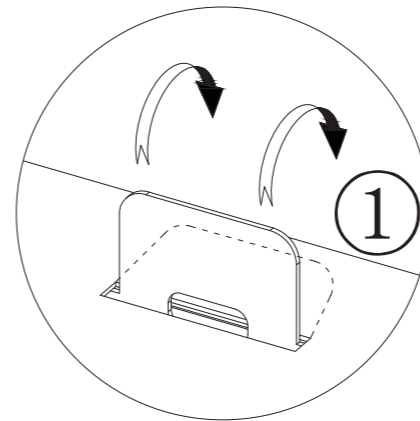
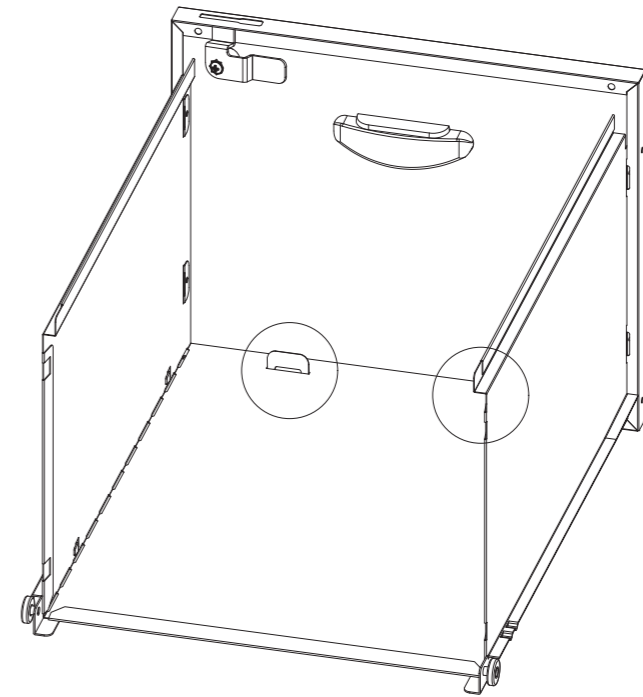
# step 7

- ① As shown in the figure, place the part E into the slot of part L and slightly turn it left and right.
- ② Make sure the part E and part L are locked together, then press down the tabs inside and drill screws.




E×1	O×4	L×1

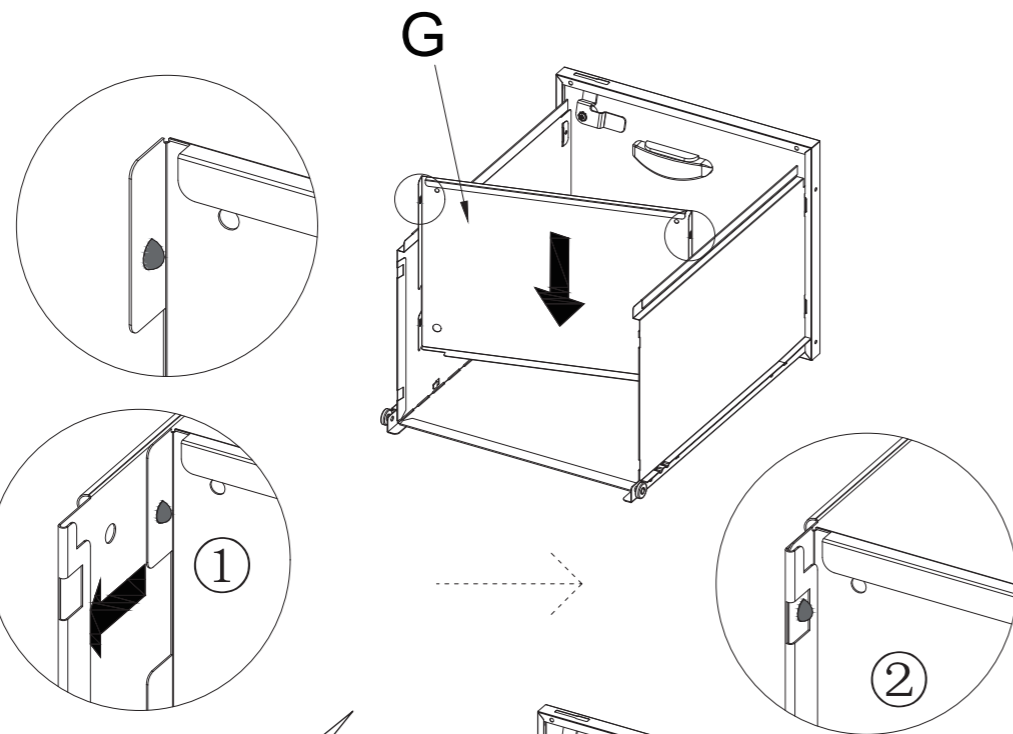
# step 8



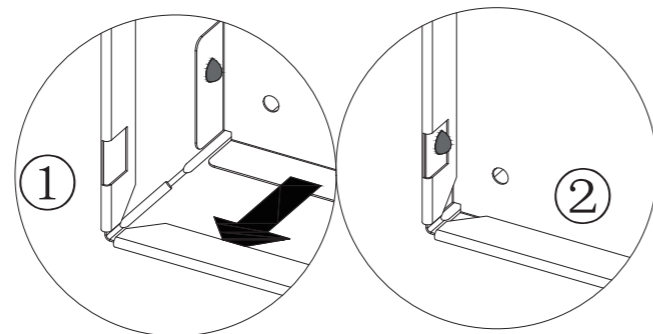
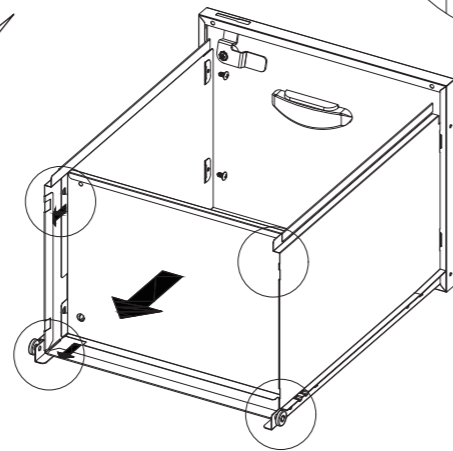
Don't forget to push these 2 tabs down at the bottom parts.

## step 9

 The panel G is placed with panel K or L together. If you find the panel G is hard to take out, please scan the QR code and watch the guide video.



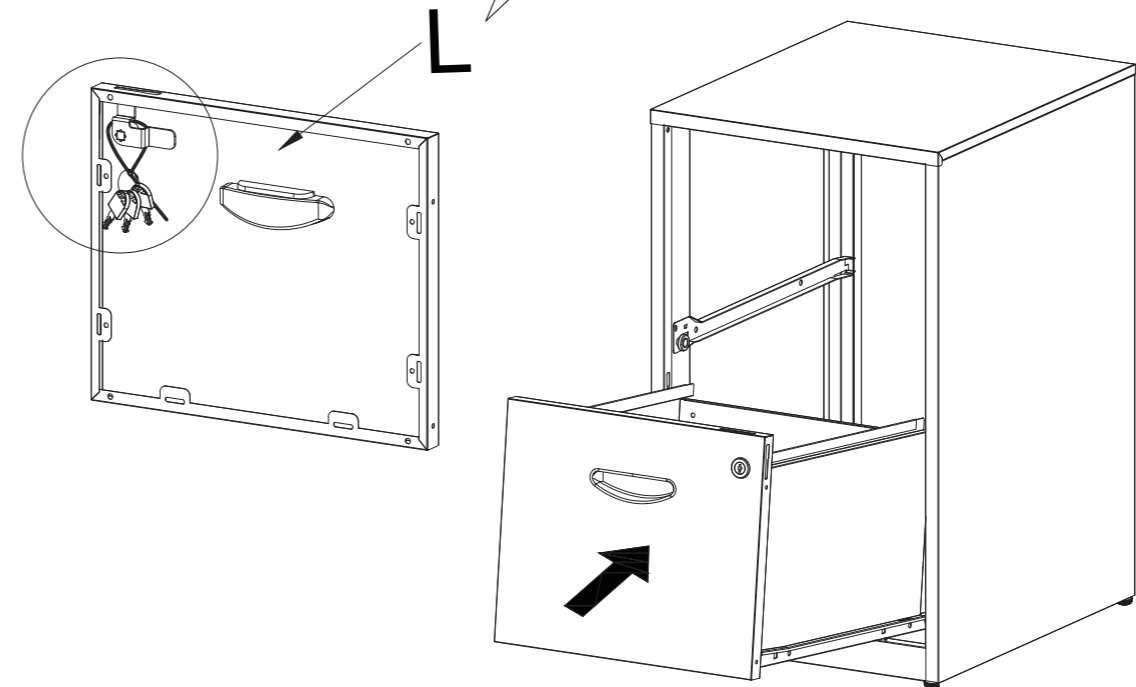
Insert part G from the top and push it down by following the arrow. Please make sure the convex parts of panel G are fully inserted to the bottom of panel E.



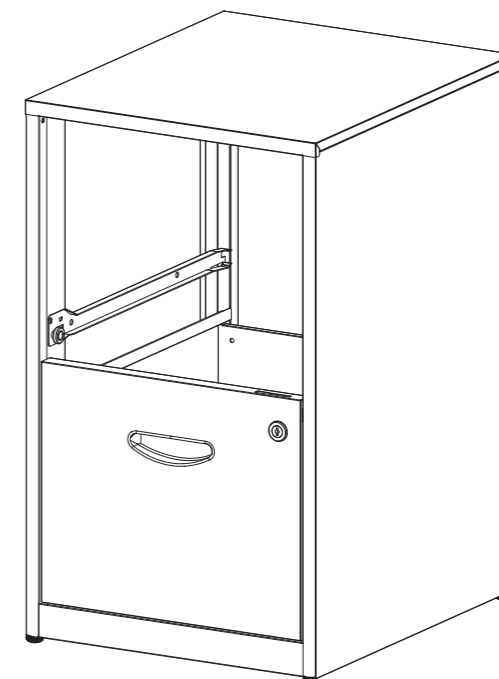
G×1

## step 10

Take out the keys before installing drawer.

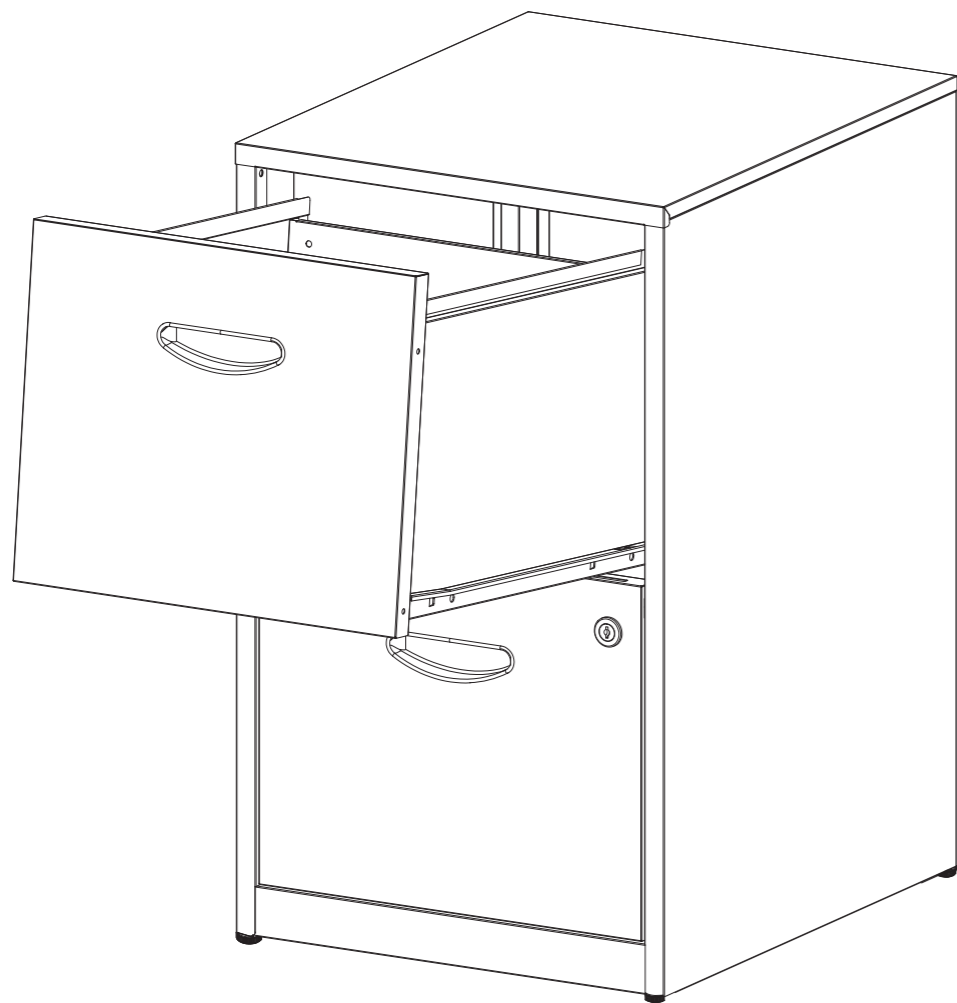


When place the drawer to the cabinet, please lift up one side of the drawer firstly. Then place the roller on DL&DR to the runner of CL&CR.



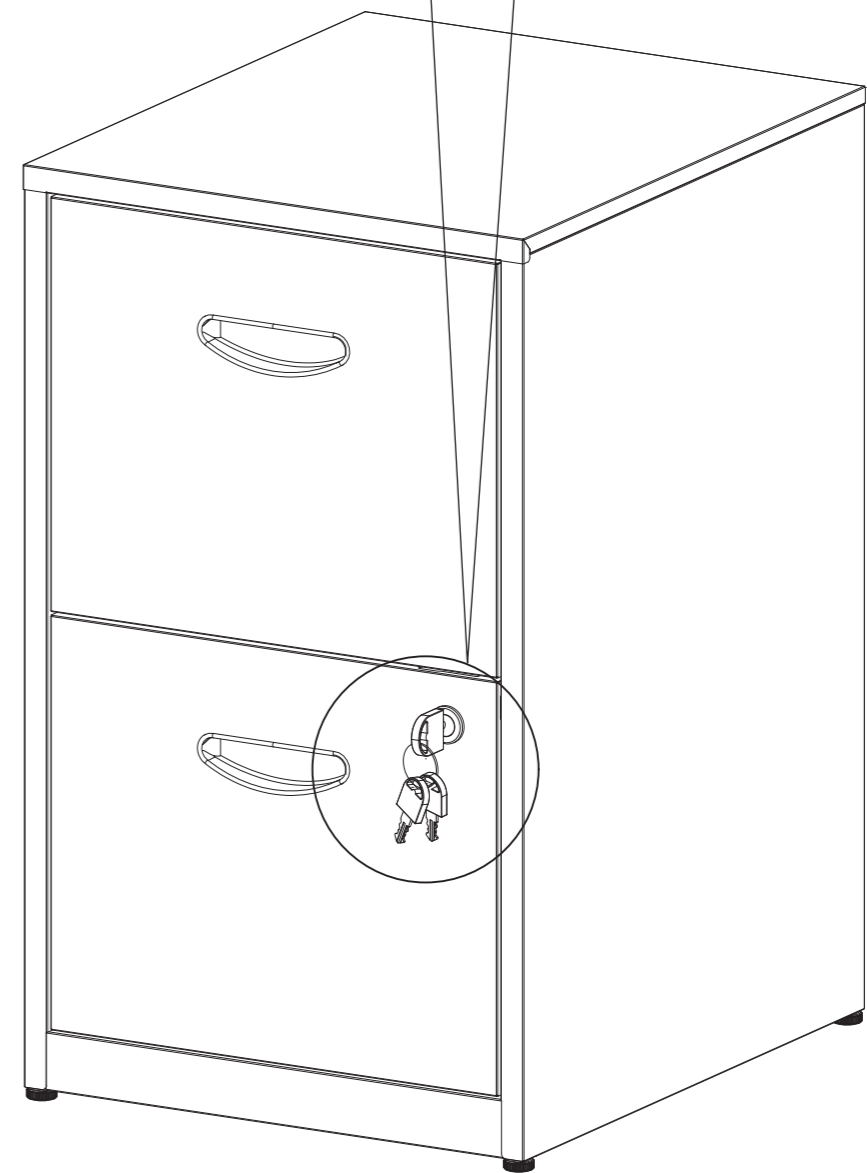
# step 11

To install the another drawer, please repeat step 6、 7、 8、 9、 10.  
Thank you!



# COMPLETION

Turn the key clockwise 180° to lock the drawer.



**⚠ Caution**

1. The loading weight limit is 13.4kg/29.5lbs per drawer.
2. It's recommended to place heavy items in the lower drawer to prevent the upper drawer from tipping when opened.

## Cleaning

- For cleaning, wipe the surface with a damp (not wet) cloth or wipe dry with a clean lint free cotton cloth.
- Window cleaning liquid or a similar cleaning liquid can be used to clean the surface.

