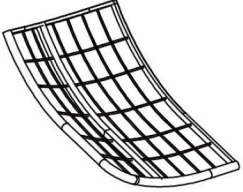

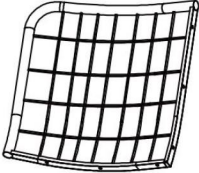


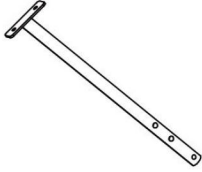

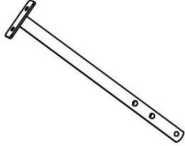
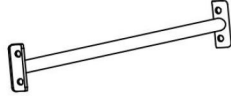

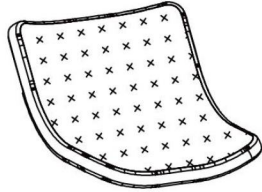

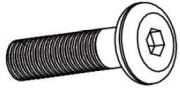
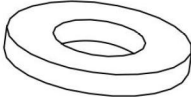



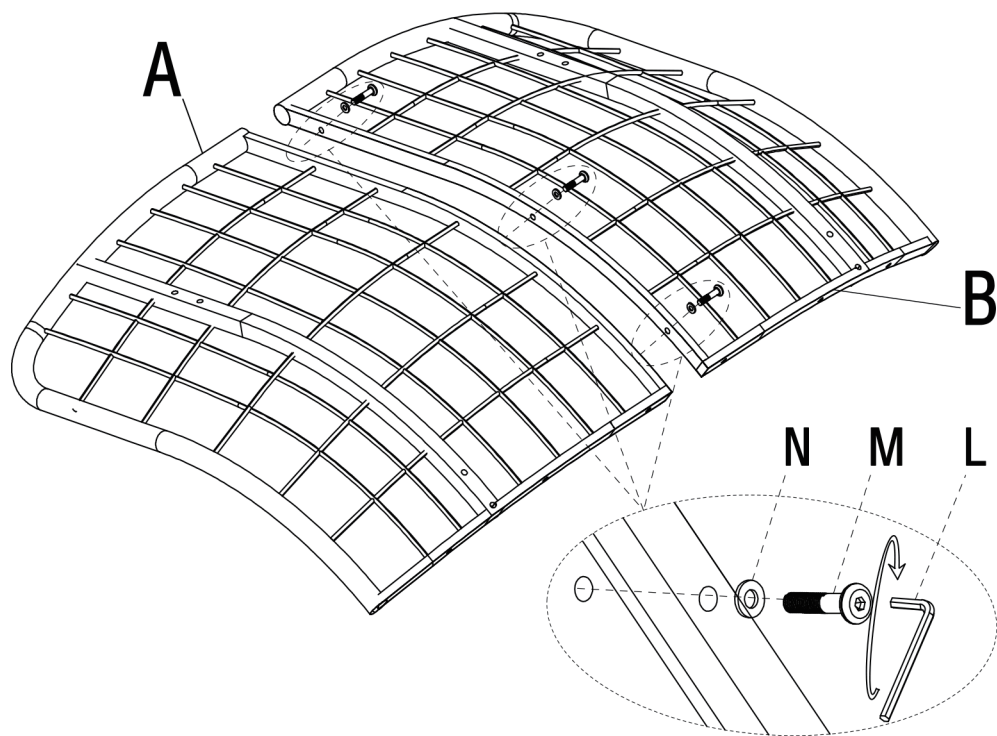




# PARTS LIST

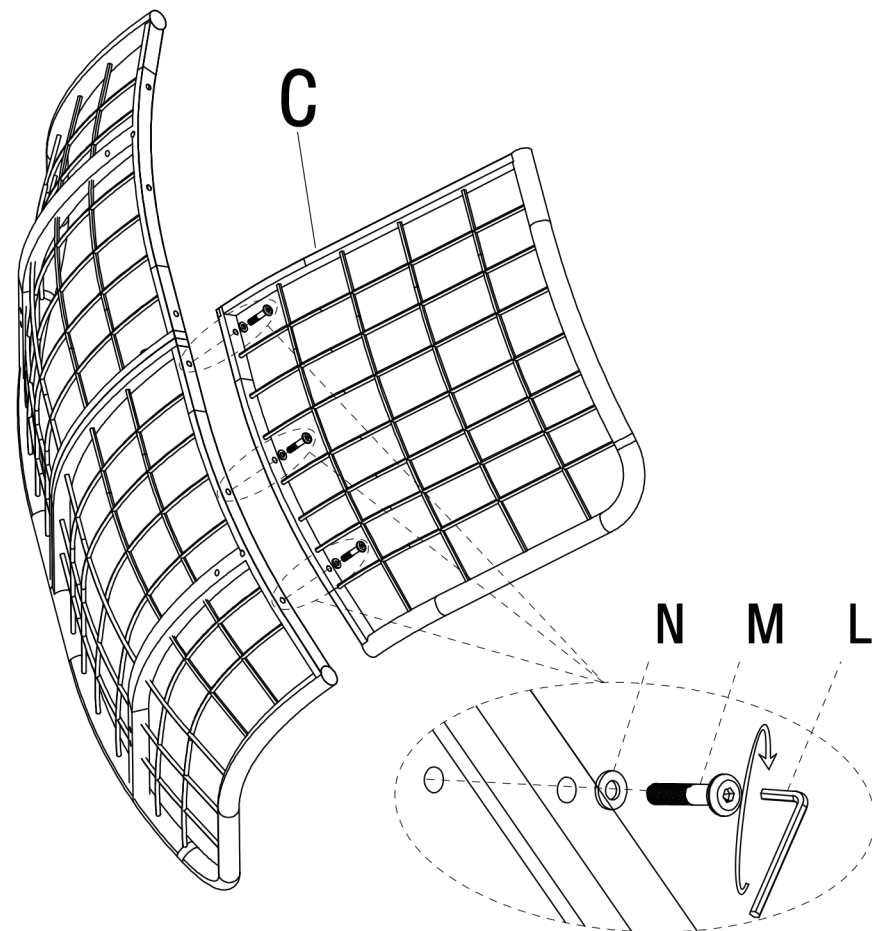
A	B	C	D	E	F
					
X1	X1	X1	X1	X1	X1
G	H	I	J	K	
					
X1	X1	X2	X2	X1	
L	M	N	O	P	Q
	 M6*35	 M6	 M6*15	 M8*40	 M8
X1	X12	X28	X16	X4	X4

Step 1



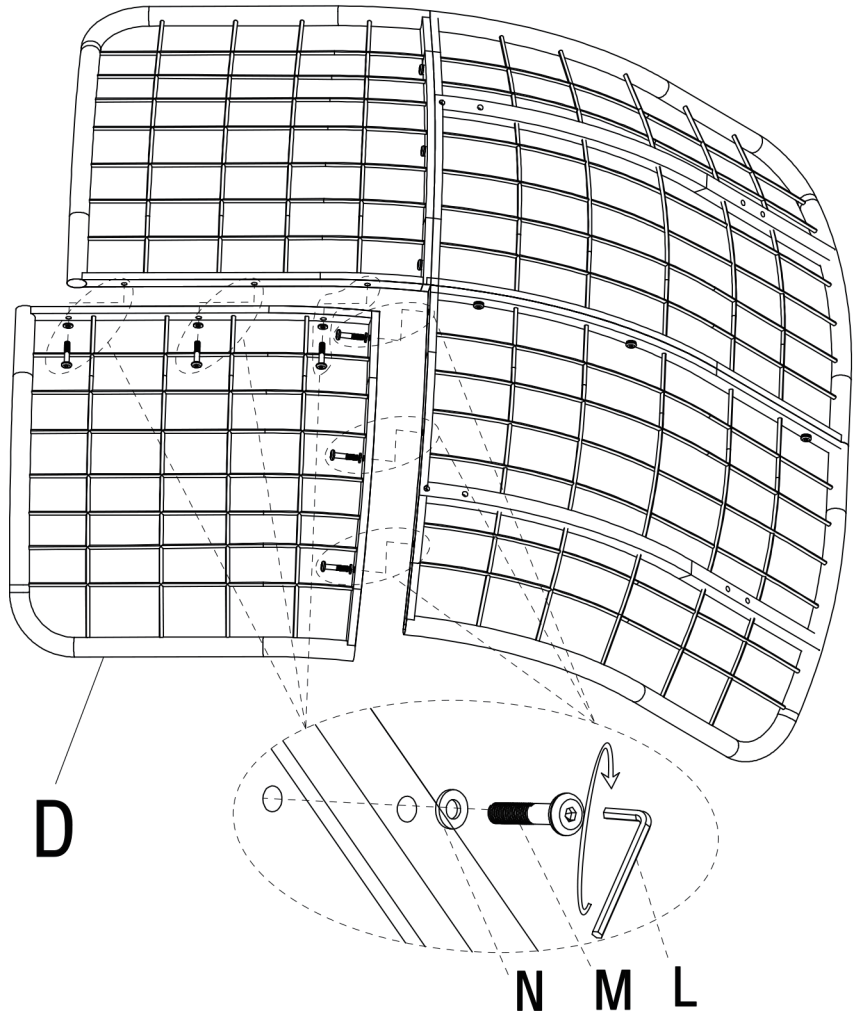
**Screw the screws in half**

Step 2



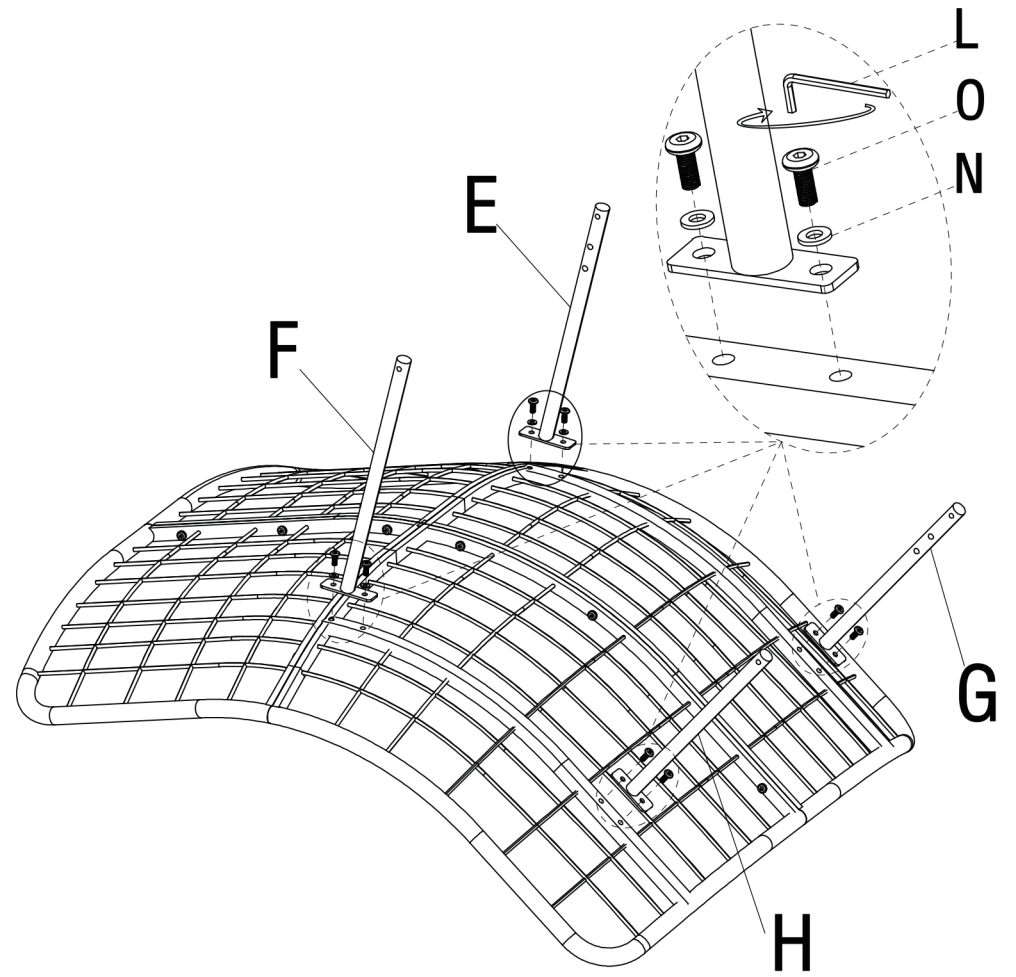
**Screw the screws in half**

### Step 3



**Screw the screws in half**

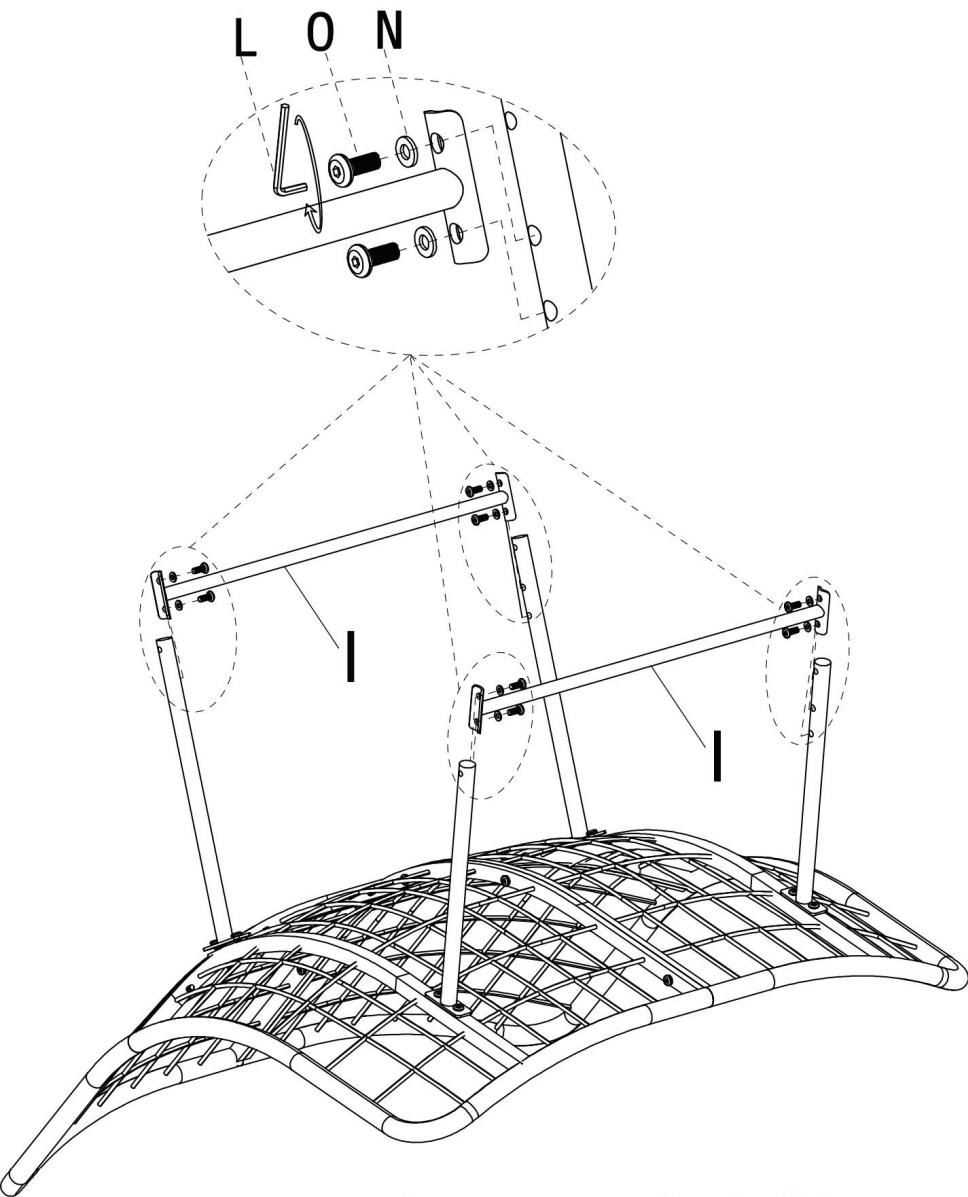
### Step 4



**Screw the screws in half**

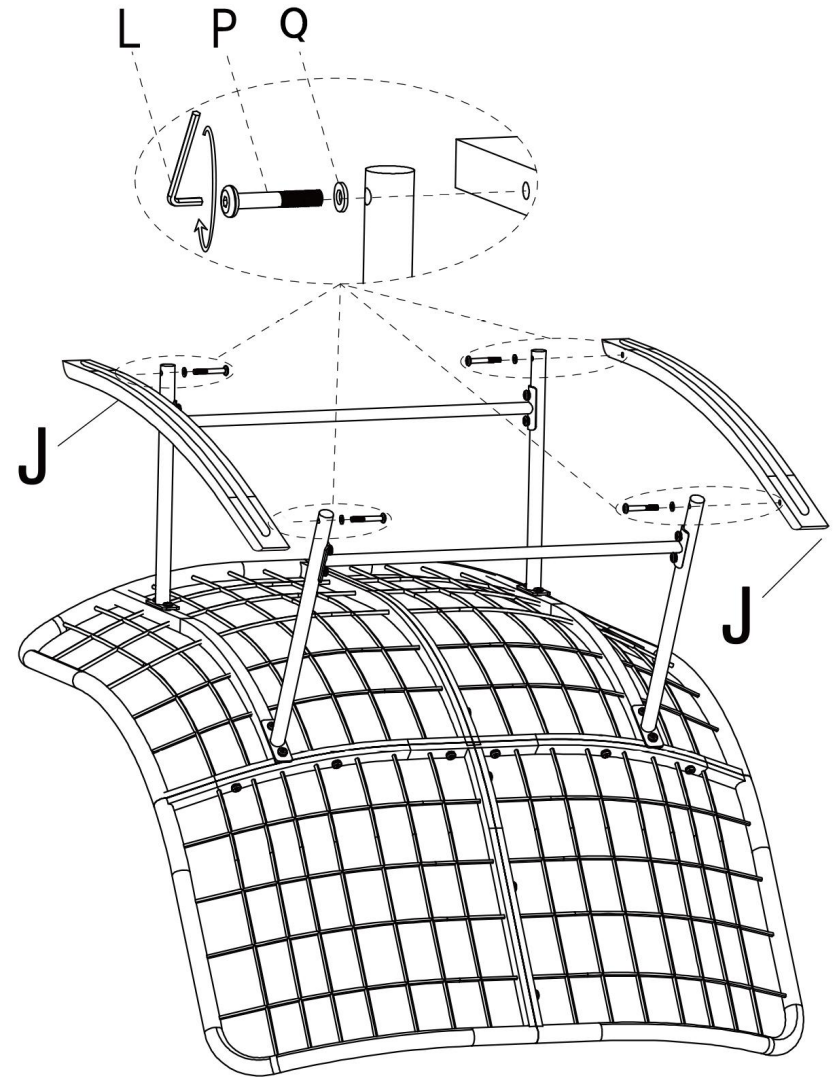
**NOTE: Don't fully tighten the screws yet—this might make the J-hole misaligned later. Wait until all holes line up perfectly before tightening each screw completely.**

## Step 5



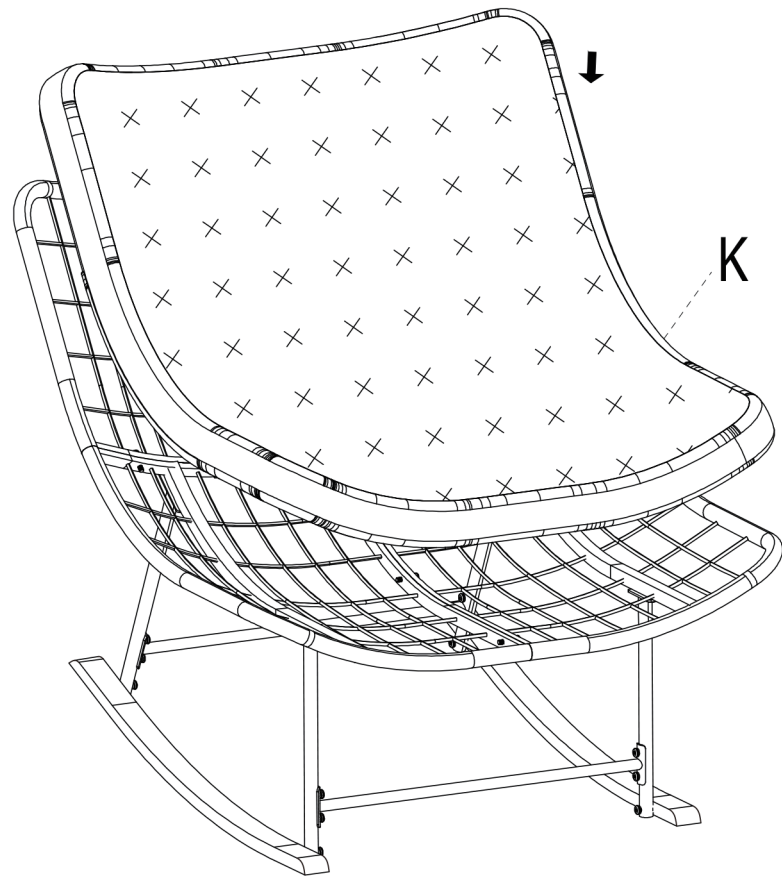
**Screw the screws in half**

## Step 6



**Check all screws and tighten  
Screw the screws in half them  
all**

Step 7



Step 8

